

LOOSE FURNITURE - SEATING



Deccan Manor, Ground Floor
Kashinath Dhuru Marg
Near Siddhivinayak Mandir
Prabhadevi, Mumbai, 400025
abm@abmarchitects.com



PROPOSAL_V2

updated on 19.04.24

PROJECT	T1 LOUNGES - DOMESTIC LOUNGE PHASE 2
ISSUE DATE	JANUARY 22, 2024
VERSION	1

Notes:

1. All materials and methods of construction must comply with India local fire & life safety codes and ABM standards.
2. Must be of contract quality and suitable for commercial use.
3. Manufacturer to provide ABM with finish samples prior to fabrication.
4. Manufacturer to provide ABM with shop drawings prior to fabrication.
5. Manufacturer must provide a structurally sound product with proper proportions to insure stability and prevent tipping.
6. Insure that piece will fit in elevators and through doors prior to commencing fabrication. All images, photographs and renderings of specified items contained in this specification package are for general design intent and reference only.
7. All metal parts must be guaranteed against rust and corrosion.
8. Provide heavy duty nylon carpet glides/adjustable levelers.
9. Metal finishes to have clear rust inhibitor for humidity protection to prevent rust and corrosion. Manufacturer to ensure materials are noncorrosive and suitable for use in high humidity and salt air locations as required. All exposed metal to be of a gauge appropriate to item and have no visible welded joints.
11. Manufacturer must review design concept and inform purchasing agent of any problems or discrepancies prior to fabrication.

LOOSE FURNITURE - SEATING



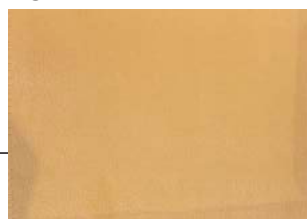
Deccan Manor, Ground Floor
Kashinath Dhuru Marg
Near Siddhivinayak Mandir
Prabhadevi, Mumbai, 400025
abm@abmarchitects.com

PROJECT	T1 LOUNGES - DOMESTIC LOUNGE PHASE 2
ISSUE DATE	JANUARY 22, 2024
VERSION	1

Item Number	SC-1
Location	RELAX LOUNGE
Item Description	Armchair 1
Manufacturer	
Finish	<ul style="list-style-type: none"> •Upholstery fabric as per image attached from Arc One, Mumbai •Legs in New Burma teak wood with approved staining
Quantity	16 nos.



SC-1.1



Custom-Made

Material: Fabric + Ash Wood

**Fabric: Sunperry Selected Fabric,
RM 50/meter**

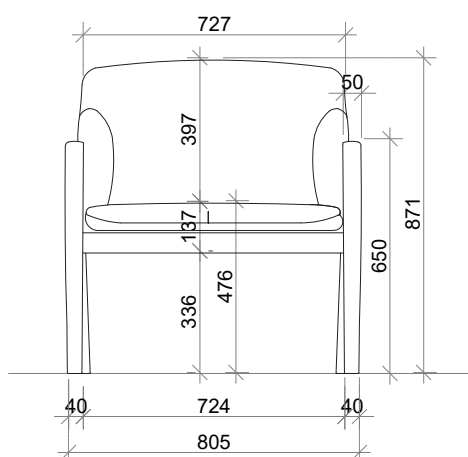
MYR 1,580.00

ANAARA-MARIGOLD-8342

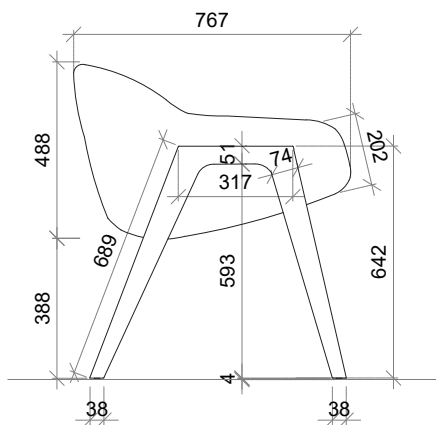


Burma Teakwood

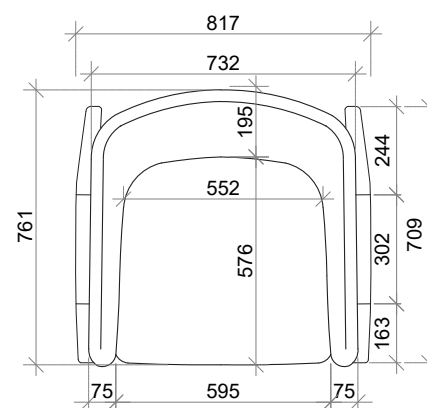
**Total:
MYR 25,280.00**



FRONT ELEV



SIDE ELEV



PLAN

All logos/labels on the seating to include the 080 logo

LOOSE FURNITURE - SEATING



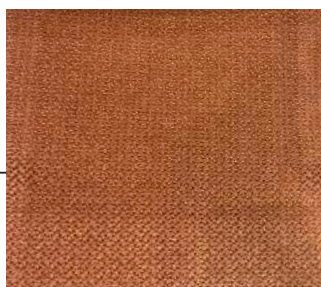
Deccan Manor, Ground Floor
Kashinath Dhuru Marg
Near Siddhivinayak Mandir
Prabhadevi, Mumbai, 400025
abm@abmarchitects.com

PROJECT	T1 LOUNGES - DOMESTIC LOUNGE PHASE 2
ISSUE DATE	JANUARY 22, 2024
VERSION	1

Item Number	SC-2
Location	RELAX LOUNGE
Item Description	Armchair 2
Manufacturer	
Finish	<ul style="list-style-type: none"> •Upholstery fabric as per image attached from Arc One, Mumbai •Legs in New Burma teak wood with approved staining
Quantity	7 nos.



SC-2.1



ANAARA -RUST- 01



Burma Teakwood

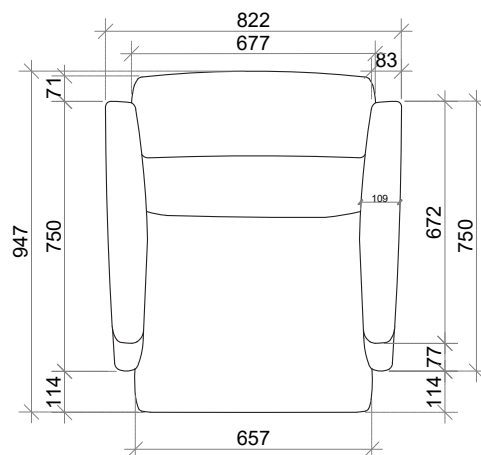
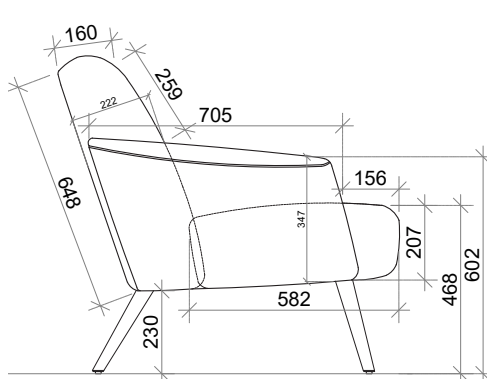
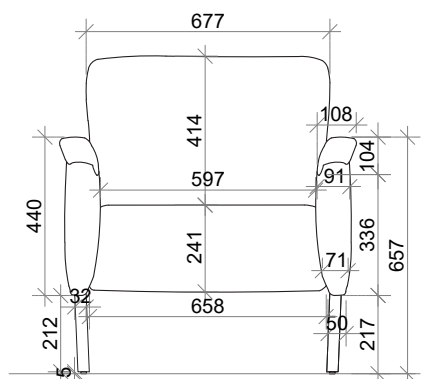
Custom-Made

Material: Fabric + Ash Wood

Fabric: Sunperry Selected Fabric, RM 50/meter

MYR 1,480.00

Total: MYR 10,360.00



All logos/labels on the seating to include the 080 logo

LOOSE FURNITURE - SEATING



Deccan Manor, Ground Floor
Kashinath Dhuru Marg
Near Siddhivinayak Mandir
Prabhadevi, Mumbai, 400025
abm@abmarchitects.com

PROJECT	T1 LOUNGES - DOMESTIC LOUNGE PHASE 2
ISSUE DATE	JANUARY 22, 2024
VERSION	1

Item Number	SC-4
Location	SPORTS LOUNGE
Item Description	Armchair 4
Manufacturer	
Finish	<ul style="list-style-type: none"> •Upholstery leatherite as per image attached from Arc One, Mumbai •Legs in New Burma teak wood with approved staining
Quantity	13 nos.



SC-4.1



ANAARA – TWO TONE- BROWN-04



Burma Teakwood

Custom-Made

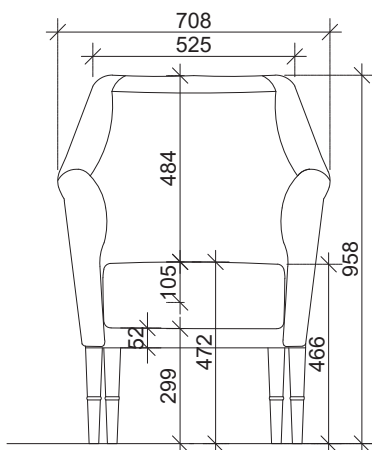
Material: Fabric + Ash Wood

Fabric: Sunperry Selected Fabric, RM 50/meter

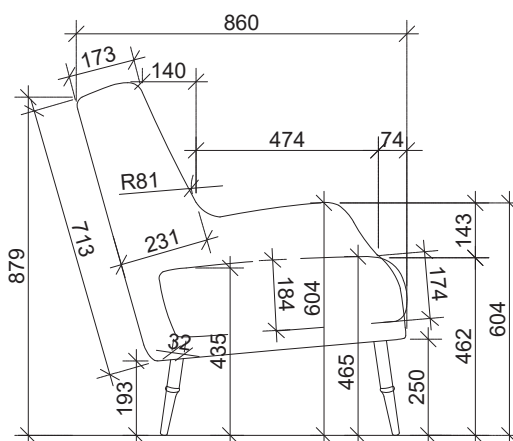
MYR 1,590.00

Total:

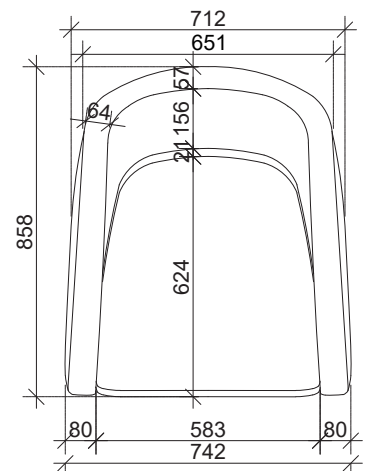
MYR 20,670.00



FRONT ELEV



--- SIDE ELEV ---



PLAN

All logos/labels on the seating to include the 080 logo

LOOSE FURNITURE - SEATING



Deccan Manor, Ground Floor
Kashinath Dhuru Marg
Near Siddhivinayak Mandir
Prabhadevi, Mumbai, 400025
abm@abmarchitects.com

PROJECT	T1 LOUNGES - DOMESTIC LOUNGE PHASE 2
ISSUE DATE	JANUARY 22, 2024
VERSION	1

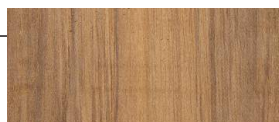
Item Number	SC-5
Location	SPORTS LOUNGE
Item Description	Armchair 5
Manufacturer	
Finish	<ul style="list-style-type: none"> •Upholstery fabric as per image attached from Arc One, Mumbai •Legs in New Burma teak wood with approved staining
Quantity	12 nos.



SC-5.1



ANAARA -BLUE-07



Burma Teakwood

Custom-Made

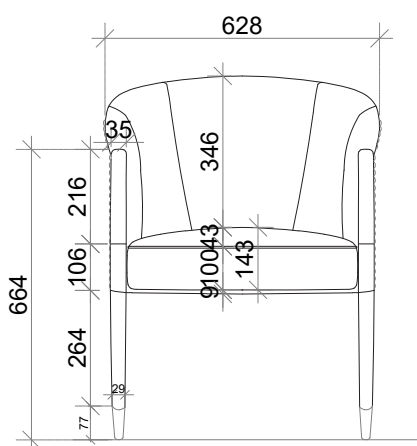
Material: Fabric + Ash Wood

**Fabric: Sunperry Selected Fabric,
RM 50/meter**

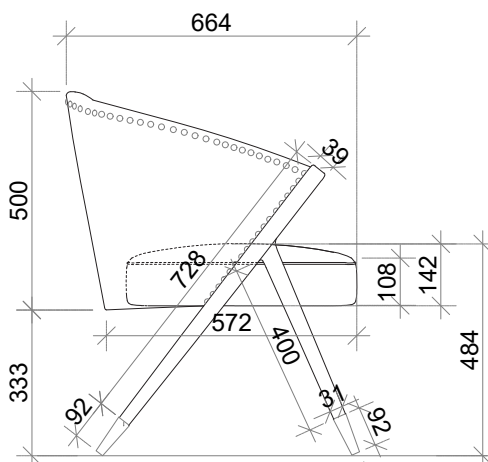
MYR 880.00

Total:

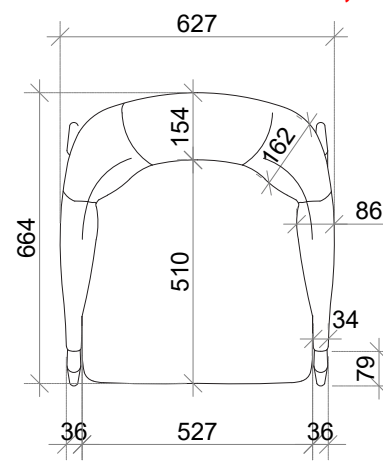
MYR 10,560.00



FRONT ELEV



SIDE ELEV



PLAN

All logos/labels on the seating to include the 080 logo

LOOSE FURNITURE - SEATING



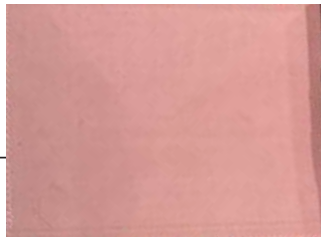
Deccan Manor, Ground Floor
Kashinath Dhuru Marg
Near Siddhivinayak Mandir
Prabhadevi, Mumbai, 400025
abm@abmarchitects.com

PROJECT	T1 LOUNGES - DOMESTIC LOUNGE PHASE 2
ISSUE DATE	JANUARY 22, 2024
VERSION	1

Item Number	SC-6
Location	TEA GARDEN
Item Description	Armchair 6
Manufacturer	
Finish	<ul style="list-style-type: none"> •Upholstery fabric as per image attached from Arc One, Mumbai •Legs in New Burma teak wood with approved staining
Quantity	19 nos.



SC-6.1



ANAARA – PEACH SUEDE-08



Burma Teakwood

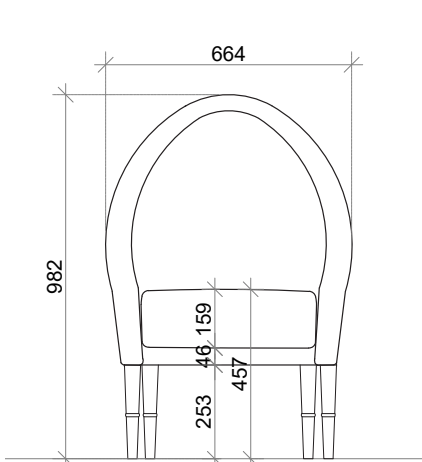
Custom-Made

Material: Fabric + Ash Wood

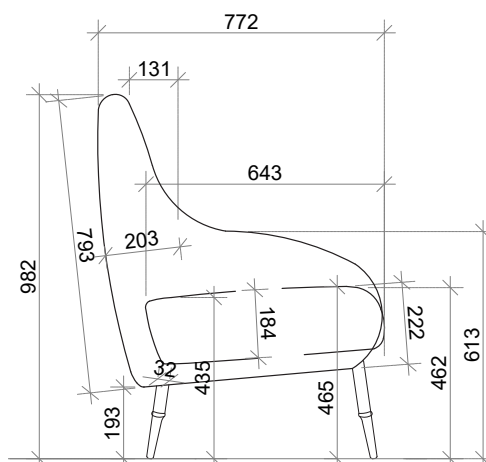
**Fabric: Sunperry Selected Fabric,
RM 50/meter**

MYR 1,380.00

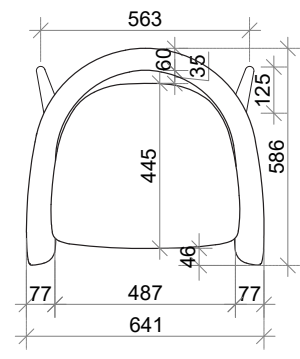
**Total:
MYR 26,220.00**



FRONT ELEV



SIDE ELEV



PLAN

All logos/labels on the seating to include the 080 logo

LOOSE FURNITURE - SEATING



Deccan Manor, Ground Floor
Kashinath Dhuru Marg
Near Siddhivinayak Mandir
Prabhadevi, Mumbai, 400025
abm@abmarchitects.com

PROJECT	T1 LOUNGES - DOMESTIC LOUNGE PHASE 2
ISSUE DATE	JANUARY 22, 2024
VERSION	1

Item Number	CH-1
Location	SPORTS LOUNGE
Item Description	Bar Stool 1
Manufacturer	
Finish	<ul style="list-style-type: none"> •Upholstery leatherite as per image attached from Arc One, Mumbai •Legs in black powder coated metal •All bar stools to be in swivel
Quantity	11 nos.

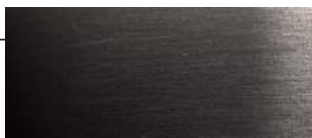


CH-1.1

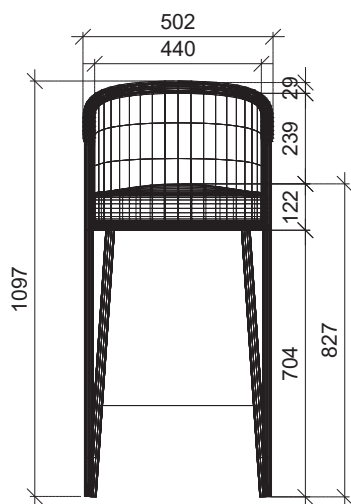


ANAARA – LEATHER PEACH-05

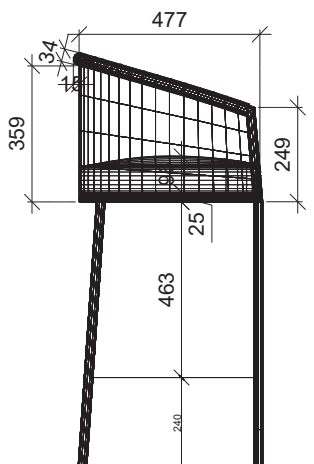
Black Powder Coated Metal



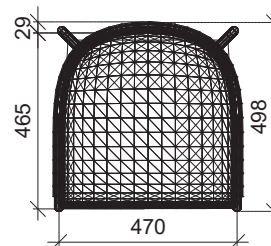
Custom-made Rattan Bar Stool
Fabric + Rattan Frame + Metal Leg
Fabric: Sunperry Selected Fabric,
RM 50/meter
W560 X D560 X H1030mm
MYR 750.00



FRONT ELEV



SIDE ELEV



PLAN **Total: MYR 8,250.00**

All logos/labels on the seating to include the 080 logo

LOOSE FURNITURE - SEATING



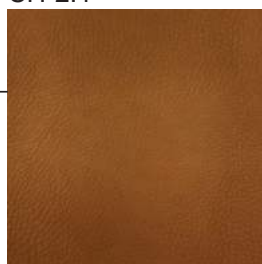
Deccan Manor, Ground Floor
Kashinath Dhuru Marg
Near Siddhivinayak Mandir
Prabhadevi, Mumbai, 400025
abm@abmarchitects.com

PROJECT	T1 LOUNGES - DOMESTIC LOUNGE PHASE 2
ISSUE DATE	JANUARY 22, 2024
VERSION	1

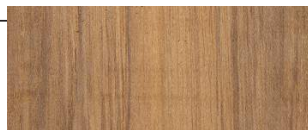
Item Number	CH-2
Location	SPORTS LOUNGE
Item Description	Bar Stool 2
Manufacturer	
Finish	<ul style="list-style-type: none"> •Upholstery leatherite as per image attached from Arc One, Mumbai •Legs in New Burma teak wood with approved staining •All bar stools to be in swivel
Quantity	12 nos.



CH-2.1



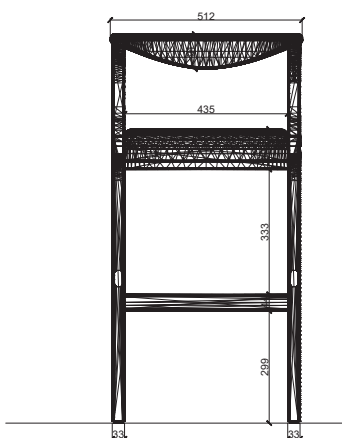
ANAARA – BROWN-02



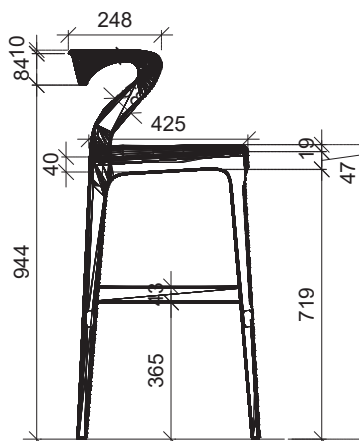
Burma Teakwood



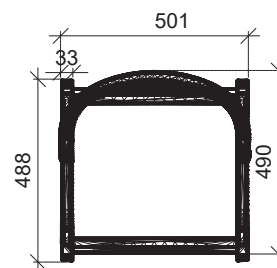
B491
PU + Ash Wood Leg
Fabric: Sunperry
Selected Fabric,
RM 50/meter
W450 X D470 X H960mm
MYR 580.00



FRONT ELEV



SIDE ELEV



PLAN

Total:
MYR 6,960.00

All logos/labels on the seating to include the 080 logo

LOOSE FURNITURE - SEATING



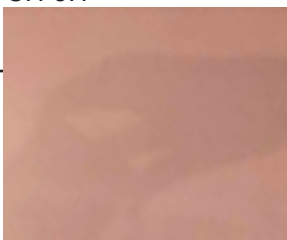
Deccan Manor, Ground Floor
Kashinath Dhuru Marg
Near Siddhivinayak Mandir
Prabhadevi, Mumbai, 400025
abm@abmarchitects.com

PROJECT	T1 LOUNGES - DOMESTIC LOUNGE PHASE 2
ISSUE DATE	JANUARY 22, 2024
VERSION	1

Item Number	CH-3
Location	TEA GARDEN
Item Description	Bar Stool 3
Manufacturer	
Finish	<ul style="list-style-type: none"> •Upholstery fabric as per image attached from Arc One, Mumbai •Legs in New Burma teak wood with approved staining •All bar stools to be in swivel
Quantity	10 nos.



CH-3.1

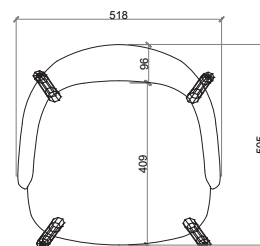
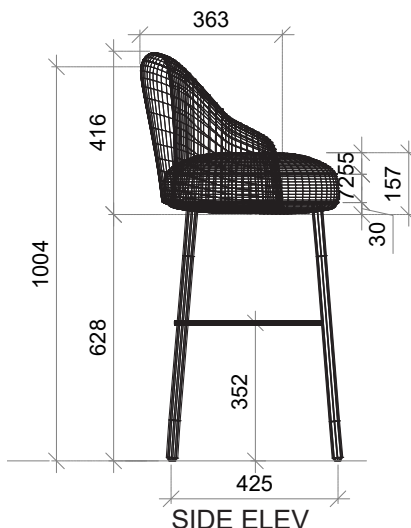
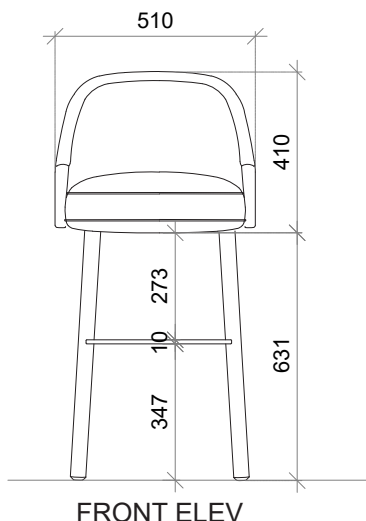


ANAARA – PEACH SUEDE-09



Burma Teakwood

Custom-made
Fabric + Metal Leg
MYR 980.00



Total:
MYR 9,800.00

All logos/labels on the seating to include the 080 logo

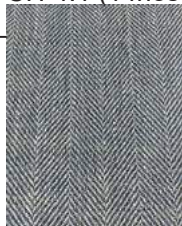
LOOSE FURNITURE - SEATING

PROJECT	T1 LOUNGES - DOMESTIC LOUNGE PHASE 2
ISSUE DATE	JANUARY 22, 2024
VERSION	1

Item Number	CH-4 & CH-5
Location	DINING AREA
Item Description	Dining Chair 1 & 2
Manufacturer	
Finish	<ul style="list-style-type: none"> •Upholstery fabric as per image attached from Arc One, Mumbai •Legs in New Burma teak wood with approved staining
Quantity	32 nos.

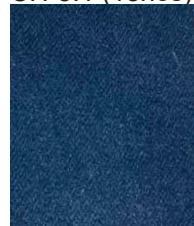


CH-4.1 (14nos)



ANAARA – DENIM WEAVE-06

CH-5.1 (18nos)

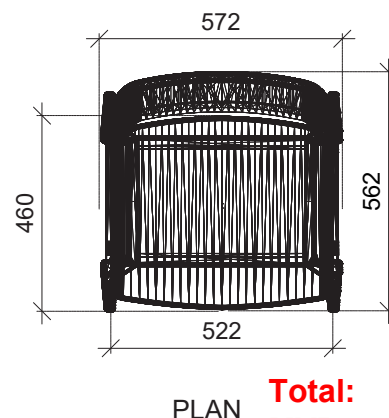
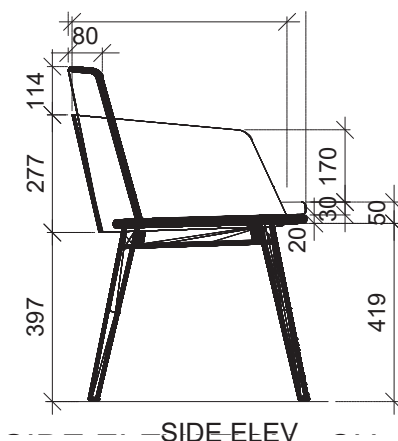
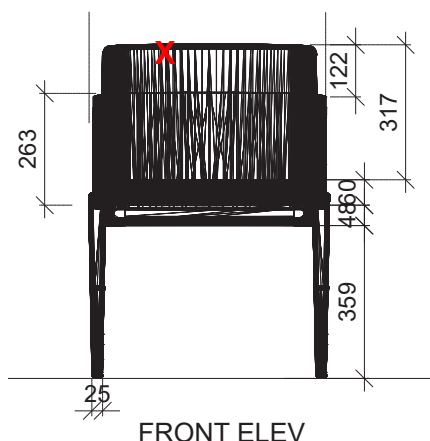


ANAARA – Blue-07



Burma Teakwood

Custom-made
Wooden Frame + Fabric +
Wooden Leg
MYR 780.00



Total:
MYR 24,960.00

All logos/labels on the seating to include the 080 logo

LOOSE FURNITURE - TABLES

PROJECT	T1 LOUNGES - DOMESTIC LOUNGE PHASE 2
ISSUE DATE	JANUARY 22, 2024
VERSION	1

Item Number	CT-01
Location	RELAX LOUNGE
Item Description	Center Table
Manufacturer	
Quantity	4 nos.

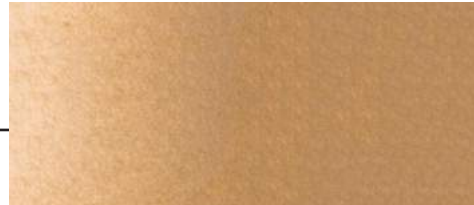


ITM-1



Black Rose Marble Top

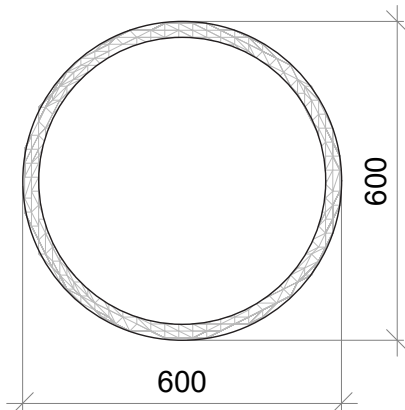
Metallic Duco Paint



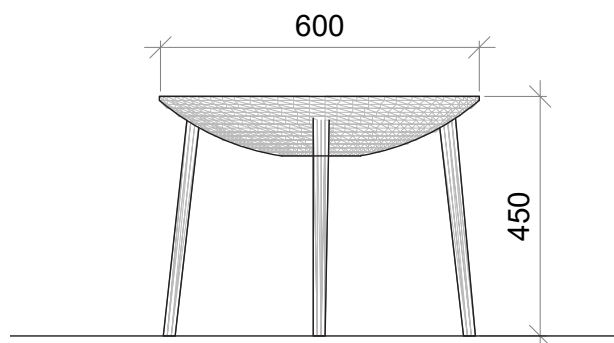
Custom Made Dining Table

Sintered Stone Top + Gold Stainless Steel Leg
Dia600 X H450mm

MYR 1,480.00



PLAN



FRONT ELEV

Total:
MYR 5,920.00

LOOSE FURNITURE - TABLES

PROJECT	T1 LOUNGES - DOMESTIC LOUNGE PHASE 2
ISSUE DATE	JANUARY 22, 2024
VERSION	1

Item Number	CT-02
Location	SPORTS LOUNGE, LIVE DINING
Item Description	Dining Table
Manufacturer	
Quantity	15 nos.



ITM-1



Black Rose Marble Top

Metallic Duco Paint

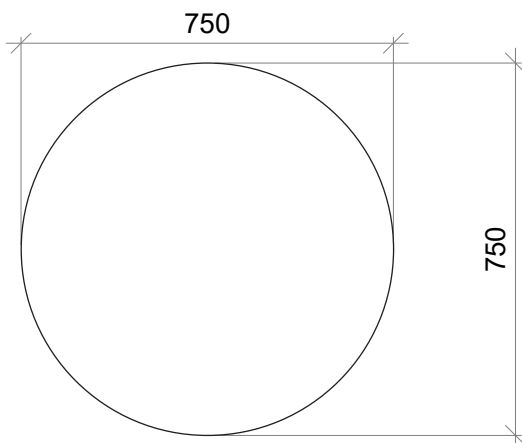


Custom-made Dining Table

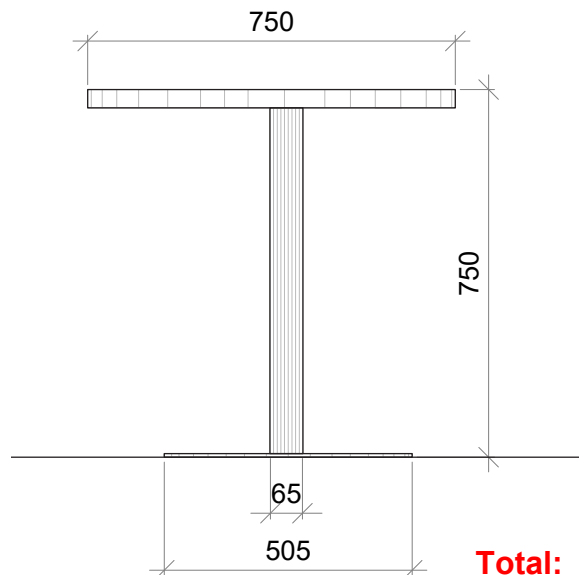
Sintered Stone Top + Gold Stainless Steel Leg

Dia750 X H750mm

MYR 980.00



PLAN



FRONT ELEV

**Total:
MYR 14,700.00**

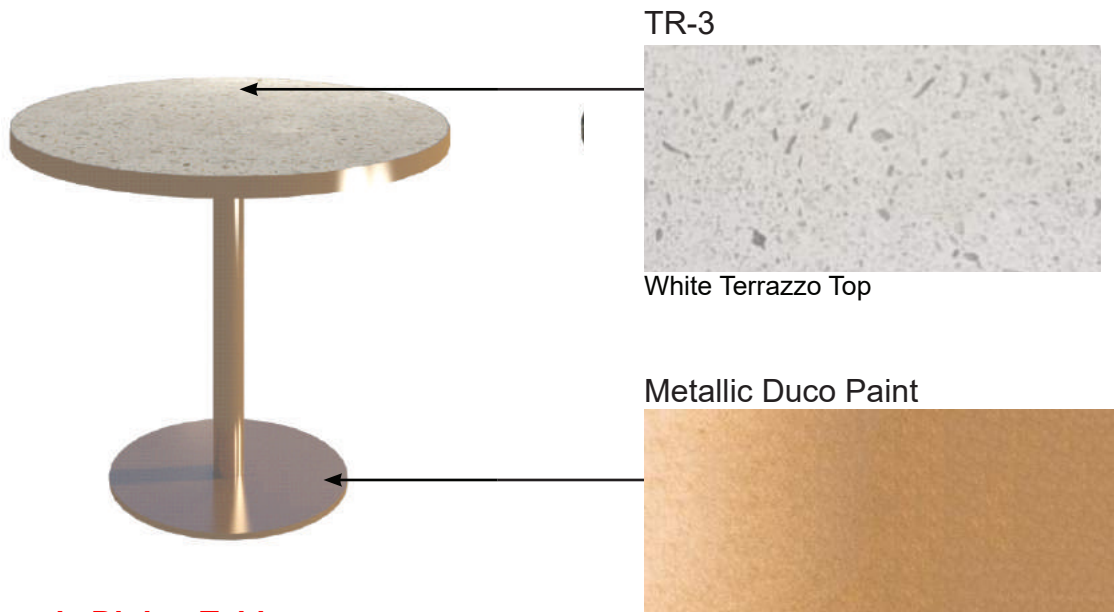
LOOSE FURNITURE - TABLES



Deccan Manor, Ground Floor
Kashinath Dhuru Marg
Near Siddhivinayak Mandir
Prabhadevi, Mumbai, 400025
abm@abmarchitects.com

PROJECT	T1 LOUNGES - DOMESTIC LOUNGE PHASE 2
ISSUE DATE	JANUARY 22, 2024
VERSION	1

Item Number	CT-03
Location	TEA GARDEN
Item Description	Dining Table
Manufacturer	
Quantity	14 nos.

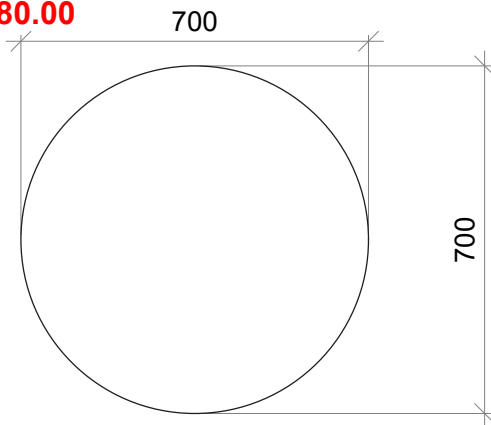


Custom-made Dining Table

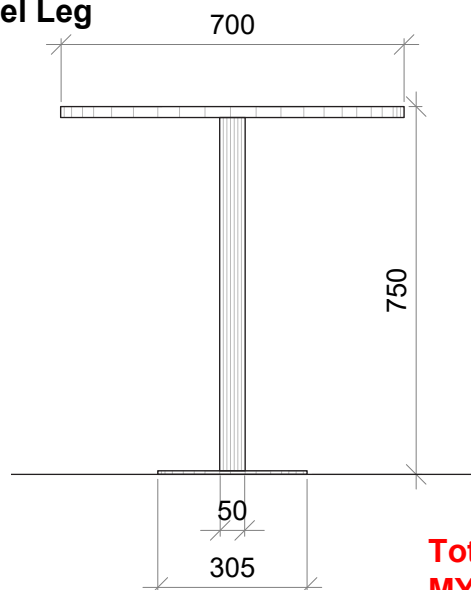
Sintered Stone Top + S/S Edging + Gold Stainless Steel Leg

Dia700 X H750mm

MYR 1,180.00



PLAN



FRONT ELEV

Total:
MYR 16,520.00

LOOSE FURNITURE - TABLES

PROJECT	T1 LOUNGES - DOMESTIC LOUNGE PHASE 2
ISSUE DATE	JANUARY 22, 2024
VERSION	1

Item Number	CT-04
Location	LIVE DINING
Item Description	Dining Table
Manufacturer	
Quantity	4 nos.



ITM-1



Black Rose Marble Top

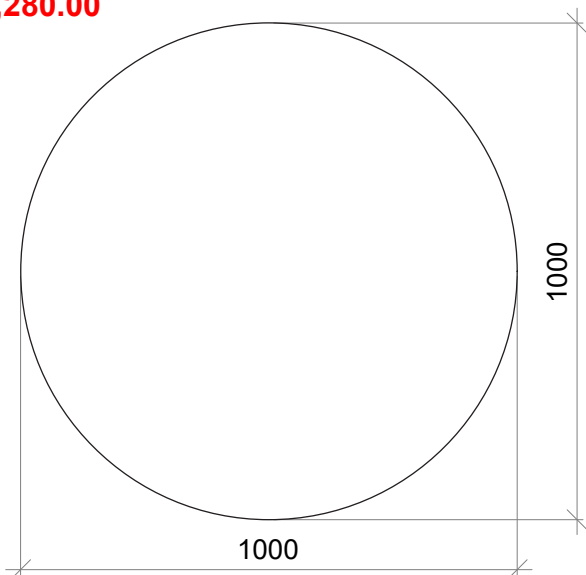
Metallic Duco Paint



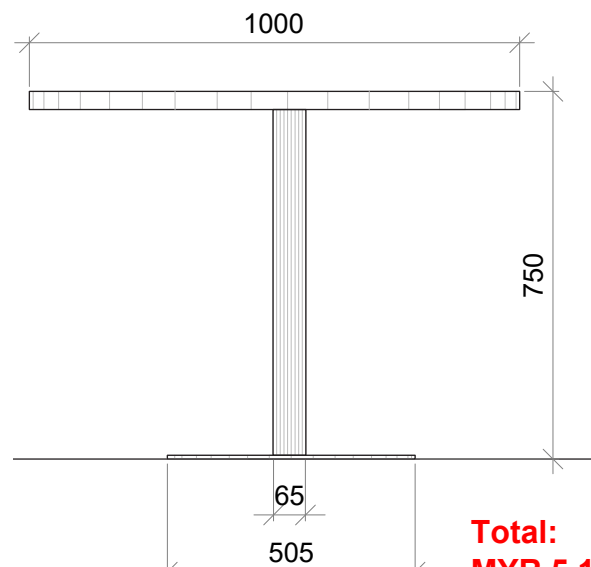
Custom-made Dining Table

Sintered Stone Top + Gold Stainless Steel Leg
Dia1000 X H750mm

MYR 1,280.00



PLAN



FRONT ELEV

**Total:
MYR 5,120.00**

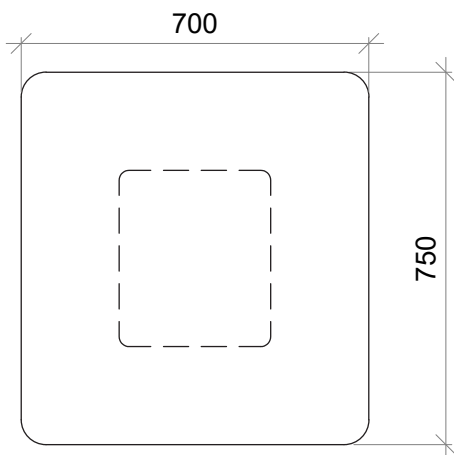
LOOSE FURNITURE - TABLES

PROJECT	T1 LOUNGES - DOMESTIC LOUNGE PHASE 2
ISSUE DATE	JANUARY 22, 2024
VERSION	1

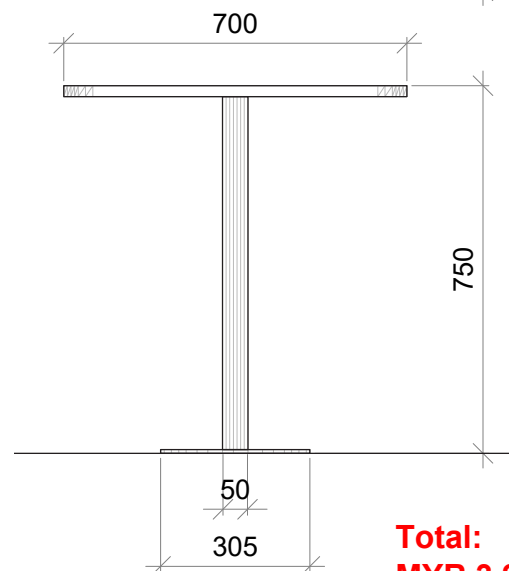
Item Number	D-LF-01
Location	LIVE DINING
Item Description	Dining Table
Manufacturer	
Quantity	4 nos.



Custom-made Dining Table
Sintered Stone Top + Gold Stainless Steel Leg
W700 X D750 X H750mm
MYR 980.00



PLAN



FRONT ELEV

Total:
MYR 3,920.00

LOOSE FURNITURE - TABLES



Deccan Manor, Ground Floor
Kashinath Dhuru Marg
Near Siddhivinayak Mandir
Prabhadevi, Mumbai, 400025
abm@abmarchitects.com

PROJECT	T1 LOUNGES - DOMESTIC LOUNGE PHASE 2
ISSUE DATE	JANUARY 22, 2024
VERSION	1

Item Number	ST-01
Location	RELAX LOUNGE
Item Description	Side Table
Manufacturer	
Quantity	22 nos.

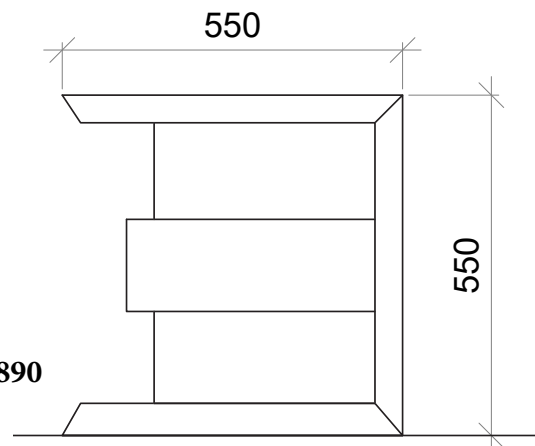
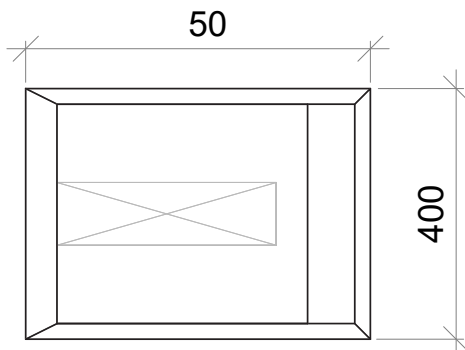


VNR-1

Veneer

Custom-made Side Table
W550 X D400 X H550mm
MYR 950.00

Total:
MYR 20,900.00



Modesco Sdn Bhd
Philip Tan / Elaine Ng
011-2222 1333 / 012-380 3890
19.04.24

***REMARK:**

- * Price stated above is ex-factory price in Malaysia (exclude delivery charge to India).
- * Fabric/PU use Sunperry Fabric/PU color selection (MYR 50/meter).
- * Production Lead Time: 7-8 weeks (Ready at Kuala Lumpur warehouse)
- * If need order mock up for viewing we need 8 weeks time.
- * Payment Terms: PO Required. 50% Deposit(Non-refundable) to start production and 50% balance before delivery.

Grand Total:
MYR 220,940.00