

LOOSE FURNITURE - SEATING



Deccan Manor, Ground Floor
Kashinath Dhuru Marg
Near Siddhivinayak Mandir
Prabhadevi, Mumbai, 400025
abm@abmarchitects.com



PROPOSAL_V1

updated on 04.03.24

PROJECT	T1 LOUNGES - DOMESTIC LOUNGE PHASE 2
ISSUE DATE	JANUARY 22, 2024
VERSION	1

Notes:

1. All materials and methods of construction must comply with India local fire & life safety codes and ABM standards.
2. Must be of contract quality and suitable for commercial use.
3. Manufacturer to provide ABM with finish samples prior to fabrication.
4. Manufacturer to provide ABM with shop drawings prior to fabrication.
5. Manufacturer must provide a structurally sound product with proper proportions to insure stability and prevent tipping.
6. Insure that piece will fit in elevators and through doors prior to commencing fabrication. All images, photographs and renderings of specified items contained in this specification package are for general design intent and reference only.
7. All metal parts must be guaranteed against rust and corrosion.
8. Provide heavy duty nylon carpet glides/adjustable levelers.
9. Metal finishes to have clear rust inhibitor for humidity protection to prevent rust and corrosion. Manufacturer to ensure materials are noncorrosive and suitable for use in high humidity and salt air locations as required. All exposed metal to be of a gauge appropriate to item and have no visible welded joints.
11. Manufacturer must review design concept and inform purchasing agent of any problems or discrepancies prior to fabrication.

LOOSE FURNITURE - SEATING

PROJECT	T1 LOUNGES - DOMESTIC LOUNGE PHASE 2
ISSUE DATE	JANUARY 22, 2024
VERSION	1

Item Number	SC-1
Location	RELAX LOUNGE
Item Description	Armchair 1
Manufacturer	
Finish	<ul style="list-style-type: none"> •Upholstery fabric as per image attached from Arc One, Mumbai •Legs in New Burma teak wood with approved staining
Quantity	16 nos.



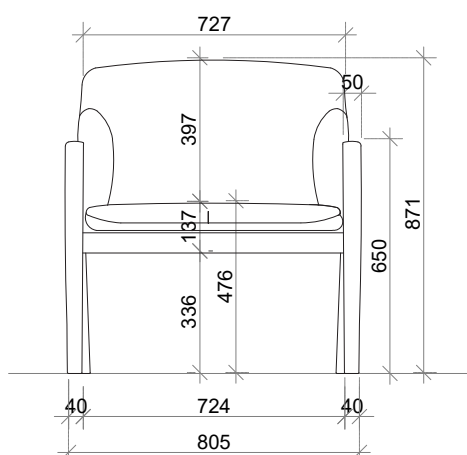
SC-1.1

Propose Item

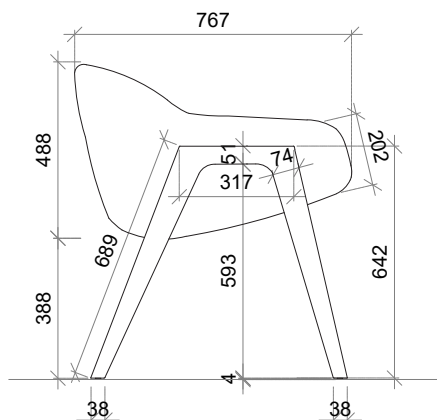


Arm Chair C548
Fabric + Wood Leg
W580 X D580 X H790mm
MYR 750
INR 13,160.90

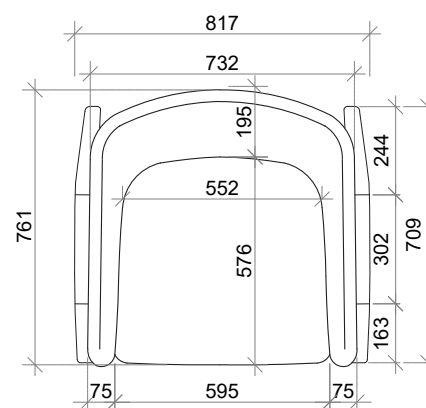
Total:
MRY 12,000
INR 210.574.44



FRONT ELEV



SIDE ELEV



PLAN

LOOSE FURNITURE - SEATING



Deccan Manor, Ground Floor
Kashinath Dhuru Marg
Near Siddhivinayak Mandir
Prabhadevi, Mumbai, 400025
abm@abmarchitects.com

PROJECT	T1 LOUNGES - DOMESTIC LOUNGE PHASE 2
ISSUE DATE	JANUARY 22, 2024
VERSION	1

Item Number	SC-2
Location	RELAX LOUNGE
Item Description	Armchair 2
Manufacturer	
Finish	<ul style="list-style-type: none"> •Upholstery fabric as per image attached from Arc One, Mumbai •Legs in New Burma teak wood with approved staining
Quantity	7 nos.



SC-2.1



ANAARA -RUST- 01



Burma Teakwood

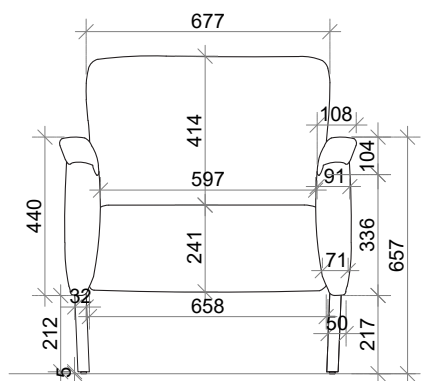
Propose Item



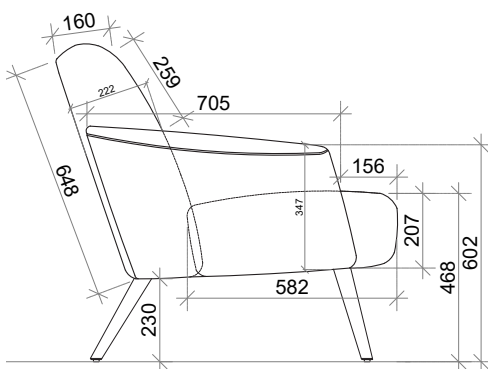
Arm Chair 999
Fabric + Metal Leg
W900 X D850 X H820mm

MYR 1,594
INR 27,971.30

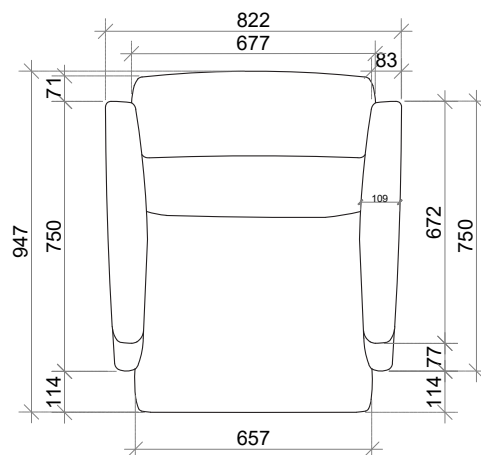
Total:
MYR 11,158
INR 195,799.13



FRONT ELEV



SIDE ELEV



PLAN

All logos/labels on the seating to include the 080 logo

LOOSE FURNITURE - SEATING

PROJECT	T1 LOUNGES - DOMESTIC LOUNGE PHASE 2
ISSUE DATE	JANUARY 22, 2024
VERSION	1

Item Number	SC-3
Location	SPORTS LOUNGE
Item Description	Armchair 3
Manufacturer	
Finish	<ul style="list-style-type: none"> •Upholstery leatherite as per image attached from Arc One, Mumbai •Legs in New Burma teak wood with approved staining
Quantity	10 nos.



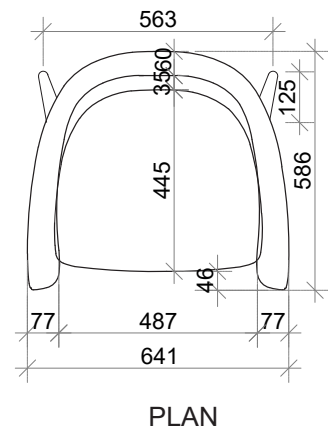
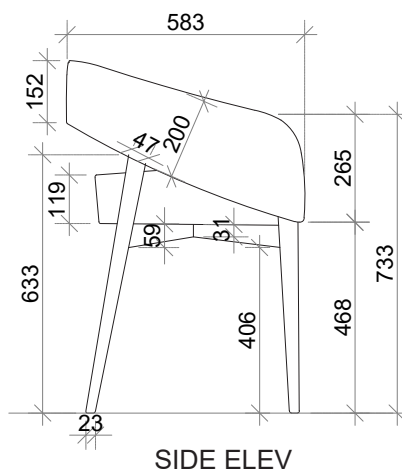
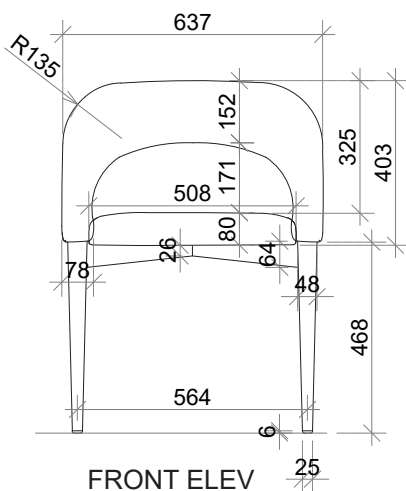
Propose Item



C633
Fabric + Wood Leg
W540 X D560 X H740mm

MYR 657
INR 11528.95

Total:
MYR 6,570
INR 115,289.51



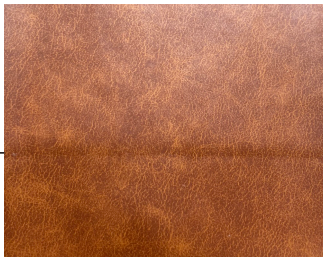
LOOSE FURNITURE - SEATING

PROJECT	T1 LOUNGES - DOMESTIC LOUNGE PHASE 2
ISSUE DATE	JANUARY 22, 2024
VERSION	1

Item Number	SC-4
Location	SPORTS LOUNGE
Item Description	Armchair 4
Manufacturer	
Finish	<ul style="list-style-type: none"> •Upholstery leatherite as per image attached from Arc One, Mumbai •Legs in New Burma teak wood with approved staining
Quantity	13 nos.



SC-4.1



ANAARA – TWO TONE- BROWN-04



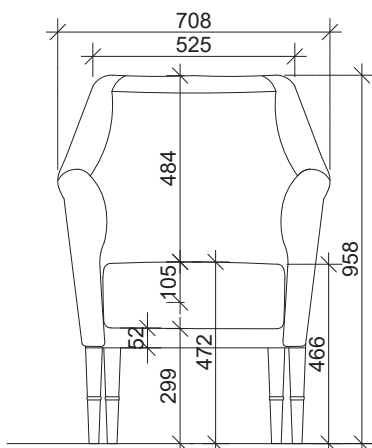
Burma Teakwood

Propose Item

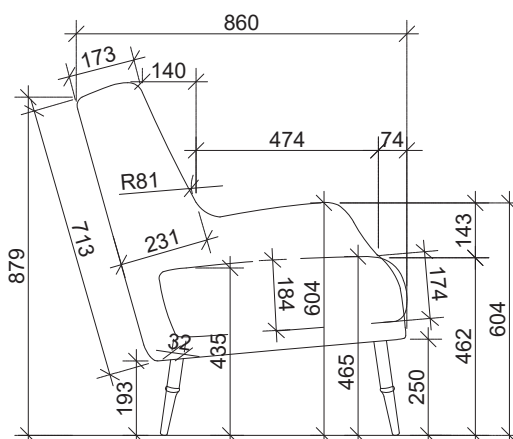


S385-1
Fabric + Wood Leg
W650 X D790 X H1080mm
MYR 1,463
INR 25,672.53

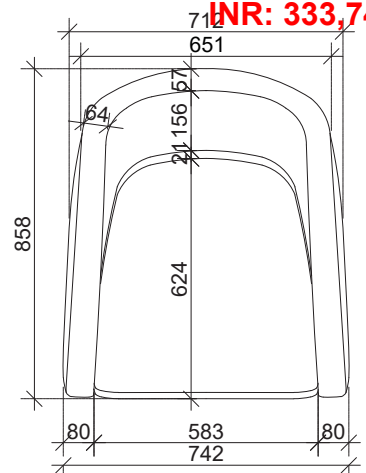
Total:
MYR 19,019
INR: 333,742.94



FRONT ELEV



--- SIDE ELEV ---



PLAN

All logos/labels on the seating to include the 080 logo

LOOSE FURNITURE - SEATING



Deccan Manor, Ground Floor
Kashinath Dhuru Marg
Near Siddhivinayak Mandir
Prabhadevi, Mumbai, 400025
abm@abmarchitects.com

PROJECT	T1 LOUNGES - DOMESTIC LOUNGE PHASE 2
ISSUE DATE	JANUARY 22, 2024
VERSION	1

Item Number	SC-5
Location	SPORTS LOUNGE
Item Description	Armchair 5
Manufacturer	
Finish	<ul style="list-style-type: none"> •Upholstery fabric as per image attached from Arc One, Mumbai •Legs in New Burma teak wood with approved staining
Quantity	12 nos.



SC-5.1



ANAARA -BLUE-07



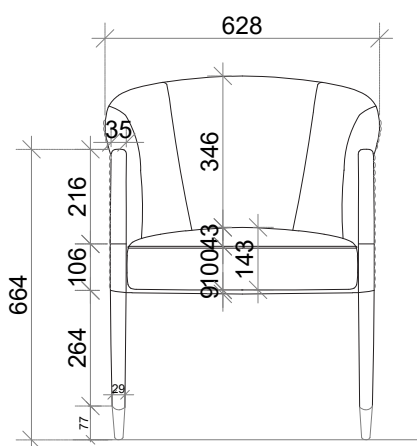
Burma Teakwood

Propose Item

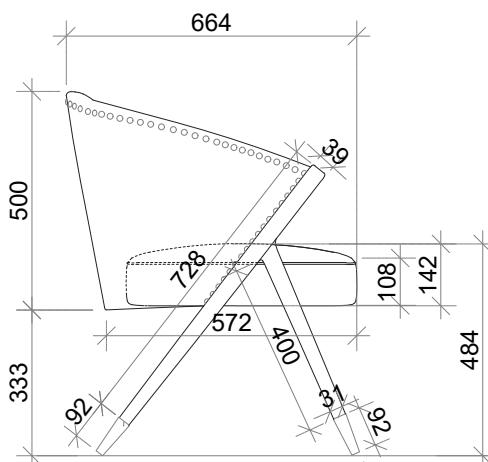


C574
Fabric + Wood Leg
W550 X D600 X H770mm
MYR 591
INR 10,370.79

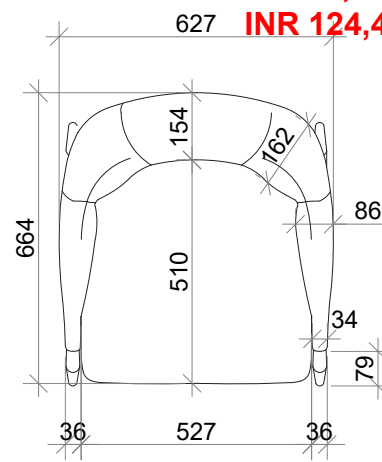
Total:
MYR 7,092
INR 124,449.49



FRONT ELEV



SIDE ELEV



PLAN

All logos/labels on the seating to include the 080 logo

LOOSE FURNITURE - SEATING

PROJECT	T1 LOUNGES - DOMESTIC LOUNGE PHASE 2
ISSUE DATE	JANUARY 22, 2024
VERSION	1

Item Number	SC-6
Location	TEA GARDEN
Item Description	Armchair 6
Manufacturer	
Finish	<ul style="list-style-type: none"> •Upholstery fabric as per image attached from Arc One, Mumbai •Legs in New Burma teak wood with approved staining
Quantity	19 nos.



SC-6.1



ANAARA – PEACH SUEDE-08



Burma Teakwood

Propose Item



C426

Fabric + Wood Leg

W560 X D590 X H780mm

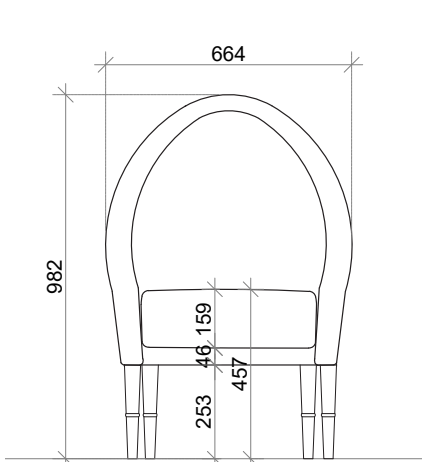
AMF 483

=BF', (+) ' &

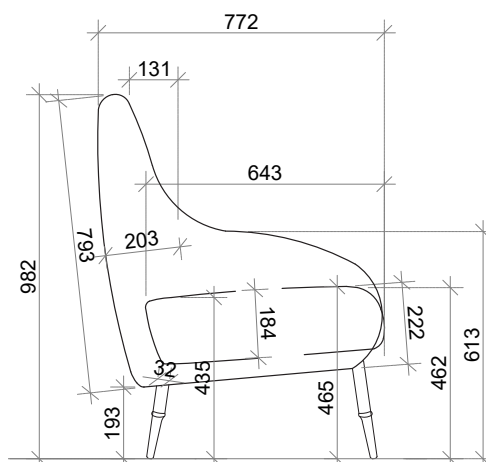
Total:

MYR 9,177

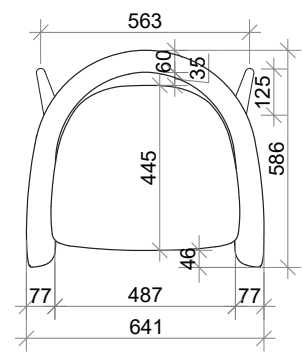
INR 161,036.80



FRONT ELEV



SIDE ELEV



PLAN

LOOSE FURNITURE - SEATING



Deccan Manor, Ground Floor
Kashinath Dhuru Marg
Near Siddhivinayak Mandir
Prabhadevi, Mumbai, 400025
abm@abmarchitects.com

PROJECT	T1 LOUNGES - DOMESTIC LOUNGE PHASE 2
ISSUE DATE	JANUARY 22, 2024
VERSION	1

Item Number	CH-1
Location	SPORTS LOUNGE
Item Description	Bar Stool 1
Manufacturer	
Finish	<ul style="list-style-type: none"> •Upholstery leatherite as per image attached from Arc One, Mumbai •Legs in black powder coated metal •All bar stools to be in swivel
Quantity	11 nos.

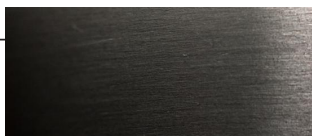


CH-1.1



ANAARA – LEATHER PEACH-05

Black Powder Coated Metal



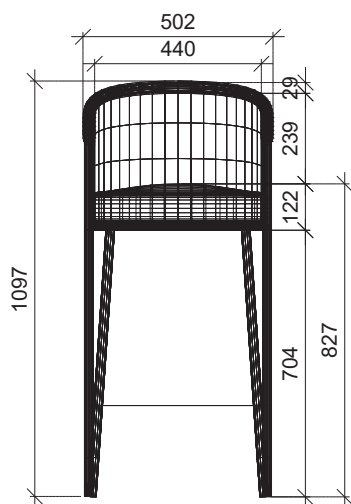
Propose Item



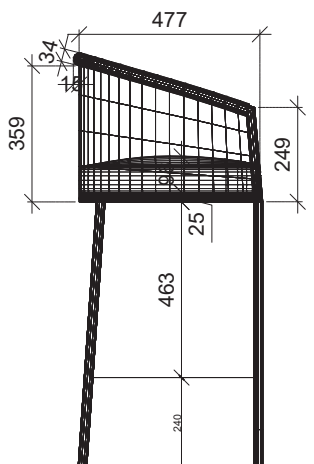
Custom-made Rattan Bar Stool
Fabric + Rattan Frame + Metal Leg
W560 X D560 X H1030mm

MYR 690

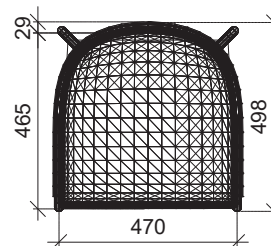
INR 12,108.03



FRONT ELEV



SIDE ELEV



PLAN

Total:

MYR 7,590

INR 133,188.33

All logos/labels on the seating to include the 080 logo

LOOSE FURNITURE - SEATING

PROJECT	T1 LOUNGES - DOMESTIC LOUNGE PHASE 2
ISSUE DATE	JANUARY 22, 2024
VERSION	1

Item Number	CH-2
Location	SPORTS LOUNGE
Item Description	Bar Stool 2
Manufacturer	
Finish	<ul style="list-style-type: none"> •Upholstery leatherite as per image attached from Arc One, Mumbai •Legs in New Burma teak wood with approved staining •All bar stools to be in swivel
Quantity	12 nos.



CH-2.1

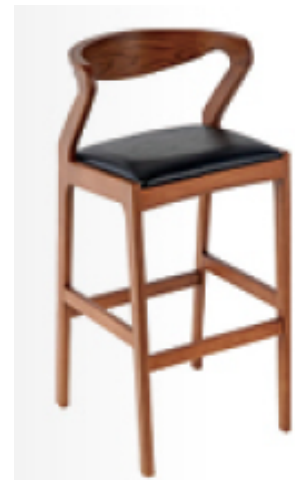


ANAARA – BROWN-02

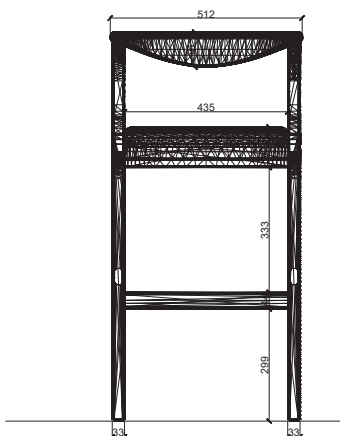


Burma Teakwood

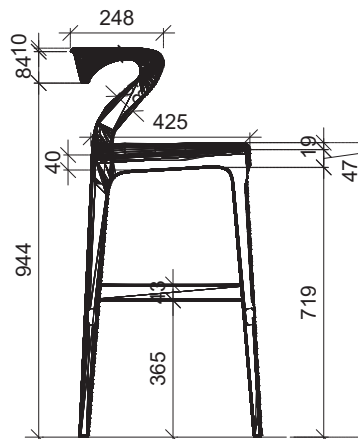
Propose Item



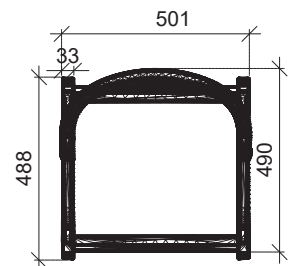
B491
PU + Ash Wood Leg
W450 X D470 X H960mm
MYR 562
INR 9,861.90



FRONT ELEV



SIDE ELEV



PLAN

Total:
MYR 6,744
INR 118,342.84

LOOSE FURNITURE - SEATING

PROJECT	T1 LOUNGES - DOMESTIC LOUNGE PHASE 2
ISSUE DATE	JANUARY 22, 2024
VERSION	1

Item Number	CH-3
Location	TEA GARDEN
Item Description	Bar Stool 3
Manufacturer	
Finish	<ul style="list-style-type: none"> •Upholstery fabric as per image attached from Arc One, Mumbai •Legs in New Burma teak wood with approved staining •All bar stools to be in swivel
Quantity	10 nos.



CH-3.1



ANAARA - PEACH SUEDE-09

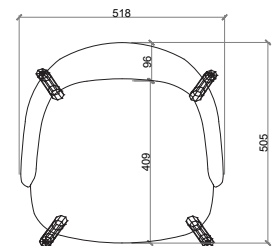
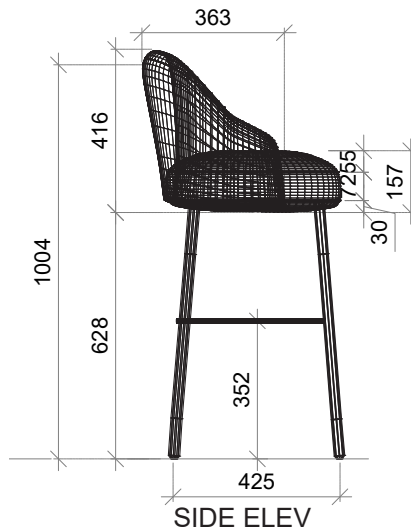
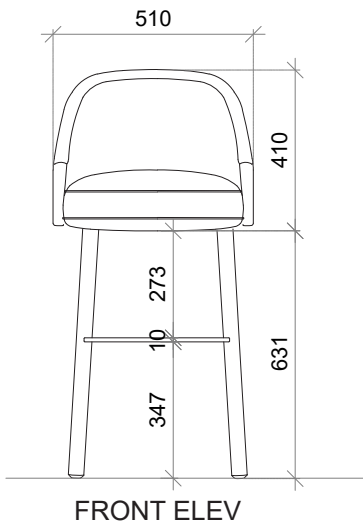


Burma Teakwood

Propose Item



D-BY-042
PU + Wood Leg
W480 X D500 X H830mm
MYR 762
INR 13,371.48



Total:
MYR 7,620
INR 133,714.77

LOOSE FURNITURE - SEATING



Deccan Manor, Ground Floor
Kashinath Dhuru Marg
Near Siddhivinayak Mandir
Prabhadevi, Mumbai, 400025
abm@abmarchitects.com

PROJECT	T1 LOUNGES - DOMESTIC LOUNGE PHASE 2
ISSUE DATE	JANUARY 22, 2024
VERSION	1

Item Number	CH-4 & CH-5
Location	DINING AREA
Item Description	Dining Chair 1 & 2
Manufacturer	
Finish	<ul style="list-style-type: none"> •Upholstery fabric as per image attached from Arc One, Mumbai •Legs in New Burma teak wood with approved staining
Quantity	32 nos.



CH-4.1 (14nos)



ANAARA - DENIM WEAVE-06

CH-5.1 (18nos)



ANAARA - Blue-07



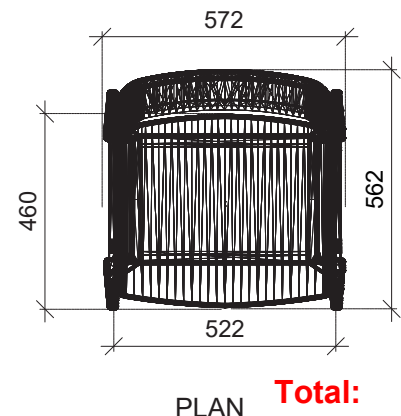
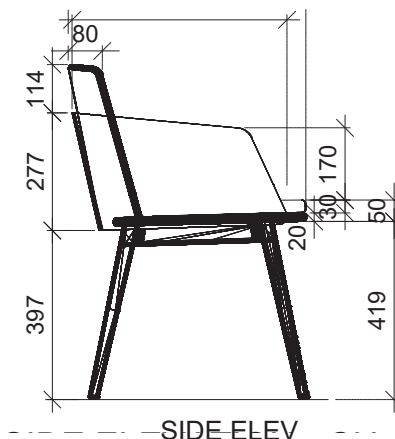
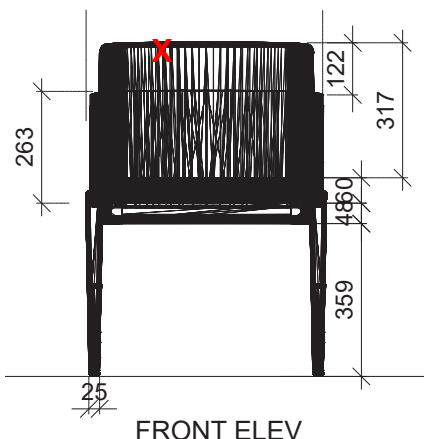
Burma Teakwood

Propose Item



D-CY-110

D-CY-110
PU + Wood Frame And Leg
W490 X D500 X H730mm
MYR 742
INR 13,020.52



Total:
MYR 23,744
INR 416,656.63

All logos/labels on the seating to include the 080 logo

LOOSE FURNITURE - TABLES



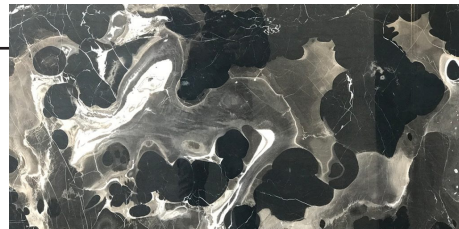
Deccan Manor, Ground Floor
Kashinath Dhuru Marg
Near Siddhivinayak Mandir
Prabhadevi, Mumbai, 400025
abm@abmarchitects.com

PROJECT	T1 LOUNGES - DOMESTIC LOUNGE PHASE 2
ISSUE DATE	JANUARY 22, 2024
VERSION	1

Item Number	CT-01
Location	RELAX LOUNGE
Item Description	Center Table
Manufacturer	
Quantity	4 nos.



ITM-1



Black Rose Marble Top

Metallic Duco Paint

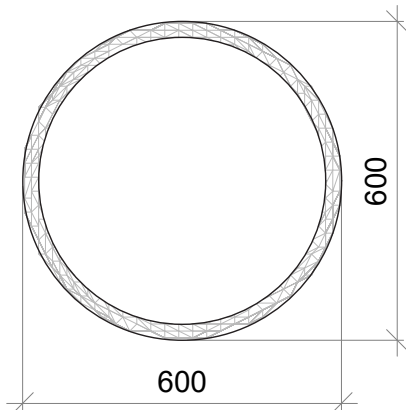


Custom-made Dining Table

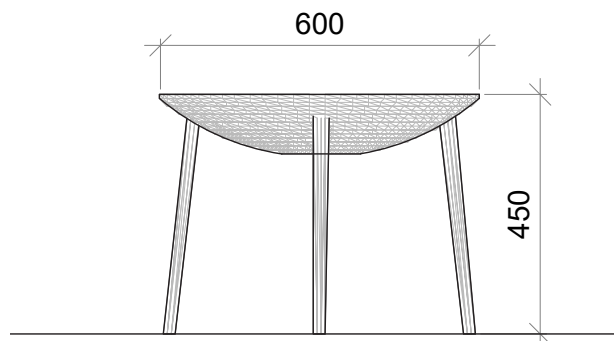
Matt Slate Stone Top + Gold Stainless Steel Leg
Dia750 X H750mm

MYR 1,357

INR 23,812.46



PLAN



FRONT ELEV

Total:
MYR 5,428
INR 95,249.84

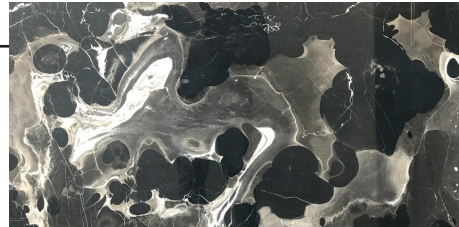
LOOSE FURNITURE - TABLES

PROJECT	T1 LOUNGES - DOMESTIC LOUNGE PHASE 2
ISSUE DATE	JANUARY 22, 2024
VERSION	1

Item Number	CT-02
Location	SPORTS LOUNGE, LIVE DINING
Item Description	Dining Table
Manufacturer	
Quantity	15 nos.



ITM-1



Black Rose Marble Top

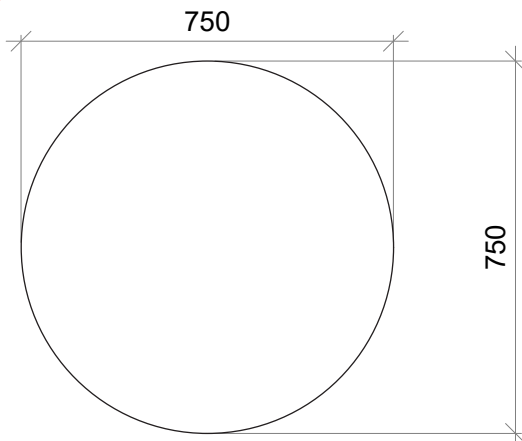
Metallic Duco Paint



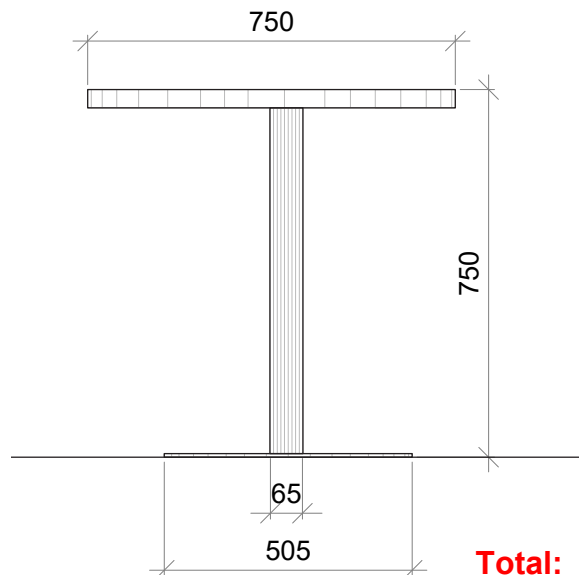
Custom-made Dinning Table
Matt Slate Stone Top + Gold Stainless Steel Leg
Dia750 X H750mm

MYR 462

INR 8,107.12



PLAN



FRONT ELEV

Total:
MYR 6,930
INR 121,606.74

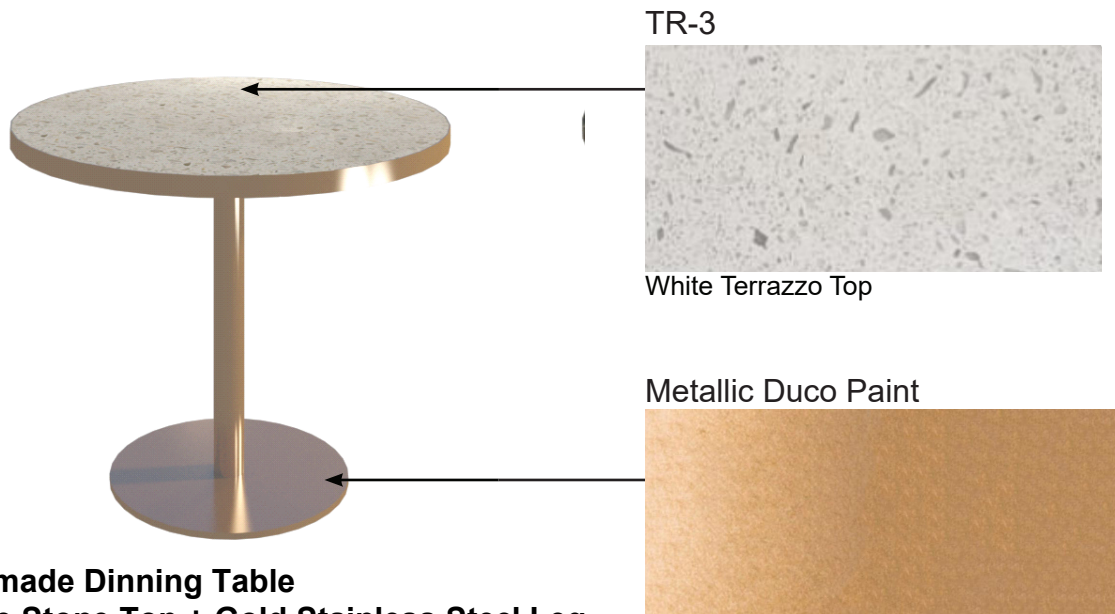
LOOSE FURNITURE - TABLES



Deccan Manor, Ground Floor
Kashinath Dhuru Marg
Near Siddhivinayak Mandir
Prabhadevi, Mumbai, 400025
abm@abmarchitects.com

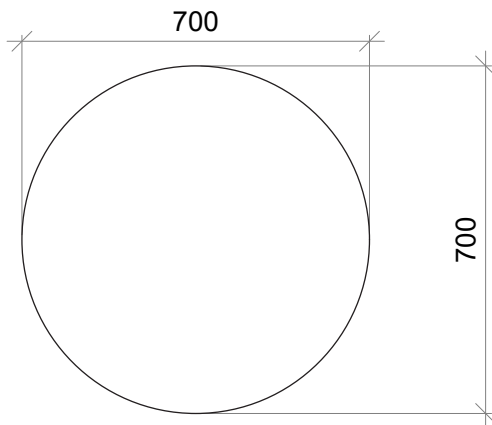
PROJECT	T1 LOUNGES - DOMESTIC LOUNGE PHASE 2
ISSUE DATE	JANUARY 22, 2024
VERSION	1

Item Number	CT-03
Location	TEA GARDEN
Item Description	Dining Table
Manufacturer	
Quantity	14 nos.

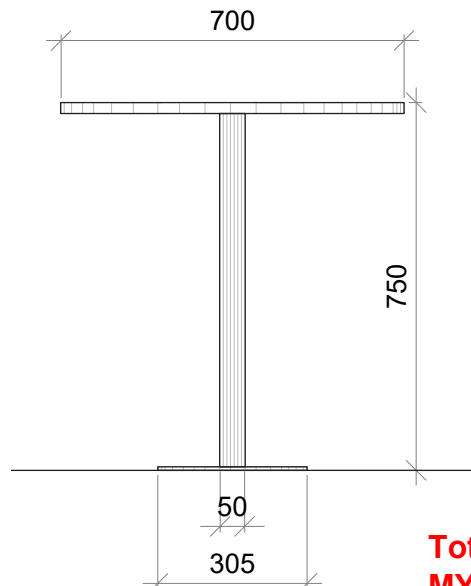


Custom-made Dinning Table
Matt Slate Stone Top + Gold Stainless Steel Leg
Dia700 X H750mm

MYR 559
INR 9,809.26



PLAN



FRONT ELEV

Total:
MYR 7,826
INR 137,329.63

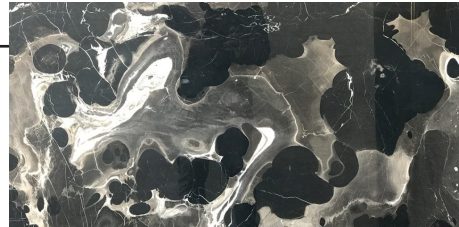
LOOSE FURNITURE - TABLES

PROJECT	T1 LOUNGES - DOMESTIC LOUNGE PHASE 2
ISSUE DATE	JANUARY 22, 2024
VERSION	1

Item Number	CT-04
Location	LIVE DINING
Item Description	Dining Table
Manufacturer	
Quantity	4 nos.



ITM-1



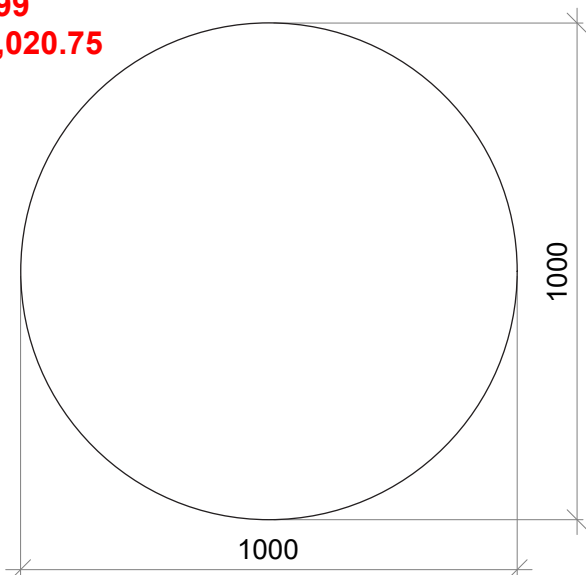
Black Rose Marble Top

Metallic Duco Paint

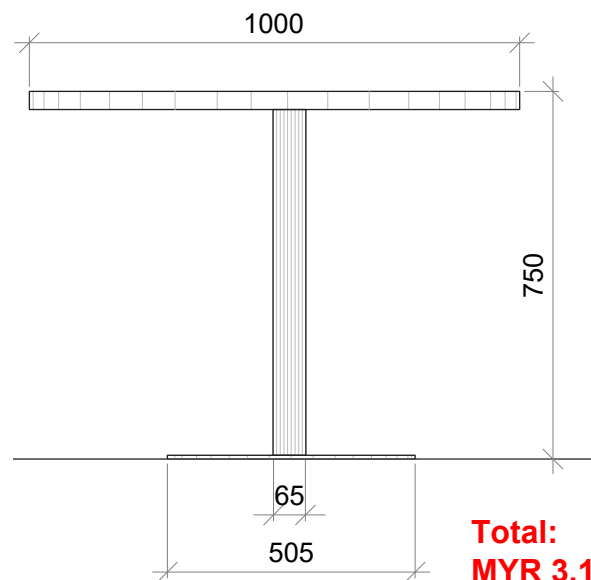


Custom-made Dinning Table
Matt Slate Stone Top + Gold Stainless Steel Leg
Dia1000 X H750mm

MYR 799
INR 14,020.75



PLAN



FRONT ELEV

Total:
MYR 3,196
INR 56,082.99

LOOSE FURNITURE - TABLES

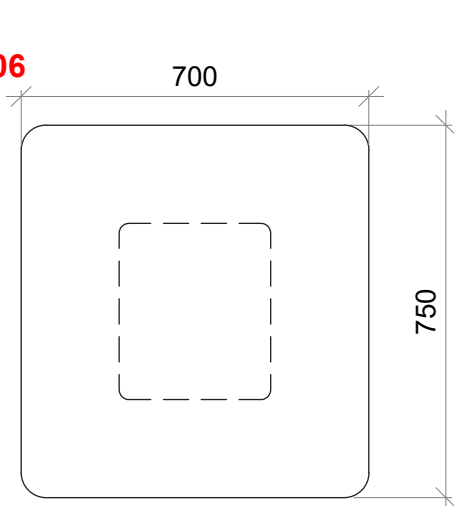
PROJECT	T1 LOUNGES - DOMESTIC LOUNGE PHASE 2
ISSUE DATE	JANUARY 22, 2024
VERSION	1

Item Number	D-LF-01
Location	LIVE DINING
Item Description	Dining Table
Manufacturer	
Quantity	4 nos.

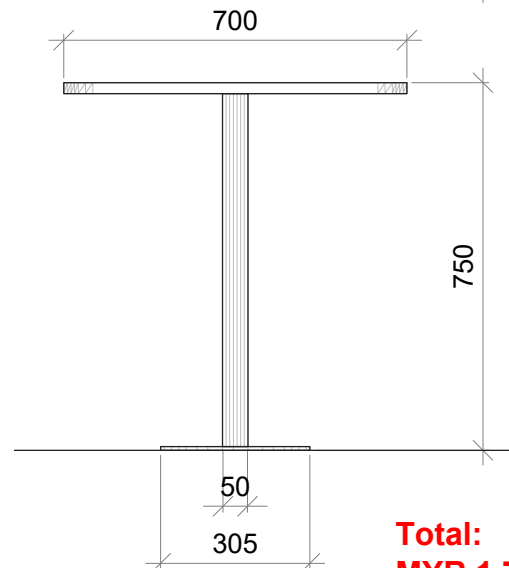


Custom-made Dining Table
Matt Slate Stone Top + Gold Stainless Steel Leg
W700 X D700 X H750mm

MYR 440
INR 7,721.06



PLAN



FRONT ELEV

Total:
MYR 1,760
INR 30,884.25

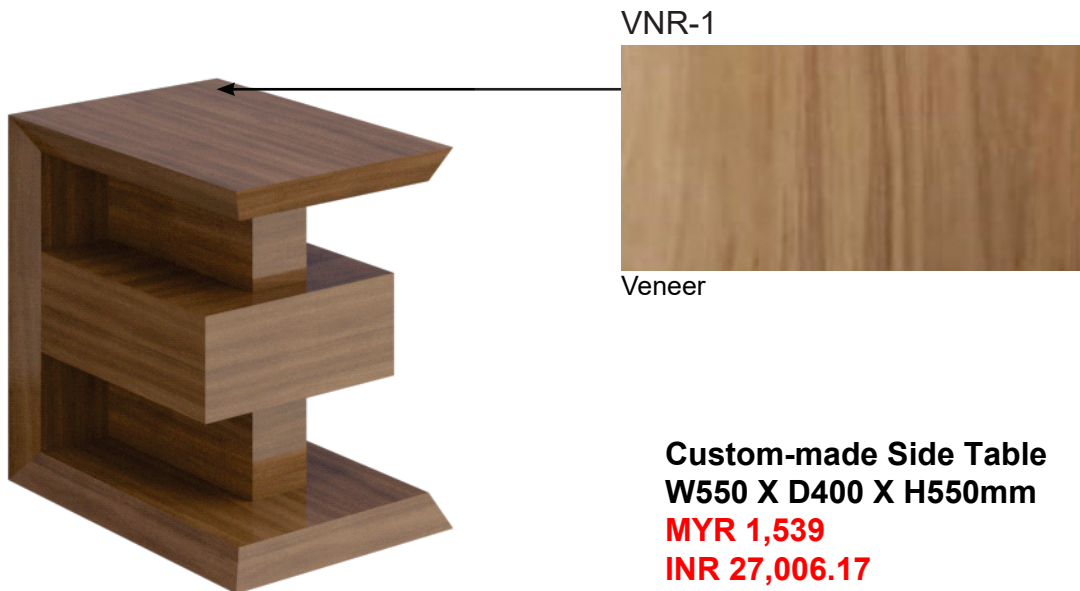
LOOSE FURNITURE - TABLES



Deccan Manor, Ground Floor
Kashinath Dhuru Marg
Near Siddhivinayak Mandir
Prabhadevi, Mumbai, 400025
abm@abmarchitects.com

PROJECT	T1 LOUNGES - DOMESTIC LOUNGE PHASE 2
ISSUE DATE	JANUARY 22, 2024
VERSION	1

Item Number	ST-01
Location	RELAX LOUNGE
Item Description	Side Table
Manufacturer	
Quantity	22 nos.

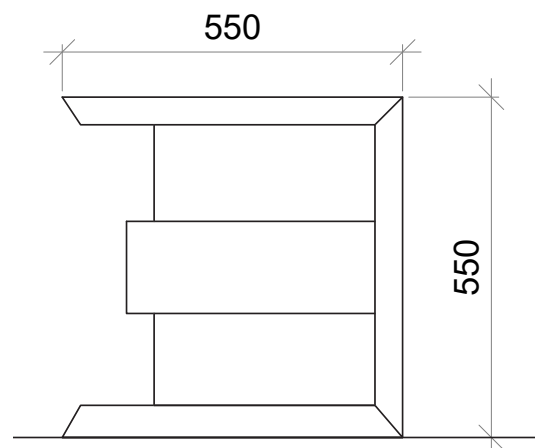
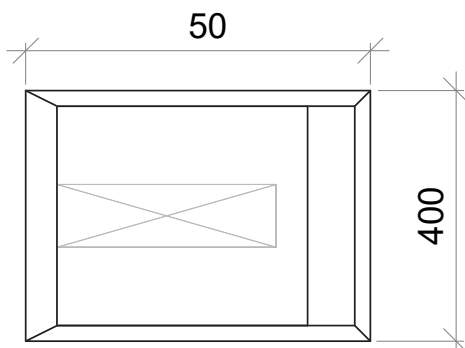


VNR-1

Veneer

Custom-made Side Table
W550 X D400 X H550mm
MYR 1,539
INR 27,006.17

Total:
MYR 33,858
INR 594,135.78



Modesco Sdn Bhd
Philip Tan / Elaine Ng
011-2222 1333 / 012-380 3890
04.03.24



- *REMARK:
- *Price stated above is ex-factory price (exclude delivery charge to India).
- *Fabric/PU use Sunperry Fabric/PU color selection.
- *Lead Time: 7-8 weeks (Ready at Kuala Lumpur warehouse)
- *Terms: PO Required. 50% Deposit(Non-refundable) to start production and 50% balance before delivery.
- *Validity: 30 days from Quotation Date.

Grand Total:
MYR 169,712.00
INR 2,978,083.98