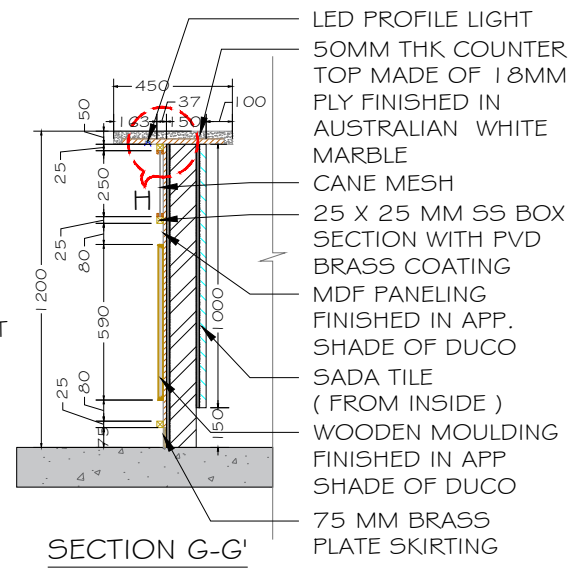
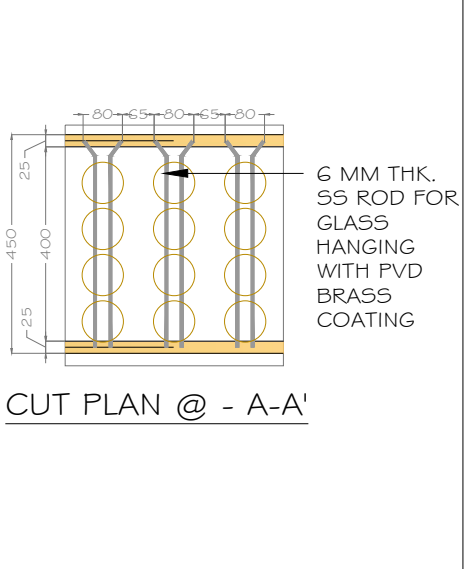


FRONT ELEVATION

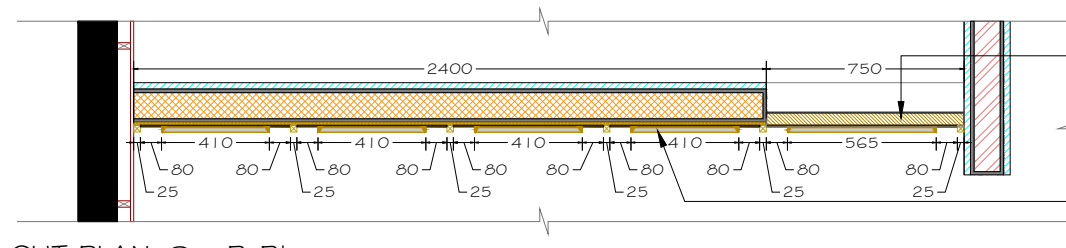
- 50MM THK COUNTER TOP MADE OF 18MM PLY FINISHED IN AUSTRALIAN WHITE MARBLE
- CANE MESH
- 25 X 25 MM SS BOX SECTION WITH PVD BRASS COATING
- WOODEN MOULDING FINISHED WITH APP. SHADE OF DUCO PAINT
- MDF PANELING FINISH IN APP. SHADE OF DUCO PAINT
- 25 X 25 MM SS BOX SECTION WITH PVD BRASS COATING
- 75 MM BRASS PLATE SKIRTING



SECTION G-G'

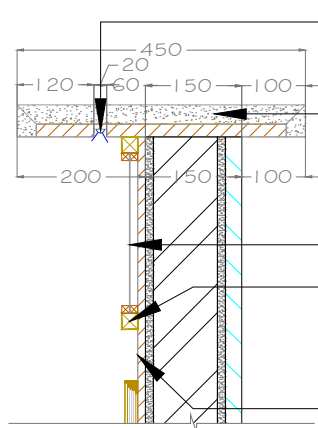


CUT PLAN @ - A-A'



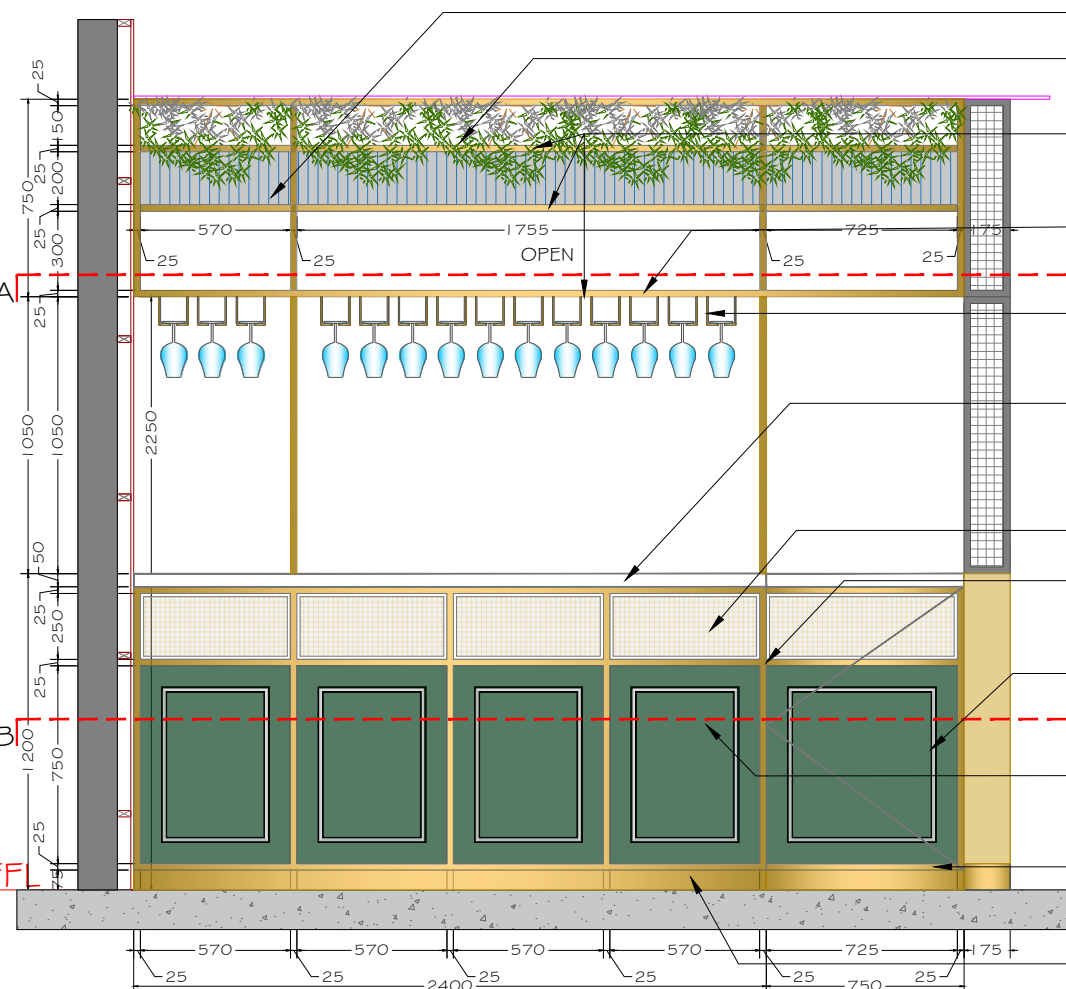
CUT PLAN @ - B-B'

- WICKET DOOR
- MDF PANELING AND MOULDING FINISHED IN APP. SHADE OF DUCO PAINT



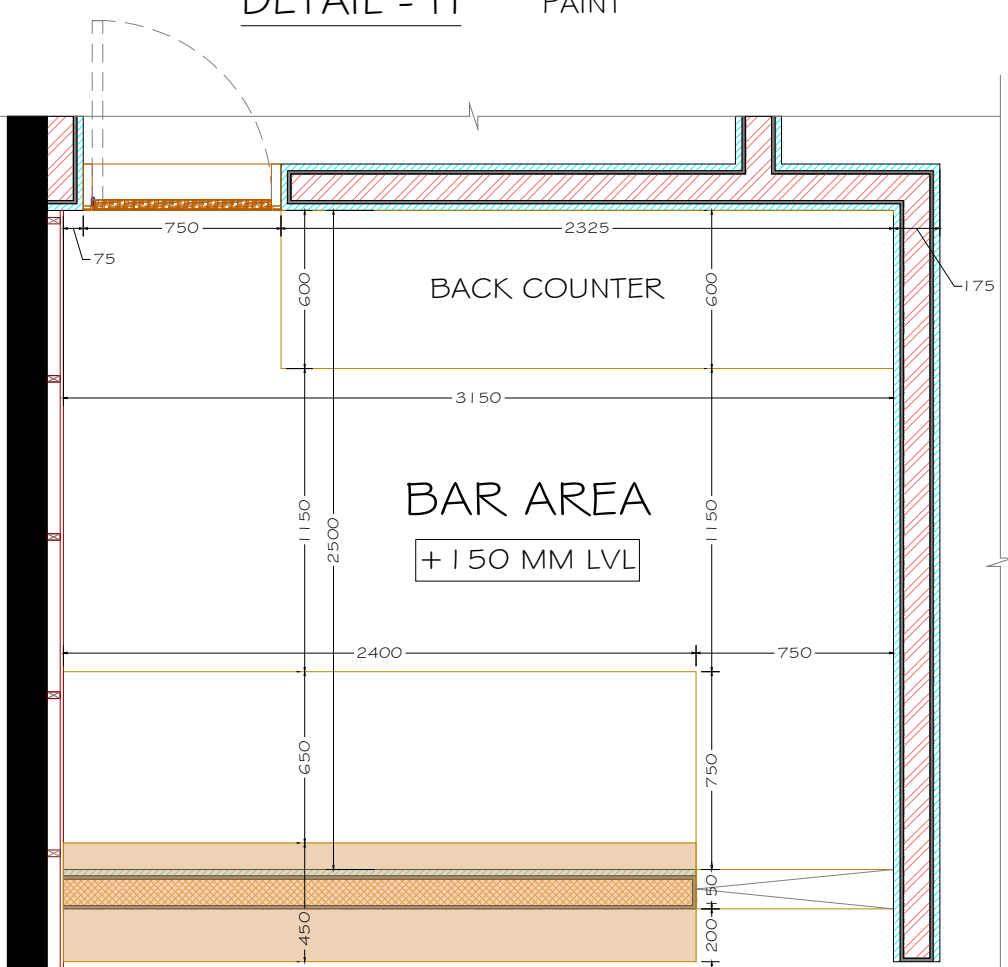
DETAIL - H

- LED PROFILE LIGHT
- 50MM THK COUNTER TOP MADE OF 18MM PLY FINISHED IN AUSTRALIAN WHITE MARBLE
- CANE MESH
- 25 X 25 MM SS BOX SECTION WITH PVD BRASS COATING
- MDF PANELING AND MOULDING FINISHED IN APP. SHADE OF DUCO PAINT

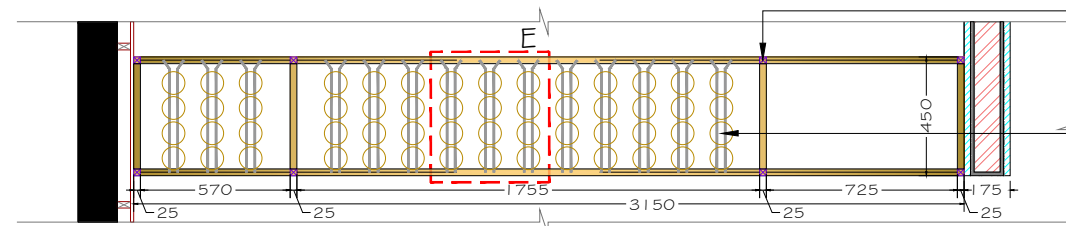


FRONT ELEVATION

- FLUTED GLASS
- HANGING PLANTS, CREEPERS
- OPEN SHELVE 10 MM THK TOUGHENED GLASS
- 25 X 25 MM SS BOX SECTION WITH PVD BRASS COATING
- BAR HANGING RACK
- 50MM THK COUNTER TOP MADE OF 18MM PLY FINISHED IN AUSTRALIAN WHITE MARBLE
- CANE MESH
- 25 X 25 MM SS BOX SECTION WITH PVD BRASS COATING
- WOODEN MOULDING FINISHED WITH APP. SHADE OF DUCO PAINT
- MDF PANELING FINISH IN APP. SHADE OF DUCO PAINT
- 25 X 25 MM SS BOX SECTION WITH PVD BRASS COATING
- 75 MM BRASS PLATE SKIRTING

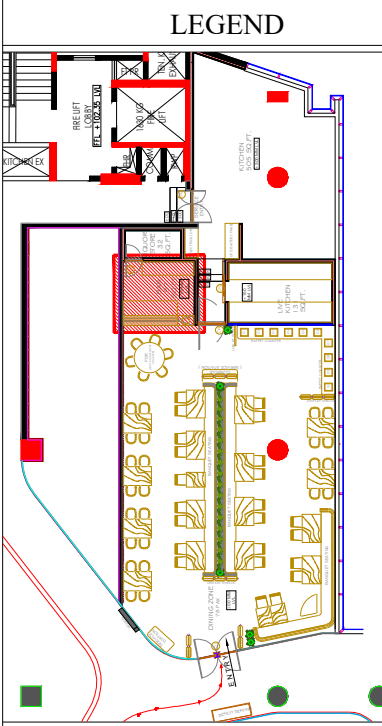


PLAN



CUT PLAN @ - A-A'

- 25 X 25 MM SS BOX SECTION WITH PVD BRASS COATING
- GLASS HANGING RACK



REVISIONS		
NO.	DATE.	DESCRIPTION

SIGN	STAMP

<input type="checkbox"/>	FOR APPROVAL
<input type="checkbox"/>	FOR TENDER
<input type="checkbox"/>	GOOD FOR CONSTRUCTION
<input type="checkbox"/>	FOR COORDINATION
<input type="checkbox"/>	FOR ACTION/INFORMATION

CLIENT
DELUXE CATERERS PVT. LTD.

PROJECT
COPPER CHIMNEY
PRESTIGE, BANGLORE

NOTES:
 • ALL DRAWING IS IN MM
 • THIS DRAWING IS A RIGHT & PROPERTY OF ARCHITECT NOT TO BE PRODUCED, COPIED, HANDED OVER TO THIRD PARTY OR USED FOR ANY OTHER PURPOSE OTHER THAN FOR WHICH IT IS INTENDED AND REMAIN OUR SOLE PROPERTY.
 • ONLY WRITTEN DIMENSIONS TO BE FOLLOWED.
 • THE CONTRACTOR MUST CHECK ALL DIMENSIONS & DETAILS & BE RESPONSIBLE FOR THE SAME. ANY DISCREPANCY SHALL BE BROUGHT TO THE NOTICE OF THE ARCHITECT
 • THIS DRAWING SHOULD BE READ IN CONJUNCTION WITH RELEVANT
 • WORKING & DETAILED DRAWINGS.
 • ALL DIMENSIONS SHALL BE VERIFIED ON SITE PRIOR TO START OF WORK

ara
DESIGNS
 1st flr dwarka, 57 tagore road, santacruz west, mumbai 400 054
 Tel : 26482236 / 26482237

SCALE	BY SHOWN
DRN. BY	PRIYANKA
DATE	09.07.2024
JOB/DRG. NO	CC_P_B_41

BAR DETAIL 01