



solo per professionisti

Sirman Spa
 Viale dell'Industria 9/11
 35010 PIEVE DI CURTAROLO (PD), Italy
 Tel./Fax. +39 049 9698666 / +39 049 9698688
 email: info@sirman.com



Sirman Blenders , model Orione Q :

Professional mixer designed to cater for specific requirements of bars, restaurants, cafeterias, etc.

- Extruded aluminium machine body and sides in ABS.
- Membrane sealing system to prevent fluids from entering inside the machine.
- Powerful motor with forced ventilation, for prolonged use and enhanced durability.
- Magnetic safety micro-switch on glass lid without forced position.
- Siliconic membrane controls with ON, OFF Pulse button and NVR device.
- Speed variator.
- 2-Litre square glass made in unbreakable transparent Tritan, graduated in litres, UK and U.S. gallons.
- Very practical, with possibility of pouring in 3 different directions, ideal in the preparation of frozen drinks, Smoothies with syrups and concentrates.
- Glass lid in rubber with plug for adding ingredients.
- Stainless steel transmission hub body; can be easily separated from the glass body for easy cleaning.
- Cutters shaft supported by ball bearings to prevent overheating and to guarantee enhanced durability.
- Star drive in high-resistance sintered steel.
- 4-Spoke cutter obtained from a single pressing of hardened steel for blades also suitable for crushing ice.
- The square glass was designed for optimal operation with large quantities of ice, even of the dry type.
- Practical and functional: the product can be poured in 3 different directions.
- Ideal in the preparation of frozen drinks, Smoothies with syrups and concentrates.
- Multi-point motor drive in stainless steel.

Other versions:

- 1 or 2 glass version
- Orione Timer: manual adjustment timer and automatic machine switch off
- Orione Plus: electronic version with 9 pre-set processing programs.



Stackable jug

Orione Plus VV - 9 pre-set programs

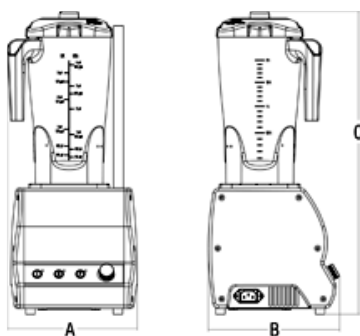


Orione Timer VV

Orione VV

Orione 2Q VV

Data sheet



Technical data

Model	Orione Q VV	Orione 2 Q VV
Power	watt 750 - Hp 1	watt 750+750 / Hp 1+1
Power source	1ph	1ph
Revolutions	rpm 8.000÷16.000	rpm 8.000÷16.000
Jug capacity	lt 2	lt 2 + 2
A	mm 202	mm 380
B	mm 210	mm 210
C	mm 486	mm 486
Net weight	kg 5	kg 10
Shipping	mm 310x300x530	mm 480x300x530
Gross weight	kg 7	kg 12
HS-CODE	84388091	