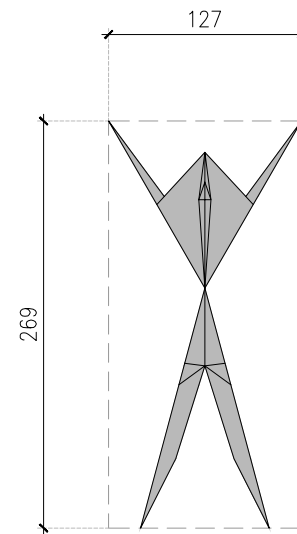
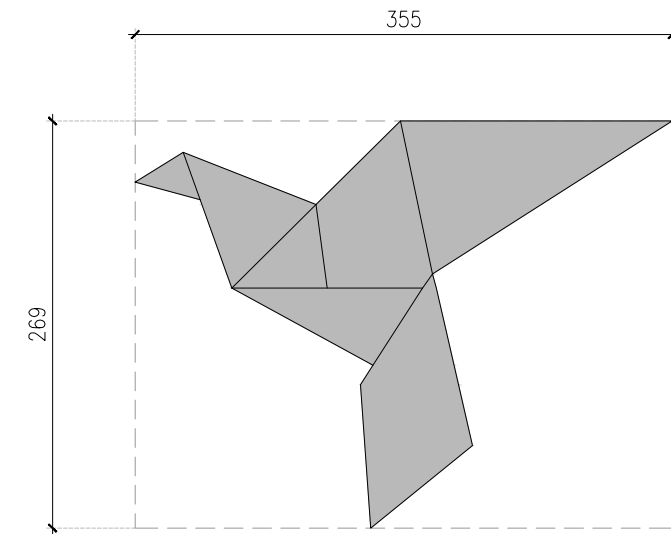


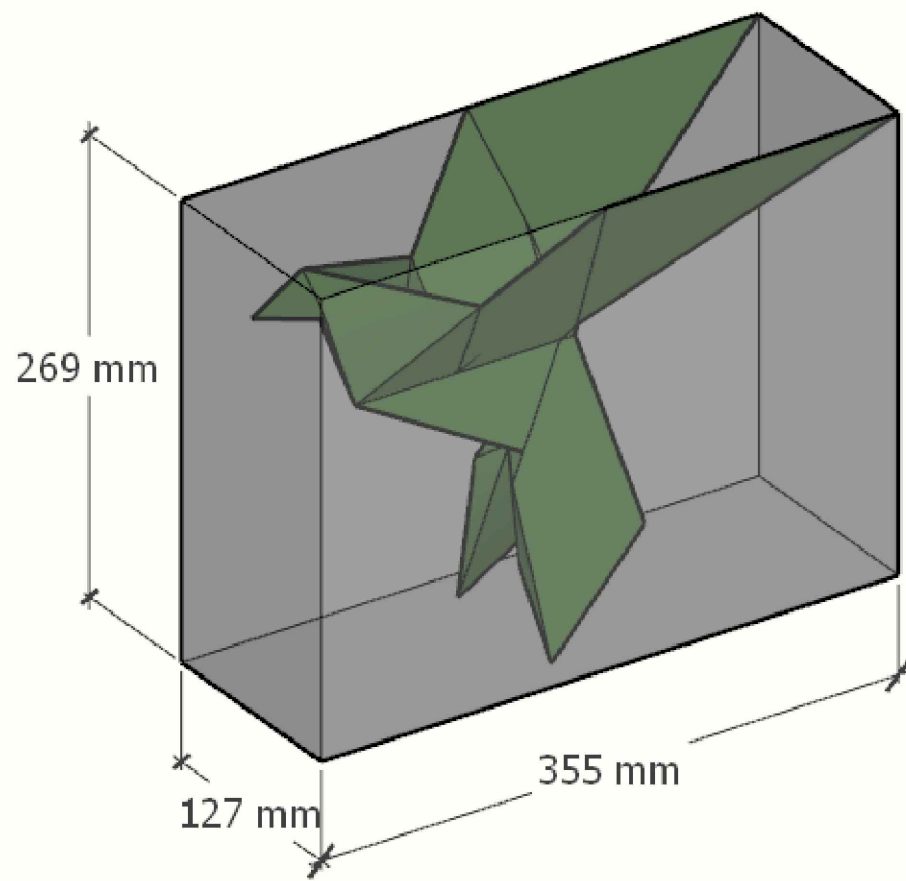
TOP VIEW (SCALE 1:5)



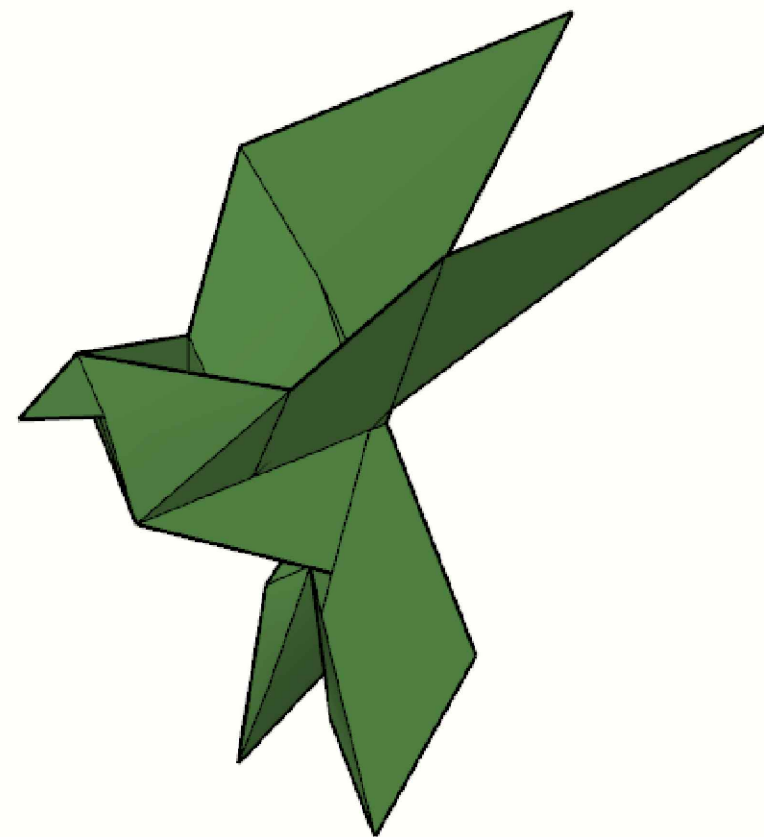
FRONT VIEW (SCALE 1:5)



SIDE VIEW (SCALE 1:5)



REFERENCE IMAGE FROM MODEL



CONCEPT IMAGE