

LOOSE FURNITURE - SEATING



Deccan Manor, Ground Floor
Kashinath Dhuru Marg
Near Siddhivinayak Mandir
Prabhadevi, Mumbai, 400025
abm@abmarchitects.com

PROJECT	T1 LOUNGES - DOMESTIC LOUNGE PHASE 2
ISSUE DATE	NOVEMBER 2024
VERSION	8

Notes:

1. All materials and methods of construction must comply with India local fire & life safety codes and ABM standards.
2. Must be of contract quality and suitable for commercial use.
3. Manufacturer to provide ABM with finish samples prior to fabrication.
4. Manufacturer to provide ABM with shop drawings prior to fabrication.
5. Manufacturer must provide a structurally sound product with proper proportions to insure stability and prevent tipping.
6. Insure that piece will fit in elevators and through doors prior to commencing fabrication. All images, photographs and renderings of specified items contained in this specification package are for general design intent and reference only.
7. All metal parts must be guaranteed against rust and corrosion.
8. Provide heavy duty nylon carpet glides/adjustable levelers.
9. Metal finishes to have clear rust inhibitor for humidity protection to prevent rust and corrosion. Manufacturer to ensure materials are noncorrosive and suitable for use in high humidity and salt air locations as required. All exposed metal to be of a gauge appropriate to item and have no visible welded joints.
11. Manufacturer must review design concept and inform purchasing agent of any problems or discrepancies prior to fabrication.

LOOSE FURNITURE - SEATING



Deccan Manor, Ground Floor
Kashinath Dhuru Marg
Near Siddhivinayak Mandir
Prabhadevi, Mumbai, 400025
abm@abmarchitects.com

PROJECT	T1 LOUNGES - DOMESTIC LOUNGE PHASE 2
ISSUE DATE	NOVEMBER 2024
VERSION	8

Item Number	SC-1
Location	RELAX LOUNGE
Item Description	Armchair 1
Manufacturer	Purple 9
Finish	•Upholstery fabric as per image attached from Arc One, Mumbai •Legs in New Burma teak wood with approved staining
Quantity	16 nos.
Size	Overall W-D-H: 817x760x870 mm
	Inside Seating W-D-H: 530x575x475mm (Seating width changed)



SC-1.1

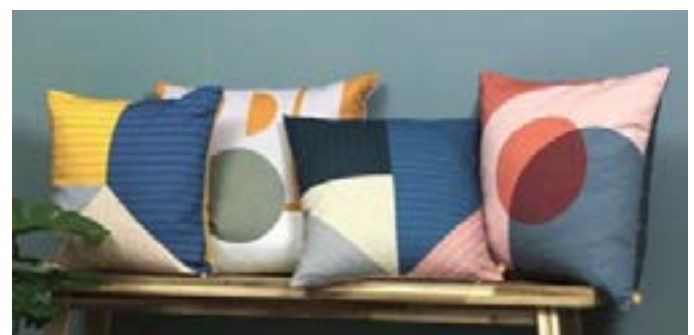


ANAARA – MARIGOLD- 8342

Burma Teakwood



Cushion



Similar printed cushions.

Artwork files will be given to vendor by ABM.

All logos/labels on the seating to include the 080 logo

LOOSE FURNITURE - SEATING



Deccan Manor, Ground Floor
Kashinath Dhuru Marg
Near Siddhivinayak Mandir
Prabhadevi, Mumbai, 400025
abm@abmarchitects.com

PROJECT	T1 LOUNGES - DOMESTIC LOUNGE PHASE 2
ISSUE DATE	NOVEMBER 2024
VERSION	8

Item Number	SC-2
Location	RELAX LOUNGE
Item Description	Armchair 2
Manufacturer	Purple 9
Finish	<ul style="list-style-type: none"> •Upholstery fabric as per image attached from Arc One, Mumbai •Legs in New Burma teak wood with approved staining
Quantity	7 nos.
Size	W - 822mm x D - 947mm
	Seat height - 468mm, Back height - 882mm

SC-2.1



ANAARA - RUST- 01

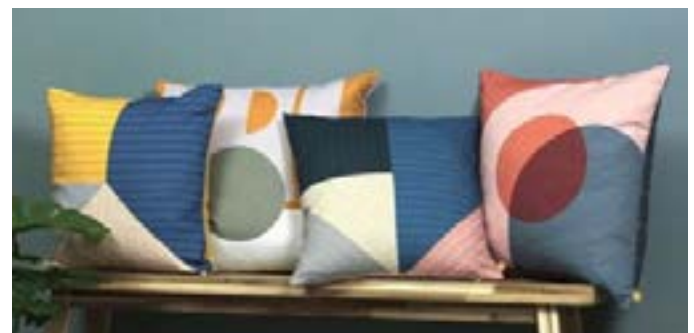
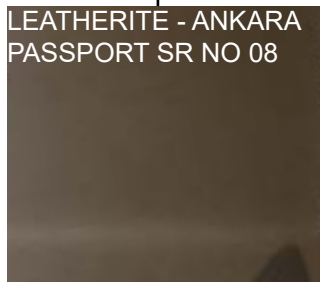
Burma Teakwood



Cushion

SC-2.2

LEATHERITE - ANKARA
PASSPORT SR NO 08



Similar printed cushions as shown in the 3D.
Artwork files will be given to vendor by ABM.

All logos/labels on the seating to include the 080 logo

LOOSE FURNITURE - SEATING

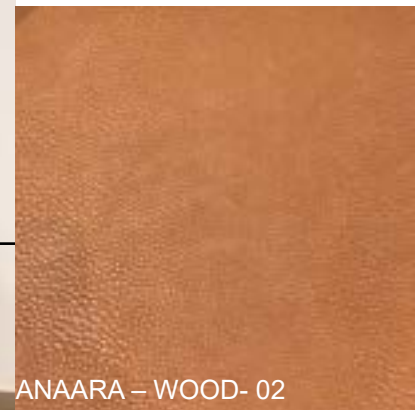


Deccan Manor, Ground Floor
Kashinath Dhuru Marg
Near Siddhivinayak Mandir
Prabhadevi, Mumbai, 400025
abm@abmarchitects.com

PROJECT	T1 LOUNGES - DOMESTIC LOUNGE PHASE 2
ISSUE DATE	NOVEMBER 2024
VERSION	8

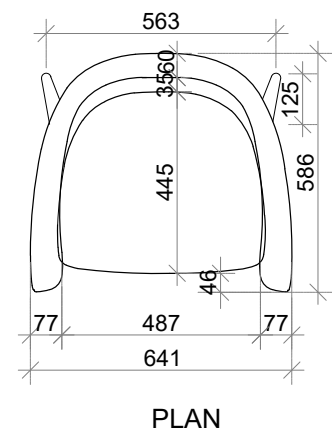
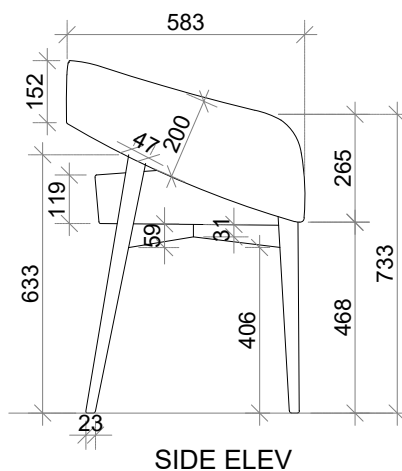
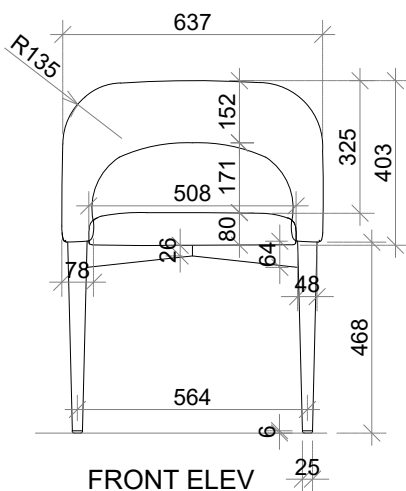
Item Number	SC-3
Location	SPORTS LOUNGE
Item Description	Armchair 3
Manufacturer	Amardeep
Finish	<ul style="list-style-type: none"> •Upholstery leatherite as per image attached from Arc One, Mumbai •Legs in New Burma teak wood with approved staining
Quantity	10 nos.

SC-3.1



ANAARA – WOOD- 02

Burma Teakwood



All logos/labels on the seating to include the 080 logo

LOOSE FURNITURE - SEATING



Deccan Manor, Ground Floor
Kashinath Dhuru Marg
Near Siddhivinayak Mandir
Prabhadevi, Mumbai, 400025
abm@abmarchitects.com

PROJECT	T1 LOUNGES - DOMESTIC LOUNGE PHASE 2
ISSUE DATE	NOVEMBER 2024
VERSION	8

Item Number	SC-4
Location	SPORTS LOUNGE
Item Description	Armchair 4
Manufacturer	Purple 9
Finish	•Upholstery leatherite as per image attached from Arc One, Mumbai •Legs in New Burma teak wood with approved staining
Quantity	13 nos.
Size	Overall W-D-H: 710x860x960mm
	Inside Seating W-D-H: 585x625x460mm Arm Height: 605mm



SC-4.1



Burma Teakwood



Cushion



LOOSE FURNITURE - SEATING



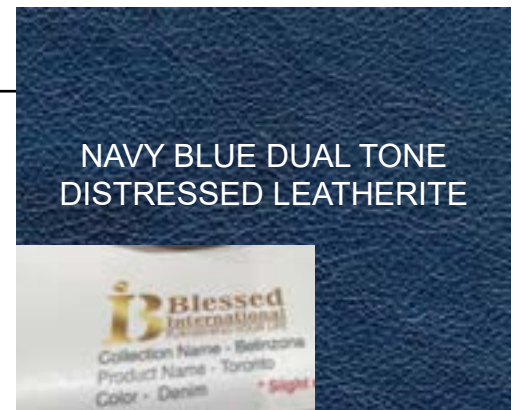
Deccan Manor, Ground Floor
Kashinath Dhuru Marg
Near Siddhivinayak Mandir
Prabhadevi, Mumbai, 400025
abm@abmarchitects.com

PROJECT	T1 LOUNGES - DOMESTIC LOUNGE PHASE 2
ISSUE DATE	NOVEMBER 2024
VERSION	8

Item Number	SC-5
Location	SPORTS LOUNGE
Item Description	Armchair 5
Manufacturer	IEVO
Finish	<ul style="list-style-type: none"> •Upholstery fabric as per image attached from Arc One, Mumbai •Legs in New Burma teak wood with approved staining
Quantity	12 nos.
Size	(Overall): 32 Inches (H) x 22 Inches (W) x 22 Inches (D)
	Seat: 20 Inches [W], 19 Inches [D], & 18 Inches [floor to seat top]
	Seat Back Dimensions: 11.25 Inches (H) x 18.5 Inches (W)



SC-5.1



Burma Teakwood



Buttons to be added at the back

All logos/labels on the seating to include the 080 logo

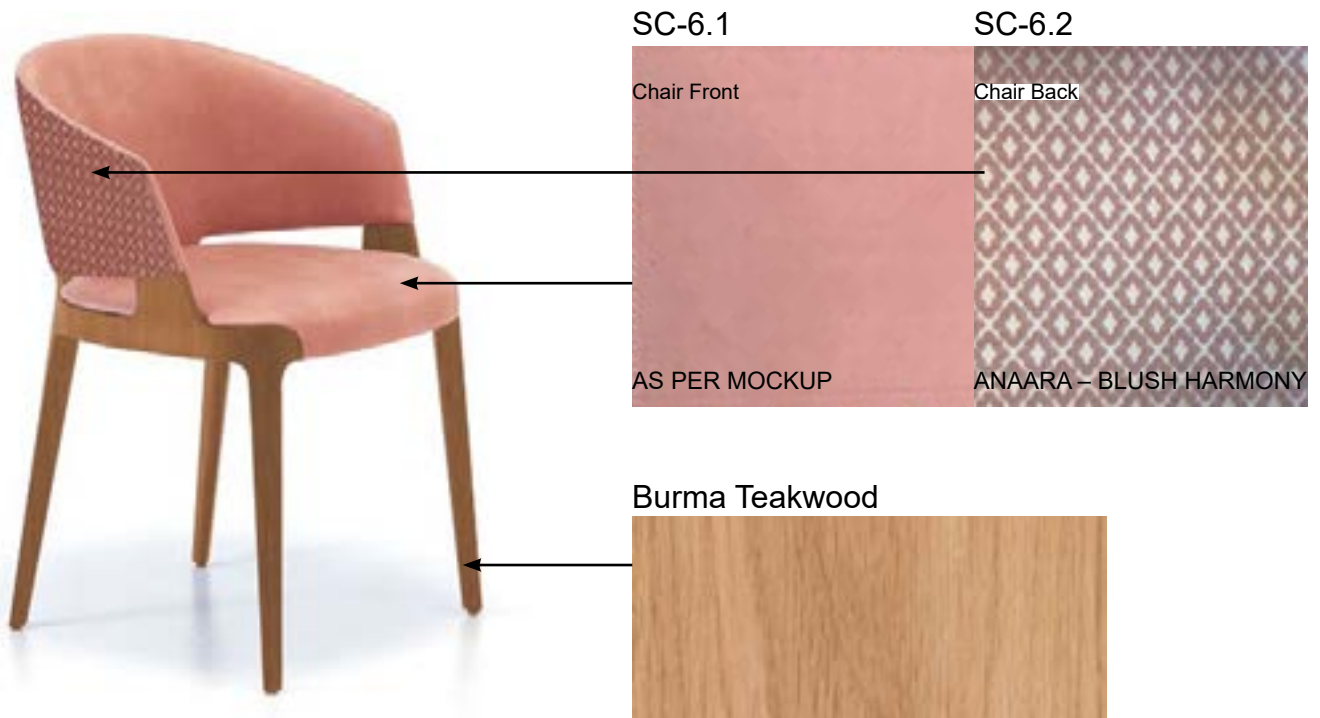
LOOSE FURNITURE - SEATING



Deccan Manor, Ground Floor
Kashinath Dhuru Marg
Near Siddhivinayak Mandir
Prabhadevi, Mumbai, 400025
abm@abmarchitects.com

PROJECT	T1 LOUNGES - DOMESTIC LOUNGE PHASE 2
ISSUE DATE	NOVEMBER 2024
VERSION	8

Item Number	SC-6
Location	TEA GARDEN
Item Description	Armchair 6
Manufacturer	IEVO
Finish	•Upholstery fabric as per image attached from Arc One, Mumbai •Legs in New Burma teak wood with approved staining
Quantity	19 nos.
Size	Total width (21.3 in)
	Total depth (22 in)
	Total height (31.5 in) Seat height (18.9 in)



LOOSE FURNITURE - SEATING



Deccan Manor, Ground Floor
Kashinath Dhuru Marg
Near Siddhivinayak Mandir
Prabhadevi, Mumbai, 400025
abm@abmarchitects.com

PROJECT	T1 LOUNGES - DOMESTIC LOUNGE PHASE 2
ISSUE DATE	NOVEMBER 2024
VERSION	8

Item Number	SC-7
Location	SALON - Reception, Nail Bar
Item Description	Chair
Manufacturer	IEVO
Finish	•Upholstery fabric/leatherite as per image attached from ArcOne, Mumbai •Legs in New Burma teak wood with approved staining
Quantity	4 nos.
Size	Overall: D- 18" W- 19" H-30"
	Seat Height: 18"



SC-7.1

Chair Seat

ANAARA - ELLEN RHUBARB

SC-7.2

Chair Back

ANAARA LAMB WHITE 901

Finish to match Ph1 Furniture Rose Gold Bronze Satin Metal but brushed finished or matte



LOOSE FURNITURE - SEATING



Deccan Manor, Ground Floor
Kashinath Dhuru Marg
Near Siddhivinayak Mandir
Prabhadevi, Mumbai, 400025
abm@abmarchitects.com

PROJECT	T1 LOUNGES - DOMESTIC LOUNGE PHASE 2
ISSUE DATE	NOVEMBER 2024
VERSION	8

Item Number	CH-1					
Location	SPORTS LOUNGE					
Item Description	Bar Stool 1					
Manufacturer	Wickerage / Purple 9					
Finish	<ul style="list-style-type: none"> •Upholstery leatherite as per image attached from Arc One, Mumbai •Legs in New Burma teak wood with approved staining 					
Quantity	11 nos.					
Size	Depth	Width	Height	Seat Width	Seat Depth	Seat Height
	21.5"	22"	41.5"	18"	18.5"	33.5"
	(Seating height increased)					



CH-1.1



Rope to be natural color
Seat cushion to be integrated into chair base and made thicker

Burma Teak Wood



LOOSE FURNITURE - SEATING



Deccan Manor, Ground Floor
Kashinath Dhuru Marg
Near Siddhivinayak Mandir
Prabhadevi, Mumbai, 400025
abm@abmarchitects.com

PROJECT	T1 LOUNGES - DOMESTIC LOUNGE PHASE 2
ISSUE DATE	NOVEMBER 2024
VERSION	8

Item Number	CH-2
Location	SPORTS LOUNGE
Item Description	Bar Stool 2
Manufacturer	Racheta Interiors
Finish	<ul style="list-style-type: none"> •Upholstery leatherite as per image attached from Arc One, Mumbai •Legs in New Burma teak wood with approved staining
Quantity	12 nos.

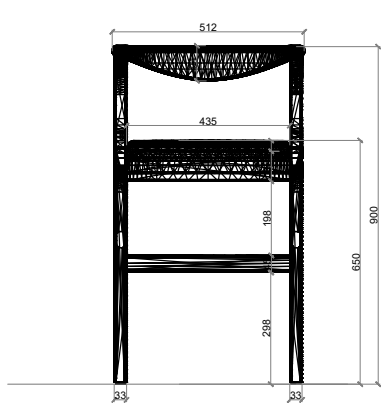


CH-2.1

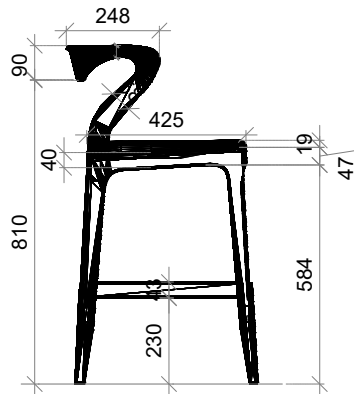
ANAARA – BROWN-02

Burma Teakwood

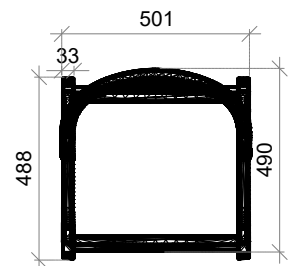
(Seating height reduced)



FRONT ELEV



SIDE ELEV



PLAN

All logos/labels on the seating to include the 080 logo

LOOSE FURNITURE - SEATING

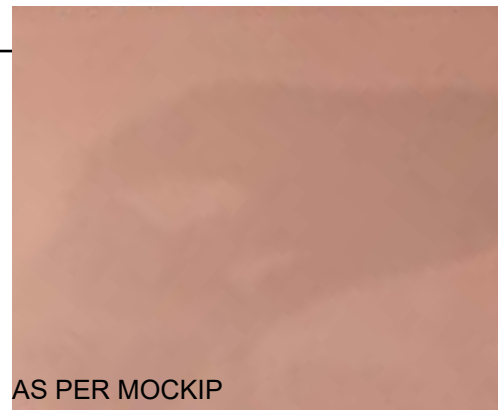


Deccan Manor, Ground Floor
Kashinath Dhuru Marg
Near Siddhivinayak Mandir
Prabhadevi, Mumbai, 400025
abm@abmarchitects.com

PROJECT	T1 LOUNGES - DOMESTIC LOUNGE PHASE 2
ISSUE DATE	NOVEMBER 2024
VERSION	8

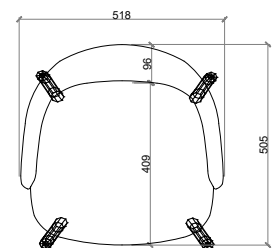
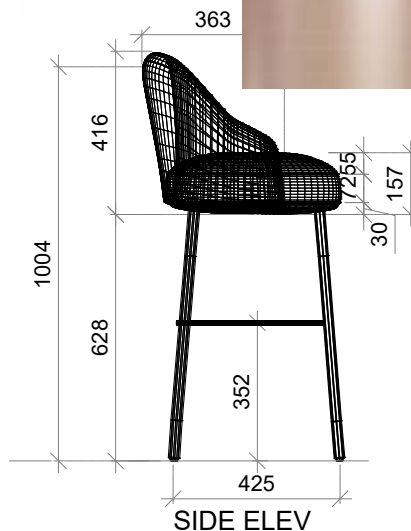
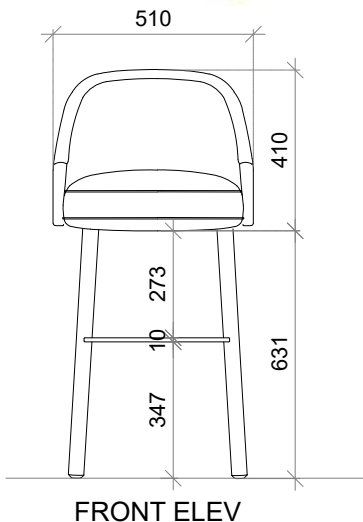
Item Number	CH-3
Location	TEA GARDEN
Item Description	Bar Stool 3
Manufacturer	IEVO
Finish	<ul style="list-style-type: none"> •Upholstery fabric as per image attached from Arc One, Mumbai •Legs in New Burma teak wood with approved staining
Quantity	10 nos.

CH-3.1



AS PER MOCKUP

Finish to match Ph1 Furniture Rose Gold Bronze Satin Metal but brushed finished or matte



All logos/labels on the seating to include the 080 logo

LOOSE FURNITURE - SEATING



Deccan Manor, Ground Floor
Kashinath Dhuru Marg
Near Siddhivinayak Mandir
Prabhadevi, Mumbai, 400025
abm@abmarchitects.com

PROJECT	T1 LOUNGES - DOMESTIC LOUNGE PHASE 2
ISSUE DATE	NOVEMBER 2024
VERSION	8

Item Number	CH-4 & CH-5
Location	DINING AREA
Item Description	Dining Chair 1 & 2
Manufacturer	Racheta Interiors
Finish	•Upholstery fabric as per image attached from Arc One, Mumbai •Legs in New Burma teak wood with approved staining
Quantity	32 nos.
Size	22 x 22 x 36 inch
	(Chair depth reduced)

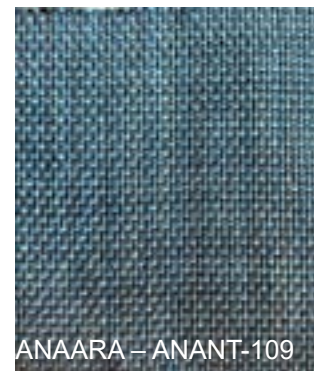


CH-4.1



ANAARA – DENIM
WEAVE-06
14 nos.

CH-5.1



ANAARA – ANANT-109
18 nos.

Burma Teakwood



LOOSE FURNITURE - SEATING



Deccan Manor, Ground Floor
Kashinath Dhuru Marg
Near Siddhivinayak Mandir
Prabhadevi, Mumbai, 400025
abm@abmarchitects.com

PROJECT	T1 LOUNGES - DOMESTIC LOUNGE PHASE 2
ISSUE DATE	NOVEMBER 2024
VERSION	8

Item Number	SF-18
Location	DINING
Item Description	Dining chair
Manufacturer	Amardeep
Finish	<ul style="list-style-type: none">•Upholstery leather as per image attached•Legs in New Burma teak wood with approved staining and PU finish•Seat and backrest exterior in New Burma teak wood with approved staining and PU finish
Quantity	16 nos.



SF-18



Match Ph 1 furniture.

Note: Final selection of fabrics to be done by designer

All logos/labels on the seating to include the 080 logo

LOOSE FURNITURE - SEATING



Deccan Manor, Ground Floor
Kashinath Dhuru Marg
Near Siddhivinayak Mandir
Prabhadevi, Mumbai, 400025
abm@abmarchitects.com

PROJECT	T1 LOUNGES - DOMESTIC LOUNGE PHASE 2
ISSUE DATE	NOVEMBER 2024
VERSION	8

Item Number	SF-19
Location	CONNECT LOUNGE
Item Description	Bar stool
Manufacturer	Amardeep
Finish	•Upholstery leather as per image attached •Legs in SS Bronze Satin/Rose Gold finish
Quantity	12 nos.



Note: Final selection of fabrics to be done by designer
Chair should autoswivel

All logos/labels on the seating to include the 080 logo

LOOSE FURNITURE - SEATING



Deccan Manor, Ground Floor
Kashinath Dhuru Marg
Near Siddhivinayak Mandir
Prabhadevi, Mumbai, 400025
abm@abmarchitects.com

PROJECT	T1 LOUNGES - DOMESTIC LOUNGE PHASE 2
ISSUE DATE	NOVEMBER 2024
VERSION	8

Item Number	MC-1
Location	SALON
Item Description	Massage Chair 1
Manufacturer	Divano Elegante
Finish	•Upholstery leatherite as per image attached from Arc One, Mumbai
Quantity	4 nos.



READY / BOUGHT - OUT

MC-1.1



AS PER VENDOR

LOOSE FURNITURE - SEATING



Deccan Manor, Ground Floor
Kashinath Dhuru Marg
Near Siddhivinayak Mandir
Prabhadevi, Mumbai, 400025
abm@abmarchitects.com

PROJECT	T1 LOUNGES - DOMESTIC LOUNGE PHASE 2
ISSUE DATE	NOVEMBER 2024
VERSION	8

Item Number	SW-1
Location	SALON
Item Description	Swivel Armchair
Manufacturer	Divano Elegante
Finish	•Upholstery leatherite as per image attached from Arc One, Mumbai
Quantity	2 nos.



MC-1.1



READY / BOUGHT - OUT

LOOSE FURNITURE - SEATING



Deccan Manor, Ground Floor
Kashinath Dhuru Marg
Near Siddhivinayak Mandir
Prabhadevi, Mumbai, 400025
abm@abmarchitects.com

PROJECT	T1 LOUNGES - DOMESTIC LOUNGE PHASE 2
ISSUE DATE	NOVEMBER 2024
VERSION	8

Item Number	HW-1
Location	SALON
Item Description	Hairwash chair
Manufacturer	Divano Elegante
Finish	•Upholstery leatherite as per image attached from Arc One, Mumbai
Quantity	1 nos.



MC-1.1



LOOSE FURNITURE - SEATING

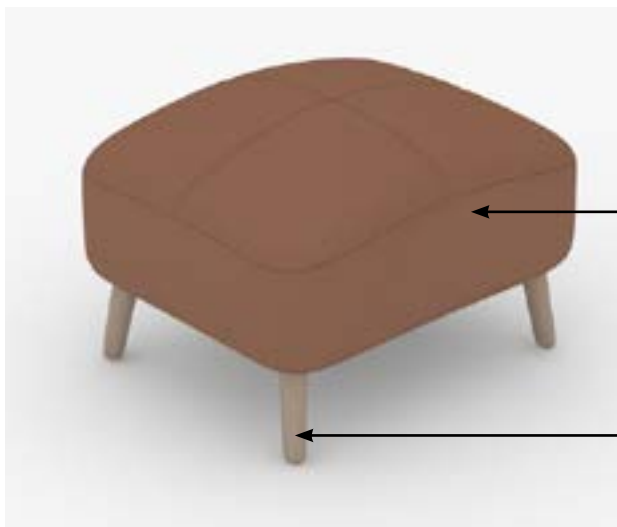


Deccan Manor, Ground Floor
Kashinath Dhuru Marg
Near Siddhivinayak Mandir
Prabhadevi, Mumbai, 400025
abm@abmarchitects.com

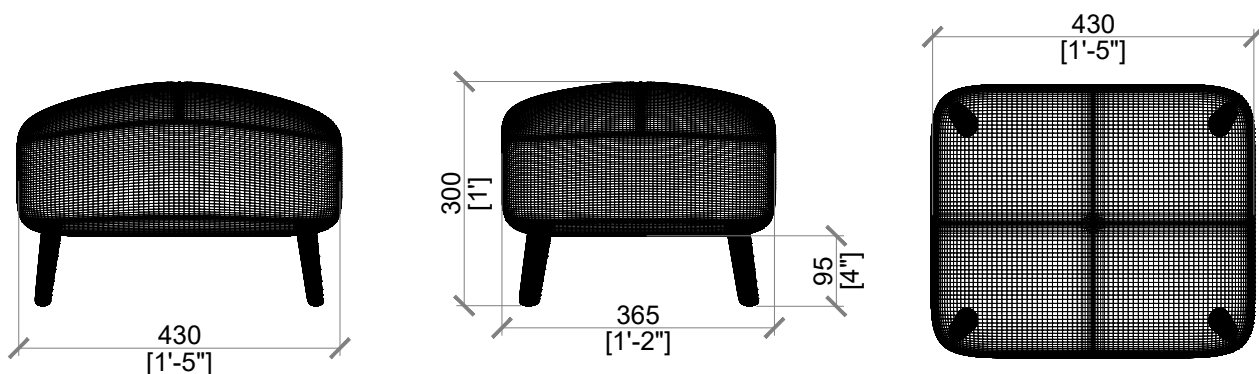
PROJECT	T1 LOUNGES - DOMESTIC LOUNGE PHASE 2
ISSUE DATE	NOVEMBER 2024
VERSION	8

Item Number	ST-1
Location	SALON
Item Description	Foot Stool
Manufacturer	Amardeep
Finish	<ul style="list-style-type: none"> •Upholstery fabric/leatherite as per image attached from ArcOne, Mumbai •Legs in New Burma teak wood with approved staining
Quantity	4 nos.
Size	D x W x H - 14" x 17" x 12"

ST-1.1



Burma Teakwood



All logos/labels on the seating to include the 080 logo

LOOSE FURNITURE - SEATING



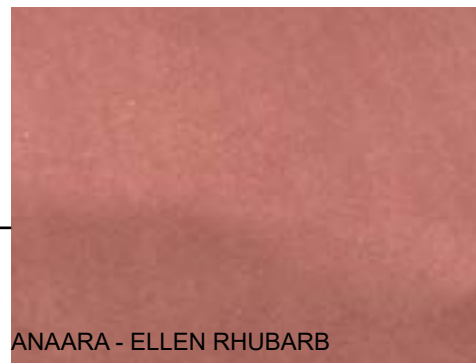
Deccan Manor, Ground Floor
Kashinath Dhuru Marg
Near Siddhivinayak Mandir
Prabhadevi, Mumbai, 400025
abm@abmarchitects.com

PROJECT	T1 LOUNGES - DOMESTIC LOUNGE PHASE 2
ISSUE DATE	NOVEMBER 2024
VERSION	8

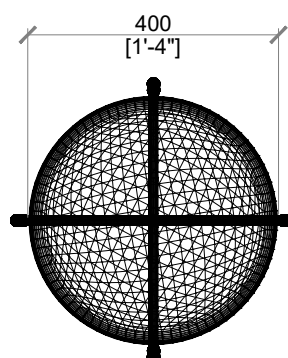
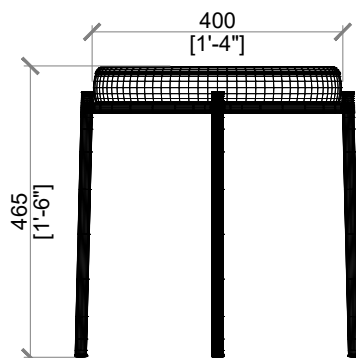
Item Number	ST-2
Location	SALON
Item Description	Low Stool
Manufacturer	Amardeep
Finish	<ul style="list-style-type: none"> •Upholstery fabric/leatherite as per image attached from ArcOne, Mumbai •Legs in New Burma teak wood with approved staining
Quantity	6 nos.
Size	Diameter - 16"
	Height - 18"



ST-2.1



Finish to match Ph1 Furniture Rose Gold Bronze Satin Metal but brushed finished or matte



All logos/labels on the seating to include the 080 logo

LOOSE FURNITURE - TABLES



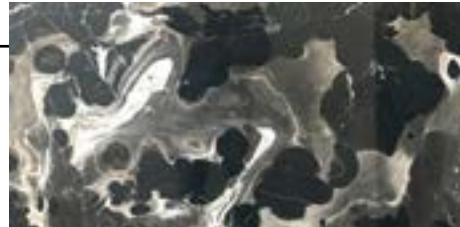
Deccan Manor, Ground Floor
Kashinath Dhuru Marg
Near Siddhivinayak Mandir
Prabhadevi, Mumbai, 400025
abm@abmarchitects.com

PROJECT	T1 LOUNGES - DOMESTIC LOUNGE PHASE 2
ISSUE DATE	NOVEMBER 2024
VERSION	8

Item Number	CT-01
Location	RELAX LOUNGE
Item Description	Center Table
Manufacturer	Amardeep
Quantity	4 nos.

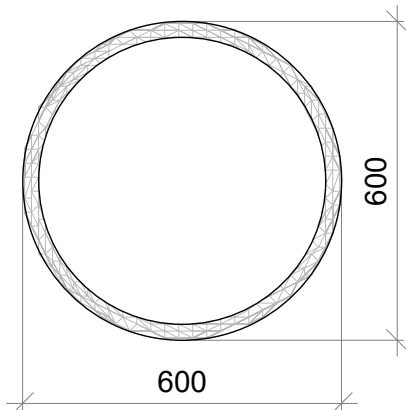


ITM-1

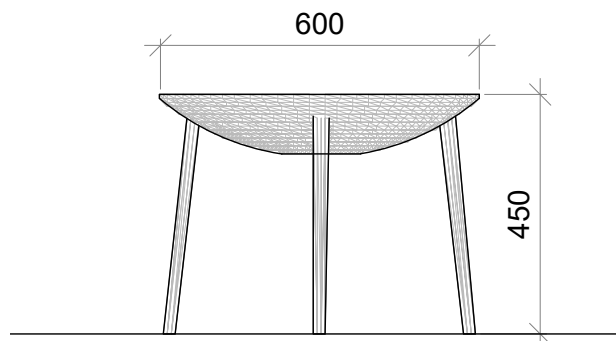


Black Rose Marble Top with lamination coating

Finish to match Ph1 Furniture Rose Gold
Bronze Satin Metal but brushed finished or
matte



PLAN



FRONT ELEV

LOOSE FURNITURE - TABLES



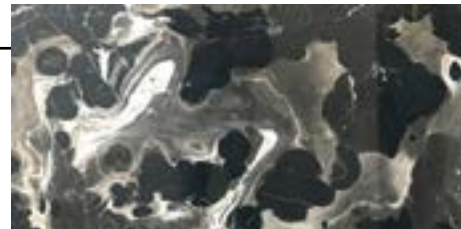
Deccan Manor, Ground Floor
Kashinath Dhuru Marg
Near Siddhivinayak Mandir
Prabhadevi, Mumbai, 400025
abm@abmarchitects.com

PROJECT	T1 LOUNGES - DOMESTIC LOUNGE PHASE 2
ISSUE DATE	NOVEMBER 2024
VERSION	8

Item Number	CT-02
Location	SPORTS LOUNGE, LIVE DINING
Item Description	Dining Table
Manufacturer	Amardeep
Quantity	15 nos.



ITM-1

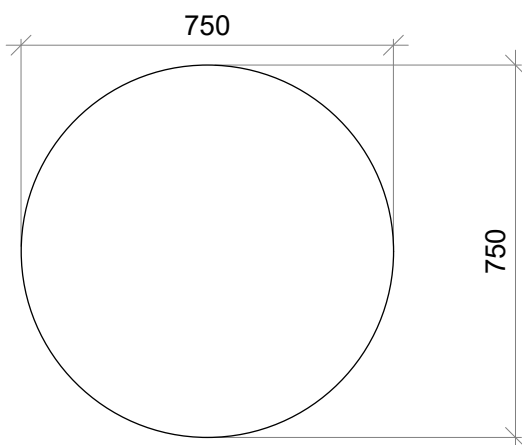


Black Rose Marble Top with lamination coating

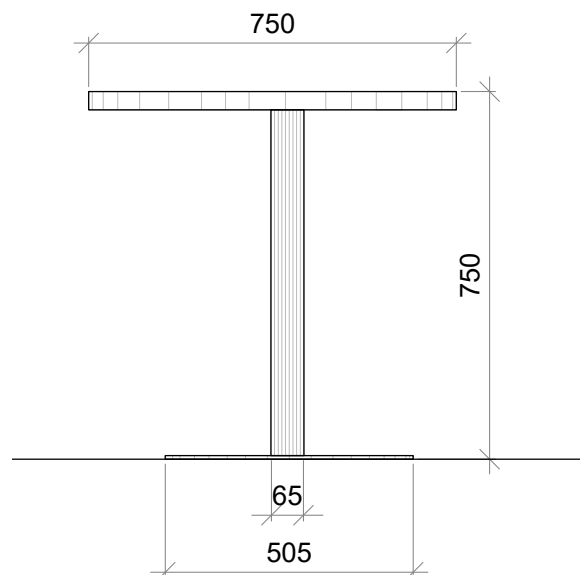
Finish to match Ph1 Furniture Rose Gold
Bronze Satin Metal but brushed finished or
matte



MOCKUP NOT NEEDED DONE IN PH 1



PLAN



FRONT ELEV

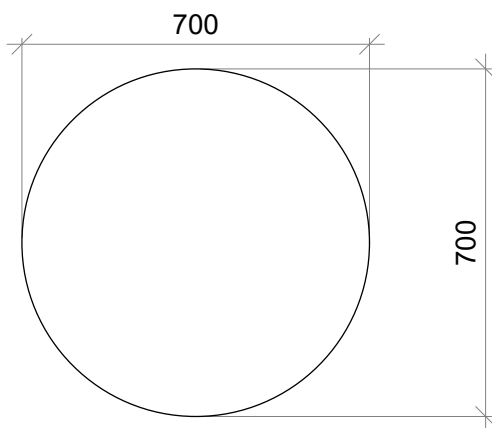
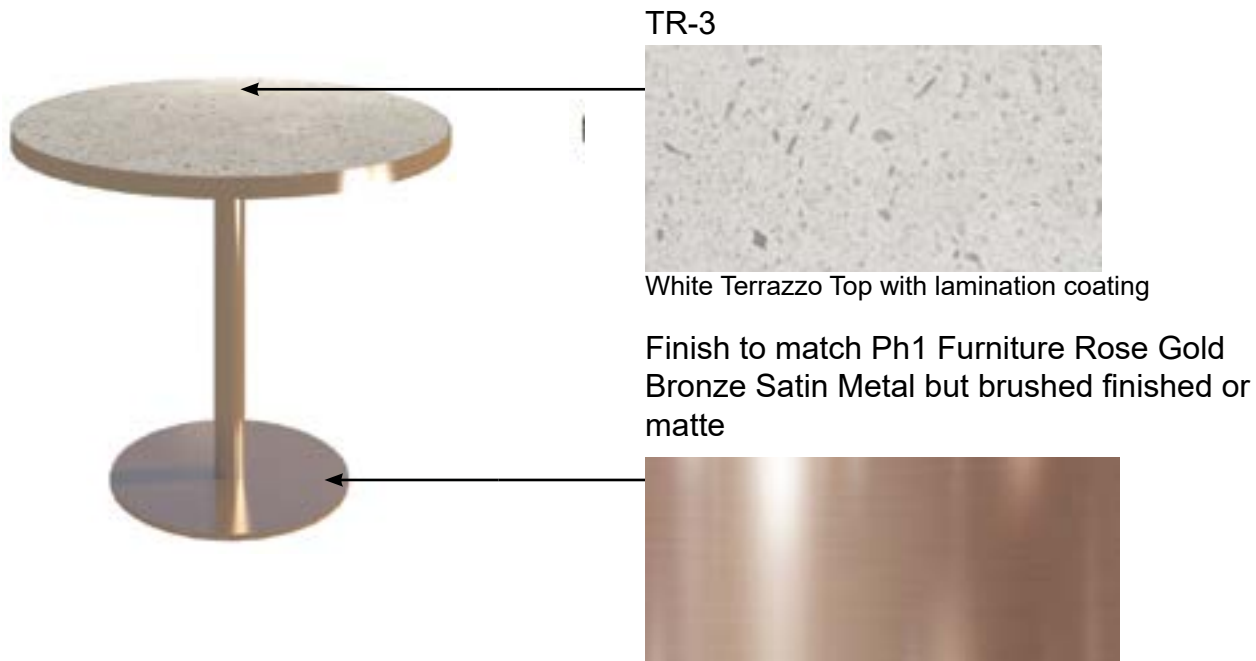
LOOSE FURNITURE - TABLES



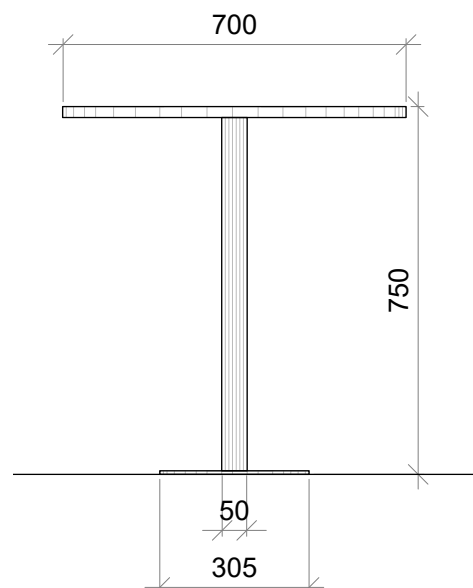
Deccan Manor, Ground Floor
Kashinath Dhuru Marg
Near Siddhivinayak Mandir
Prabhadevi, Mumbai, 400025
abm@abmarchitects.com

PROJECT	T1 LOUNGES - DOMESTIC LOUNGE PHASE 2
ISSUE DATE	NOVEMBER 2024
VERSION	8

Item Number	CT-03
Location	TEA GARDEN
Item Description	Dining Table
Manufacturer	Amardeep
Quantity	14 nos.



PLAN



FRONT ELEV

LOOSE FURNITURE - TABLES



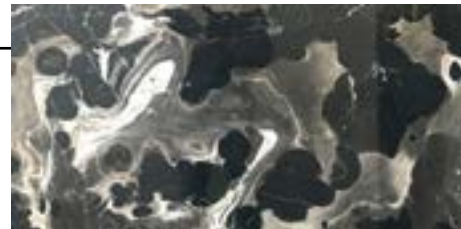
Deccan Manor, Ground Floor
Kashinath Dhuru Marg
Near Siddhivinayak Mandir
Prabhadevi, Mumbai, 400025
abm@abmarchitects.com

PROJECT	T1 LOUNGES - DOMESTIC LOUNGE PHASE 2
ISSUE DATE	NOVEMBER 2024
VERSION	8

Item Number	CT-04
Location	LIVE DINING
Item Description	Dining Table
Manufacturer	Amardeep
Quantity	4 nos.



ITM-1

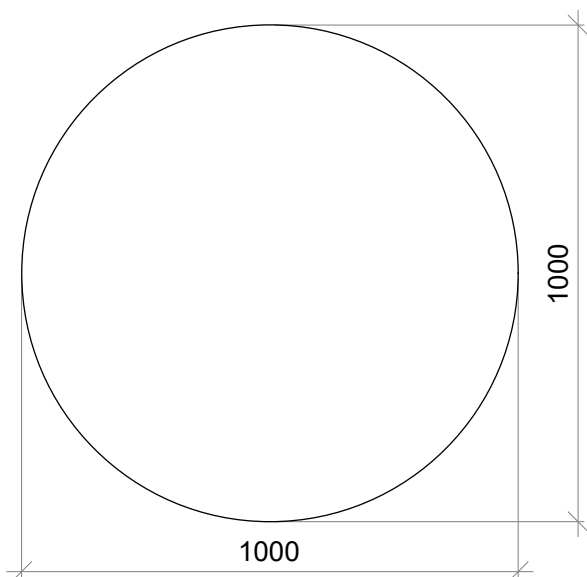


Black Rose Marble Top with lamination coating

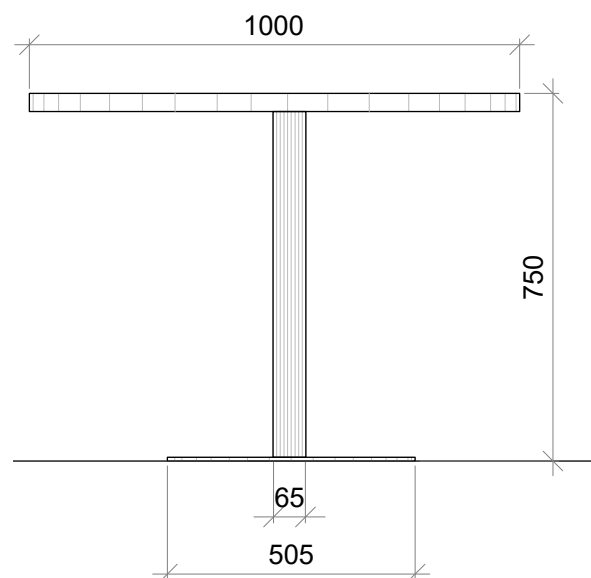
Finish to match Ph1 Furniture Rose Gold Bronze Satin Metal but brushed finished or matte



MOCKUP NOT NEEDED DONE IN PH 1



PLAN



FRONT ELEV

LOOSE FURNITURE - TABLES



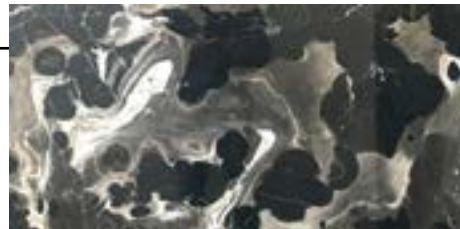
Deccan Manor, Ground Floor
Kashinath Dhuru Marg
Near Siddhivinayak Mandir
Prabhadevi, Mumbai, 400025
abm@abmarchitects.com

PROJECT	T1 LOUNGES - DOMESTIC LOUNGE PHASE 2
ISSUE DATE	NOVEMBER 2024
VERSION	8

Item Number	D-LF-01
Location	LIVE DINING + DINING
Item Description	Dining Table
Manufacturer	Amardeep
Quantity	20 nos.



ITM-1

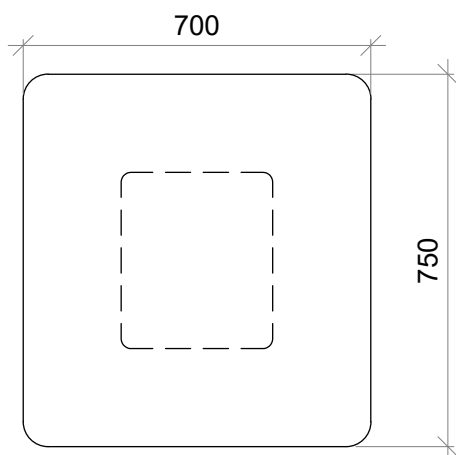


Black Rose Marble Top with lamination coating

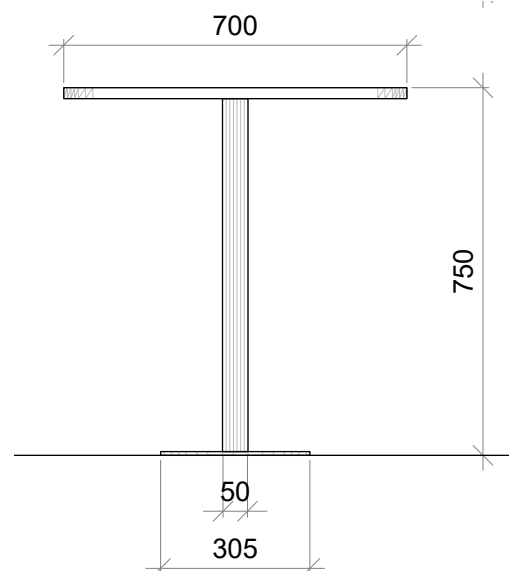
Finish to match Ph1 Furniture Rose Gold Bronze Satin Metal but brushed finished or matte



MOCKUP NOT NEEDED DONE IN PH 1



PLAN



FRONT ELEV

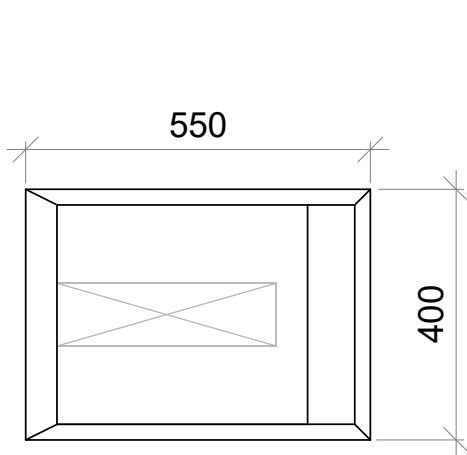
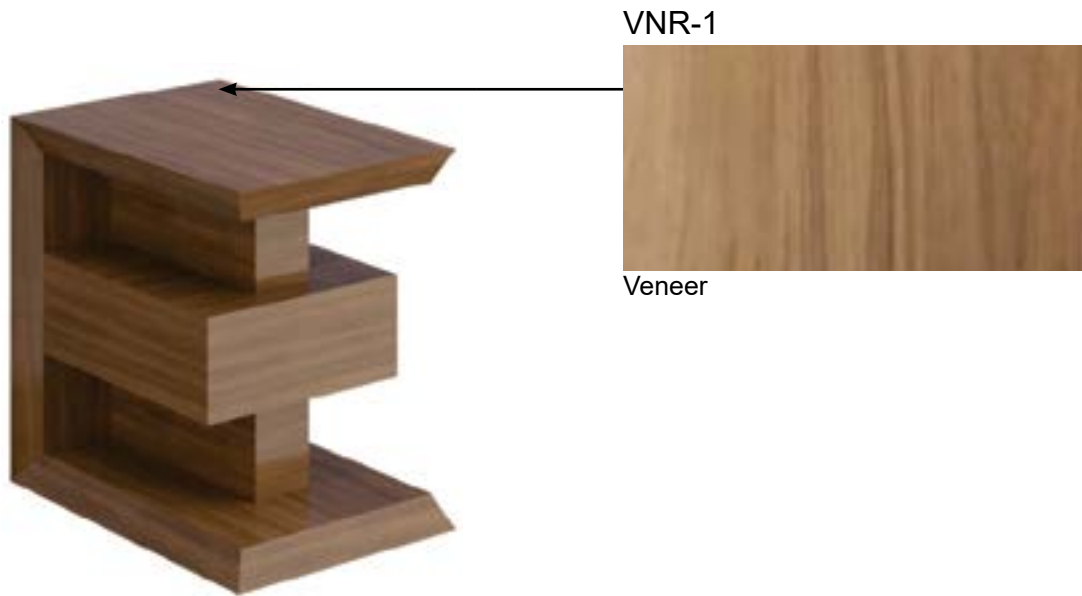
LOOSE FURNITURE - TABLES



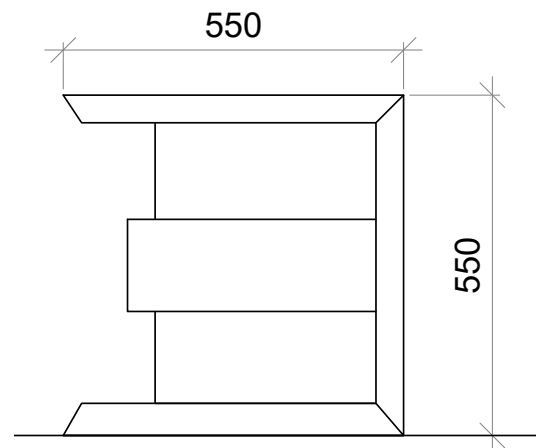
Deccan Manor, Ground Floor
Kashinath Dhuru Marg
Near Siddhivinayak Mandir
Prabhadevi, Mumbai, 400025
abm@abmarchitects.com

PROJECT	T1 LOUNGES - DOMESTIC LOUNGE PHASE 2
ISSUE DATE	NOVEMBER 2024
VERSION	8

Item Number	ST-01
Location	RELAX LOUNGE
Item Description	Side Table
Manufacturer	Contractor
Quantity	22 nos.



PLAN



FRONT ELEV

**With power sockets*