

# SEMOLINA KITCHENS

Eq.No :-ID-22A

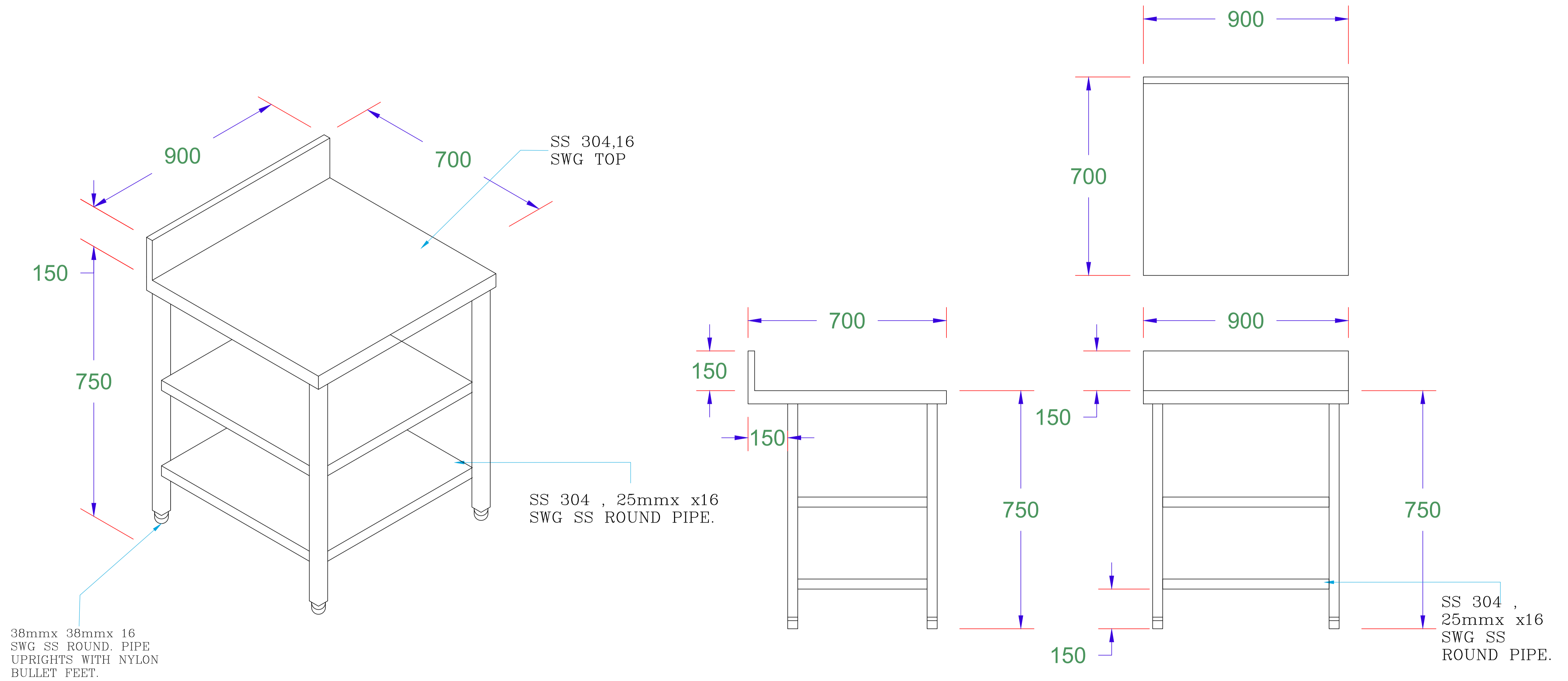
WORK TABLE WITH 2 UNDERSHELVES

Over All Size:-900 x 700 x 750+150SPL

Qty:- 1 No.

**DRAWING**

Dimensons Are In MM



<b>TITLE :</b>	<b>IDLI.COM</b>	<b>REV. NO :</b>	---	<b>DESIGN BY</b>	Sign	<b>SKPL</b>
		<b>DATE :</b>	21-12-24	<b>DWN. BY :</b> DARSHAN		
		<b>SCALE :</b>	N.T.S.	<b>CHKD BY:</b>		
<b>PROJECT :</b>	<b>NAVI MUMBAI</b>			<b>APRVD BY:</b>		