

SEMOLINA KITCHENS

Eq.No :-ID-05A

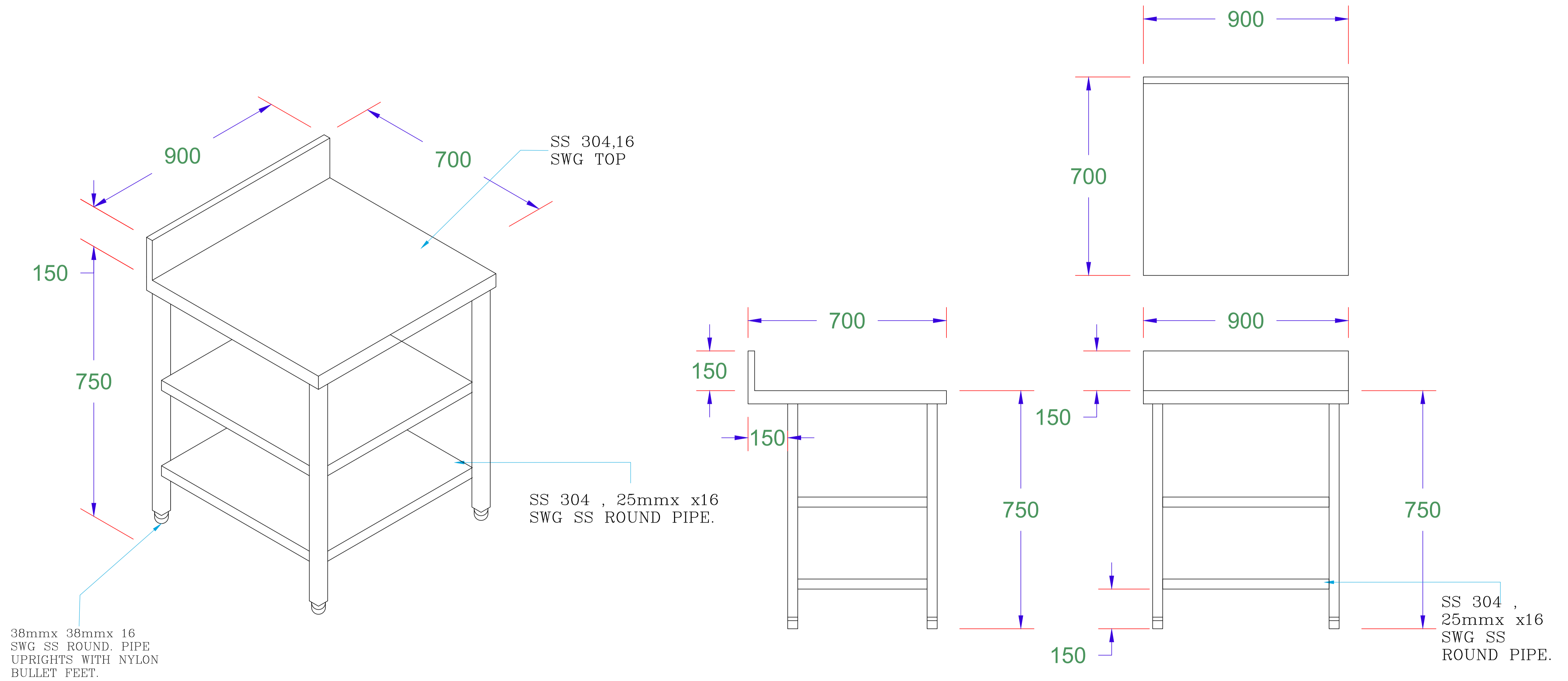
WORK TABLE WITH 2 UNDERSHELVES

Over All Size:-900 x 700 x 750+150SPL

Qty:- 1 No.

DRAWING

Dimensons Are In MM



TITLE :	IDLI.COM	REV. NO :	---	DESIGN BY	Sign	SKPL
		DATE :	21-12-24	DWN. BY : DARSHAN		
		SCALE :	N.T.S.	CHKD BY:		
PROJECT :	NAVI MUMBAI			APRVD BY:		