

REV	DATE	DESCRIPTION	DRN	CHK
C04	10.08.20	ISSUED FOR CONSTRUCTION	SP	NM
C03	12.06.20	ISSUED FOR CONSTRUCTION	SP	NM
C02	03.06.20	ISSUED FOR CONSTRUCTION	SP	NM
C01	04.05.20	ISSUED FOR CONSTRUCTION	SP	NM



PROJECT  
**BEER STOP**  
**T2 TERMINAL**  
**MUMBAI AIRPORT**

DRAWING TITLE  
**LIST OF DRAWINGS**

SCALE: N.T.S. DATE: 10/08/20 DRAWN: SP A3 SHEET

STATUS  
**CONSTRUCTION**

ORG	PROJECT NO	DRAWING TYPE	NUMBER	REV
TFS	1001	01GA	001	C04

LIST OF DRAWINGS		
#	Description	DWG.No
1	Cover Sheet	01GA-001
2	General Notes , Schedules & Legends	01GA-002
<b>PLANS</b>		
3	Location Plan	02GA-100
4	General Arrangement plan	02GA-101
5	Setting out	02GA-102
6	Proposed Flooring	02GA-103
7	RCP+ Lighting Layout	02GA-104
<b>Elevations &amp; Sections</b>		
8	Proposed Elevations - Front & Rear side	03EL-200
9	Proposed Side Elevations & Cross sections	03EL-201
10	Sections	03EL-202

#	Description	DWG.No
<b>Detail Drawings</b>		
11	Proposed Panel Settingout & Details	04DE-400
12	Rear Wall/ ST-03 & ST-04 Details	04DE-400a
13	Panel Details & Swing Door Details	04DE-401
14	Cabinet Details- CB-01 & CB-02	04DE-402
15	Cabinet Details- CB-03 & CB-04 , ST01 & ST-02	04DE-403
16	Proposed Drinks Display Details	04DE-404
17	Proposed M.S. Framing and Connection Intent	04DE-405
18	Signage Details	04DE-406
<b>Services</b>		
19	SLD	05SR-500
20	Proposed Power layout	05SR-501
21	Lighting Layout	05SR-502
22	Plumbing Layout	05SR-503
23	Drainage Layout	05SR-504

**GENERAL NOTES**

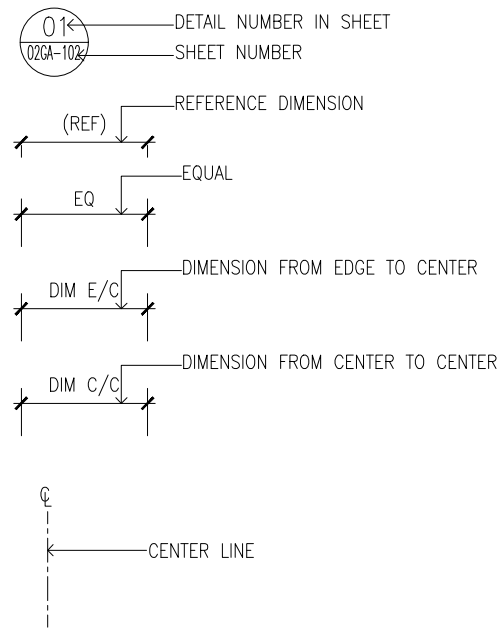
ALL DIMENSIONS ARE IN MM UNLESS OTHERWISE MENTIONED. DO NOT SCALE THE DRAWING. FOLLOW WRITTEN DIMENSIONS ONLY. IN CASE OF ANY DISCREPANCY IN DIMENSIONS/DETAILS AT SITE, PLEASE REFER IT BACK TO THE ARCHITECT.

THE MAIN CONTRACTOR IS EXPECTED TO COORDINATE THE DESIGNS/SITE EXECUTION WITH THE DESIGNS/DETAILS/WORKS OF THE SUB-CONTRACTOR/ VENDOR (E.G. PLUMBING CONTRACTOR). IN CASE OF ANY DISCREPANCY IN DIMENSIONS/DETAILS AT SITE, PLEASE REFER IT BACK TO THE ARCHITECT.

THE DRAWINGS/ DETAILS PROVIDED ARE MEANT TO CLARIFY DESIGN INTENT/DESIGN APPEARANCE ONLY. THE CONTRACTOR IS EXPECTED TO DEVELOP HIS/HER OWN DETAILS TO ENSURE STRUCTURAL STABILITY/ FUNCTIONING OF THE DETAIL IN LINE WITH THE DESIGN INTENT GIVEN.

THE DRAWINGS/DETAILS PROVIDED DO NOT CONTAIN ANY IRONMONGERY (E.G. HINGES, SCREWS, ANGLES ETC.) SPECIFICATIONS OR DETAILS. IT IS EXPECTED THE CONTRACTOR WILL SUITABLY DETAIL THE BUILD-UPS WITH THE RIGHT FITTINGS/IRONMONGERY TO ENSURE STRUCTURAL STABILITY/ FUNCTIONING OF THE DETAIL IN LINE WITH THE DESIGN INTENT GIVEN. ALL SHOP DRAWINGS, MAKE/MATERIAL, FIXTURES TO BE PRESENTED TO ARCHITECT FOR REVIEW AND VALIDATION. ALL TAP-OFF POINTS (E.G. FOR POWER, WATER, DRAINAGE ETC.) TO BE VALIDATED AT SITE PRIOR TO COMMENCEMENT OF WORK.

**SYMBOLS & ABBREVIATIONS**



**AIRPORT FFL** - REFERS TO EXISTING FINISHED FLOOR LEVEL OF AIRPORT

**UNIT FFL** - REFERS TO #BEERSTOP FFL; I.E. 150MM ABOVE AIRPORT FFL

EQUIPMENT LEGEND						
SR.No.	Eq.No.	DESCRIPTION	QTY	BRAND	MODEL NO	LOCATION
1	BS-01	POS/ TII	1	AS PER TFS REQUIREMENT		OVER CABINET-1
2	BS-02	BEER COOLER	1	ELANPRO	HE-120	INSIDE CABINET-2
3	BS-03	BLENDERS	1	JTC	JTC BLENDER 18	OVER CABINET-3
4	BS-04	GLASS WASHER	1	ELECTROLUX	402116 (EGWSIG)	INSIDE CABINET-3
5	BS-05	ICE MACHINE	1	ELANPRO	EIM 31	INSIDE CABINET-3
6	BS-06	2 DOOR U/C FREEZER	1	ELANPRO	EGN-2100F	INSIDE CABINET-4
7	BS-08	BACK BAR COOLER WITH GLASS DOOR	1	ELANPRO	EBB-2D	INSIDE CABINET-4
8	BS-09	FRYER - 8L S.S. TABLE TOP SINGLE BASKET	2	ROLLER GRILLER	FD80	OVER CABINET-4
9	BS-10	MICROWAVE OTG	1	TBC (TO TFS SELECTION)		OVER CABINET-4
10	BS-11	CHIMNEY	1	FABER	Aerostation Glamour FT AB LTW 60 (With Charcoal Filter, 60cm Length)	ON REAR WALL
11	BS-12	SODA FOUNTAIN MACHINE	1	GENERIC	SIZE: 27" X 19" X 27"(H)	OVER CABINET-3
12	BS-13	BEER DISPENSER	1	CUSTOM DESIGN (Refer Images)		OVER CABINET-2
13	BS-14	ICE CRUSHER	1	TBC	Table Top	REFER PLAN
14	BS-15	BEER KEG	6	GENERIC	SIZE: 375Dia x 525H	INSIDE CABINET-2
15	BS-16	COCKTAIL STATION	1	CUSTOM DESIGN	SIZE: 1100 x (500 + 100) x 850 + 100 Spl	REFER PLAN
16	BS-17	GARBAGE BIN	1	GENERIC	SUM JIM BINS	REFER PLAN
17	BS-18	S.S. SINK	1	GENERIC	SIZE: 400 X 400 MM	OVER CABINET-3
18	BS-19	GREASE TRAP	1	KESSEL	SIZE: 426 X 296MM	INSIDE CABINET-3
19	BS-20	BIBS	1	GENERIC	SIZE: 24" X 20" X 24"(H)	INSIDE CABINET-3
20	BS-21	CO2 CYLINDERS	2	GENERIC	SIZE: 10" X 48"(H)	INSIDE STORAGE-3

Note: Equipment No. BS-07 has been removed

FINISHES SCHEDULE									
#	FINISH CODE	FINISH TYPE	MATERIAL	DESCRIPTION	FINISH	REFERENCE/BRAND			IMAGE
						BRAND	CATAGORY	CODE	
1	F1	W ALLS/SURFACES	PAINT	ENAMEL PAINT	GLOSSY	DULUX	DULUX GLOSS	'DARK SECRET'	
	F2	W ALLS/SURFACES	PAINT	ENAMEL PAINT	WEATHERED	DULUX	DULUX GLOSS	'DARK SECRET'	
2	F3	W ALLS/SURFACES	PAINT	EMULSION PAINT	NA	DULUX	DULUX PROMISE INTERIOR	"DARK SECRET"	
3	F4	METAL SURFACES	PAINT	ENAMEL PAINT		DULUX	DULUX GLOSS	BLACK MICA	
4	F5	METAL / WOOD SURFACES	PAINT	ENAMEL PAINT	GLOSSY	DULUX	DULUX GLOSS	PALE ALE COLOR	
5	F6	METAL SURFACES - MESH	PAINT	ENAMEL PAINT	GLOSSY	DULUX	DULUX GLOSS	BLACK	
6	F7	FRONT COUNTER TOP	METAL PLATE	ZINC PLATE	'NATURAL' FINISH	GENERIC	NA	NA	
						Fixing reference - <a href="https://youtu.be/gcGVzgcxf-I">https://youtu.be/gcGVzgcxf-I</a>			
7	F8	REAR COUNTER TOP	SOLID SURFACE	15/18 MM THK. ENGINEERED STONE	POLISHED	PELICAN QUARTZ	QUARTZ POLISHED	MORTAR GRAYS	
8	F9	CABINET & STORAGE UNITS - INSIDE CABINETS	LAMINATE	GENERIC BLACK LAMINATE	MATTE	GREENLAM			
9	F10	CABINET & STORAGE UNITS-EXPOSED SURFACES	LAMINATE	BLACK LAMINATE	SUEDE	GREENLAM	SUEDE	401 - BLACK	
10	F11	KIOSK FLOORING	VINYL	VINYL FLOORING	MATTE	GERFLOR	NA	MIPOLAM SYMBIOZ-6045 CHOCOLATE	
11	F13	SPLASH BACK	CERAMIC TILES	200x100 MM CERAMIC TILES - SQUARE EDGE	MATTE	STARCO CERAMICS.	MATTE	200x100 MM BLACK CERAMIC TILES	
12	F14	GUARD RAIL & SUPPORT	METAL	COPPER /BRASS FINISH	NA	<a href="https://www.amazon.in/Polished-Brass-Complete-Foot-Rail/dp/B01N58878P">https://www.amazon.in/Polished-Brass-Complete-Foot-Rail/dp/B01N58878P</a>			
13	F15	MDF / WOOD SURFACES	PAINT	ENAMEL PAINT	GLOSSY	DULUX	DULUX GLOSS	CUSTOM COLOR-R26 G41 B72	
14	F16	WOOD SURFACES	PAINT	ENAMEL PAINT	GLOSSY	DULUX	DULUX GLOSS	HORIZONS	

THE REFERENCES PROVIDED ARE INDICATIVE . TFS/CONTRACTOR IS FREE TO SOURCE EQUIVALENT MATERIALS

NOTE- REFER BACK TO ARCHITECT IF LINKS PROVIDED AS REFERENCE FAIL TO OPEN

FIXTURE LEGEND					
SR.No.	Eq.No.	DESCRIPTION	QTY	DETAILS/ REFERENCE	IMAGE
1	CH-01	PERCH SEATING/ BAR SEATING	3	<a href="https://www.andythornton.com/factory-bar-stool-leather-seat-atfuv235-7973">https://www.andythornton.com/factory-bar-stool-leather-seat-atfuv235-7973</a>	
2	LG-01	SUSPENDED LIGHT FIXTURE (WITH 40WATT DIMMABLE LED NEW TON BULB/LUMINAIRE)	4	<a href="https://www.andythornton.com/industrial-pendant-cast-aluminium-atlpp17-11222">https://www.andythornton.com/industrial-pendant-cast-aluminium-atlpp17-11222</a>	
3	LG-02	ADJUSTABLE GRID LIGHT/ SPOT-LIGHT (WITH 10WATT LED LAMP)	4	<a href="https://www.iluma.co.uk/shops/gri-dspot-led/5.htm">https://www.iluma.co.uk/shops/gri-dspot-led/5.htm</a>	
4	BD-01	BEER DRUM (750 MM DIA x 1600 MM)	3	Vendor Specs	

REV	DATE	DESCRIPTION	DRN	CHK
C05	22.07.20	ISSUED FOR CONSTRUCTION	SP	NM
C04	06.07.20	ISSUED FOR CONSTRUCTION	SP	NM
C03	12.06.20	ISSUED FOR CONSTRUCTION	SP	NM
C02	03.06.20	ISSUED FOR CONSTRUCTION	SP	NM
C01	04.05.20	ISSUED FOR CONSTRUCTION	SP	NM



PROJECT  
**BEER STOP  
T2 TERMINAL  
MUMBAI AIRPORT**

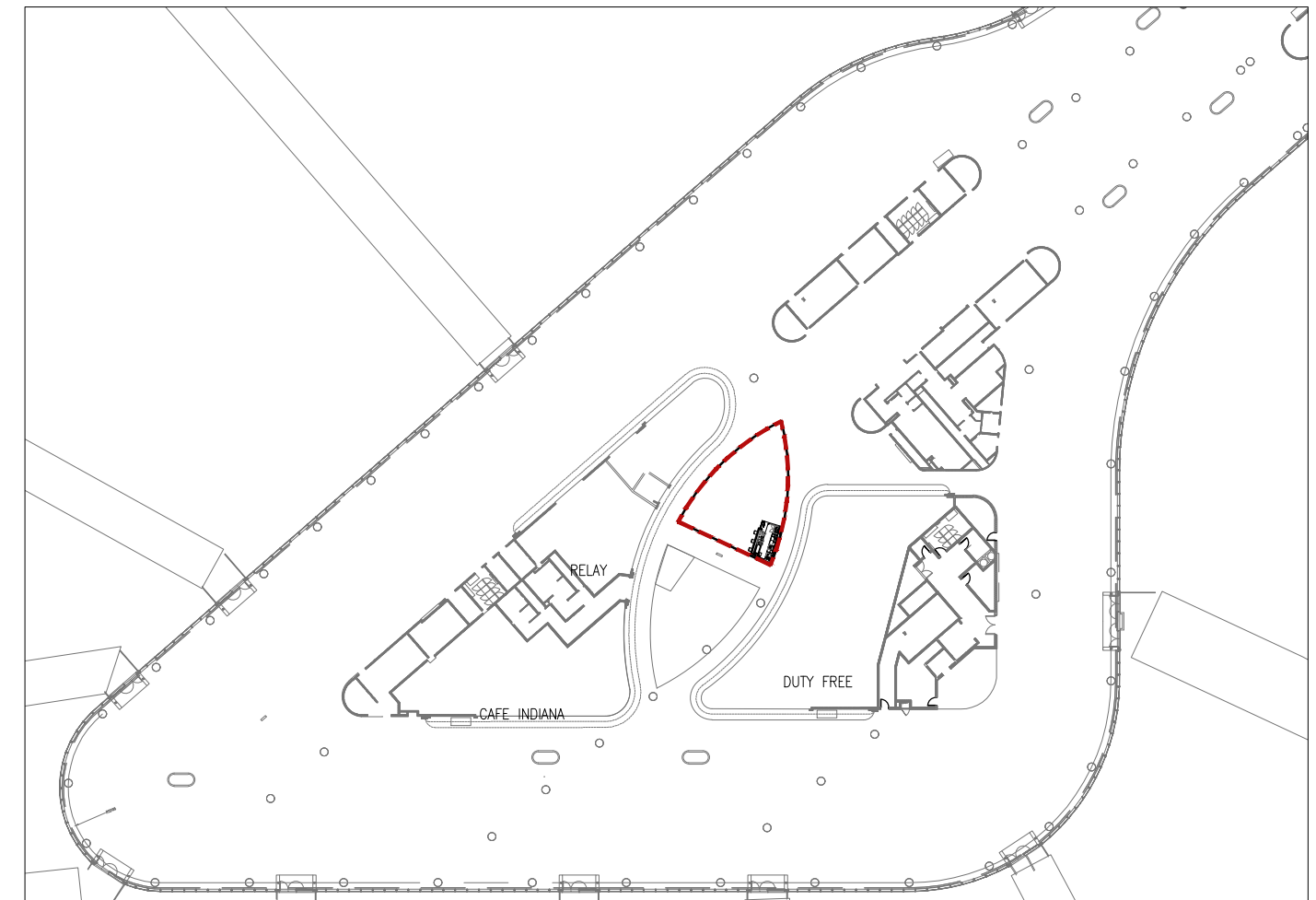
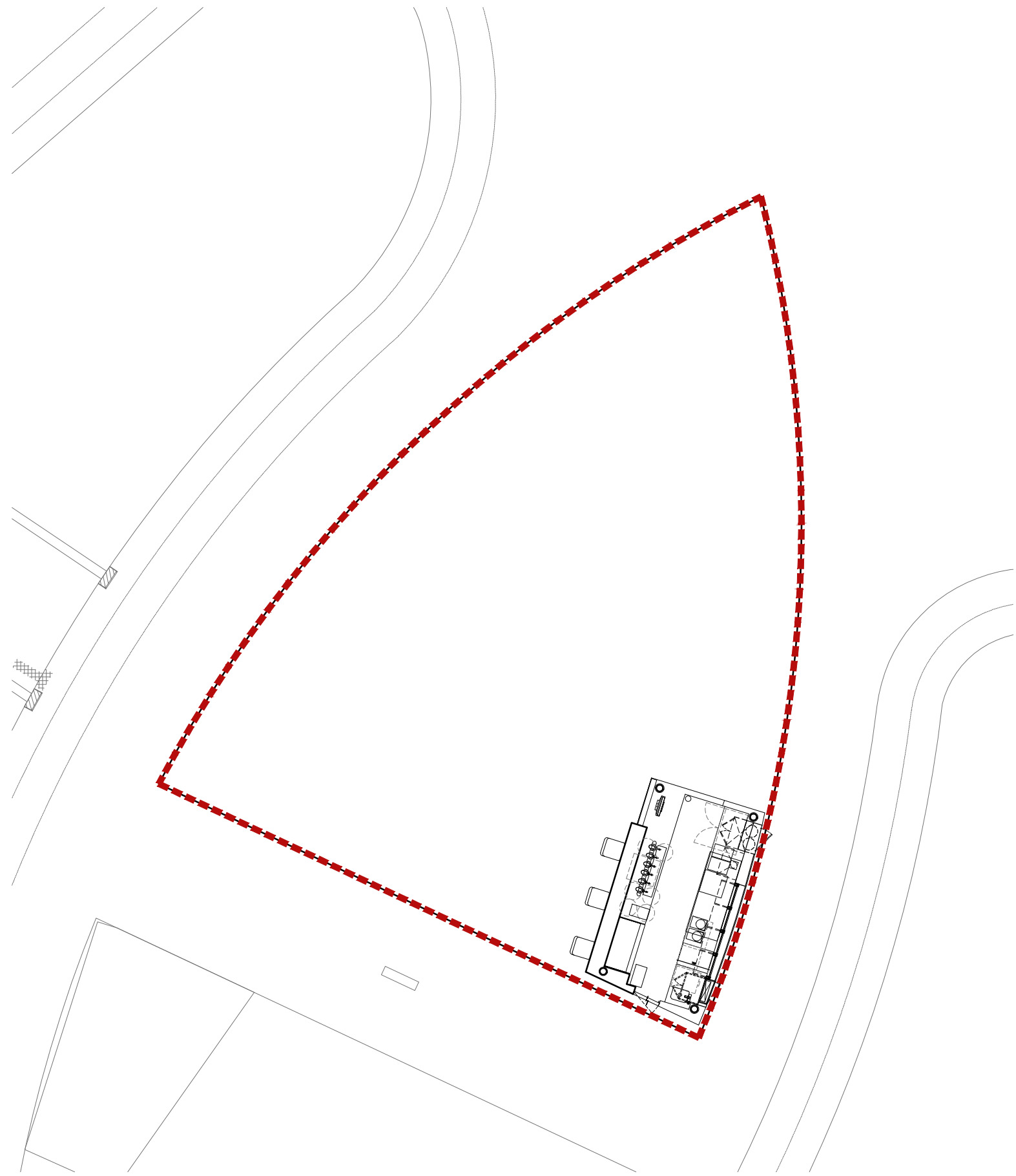
DRAWING TITLE  
**GENERAL NOTES  
SCHEDULES & LEGENDS**

SCALE: N.T.S DATE: 22/07/20 DRAWN: SP A3 SHEET

STATUS	CONSTRUCTION
ORG	PROJECT NO
TFS	1001
DRAWING TYPE	NUMBER
01GA	002
REV	
C05	

ALL DIMENSIONS MUST BE CHECKED ON SITE  
INFORM THE ARCHITECT OF ANY DISCREPANCIES PRIOR TO CONSTRUCTION

 INDICATES DEMISE OF PROPOSED 'BEER STOP'



**01** KEY PLAN OF LEVEL 3 (CONTEXT)  
02GA-100 N.T.S

REV	DATE	DESCRIPTION	DRN	CHK
C02	10.08.20	ISSUED FOR CONSTRUCTION	SP	NM
C01	29.04.20	ISSUED FOR CONSTRUCTION	SP	NM



PROJECT  
**BEER STOP  
T2 TERMINAL  
MUMBAI AIRPORT**

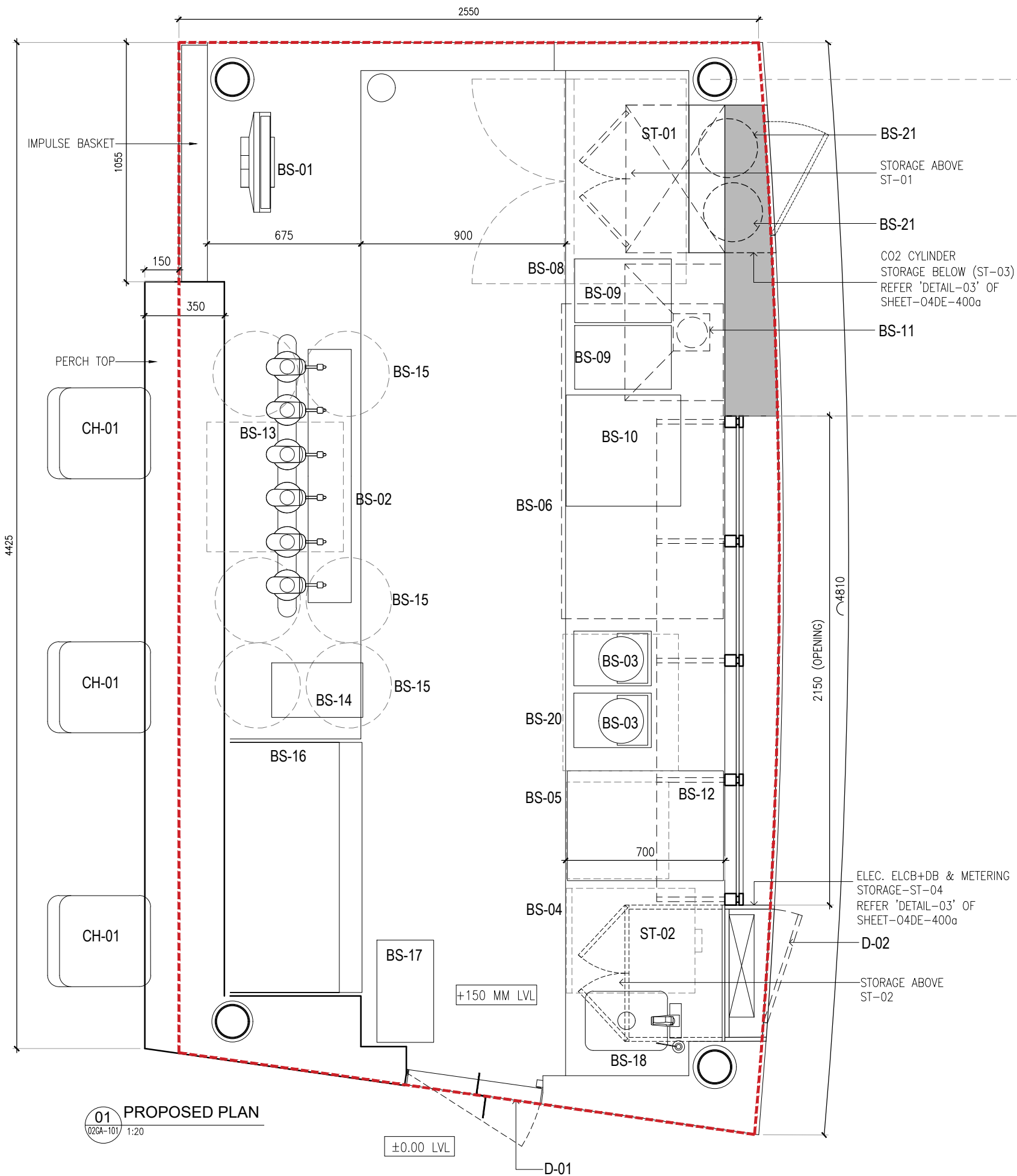
DRAWING TITLE  
**PROPOSED LAYOUT  
LOCATION PLAN**

SCALE: NOT TO SCALE DATE: 10/08/20 DRAWN: SP A3 SHEET

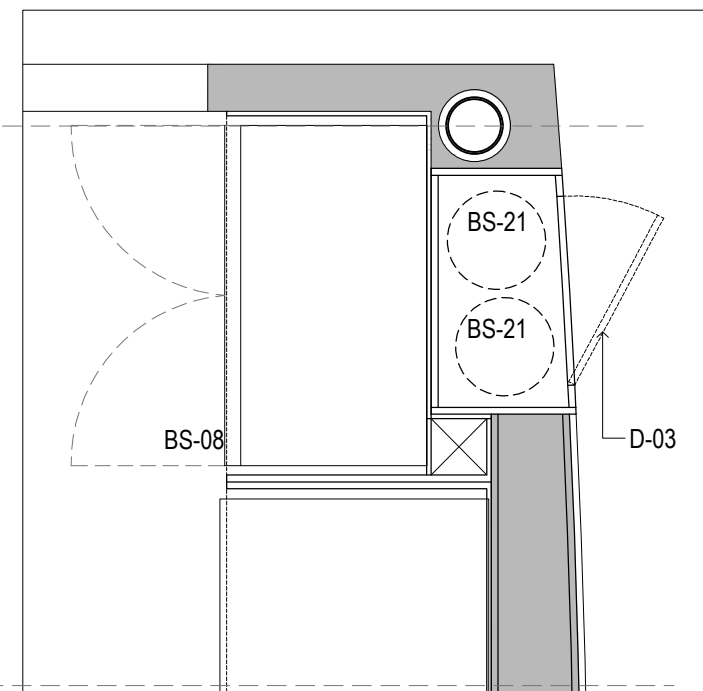
STATUS  
**CONSTRUCTION**

ORG	PROJECT NO	DRAWING TYPE	NUMBER	REV
TFS	1001	02GA	100	C02

**02** LOCATION PLAN  
02GA-100 N.T.S



**01 PROPOSED PLAN**  
02GA-101 1:20



**02 REAR WALL PLAN @ 600 MM LVL**  
02GA-101 1:20

DOOR SCHEDULE			
LABEL	DESCRIPTION	OPENING SIZE IN MM.	SHUTTER SIZE IN MM.
D01	KIOSK ACCESS DOOR	600 x 1050 (H)	590 x 1035 (H)
D02	ELEC. CABINET ACCESS DOOR	500 x 1175 (H)	500 x 1170 (H)
D03	CO2 STORAGE ACCESS DOOR	500 x 1200 (H)	500 x 1200 (H)

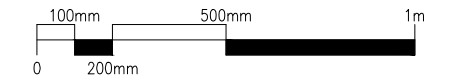
Opening (W1)			
L	H	SILL	LINTEL
2150	725	1925	2650

SILL/LINTEL HEIGHT ARE FROM AIRPORT FFL

No of Panels	4 Nos
Size of Each Panel	475 L x 625 H (clear dimensions)
Glass	12mm thick toughened clear
Frame	50(w) x 80(d)
Frame compositions	Opt-1: Powder coated Aluminium, colour F1 Opt-2: Softwood painted to colour F1

ALL DIMENSIONS MUST BE CHECKED ON SITE  
INFORM THE ARCHITECT OF ANY DISCREPANCIES PRIOR TO CONSTRUCTION



EQUIPMENT LEGEND		
SR.No.	Eq.No.	DESCRIPTION
1	BS-01	POS/ Till
2	BS-02	BEER COOLER
3	BS-03	BLENDERS
4	BS-04	GLASS WASHER
5	BS-05	ICE MACHINE
6	BS-06	2 DOOR U/C FREEZER
7	BS-08	BACK BAR COOLER WITH GLASS DOOR
8	BS-09	FRYER - 8L S.S. TABLE TOP SINGLE BASKET
9	BS-10	MICROWAVE & OTG
10	BS-11	CHIMNEY
11	BS-12	SODA FOUNTAIN MACHINE
12	BS-13	BEER DISPENSER
13	BS-14	ICE CRUSHER
14	BS-15	BEER KEG
15	BS-16	COCKTAIL STATION
16	BS-17	GARBAGE BIN
17	BS-18	S.S. SINK
18	BS-19	GREASE TRAP
19	BS-20	BIBS
20	BS-21	CO2 CYLIDERS

Note: Equipment No. BS-07 has been removed

FIXTURE LEGEND		
SR.No.	Eq.No.	DESCRIPTION
1	CH-01	PERCH SEATING/ BAR SEATING

----- PROPOSED AREA  
OF KIOSK - 12.05 SQM

REV	DATE	DESCRIPTION	DRN	CHK
C05	10.08.20	ISSUED FOR CONSTRUCTION	SP	NM
C04	22.07.20	ISSUED FOR CONSTRUCTION	SP	NM
C03	12.06.20	ISSUED FOR CONSTRUCTION	SP	NM
C02	03.06.20	ISSUED FOR CONSTRUCTION	SP	NM
C01	04.05.20	ISSUED FOR CONSTRUCTION	SP	NM



PROJECT  
**BEER STOP  
T2 TERMINAL  
MUMBAI AIRPORT**

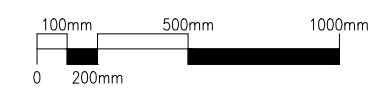
DRAWING TITLE  
**PROPOSED LAYOUT**

SCALE 1:20 DATE 10/08/20 DRAWN SP A3 SHEET

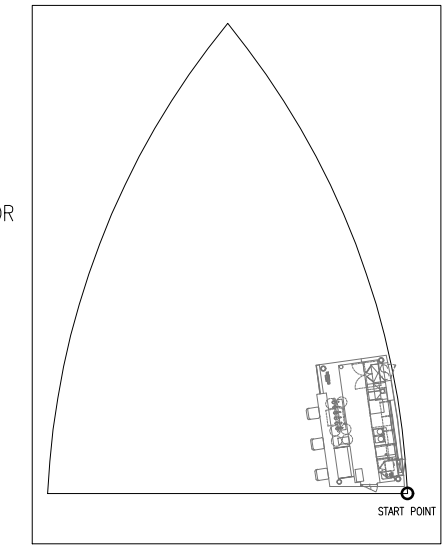
STATUS  
**CONSTRUCTION**

ORG	PROJECT NO	DRAWING TYPE	NUMBER	REV
TFS	1001	02GA	101	C05

ALL DIMENSIONS MUST BE CHECKED ON SITE  
INFORM THE ARCHITECT OF ANY DISCREPANCIES PRIOR TO CONSTRUCTION



CODE	TOP FINISH	HEIGHT FROM AIRPORT FFL TO TOP OF BOXING FINISH
BX-01	F10	1200
BX-02	F10	1200
BX-03	F10	1200
BX-04	F10	1000



KEY PLAN

C02	10.08.20	ISSUED FOR CONSTRUCTION	SP	NM
REV	DATE	DESCRIPTION	DRN	CHK



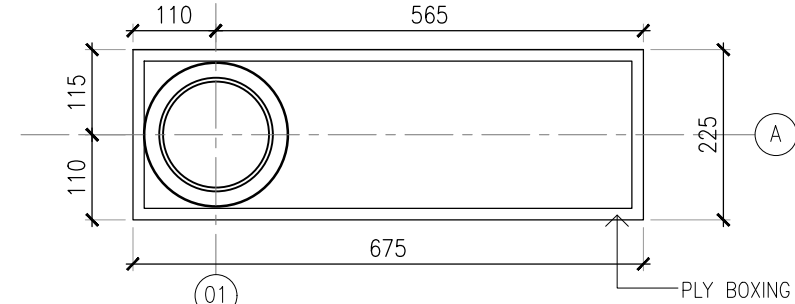
PROJECT  
**BEER STOP  
T2 TERMINAL  
MUMBAI AIRPORT**

DRAWING TITLE  
**PROPOSED LAYOUT  
SETTING OUT**

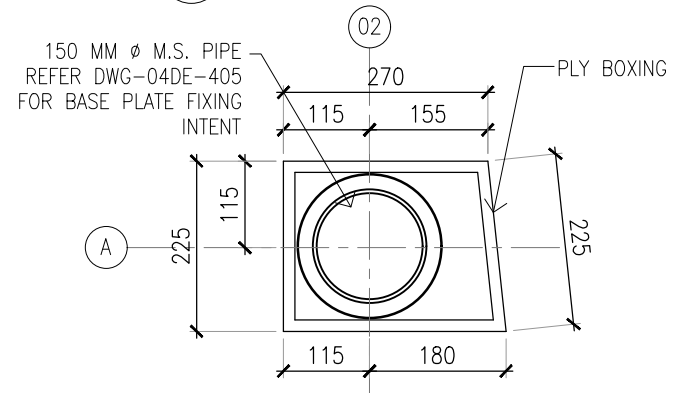
SCALE AS MENTIONED DATE: 10/08/20 DRAWN SP A3 SHEET

STATUS  
**CONSTRUCTION**

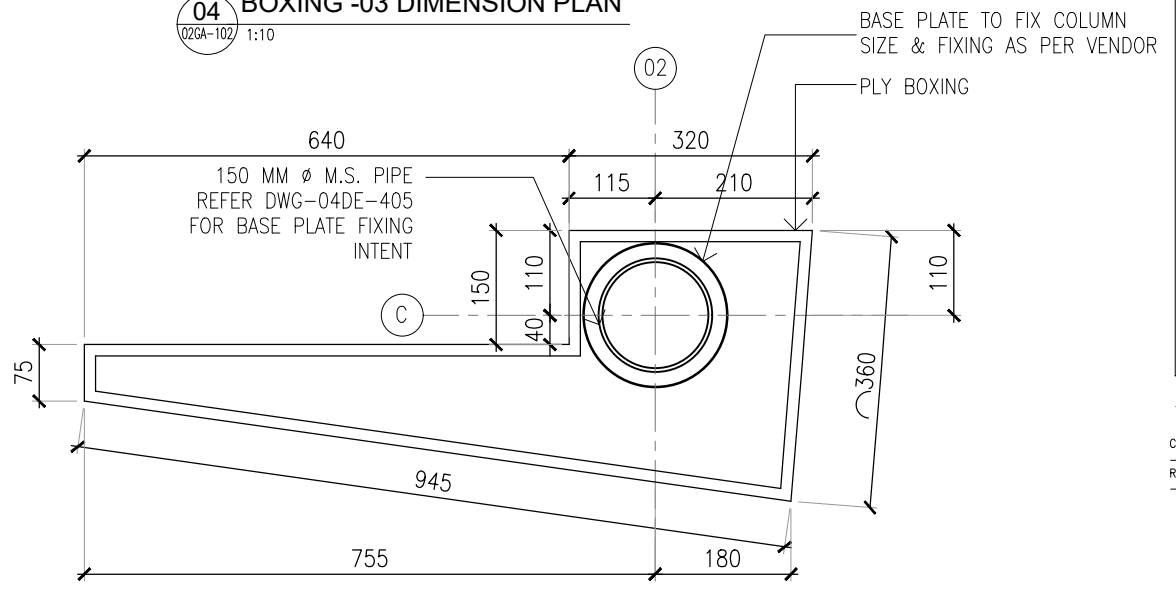
ORG	PROJECT NO	DRAWING TYPE	NUMBER	REV
TFS	1001	02GA	102	C02



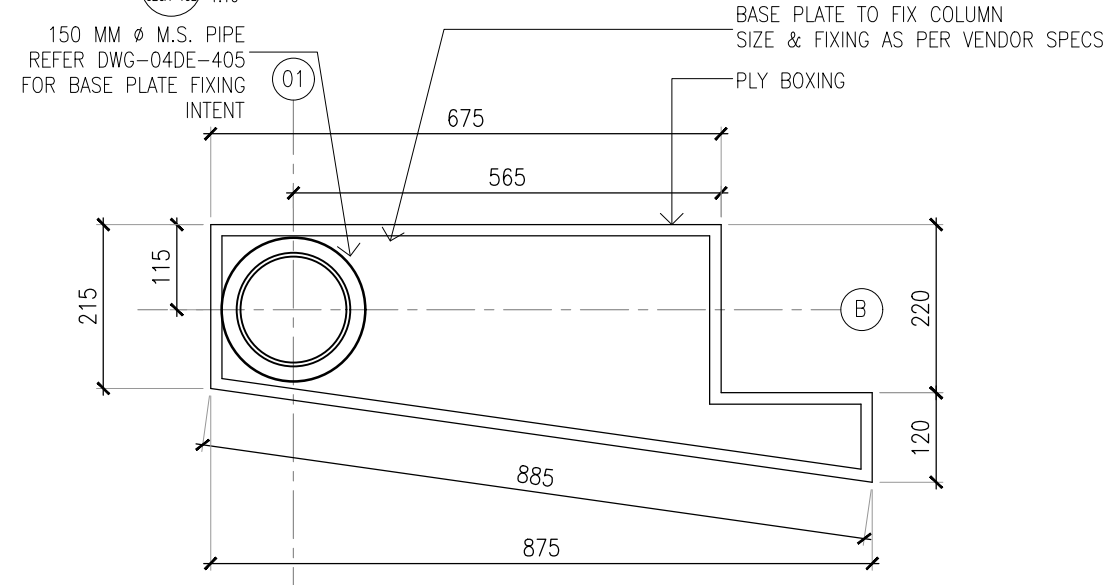
05 BOXING -04 DIMENSION PLAN  
02GA-102 1:10



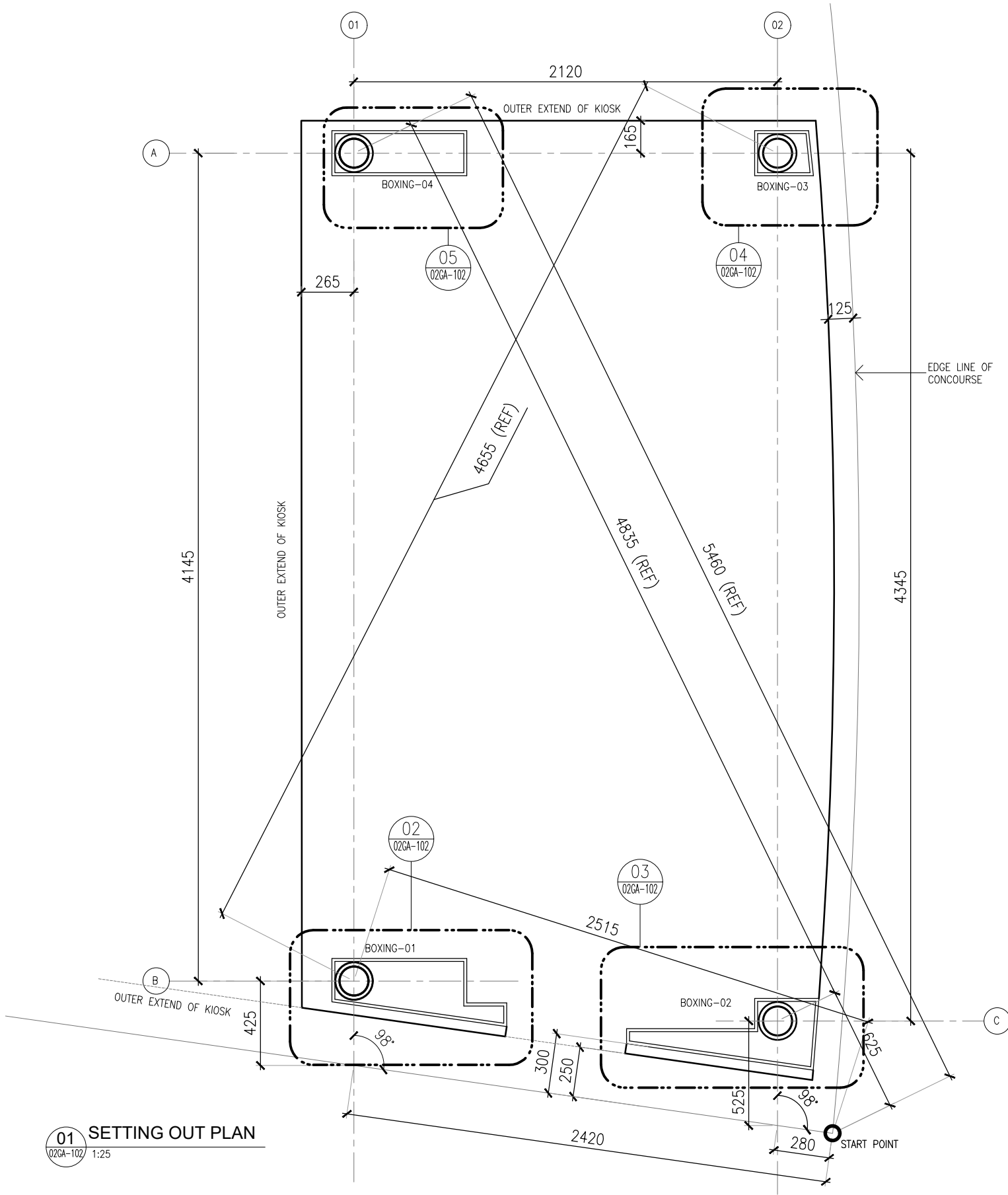
04 BOXING -03 DIMENSION PLAN  
02GA-102 1:10



03 BOXING -02 DIMENSION PLAN  
02GA-102 1:10

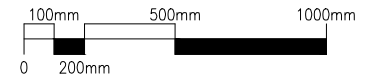


02 BOXING -01 DIMENSION PLAN  
02GA-102 1:10

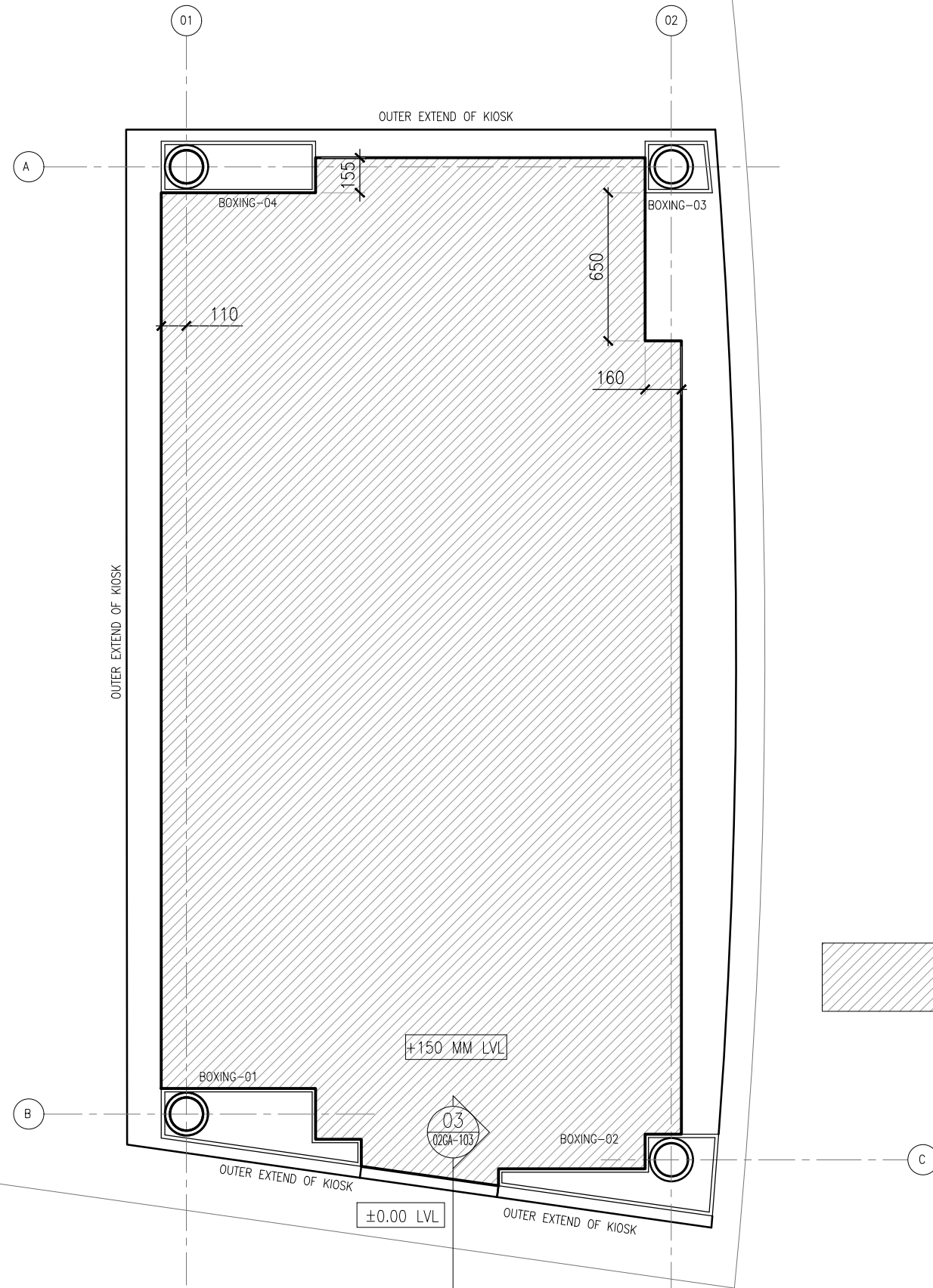


01 SETTING OUT PLAN  
02GA-102 1:25

ALL DIMENSIONS MUST BE CHECKED ON SITE  
INFORM THE ARCHITECT OF ANY DISCREPANCIES PRIOR TO CONSTRUCTION

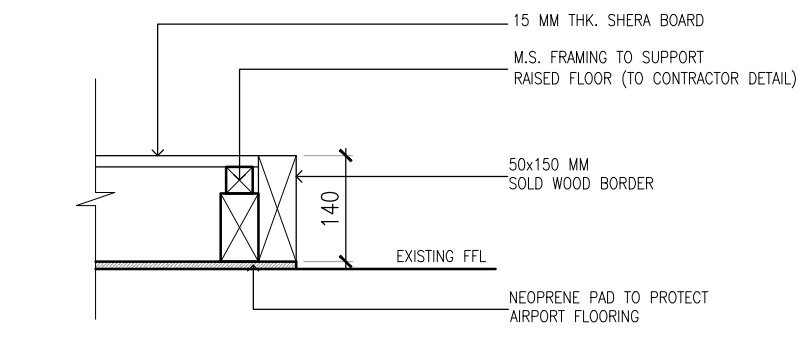


NOTE:  
AIRPORT FLOORING TO BE PROTECTED DURING THE  
CONSTRUCTION AND LIFE TIME OF THE UNIT

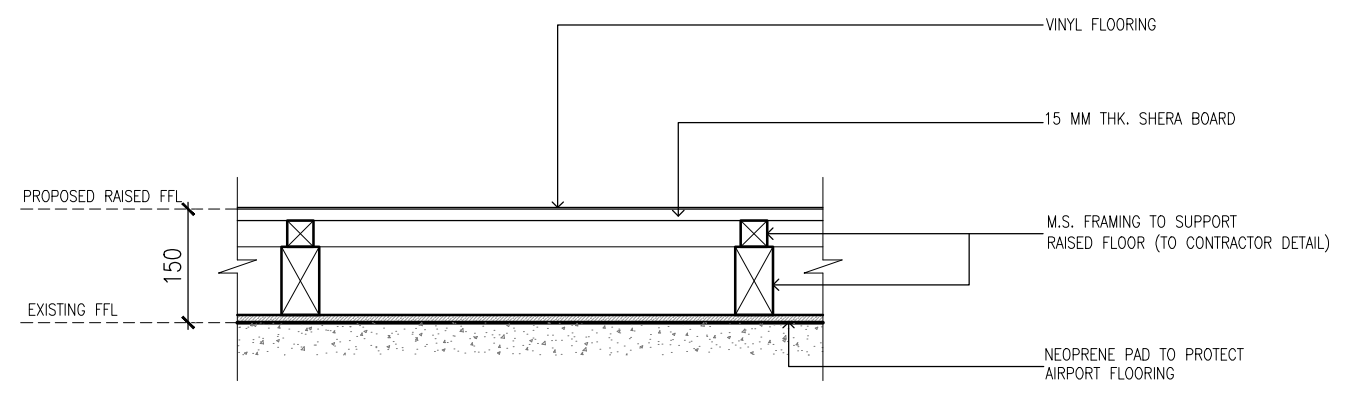


01 PROPOSED FLOORING LAYOUT  
02GA-103 1:25

PROPOSED RAISED FLOOR FINISHED WITH VINYL  
FLOORING TO CODE - 'F11'- 103 Sqft.



03 SECTION A  
02GA-103 1:10



02 TYP. RAISED FLOOR CROSS SECTION  
02GA-103 1:10

REV	DATE	DESCRIPTION	DRN	CHK
C04	10.08.20	ISSUED FOR CONSTRUCTION	SP	NM
C03	06.07.20	ISSUED FOR CONSTRUCTION	SP	NM
C02	12.06.20	ISSUED FOR CONSTRUCTION	SP	NM
C01	04.05.20	ISSUED FOR CONSTRUCTION	SP	NM



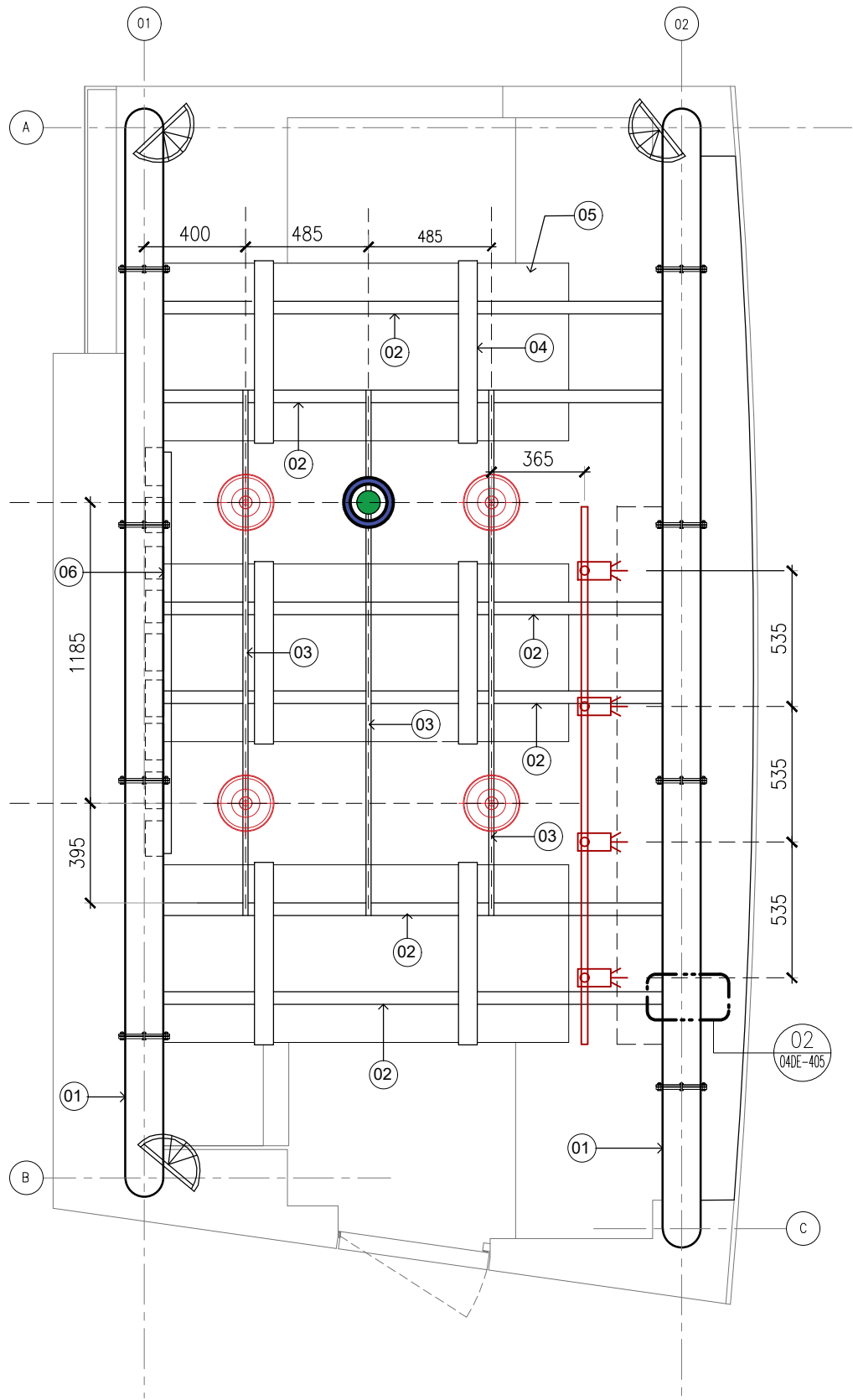
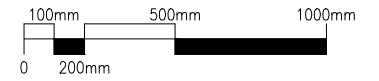
PROJECT  
BEER STOP  
T2 TERMINAL  
MUMBAI AIRPORT

DRAWING TITLE  
PROPOSED FLOORING LAYOUT

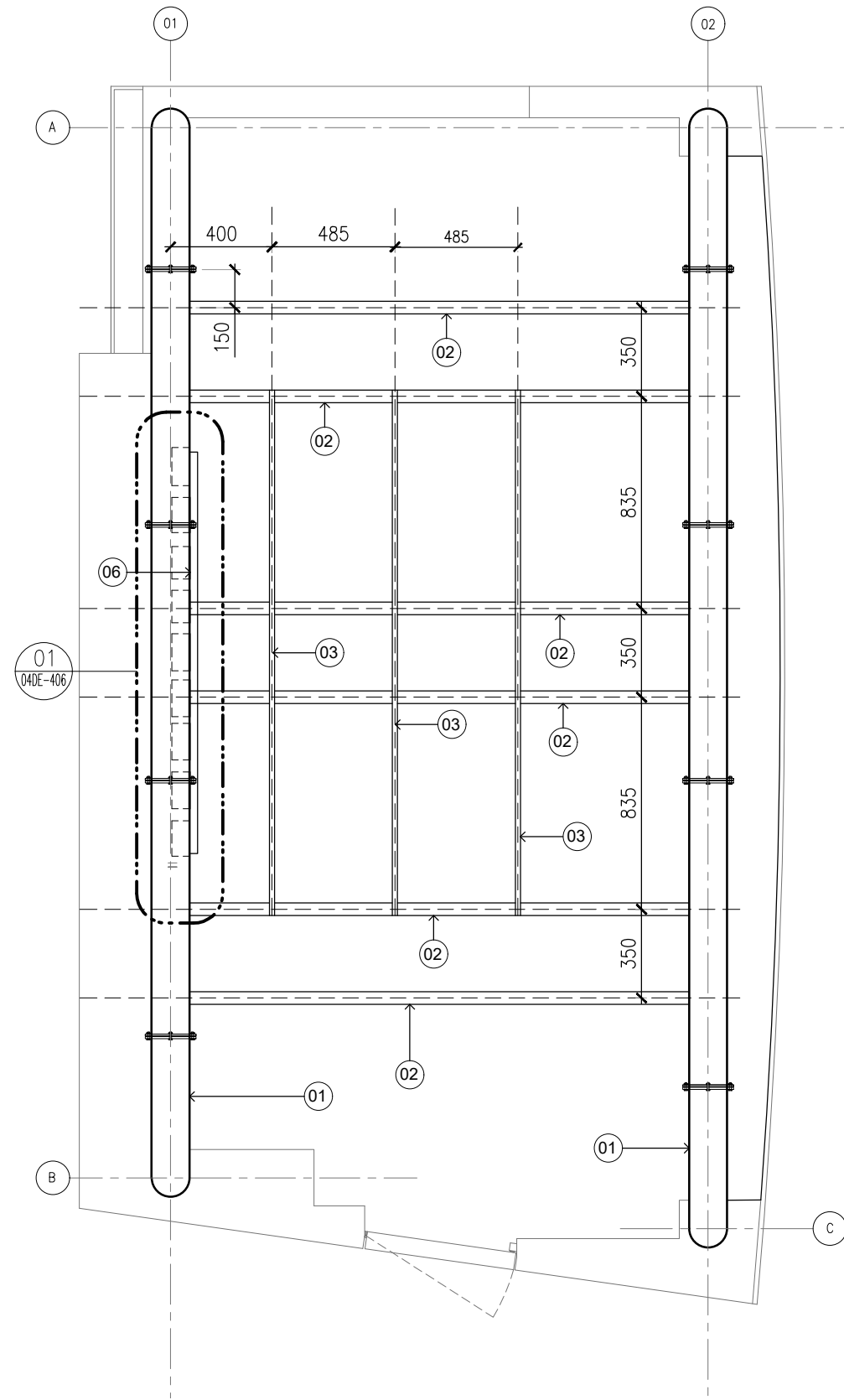
SCALE AS MENTIONED DATE 10/08/20 DRAWN SP A3 SHEET

STATUS  
CONSTRUCTION

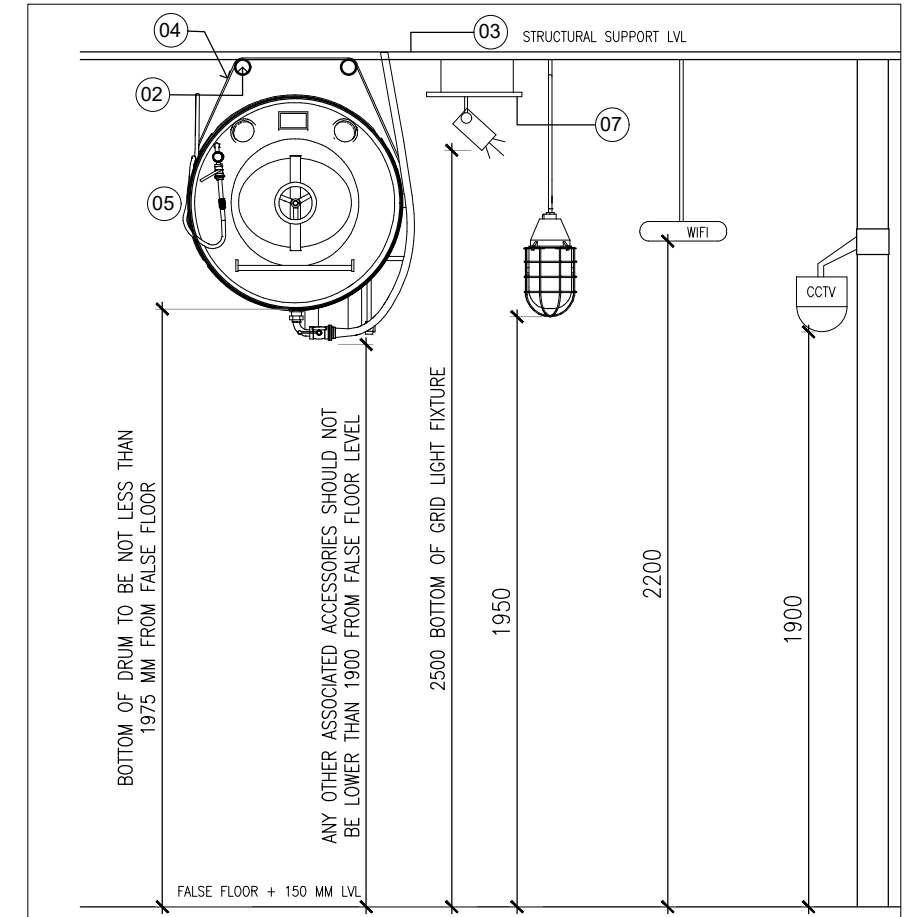
ORG	PROJECT NO	DRAWING TYPE	NUMBER	REV
TFS	1001	02GA	103	C04



**01** PROPOSED CEILING LAYOUT  
02GA-104 1:25



**02** PROPOSED CEILING - FRAMING PLAN  
02GA-104 1:25



**03** SCHEMATIC SECTION  
02GA-104 1:25

SERVICES VENDOR TO CO-ORDINATE WITH MAIN CONTRACTOR FOR SUSPENSION/INSTALLATION OF LIGHT FIXTURE/CCTV/WIFI ETC.

CODE	DESCRIPTION
01	150 DIA HOLLOW PIPE WITH FLANGE ENDS - KIOSK MAIN STRUCTURE
02	50MM DIA PIPE - TO HOLD BEER DRUM (BD-01)
03	25X25 SQUARE MS SECTION - TO HOLD LIGHT FIXTURE, CCTV ETC.
04	75MM WIDE SUEDE BELT TO FASTEN/HOLD IN PLACE BEER DRUM (BD-01)
05	BEER DRUM (BD-01)
06	# BEER STOP' LOGO
07	TRACK TO HOLD SPOT LIGHTS , LENGTH TO MATCH WITH SHELF LENGTH

REFER DWG-04DE-405 FOR METALWORK/ FABRICATION INTENT

REV	DATE	DESCRIPTION	DRN	CHK
C03	10.08.20	ISSUED FOR CONSTRUCTION	SP	NM
C02	03.06.20	ISSUED FOR CONSTRUCTION	SP	NM



SYMBOL	CODE	DESCRIPTION
	LG-01	PENDANT LIGHT
	LG-02	GRID LIGHT/SPOT LIGHT
	--	WiFi
	--	CCTV

PROJECT  
**BEER STOP  
T2 TERMINAL  
MUMBAI AIRPORT**

DRAWING TITLE  
**PROPOSED CEILING LAYOUT**

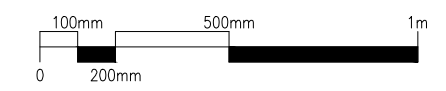
SCALE AS MENTIONED DATE: 10/08/20 DRAWN SP A3 SHEET

STATUS  
**CONSTRUCTION**

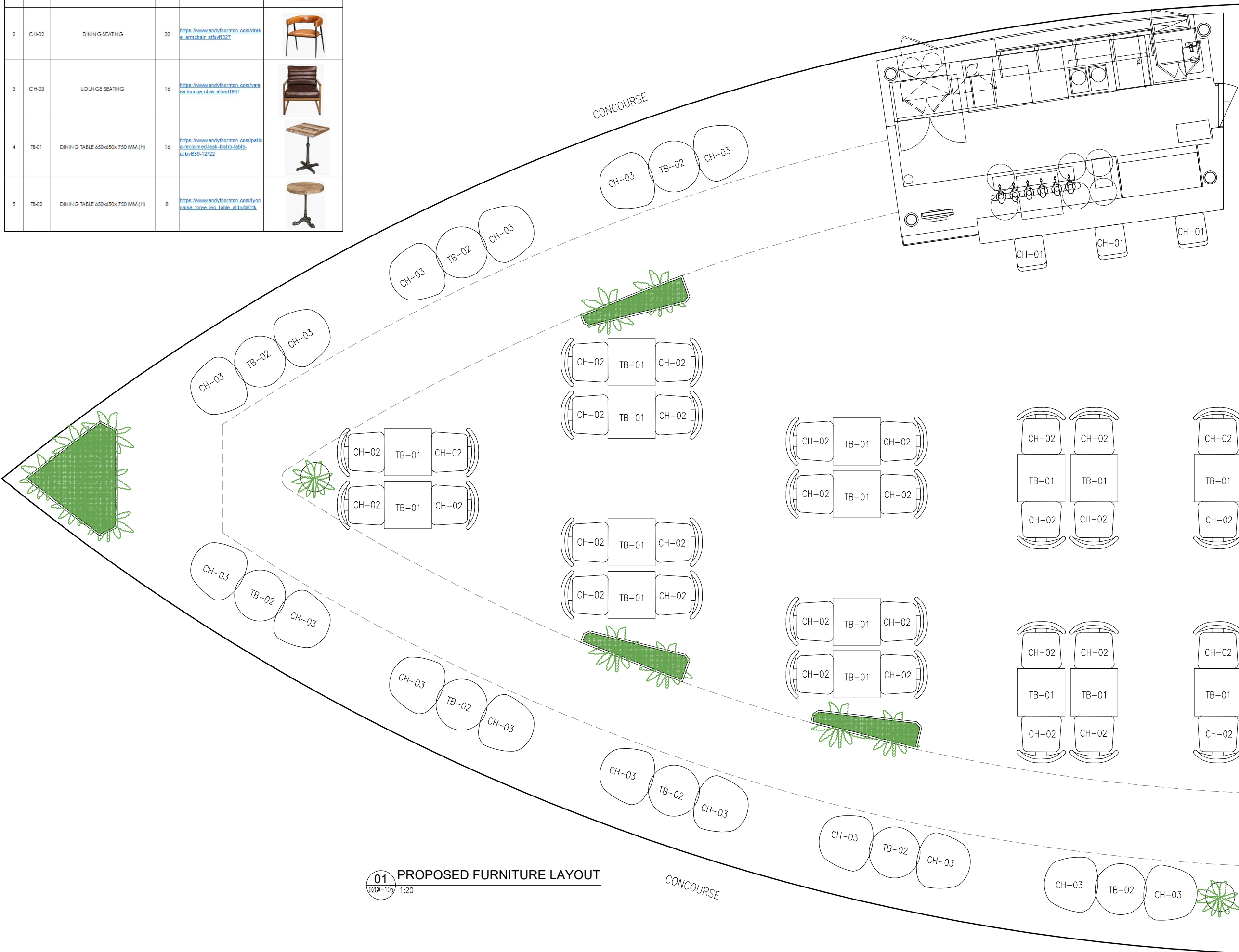
ORG PROJECT NO DRAWING TYPE NUMBER REV  
**TFS 1001 02GA 104 C03**

FURNITURE LEGEND					
SR.No.	Eq.No.	DESCRIPTION	QTY	DETAILS/ REFERENCE	IMAGE
1	CH-01	PERCH SEATING/ BAR SEATING	3	<a href="https://www.andythornton.com/products/cy-bar-stool-leather-seat-atfv025-7873">https://www.andythornton.com/products/cy-bar-stool-leather-seat-atfv025-7873</a>	
2	CH-02	DINING SEATING	32	<a href="https://www.andythornton.com/products/le-armchair-atfv01327">https://www.andythornton.com/products/le-armchair-atfv01327</a>	
3	CH-03	LOUNGE SEATING	16	<a href="https://www.andythornton.com/products/le-lounge-chair-atfv01198/">https://www.andythornton.com/products/le-lounge-chair-atfv01198/</a>	
4	TB-01	DINING TABLE 650x650x 750 MM (H)	16	<a href="https://www.andythornton.com/products/le-reclaim-3-seater-bistro-table-atfv658-17722">https://www.andythornton.com/products/le-reclaim-3-seater-bistro-table-atfv658-17722</a>	
5	TB-02	DINING TABLE 650x650x 750 MM (H)	8	<a href="https://www.andythornton.com/products/le-naise-three-leg-table-atfv4611x">https://www.andythornton.com/products/le-naise-three-leg-table-atfv4611x</a>	

ALL DIMENSIONS MUST BE CHECKED ON SITE  
INFORM THE ARCHITECT OF ANY DISCREPANCIES PRIOR TO CONSTRUCTION



**NOTE:**  
SCREENS TO BE ADDED AS REQUIRED AS PER SOCIAL DISTANCING NORMS.  
PLANTER BOXES ARE INDICATIVE ONLY  
TFS TO DECIDE ON SPECIFICATIONS OF THE PLANTER BOXES AND PLANTS INSIDE



CONCOURSE

P03	10.08.20	ISSUED FOR INFORMATION	SP	NM
P02	06.07.20	ISSUED FOR INFORMATION	SP	NM
P01	17.06.20	ISSUED FOR INFORMATION	SP	NM
REV	DATE	DESCRIPTION	DRN	CHK



PROJECT  
**BEER STOP  
T2 TERMINAL  
MUMBAI AIRPORT**

DRAWING TITLE  
**PROPOSED FURNITURE LAYOUT**

SCALE 1:50 DATE 10/08/20 DRAWN SP A3 SHEET

STATUS  
**PRELIMINARY**

ORG PROJECT NO DRAWING TYPE NUMBER REV  
**TFS 1001 02GA 105 P03**

**01** PROPOSED FURNITURE LAYOUT  
02GA-105 1:20



CUSTOM MADE BOUGHT  
OUT DRUM (750MM DIA)  
WITH COPPER FINISH  
DETAILS BY VENDOR (BD-01)

150 MM DIA M.S PIPE  
PAINTED TO FINISH CODE- 'F2'

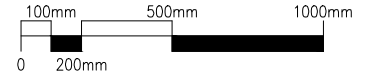
COUNTER TOP WITH METAL PLATE  
TO FINISH CODE- 'F7'

FRONT COUNTER,  
PAINTED TO FINISH CODE- 'F1'

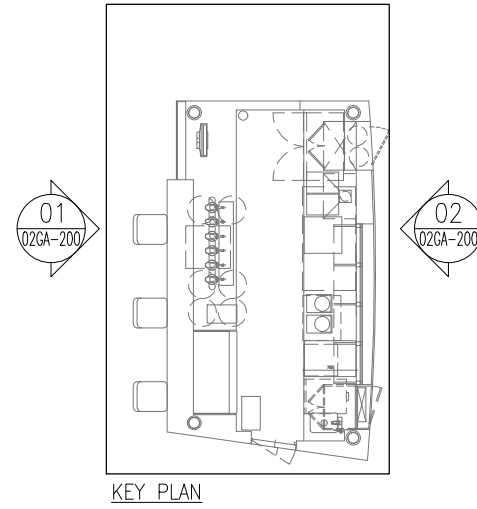
WELDED MESH 25 MM SQUARE  
(1.5MM THK) , FIXED TO  
20 MM THK MS. FLAT,  
PAINTED TO FINISH CODE- 'F4'

**01** PROPOSED KIOSK FRONT ELEVATION  
03EL-200 1:25

ALL DIMENSIONS MUST BE CHECKED ON SITE  
INFORM THE ARCHITECT OF ANY DISCREPANCIES PRIOR TO CONSTRUCTION



NOTE:  
HINGES AND IRONMONGERY TO TFS / VENDOR SELECTION



GUARD RAIL AND SUPPORTS  
TO SELECTION (FINISH CODE-'F15')

150 MM DIA M.S PIPE  
PAINTED TO FINISH CODE- 'F2'

50 MM THK. M.DF BEADING  
PAINTED TO FINISH CODE-'F1'

50 MM THK. M.DF BEADING  
PAINTED TO FINISH CODE-'F1'

50 MM THK. M.DF BEADING  
PAINTED TO FINISH CODE-'F1'

REAR WALL PANEL PAINTED  
TO FINISH CODE-'F1'

200 MM HIGH M.DF BEADING  
PAINTED TO FINISH CODE-'F1'

**02** PROPOSED KIOSK REAR SIDE ELEVATION  
03EL-200 1:25

OPENING (W1)

MDF FRET CUT LETTERS  
PAINTED COLORS AS PER BRAND  
STANDARDS

PANEL PAINTED  
TO FINISH CODE-'F16'

PANEL PAINTED  
TO FINISH CODE-'F1'

DOOR SCHEDULE					
LABEL	DESCRIPTION	PURPOSE	OPENING SIZE IN MM.	SHUTTER SIZE IN MM.	FINISH CODE
D02	ACCESS DOOR SECURED WITH ALLEN KEY LOCK	ELECTRICAL CABINET DOOR	500 x 1175 (H)	500 x 1170 (H)	F01'
D03	ACCESS DOOR SECURED WITH ALLEN KEY LOCK	CO2 STORAGE DOOR	500 x 1200 (H)	500 x 1200 (H)	F01'

C04	10.08.20	ISSUED FOR CONSTRUCTION	SP	NM
C03	12.06.20	ISSUED FOR CONSTRUCTION	SP	NM
REV	DATE	DESCRIPTION	DRN	CHK



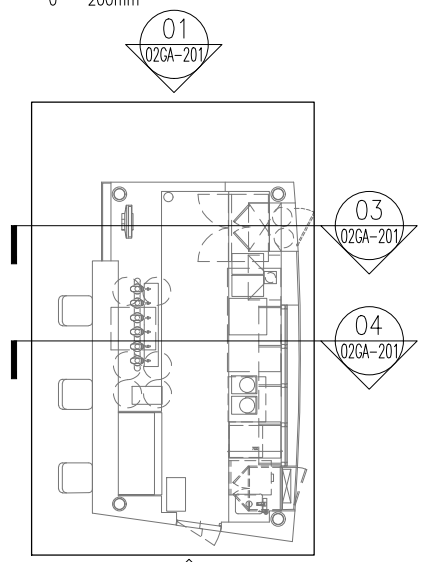
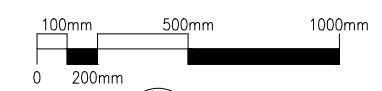
PROJECT  
**BEER STOP  
T2 TERMINAL  
MUMBAI AIRPORT**

DRAWING TITLE  
**PROPOSED ELEVATIONS**

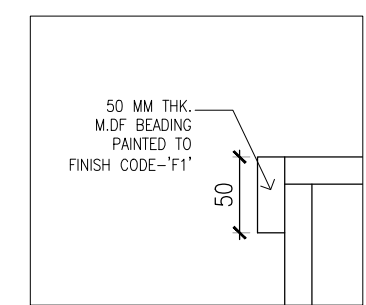
SCALE 1:25 DATE 10/08/20 DRAWN SP A3 SHEET

STATUS  
**CONSTRUCTION**  
ORG PROJECT NO DRAWING TYPE NUMBER REV  
**TFS 1001 03EL 200 C04**

ALL DIMENSIONS MUST BE CHECKED ON SITE  
INFORM THE ARCHITECT OF ANY DISCREPANCIES PRIOR TO CONSTRUCTION



KEY PLAN



05 DETAIL-01  
03EL-201/ 1:5

C04	10.08.20	ISSUED FOR CONSTRUCTION	SP	NM
REV	DATE	DESCRIPTION	DRN	CHK



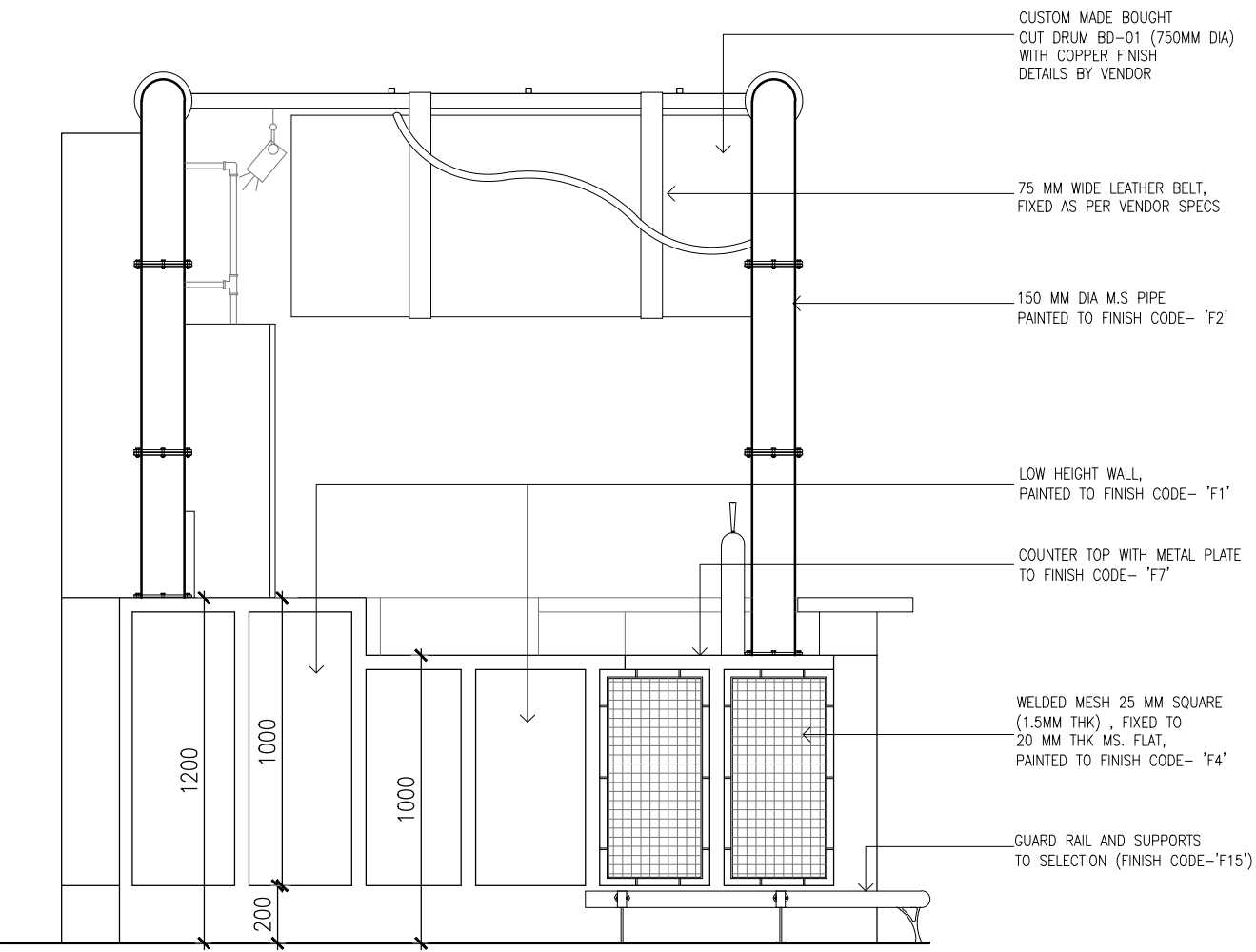
PROJECT  
**BEER STOP  
T2 TERMINAL  
MUMBAI AIRPORT**

DRAWING TITLE  
**PROPOSED ELEVATIONS &  
SECTIONS**

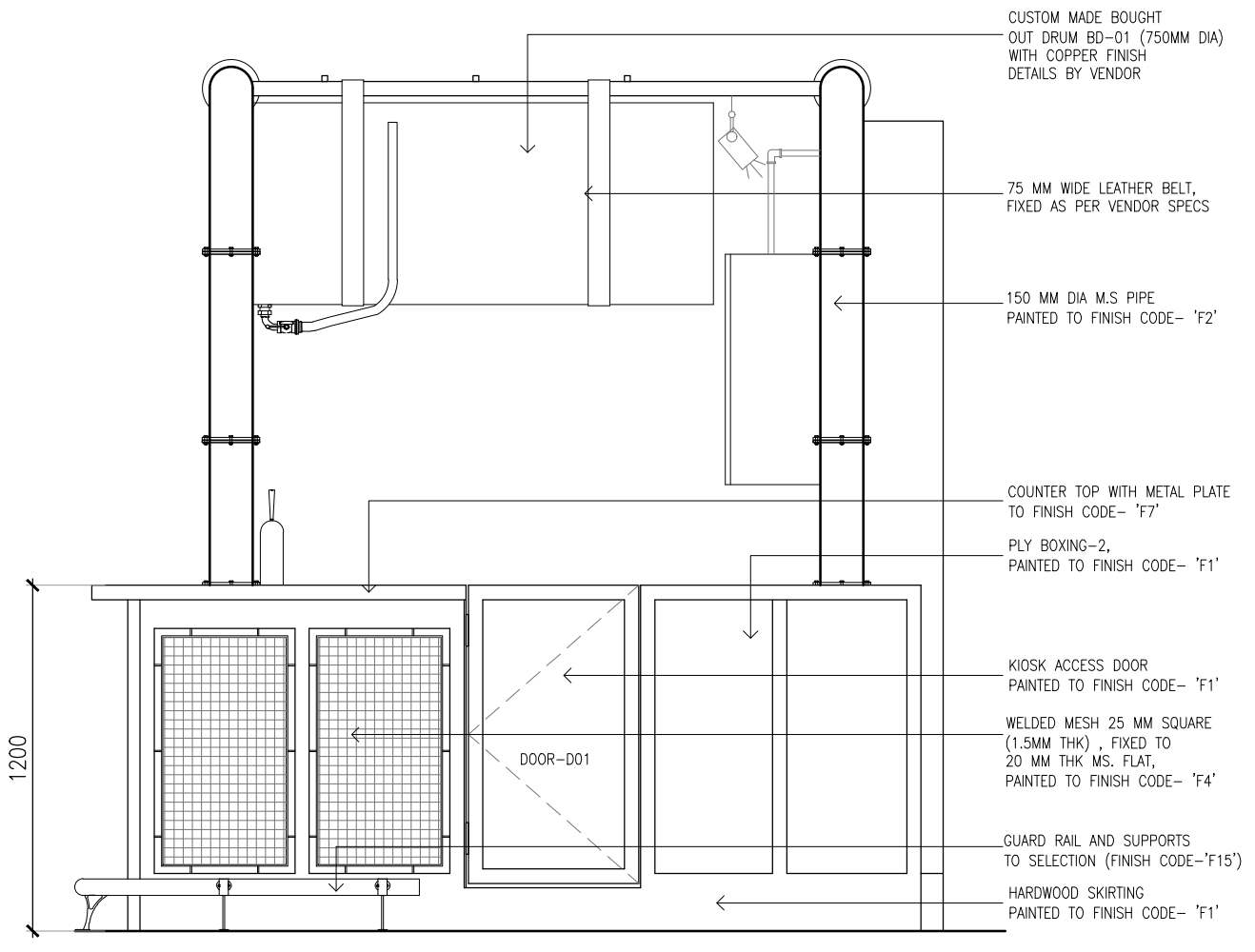
SCALE AS MENTIONED DATE 10/08/20 DRAWN SP A3 SHEET

STATUS  
**CONSTRUCTION**

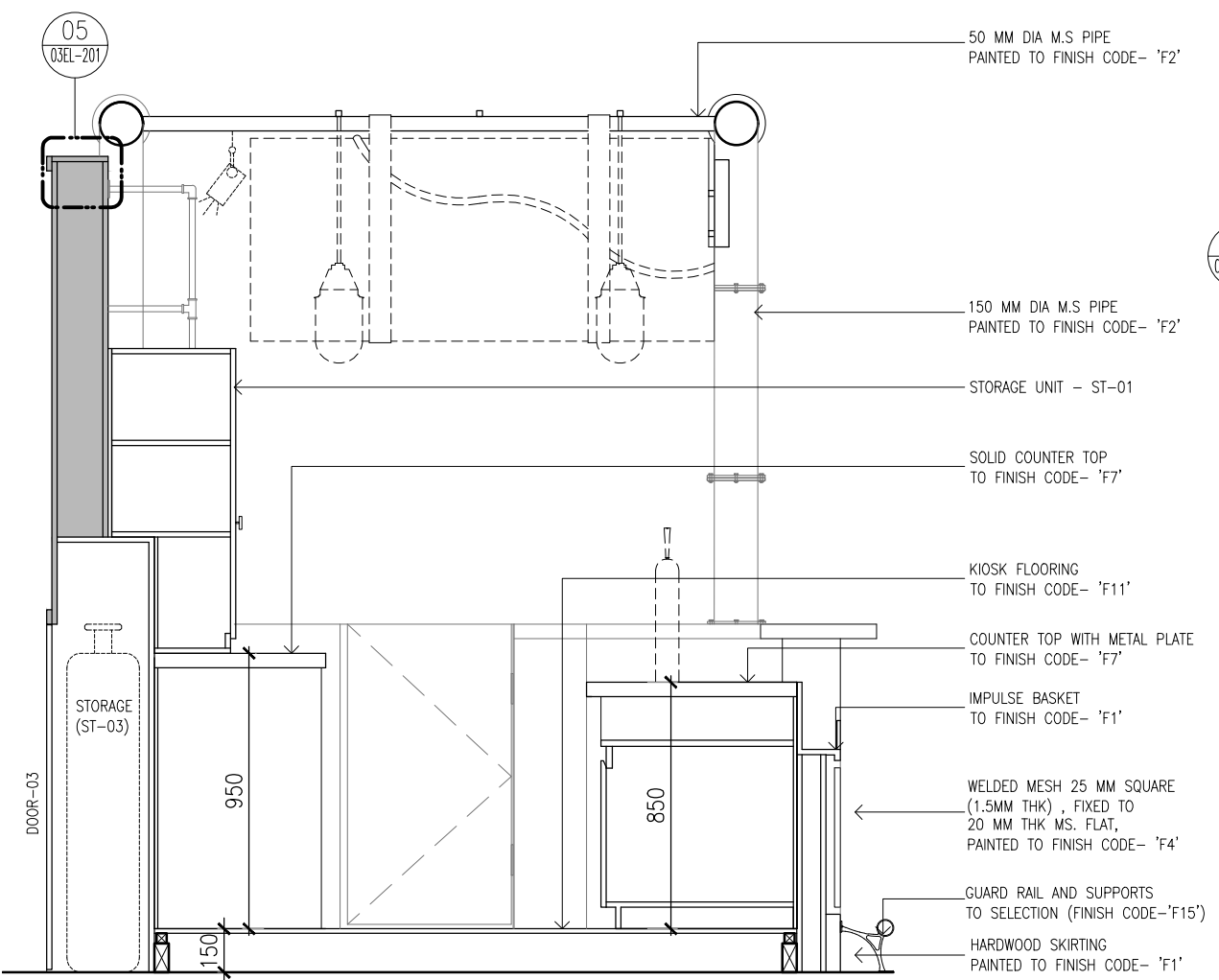
ORG	PROJECT NO	DRAWING TYPE	NUMBER	REV
TFS	1001	03EL	201	C04



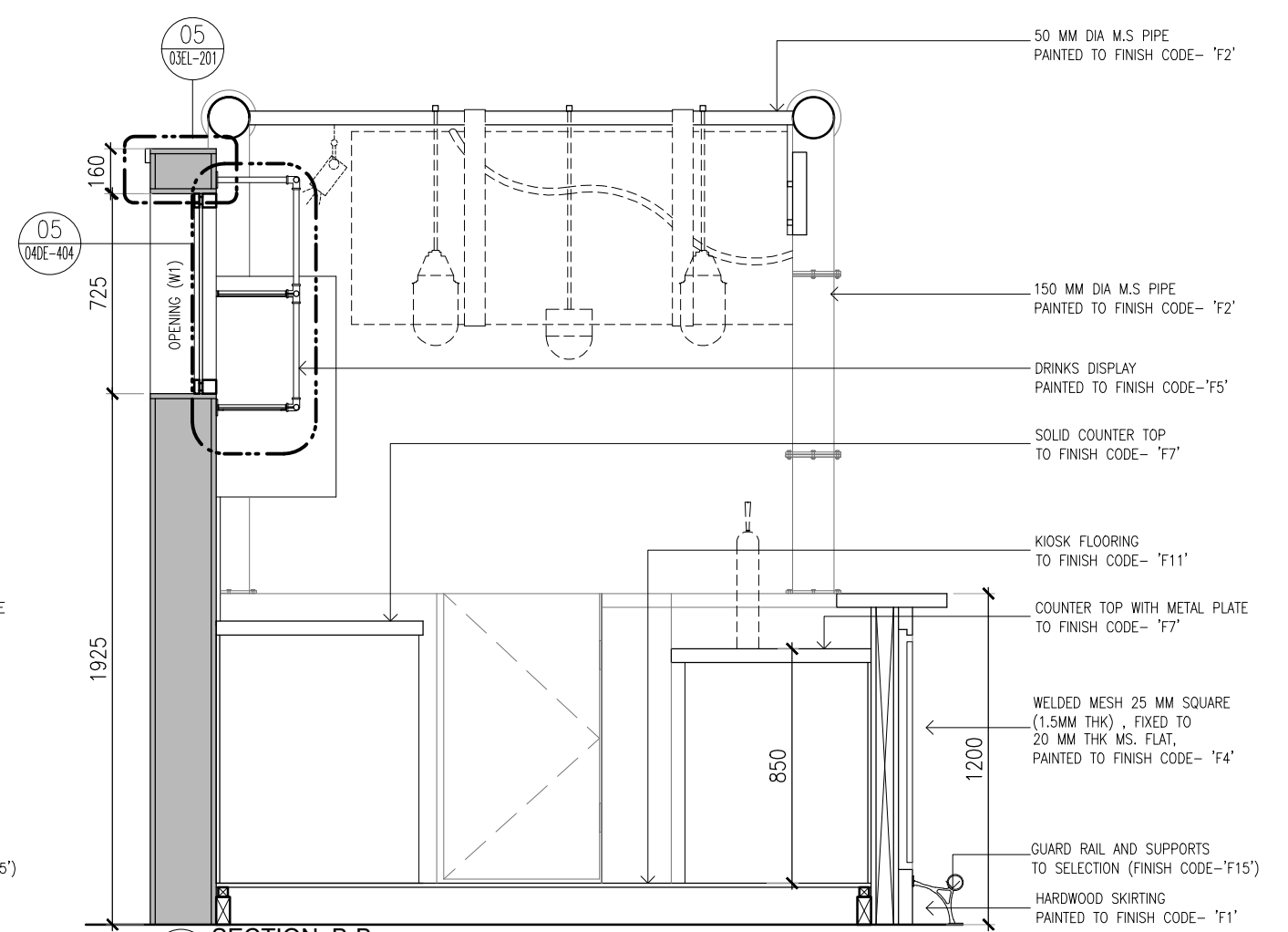
01 PROPOSED RIGHT SIDE ELEVATION  
03EL-201 1:25



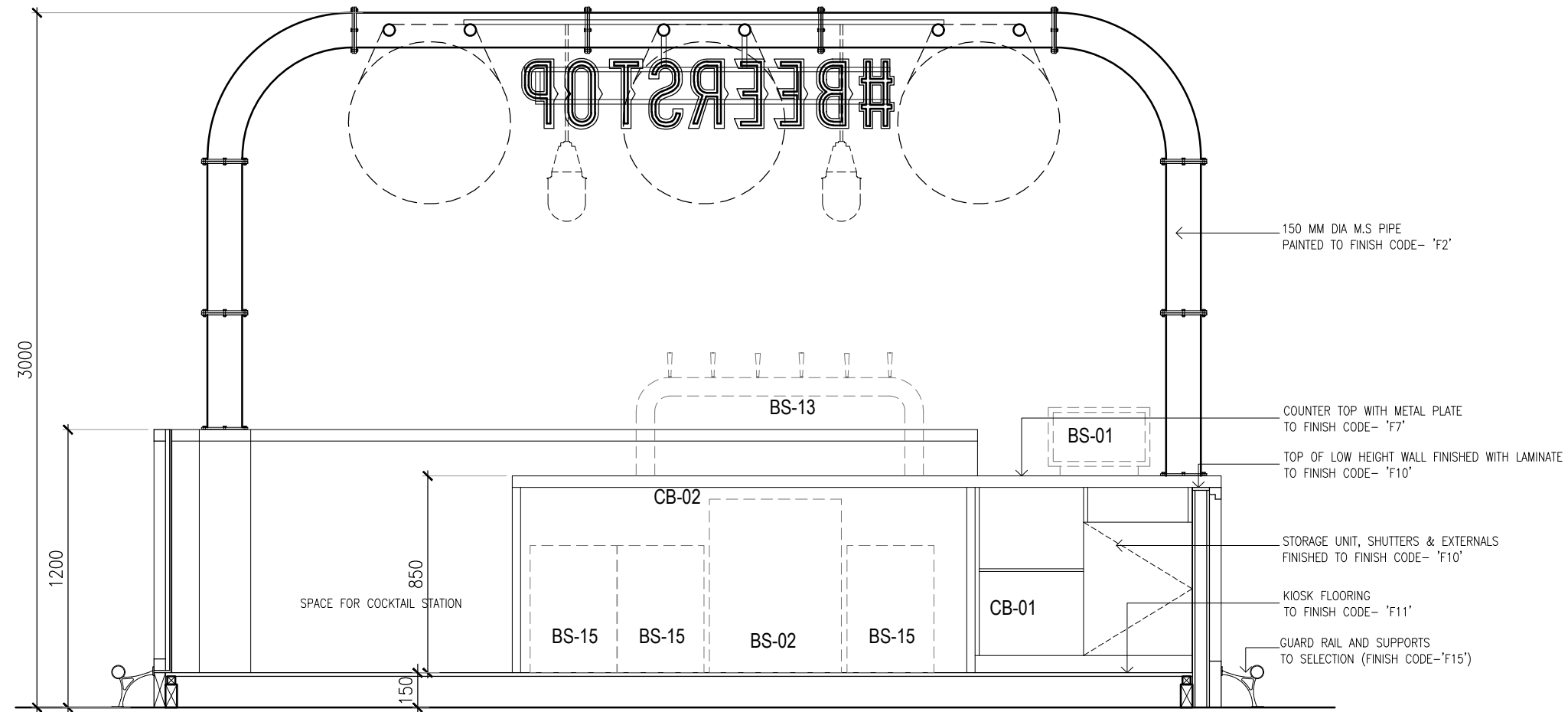
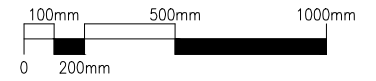
02 PROPOSED LEFT SIDE ELEVATION  
03EL-201 1:25



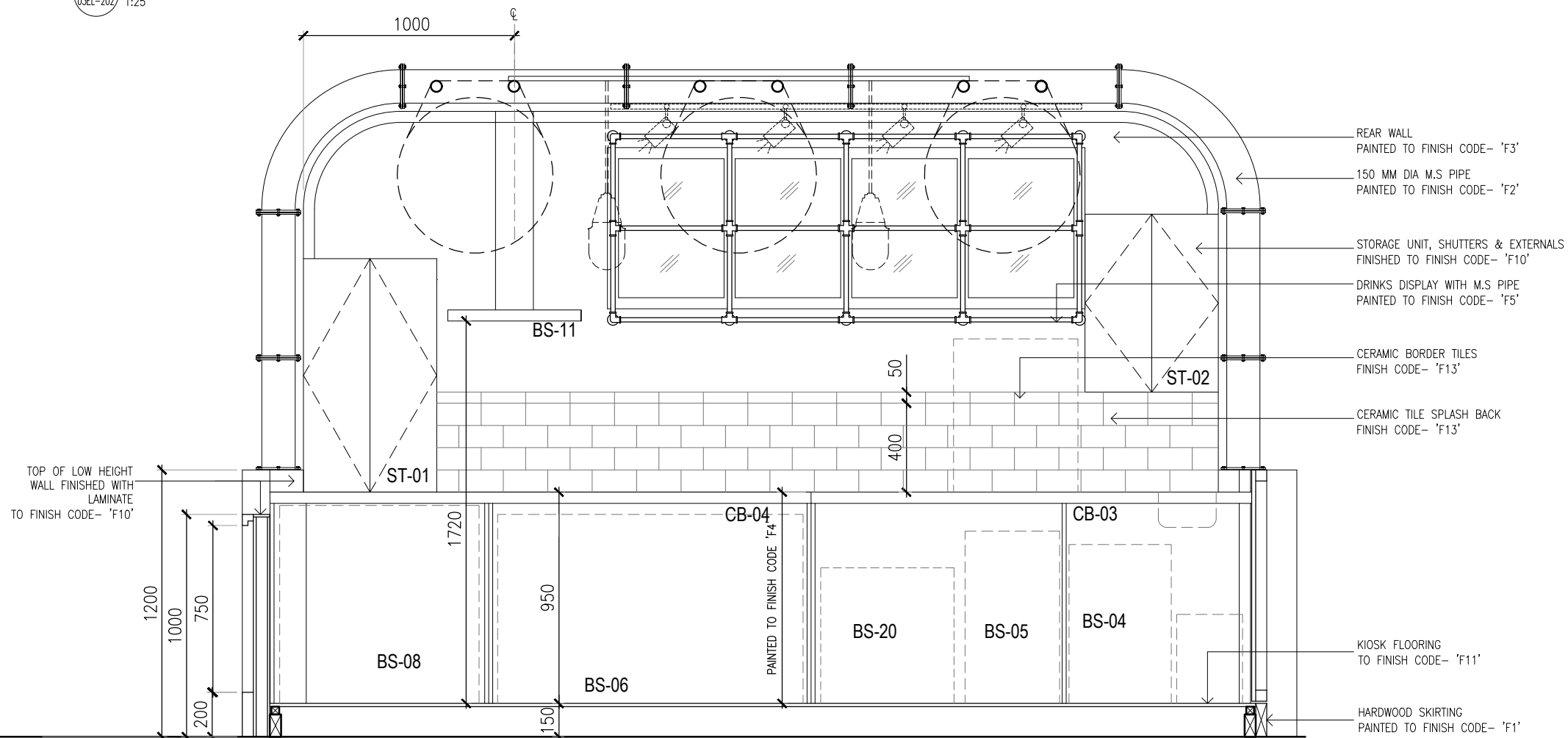
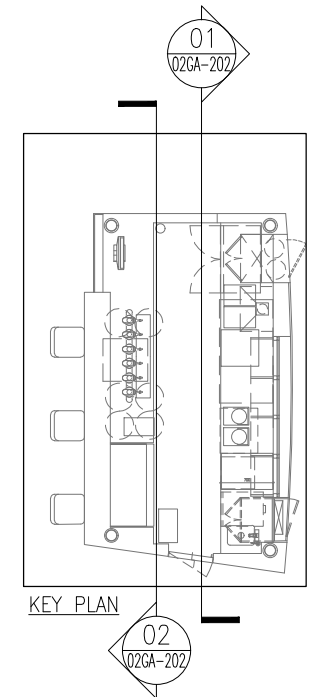
03 SECTION A-A  
03EL-201 1:25



04 SECTION B-B  
03EL-201 1:25



02 SECTION - CC  
03EL-202 1:25



01 SECTION - BB  
03EL-202 1:25

REV	DATE	DESCRIPTION	DRN	CHK
C04	10.08.20	ISSUED FOR CONSTRUCTION	SP	NM
C03	12.06.20	ISSUED FOR CONSTRUCTION	SP	NM
C02	03.06.20	ISSUED FOR CONSTRUCTION	SP	NM
C01	04.05.20	ISSUED FOR CONSTRUCTION	SP	NM



PROJECT  
**BEER STOP  
T2 TERMINAL  
MUMBAI AIRPORT**

DRAWING TITLE  
**PROPOSED SECTIONS**

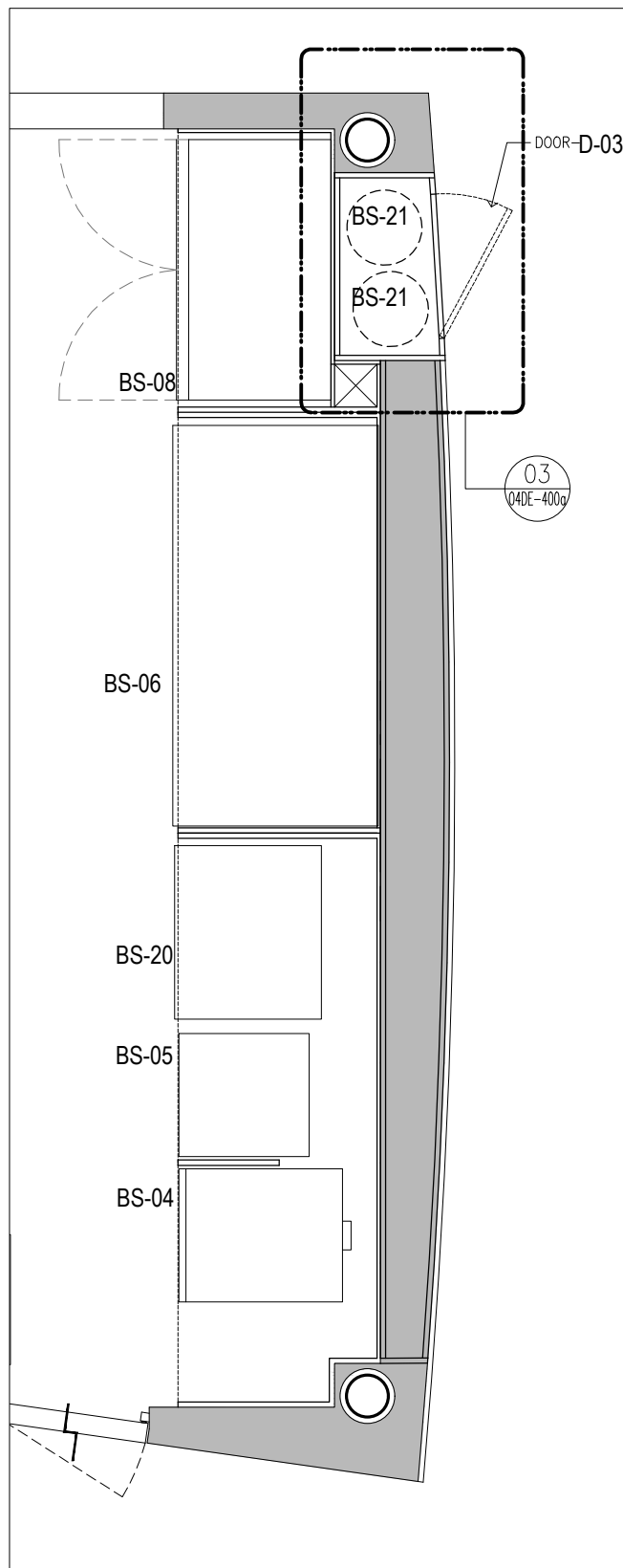
SCALE 1:25 DATE 10/08/20 DRAWN SP A3 SHEET

STATUS  
**CONSTRUCTION**

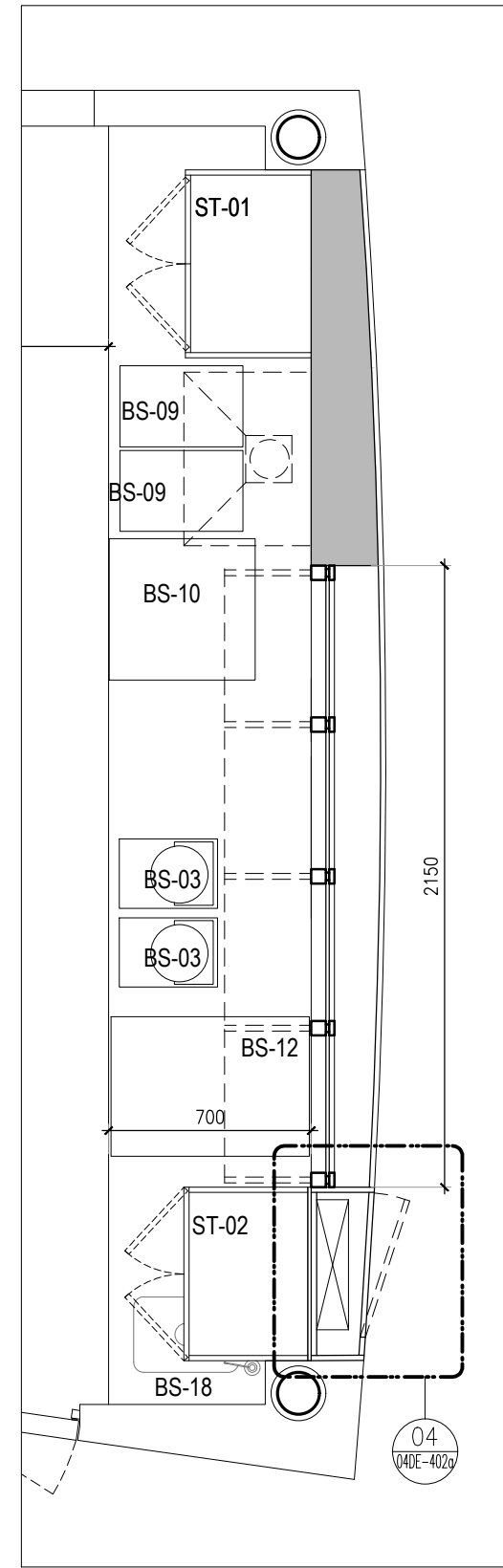
ORG	PROJECT NO	DRAWING TYPE	NUMBER	REV
TFS	1001	03EL	202	C04

ALL DIMENSIONS MUST BE CHECKED ON SITE  
INFORM THE ARCHITECT OF ANY DISCREPANCIES PRIOR TO CONSTRUCTION

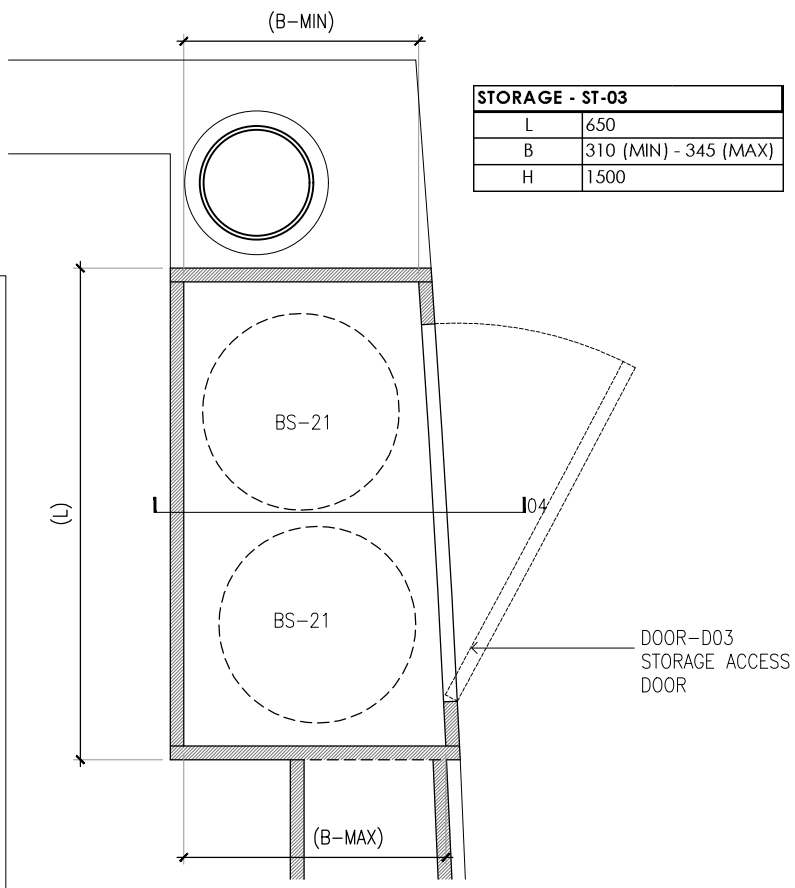
NOTE-  
CONSTRUCTION OF REAR WALL TO BE CO-ORDINATED  
WITH ELECTRICAL/PLUMBING/EQUIPMENTS CONTRACTOR  
AS REQUIRED



01 REAR COUNTER PLAN AT 600 MM LVL  
04DE-400a 1:20



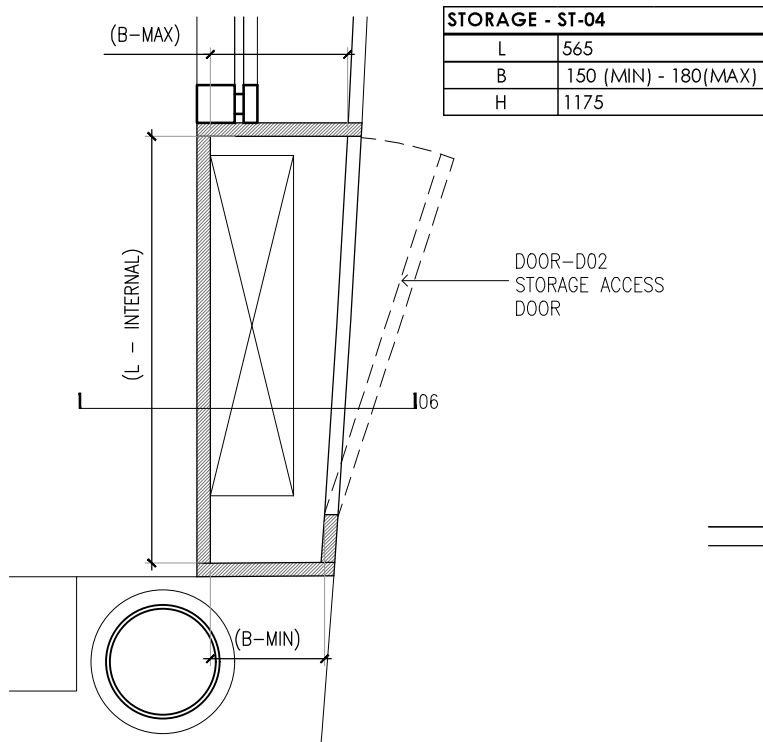
02 REAR COUNTER PLAN AT 1800 MM LVL  
04DE-400a 1:20



STORAGE - ST-03	
L	650
B	310 (MIN) - 345 (MAX)
H	1500

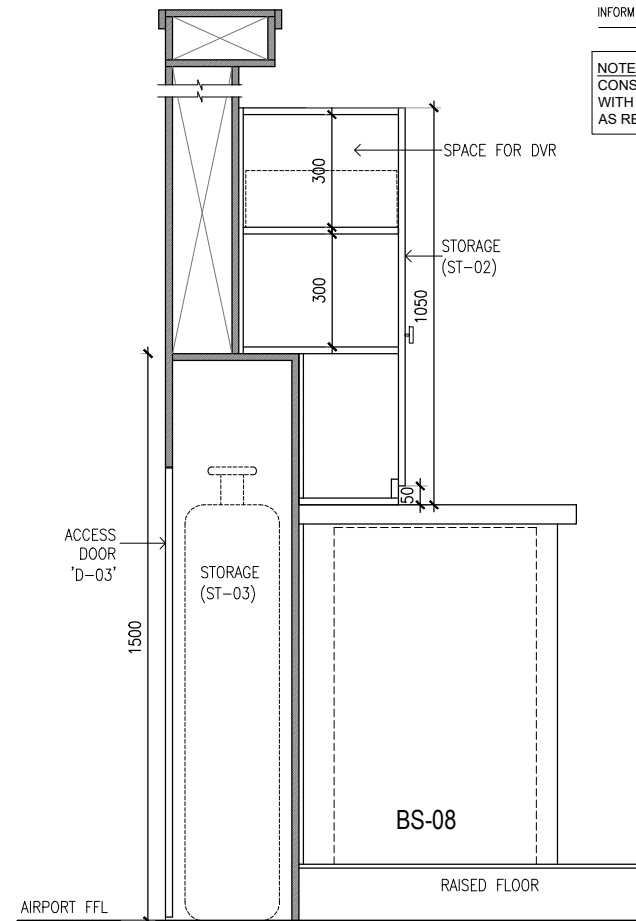
03 STORAGE-ST-03 (PLAN)  
04DE-400a 1:20

DOOR SCHEDULE					
LABEL	DESCRIPTION	PURPOSE	OPENING SIZE IN MM.	SHUTTER SIZE IN MM.	FINISH CODE
D02	ACCESS DOOR SECURED WITH ALLEN KEY LOCK	ELECTRICAL CABINET DOOR	500 x 1175 (H)	500 x 1170 (H)	F01'
D03	ACCESS DOOR SECURED WITH ALLEN KEY LOCK	CO2 STORAGE DOOR	500 x 1200 (H)	500 x 1200 (H)	F01'

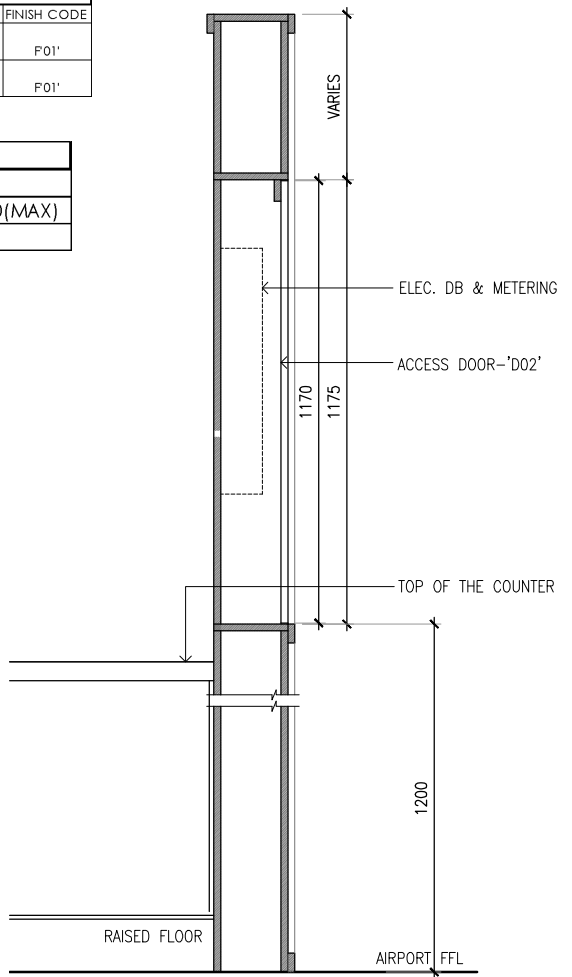


STORAGE - ST-04	
L	565
B	150 (MIN) - 180 (MAX)
H	1175

05 STORAGE-ST-04 (PLAN)  
04DE-400a 1:20



04 CROSS SECTION AT CO2 STORAGE  
04DE-400a 1:20



06 STORAGE-ST-04 (SECTION)  
04DE-400a 1:20

REV	DATE	DESCRIPTION	DRN	CHK
C03	10.08.20	ISSUED FOR CONSTRUCTION	SP	NM
C02	22.07.20	ISSUED FOR CONSTRUCTION	SP	NM
C01	12.06.20	ISSUED FOR CONSTRUCTION	SP	NM



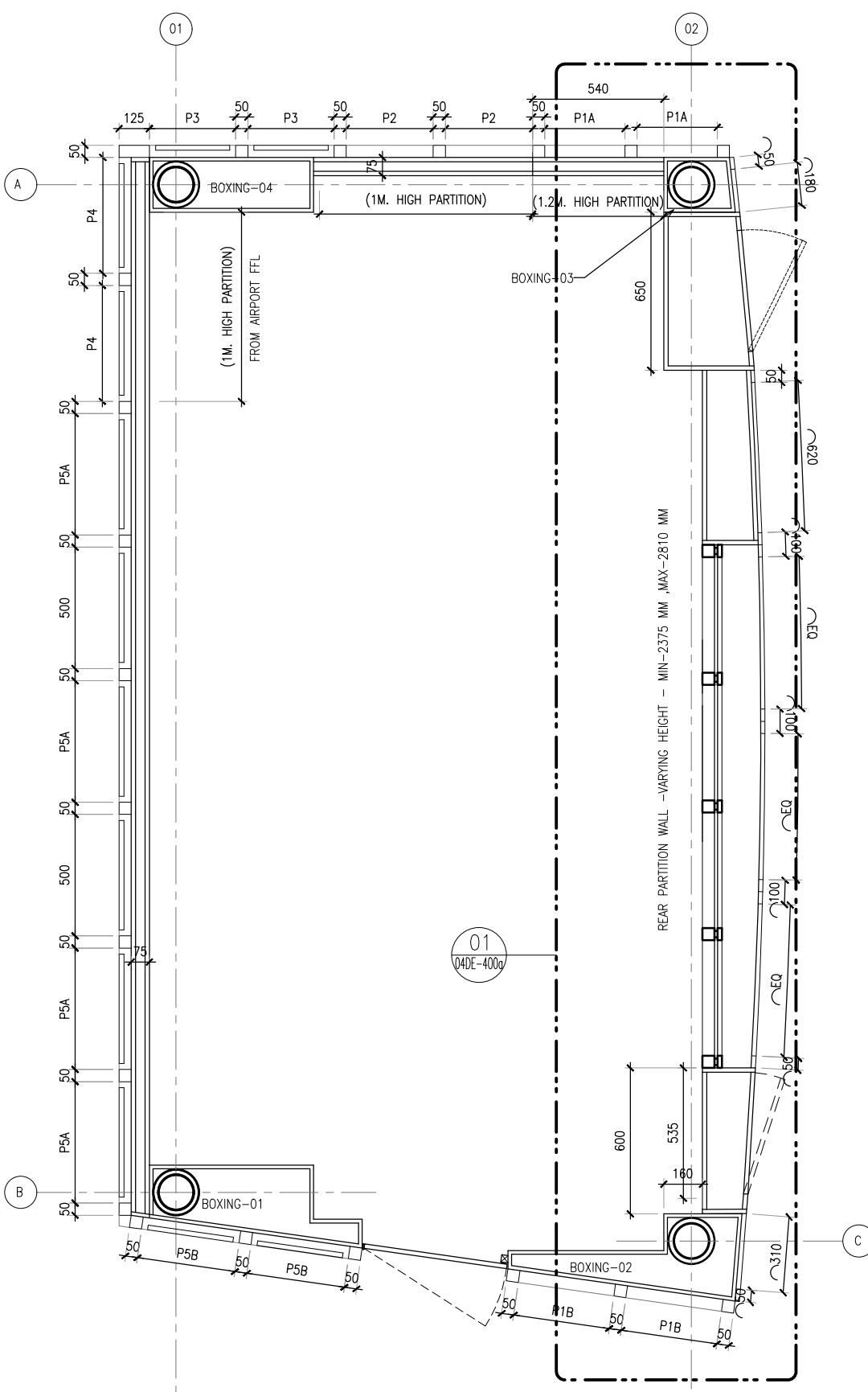
PROJECT  
**BEER STOP  
T2 TERMINAL  
MUMBAI AIRPORT**

DRAWING TITLE  
**REAR WALL / STORAGE  
'ST-03' & 'ST-04' DETAILS**

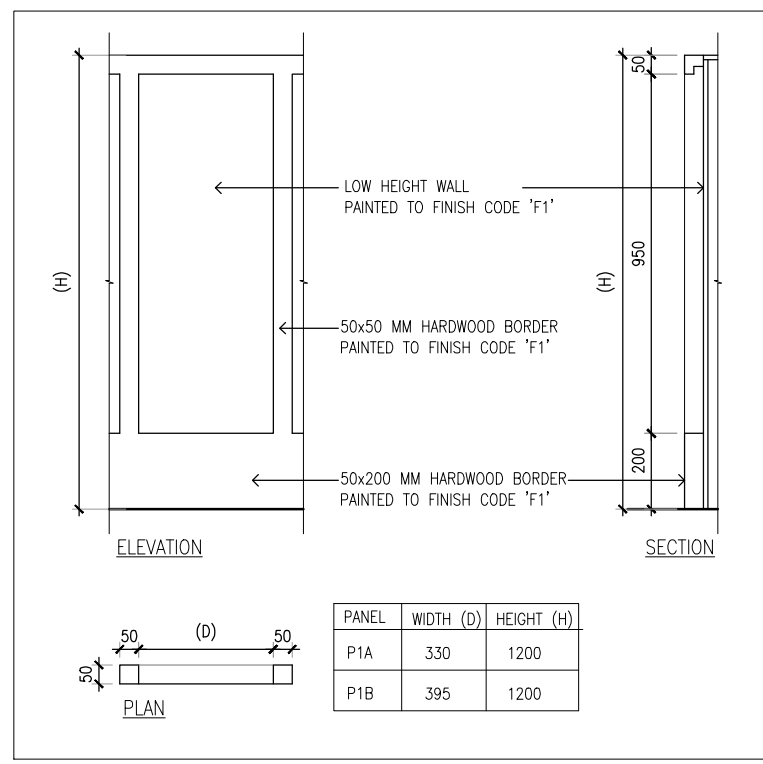
SCALE AS MENTIONED DATE: 10/08/20 DRAWN SP A3 SHEET

STATUS  
**CONSTRUCTION**

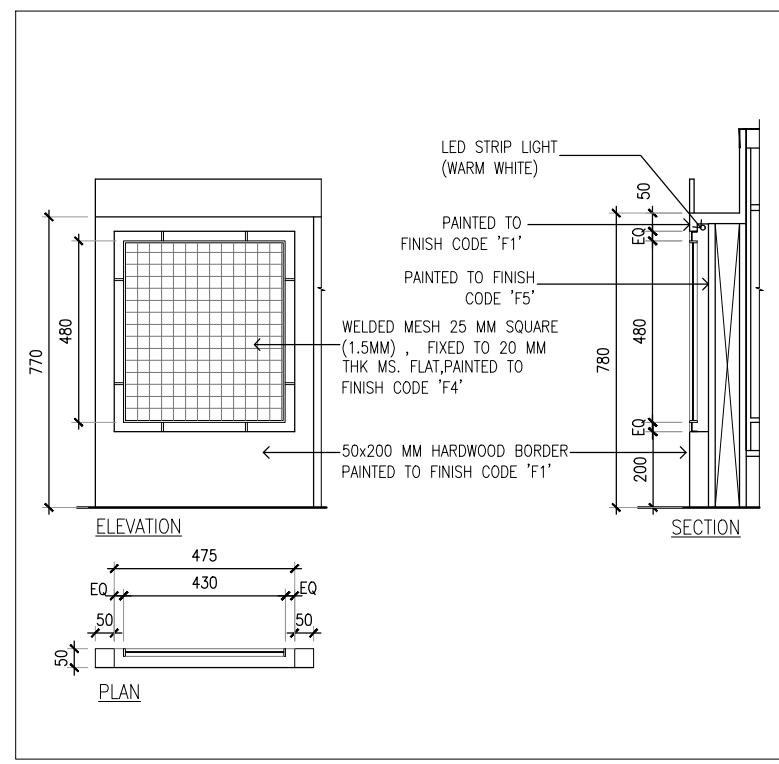
ORG PROJECT NO DRAWING TYPE NUMBER REV  
**TFS 1001 04DE 400a C03**



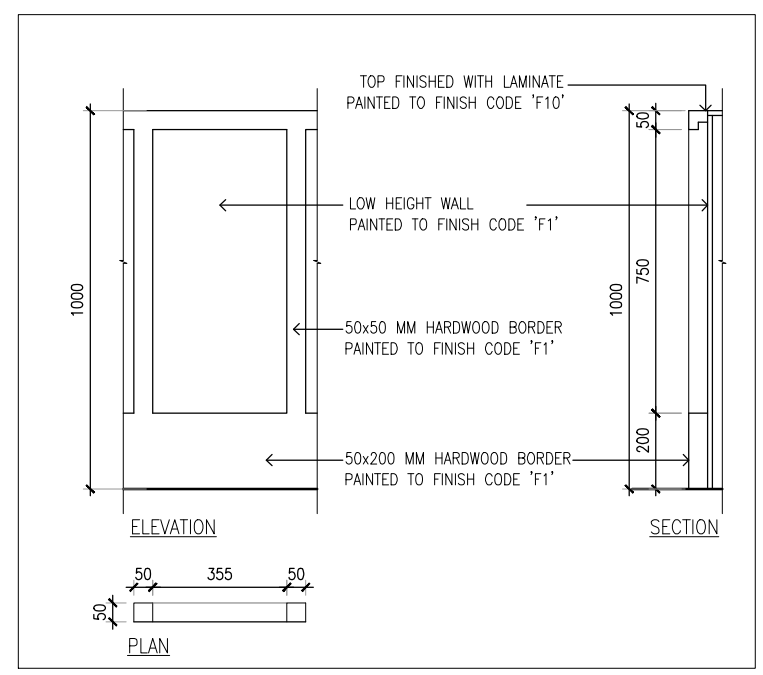
**01 PROPOSED PANEL SETTING OUT**  
04DE-400 1:25



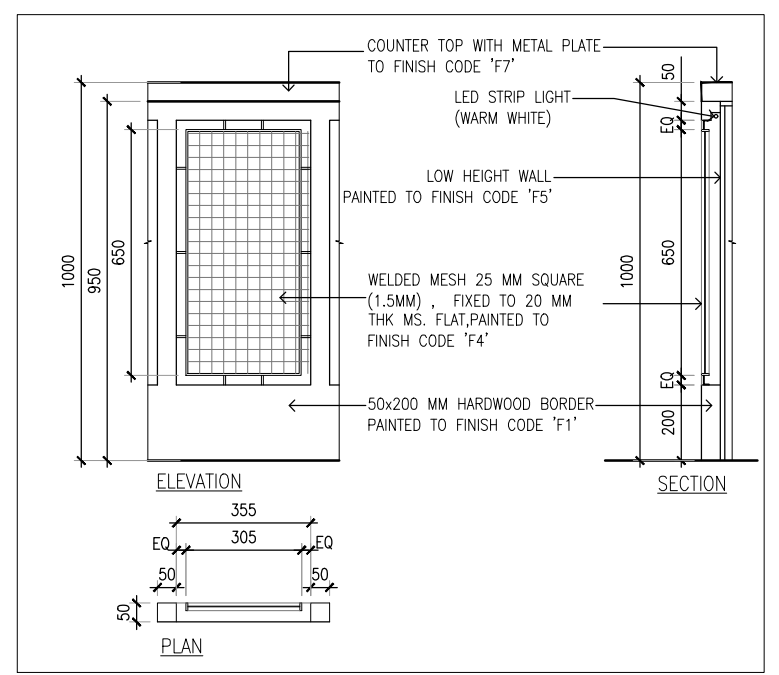
**02 DETAIL - PANELING - P1A & P1B**  
04DE-400 1:20



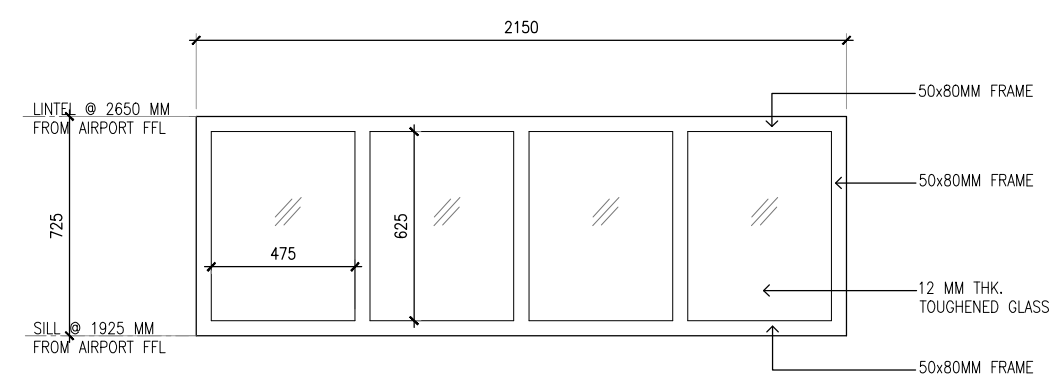
**05 DETAIL - PANELING - P4**  
04DE-400 1:20



**03 DETAIL - PANELING - P2**  
04DE-400 1:20



**04 DETAIL - PANELING - P3**  
04DE-400 1:20



**06 OPENING (W1) - ELEVATION**  
04DE-400 1:25

REV	DATE	DESCRIPTION	DRN	CHK
C04	10.08.20	ISSUED FOR CONSTRUCTION	SP	NM
C03	12.06.20	ISSUED FOR CONSTRUCTION	SP	NM
C02	03.06.20	ISSUED FOR CONSTRUCTION	SP	NM
C01	04.05.20	ISSUED FOR CONSTRUCTION	SP	NM



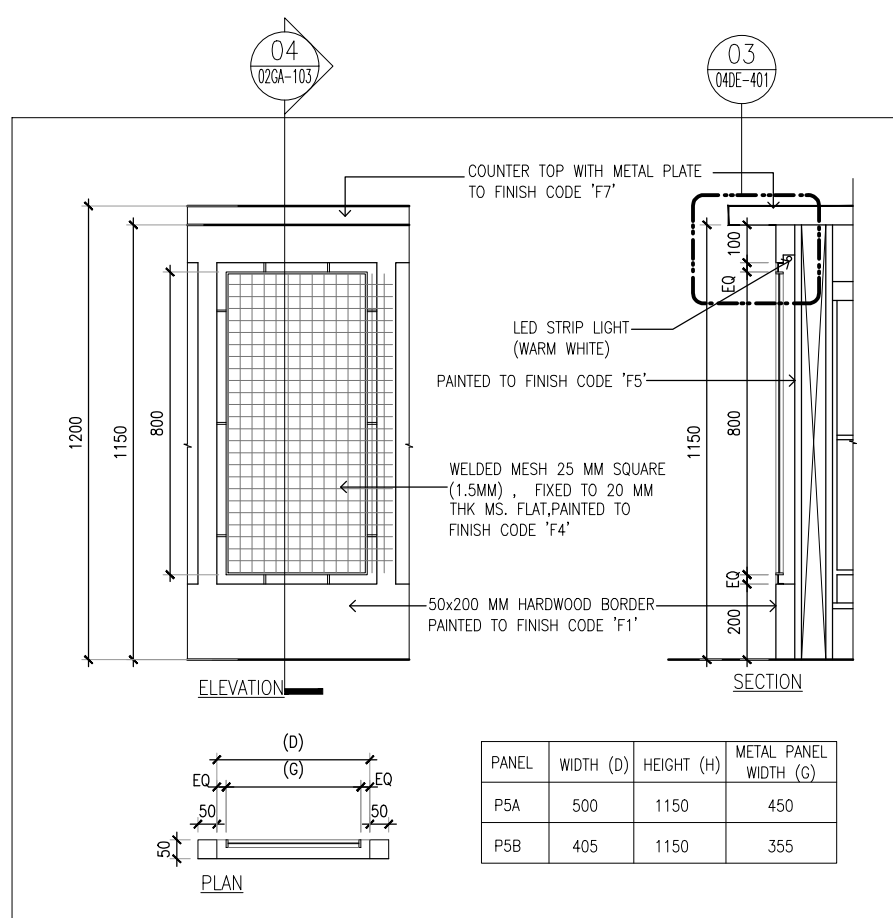
PROJECT  
**BEER STOP  
T2 TERMINAL  
MUMBAI AIRPORT**

DRAWING TITLE  
**PROPOSED PANEL SETTINGOUT  
& DETAILS**

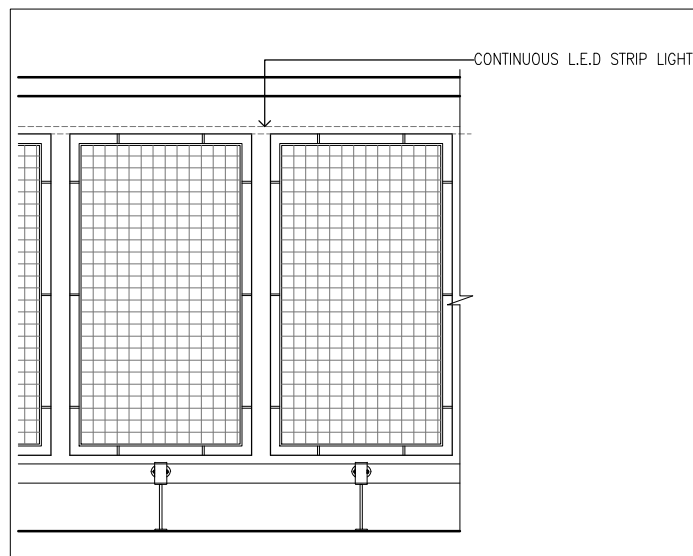
SCALE AS MENTIONED DATE: 10/08/20 DRAWN SP A3 SHEET

STATUS  
**CONSTRUCTION**

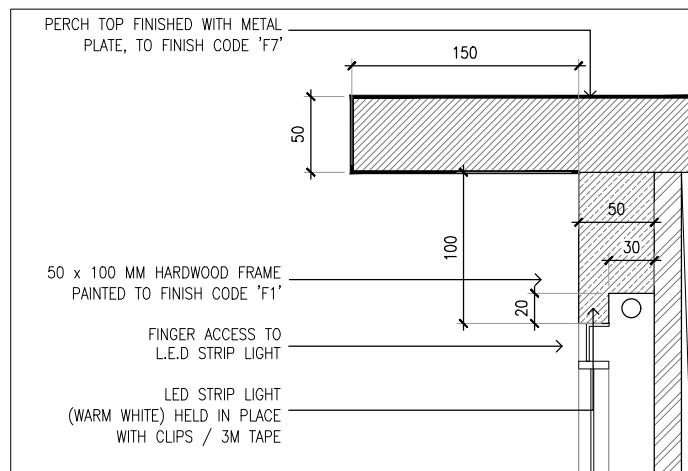
ORG PROJECT NO DRAWING TYPE NUMBER REV  
**TFS 1001 04DE 400 C04**



01 DETAIL - PANELING - P5A & P5B  
04DE-401 1:20

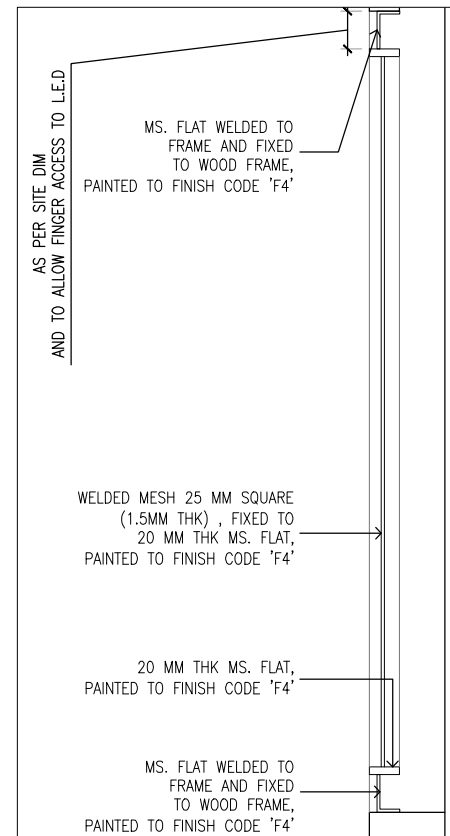


02 COUNTER ELEVATION  
04DE-401 1:20

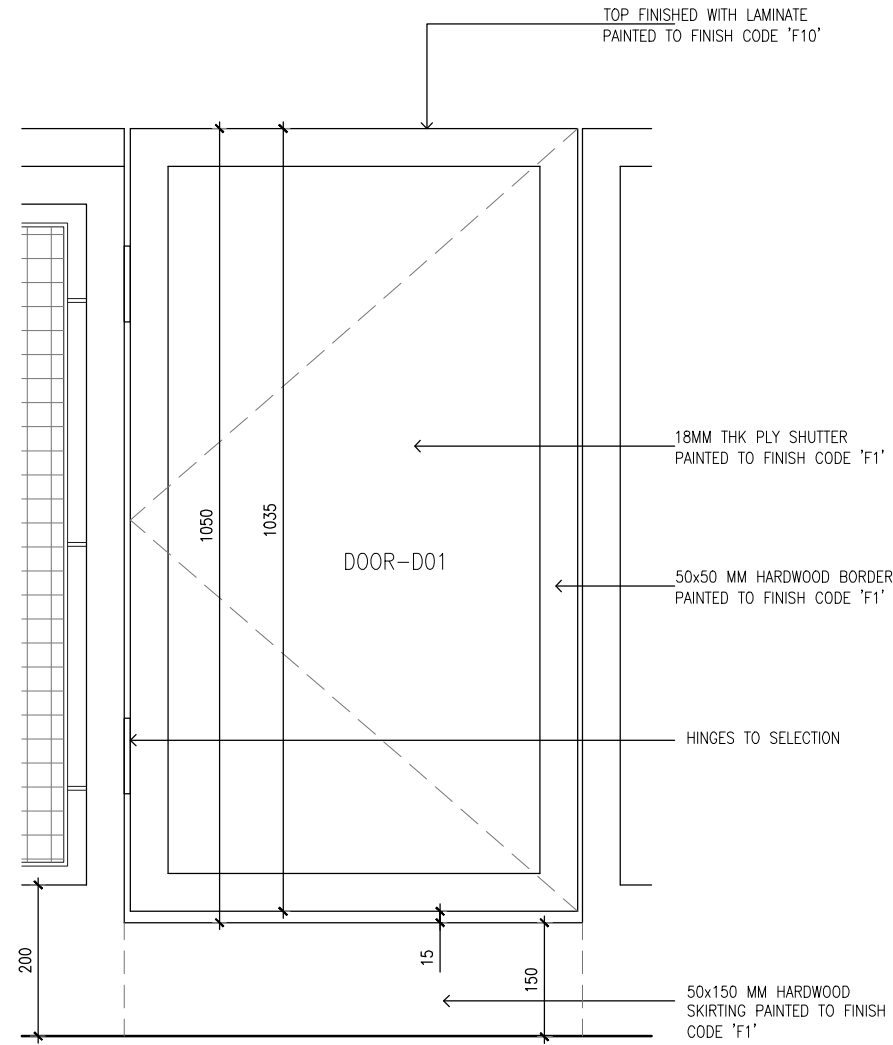


03 DETAIL - 1  
04DE-401 1:5

**NOTE**  
CONTINUOUS / THROUGH AND THROUGH OPENING FOR PASSAGE OF L.E.D. STRIP LIGHT TO BE PROVIDED AS PER VENDOR DETAILS IN CO-ORDINATION WITH ELECTRICAL CONTRACTOR/VENDOR

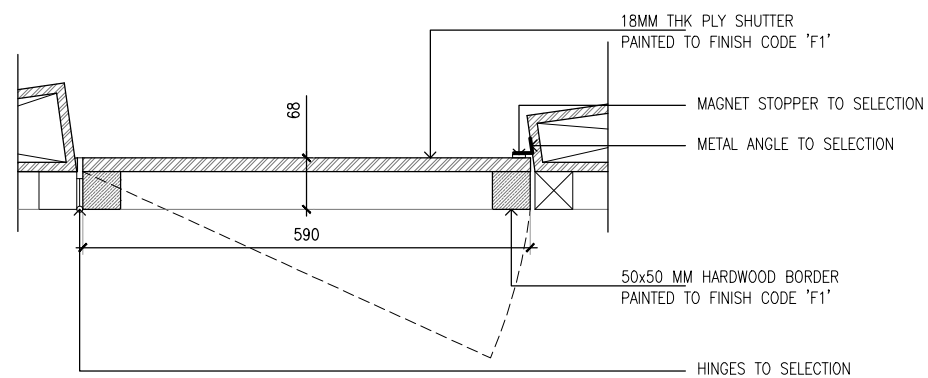


04 CROSS SECTION OF METAL FRAME  
04DE-401 1:5

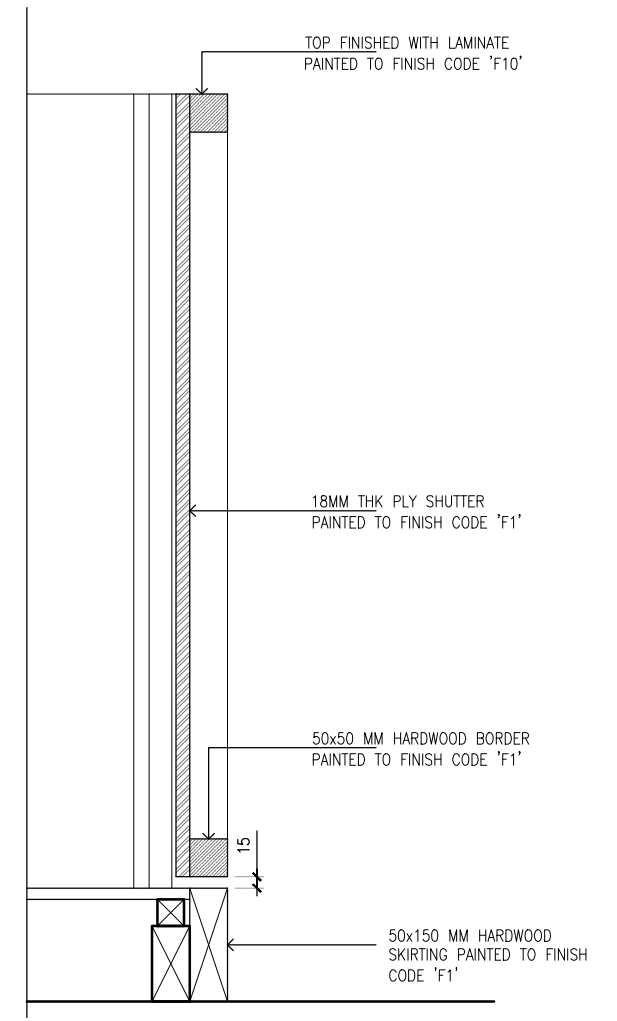


06 KOSK ACCESS DOOR - ELEVATION  
04DE-401 1:10

**NOTE**  
DOOR LEAF THICKNESS - 18 MM PLY+ 50x50 MM HARDWOOD BORDER = 68 MM  
EXACT FIXING HEIGHT/LOCATION/SIZE OF MAGNET STOPPER & METAL ANGLE TO BE DETERMINED BY CONTRACTOR



05 KOSK ACCESS DOOR - (D01) - PLAN  
04DE-401 1:10



07 KOSK ACCESS DOOR - CROSS SECTION  
04DE-401 1:10

REV	DATE	DESCRIPTION	DRN	CHK
C02	10.08.20	ISSUED FOR CONSTRUCTION	SP	NM
C02	06.07.20	ISSUED FOR CONSTRUCTION	SP	NM



PROJECT  
**BEER STOP  
T2 TERMINAL  
MUMBAI AIRPORT**

DRAWING TITLE  
**SWING DOOR & PANEL DETAILS**

SCALE AS MENTIONED DATE 10/08/20 DRAWN SP A3 SHEET

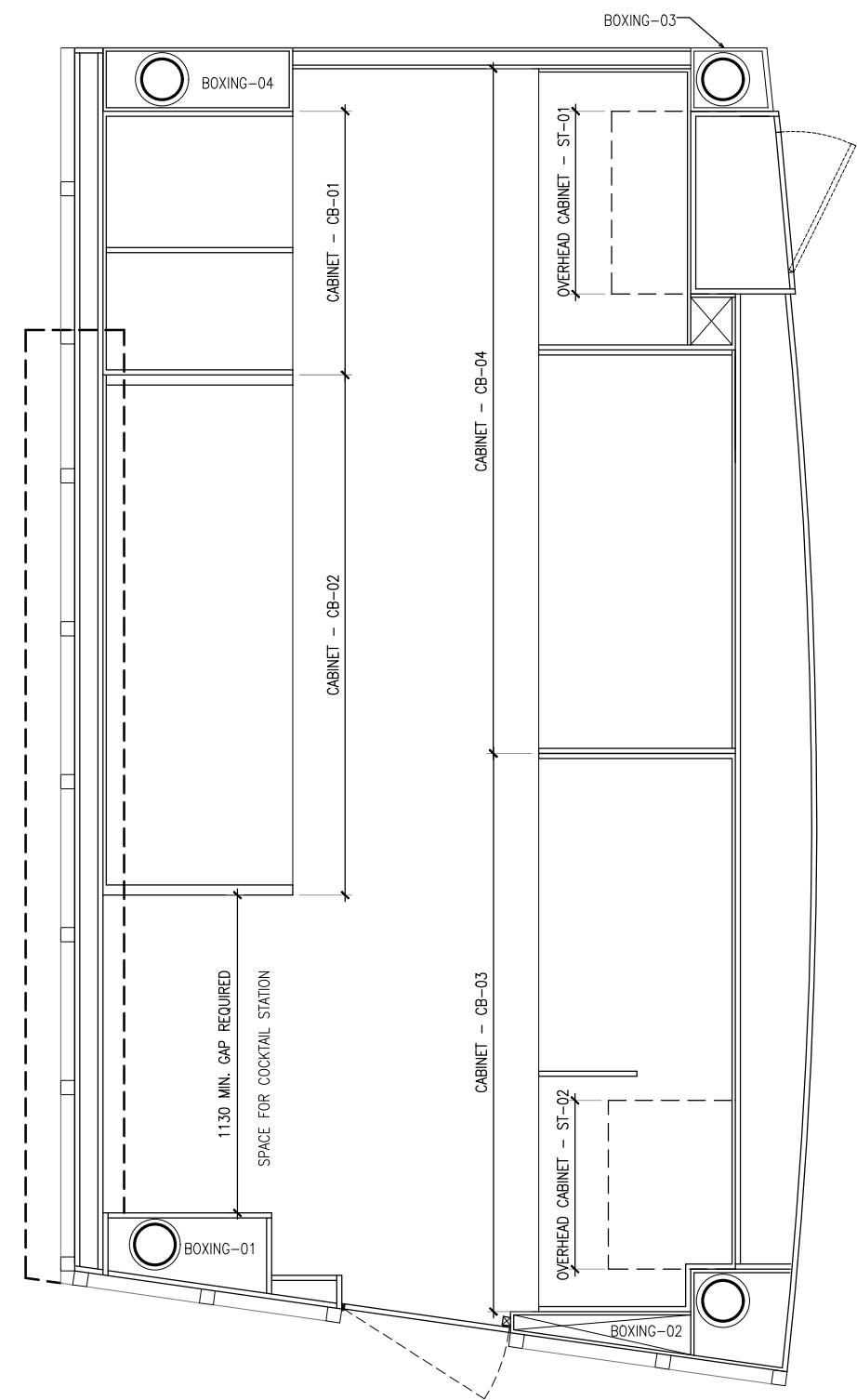
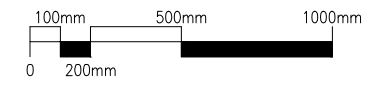
STATUS  
**CONSTRUCTION**

ORG	PROJECT NO	DRAWING TYPE	NUMBER	REV
TFS	1001	04DE	401	C03

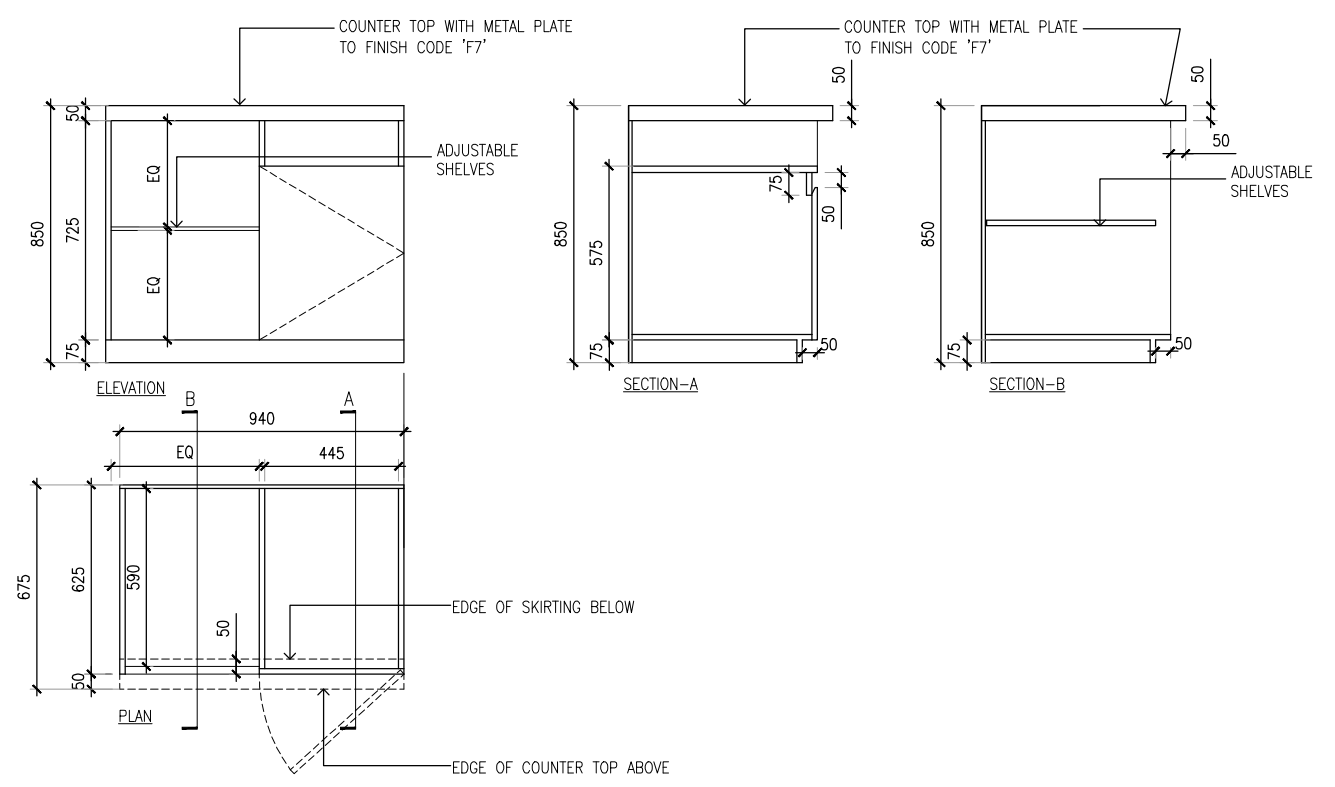
CABINETS & STORAGE LEGEND					
SR.No.	Cabinet Code	SIZE (L x B x H) IN MM	FINISH CODE		
			TOP	OUTER SIDE (W HERE EXPOSED)	INSIDE
1	CB-01	940 x 675 x 850	F7	F10	F09
2	CB-02	1850 x 675 x 850	F7	F10	F09
3	CB-03	1985 x 700 x 950	F8	F10	F09
4	CB-04	2425 x 700 x 950	F8	F10	F09
5	ST-01	650 x 440 x 1050	F10	F10	F09
6	ST-02	600 x 440 x 800		F10	F09

ALL DIMENSIONS MUST BE CHECKED ON SITE  
INFORM THE ARCHITECT OF ANY DISCREPANCIES PRIOR TO CONSTRUCTION

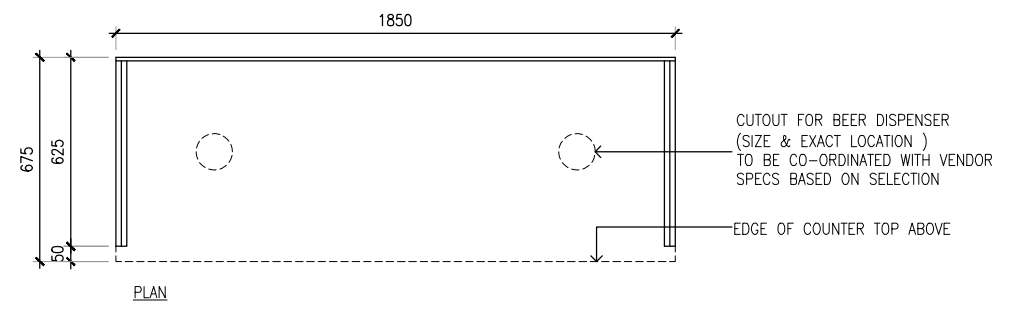
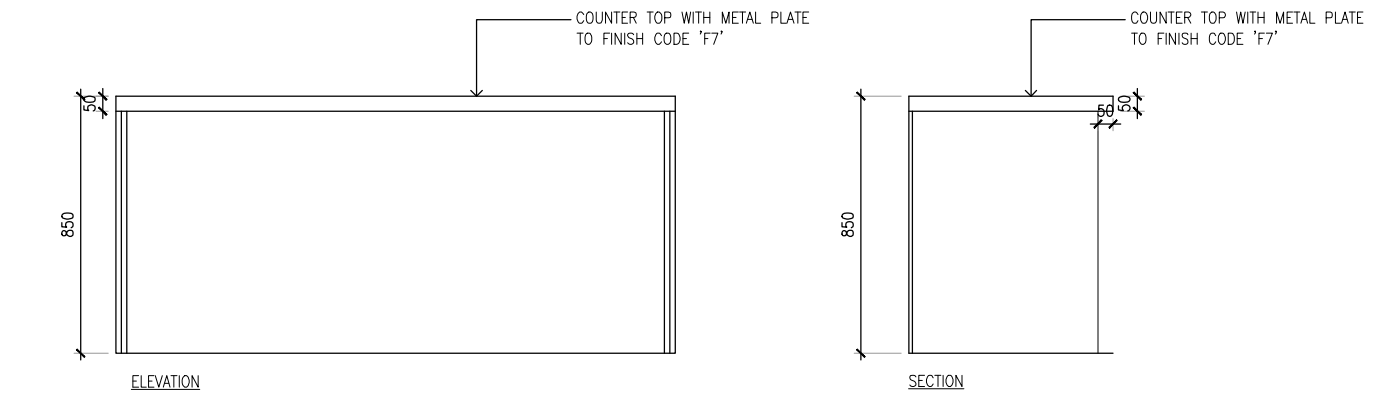
NOTE-  
CONSTRUCTION OF CABINETS & STORAGE UNITS TO BE  
CO-ORDINATED WITH ELECTRICAL/PLUMBING  
CONTRACTOR AS REQUIRED



**01** PROPOSED STORAGE UNITS- KEY PLAN  
04DE-402 1:25



**02** PROPOSED CABINET-CB-01  
04DE-402 1:25



**03** PROPOSED CABINET-CB-02  
04DE-402 1:25

REV	DATE	DESCRIPTION	DRN	CHK
C03	10.08.20	ISSUED FOR CONSTRUCTION	SP	NM
C02	12.06.20	ISSUED FOR CONSTRUCTION	SP	NM
C01	04.05.20	ISSUED FOR CONSTRUCTION	SP	NM



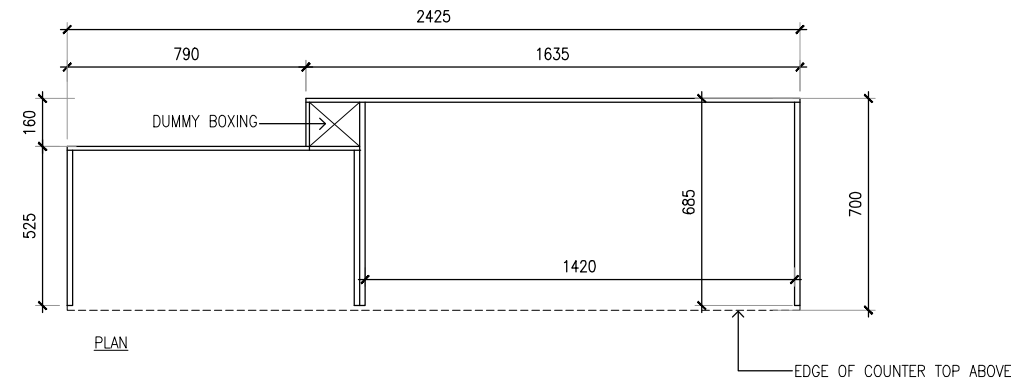
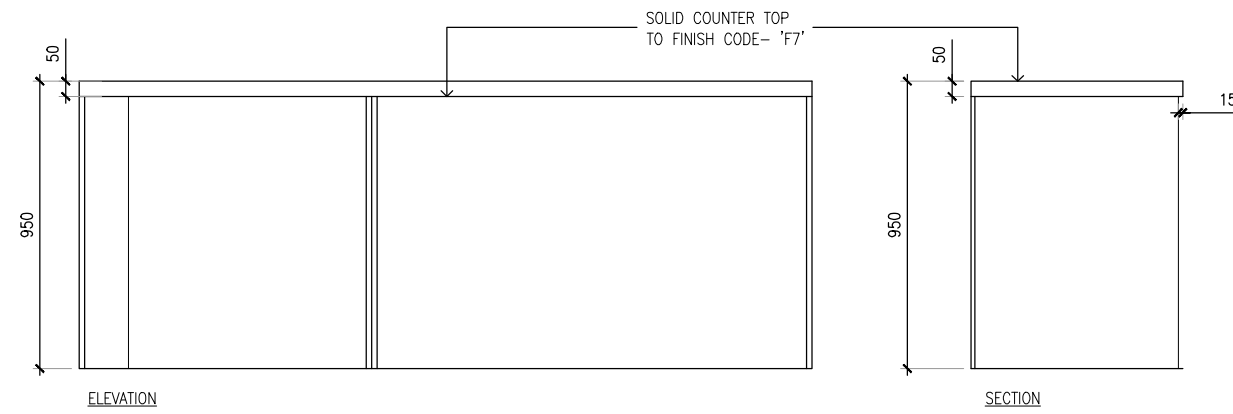
PROJECT  
**BEER STOP  
T2 TERMINAL  
MUMBAI AIRPORT**

DRAWING TITLE  
**PROPOSED CABINET DETAILS  
BX-01 & BX-02**

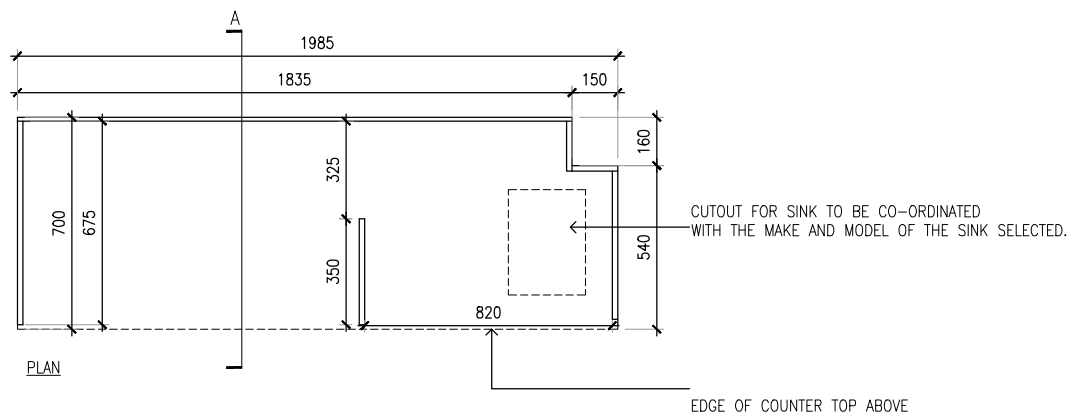
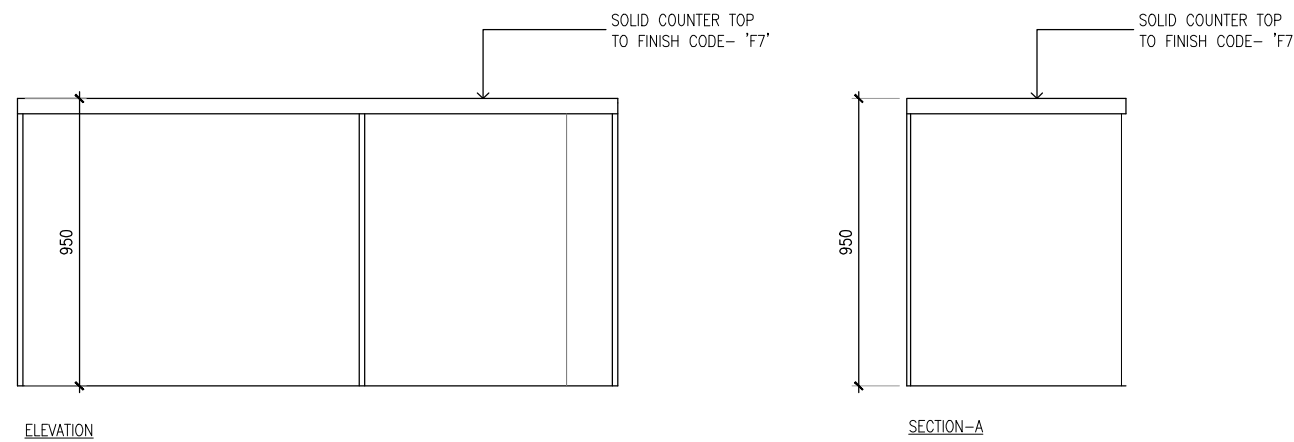
SCALE AS MENTIONED DATE 10/08/20 DRAWN SP A3 SHEET

STATUS  
**CONSTRUCTION**

ORG	PROJECT NO	DRAWING TYPE	NUMBER	REV
TFS	1001	04DE	402	C03



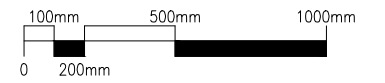
**02** PROPOSED CABINET-CB-04  
04DE-403 1:25



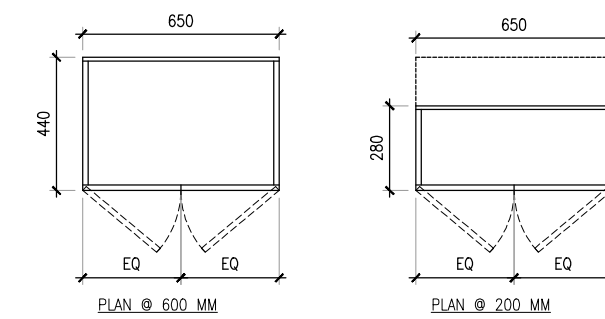
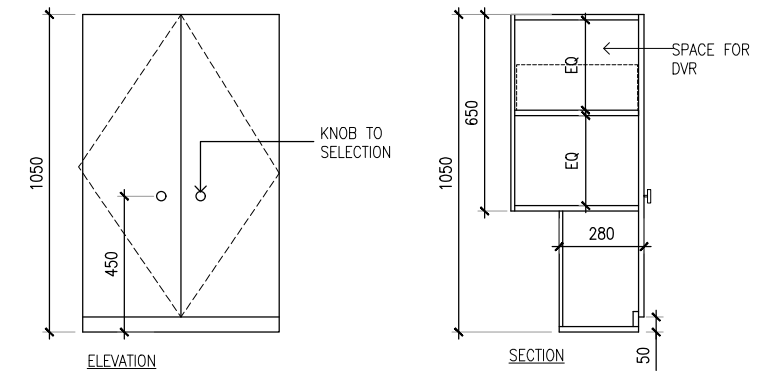
**01** PROPOSED CABINET-CB-03  
04DE-403 1:25

SR.No.	Cabinet Code	SIZE (L x B x H) IN MM	FINISH CODE		
			OUTER SIDE (W HERE EXPOSED)		
			TOP		INSIDE
1	CB-01	940 x 675 x 850	F7	F10	F09
2	CB-02	1850 x 675 x 850	F7	F10	F09
3	CB-03	1985 x 700 x 950	F8	F10	F09
4	CB-04	2425 x 700 x 950	F8	F10	F09
5	ST-01	650 x 440 x 1050	F10	F10	F09
6	ST-02	600 x 440 x 800		F10	F09

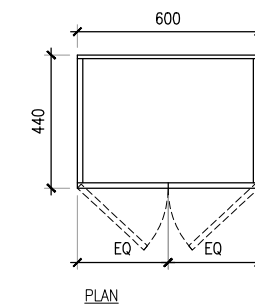
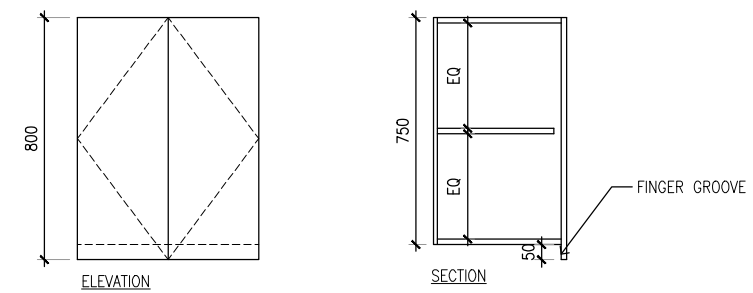
ALL DIMENSIONS MUST BE CHECKED ON SITE  
INFORM THE ARCHITECT OF ANY DISCREPANCIES PRIOR TO CONSTRUCTION



NOTE:  
CONSTRUCTION OF CABINETS & STORAGE UNITS TO BE  
CO-ORDINATED WITH ELECTRICAL/PLUMBING/EQUIPMENTS  
CONTRACTOR AS REQUIRED



**03** PROPOSED STORAGE UNIT-ST-01  
04DE-403 1:25



**04** PROPOSED STORAGE UNIT-ST-02  
04DE-403 1:25

REV	DATE	DESCRIPTION	DRN	CHK
C03	10.08.20	ISSUED FOR CONSTRUCTION	SP	NM
C02	12.06.20	ISSUED FOR CONSTRUCTION	SP	NM
C01	04.05.20	ISSUED FOR CONSTRUCTION	SP	NM



PROJECT  
**BEER STOP  
T2 TERMINAL  
MUMBAI AIRPORT**

DRAWING TITLE  
**PROPOSED CABINET DETAILS  
BX-03 , BX-04 , ST-01 & ST-02**

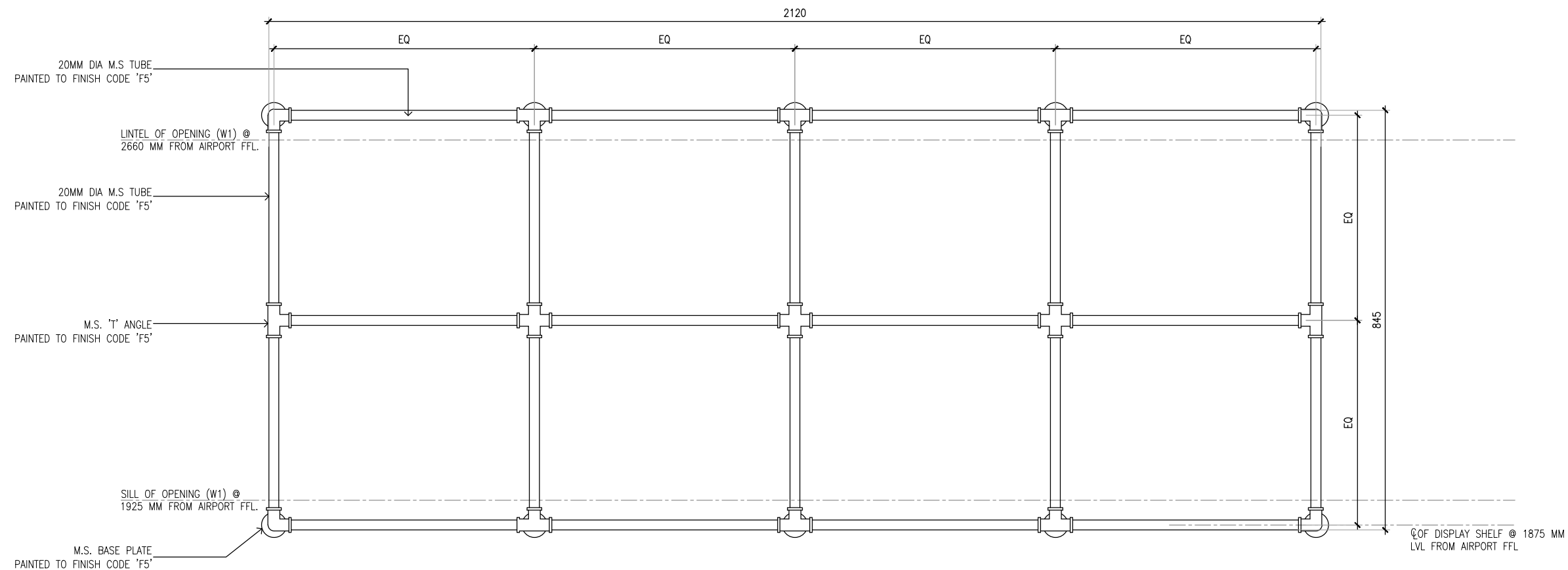
SCALE 1:25 DATE 10/08/20 DRAWN SP A3 SHEET

STATUS  
**CONSTRUCTION**

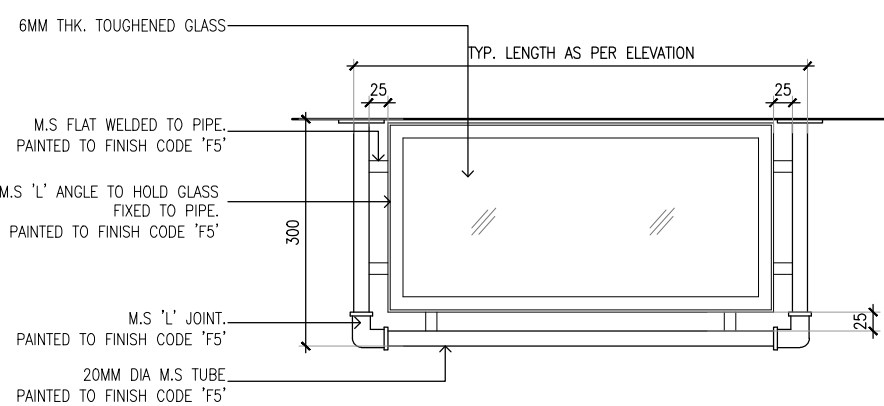
ORG	PROJECT NO	DRAWING TYPE	NUMBER	REV
TFS	1001	04DE	403	C03



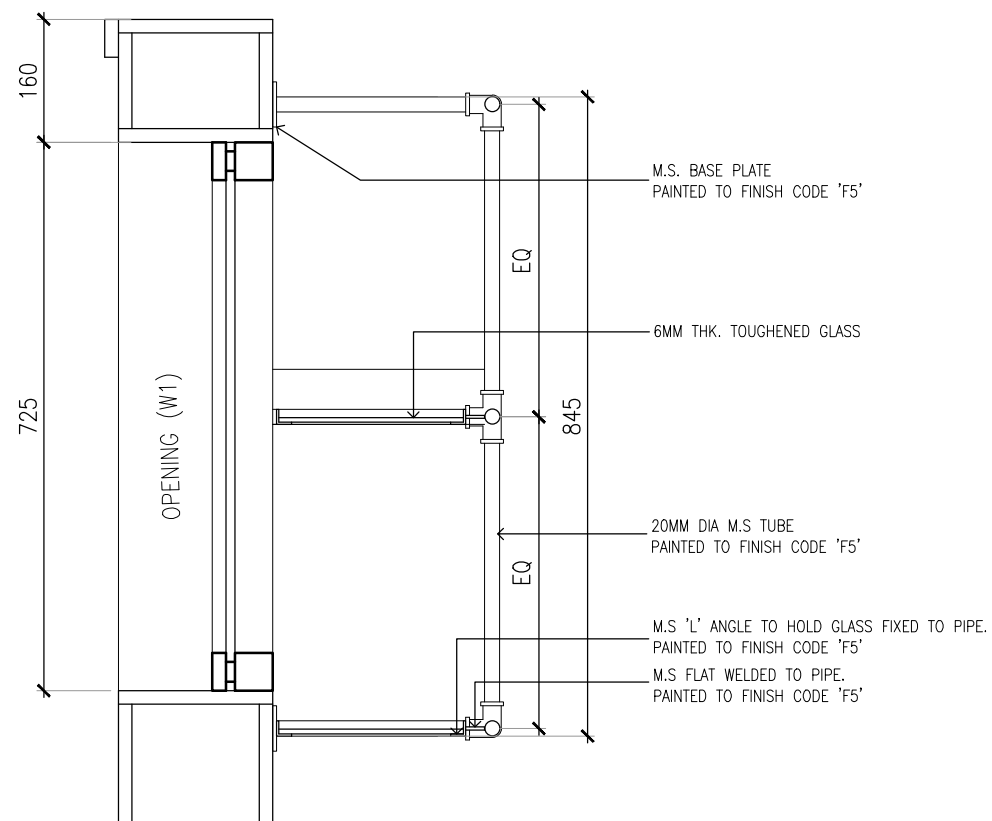
NOTE-  
DRAWINGS INDICATE DESIGN INTENT ONLY.  
CONTRACTOR IS FREE TO SUGGEST HIS/HER  
DESIGN/DETAIL TO ACHIEVE THE DESIRED DESIGN INTENT



**01 DRINKS DISPLAY (ELEVATION)**  
04DE-404 1:10



**02 DRINKS DISPLAY- (TYP.PLAN - A )**  
04DE-404 1:10



**03 DRINKS DISPLAY-TYP. SECTION**  
04DE-404 1:10

REV	DATE	DESCRIPTION	DRN	CHK
C03	10.08.20	ISSUED FOR CONSTRUCTION	SP	NM
C03	12.06.20	ISSUED FOR CONSTRUCTION	SP	NM
C02	03.06.20	ISSUED FOR CONSTRUCTION	SP	NM
C01	04.05.20	ISSUED FOR CONSTRUCTION	SP	NM



PROJECT  
**BEER STOP  
T2 TERMINAL  
MUMBAI AIRPORT**

DRAWING TITLE  
**PROPOSED DRINKS DISPLAY  
DETAILS - DD-01 & DD-02**

SCALE AS MENTIONED DATE 10/08/20 DRAWN SP A3 SHEET

STATUS  
**CONSTRUCTION**

ORG	PROJECT NO	DRAWING TYPE	NUMBER	REV
TFS	1001	04DE	404	C04

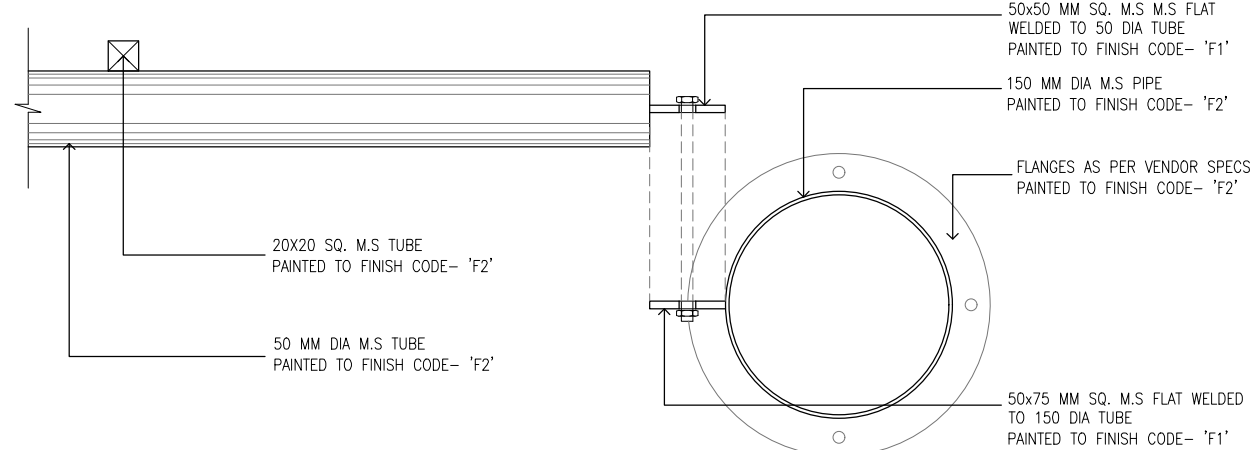
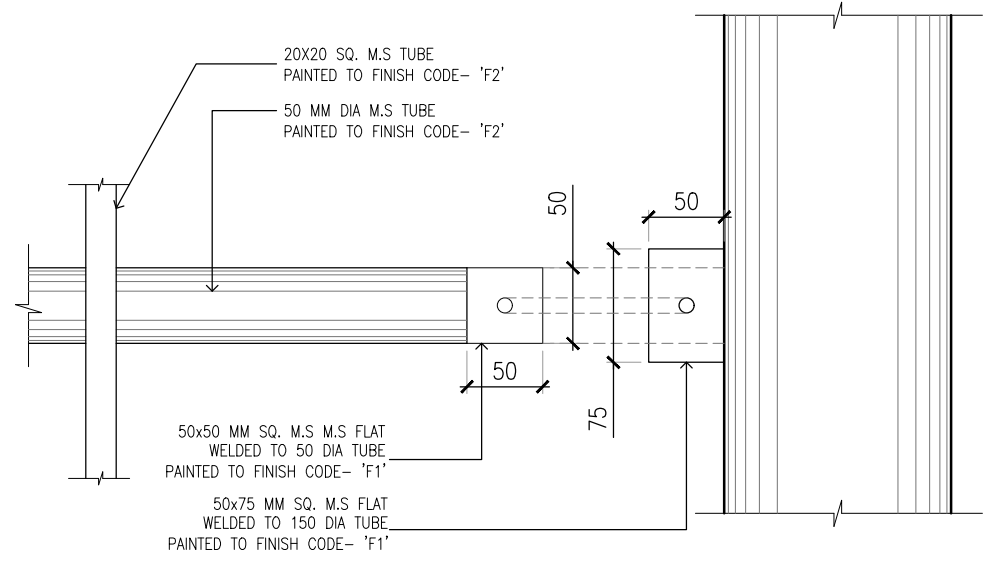
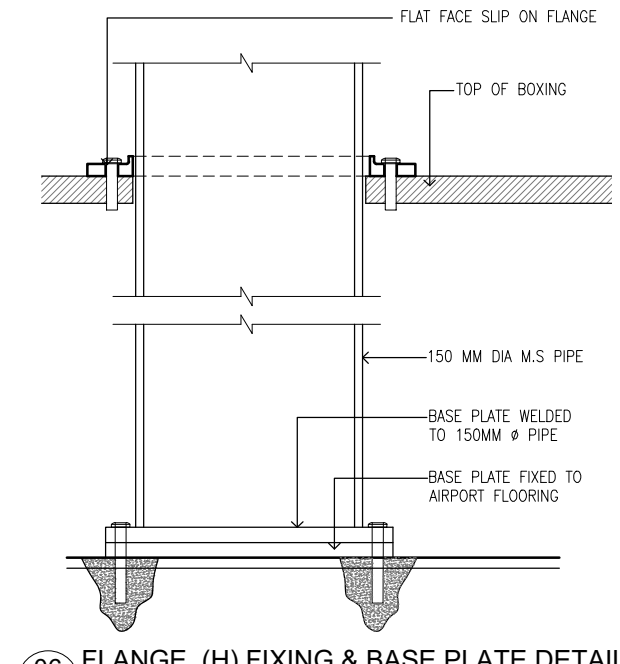
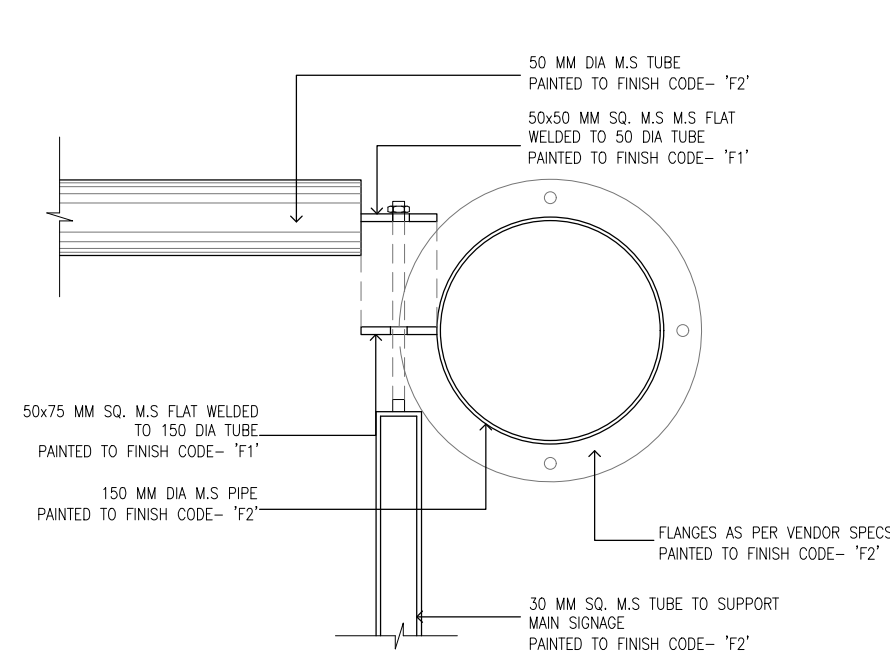
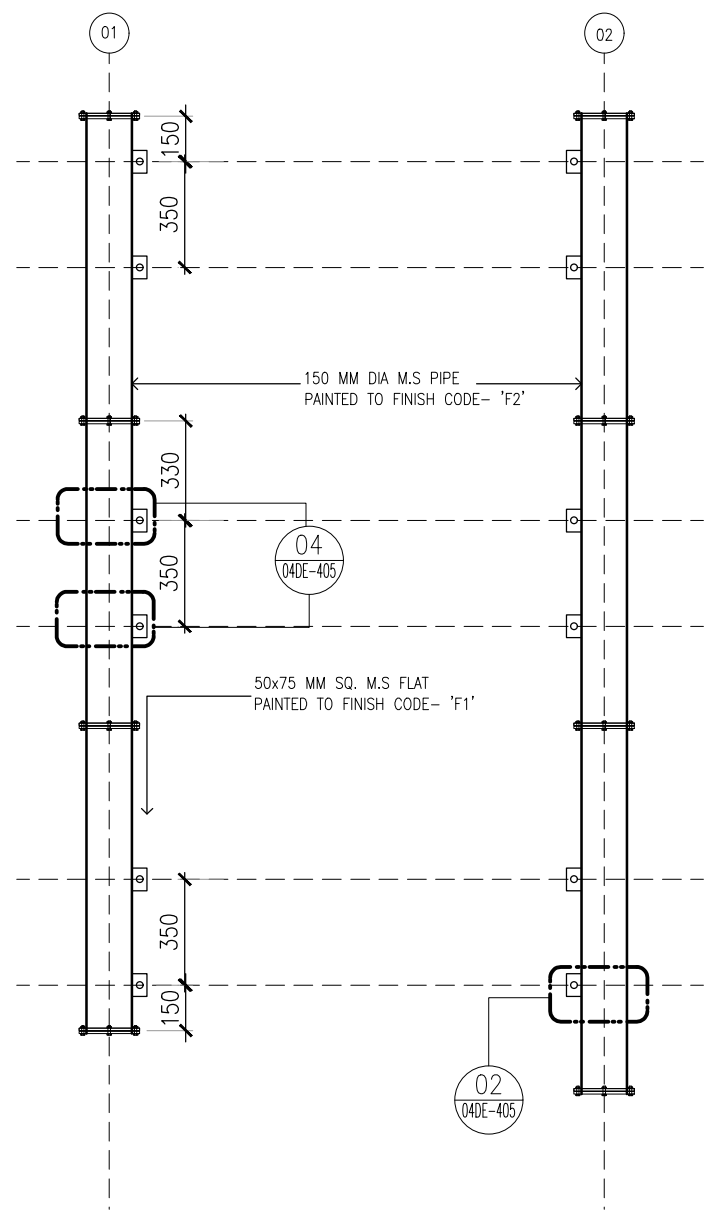
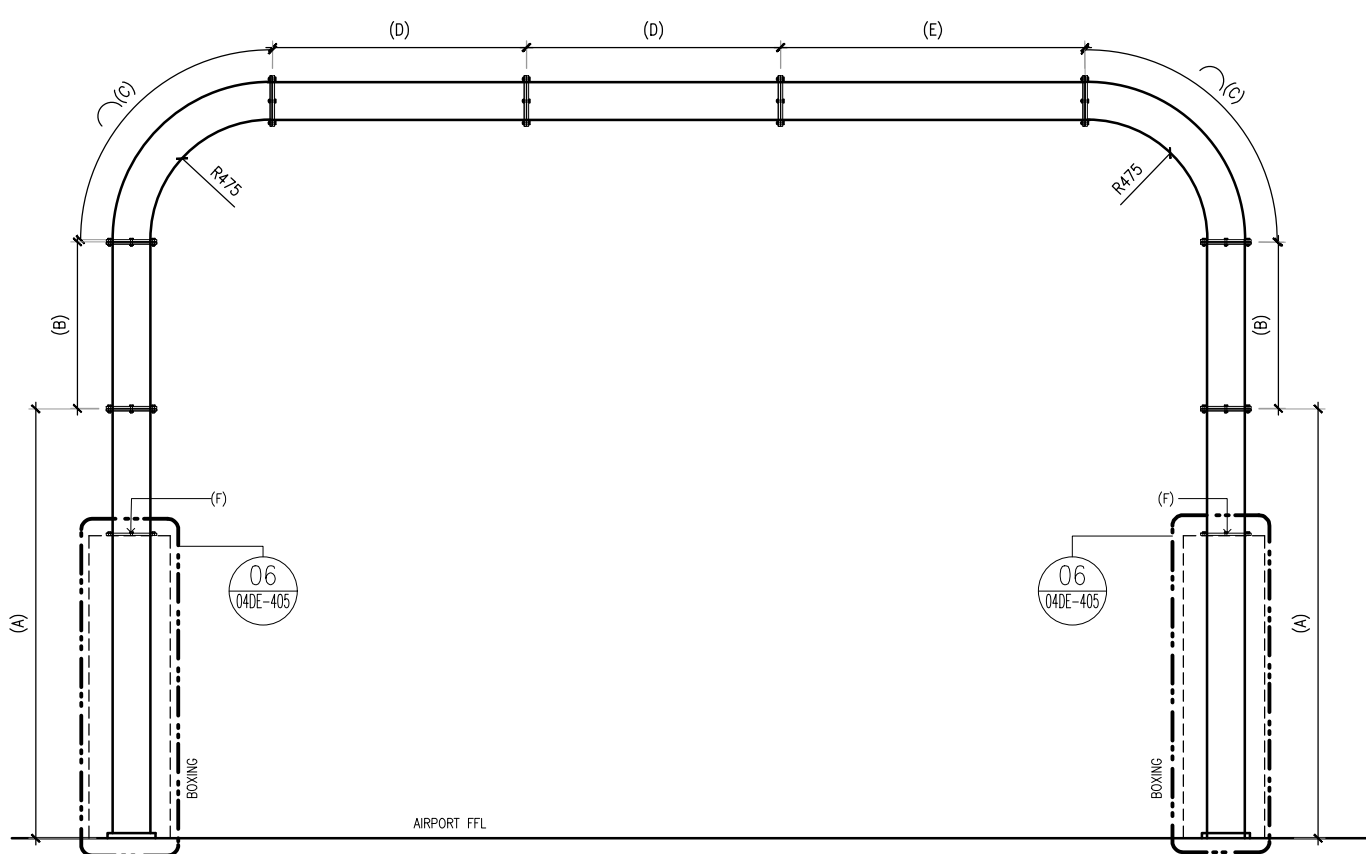
ALL DIMENSIONS MUST BE CHECKED ON SITE  
INFORM THE ARCHITECT OF ANY DISCREPANCIES PRIOR TO CONSTRUCTION

NOTE-  
DRAWINGS INDICATE DESIGN INTENT ONLY.  
CONTRACTOR IS FREE TO SUGGEST HIS/HER  
DESIGN/DETAIL TO ACHIEVE THE DESIRED DESIGN  
INTENT

CARE TO BE TAKEN TO ENSURE THAT AIRPORT FLOORING  
IS PROTECTED DURING THE ENTIRE EXECUTION OF  
WORKS AT SITE

PIPE SIZES				
SR.No.	CODE	DIA IN MM	LENGTH IN MM	COUNT
1	A1/A2	150	1705	4
2	B1/B2	150	660	4
3	C1/C2	150	980	4
4	D1/D2	150	1005	4
5	E1	150	1005	1
6	E2	150	1205	1
8	F	150 INTERNAL DIA FLAT FACE SLIP ON FLANGE		4

A1 REFERS TO PIPE SEGMENT 'A' ON GRID 1, SIMILARLY A2  
REFERS TO PIPE SEGMENT 'A' ON GRID 2 AND SO ON.



C02	03.06.20	ISSUED FOR CONSTRUCTION	SP	NM
C01	04.05.20	ISSUED FOR CONSTRUCTION	SP	NM
REV	DATE	DESCRIPTION	DRN	CHK



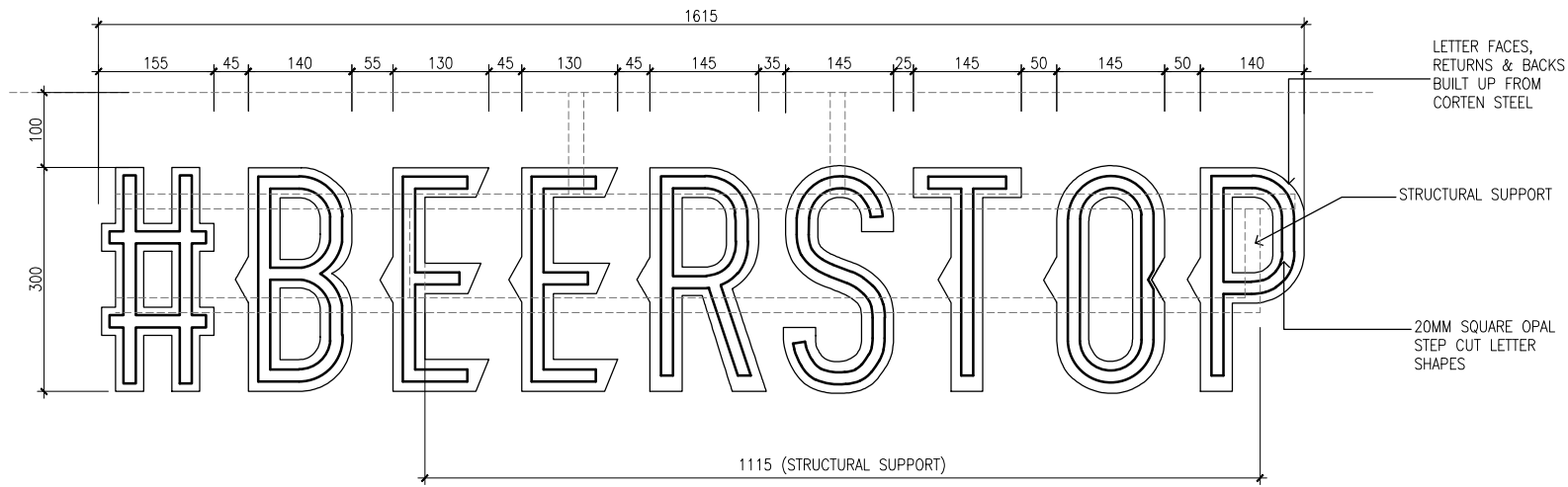
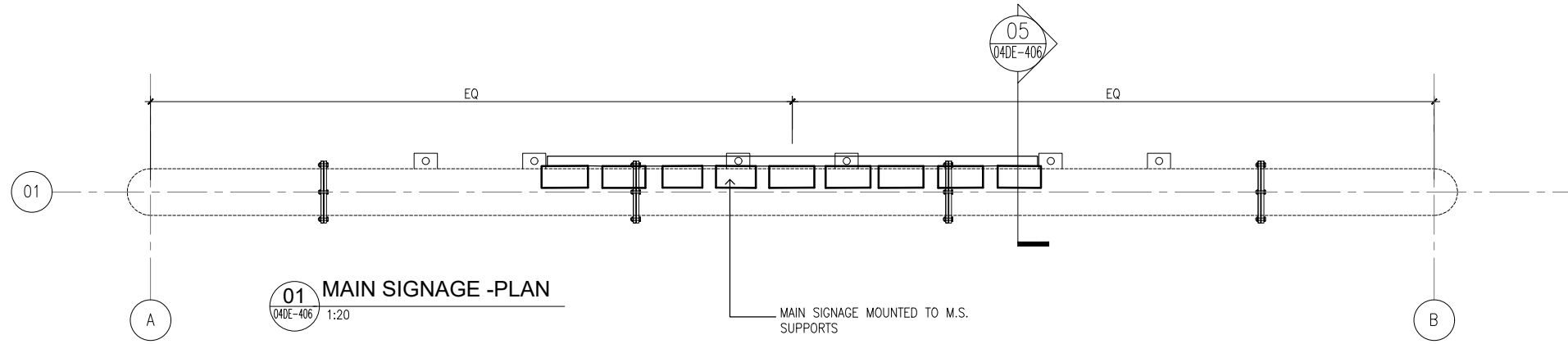
PROJECT  
**BEER STOP  
T2 TERMINAL  
MUMBAI AIRPORT**

DRAWING TITLE  
**PROPOSED M.S FRAMING &  
CONNECTION INTENT**

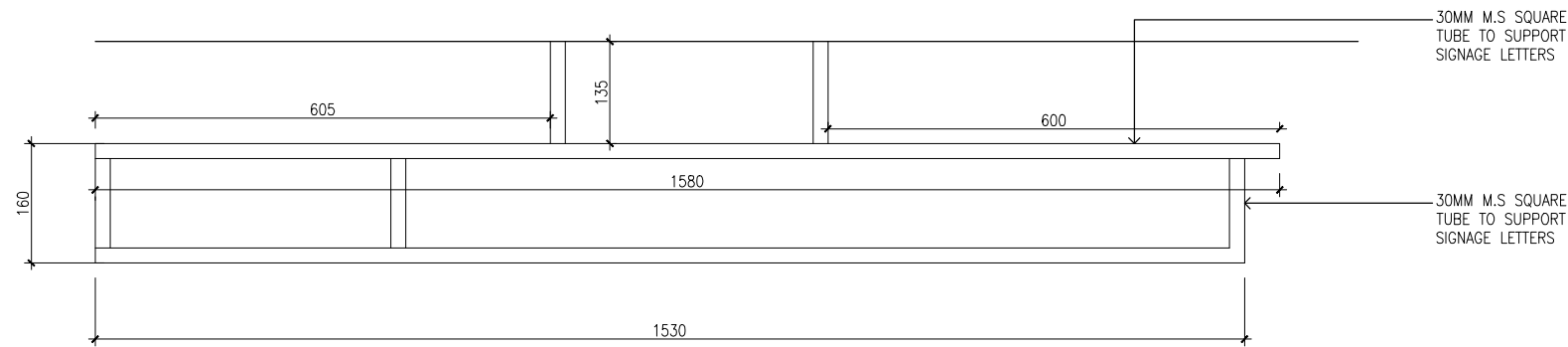
SCALE AS MENTIONED DATE 03/06/20 DRAWN SP A3 SHEET

STATUS  
**CONSTRUCTION**

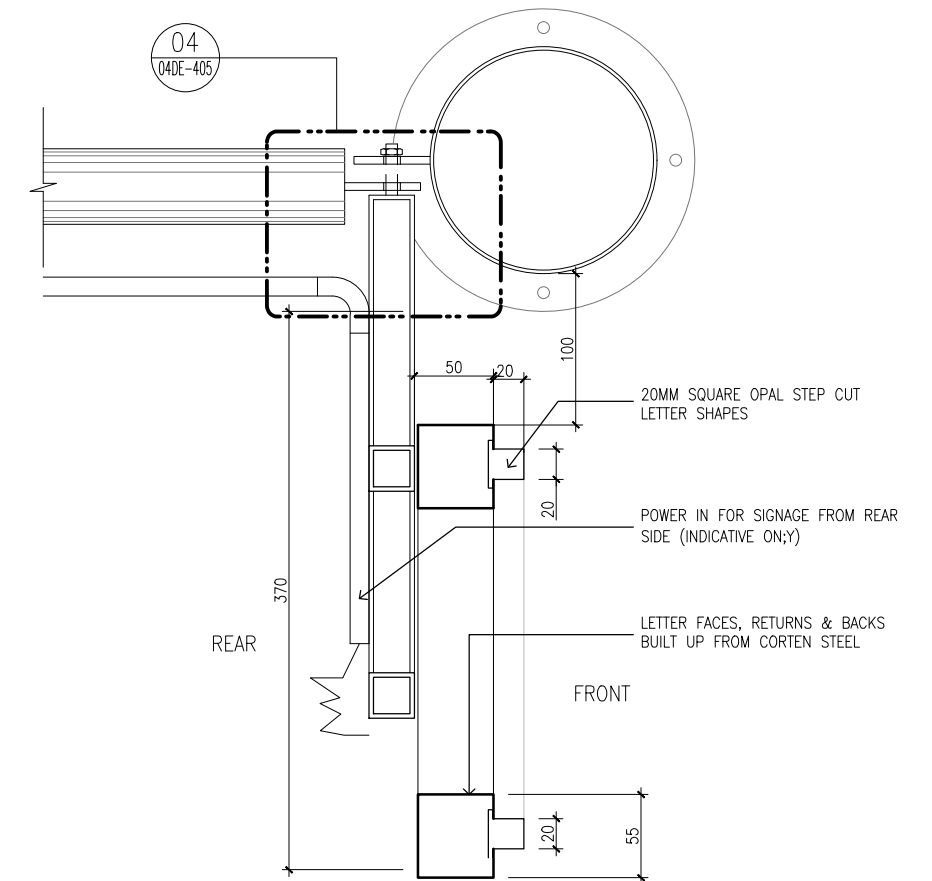
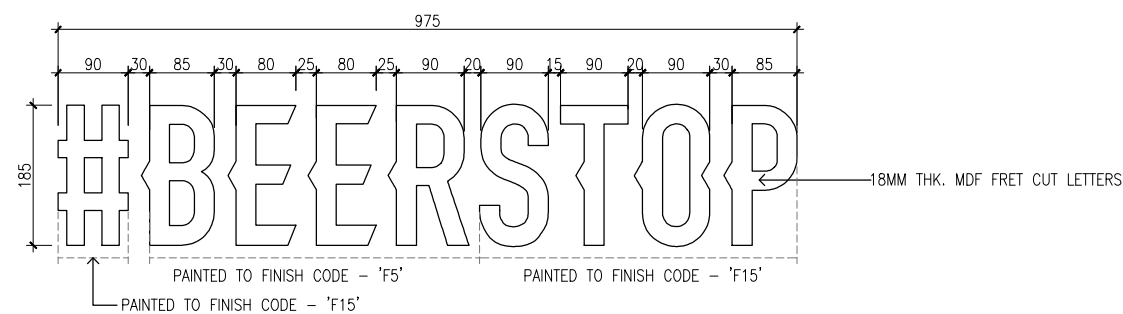
ORG	PROJECT NO	DRAWING TYPE	NUMBER	REV
TFS	1001	04DE	405	C02



02 MAIN SIGNAGE - ELEVATION  
04DE-406 1:20



03 MAIN SIGNAGE - SUPPORT FRAME ELEVATION  
04DE-406 1:20



05 SECTION - 01  
04DE-406 1:20

REV	DATE	DESCRIPTION	DRN	CHK
C03	10.08.20	ISSUED FOR CONSTRUCTION	SP	NM
C02	03.06.20	ISSUED FOR CONSTRUCTION	SP	NM
C01	05.05.20	ISSUED FOR CONSTRUCTION	SP	NM

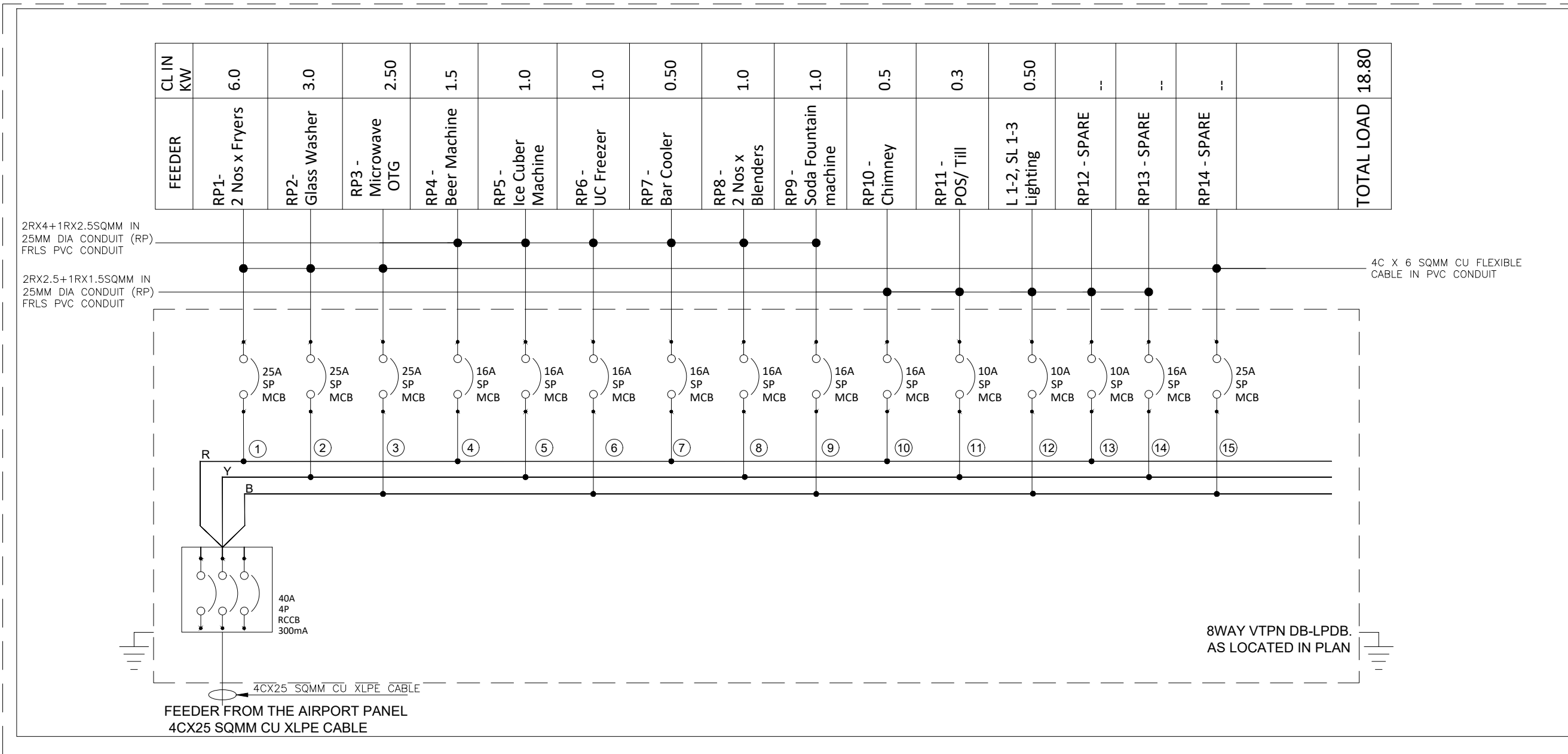


PROJECT  
**BEER STOP**  
**T2 TERMINAL**  
**MUMBAI AIRPORT**

DRAWING TITLE  
**PROPOSED SIGNAGE DETAILS**

SCALE AS MENTIONED DATE 10/08/20 DRAWN SP A3 SHEET

ORG	PROJECT NO	DRAWING TYPE	NUMBER	REV
TFS	1001	04DE	406	C03



REV	DATE	DESCRIPTION	DRN	CHK
C04	10.08.20	ISSUED FOR CONSTRUCTION	SP	NM
C03	22.07.20	ISSUED FOR CONSTRUCTION	SP	NM
C02	03.06.20	ISSUED FOR CONSTRUCTION	SP	NM
C01	05.05.20	ISSUED FOR CONSTRUCTION	SP	NM

#BEERSTOP - ELECTRICAL LOAD SHEET						
SL.NO.	CODE NO./IN SLD	DESCRIPTION	LOAD IN WATTS	QTY	TOTAL LOAD IN kW	REMARKS
<b>A</b>		<b>EQUIPMENT / FIXTURE LEGEND</b>				
1	RP1	Fryers	3000	2	6	
2	RP2	Glass washer	3000	1	3	
3	RP3	Microwave & OTG	2500	1	2.5	
4	RP4	Beer Machine	1500	1	1.5	
5	RP5	Ice Cuber Machine	1000	1	1	
6	RP6	UC Freezer	1000	1	1	
7	RP7	Bar Cooler	500	1	0.5	
8	RP8	Blenders	500	2	1	
9	RP9	Chimney	500	1	0.5	
10	RP10	Soda Fountain Machine	1000	1	1	
11	RP11	POS	300	1	0.3	
		<b>SUB-TOTAL FOR EQUIPMENT LOAD</b>			<b>18.3</b>	
<b>B</b>		<b>GENERAL LIGHTING (Including Signage)</b>			<b>0.5</b>	
		<b>TOTAL CONNECTED LOAD</b>			<b>18.8</b>	<b>kW</b>
		<b>Considering a Diversity Factor 0.75 and PF 0.95 the Max. demand on EB will be</b>			<b>14.84</b>	<b>kVA</b>
		<b>Notes:</b>				
		<b>BUILDER TO PROVIDE A FEEDER OF 100A AS THE TOTAL POWER REQUIREMENT IS 15kVA.</b>				

**NOTES:- GENERAL**

- ALL DIMENSIONS ARE IN MM ONLY.
- ALL ELECTRICAL EQUIPMENTS WILL BE OF APPROVED MAKE & WILL EARTHED.
- ELECTRICAL INSTALLATION WILL BE CARRIED OUT STRICTLY IN ACCORDANCE WITH THE ISI CODE OF PRACTICE FIRE INSURANCE REGULATIONS OF LOCAL AUTHORITIES.
- ONLY GI CONDUITS TO BE USED.
- LIGHTING AND POWER CONDUITS TO BE TAKEN IN SEPARATE CONDUIT.
- COLOR CODING OF WIRES SHALL BE AS BELOW:  
 PHASE(RED) - RED  
 PHASE(BLUE) - BLUE  
 PHASE(YELLOW) - YELLOW  
 NEUTRAL - BLACK  
 GROUND - GREEN
- A DISTANCE OF MINIMUM 300MM TO BE MAINTAINED BETWEEN POWER AND COMMUNICATION CABLE.
- PHASE WILL BE LOOPED FROM SWITCH BOX TO SWITCH BOX.
- MOUNTING HEIGHT MENTIONED ARE FROM BOTTOM OF THE BOX.
- LOCATION OF SWITCHES AND SOCKETS MOUNTING BOXES TO BE CROSS VERIFIED BY ARCHITECTS AND CHECKED BY CONSULTANTS BEFORE FABRICATION / PLASTERING OF WALLS.

**CONSTRUCTIONAL NOTES**

- OPERATING COMPONENTS SHALL NOT BE LESS THAN 450MM AND MORE THAN 1800MMFFL.
- FABRICATION SHALL BE STARTED ON AFTER TAKING APPROVAL OF GA DRAWINGS FROM CONSULTANTS.
- CURRENT DENSITY OF ALLUMINIUM BUS BAR 0.8AMP / SQMM TO BE CONSIDERED.
- CURRENT DENSITY OF COPPER BUS BAR 1.6AMP/SQMM TO BE CONSIDERED.



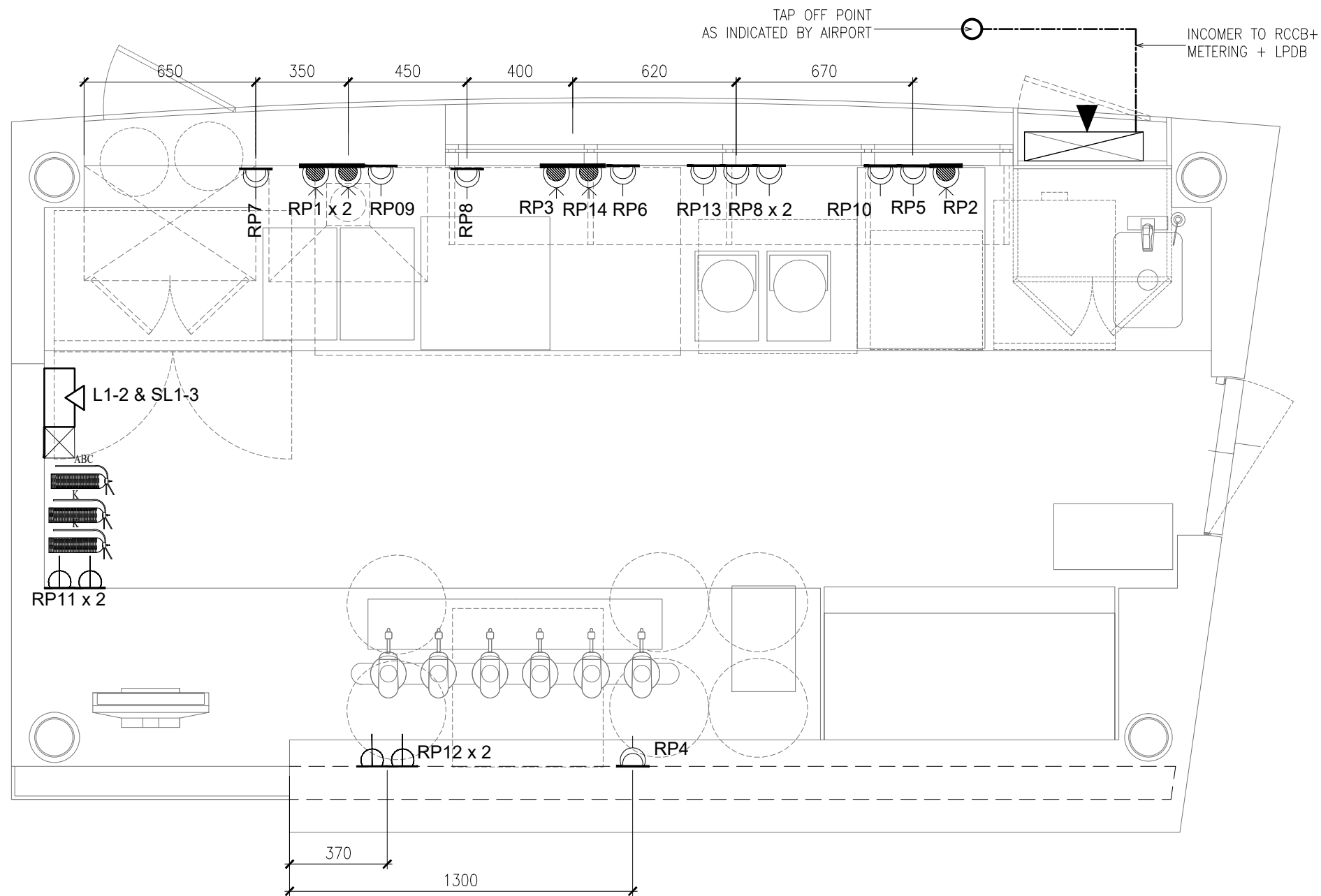
PROJECT  
**BEER STOP  
T2 TERMINAL  
MUMBAI AIRPORT**

DRAWING TITLE  
**SLD**

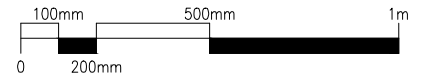
SCALE AS MENTIONED DATE: 10/08/20 DRAWN SP A3 SHEET

STATUS  
**CONSTRUCTION**

ORG PROJECT NO DRAWING TYPE NUMBER REV  
**TFS 1001 05SR 500 C04**



ALL DIMENSIONS MUST BE CHECKED ON SITE  
INFORM THE ARCHITECT OF ANY DISCREPANCIES PRIOR TO CONSTRUCTION



SYMBOL	LEGEND AND ABBREVIATIONS
	LPDB : DISTRIBUTION BOARD (Refer ST-04 detail)
	6/25A SOCKET (WITH/ WITHOUT SWITCH)
	6/16A 3 PIN GENERAL SOCKET (WITH/ WITHOUT SWITCH)
	6A-5 PIN SWITCH-SOCKET OUTLET
	LIGHTING CONTROLS (GENERAL SIGNAGE)
	MODEM JACK OUTLET AT 750mm AFFL
	ABC TYPE - FIRE EXTINGUISHER WITH FLOOR STAND
	K-TYPE - FIRE EXTINGUISHER WITH FLOOR STAND

01 PROPOSED POWER LAYOUT  
05SR-500 1:20

REV	DATE	DESCRIPTION	DRN	CHK
C04	10.08.20	ISSUED FOR CONSTRUCTION	SP	NM
C03	22.07.20	ISSUED FOR CONSTRUCTION	SP	NM
C02	03.06.20	ISSUED FOR CONSTRUCTION	SP	NM
C01	05.05.20	ISSUED FOR CONSTRUCTION	SP	NM



PROJECT  
**BEER STOP  
T2 TERMINAL  
MUMBAI AIRPORT**

DRAWING TITLE  
**PROPOSED POWER LAYOUT**

SCALE AS MENTIONED DATE 10/08/20 DRAWN SP A3 SHEET

STATUS  
**CONSTRUCTION**

ORG PROJECT NO DRAWING TYPE NUMBER REV  
**TFS 1001 05SR 501 C04**

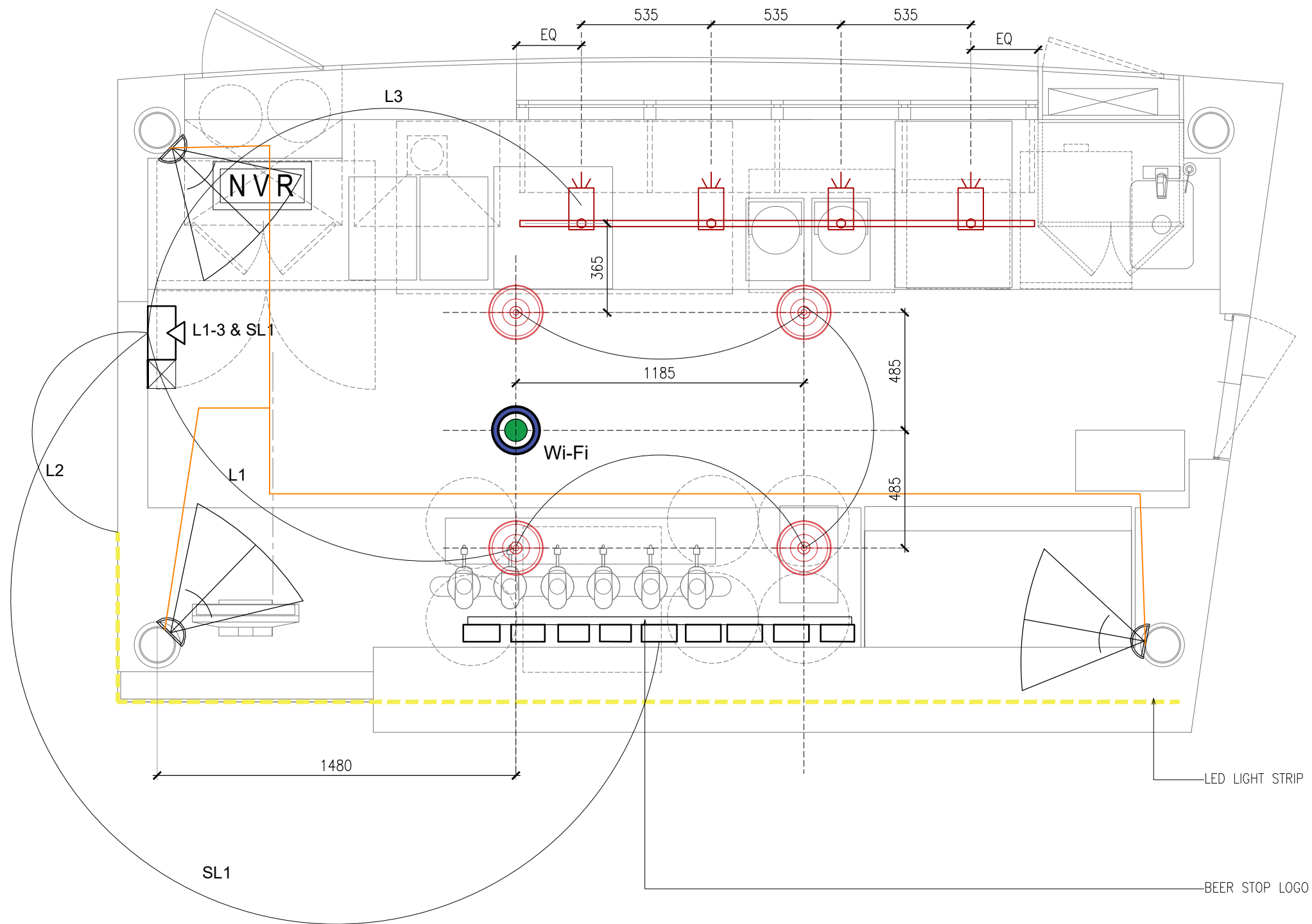
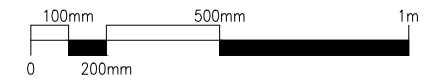
Raw Power Control points							
#	Description	Type	Rating	Socket Fixing		Switch Fixing	
				Fixed to	Vertical Dim	Fixed to	Vertical Dim
RP1	Fryers	Switch+Socket	25A Industrial with MCB	Rear Wall	1100mm	Adjacent to Socket	
RP2	Glass washer	Switch+Socket	25A Industrial with MCB	Inside C-B-03	750mm	Rear Wall	1100mm
RP3	Microwave OTG	Switch+Socket	25A Industrial with MCB	Rear Wall	1100mm	Adjacent to Socket	
RP4	Beer Machine	Switch+Socket	16A	Inside C-B-02	700mm	Front low height wall	900 mm
RP5	Ice Cuber Machine	Socket Only	16A	Inside C-B-03	750mm	NA	
RP6	UC Freezer	Socket Only	16A	Inside C-B-04	750mm	NA	
RP7	Bar Cooler	Socket Only	16A	Inside C-B-04	750mm	NA	
RP8	Blenders	Switch+Socket	16A	Rear Wall	1100mm	Adjacent to Socket	
RP9	Chimney	Switch+Socket	16A	Rear Wall	2100mm	Rear Wall	1100mm
RP10	Soda Fountain machine	Switch+Socket	16A	Rear Wall	1100mm	Adjacent to Socket	
RP11	POS / DVR	Switch+Socket	5A	Side Low-ht wall	750mm	Adjacent to Socket	
RP12	Spare	Switch+Socket	5A	Front Low-ht wall	900mm	Adjacent to Socket	
RP13	Spare	Switch+Socket	16A	Rear Wall	1100mm	Adjacent to Socket	
RP14	Spare	Switch+Socket	25A Industrial with MCB	Rear Wall	1100mm	Adjacent to Socket	

Wherever only Socket has been indicated, the controls are linked to the main DB  
Vertical dimensions indicated are from False Floor/Unit floor top

#	Description	Fixed to	Vertical Dim
LPDB	RCCB+Distribution Board & Metering	Inside of ST-01	1700

Vertical dimensions indicated are from False Floor/Unit floor top  
LPDB design by Specialist electrical vendor

ALL DIMENSIONS MUST BE CHECKED ON SITE  
INFORM THE ARCHITECT OF ANY DISCREPANCIES PRIOR TO CONSTRUCTION



SYMBOL	LEGEND AND ABBREVIATIONS
	LIGHTING CONTROLS (GENERAL SIGNAGE)
	MODEM JACK OUTLET AT 750mm AFFL
	FIXED WIRELESS I.P. CAMERA (SUSPENDED FROM CEILING METAL FRAME)
	WiFi ROUTER (SUSPENDED FROM CEILING METAL FRAME)
	CEILING SUSPENDED LIGHT FIXTURES (40W LED EDISON BULBS) WITH DIMMABLE CONTROLS
	CEILING SUSPENDED TRACK LIGHT (10W)
	DVR/ NVR-8-CHANNEL (INSIDE STORAGE ST-01)

NOTE : FINAL POSITION/ HEIGHT OF CCTV CAMERA TO BE FIXED AT SITE BASED ON VISIBILITY

REV	DATE	DESCRIPTION	DRN	CHK
C03	10.08.20	ISSUED FOR CONSTRUCTION	SP	NM
C02	03.06.20	ISSUED FOR CONSTRUCTION	SP	NM
C01	05.05.20	ISSUED FOR CONSTRUCTION	SP	NM



01 PROPOSED LOCATION OF LIGHTING , CCTV & WIFI  
05SR-501 1:20

Lighting Control points			
#	Description	Fixed to	Vertical Dim
L1	Ceiling Lighting with Dimmable Controls	Side Low-ht wall	750mm
L2	LED Strip Lighting (Front Façade)		
L3	Adjustable Grid Light/ Spot-Light		
SL-1	Beerstop Signage (Front)		

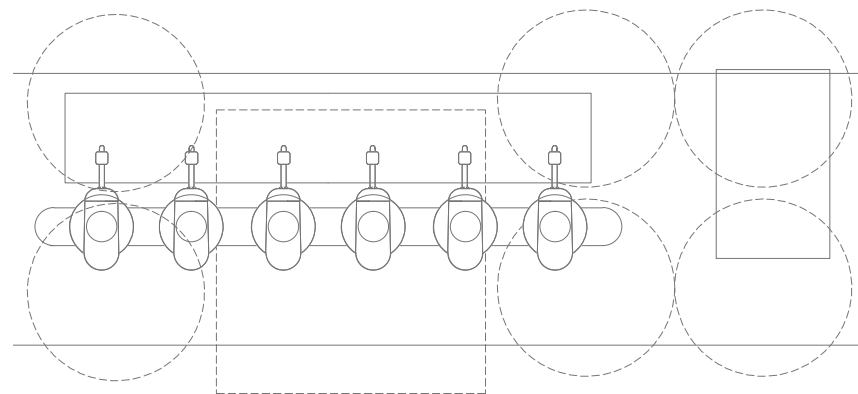
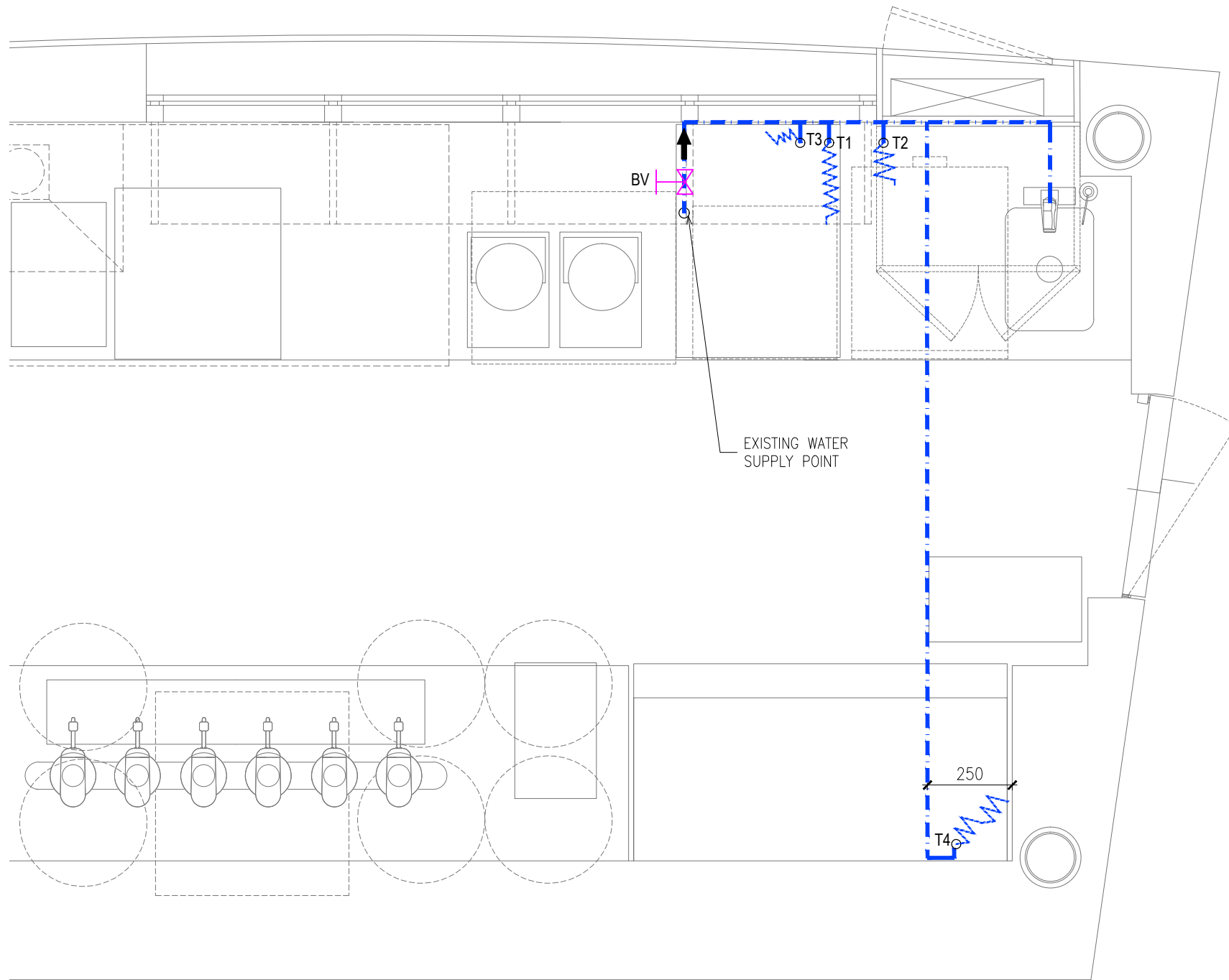
Vertical dimensions indicated are from False Floor/Unit floor top

PROJECT  
BEER STOP  
T2 TERMINAL  
MUMBAI AIRPORT

DRAWING TITLE  
PROPOSED LIGHTING LAYOUT  
CCTV & WiFi

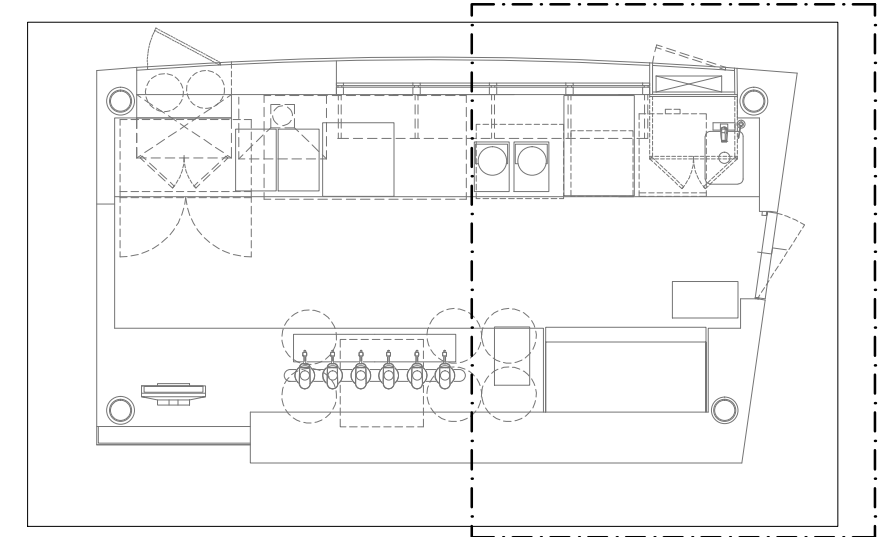
SCALE AS MENTIONED DATE: 10/08/20 DRAWN SP A3 SHEET

STATUS  
CONSTRUCTION  
ORG PROJECT NO DRAWING TYPE NUMBER REV  
TFS 1001 05SR 502 C03



**01** PROPOSED PLUMBING LAYOUT  
05SR-502 1:20

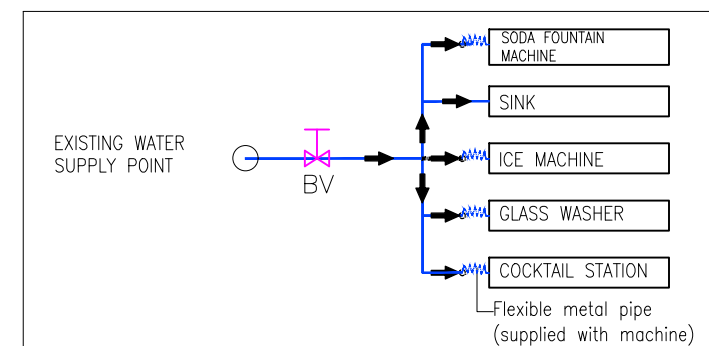
PLUMBING & DRAINAGE ZONE



KEY PLAN

LEGEND

	25 $\phi$ MM CPVC SDR – COLD/ DOMESTIC WATER SUPPLY
	BV BALL VALVE
	15-25 $\phi$ FLEXIBLE METAL PIPE (SUPPLIED WITH EQUIPMENT)
T1	TAP-OFF FOR ICE MACHINE
T2	TAP-OFF FOR GLASS WASHER
T3	TAP-OFF FOR SODA FOUNTAIN MACHINE



PLUMBING SCHEMATIC

REV	DATE	DESCRIPTION	DRN	CHK
C03	10.08.20	ISSUED FOR CONSTRUCTION	SP	NM
C02	03.06.20	ISSUED FOR CONSTRUCTION	SP	NM
C01	05.05.20	ISSUED FOR CONSTRUCTION	SP	NM



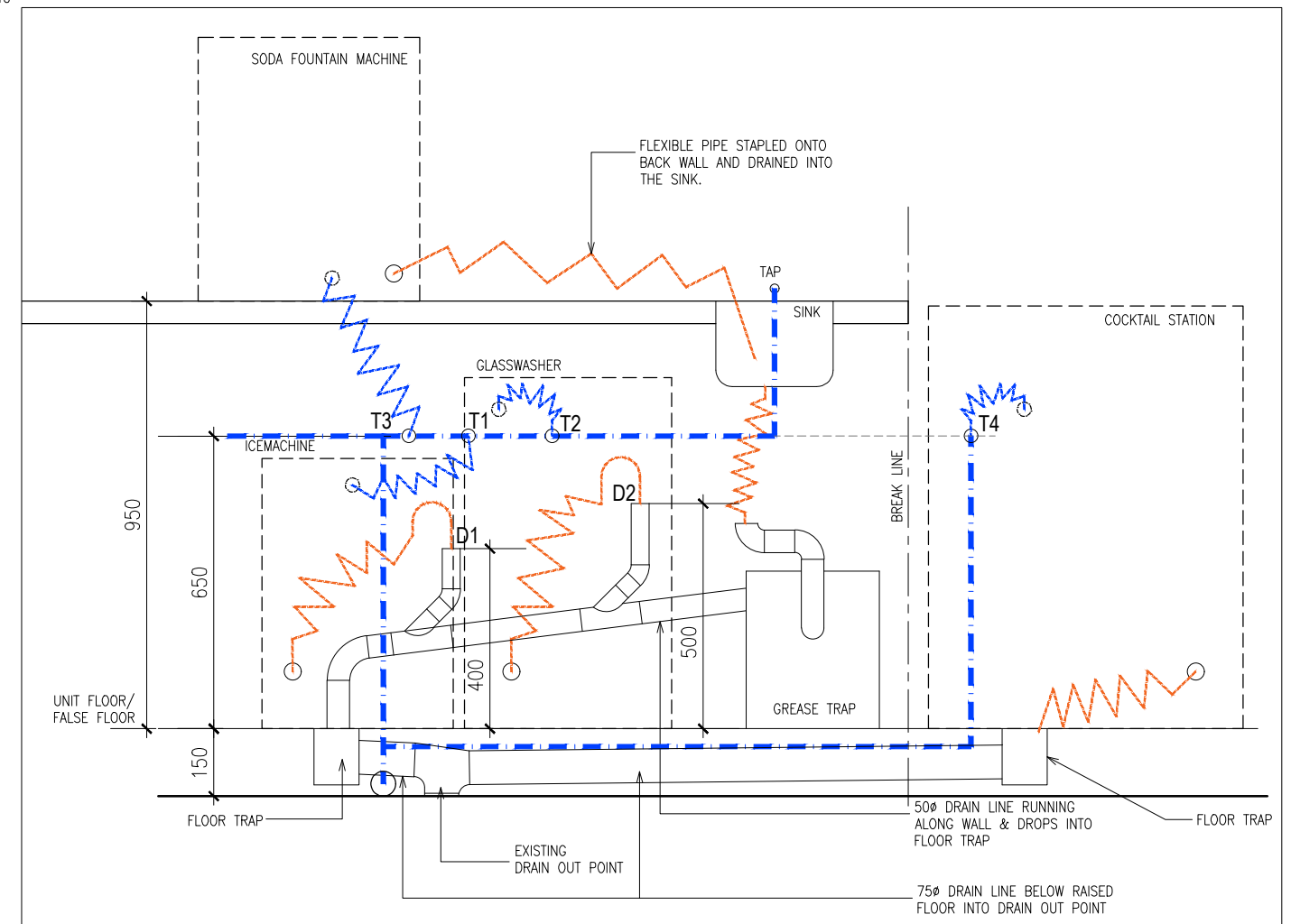
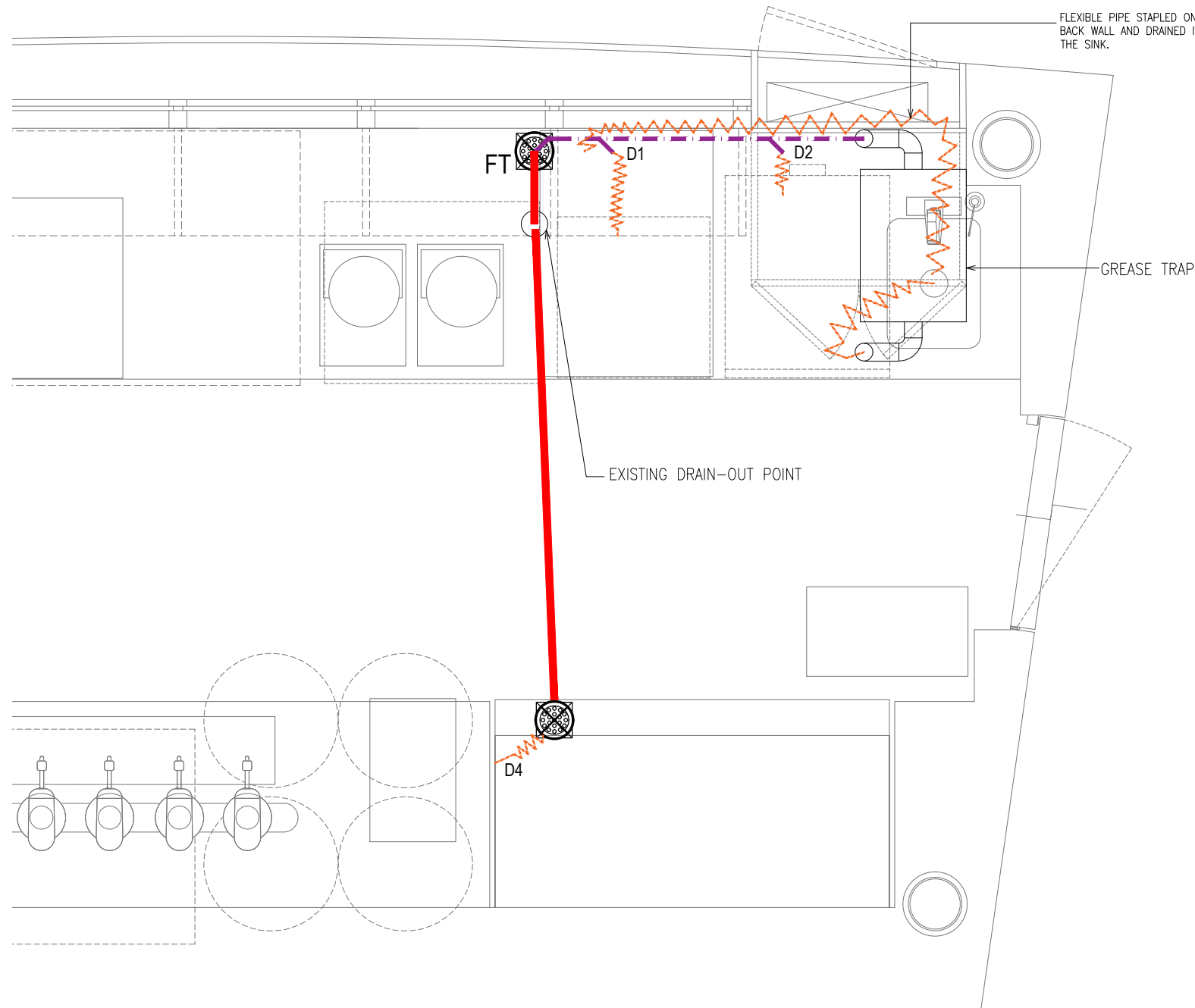
PROJECT  
**BEER STOP  
T2 TERMINAL  
MUMBAI AIRPORT**

DRAWING TITLE  
**PROPOSED PLUMBING LAYOUT**

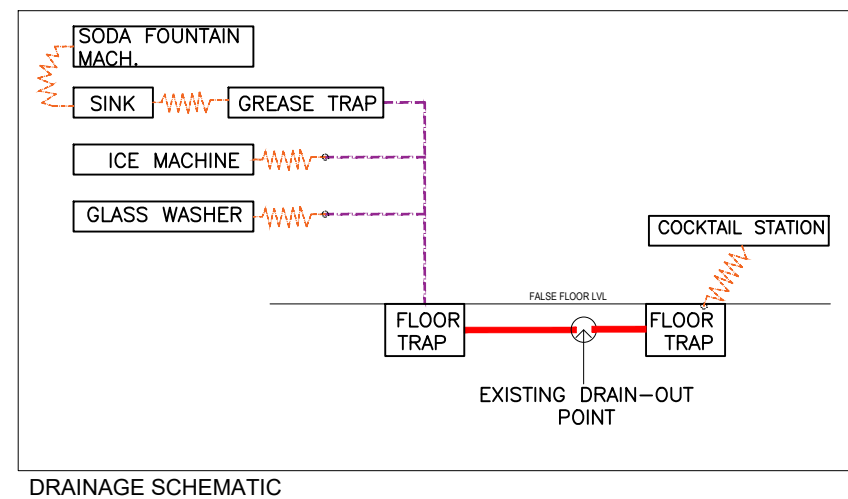
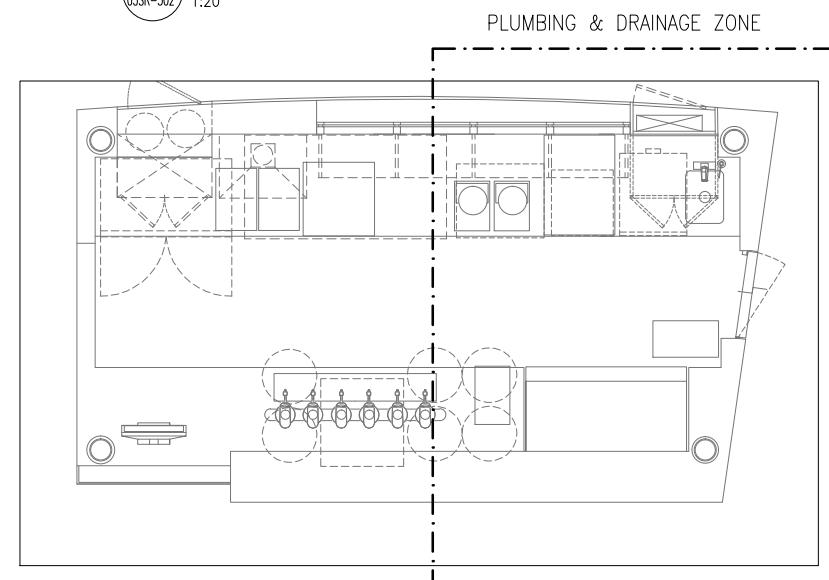
SCALE AS MENTIONED DATE 10/08/20 DRAWN SP A3 SHEET

STATUS  
**CONSTRUCTION**

ORG	PROJECT NO	DRAWING TYPE	NUMBER	REV
TFS	1001	05SR	504	C03



**02 PROPOSED DRAINAGE LAYOUT**  
05SR-502 1:20



SYMBOL	DESCRIPTION
	FLOOR TRAP
	75ø WASTE PIPE RUNNING (@ SLOPE 1:75) WITHIN RAISED FLOOR
	50ø DRAIN LINE RUNNING ALONG WALL & DROPS INTO FLOOR TRAP
	25-45ø FLEXIBLE WASTE PIPE
D1	DRAIN FROM ICE MACHINE
D2	DRAIN FROM GLASS WASHER
	25ø MM CPVC SDR - COLD/ DOMESTIC WATER SUPPLY
	BV BALL VALVE
	15-25ø FLEXIBLE METAL PIPE (SUPPLIED WITH EQUIPMENT)
T1	TAP-OFF FOR ICE MACHINE
T2	TAP-OFF FOR GLASS WASHER

REV	DATE	DESCRIPTION	DRN	CHK
C03	10.08.20	ISSUED FOR CONSTRUCTION	SP	NM
C02	03.06.20	ISSUED FOR CONSTRUCTION	SP	NM
C01	05.05.20	ISSUED FOR CONSTRUCTION	SP	NM



PROJECT  
**BEER STOP  
T2 TERMINAL  
MUMBAI AIRPORT**

DRAWING TITLE  
**PROPOSED DRAINAGE LAYOUT**

SCALE AS MENTIONED DATE 10/08/20 DRAWN SP A3 SHEET

STATUS  
**CONSTRUCTION**

ORG	PROJECT NO	DRAWING TYPE	NUMBER	REV
TFS	1001	05SR	505	C03