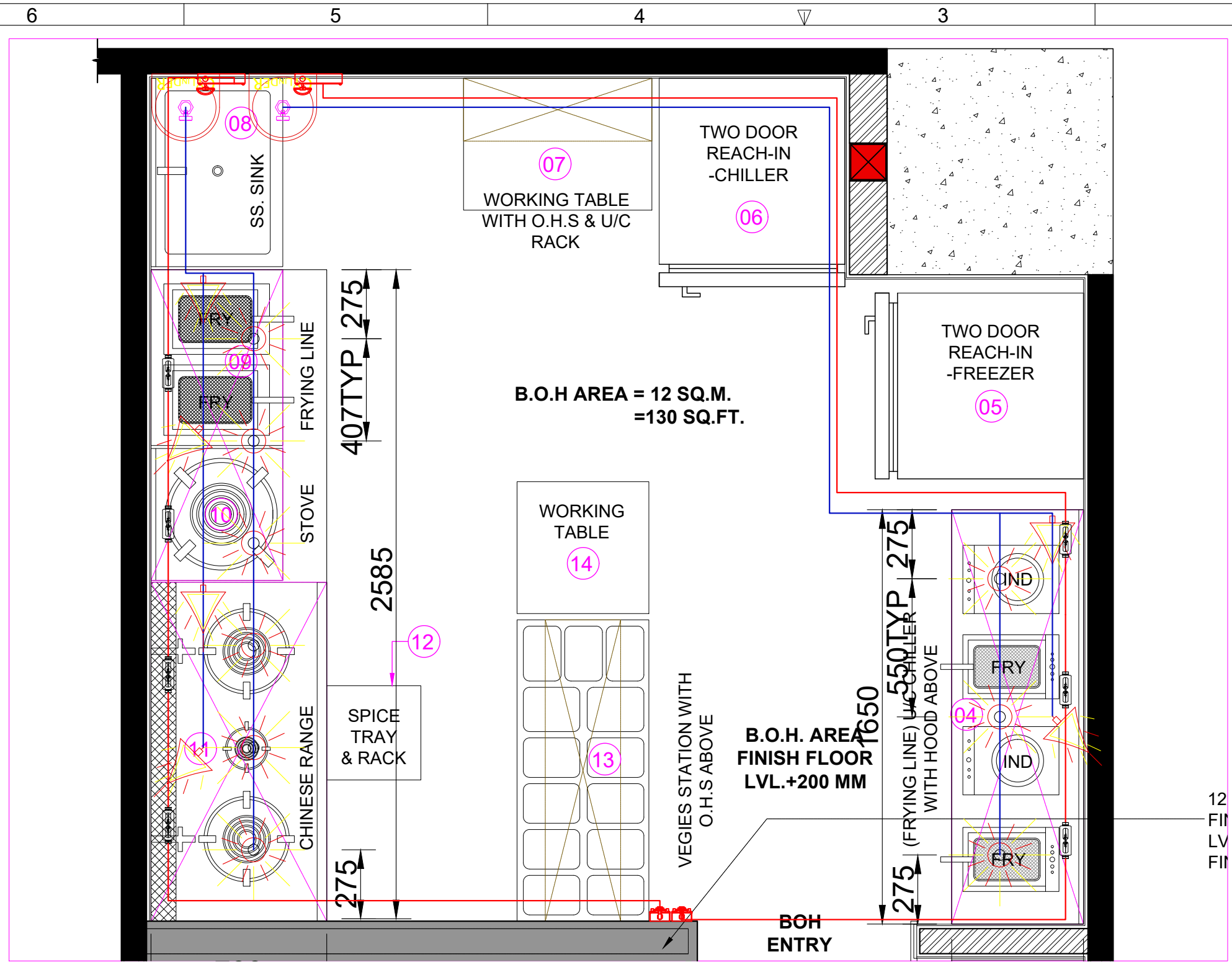
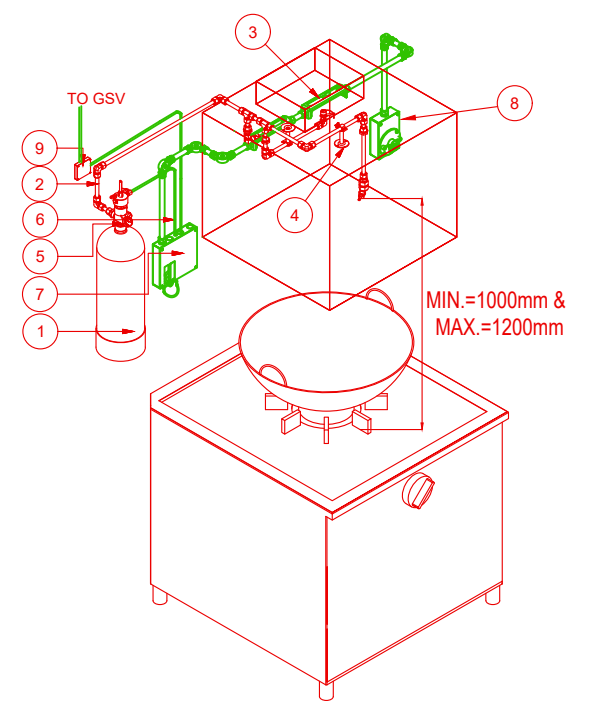


THIS DOCUMENT IS THE PROPERTY OF COMPANY IT SHALL NOT BE COPIED, DISCLOSED, REPRODUCED OR TRANSMITTED ANY THIRD PARTY WITHOUT THE PERMISSION IN WRITING FROM THE COMPANY AUTHORITY  
 UNLESS OTHERWISE SPECIFIED, GENERAL TOLERANCES FOR DIMENSIONS, FORM & POSITION (Ref. ISO-2768).



LEGEND FOR KITCHEN FIRE SUPPRESSION	
SYMBOL	TITLE
	ACTIVATION PANEL
	CHEMICAL CYLINDER
	MANUAL PULL STATION
	NOZZLE
	12.7 Dia, 1.5 t. S.S. PIPE. Mtr
	FUSIBLE LINK

PART LIST	
NO	SPECIFICATION/ MODEL
1	CYLINDER WITH VALVE ASSEMBLY
2	PIPING ASSEMBLY
3	FUSIBLE LINK ASSEMBLY
4	PIPE CLAMP 12.7 Dia TUBE
5	PRESSURE GAUGE
6	CONNECTION HOSE
7	ACTUATION PANEL
8	MANUAL PULL STATION
9	ACTIVATION RELAY PANEL



**NOTE :**  
 ELECTRICAL POWER AC220V, 2.5AMPS UPS SUPPLY SWITCH AND PLUG AROUND 1MTRS REQUIRED NEAR THE ACTIVATION PANEL SHOWN IN THE LAYOUT.

**SWASTIK SYNERGY ENGINEERING. PVT .LTD.**  
 302, Business Suites 9, S. V. Road,  
 Santacruz (W.), Mumbai - 54.

[www.swastiksynergy.com](http://www.swastiksynergy.com)  
[ho@swastiksynergy.com](mailto:ho@swastiksynergy.com)  
 Tel. No - 022 67550111  
 022 67550112

QTY : - Nos		TITLE :- <b>KITCHEN FIRE SUPPRESSION SYSTEM</b>	
REV : 00		WOW MOMO & WOW CHINA AHMEDABAD AIRPORT	
DRAWN : S.D.T	21-12-2023	DWG NO : SSE-KF-2312-WMWC-AA-01	
CHECKED : V.M.S.		DO NOT SCALE	ALL DIMENSION ARE IN mm
APPROVED: M.D.S.			SHEET : 1/1

A3