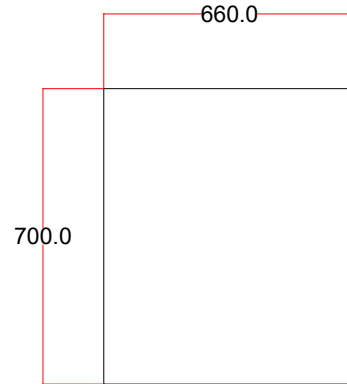


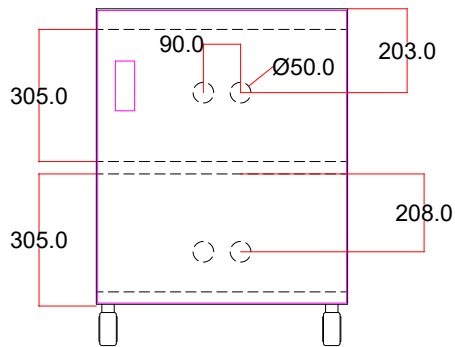
Overall Dimension
660 x 700 x 850 ht
(W x D x H in mm)

DWG NO - 1

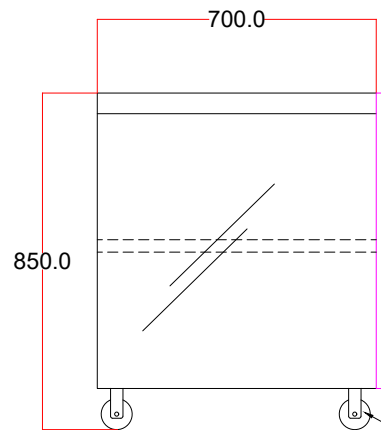
NOTE
Size not same as BOQ



Top View



Front View

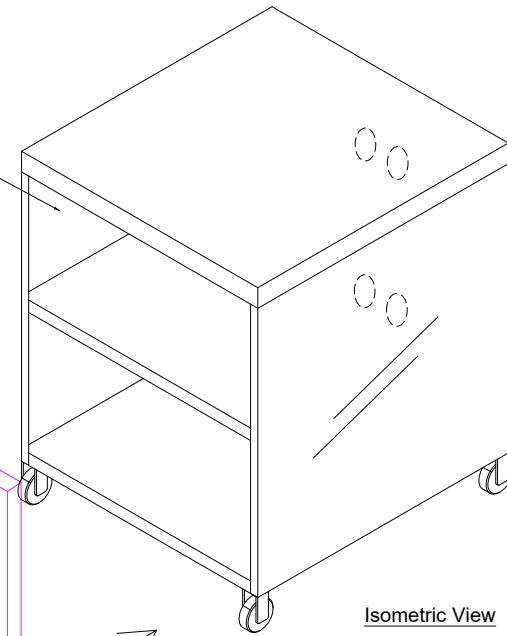


Side View

1"+3" wheel

Door

3 Side Covering



Isometric View

01	23/11/2023	PRELIMINARY FOR APPROVAL			ANUJ
REV	DATE	DESCRIPTION			APP..

SteelCraft
FOODSERVICEEQUIPMENTS

This drawing and the information contained therein are the exclusive property of STEELCRAFT (P) LTD. and may not be Copied or communicated to a third party without its written consent.

PROJECT NAME : WOW Momo
(CUSTOMER)

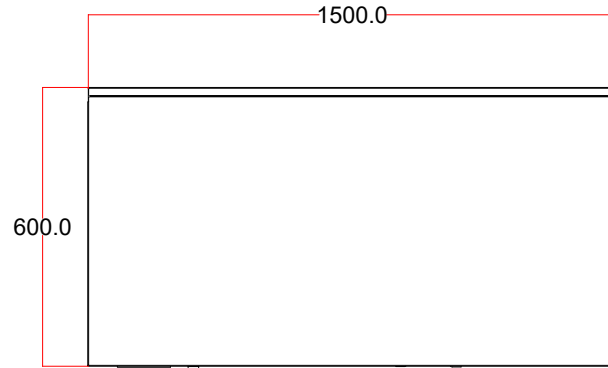
TITLE : Pepsi Machine

SCALE	PROJ. No.	DRAWING NUMBER	DATE	SHEET No.	REVISION

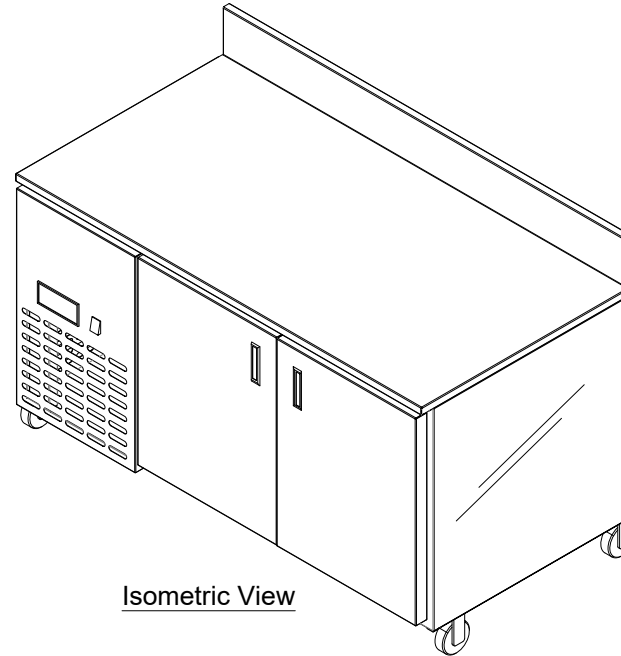
Overall Dimension
1500 x 600 x 850+150 ht
(W x D x H in mm)

DWG NO - 2

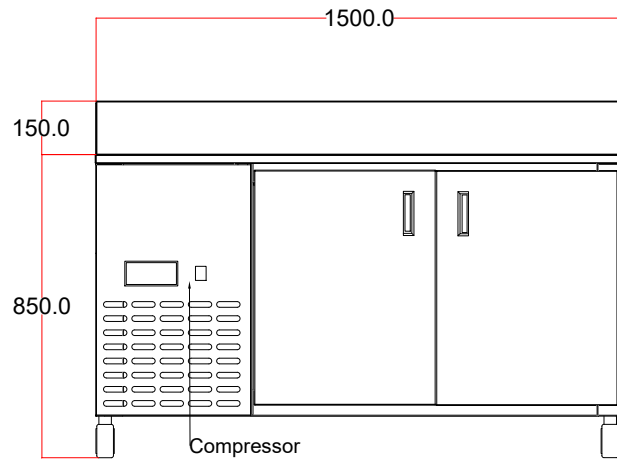
NOTE
Size not same as BOQ



Top View

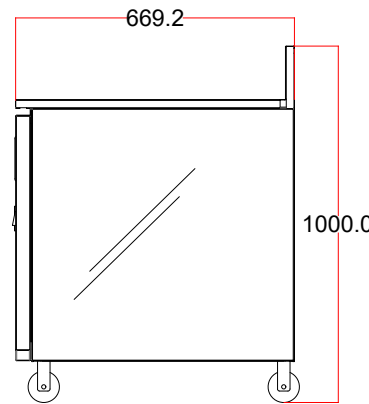


Isometric View



Compressor Area

Front View



Side View

01	23/11/2023	PRELIMINARY FOR APPROVAL			ANUJ
REV	DATE	DESCRIPTION			APP..



This drawing and the information contained therein are the exclusive property of STEELCRAFT (P) LTD. and may not be Copied or communicated to a third party without its written consent.

PROJECT NAME : WOW Momo
(CUSTOMER)

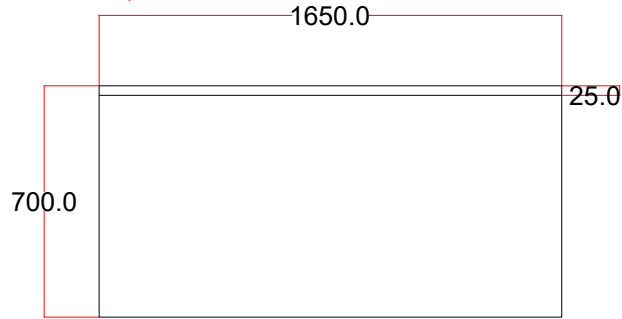
TITLE : Working table with U/C chiller

SCALE	PROJ. No.	DRAWING NUMBER	DATE	SHEET No.	REVISION
NTS					

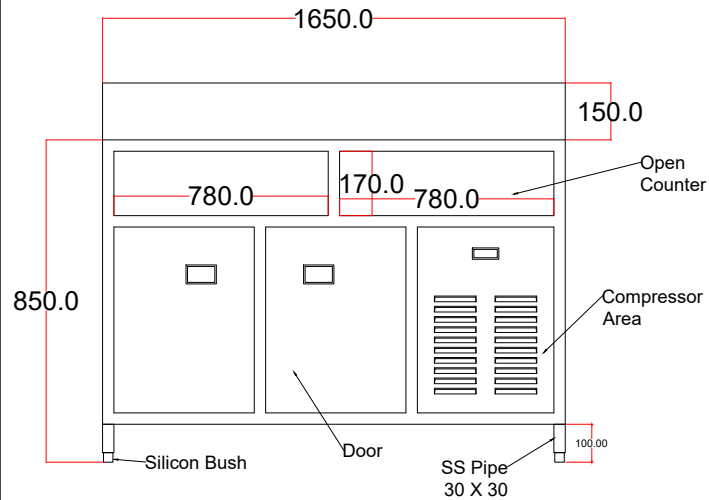
Overall Dimension
1650 x 700 x 850+150 ht
(W x D x H in mm)

DWG NO - 04

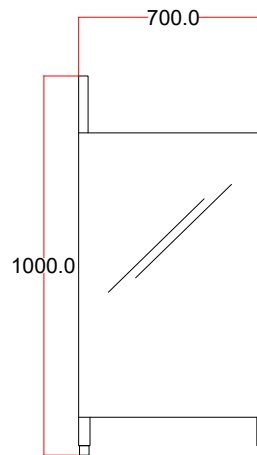
NOTE
Size not same as BOQ



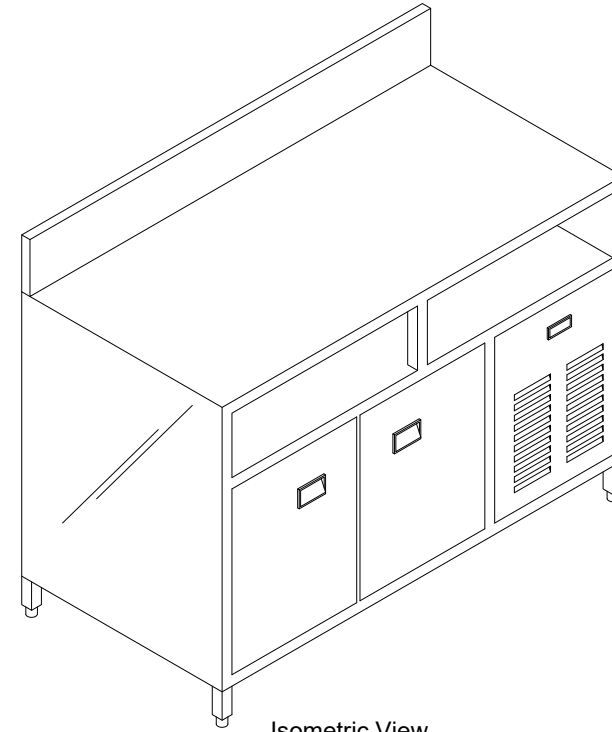
Top View



Front View



Side View



Isometric View

01	23/11/2023	PRELIMINARY FOR APPROVAL			ANUJ
REV	DATE	DESCRIPTION			APP..

SteelCraft
FOODSERVICEEQUIPMENTS

This drawing and the information contained therein are the exclusive property of STEELCRAFT (P) LTD. and may not be Copied or communicated to a third party without its written consent.

PROJECT NAME : WOW China
(CUSTOMER)

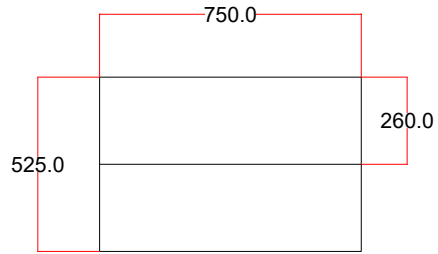
TITLE : Frying Table With u/c Chiller

SCALE	PROJ. No.	DRAWING NUMBER	DATE	SHEET No.	REVISION
NTS					

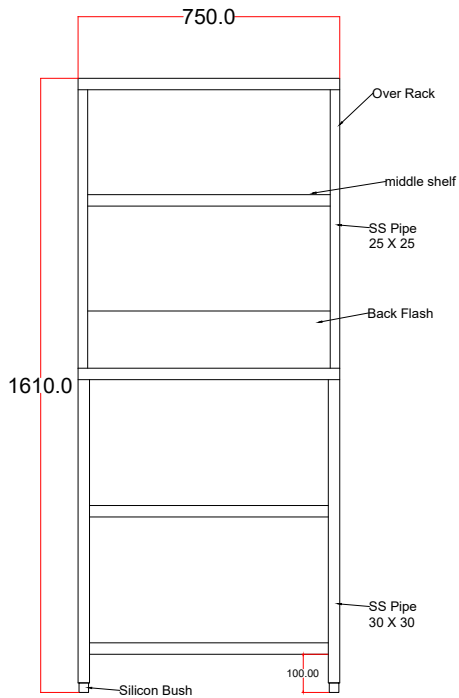
Overall Dimension
750 x 525 x 850+760 ht
(W x D x H in mm)

DWG NO - 07

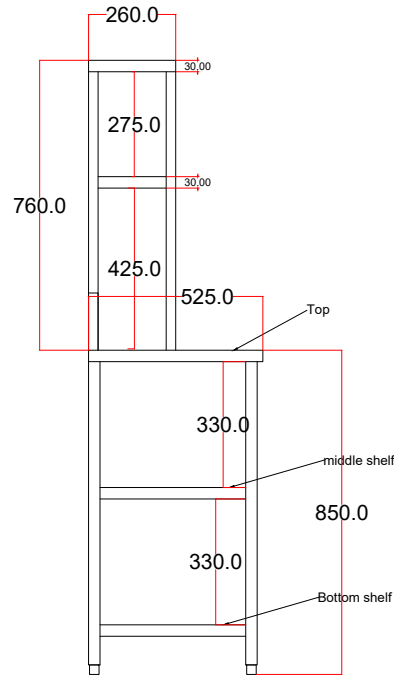
NOTE
Size same as BOQ



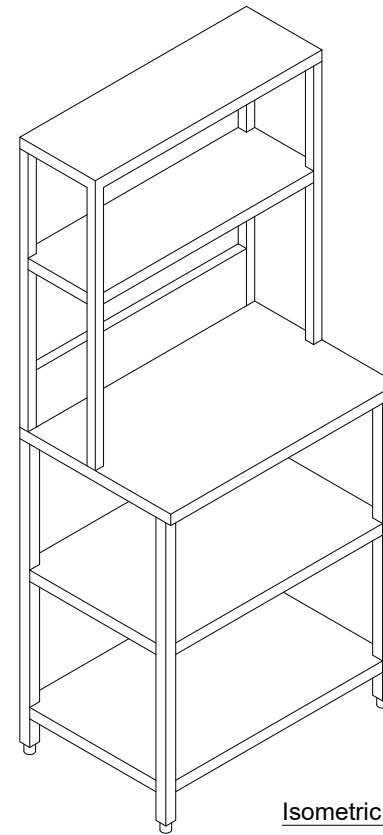
Top View



Front View



Side View



Isometric View

01	23/11/2023	PRELIMINARY FOR APPROVAL			ANLJ
REV	DATE	DESCRIPTION			APP.

SteelCraft
FOODSERVICEEQUIPMENTS

This drawing and the information contained therein are the exclusive property of STEELCRAFT (P) LTD. and may not be Copied or communicated to a third party without its written consent.

PROJECT NAME :
(CUSTOMER) WOW Momo

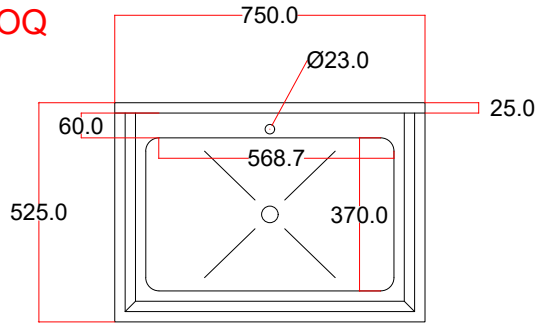
TITLE : Working Table with u/c shelf and O.h.s Rack

SCALE	PROJ. No.	DRAWING NUMBER	DATE	SHEET No.	REVISION
NTS					

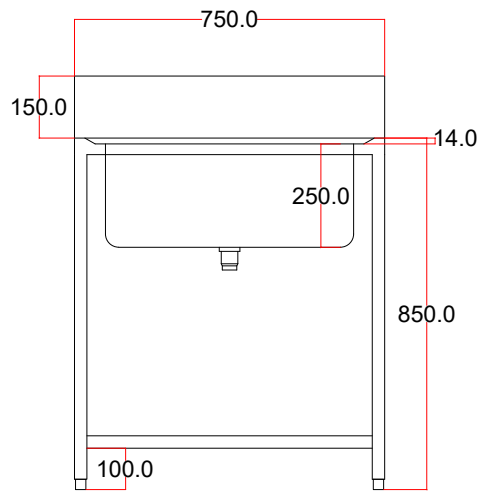
Overall Dimension
750 x 525 x 850+150 ht
(W x D x H in mm)

DWG NO - 08

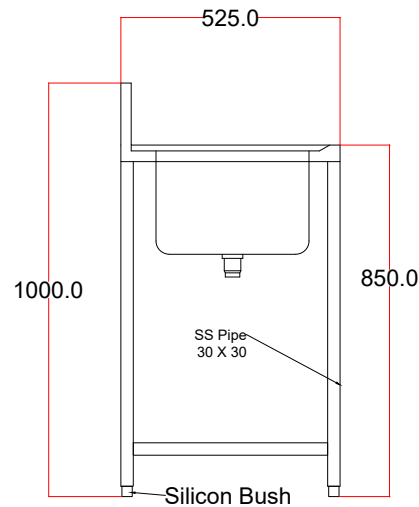
NOTE
Size same as BOQ



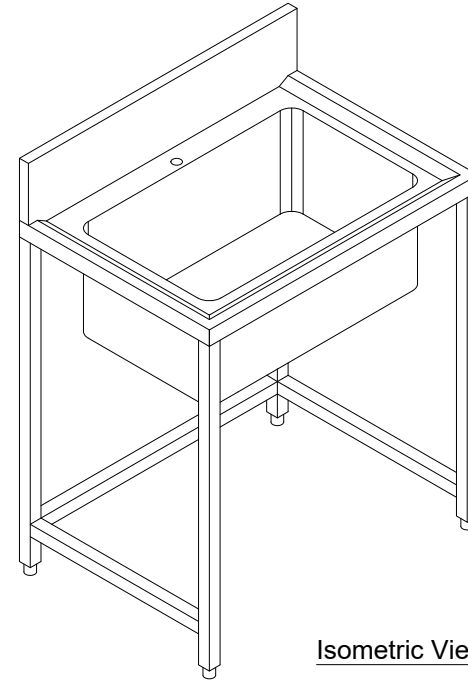
Top View



Front View



Side View



Isometric View

01	23/11/2023	PRELIMINARY FOR APPROVAL			ANUJ
REV	DATE	DESCRIPTION			APP..

SteelCraft
FOODSERVICEEQUIPMENTS

This drawing and the information contained therein are the exclusive property of STEELCRAFT (P) LTD. and may not be Copied or communicated to a third party without its written consent.

PROJECT NAME : WOW Momo
(CUSTOMER)

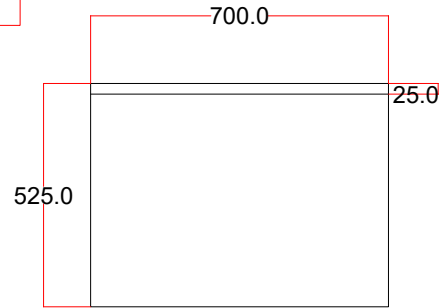
TITLE : SS Sink unit

SCALE	PROJ. No.	DRAWING NUMBER	DATE	SHEET No.	REVISION
NTS					

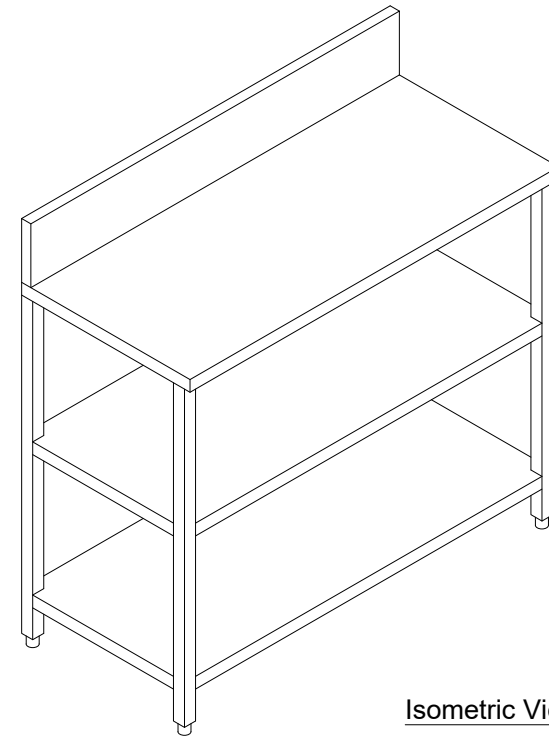
Overall Dimension
700 x 525 x 850+150 ht
(W x D x H in mm)

DWG NO - 09

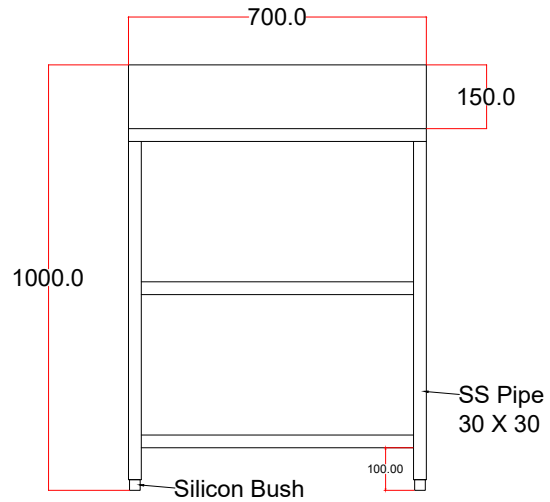
NOTE
Size same as BOQ



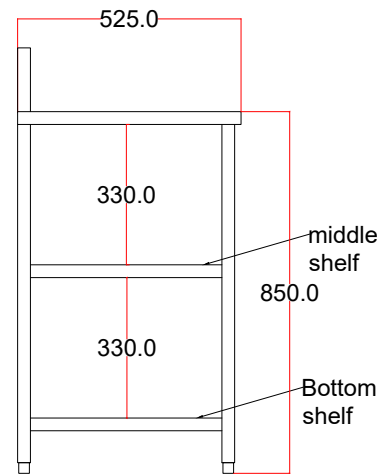
Top View



Isometric View



Front View



Side View

01	23/11/2023	PRELIMINARY FOR APPROVAL			ANJJ
REV	DATE	DESCRIPTION			APP..

SteelCraft
FOODSERVICEEQUIPMENTS

This drawing and the information contained therein are the exclusive property of STEELCRAFT (P) LTD. and may not be Copied or communicated to a third party without its written consent.

PROJECT NAME : WOW Momo
(CUSTOMER)

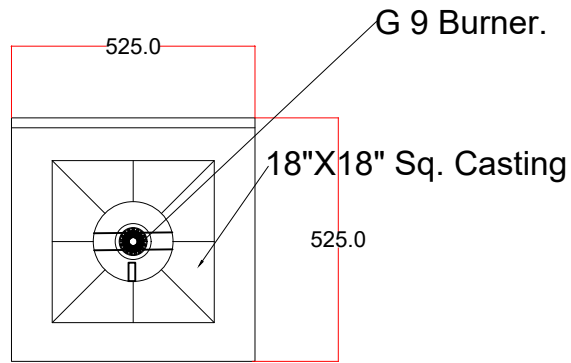
TITLE : Working table

SCALE	PROJ. No.	DRAWING NUMBER	DATE	SHEET No.	REVISION
NTS					

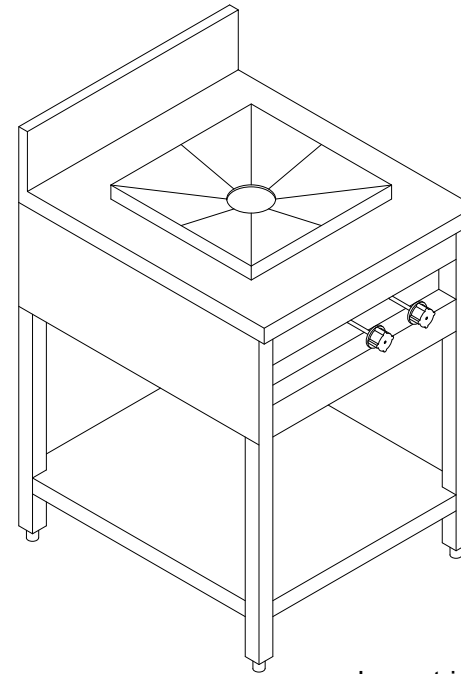
Overall Dimension
525 x 525 x 850+150 ht
(W x D x H in mm)

DWG NO - 10

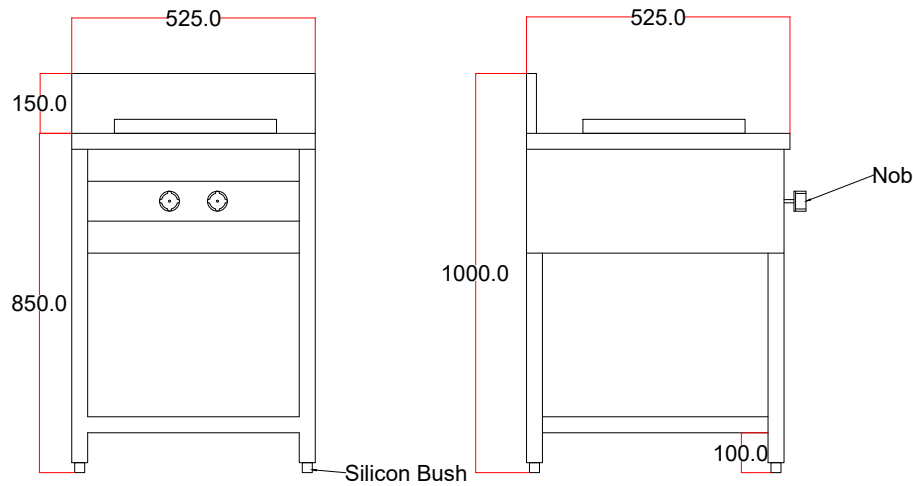
NOTE
Size same as BOQ



Top View



Isometric View



Front View

Side View

01	23/11/2023	PRELIMINARY FOR APPROVAL			ANUJ
REV	DATE	DESCRIPTION			APP..

SteelCraft
FOODSERVICEEQUIPMENTS

This drawing and the information contained therein are the exclusive property of STEELCRAFT (P) LTD. and may not be Copied or communicated to a third party without its written consent.

PROJECT NAME :
(CUSTOMER) WOW China

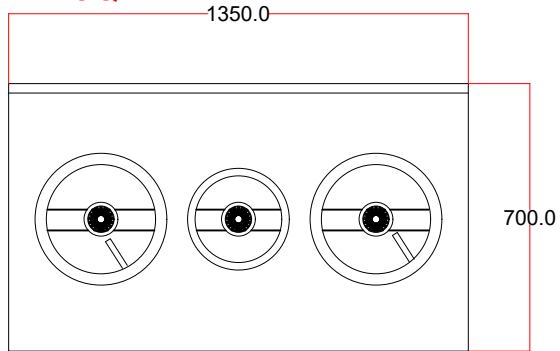
TITLE : Single burner Indian

SCALE	PROJ. No.	DRAWING NUMBER	DATE	SHEET No.	REVISION
NTS					

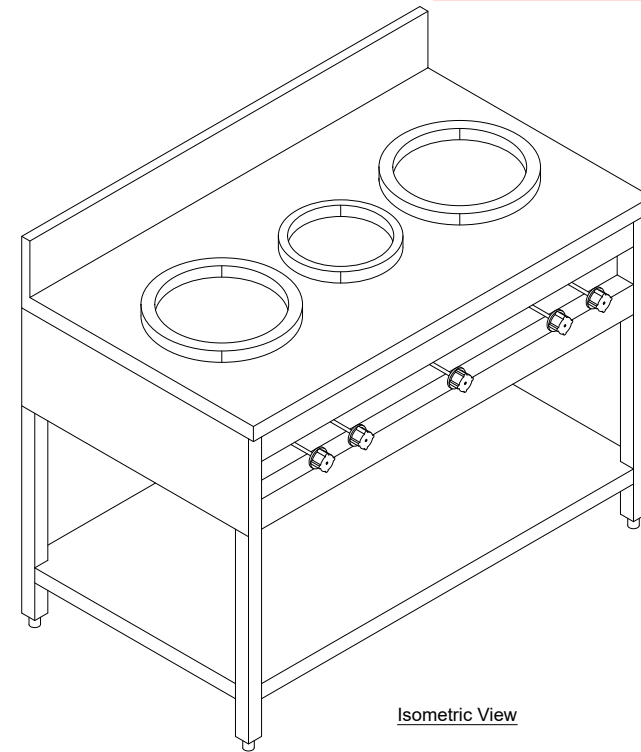
Overall Dimension
1350 x 700 x 850+150 ht
(W x D x H in mm)

DWG NO - 11

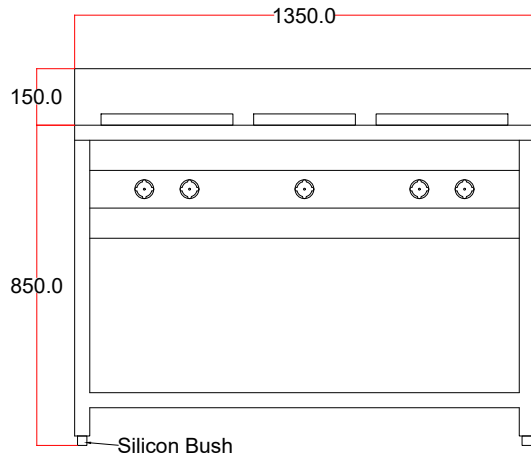
NOTE
Size same as BOQ



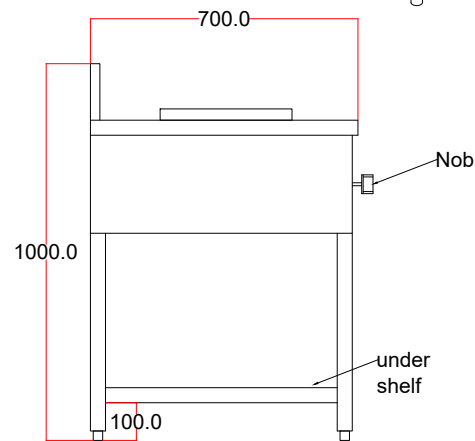
Top View



Isometric View



Front View



Side View

01	23/11/2023	PRELIMINARY FOR APPROVAL			ANUJ
REV	DATE	DESCRIPTION			APP..

SteelCraft
FOODSERVICEEQUIPMENTS

This drawing and the information contained therein are the exclusive property of STEELCRAFT (P) LTD. and may not be Copied or communicated to a third party without its written consent.

PROJECT NAME : WOW China
(CUSTOMER)

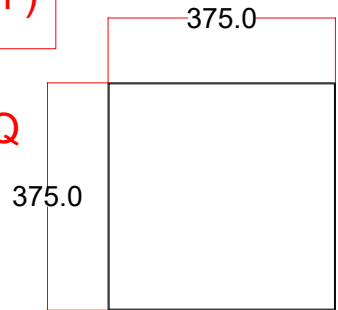
TITLE : Chines Bhatti 3 burner

SCALE	PROJ. No.	DRAWING NUMBER	DATE	SHEET No.	REVISION
NTS					

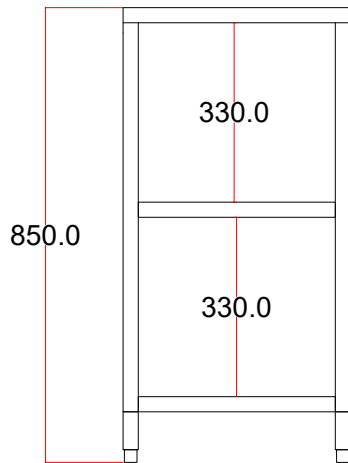
Overall Dimension
375 x 375 x 850 ht
(W x D x H in mm)

DWG NO - 12

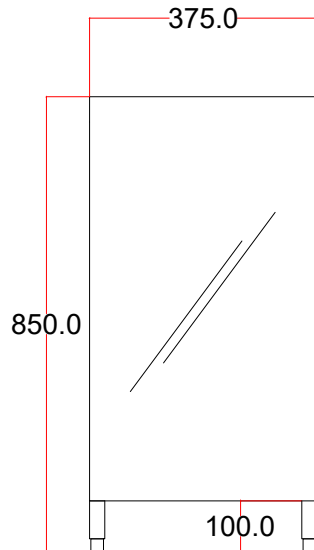
NOTE
Size same as BOQ



Top View

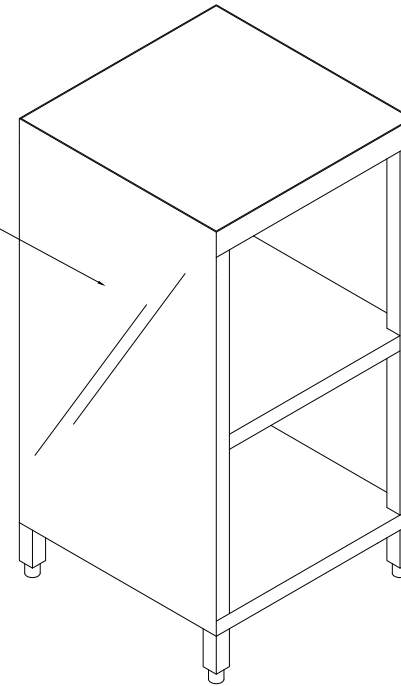


Front View



Side View

3 Side Covering



Isometric View

01	23/11/2023	PRELIMINARY FOR APPROVAL			ANUJ
REV	DATE	DESCRIPTION			APP..

SteelCraft
FOODSERVICEEQUIPMENTS

This drawing and the information contained therein are the exclusive property of STEELCRAFT (P) LTD. and may not be Copied or communicated to a third party without its written consent.

PROJECT NAME :
(CUSTOMER) WOW Momo

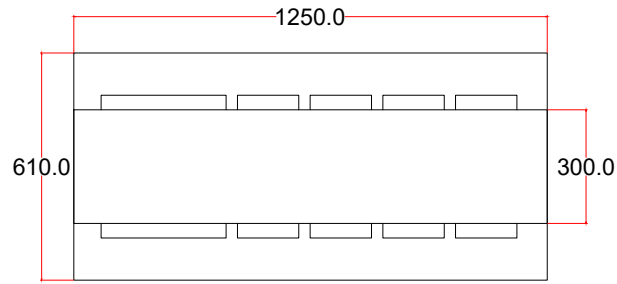
TITLE : Spice Tray and Rack

SCALE	PROJ. No.	DRAWING NUMBER	DATE	SHEET No.	REVISION
NTS					

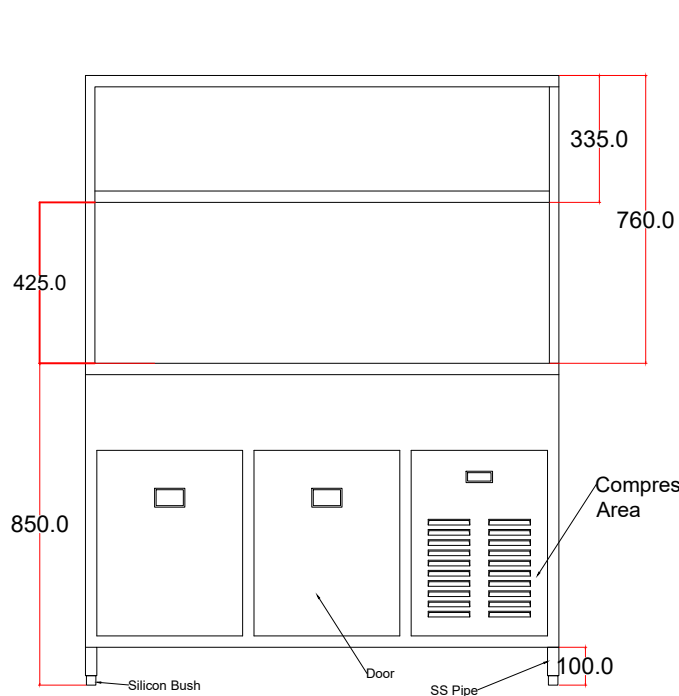
Overall Dimension
1250 x 610 x 850+760 ht
(W x D x H in mm)

DWG NO - 13

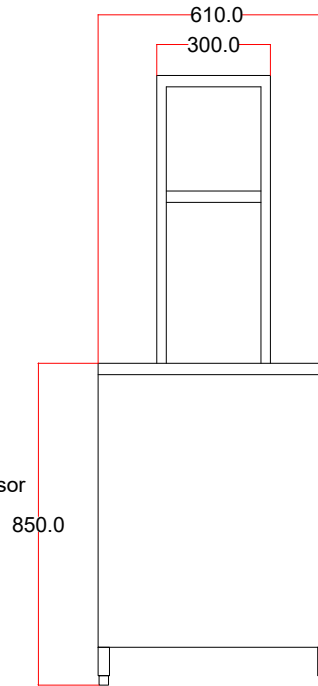
NOTE
Size not same as BOQ



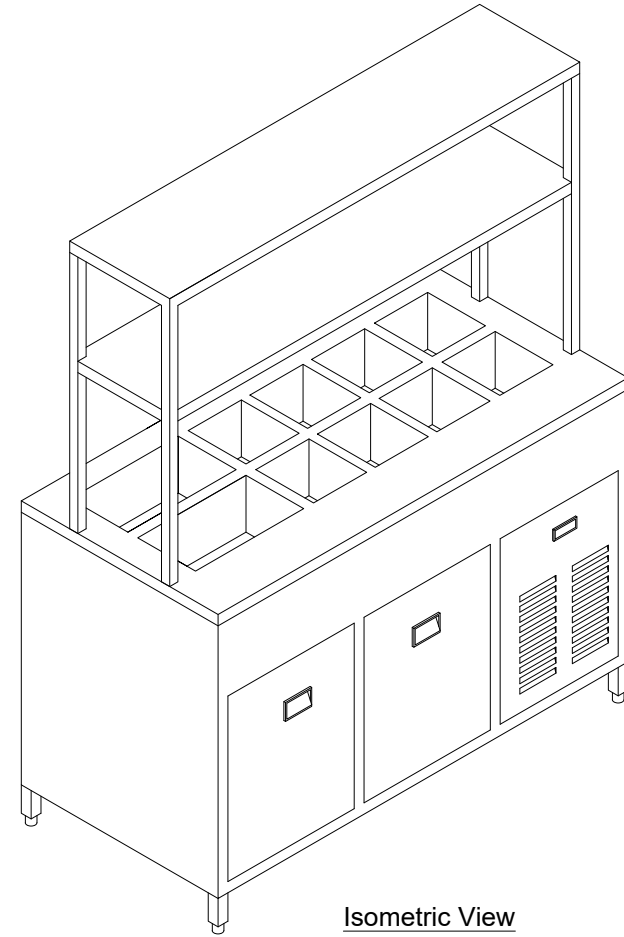
Top View



Front View



Side View



Isometric View

01	24/11/2023	PRELIMINARY FOR APPROVAL			ANUJ
REV	DATE	DESCRIPTION			APP..

SteelCraft
FOODSERVICEEQUIPMENTS

This drawing and the information contained therein are the exclusive property of STEELCRAFT (P) LTD. and may not be Copied or communicated to a third party without its written consent.

PROJECT NAME : WOW China
(CUSTOMER)

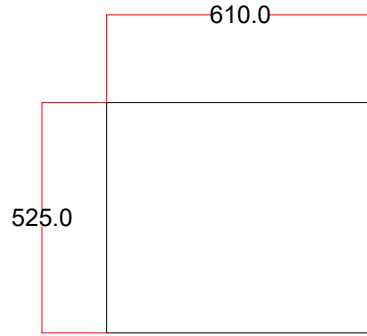
TITLE : Vegies Station with O.H.S

SCALE	PROJ. No.	DRAWING NUMBER	DATE	SHEET No.	REVISION
NTS					

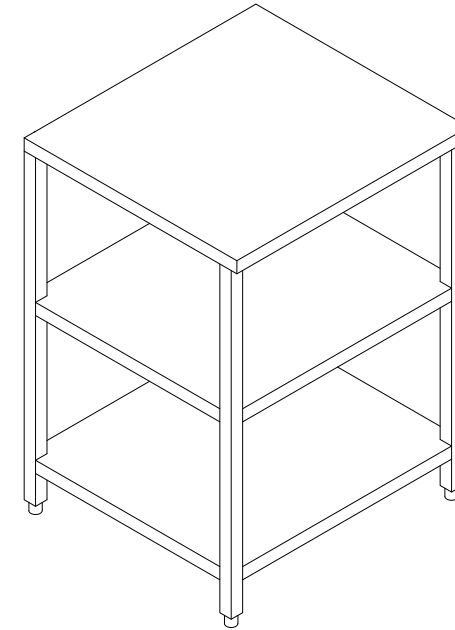
Overall Dimension
610 x 525 x 850 ht
(W x D x H in mm)

DWG NO - 14

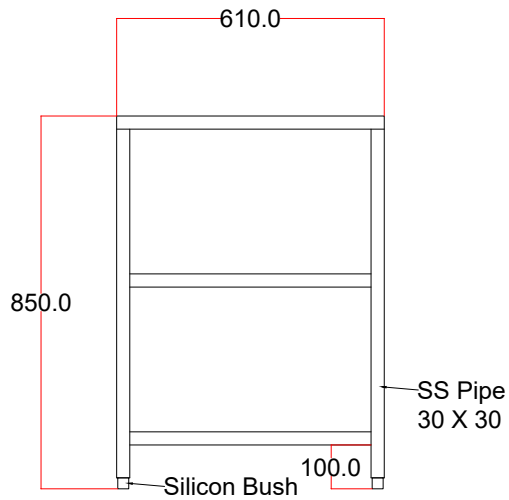
NOTE
Size not same as BOQ



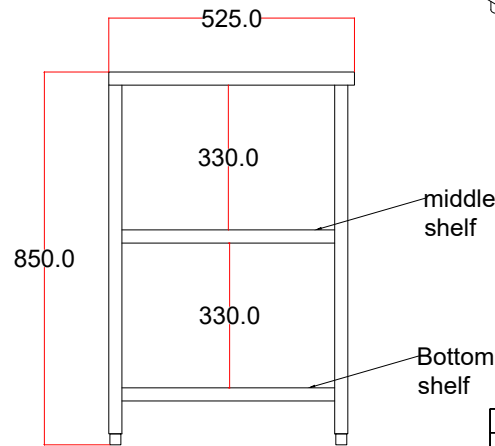
Top View



Isometric View



Front View



Side View

01	23/11/2023	PRELIMINARY FOR APPROVAL			ANUJ
REV	DATE	DESCRIPTION			APP..

SteelCraft
FOODSERVICEEQUIPMENTS

This drawing and the information contained therein are the exclusive property of STEELCRAFT (P) LTD. and may not be Copied or communicated to a third party without its written consent.

PROJECT NAME :
(CUSTOMER) WOW Momo

TITLE : Working table

SCALE	PROJ. No.	DRAWING NUMBER	DATE	SHEET No.	REVISION
NTS					