

# LOOSE FURNITURE - SEATING



Deccan Manor, Ground Floor  
Kashinath Dhuru Marg  
Near Siddhivinayak Mandir  
Prabhadevi, Mumbai, 400025  
abm@abmarchitects.com

<b>PROJECT</b>	<b>T1 LOUNGES - DOMESTIC LOUNGE PHASE 2</b>
<b>ISSUE DATE</b>	<b>AUGUST 2024</b>
<b>VERSION</b>	<b>4</b>

## Notes:

1. All materials and methods of construction must comply with India local fire & life safety codes and ABM standards.
2. Must be of contract quality and suitable for commercial use.
3. Manufacturer to provide ABM with finish samples prior to fabrication.
4. Manufacturer to provide ABM with shop drawings prior to fabrication.
5. Manufacturer must provide a structurally sound product with proper proportions to insure stability and prevent tipping.
6. Insure that piece will fit in elevators and through doors prior to commencing fabrication. All images, photographs and renderings of specified items contained in this specification package are for general design intent and reference only.
7. All metal parts must be guaranteed against rust and corrosion.
8. Provide heavy duty nylon carpet glides/adjustable levelers.
9. Metal finishes to have clear rust inhibitor for humidity protection to prevent rust and corrosion. Manufacturer to ensure materials are noncorrosive and suitable for use in high humidity and salt air locations as required. All exposed metal to be of a gauge appropriate to item and have no visible welded joints.
11. Manufacturer must review design concept and inform purchasing agent of any problems or discrepancies prior to fabrication.

# LOOSE FURNITURE - SEATING



Deccan Manor, Ground Floor  
Kashinath Dhuru Marg  
Near Siddhivinayak Mandir  
Prabhadevi, Mumbai, 400025  
abm@abmarchitects.com

<b>PROJECT</b>	<b>T1 LOUNGES - DOMESTIC LOUNGE PHASE 2</b>
<b>ISSUE DATE</b>	<b>AUGUST 2024</b>
<b>VERSION</b>	<b>4</b>

Item Number	<b>SC-1</b>
Location	<b>RELAX LOUNGE</b>
Item Description	<b>Armchair 1</b>
Manufacturer	
Finish	<ul style="list-style-type: none"> <li>•Upholstery fabric as per image attached from Arc One, Mumbai</li> <li>•Legs in New Burma teak wood with approved staining</li> </ul>
Quantity	16 nos.
Size	Overall W-D-H: 28x33x36in
	Inside Seating W-D-H: 22x23x17in Arm Height: 20in



SC-1.1



Burma Teakwood



Cushion



Similar printed cushions as shown in the 3D.  
Artwork files will be given to vendor by ABM.

All logos/labels on the seating to include the 080 logo

# LOOSE FURNITURE - SEATING



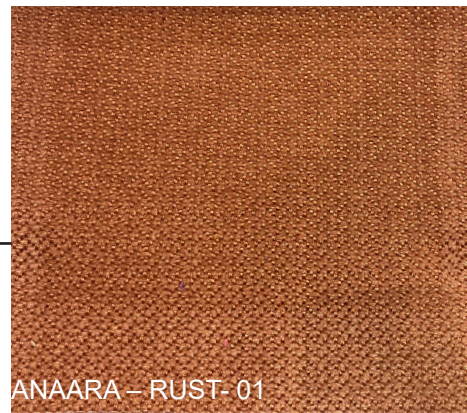
Deccan Manor, Ground Floor  
Kashinath Dhuru Marg  
Near Siddhivinayak Mandir  
Prabhadevi, Mumbai, 400025  
abm@abmarchitects.com

<b>PROJECT</b>	<b>T1 LOUNGES - DOMESTIC LOUNGE PHASE 2</b>
<b>ISSUE DATE</b>	<b>AUGUST 2024</b>
<b>VERSION</b>	<b>4</b>

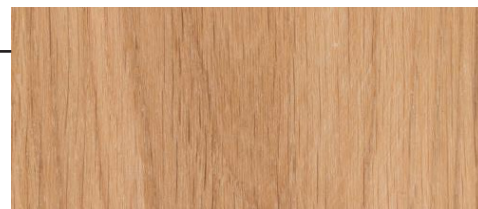
Item Number	<b>SC-2</b>
Location	<b>RELAX LOUNGE</b>
Item Description	<b>Armchair 2</b>
Manufacturer	
Finish	<ul style="list-style-type: none"> <li>•Upholstery fabric as per image attached from Arc One, Mumbai</li> <li>•Legs in New Burma teak wood with approved staining</li> </ul>
Quantity	7 nos.
Size	W - 27.5" x D - 27.5"
	Seat height - 20", Back height - 36"



SC-2.1



Burma Teakwood



Cushion



SC-2.2

LEATHERITE - ANKARA  
PASSPORT SR NO 08



Similar printed cushions as shown in the 3D.  
Artwork files will be given to vendor by ABM.

All logos/labels on the seating to include the 080 logo

# LOOSE FURNITURE - SEATING

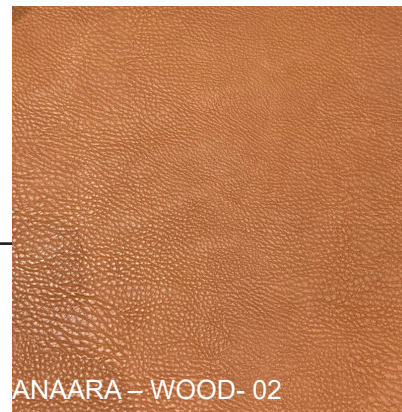


Deccan Manor, Ground Floor  
Kashinath Dhuru Marg  
Near Siddhivinayak Mandir  
Prabhadevi, Mumbai, 400025  
abm@abmarchitects.com

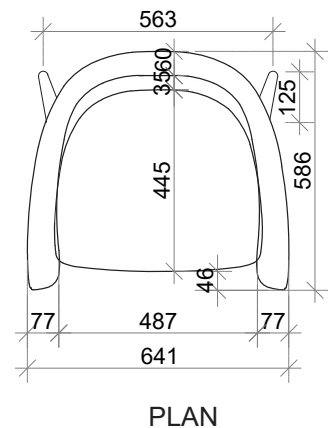
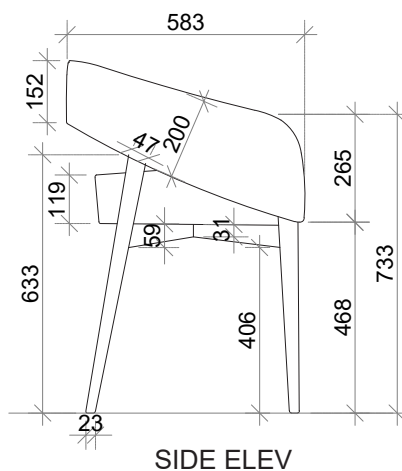
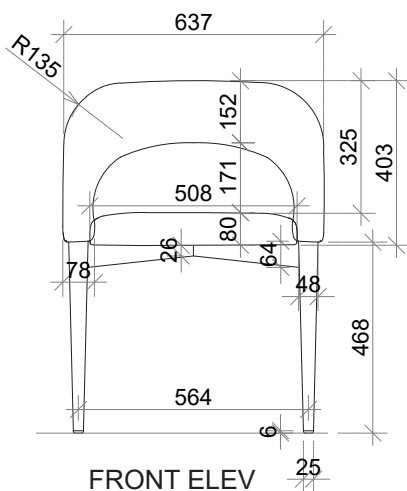
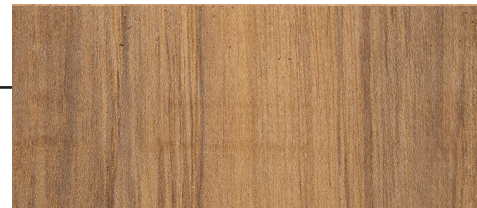
PROJECT	T1 LOUNGES - DOMESTIC LOUNGE PHASE 2
ISSUE DATE	AUGUST 2024
VERSION	4

Item Number	SC-3
Location	SPORTS LOUNGE
Item Description	Armchair 3
Manufacturer	
Finish	<ul style="list-style-type: none"> <li>•Upholstery leatherite as per image attached from Arc One, Mumbai</li> <li>•Legs in New Burma teak wood with approved staining</li> </ul>
Quantity	10 nos.

SC-3.1



Burma Teakwood



All logos/labels on the seating to include the 080 logo



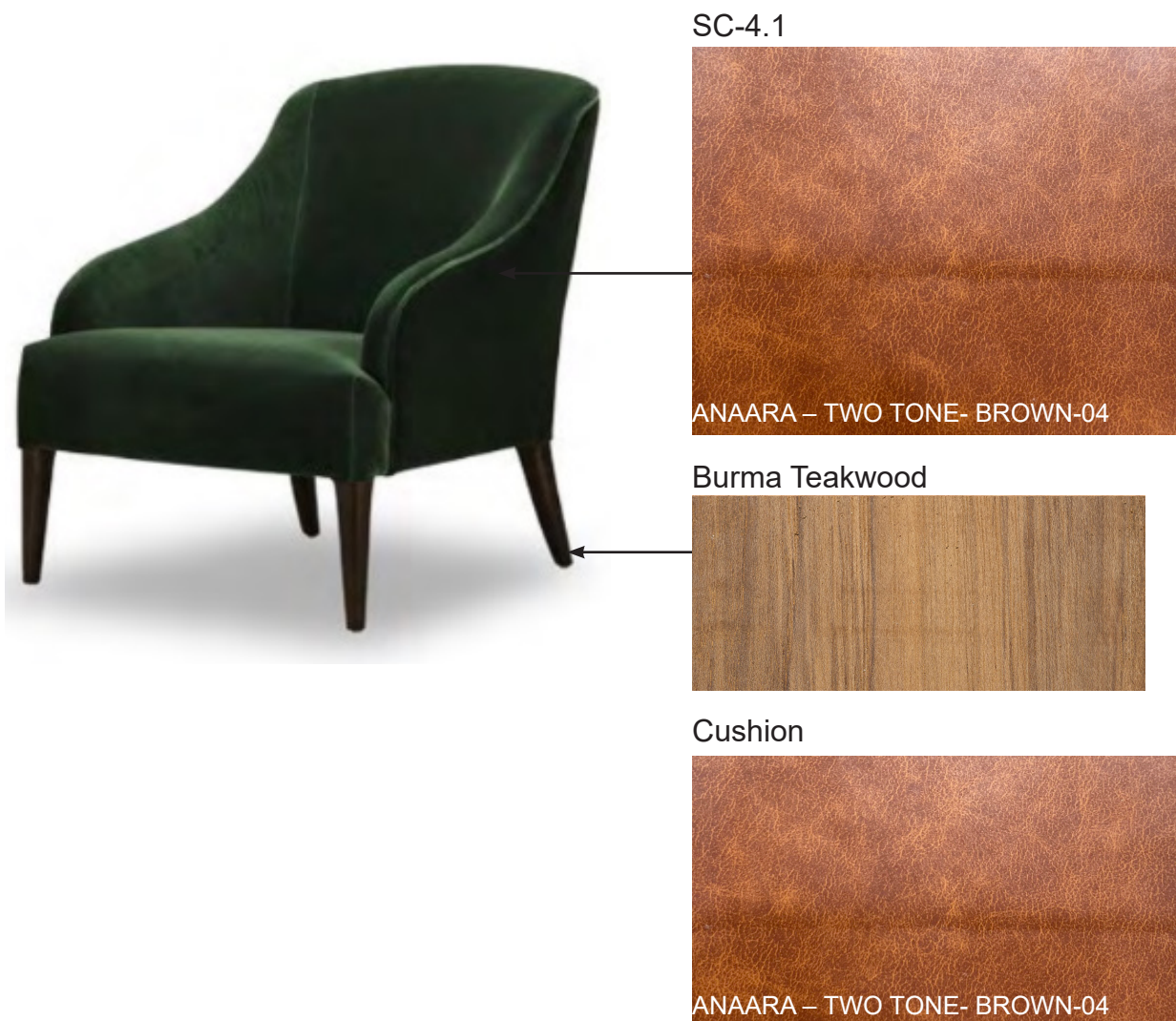
# LOOSE FURNITURE - SEATING



Deccan Manor, Ground Floor  
Kashinath Dhuru Marg  
Near Siddhivinayak Mandir  
Prabhadevi, Mumbai, 400025  
abm@abmarchitects.com

<b>PROJECT</b>	<b>T1 LOUNGES - DOMESTIC LOUNGE PHASE 2</b>
<b>ISSUE DATE</b>	<b>AUGUST 2024</b>
<b>VERSION</b>	<b>4</b>

Item Number	<b>SC-4</b>
Location	<b>SPORTS LOUNGE</b>
Item Description	<b>Armchair 4</b>
Manufacturer	
Finish	<ul style="list-style-type: none"> <li>•Upholstery leatherite as per image attached from Arc One, Mumbai</li> <li>•Legs in New Burma teak wood with approved staining</li> </ul>
Quantity	13 nos.
Size	Overall W-D-H: 28x33x36in
	Inside Seating W-D-H: 22x23x17in Arm Height: 20in



All logos/labels on the seating to include the 080 logo

# LOOSE FURNITURE - SEATING



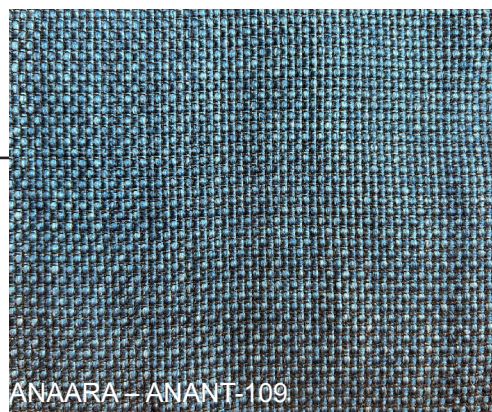
Deccan Manor, Ground Floor  
Kashinath Dhuru Marg  
Near Siddhivinayak Mandir  
Prabhadevi, Mumbai, 400025  
abm@abmarchitects.com

<b>PROJECT</b>	<b>T1 LOUNGES - DOMESTIC LOUNGE PHASE 2</b>
<b>ISSUE DATE</b>	<b>AUGUST 2024</b>
<b>VERSION</b>	<b>4</b>

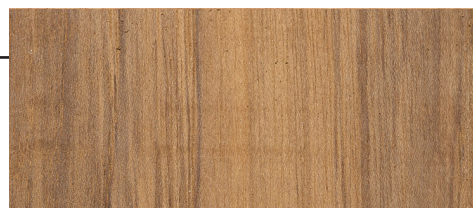
Item Number	<b>SC-5</b>
Location	<b>SPORTS LOUNGE</b>
Item Description	<b>Armchair 5</b>
Manufacturer	
Finish	<ul style="list-style-type: none"> <li>•Upholstery fabric as per image attached from Arc One, Mumbai</li> <li>•Legs in New Burma teak wood with approved staining</li> </ul>
Quantity	12 nos.
Size	(Overall): 32 Inches (H) x 22 Inches (W) x 22 Inches (D)
	Seat: 20 Inches [W], 19 Inches [D], & 18 Inches [floor to seat top]
	Seat Back Dimensions: 11.25 Inches (H) x 18.5 Inches (W)



SC-5.1



Burma Teakwood



All logos/labels on the seating to include the 080 logo

# LOOSE FURNITURE - SEATING



Deccan Manor, Ground Floor  
Kashinath Dhuru Marg  
Near Siddhivinayak Mandir  
Prabhadevi, Mumbai, 400025  
abm@abmarchitects.com

<b>PROJECT</b>	<b>T1 LOUNGES - DOMESTIC LOUNGE PHASE 2</b>
<b>ISSUE DATE</b>	<b>AUGUST 2024</b>
<b>VERSION</b>	<b>4</b>

Item Number	<b>SC-6</b>
Location	<b>TEA GARDEN</b>
Item Description	<b>Armchair 6</b>
Manufacturer	
Finish	<ul style="list-style-type: none"> <li>•Upholstery fabric as per image attached from Arc One, Mumbai</li> <li>•Legs in New Burma teak wood with approved staining</li> </ul>
Quantity	19 nos.
Size	Total width (21.3 in)
	Total depth (22 in)
	Total height (31.5 in) Seat height (18.9 in)



All logos/labels on the seating to include the 080 logo



# LOOSE FURNITURE - SEATING



Deccan Manor, Ground Floor  
Kashinath Dhuru Marg  
Near Siddhivinayak Mandir  
Prabhadevi, Mumbai, 400025  
abm@abmarchitects.com

<b>PROJECT</b>	<b>T1 LOUNGES - DOMESTIC LOUNGE PHASE 2</b>
<b>ISSUE DATE</b>	<b>AUGUST 2024</b>
<b>VERSION</b>	<b>4</b>

Item Number	<b>SC-7</b>
Location	<b>SALON - Reception, Nail Bar</b>
Item Description	<b>Chair</b>
Manufacturer	
Finish	<ul style="list-style-type: none"> <li>•Upholstery fabric/leatherite as per image attached from ArcOne, Mumbai</li> <li>•Legs in New Burma teak wood with approved staining</li> </ul>
Quantity	4 nos.
Size	Overall: D- 18" W- 19" H-30"
	Seat Height: 18"



SC-7.1

SC-7.2

Chair Seat

Chair Back



ANAARA - ELLEN RHUBARB

ANAARA LAMB WHITE 901

Finish to match Ph1 Furniture Rose Gold Bronze Satin Metal but brushed finished or matte





# LOOSE FURNITURE - SEATING



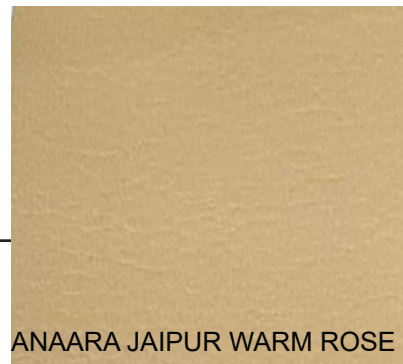
Deccan Manor, Ground Floor  
Kashinath Dhuru Marg  
Near Siddhivinayak Mandir  
Prabhadevi, Mumbai, 400025  
abm@abmarchitects.com

PROJECT	T1 LOUNGES - DOMESTIC LOUNGE PHASE 2
ISSUE DATE	AUGUST 2024
VERSION	4

Item Number	MC-1
Location	SALON
Item Description	Massage Chair 1
Manufacturer	
Finish	•Upholstery leatherite as per image attached from Arc One, Mumbai
Quantity	4 nos.



MC-1.1



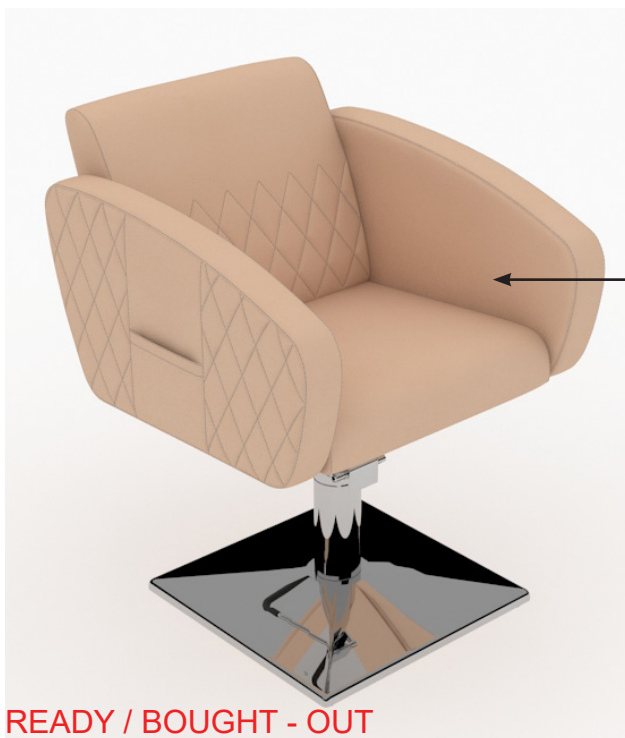
# LOOSE FURNITURE - SEATING



Deccan Manor, Ground Floor  
Kashinath Dhuru Marg  
Near Siddhivinayak Mandir  
Prabhadevi, Mumbai, 400025  
abm@abmarchitects.com

PROJECT	T1 LOUNGES - DOMESTIC LOUNGE PHASE 2
ISSUE DATE	AUGUST 2024
VERSION	4

Item Number	SW-1
Location	SALON
Item Description	Swivel Armchair
Manufacturer	
Finish	•Upholstery leatherite as per image attached from Arc One, Mumbai
Quantity	2 nos.



MC-1.1



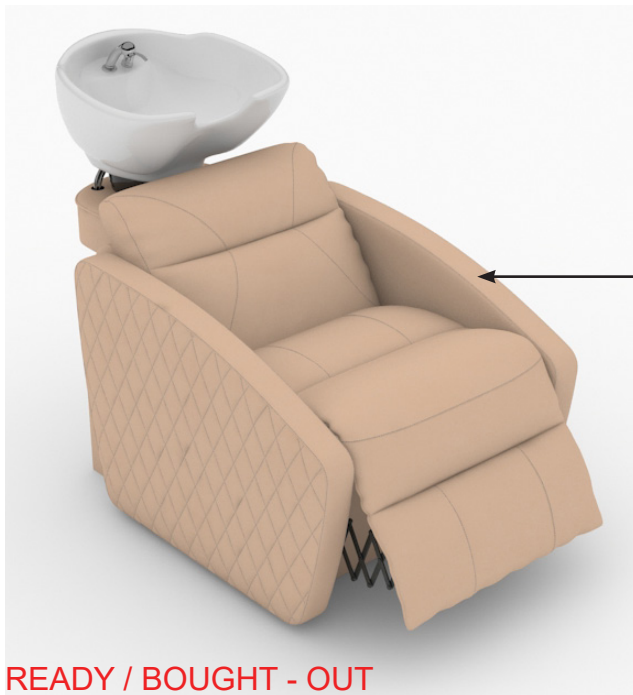
# LOOSE FURNITURE - SEATING



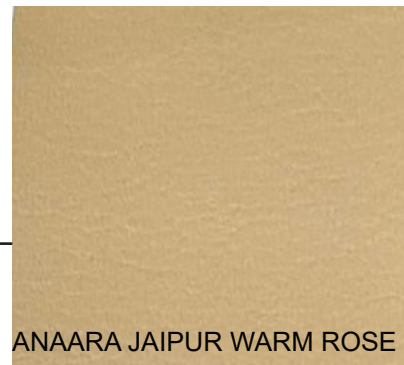
Deccan Manor, Ground Floor  
Kashinath Dhuru Marg  
Near Siddhivinayak Mandir  
Prabhadevi, Mumbai, 400025  
abm@abmarchitects.com

PROJECT	T1 LOUNGES - DOMESTIC LOUNGE PHASE 2
ISSUE DATE	AUGUST 2024
VERSION	4

Item Number	HW-1
Location	SALON
Item Description	Hairwash chair
Manufacturer	
Finish	•Upholstery leatherite as per image attached from Arc One, Mumbai
Quantity	1 nos.



MC-1.1



ANAARA JAIPUR WARM ROSE

# LOOSE FURNITURE - SEATING



Deccan Manor, Ground Floor  
Kashinath Dhuru Marg  
Near Siddhivinayak Mandir  
Prabhadevi, Mumbai, 400025  
abm@abmarchitects.com

<b>PROJECT</b>	<b>T1 LOUNGES - DOMESTIC LOUNGE PHASE 2</b>
<b>ISSUE DATE</b>	<b>AUGUST 2024</b>
<b>VERSION</b>	<b>4</b>

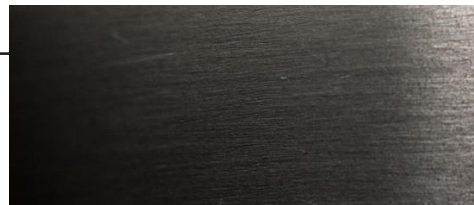
Item Number	<b>CH-1</b>					
Location	<b>SPORTS LOUNGE</b>					
Item Description	<b>Bar Stool 1</b>					
Manufacturer						
Finish	<ul style="list-style-type: none"> <li>•Upholstery leatherite as per image attached from Arc One, Mumbai</li> <li>•Legs in black powder coated metal</li> </ul>					
Quantity	11 nos.					
Size	Depth	Width	Height	Seat Width	Seat Depth	Seat Height
	21.5"	22"	41.5"	18"	18.5"	31"



CH-1.1



Black Powder Coated Metal



BAR STOOL TO  
AUTO SWIVEL



# LOOSE FURNITURE - SEATING



Deccan Manor, Ground Floor  
Kashinath Dhuru Marg  
Near Siddhivinayak Mandir  
Prabhadevi, Mumbai, 400025  
abm@abmarchitects.com

PROJECT	T1 LOUNGES - DOMESTIC LOUNGE PHASE 2
ISSUE DATE	AUGUST 2024
VERSION	4

Item Number	CH-2
Location	SPORTS LOUNGE
Item Description	Bar Stool 2
Manufacturer	
Finish	<ul style="list-style-type: none"> <li>•Upholstery leatherite as per image attached from Arc One, Mumbai</li> <li>•Legs in New Burma teak wood with approved staining</li> </ul>
Quantity	12 nos.

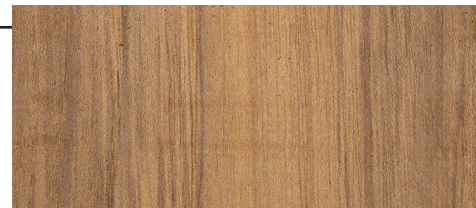


CH-2.1

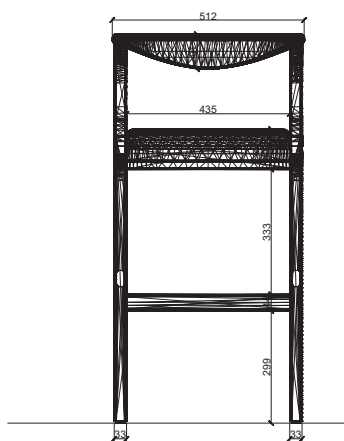


ANAARA – BROWN-02

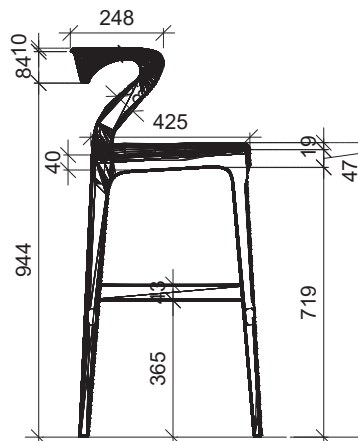
Burma Teakwood



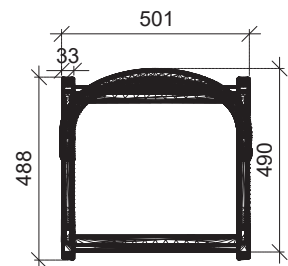
MOCKUP MADE WITHOUT FABRIC



FRONT ELEV



SIDE ELEV



PLAN

All logos/labels on the seating to include the 080 logo

# LOOSE FURNITURE - SEATING

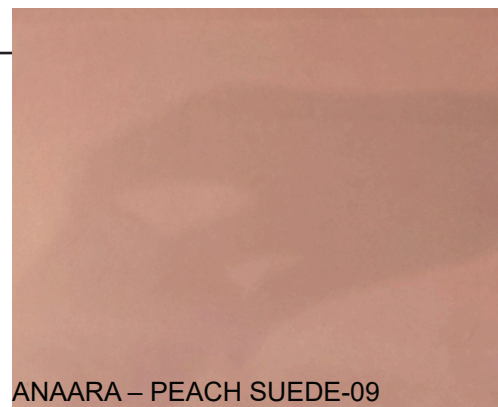


Deccan Manor, Ground Floor  
Kashinath Dhuru Marg  
Near Siddhivinayak Mandir  
Prabhadevi, Mumbai, 400025  
abm@abmarchitects.com

PROJECT	T1 LOUNGES - DOMESTIC LOUNGE PHASE 2
ISSUE DATE	AUGUST 2024
VERSION	4

Item Number	CH-3
Location	TEA GARDEN
Item Description	Bar Stool 3
Manufacturer	
Finish	<ul style="list-style-type: none"> <li>•Upholstery fabric as per image attached from Arc One, Mumbai</li> <li>•Legs in New Burma teak wood with approved staining</li> </ul>
Quantity	10 nos.

CH-3.1

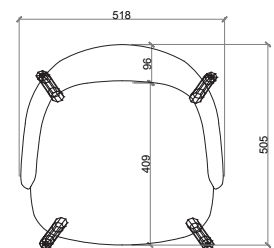
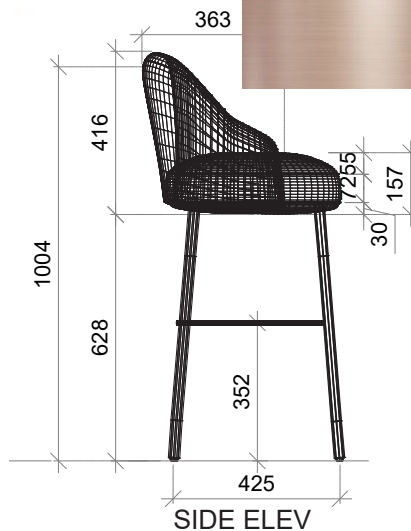
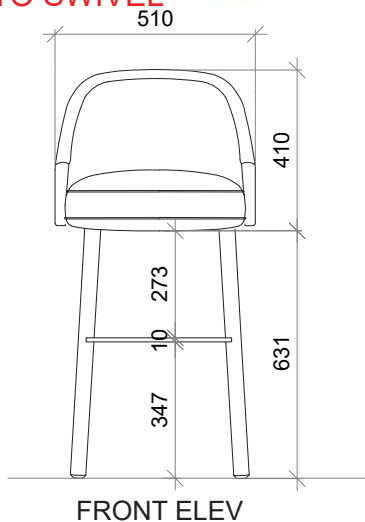


ANAARA – PEACH SUEDE-09

Finish to match Ph1 Furniture Rose Gold Bronze Satin Metal but brushed finished or matte



BAR STOOL TO AUTO SWIVEL



All logos/labels on the seating to include the 080 logo

# LOOSE FURNITURE - SEATING



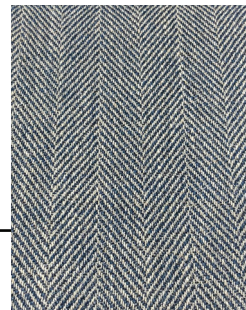
Deccan Manor, Ground Floor  
Kashinath Dhuru Marg  
Near Siddhivinayak Mandir  
Prabhadevi, Mumbai, 400025  
abm@abmarchitects.com

PROJECT	T1 LOUNGES - DOMESTIC LOUNGE PHASE 2
ISSUE DATE	AUGUST 2024
VERSION	4

Item Number	CH-4 & CH-5
Location	DINING AREA
Item Description	Dining Chair 1 & 2
Manufacturer	
Finish	•Upholstery fabric as per image attached from Arc One, Mumbai •Legs in New Burma teak wood with approved staining
Quantity	32 nos.
Size	22 x 24 x 36 inch

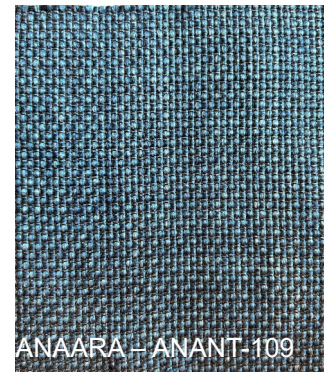


CH-4.1



ANAARA - DENIM  
WEAVE-06  
14 nos.

CH-5.1



ANAARA - ANANT-109  
18 nos.

Burma Teakwood



MOCKUP MADE WITHOUT FABRIC

All logos/labels on the seating to include the 080 logo

# LOOSE FURNITURE - SEATING

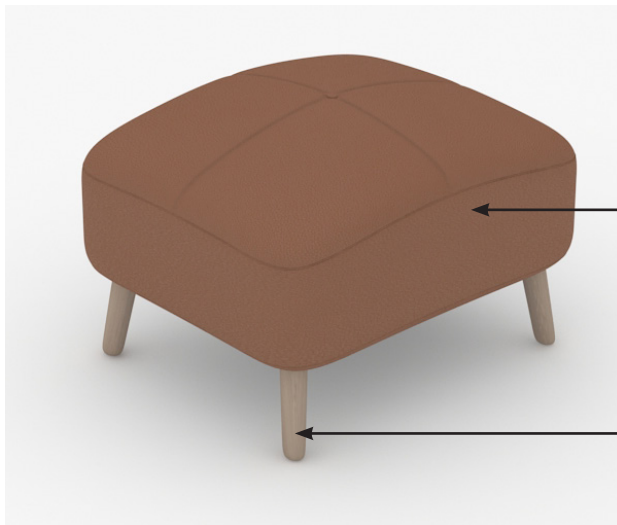


Deccan Manor, Ground Floor  
Kashinath Dhuru Marg  
Near Siddhivinayak Mandir  
Prabhadevi, Mumbai, 400025  
abm@abmarchitects.com

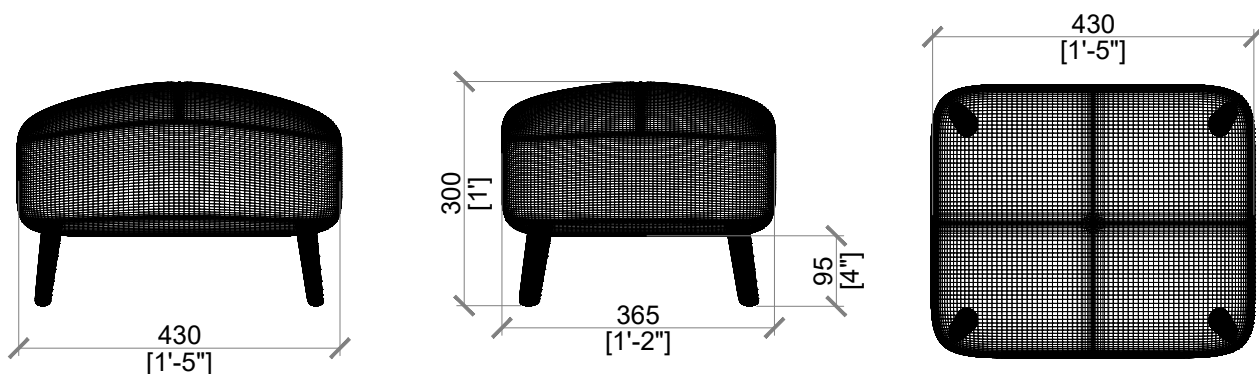
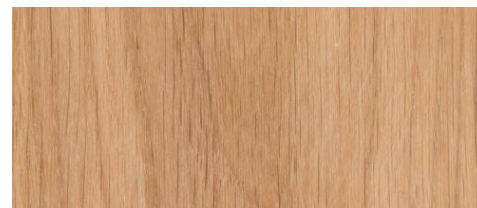
<b>PROJECT</b>	<b>T1 LOUNGES - DOMESTIC LOUNGE PHASE 2</b>
<b>ISSUE DATE</b>	<b>AUGUST 2024</b>
<b>VERSION</b>	<b>4</b>

Item Number	<b>ST-1</b>
Location	<b>SALON</b>
Item Description	<b>Foot Stool</b>
Manufacturer	
Finish	<ul style="list-style-type: none"> <li>•Upholstery fabric/leatherite as per image attached from ArcOne, Mumbai</li> <li>•Legs in New Burma teak wood with approved staining</li> </ul>
Quantity	4 nos.
Size	D x W x H - 14" x 17" x 12"

ST-1.1



Burma Teakwood



All logos/labels on the seating to include the 080 logo



# LOOSE FURNITURE - SEATING



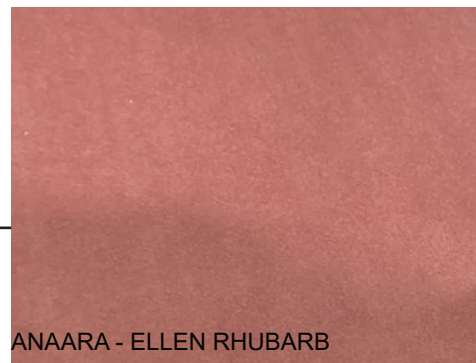
Deccan Manor, Ground Floor  
Kashinath Dhuru Marg  
Near Siddhivinayak Mandir  
Prabhadevi, Mumbai, 400025  
abm@abmarchitects.com

PROJECT	T1 LOUNGES - DOMESTIC LOUNGE PHASE 2
ISSUE DATE	AUGUST 2024
VERSION	4

Item Number	ST-2
Location	SALON
Item Description	Low Stool
Manufacturer	
Finish	<ul style="list-style-type: none"> <li>•Upholstery fabric/leatherite as per image attached from ArcOne, Mumbai</li> <li>•Legs in New Burma teak wood with approved staining</li> </ul>
Quantity	6 nos.
Size	Diameter - 16"
	Height - 18"

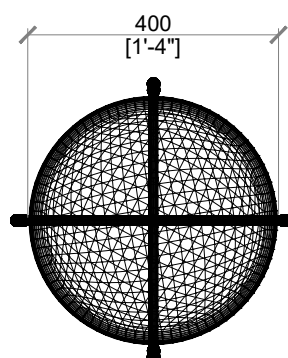
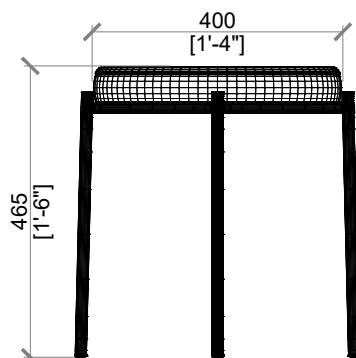


ST-2.1



ANAARA - ELLEN RHUBARB

Finish to match Ph1 Furniture Rose Gold Bronze Satin Metal but brushed finished or matte



All logos/labels on the seating to include the 080 logo

# LOOSE FURNITURE - TABLES



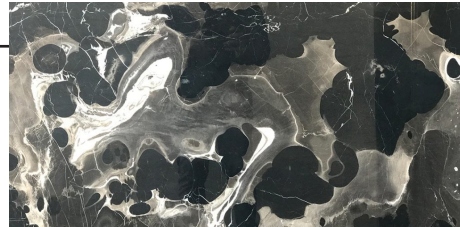
Deccan Manor, Ground Floor  
Kashinath Dhuru Marg  
Near Siddhivinayak Mandir  
Prabhadevi, Mumbai, 400025  
abm@abmarchitects.com

PROJECT	T1 LOUNGES - DOMESTIC LOUNGE PHASE 2
ISSUE DATE	AUGUST 2024
VERSION	4

Item Number	CT-01
Location	RELAX LOUNGE
Item Description	Center Table
Manufacturer	
Quantity	4 nos.

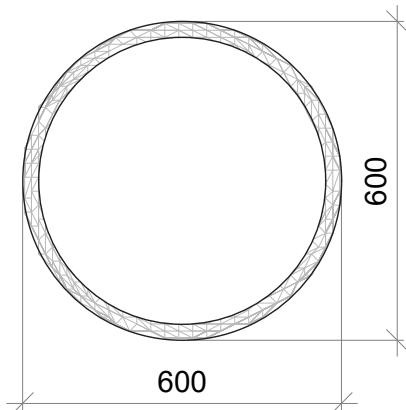


ITM-1

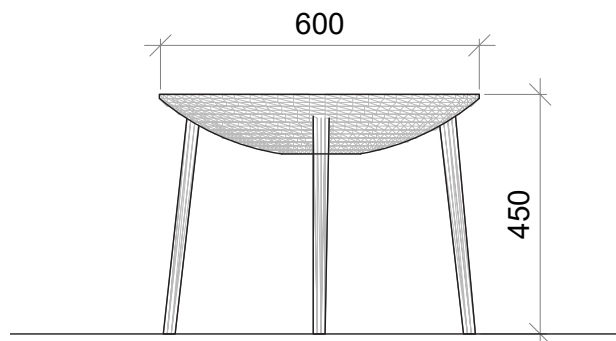


Black Rose Marble Top

Finish to match Ph1 Furniture Rose Gold  
Bronze Satin Metal but brushed finished or  
matte



PLAN



FRONT ELEV

# LOOSE FURNITURE - TABLES



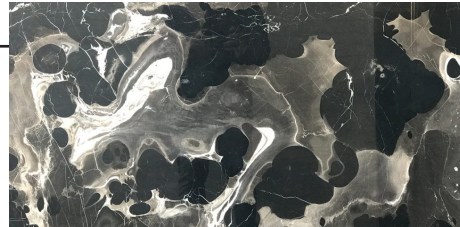
Deccan Manor, Ground Floor  
Kashinath Dhuru Marg  
Near Siddhivinayak Mandir  
Prabhadevi, Mumbai, 400025  
abm@abmarchitects.com

PROJECT	T1 LOUNGES - DOMESTIC LOUNGE PHASE 2
ISSUE DATE	AUGUST 2024
VERSION	4

Item Number	CT-02
Location	SPORTS LOUNGE, LIVE DINING
Item Description	Dining Table
Manufacturer	
Quantity	15 nos.



ITM-1

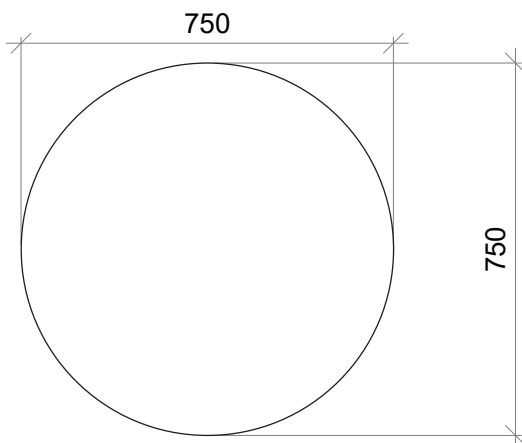


Black Rose Marble Top

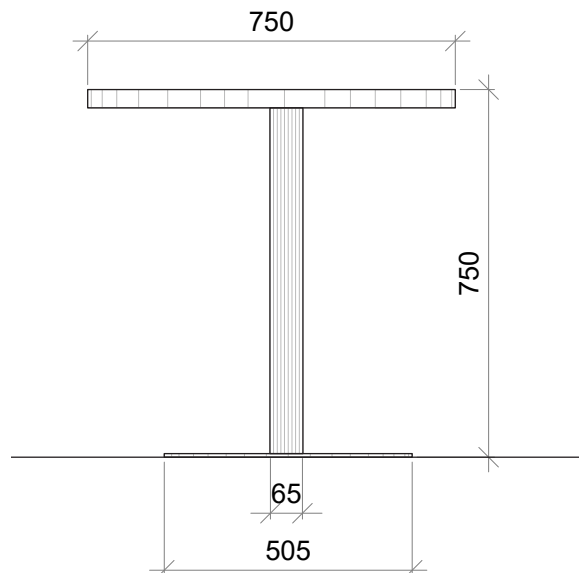
Finish to match Ph1 Furniture Rose Gold Bronze Satin Metal but brushed finished or matte



MOCKUP NOT NEEDED DONE IN PH 1



PLAN



FRONT ELEV

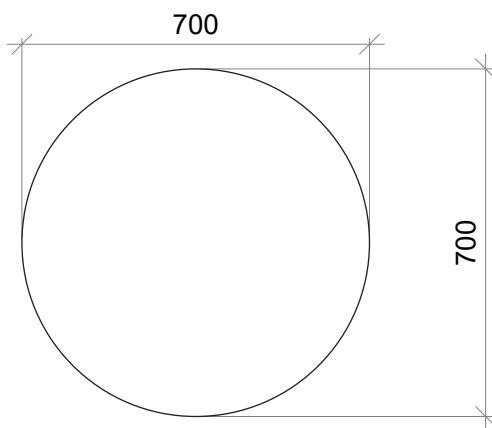
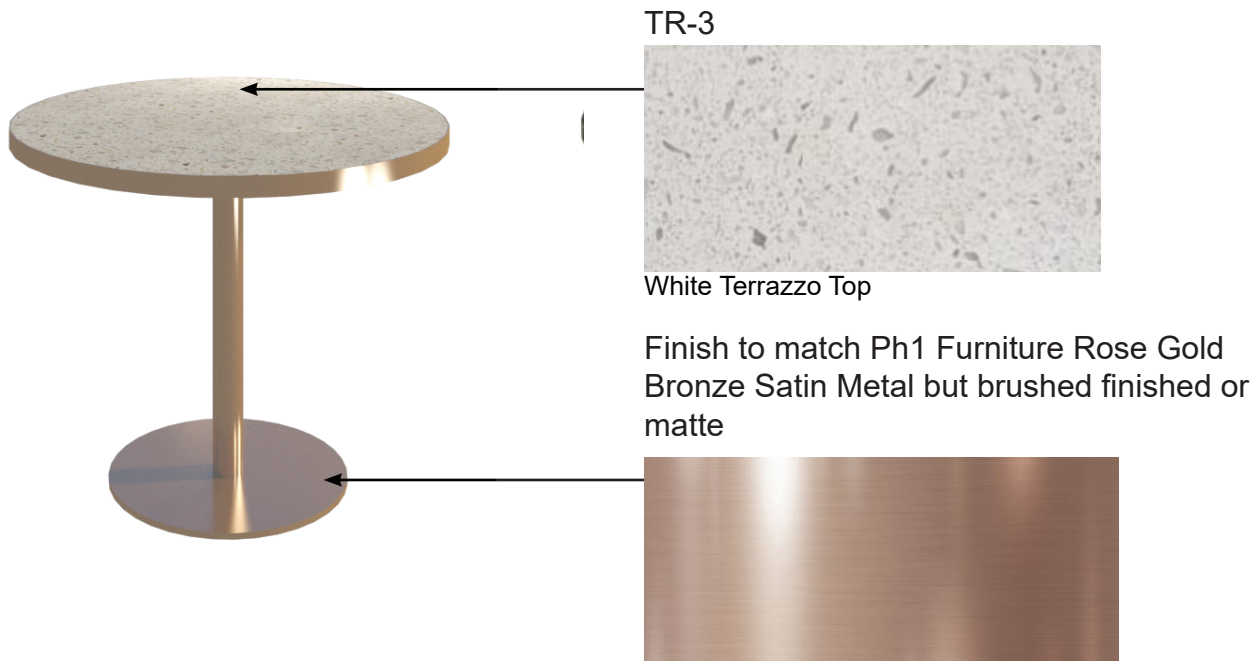
# LOOSE FURNITURE - TABLES



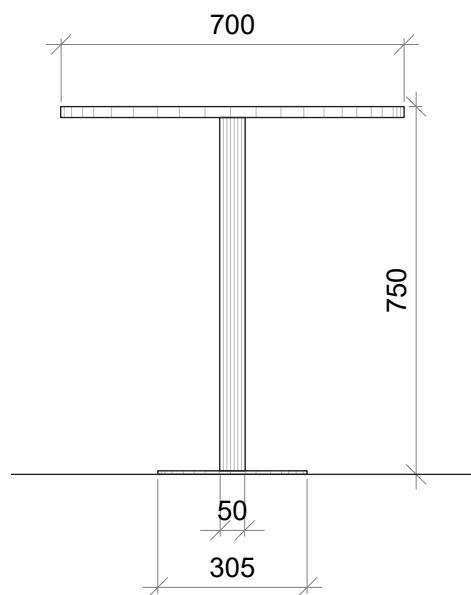
Deccan Manor, Ground Floor  
Kashinath Dhuru Marg  
Near Siddhivinayak Mandir  
Prabhadevi, Mumbai, 400025  
abm@abmarchitects.com

PROJECT	T1 LOUNGES - DOMESTIC LOUNGE PHASE 2
ISSUE DATE	AUGUST 2024
VERSION	4

Item Number	CT-03
Location	TEA GARDEN
Item Description	Dining Table
Manufacturer	
Quantity	14 nos.



PLAN



FRONT ELEV



# LOOSE FURNITURE - TABLES



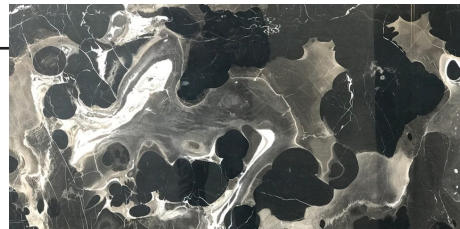
Deccan Manor, Ground Floor  
Kashinath Dhuru Marg  
Near Siddhivinayak Mandir  
Prabhadevi, Mumbai, 400025  
abm@abmarchitects.com

PROJECT	T1 LOUNGES - DOMESTIC LOUNGE PHASE 2
ISSUE DATE	AUGUST 2024
VERSION	4

Item Number	CT-04
Location	LIVE DINING
Item Description	Dining Table
Manufacturer	
Quantity	4 nos.



ITM-1

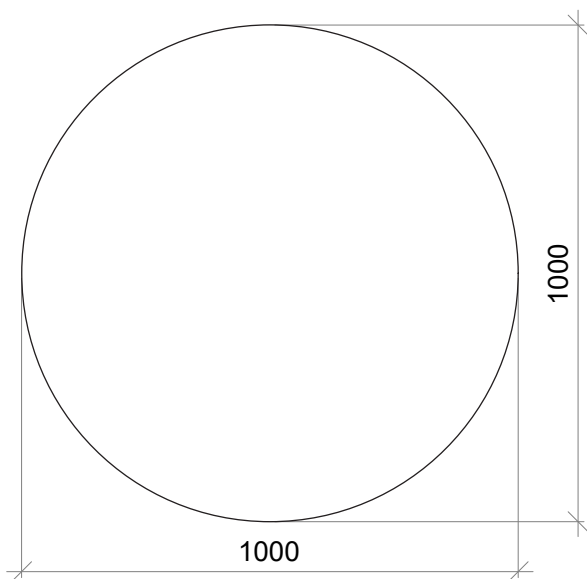


Black Rose Marble Top

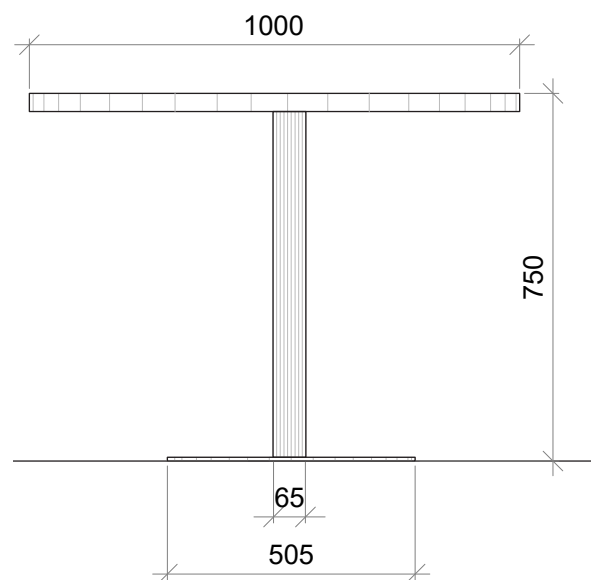
Finish to match Ph1 Furniture Rose Gold  
Bronze Satin Metal but brushed finished or  
matte



MOCKUP NOT NEEDED DONE IN PH 1



PLAN



FRONT ELEV

# LOOSE FURNITURE - TABLES



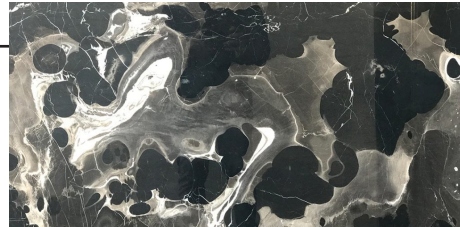
Deccan Manor, Ground Floor  
Kashinath Dhuru Marg  
Near Siddhivinayak Mandir  
Prabhadevi, Mumbai, 400025  
abm@abmarchitects.com

PROJECT	T1 LOUNGES - DOMESTIC LOUNGE PHASE 2
ISSUE DATE	AUGUST 2024
VERSION	4

Item Number	D-LF-01
Location	LIVE DINING
Item Description	Dining Table
Manufacturer	
Quantity	4 nos.



ITM-1

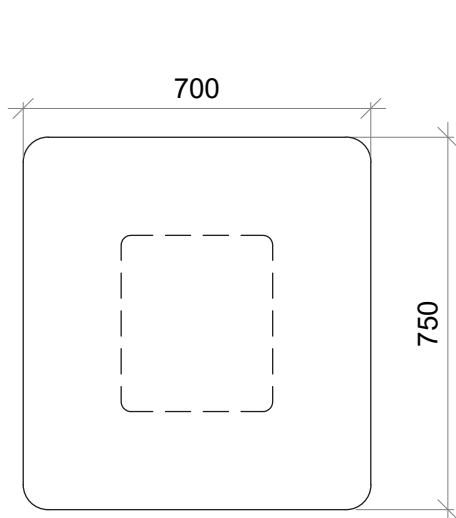


Black Rose Marble Top

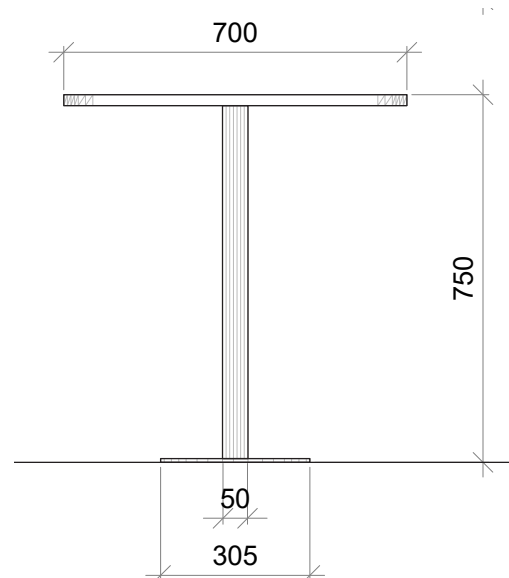
Finish to match Ph1 Furniture Rose Gold Bronze Satin Metal but brushed finished or matte



MOCKUP NOT NEEDED DONE IN PH 1



PLAN



FRONT ELEV

# LOOSE FURNITURE - TABLES



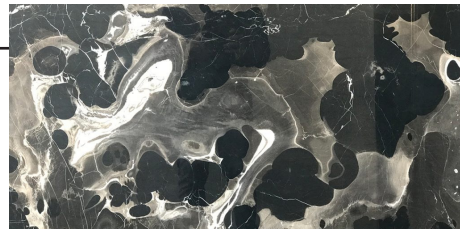
Deccan Manor, Ground Floor  
Kashinath Dhuru Marg  
Near Siddhivinayak Mandir  
Prabhadevi, Mumbai, 400025  
abm@abmarchitects.com

PROJECT	T1 LOUNGES - DOMESTIC LOUNGE PHASE 2
ISSUE DATE	AUGUST 2024
VERSION	4

Item Number	D-LF-01
Location	DINING
Item Description	Dining Table
Manufacturer	
Quantity	16 nos.



ITM-1

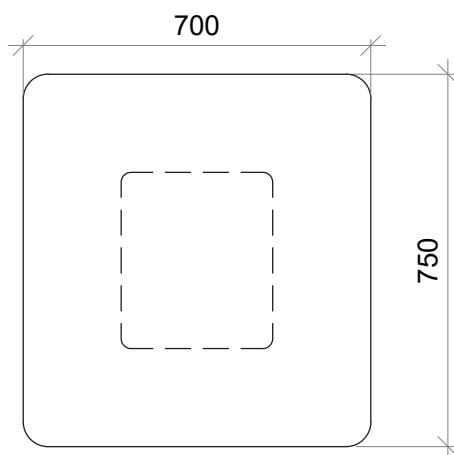


Black Rose Marble Top

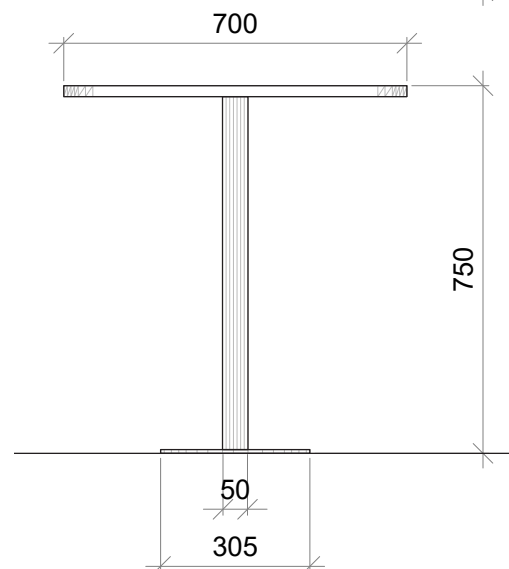
Finish to match Ph1 Furniture Rose Gold  
Bronze Satin Metal but brushed finished or  
matte



MOCKUP NOT NEEDED DONE IN PH 1



PLAN



FRONT ELEV

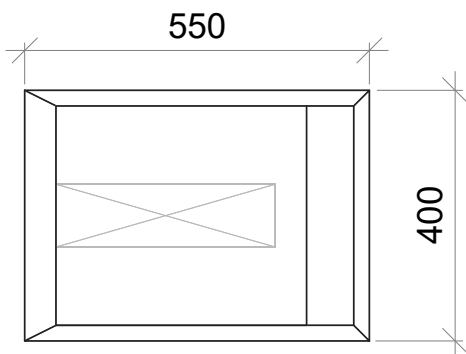
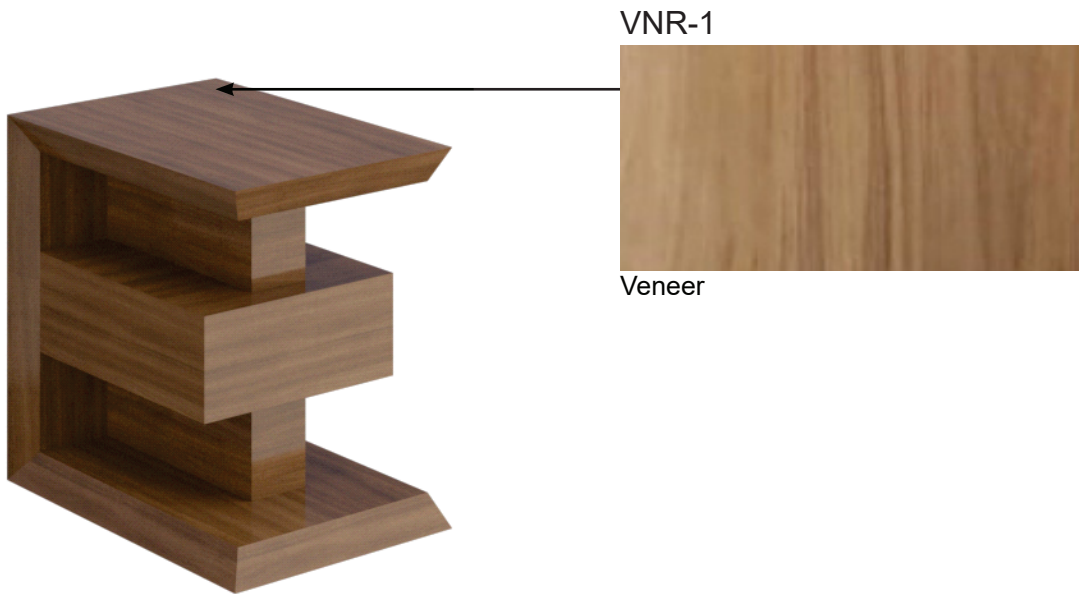
# LOOSE FURNITURE - TABLES



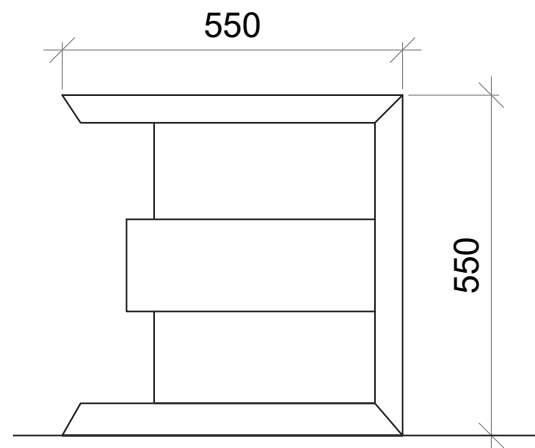
Deccan Manor, Ground Floor  
Kashinath Dhuru Marg  
Near Siddhivinayak Mandir  
Prabhadevi, Mumbai, 400025  
abm@abmarchitects.com

PROJECT	T1 LOUNGES - DOMESTIC LOUNGE PHASE 2
ISSUE DATE	AUGUST 2024
VERSION	4

Item Number	ST-01
Location	RELAX LOUNGE
Item Description	Side Table
Manufacturer	
Quantity	22 nos.



PLAN



FRONT ELEV

*\*With power sockets*