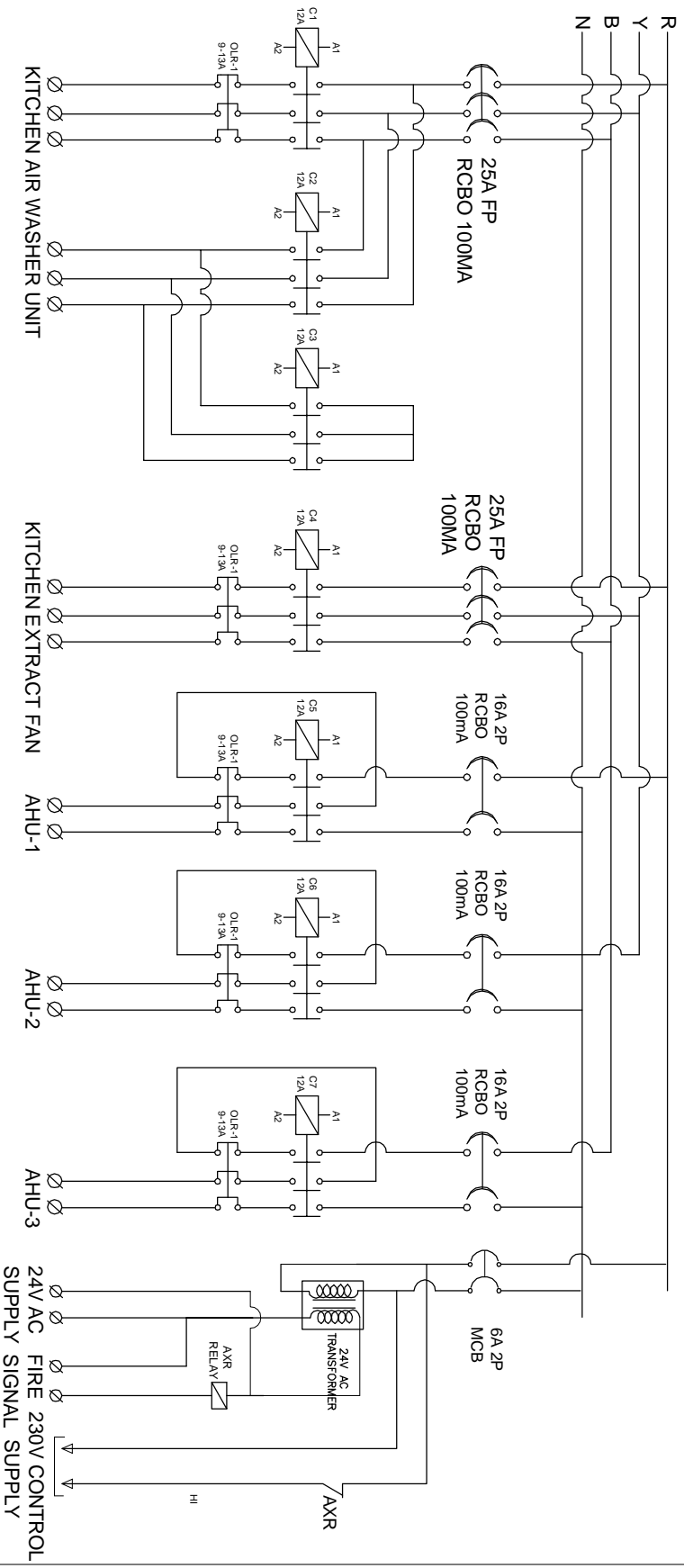
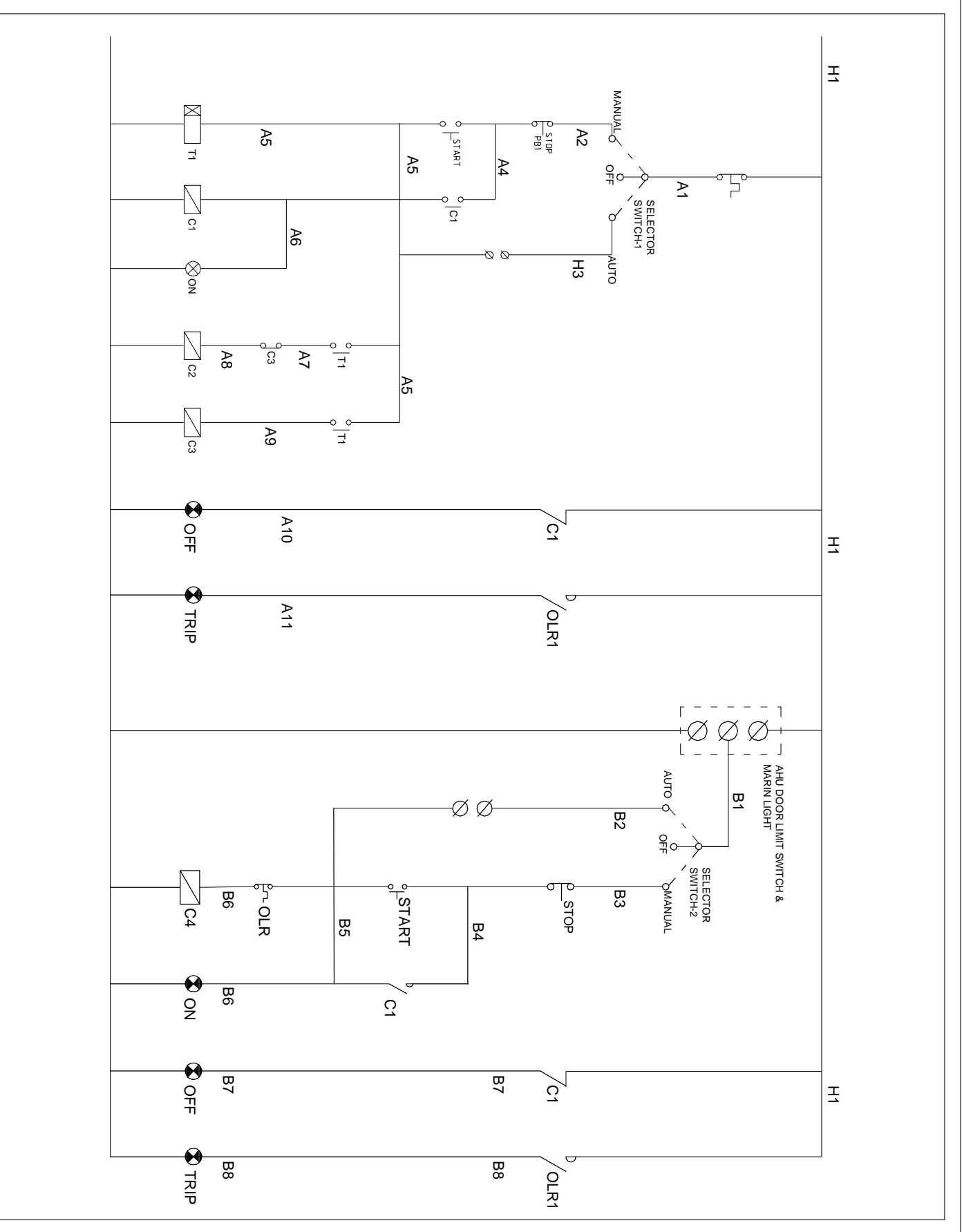


FRONT VIEW

SIDE VIEW

CLIENT:-	TRAVEL FOOD SERVICES PRIVATE LTD	TITLE:-	SMDB	SHEET NO	01
CONSULTANT:-	MUFPI DESIGN SOLUTIONS	SCALE	NTS	CHECKED BY	S ALAM KHAN
PROJECT:-	BUDWEISER T1 DELHI	DATE:	17/02/2024		
DRWG NO.:	ELE-171/23-24	DRWG BY	B ALAM KHAN		





CLIENT:-	TRAVEL FOOD SERVICES PRIVATE LTD	TITLE:-	CONTROL WIRING	SHEET NO	01
CONSULTANT:-	MUFPIIN DESIGN SOLUTIONS	SCALE	NTS	CHECKED BY	S ALAM KHAN
PROJECT:-	BUDWEISER T1 DELHI	DATE:	17/02/2024		
DRWG NO.:	ELE-171/23-24	DRWG BY	B ALAM KHAN		



