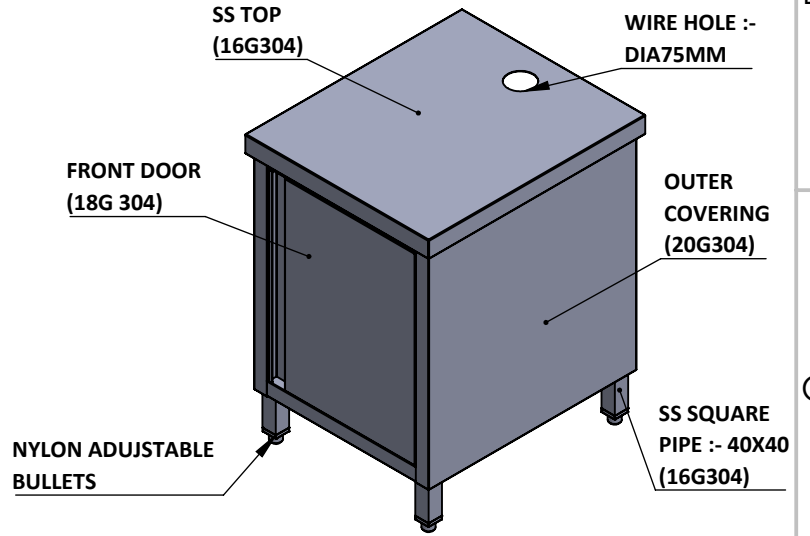
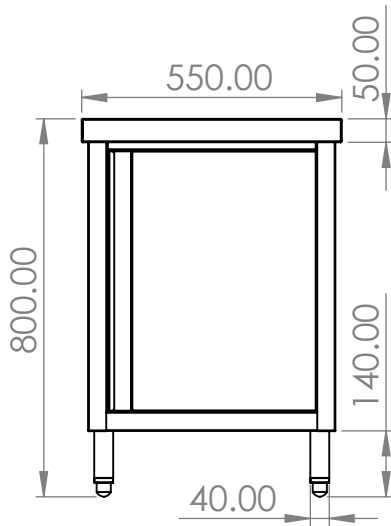


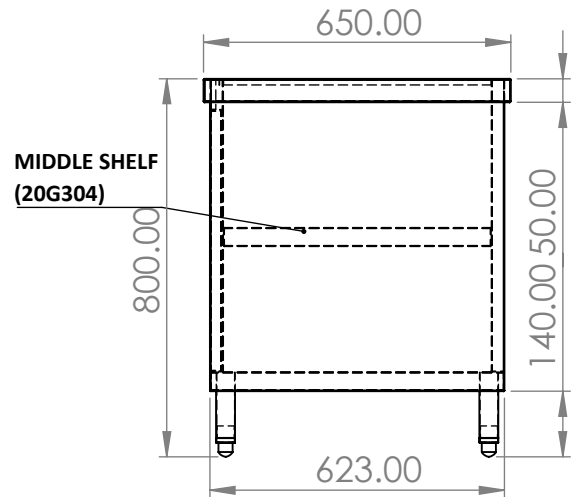
TOP VIEW



ISOMETRIC VIEW



FRONT VIEW



SIDE VIEW

POS COUNTER WITH LEFT & RIGHT
SIDE COVERED WITH DOOR

SIZE :- 550X650X800

QTY:- 1PCS

4

3

2

1

D

D

C

C

B

B

A

A

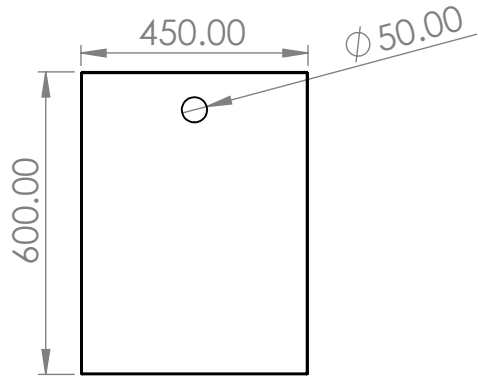
4

3

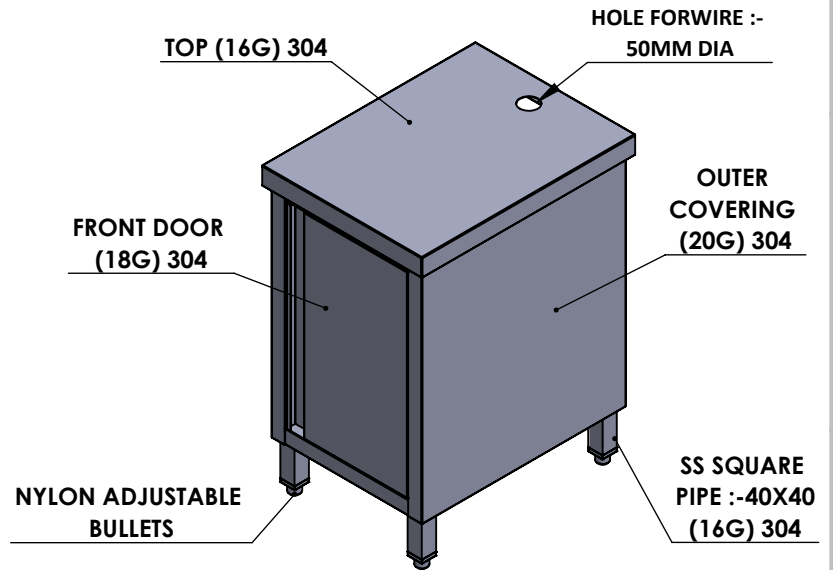
2

1

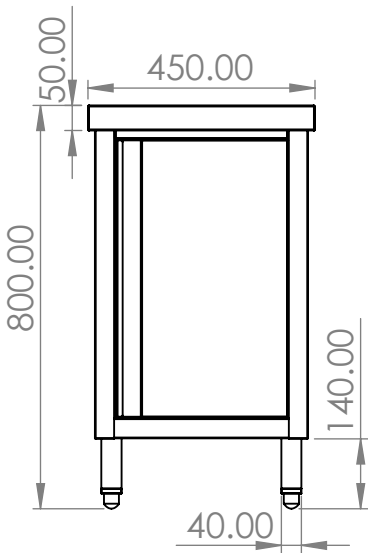
SIZE :- 450X600X800
QTY :- 1PCS



TOP VIEW

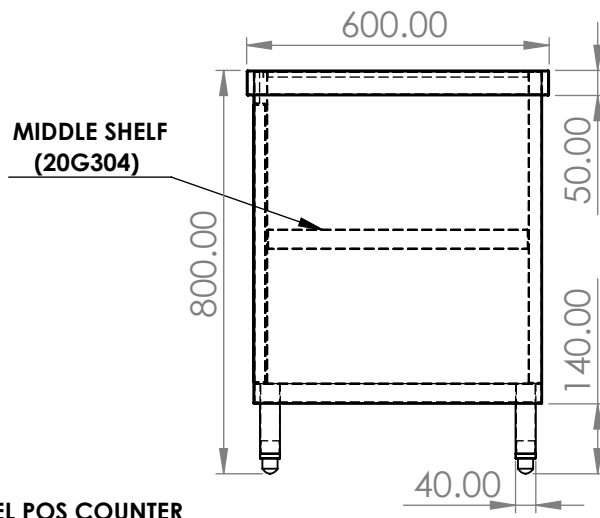


ISOMETRIC VIEW

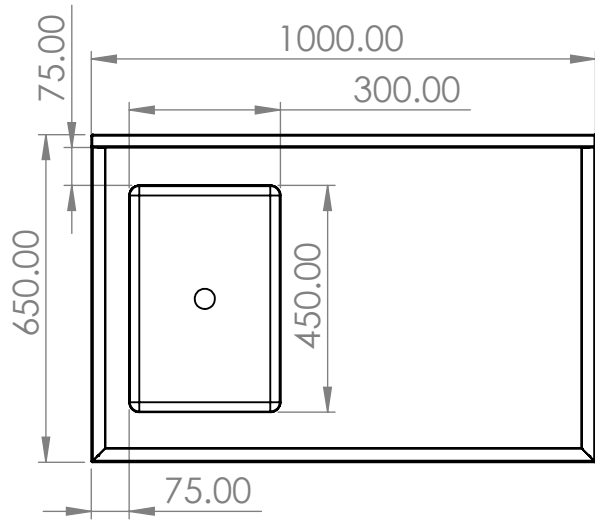


FRONT VIEW

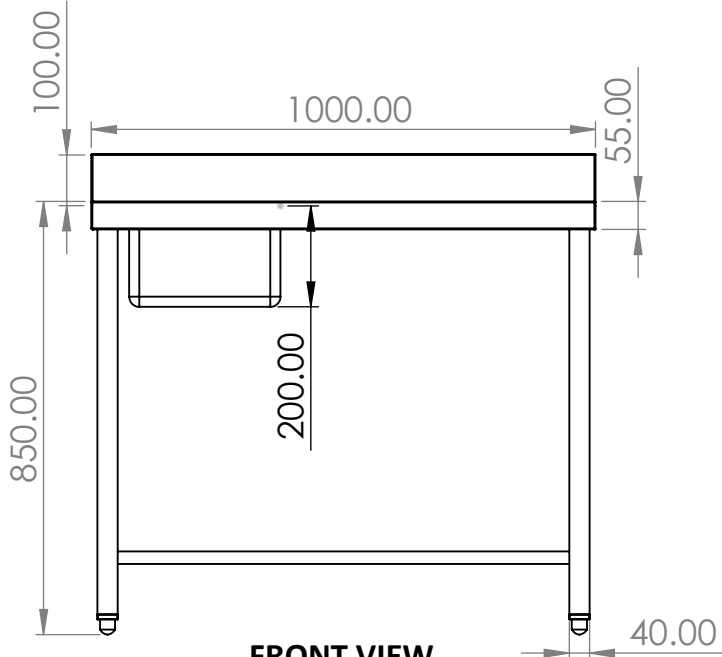
STAINLESS STEEL POS COUNTER
LEFT & RIGHT SIDE COVERED &
BACKSIDE OPEN WITH DOORS



SIDE VIEW



TOP VIEW

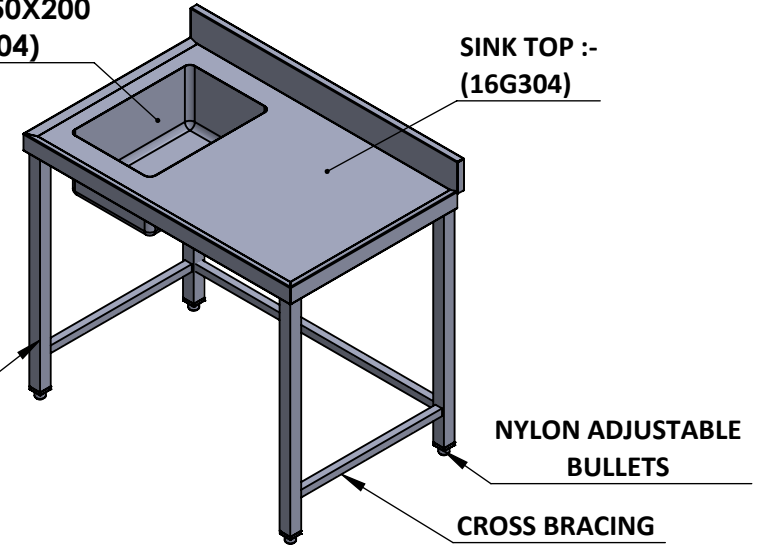


FRONT VIEW

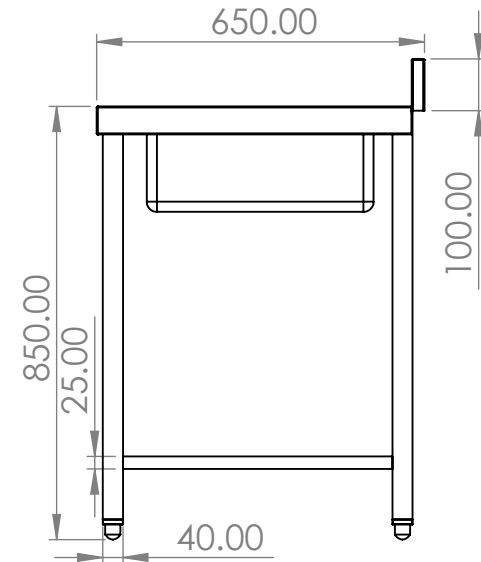
**SINK SIZE :-
300X450X200
(16G 304)**

**SIZE :- 1000X650X850+100
QTY :- 1PCS**

**SS SQUARE PIPE
40X40(16G 304)**



ISOMETRIC VIEW



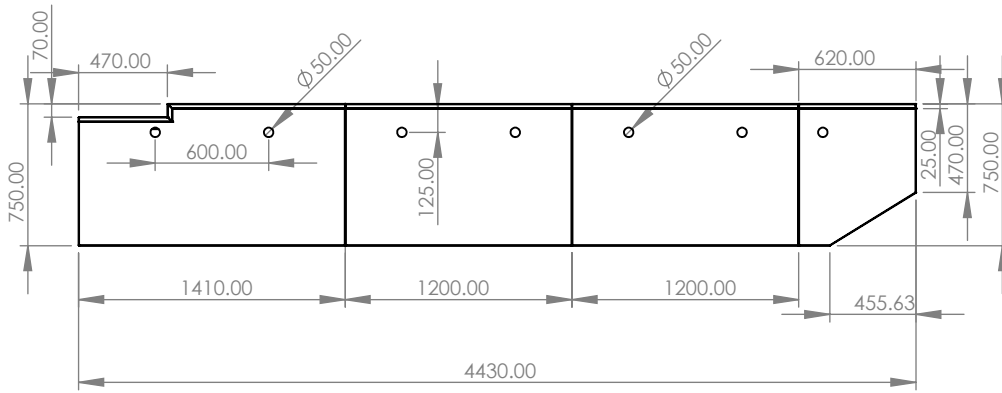
SIDE VIEW

**STAINLESS STEEL SINK TABLE WITH
CROSS BRACING**

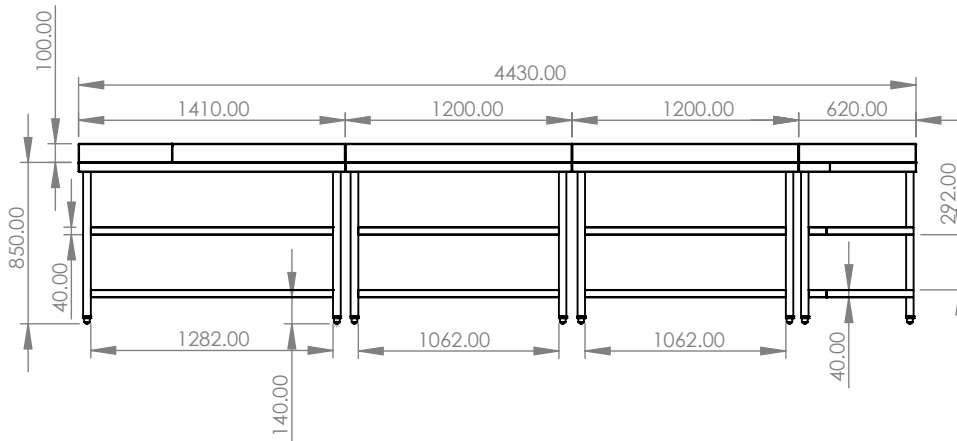
**NYLON ADJUSTABLE
BULLETS**

CROSS BRACING

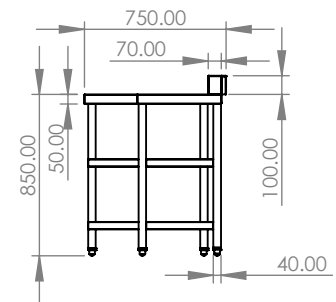
**SINK TOP :-
(16G304)**



TOP VIEW



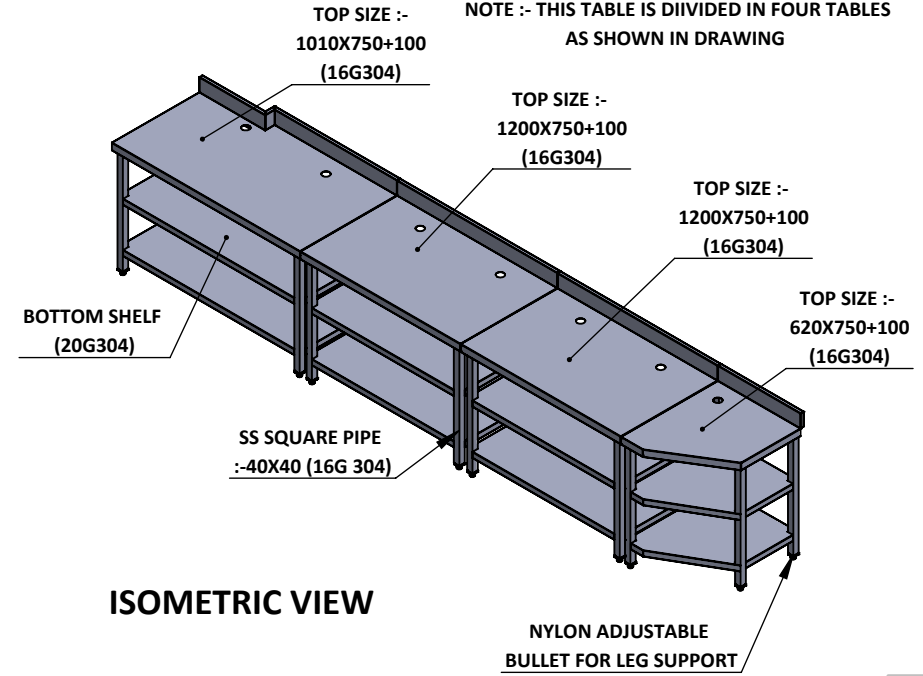
FRONT VIEW



SIDE VIEW

SIZE :- 4430X750X850+100

NOTE :- THIS TABLE IS DIVIDED IN FOUR TABLES AS SHOWN IN DRAWING



ISOMETRIC VIEW

STAINLESS STEEL WORK TABLE WITH TWO UNDERSHELVE

5

4

3

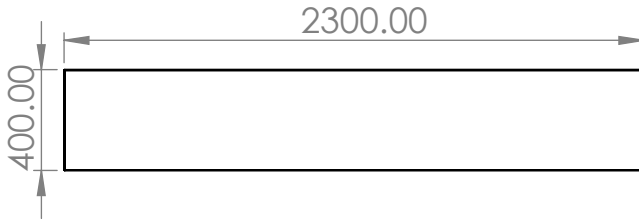
2

1

SIZE :- 2300X400X50
QTY :- 1PCS

C

C

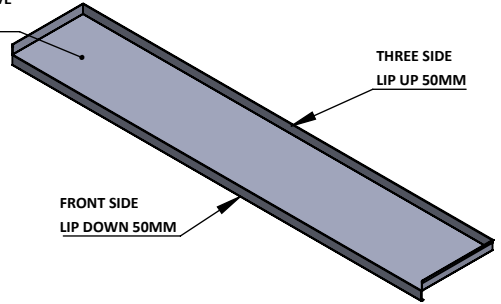


TOP VIEW

WALL SHELVES
(20G 304)

THREE SIDE
LIP UP 50MM

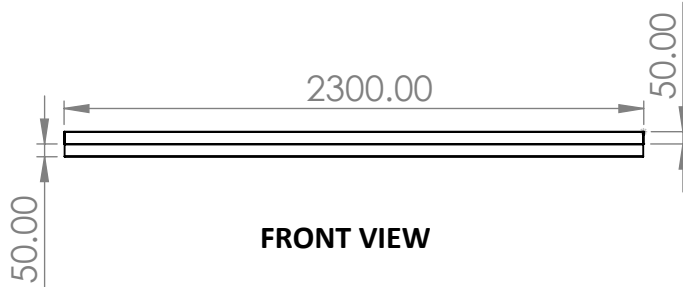
FRONT SIDE
LIP DOWN 50MM



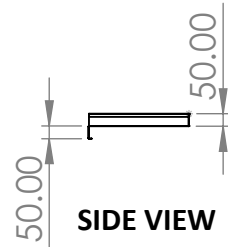
ISOMETRIC VIEW

B

B



FRONT VIEW



SIDE VIEW

A

A

STAINLESS STEEL WALL MOUNTED SHELVES
THREE SIDE UP AND FRONT SIDE DOWN LIP

5

4

3

2

1