



Travel Food Services

# TRAVEL FOOD SERVICES

Shiv Sagar Estate, A Block, 1st Floor, Dr  
Annie Besant Rd, Worli, Mumbai,  
Maharashtra 400018

TITLE

BIRYANI  
CONCEPT

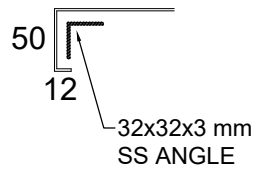
PROJECT

FC DELHI - T1

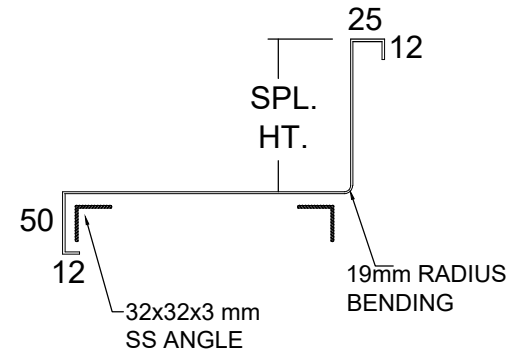
# TRAVEL FOOD SERVICES

## FABRICATION DETAIL

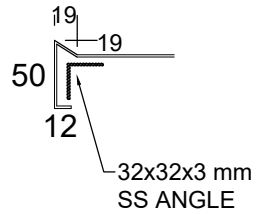
PLAIN TOP



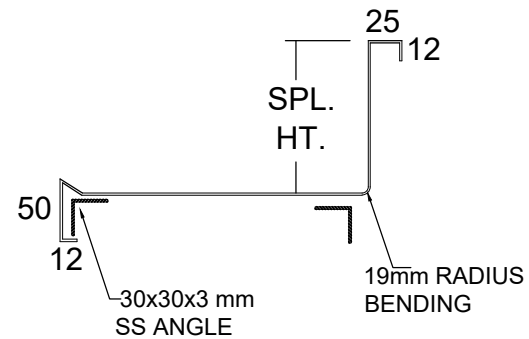
PLAIN TOP WITH SPLASH DETAILS




SUNK IN TOP



SUNK-IN TOP WITH SPLASH DETAILS



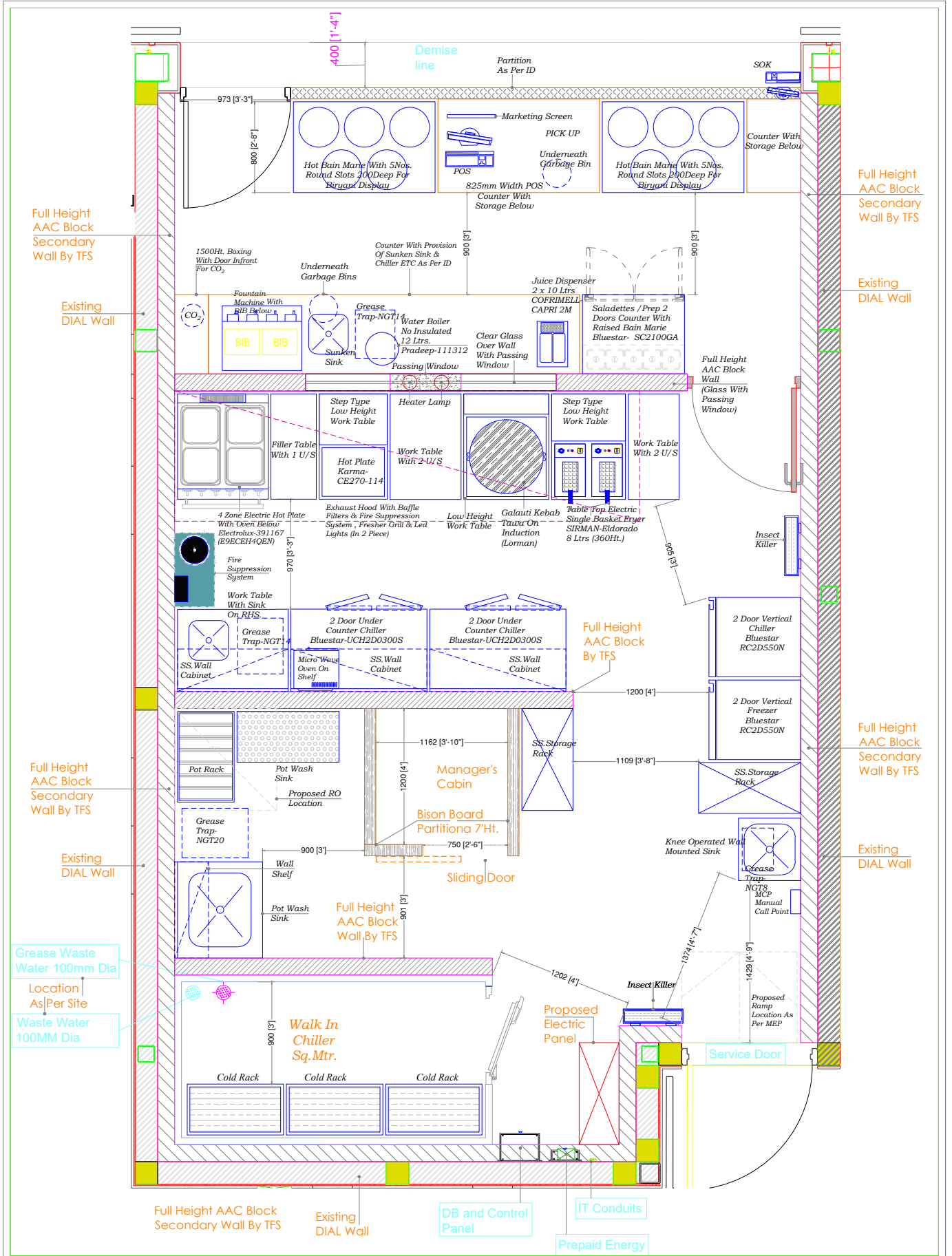
TITLE :	BIRYANI CONCEPT	REV. NO :	---	DESIGN BY	Sign	 Travel Food Services
		DATE :	13-11-2024	DWN. BY : FAHEEM		
PROJECT :	FC - DELHI - T1	SCALE :	N.T.S.	CHKD BY: SAEED K.		
				APRVD BY:		

SR.No.	Eq.No.	DESCRIPTION	BRAND/MODEL NO	DIMENSIONS(L x W x HT)	QTY	ELECTRIC SUPPLY	Per Kw	TOTAL KW	AMPS	TYPE OF SWITCH
<b>FOH AREA</b>										
1	BK-01	POS	STD	IT	1	1PH	1.00	1.0	5 / 15 Amp	Switch Socket
2	BK-02	MARKETING SCREEN	MARKETING	STD	1					
3	BK-03	UNDERNEATH GARBAGE BIN	SOE	STD (BY OPS)	1					
4	BK-04	POS COUNTER WITH STORAGE BELOW	AS PE INTERIOR/CARPENTRY	1425 x 825 x 850Ht.	1					
5	BK-05	SS HOT BAIN MARIE FOR BIRYANI DISPLAY WITH 5Nos.ROUND SLOTS OF 350DIA x200Deep PANLE AT FRONT	FABRICATED	1250 x 800 x 850Ht.	2	1PH	3.00	6.0	32	Metal Clad
6	BK-06	COUNTER WITH STORAGE BELOW	AS PE INTERIOR/CARPENTRY	475 x 825 x 850Ht.	1					
7	BK-07	SALADETTES /PREP 2 DOORS COUNTER WITH RAISED BAIN MARIE	BLUESTAR- SC2100GA	900 x 700 x 990	1	1PH	1.00	1.0	5 / 15 Amp	Switch Socket
8	BK-08	JUICE DISPENSER 2 X 10 Ltrs.	COFRIMELL-CAPRI 2M	270 x 400 x 680	1	1PH	1.00	1.0	5 / 15 Amp	Switch Socket
9	BK-09	BACK SIDE COUNTER WITH PROVISION FOR FOUNTAIN BIBs, SUNK IN SINK & STORAGE	AS PE INTERIOR/CARPENTRY	3270 x 700 x 850 Ht.	1					
10	BK-10	WATER BOILER NO INSULATED 12 LTRS.	PRADEEP-111312	290 DIA x 560Ht.	1	1PH	3.00	3.0	5 / 15 Amp	Switch Socket
11	BK-11	GREASE TRAP	NUGREEN-NGT 14	337x404 x 303Ht.	1					
12	BK-12	SUNK IN SINK (BOWL SIZE-350x350x250 Deep)	CIVIL CARPENTRY WORK	350 x 350 x 250Deep	1					
13	BK-13	UNDERNEATH GARBAGE BIN	SOE	STD (BY OPS)	1					
14	BK-14	FOUNTAIN MACHINE 4 TAP	RENTAL SOE/OPS	550 x 610 x 645Ht.	1	1PH	0.50	0.5	5 / 15 Amp	Switch Socket
15	BK-15	1500 Ht.BOXING WITH DOOR IN FRONT FOR Co <sub>2</sub> Cylinde	CARPENTRY WORK AS PER INTERIOR DESIGNER	300 x 700 x 1500Ht.	1					
16	BK-16	CO2 CYLINDER (1 FOR FOUNTAIN MACHINE )	SOE/OPS	STD	1					
17	BK-17	4 ZONE ELECTRIC HOT PLATE WITH OVEN BELOW	ELECTROLUX-391167 (E9ECEH4QEN)	800 x 930 x 850	1	3PH	22.00	22.0	5 PIN POLE INDUSTRIAL SOCKET	MCB
18	BK-18	SS WORK TABLE WITH 2 U/S	FABRICATED	400 x 930 x 850 +50SPL	1					
19	BK-19	TABLE TOP HOT PLATE	KARMA-CE270-114	550 x 430 x 240	1	1PH	3.00	3.0	32	Metal Clad
20	BK-20	SS WORK TABLE WITH 1 U/S STEP TYPE	FABRICATED	600 x 930 x 610 & 850 (ON BACK)+50SPL	1					
21	BK-21	EXHAUST HOOD WITH BAFFLE FILTERS & FIRE SUPPRESSION SYSTEM , FRESHER GRILL & LED LIGHTS (BOX TYPE) IN 2 PARTS	FABRICATED	4100 x 1100 x 600Ht. ( Made in 2 parts )	1	1PH	1.00	1.0	5 / 15 Amp	Switch Socket
22	BK-22	SS WORK TABLE WITH 2 U/S	FABRICATED	625 x 930 x 850 +50SPL	1					
23	BK-23	SS LOW HIEGHT TABLE WITH CROSS SUPPORT	FABRICATED	750 x 800 x 500 & 850 (ON BACK)+50SPL	1					
24	BK-24	TABLE TOP INDUCTION FOR KEBAB WITH TAWA	LORMAN-LT-PT-28	700 x 700 x 350Ht.	1	1PH	3.50	3.5	32	Metal Clad
25	BK-25	SS TABLE TOP ELECTRICAL SINGLE DEEP FAT FRYER	SIRMAN ELDORADO-BLTR	270 x 420 x 360	2	1PH	3.30	6.6	32	Metal Clad
26	BK-26	SS WORK TABLE WITH 1 U/S STEP TYPE	FABRICATED	650 x 830 x 490 & 850Ht. (ON BACK)+50SPL	1					
27	BK-27	SS WORK TABLE WITH 2 U/S	FABRICATED	450 x 930 x 850 +50SPL	1					

FC-DELHI-T1

28	BK-28	SS WORK TABLE WITH SINK ON RHS W / 2 OHS & CROSS SUPPORT BELOW	FABRICATED	975 x 700 x 850 + 150	1					
29	BK-28a	GREASE TRAP	NUGREEN-NGT 14	337x 404 x 303Ht.	1					
30	BK-29	MENUMASTER OVEN 25 LTR	RMS 510 TSIA	500 x 425 x 325	1	1PH	1.60	1.6	5 / 15 Amp	Switch Socket
31	BK-30	2 DOOR U/C CHILLER. WITH LOCKABLE CASTOR WHEELS (2 Nos.WITH BREAK INFRONT & 2 Nos. WITHOUT BREAK) & HEATING ELEMENT FOR DRAIN	Bluestar- 4 Feet UCH2D0300S	1200 x 700 x 850	2	1PH	1.00	2.0	5 / 15 Amp	Switch Socket
32	BK-31	WALL SHELF	FABRICATED	1200 X 375	2					
33	BK-32	2 DOOR VERTICAL CHILLER WITH LOCKABLE CASTOR WHEELS (2 Nos.WITH BREAK INFRONT & 2 Nos. WITHOUT BREAK) & HEATING ELEMENT FOR DRAIN	BLUE STAR-RC2D550N	700 x 765 x 1997	1	1PH	1.00	1.0	5 / 15 Amp	Switch Socket
34	BK-33	2 DOOR VERTICAL FREEZER WITH LOCKABLE CASTOR WHEELS (2 Nos.WITH BREAK INFRONT & 2 Nos. WITHOUT BREAK) & HEATING ELEMENT FOR DRAIN	BLUESTAR- RF2D550N	700 x 765 x 1997	1	1PH	1.00	1.0	5 / 15 Amp	Switch Socket
35	BK-34	SS STORAGE RACK 4 TIER SHELF	FABRICATED	900 x 450 x 1800	2					
36	BK-35	KNEE OPERATED HAND WASH SINK WITH HOT & COLD WATER CONNECTION & WITH TISSUE HOLDER & SOAP DISPENSER PROVISION OPEN FROM BACK SIDE & DOOR INFRONT	FABRICATED	550 x 550 x 300+450Spl.	1					
37	BK-35a	GREASE TRAP	NUGREEN-NGT8	262 x 355 x 280Ht.	1					
38	BK-36	SS DISH RACK 4 TEIR	FABRICATED	900 x 450 x 1600	1					
39	BK-37	SS POT RACK 4 TEIR ON WHEEL	FABRICATED	800 x 500 x 1600	1					
40	BK-38	GREASE TRAP	NUGREEN-NGT 40	362 x 503 x 303Ht.	1					
41	BK-39	POT WASH SINK WITH CROSS SUPPORT	FABRICATED	850 x 750 x 850 + 150	1	1PH	3.30	3.3	32	Metal Clad
42	BK-40	WALL SHELF	FABRICATED	850 x 375	1					
43	BK-41	WALKIN CHILLER	REVAC/BLUESTAR OR EQUIVALENT	2800 x 1500	1	1PH	3.00	3.0	5 / 15 Amp	Switch Socket
44	BK-42	4 TIER - MOBILE CHILLER STORAGE RACK (36" X 21")	FABRICATED	850 x 450 x 1500	3					
<b>Total Kw-A</b>								<b>60.5</b>		





SHEET DETAIL					REVISION REASON				
PROJECT	LOCATION	DRAWN BY	START DATE	DRAWING NAME	SHEET NUMBER	REVISION No.	DATE	REASON	GFC ISSUED
BIRYANI CONCEPT	FOOD COURT DELHI-T1	SCALE NTS	11-10-24	EQUIPMENT NAMING LAYOUT	01 OF 07	R0	11-10-24	First Cut Layout	08-11-24
						R1	17-10-24	As Per Dial Comments	
						R2	30-10-24	As Per Dial Comments	



INHOUSE DESIGN

# TRAVEL FOOD SERVICES

Eq.No :BK-05

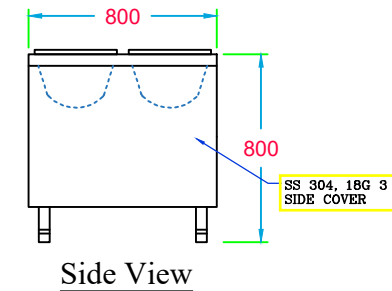
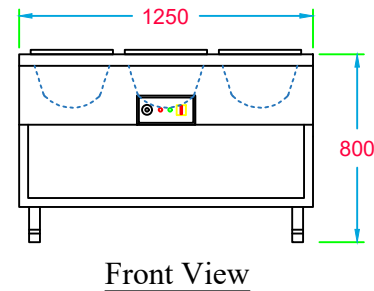
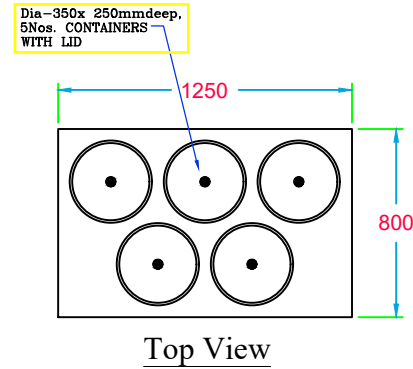
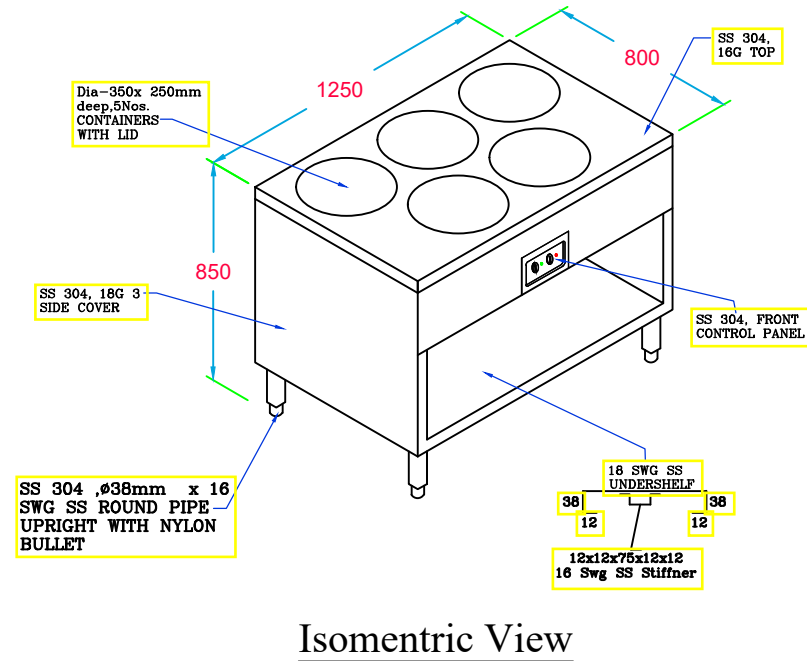
SS HOT BAIN MARIE FOR BIRYANI DISPLAY WITH  
5Nos.ROUND SLOTS OF 350DIA x200Deep PANLE AT FRONT

Over All Size:- 1250 x 800 x 850Ht.

Qty:- 02Nos.

**DRAWING :**     DIMENSIONS ARE IN MM

3KW HEATER & CUTOFF  
VALVE FIXED IN TANK



TITLE :	BIRYANI CONCEPT	REV. NO :	---	DESIGN BY	Sign	 Travel Food Services
		DATE :	13-11-2024	DWN. BY : FAHEEM		
PROJECT :	FC - DELHI - T1	SCALE :	N.T.S.	CHKD BY: SAEED K.		
				APRVD BY:		

# TRAVEL FOOD SERVICES

Eq.No :BK-07

**SALADETTES /PREP 2 DOORS COUNTER WITH  
RAISED BAIN MARIE ( BLUESTAR- SC2100GA )**

Over All Size:- 1250 x 800 x 850Ht.

Qty:- 01No.

**DRAWING :**     DIMENSIONS ARE IN MM

Technical Specifications		
Saladettes and Sandwich Stations		
Description	SC2100GA	SC3100GA
Capacity (Ltrn)	260	400
No. of Doors (Nos.)	2	3
Type of Doors (Inn./Out)	SS-201/201	SS-201/201
Temperature Range/°C	2°-+8°C	2°-+8°C
Shelves Qty (Nos.)	2	3
Gr. Pan	GN2/1	GN2/1
Topping Pan Slot	YES	YES
Refrigerant Gas (Type/Charge)	R290/5kg	R290/6kg
Voltage Supply & Frequency (V/Hz)	230-240V/50Hz	230-240V/50Hz
Max Input Power	143W	152W
Current Amps	1.1A	1.5A
Defrost	Automatic	Automatic
Thermostat	Digital	Digital
External Dimension (W x D x H) mm	900 x 700 x 990	1360 x 700 x 990
Net Weight (kg)	72	110
Gross Weight (kg)	83	130




<b>TITLE :</b>	<b>BIRYANI CONCEPT</b>	<b>REV. NO :</b>	---	<b>DESIGN BY</b>	Sign
		<b>DATE :</b>	13-11-2024	<b>DWN. BY :</b> FAHEEM	
<b>PROJECT :</b>	<b>FC - DELHI - T1</b>	<b>SCALE :</b>	N.T.S.	<b>CHKD BY :</b> SAEED K.	
				<b>APRVD BY :</b>	



Travel Food Services

## TRAVEL FOOD SERVICES

Eq.No :BK-08

JUICE DISPENSER 2 X 10 Ltrs.  
( COFRIMELL- CAPRI 2M )

Over All Size:- 270 x 400 x 680Ht.

Qty:- 01No.

**DRAWING :**     DIMENSIONS ARE IN MM



**Clear, food-grade, unbreakable polycarbonate bowl, which easily pulls off for cleaning operation. Coming with litre stickers for exact beverage preparation.**

**Mixing system for “M” Models**

**Paddle system stirring by delrin paddles, avoiding froth and beverages oxidation.**

**For “S” Models**

**Electromagnetic pump, manufactured with food-grade materials.**

**Drink Cooling**

**Specially engineered by Cofrimell, in stainless steel, performing faster cooling than normal.**

Forced-air cooled, hermetic compressor.


Dispensing Tap : Two pieces, no drip, stainless steel tap.

Temperature Control

Adjustable thermostatic system.

Chassis and Panels

All stainless steel and ABS.

TITLE :	BIRYANI CONCEPT	REV. NO :	---	DESIGN BY	Sign	 Travel Food Services
		DATE :	13-11-2024	DWN. BY : FAHEEM		
PROJECT :	FC - DELHI - T1	SCALE :	N.T.S.	CHKD BY: SAEED K.		
				APRVD BY:		

## TRAVEL FOOD SERVICES

Eq.No :BK-10

WATER BOILER NO INSULATED 12  
LTRS.( PRADEEP-111312)

Over All Size:- 290 DIA x 560Ht.

Qty:- 01No.

**DRAWING :**     DIMENSIONS ARE IN MM



water level indicators, easy refill, stainless steel hot water tap (to be able to easily use the hot water), (Capacity 12 Liters)  
Model code : 111312,

Category : Hot Water

Machine cleaning options : Manual

Dispensing ratio (mixing volume) control : Manual

Temperature control available: Yes

Brew options : Manual

capacity : 12 Liters


Water tank capacity : 12 liters

Outer Body : Stainless steel

Intial machine set up time Ready Water : 5 liters to 25  
Minutes / 12 liters to 35 Minutes / 20 liters to 50 Minutes /  
30 liters to 1.20 Minutes

Required power supply : 220 to 240V AC, 15A, 50HZ

Power Consumption : 2400 Watts

TITLE :	BIRYANI CONCEPT	REV. NO :	---	DESIGN BY	Sign	 Travel Food Services
		DATE :	13-11-2024	DWN. BY : FAHEEM		
PROJECT :	FC - DELHI - T1	SCALE :	N.T.S.	CHKD BY: SAEED K.		
				APRVD BY:		

# TRAVEL FOOD SERVICES

Eq.No :BK-11

GREASE TRAP  
( NUGREEN-NGT 14)


Over All Size:- 337x 404 x 303Ht.

Qty:- 01No.

**DRAWING :**     DIMENSIONS ARE IN MM



Nugreen Grease separator " NGT 8/14/20/30/40/50/70/100 "									
Grease Trap S5 304	Inlet/Outlet (mm)	Holding Capacity (Litre)	Flow (Lit/min)	Bottom to Centre of Inlet (A) (mm)	Bottom to Centre of outlet (B) (mm)	Width (mm)	Length (mm)	Height (mm)	Grease capacity (kg)
NGT 8	50	15.9	18	177	177	262	355	280	3
<b>NGT 14</b>	<b>50</b>	<b>25.5</b>	<b>28</b>	<b>203</b>	<b>193</b>	<b>337</b>	<b>404</b>	<b>303</b>	<b>7</b>
NGT 20	60	34.3	38	203	193	362	503	303	9
NGT 30	75	47.5	57	256	246	400	512	343	13
NGT 40	87.5	57.5	75.5	287	277	400	562	375	18
NGT 50	87.5	72	95	300	290	437	612	412	23
NGT 70	87.5	104	132	353	343	450	712	481	32
NGT 100	112	156	189	406	396	556	762	537	45

TITLE :	BIRYANI CONCEPT	REV. NO :	---	DESIGN BY	Sign	 Travel Food Services
		DATE :	13-11-2024	DWN. BY : FAHEEM		
PROJECT :	FC - DELHI - T1	SCALE :	N.T.S.	CHKD BY: SAEED K.		
				APRVD BY:		



# TRAVEL FOOD SERVICES

Eq.No :BK-17

## 4 ZONE ELECTRIC HOT PLATE WITH OVEN BELOW ( ELECTROLUX-391167 (E9ECEH4QEN)

Over All Size:- 800 x 930 x 850

Qty:- 01No.

**DRAWING :** DIMENSIONS ARE IN MM



Modular Cooking Range Line  
900XP 4 Electric Hot Plate Range  
on Electric Oven

ITEM # \_\_\_\_\_  
MODEL # \_\_\_\_\_  
NAME # \_\_\_\_\_  
SIS # \_\_\_\_\_  
AIA # \_\_\_\_\_



391041 (E9ECEH4QE0) 4-Hot Square Plates (4 kW each) electric Range on electric Oven (6 kW)  
391167 (E9ECEH4QEN) 4-Hot Plate (4 kW each) electric Range on electric Oven (6 kW)

**Short Form Specification**

**Item No.**

Unit to be Electrolux Professional 900XP four 4kW electric hot plate range on electric oven. Electric characteristics to be \_400V or \_230V. Unit to be installed on stainless steel feet with height adjustment up to 50 mm. Unit to have cast-iron hot plates hermetically sealed to the one-piece top. Oven chamber with 3 levels of runners to accommodate 2/1 GN shelves (2 steam pans). Unit to have ribbed, cast-iron oven base plate. Exterior panels of unit in Stainless steel with Scotch Brite finish. Extra strength work top in heavy duty 2 mm Stainless steel. Unit has right-angled side edges to allow flush-fitting junction between units.

**Main Features**

- Unit to be mounted on stainless steel feet with height adjustment up to 50 mm. Unit can be easily mounted on cantilever systems.
- The four 4kW electric cast-iron hot plates are hermetically sealed to the one piece top and are featured with safety thermostat.
- Base compartment consists of an electric standard oven with 40 mm thick oven door for heat insulation, positioned beneath the base plate.
- Oven chamber with 3 levels of runners to accommodate 2/1 GN shelves (2 steam pans).
- Ribbed cast iron oven base plate.
- Oven to feature separate thermostats for top and bottom elements. Thermostat temperature adjustable from 100°C to 285°C.
- The special design of the control knob system guarantees against water infiltration.
- IPX5 water protection.
- Top configuration allows installation on ambient base only (not possible to install on refrigerated nor freezer base).
- Oven thermostat adjustable from 100 °C to 300 °C.

**Construction**

- Unit is 930 mm deep to give a larger working surface area.
- All exterior panels in Stainless Steel with Scotch Brite finishing.
- AISI 304 stainless steel worktop, 2mm thick.
- Model has right-angled side edges to allow flush fitting joints between units, eliminating gaps and possible dirt traps.

**Included Accessories**

- 1 of GN2/1 chrome grid for static oven PNC 164250

**Optional Accessories**

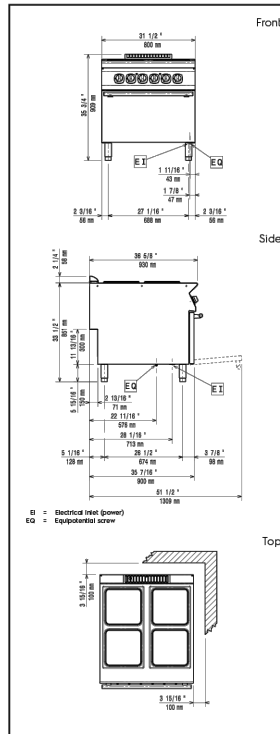
- GN2/1 chrome grid for static oven PNC 164250
- Pair of cast iron plate bars for electric cooking top PNC 206056
- Junction sealing kit PNC 206086
- Kit 4 wheels - 2 swivelling with PNC 206135
- brake - It is mandatory to install Base support and wheels PNC 206136
- Flanged feet kit PNC 206148
- Frontal kicking strip for concrete installation, 800mm PNC 206148

APPROVAL:

Experience the Excellence  
www.electroluxprofessional.com



Modular Cooking Range Line  
900XP 4 Electric Hot Plate Range  
on Electric Oven



**Electric**

Supply voltage: 380-400 V/3N ph/50/60 Hz

391041 (E9ECEH4QE0) 230 V/3 ph/50/60 Hz

391167 (E9ECEH4QEN) 22 kW

Electrical power max: 22 kW

Total Watts: 22 kW

Predisposed for: 380-400V 3N- 50/60Hz

20-22kW

**Key Information:**

Front Plates Power: 4 - 4 kW

Back Plates Power: 4 - 4 kW

Front Plates dimensions: 300x300 300x300

Back Plates dimensions: 300x300 300x300

Oven Heat input: 6 kW

Oven working Temperature: 100 °C MIN; 300 °C MAX

Oven Cavity Dimensions (width): 575 mm

Oven Cavity Dimensions (height): 300 mm

Oven Cavity Dimensions (depth): 700 mm

External dimensions, Width: 800 mm

External dimensions, Depth: 930 mm

External dimensions, Height: 850 mm

Net weight:

391041 (E9ECEH4QE0) 120 kg

391167 (E9ECEH4QEN) 145 kg

Shipping weight:

391041 (E9ECEH4QE0) 142 kg

391167 (E9ECEH4QEN) 170 kg

Shipping height:

391041 (E9ECEH4QE0) 1080 mm

391167 (E9ECEH4QEN) 1120 mm

Shipping width:

391041 (E9ECEH4QE0) 1020 mm

391167 (E9ECEH4QEN) 860 mm

Shipping volume:

391041 (E9ECEH4QE0) 0.95 m³

391167 (E9ECEH4QEN) 0.98 m³

If appliance is set up or next to or against temperature sensitive furniture or similar, a safety gap of approximately 150 mm should be maintained or some form of heat insulation fitted.

**Certification group:**

391041 (E9ECEH4QE0) EH94G

391167 (E9ECEH4QEN) NPCE1



Modular Cooking Range Line  
900XP 4 Electric Hot Plate Range on Electric Oven

The company reserves the right to make modifications to the products without prior notice. All information correct at time of printing.

20241018

TITLE :	BIRYANI CONCEPT	REV. NO :	---	DESIGN BY	Sign	
		DATE :	13-11-2024	DWN. BY :	FAHEEM	
		SCALE :	N.T.S.	CHKD BY :	SAEED K.	
PROJECT :	FC - DELHI - T1			APRVD BY :		

# TRAVEL FOOD SERVICES

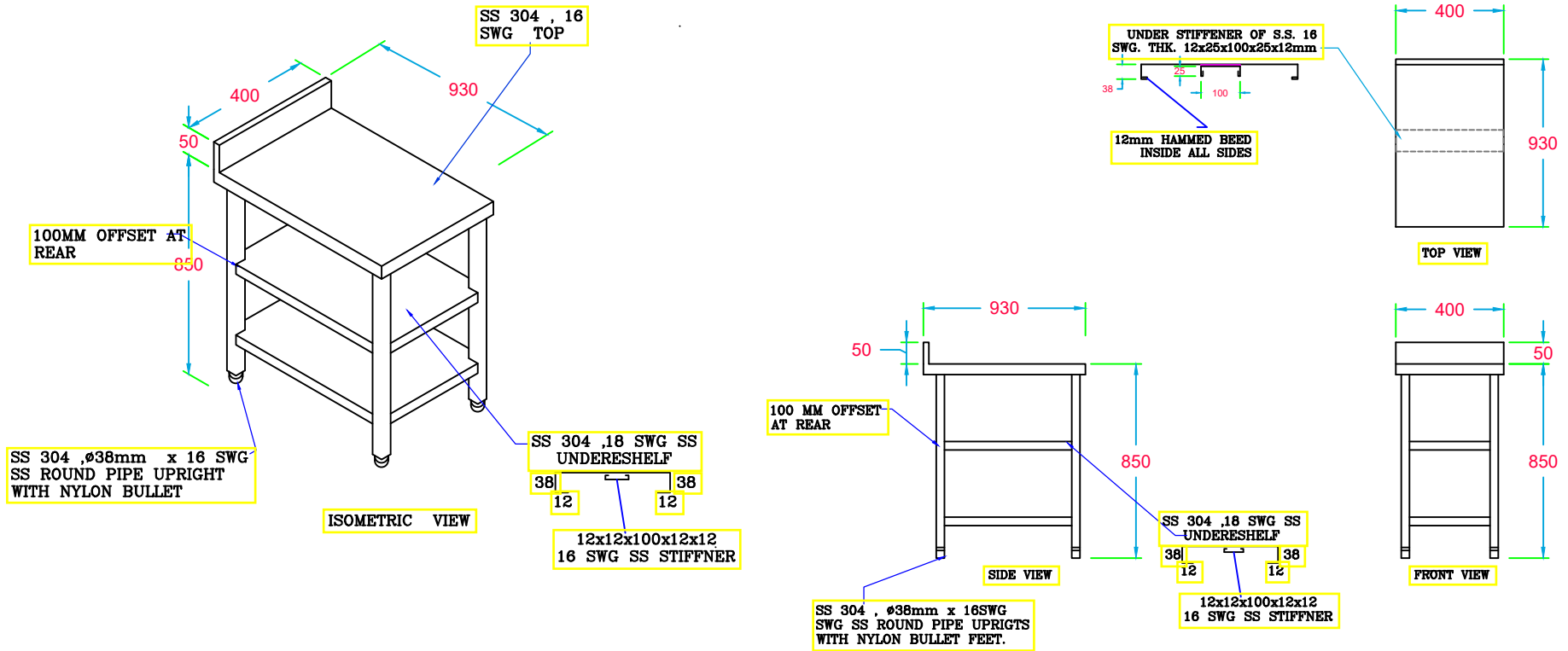
Eq.No :BK-18

SS WORK TABLE  
WITH 2 U/S


Over All Size:- 400 x 930 x 850 +50SPL

Qty:- 01No.

DRAWING : DIMENSIONS ARE IN MM



TITLE :	BIRYANI CONCEPT	REV. NO. :	---	DESIGN BY	Sign
		DATE :	13-11-2024	DWN. BY : FAHEEM	
		SCALE :	N.T.S.	CHKD BY: SAEED K.	
PROJECT :	FC - DELHI - T1			APRVD BY:	



Travel Food Services



# TRAVEL FOOD SERVICES


Eq.No :BK-19

TABLE TOP HOT PLATE  
( KARMA-CE270-114 )


Over All Size:- 550 x 430 x 240

Qty:- 01No.


DRAWING : DIMENSIONS ARE IN MM




**Electric Griddle**




CE270-114



CE270-115




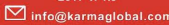

CE270-116



CE270-117

Model	CE270-114	CE270-115	CE270-116	CE270-117
Description	Electric Griddle	Electric Griddle	Electric Griddle	Electric Griddle
Power (KW/BTU)	3.0KW	4.4KW	3.0KW	4.4KW
Volts	220V/50Hz	220V/50Hz	220V/50Hz	220V/50Hz
Plate	Flat	Flat	Grooved	Flat & Grooved
Dimensions (mm)	550x430x240	730x470x240	550x430x240	670x540x1015
N.W. (kg)	24	34	24	32
Certificate	CE	CE	CE	CE


2017 V. 1.0

## MODEL- CE270-114

These steel fry tops are ideal for dosas, chillas, meat, bacon, fish, fried eggs, omlettes and a wide range of preparations.

TITLE :	BIRYANI CONCEPT	REV. NO :	---	DESIGN BY	Sign
		DATE :	13-11-2024	DWN. BY : FAHEEM	
PROJECT :	FC - DELHI - T1	SCALE :	N.T.S.	CHKD BY: SAEED K.	
				APRVD BY:	



# TRAVEL FOOD SERVICES

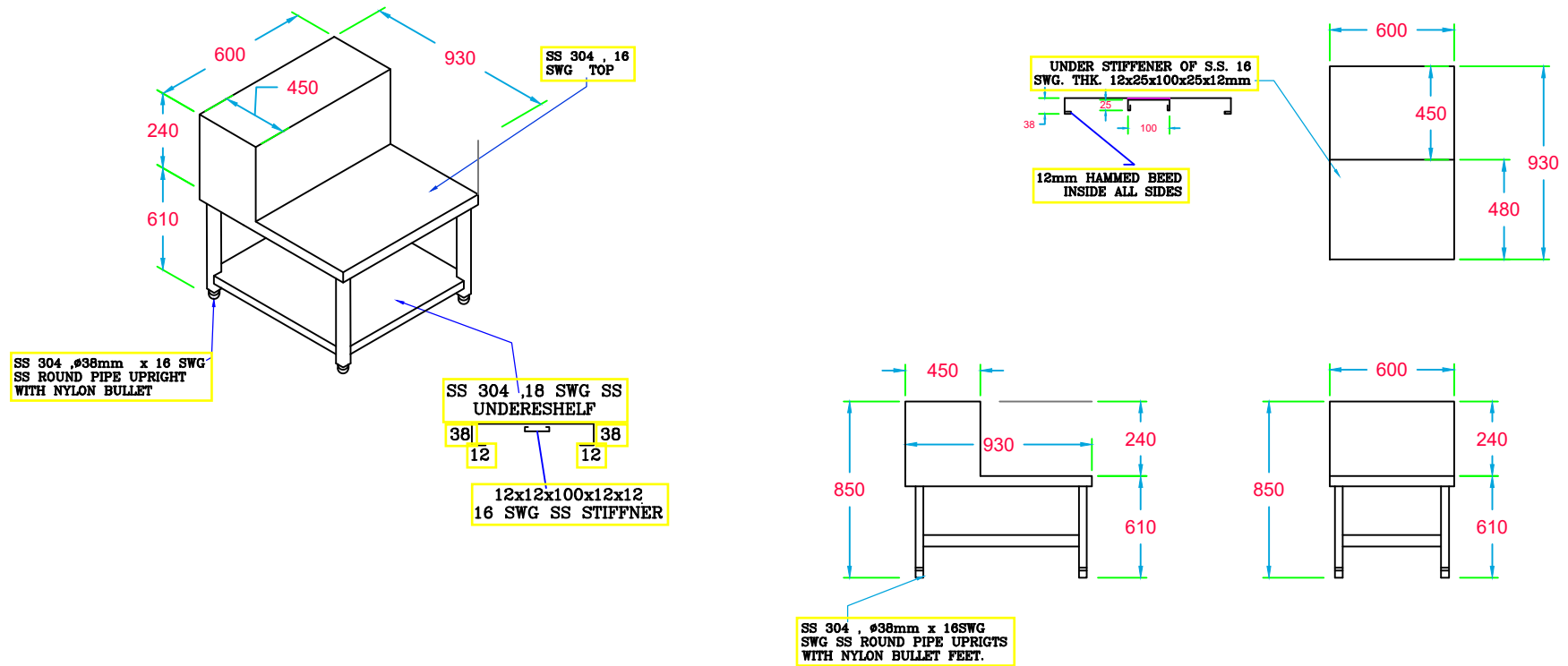
Eq.No :BK-20

SS WORK TABLE WITH  
1 U/S STEP TYPE

Over All Size:- 600 x 930 x 610 & 850 (ON BACK)+50SPL

Qty:- 01No.

**DRAWING :**     DIMENSIONS ARE IN MM



TITLE :	BIRYANI CONCEPT	REV. NO :	---	DESIGN BY	Sign
		DATE :	13-11-2024	DWN. BY : FAHEEM	
PROJECT :	FC - DELHI - T1	SCALE :	N.T.S.	CHKD BY: SAEED K.	
				APRVD BY:	



# TRAVEL FOOD SERVICES

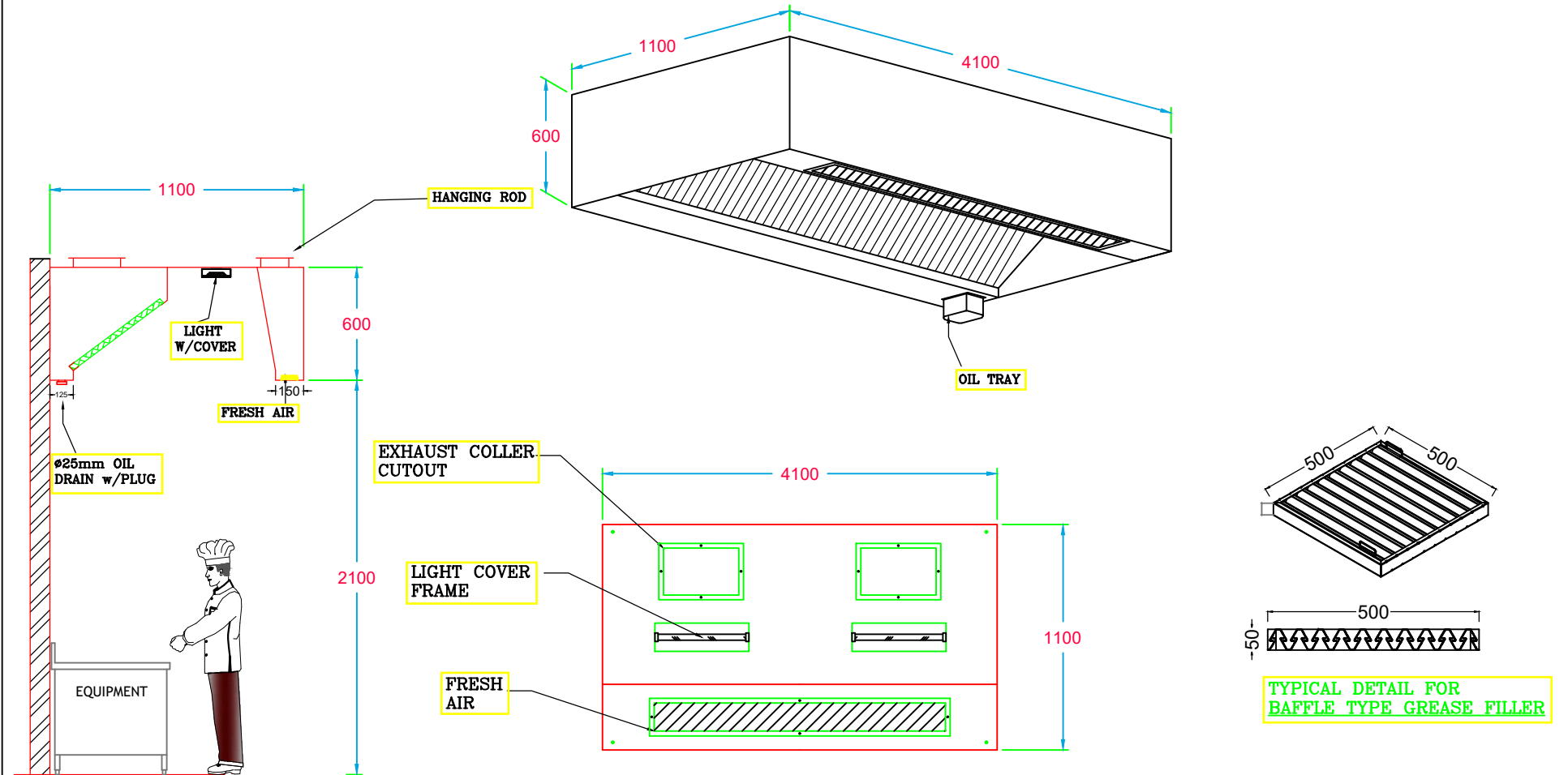
Eq.No :BK-21

**EXHAUST HOOD WITH BAFFLE FILTERS & FIRE SUPPRESSION SYSTEM , FRESHER GRILL & LED LIGHTS (BOX TYPE) IN 2 PARTS**

Over All Size:- 4100 x 1100 x 600Ht. ( Made in 2 parts )

Qty:- 01No.

**DRAWING :**     DIMENSIONS ARE IN MM



TITLE :	BIRYANI CONCEPT	REV. NO :	---	DESIGN BY	Sign
		DATE :	13-11-2024	DWN. BY : FAHEEM	
PROJECT :	FC - DELHI - T1	SCALE :	N.T.S.	CHKD BY: SAEED K.	
				APRVD BY:	



# TRAVEL FOOD SERVICES

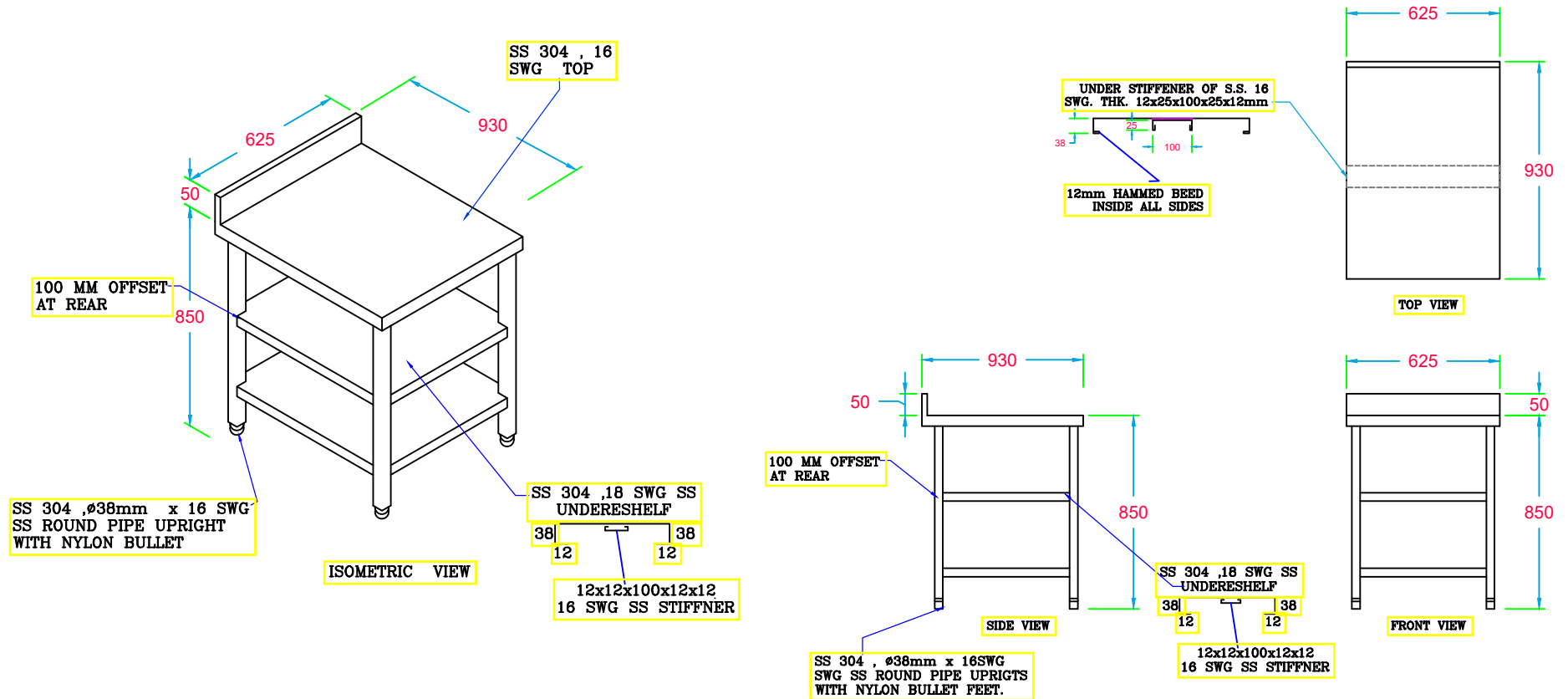
Eq.No :BK-22

SS WORK TABLE  
WITH 2 U/S

Over All Size:- 625 x 930 x 850 +50SPL

Qty:- 01No.

DRAWING : DIMENSIONS ARE IN MM



TITLE :	BIRYANI CONCEPT	REV. NO :	---	DESIGN BY	Sign
		DATE :	13-11-2024	DWN. BY : FAHEEM	
PROJECT :	FC - DELHI - T1	SCALE :	N.T.S.	CHKD BY: SAEED K.	
				APRVD BY:	



# TRAVEL FOOD SERVICES

Eq.No :BK-23

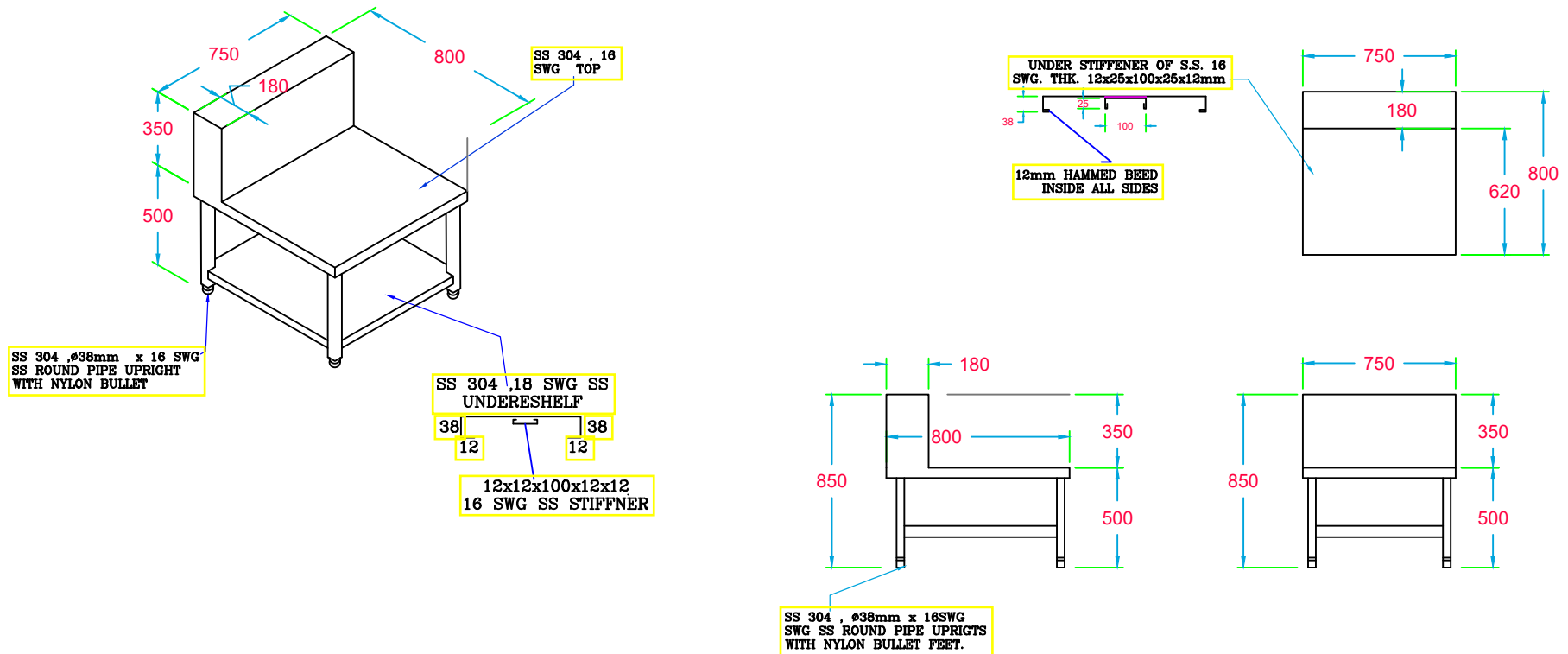
SS LOW HIEGHT TABLE WITH  
CROSS SUPPORT


Over All Size:- 750 x 800 x 500 & 850 (ON BACK)+50SPL

Qty:- 01No.

**DRAWING :**

DIMENSIONS ARE IN MM



TITLE :	BIRYANI CONCEPT	REV. NO :	---	DESIGN BY	Sign	 Travel Food Services
		DATE :	13-11-2024	DWN. BY : FAHEEM		
PROJECT :	FC - DELHI - T1	SCALE :	N.T.S.	CHKD BY: SAEED K.		
				APRVD BY:		

## TRAVEL FOOD SERVICES

Eq.No :BK-24

TABLE TOP INDUCTION FOR KEBAB WITH  
TAWA ( LORMAN-LT-PT-28 )

Over All Size:-700 x 700 x 350Ht.

Qty:- 01No.


**DRAWING :**     DIMENSIONS ARE IN MM



Brand name:Lorman

Model:LT-PT-18, LT-PT-24, LT-PT-28,

Shot on OnePlus  
By ClashM

<b>TITLE :</b>	<b>BIRYANI CONCEPT</b>	<b>REV. NO :</b>	---	<b>DESIGN BY</b>	Sign	 Travel Food Services
		<b>DATE :</b>	13-11-2024	<b>DWN. BY :</b>	FAHEEM	
<b>PROJECT :</b>	<b>FC - DELHI - T1</b>	<b>SCALE :</b>	N.T.S.	<b>CHKD BY :</b>	SAEED K.	
				<b>APRVD BY :</b>		

# TRAVEL FOOD SERVICES

Eq.No :BK-25


SS TABLE TOP ELECTRICAL SINGLE DEEP FAT FRYER ( SIRMAN ELDORADO-8LTR )

Over All Size:-270 x 420 x 360

Qty:- 02Nos.

DRAWING : DIMENSIONS ARE IN MM

Esclusiva - Exclusive





**ELDORADO 8X2R**

- Costruito in acciaio inox.
- Cestello rinforzato.
- Termometro e sonda cut-off di sicurezza e pulsante di ripristino.
- Resistente e corazzata.
- Corpo estraibile rimovibile e micro di sicurezza.
- Protezione anti-urto su resistenza facilmente smontabile.
- Posizione di appoggio per cestello.
- Copertello in dotazione.
- Rubinetto opzionale.


- Made from stainless steel.
- Reinforced basket.
- Thermostat and safety cut-off probe and reset button.
- Shock-proof casted heating elements.
- Removable heating body and safety switch.
- Shockproof protection on resistances easily disassembled.
- Position of basket stop.
- Lid supplied.
- Tap optional.

Esclusiva - Exclusive







Protezione antiurto resistenza  
Shockproof protection for resistances




Posizione di appoggio  
Position of dip



Pratico cestello da maneggiare  
Easy to handle basket




(A) Bulbo termostato  
(B) Pulsante di ripristino cut-off  
(A) Thermostat bulb  
(B) Cut-off reset button




Facile da smontare e pulire  
Easy to disassemble and clean


	litri	litri	A	B	C	litri	litri			
<b>Eldorado 5</b>	2.700	1100	mt. 1,8 - mm 3,2	250x120x100	180	400	300	6	250x120x100	7
<b>Eldorado 8R</b>	2.700-3.200	1100	mt. 1,8 - mm 3,2	250x120x100	200	420	300	10	250x120x100	13
<b>Eldorado 5+8</b>	2.700-3.200	1100	6 - mt. 1,8 - mm 3,2 8 - mt. 3 - mm 5	250x120x100	400	420	300	10	250x120x100	14
<b>Eldorado 8</b>	3.200	1100	mt. 3 - mm 5	250x120x100	270	420	300	7	250x120x100	8
<b>Eldorado 8R2</b>	3.200-3.300	1000/700	mt. 3 - mm 5	250x120x100	320	420	300	14	250x120x100	15
<b>Eldorado 10R</b>	3.200	1100	mt. 3 - mm 5	250x120x100	270	420	300	7,5	250x120x100	8,5
<b>Eldorado 8XR</b>	3.200-3.300	1000/700	mt. 3 - mm 5	250x120x100	320	420	300	15	250x120x100	16
<b>Eldorado 10R</b>	4.000	1200	mt. 3,3 - mm 5	300x140x110	270	480	300	9	250x120x100	10
<b>Eldorado 10XR</b>	4.000-4.200	1200	mt. 3,3 - mm 5	300x140x110	320	480	300	10	250x120x100	11




ELDORADO 5




ELDORADO 5X2




ELDORADO 8R




ELDORADO 8X2



ELDORADO 10XR



ELDORADO 10R



ELDORADO 5+8

TITLE :  
PROJECT :

BIRYANI  
CONCEPT  
FC - DELHI - T1

REV. NO : ---  
DATE : 13-11-2024  
SCALE : N.T.S.

DESIGN BY  
DWN. BY : FAHEEM  
CHKD BY: SAEED K.  
APRVD BY:

Sign



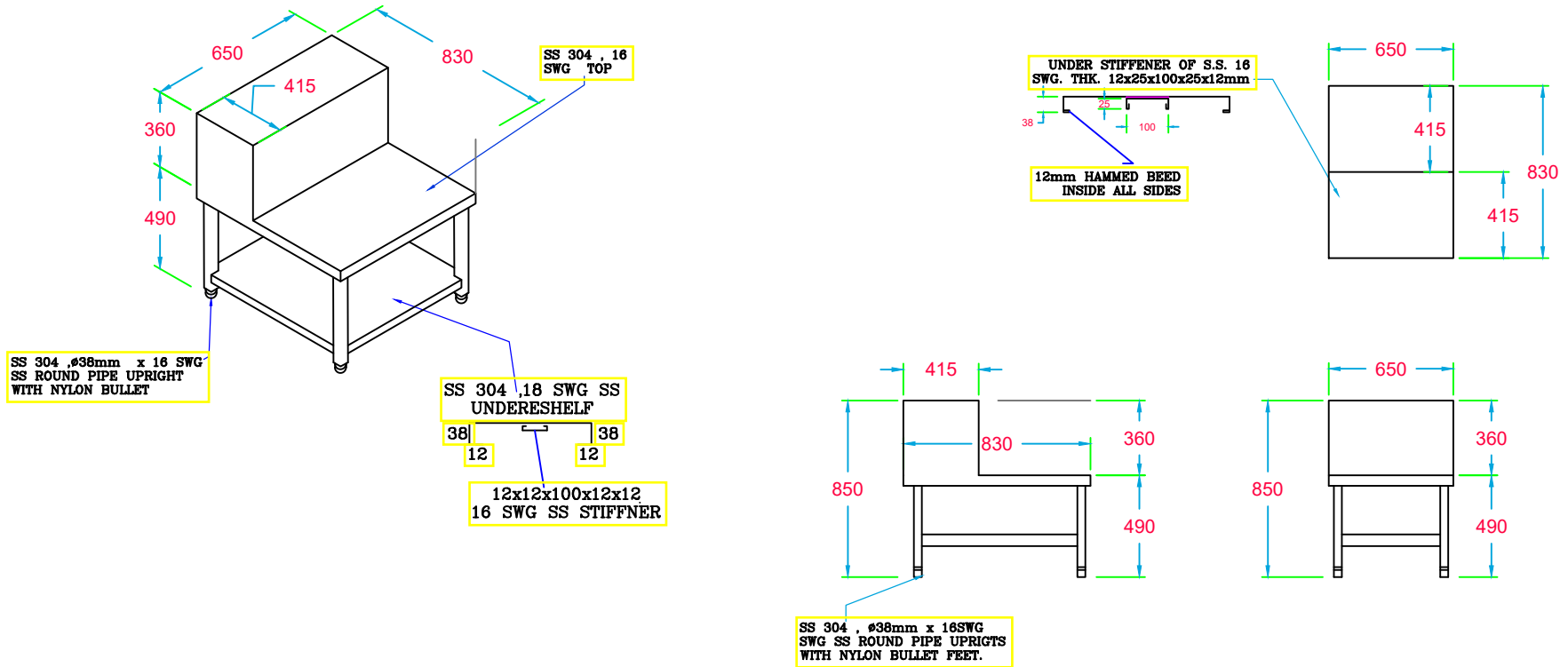
# TRAVEL FOOD SERVICES


Eq.No :BK-26

SS WORK TABLE WITH 1  
U/S STEP TYPE

Over All Size:-650 x 830 x 490 & 850Ht. (ON BACK) +50SPL Qty:- 02Nos.

**DRAWING :**      DIMENSIONS ARE IN MM



TITLE :	BIRYANI CONCEPT	REV. NO :	---	DESIGN BY	Sign	 Travel Food Services
		DATE :	13-11-2024	DWN. BY : FAHEEM		
PROJECT :	FC - DELHI - T1	SCALE :	N.T.S.	CHKD BY: SAEED K.		
				APRVD BY:		



# TRAVEL FOOD SERVICES

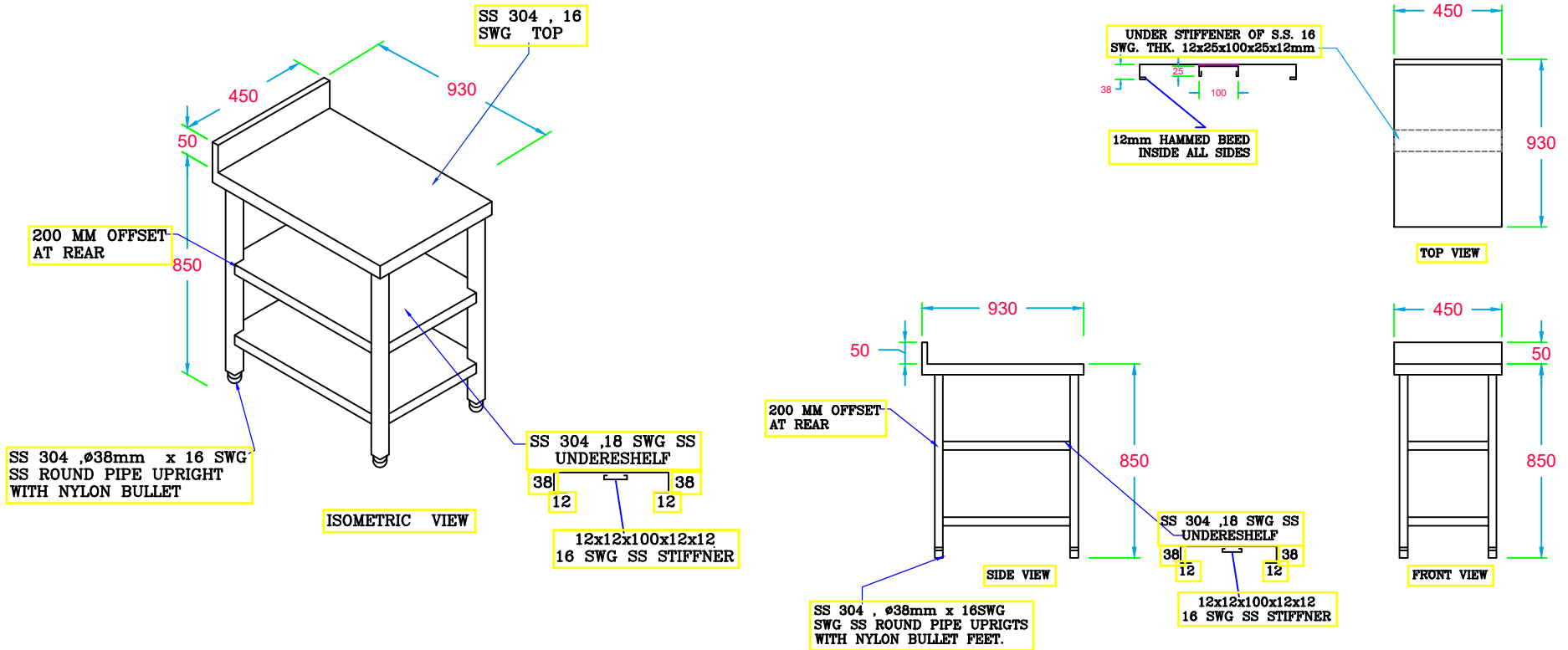
Eq.No :BK-27


SS WORK TABLE WITH  
2 U/S

Over All Size:- 450 x 930 x 850 +50SPL

Qty:- 01No.

**DRAWING :**     DIMENSIONS ARE IN MM



TITLE :	BIRYANI CONCEPT	REV. NO :	---	DESIGN BY	Sign	
		DATE :	13-11-2024	DWN. BY : FAHEEM		
PROJECT :	FC - DELHI - T1	SCALE :	N.T.S.	CHKD BY: SAEED K.		
				APRVD BY:		

# TRAVEL FOOD SERVICES

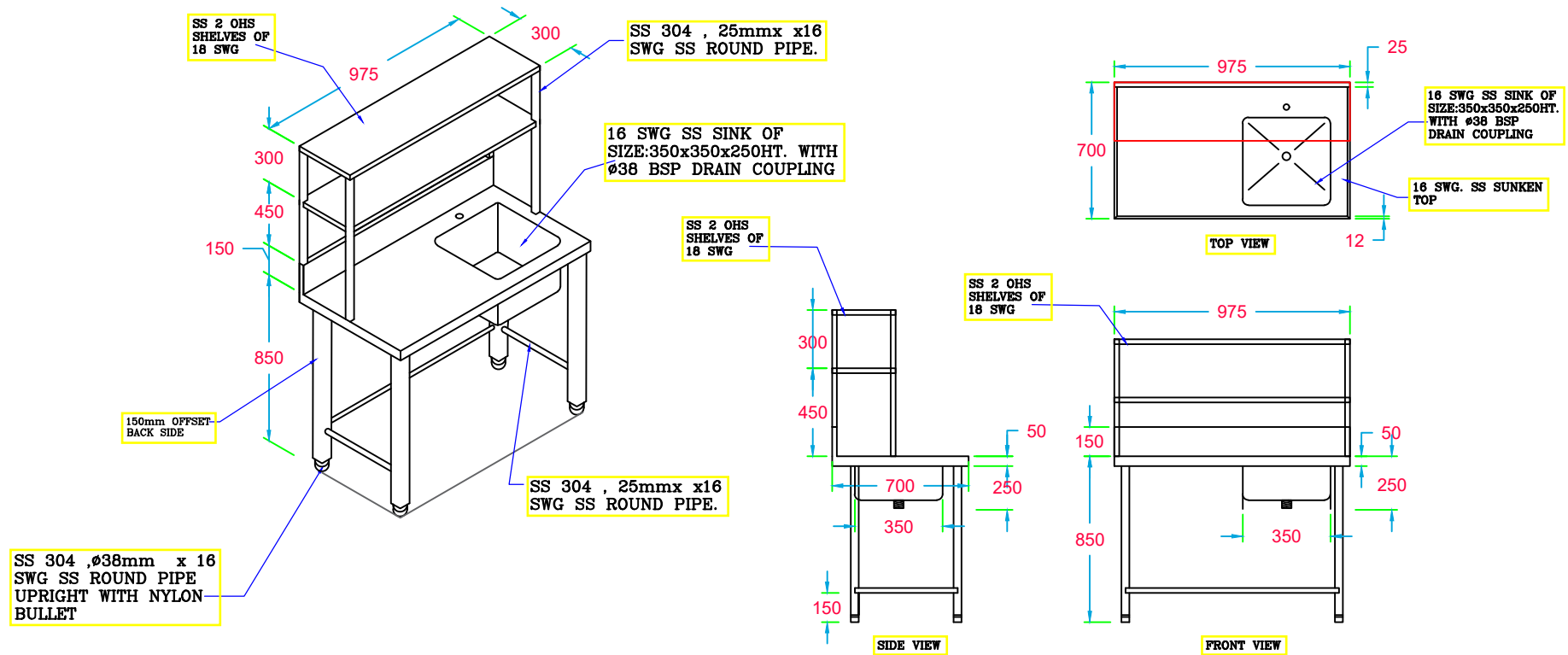
Eq.No :BK-28

SS WORK TABLE WITH SINK ON RHS W  
/ 2 OHS & CROSS SUPPORT BELOW

Over All Size:- 975 x 700 x 850 + 150

Qty:- 01No.

DRAWING : DIMENSIONS ARE IN MM



TITLE :	BIRYANI CONCEPT	REV. NO :	---	DESIGN BY	Sign
		DATE :	13-11-2024	DWN. BY : FAHEEM	
		SCALE :	N.T.S.	CHKD BY: SAEED K.	
PROJECT :	FC - DELHI - T1			APRVD BY:	



# TRAVEL FOOD SERVICES

Eq.No :BK-28a

**GREASE TRAP  
( NUGREEN-NGT 14)**


Over All Size:- 337x 404 x 303Ht.

Qty:- 01No.

**DRAWING :**     DIMENSIONS ARE IN MM



Nugreen Grease separator " NGT 8/14/20/30/40/50/70/100 "									
Grease Trap SS 304	Inlet/Outlet (mm)	Holding Capacity (Litre)	Flow (Lit/min)	Bottom to Centre of Inlet (A) (mm)	Bottom to Centre of outlet (B) (mm)	Width (mm)	Length (mm)	Height (mm)	Grease capacity (kg)
NGT 8	50	15.9	18	177	177	262	355	280	3
NGT 14	50	25.5	28	203	193	337	404	303	7
NGT 20	60	34.3	38	203	193	362	503	303	9
NGT 30	75	47.5	57	256	246	400	512	343	13
NGT 40	87.5	57.5	75.5	287	277	400	562	375	18
NGT 50	87.5	72	95	300	290	437	612	412	23
NGT 70	87.5	104	132	353	343	450	712	481	32
NGT 100	112	156	189	406	396	556	762	537	45

TITLE :	BIRYANI CONCEPT	REV. NO :	---	DESIGN BY	Sign	 Travel Food Services
		DATE :	13-11-2024	DWN. BY : FAHEEM		
PROJECT :	FC - DELHI - T1	SCALE :	N.T.S.	CHKD BY: SAEED K.		
				APRVD BY:		

# TRAVEL FOOD SERVICES

Eq.No :BK-29

MENUMASTER OVEN 25 LTR  
( RMS 510 TSIA )

Over All Size:- 500 x 425 x 325

Qty:- 01No.

DRAWING : DIMENSIONS ARE IN MM




Perfect Replacement for Unsuitable Domestic Ovens used in Food Service Application















**Commercial Microwave Ovens** are the perfect platform for a broad range of menu items

Vegetables	Seafood	Soups & Sauces	Shellfish	Steam Cooking	Reheat/ Re-therm	Breads
------------	---------	----------------	-----------	---------------	------------------	--------

**Better than boiling, better than traditional steamers faster than anything else**  
**Perfectly poached or steamed fish doesn't get any easier or more delicious**  
**The quickest, most effective, and efficient way to heat and serve delicious soups and sauces**  
**Top seafood restaurants use steam-capable microwave ovens for perfect shrimp and lobster**  
**Higher power ovens generate steam from the food itself for perfect, nutritious, and delicious results**  
**Higher power ovens re-therm to perfection for that 'just cooked' taste and texture**  
**Customer satisfaction improved by boosting temps instead of serving directly from a holding cabinet**



**Low Volume Commercial Microwave Oven**

**Power Output**  
• 1000 watts of power

**Touch Control**  
• 20 programmable menu items simplifies cooking  
• 5 power levels and 4 cooking stages for cooking flexibility  
• Multiple quantity pad calculates the proper cooking times for multiple portions

**Easy to Use**  
• See-through door and lighted interior for monitoring without opening the door  
• 23 liter capacity accommodates a 305mm (12") platter, pre-packaged foods and single servings

**Certified Oven for Commercial Applications**

**Easy to Maintain**  
• Stainless steel exterior wrap, door, and oven interior for increased durability  
• Sealed-in Borosilicate Glass shelf for easy cleaning

**RMS 510 TSIA is ideal for...**

**Applications**  
 • Convenience Stores • Dessert stations  
 • Nurses stations • Coffee shops  
 • Teachers/Staff lounge • Vending  
 • Boost heats and re-therms foods in seconds  
 • Slice of apple pie re-therms in 20 seconds  
 • 255g cup of chili re-therms in 1:45



TITLE :	BIRYANI CONCEPT	REV. NO :	---	DESIGN BY	Sign
		DATE :	13-11-2024	DWN. BY : FAHEEM	
PROJECT :	FC - DELHI - T1	SCALE :	N.T.S.	CHKD BY: SAEED K.	
				APRVD BY:	



Travel Food Services

# TRAVEL FOOD SERVICES

Eq.No :BK-30

2 DOOR U/C CHILLER. WITH LOCKABLE CASTOR WHEELS (2 Nos.WITH BREAK INFRONT & 2 Nos. WITHOUT BREAK) & HEATING ELEMENT FOR DRAIN ( Bluestar- 4 Feet UCH2D0300S )

Over All Size:- 1200 x 700 x 850

Qty:- 02Nos.

**DRAWING :**     DIMENSIONS ARE IN MM

**BLUE STAR**

**UNDERCOUNTER CHILLERS AND FREEZERS**

High performance comes with a heavy-duty build. Blue Star's range of Undercounter Chillers and Freezers is ideal for storing pre-mixes and preparation materials. This range comes with an auto door-close mechanism and uses food grade stainless steel to keep food fresh.

These Undercounter Chillers and Freezers provide precise temperatures, are designed aesthetically and built for heavy-duty use.

Also available in the Undercounters range are Pizza Tables, Saladette Range, Sandwich Stations and Chilled Topping Units.

**FEATURES**

- Tropicalised for high ambient temperatures
- Eco-friendly refrigerant
- Food grade stainless steel unit
- Odourless operation due to continuous air circulation
- Uniform cooling by forced air circulation
- Self-closing doors

**COMMERCIAL KITCHEN REFRIGERATION**     REFRIGERATION SOLUTIONS TO HELP YOUR BUSINESS DO BETTER.

<b>TITLE :</b>	<b>BIRYANI CONCEPT</b>	<b>REV. NO :</b>	---	<b>DESIGN BY</b>	Sign	
		<b>DATE :</b>	13-11-2024	<b>DWN. BY :</b>	FAHEEM	
<b>PROJECT :</b>	<b>FC - DELHI - T1</b>	<b>SCALE :</b>	N.T.S.	<b>CHKD BY:</b>	SAEED K.	
				<b>APRVD BY:</b>		

# TRAVEL FOOD SERVICES

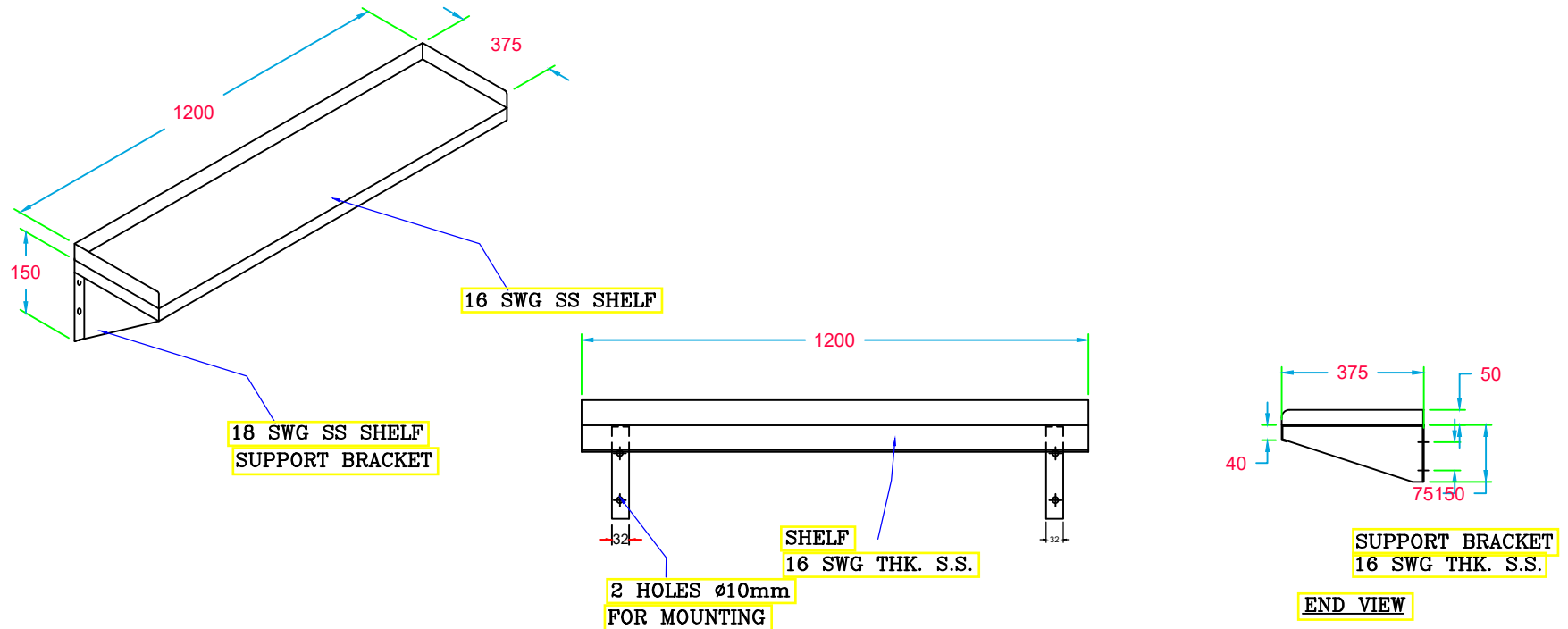
Eq.No :BK-31

SS WALLMOUNTED  
SHELF

Over All Size:-1200 X 375

Qty:- 02Nos.

**DRAWING :**    DIMENSIONS ARE IN MM



TITLE :	BIRYANI CONCEPT	REV. NO :	---	DESIGN BY	Sign
		DATE :	13-11-2024	DWN. BY : FAHEEM	
PROJECT :	FC - DELHI - T1	SCALE :	N.T.S.	CHKD BY: SAEED K.	
				APRVD BY:	



Travel Food Services

# TRAVEL FOOD SERVICES

Eq.No :BK-32

2 DOOR VERTICAL CHILLER WITH LOCKABLE CASTOR WHEELS (2 Nos.WITH BREAK INFRONT & 2 Nos. WITHOUT BREAK) & HEATING ELEMENT FOR DRAIN ( BLUE STAR-RC2D550N )

Over All Size:-700 x 765 x 1997

Qty:- 01No.

DRAWING : DIMENSIONS ARE IN MM



**Technical Specifications**

Reach-In Freezers						
Description	RF2D700GP	RF4D1450GP	RF2D700GC	RF4D1450GC	RF2D550N*	RF4D1100N*
Capacity (Ltrs)	650	1350	650	1350	600	1200
Temperature Range	-20°-7°C	-20°-7°C	-20°-7°C	-20°-7°C	-18°-10°C	-18°-10°C
No. of Doors	2	4	2	4	2	4
Type of Doors (INT/EXT)	22-304/201	22-304/201	22-201/201	22-201/201	SS201/SS201	SS201/SS201
Shelves Qty	3	6	3	6	3	6
Light	Yes	Yes	Yes	Yes	No	No
Refrigerant Gas (Type/Charge)	R290/115g	R290/120g x 2	R290/115g	R290/120g x 2	R290/110g	R290/150g
Voltage & Frequency (V/Hz)	220-240V/50Hz	220-240V/50Hz	220-240V/50Hz	220-240V/50Hz	220/240V/50Hz	220/240V/50Hz
Power (Watts)	522	950	522	950	400	668
Current (Amps)	2.6	4.9	2.6	4.9	4.2	8.9
Defrost	Automatic	Automatic	Automatic	Automatic	Automatic	Automatic
Temperature Display LED	Yes	Yes	Yes	Yes	Yes	Yes
External Dimension (W x D x H) mm	700 x 880 x 2043	1400 x 880 x 2043	700 x 880 x 2043	1400 x 880 x 2043	700 x 765 x 1997	1200 x 765 x 1997
Net Weight (kg)	119	200	119	200	85	90
Gross Weight (kg)	129	214	129	214	120	130

**Technical Specifications**

Reach-In Chillers						
Description	RC2D700GP	RC4D1450GP	RC2D700GC	RC4D1450GC	RC2D550N*	RC4D1100N*
Capacity (Ltrs)	650	1350	650	1350	600	1200
Temperature Range	0°-+ 12°C	0°-+ 12°C	0°-+ 12°C	0°-+ 12°C	0°-+ 10	0°-+ 10
No. of Doors	2	4	2	4	2	4
Type of Doors (INT/EXT)	22-304/201	22-304/201	22-201/201	22-201/201	SS201/SS201	SS201/SS201
Shelves Qty	3	6	3	6	3	6
Light	Yes	Yes	Yes	Yes	No	No
Refrigerant Gas (Type/Charge)	R290/90g	R290/120g	R290/90g	R290/120g	R290/100g	R290/150g
Voltage & Frequency (V/Hz)	220-240V/50Hz	220-240V/50Hz	220-240V/50Hz	220-240V/50Hz	220/240V/50Hz	220/240V/50Hz
Power (Watts)	250	600	250	600	300	490
Current (Amps)	1.3	3.3	1.3	3.3	3.2	5.5
Defrost	Automatic	Automatic	Automatic	Automatic	Automatic	Automatic
Temperature Display LED	Yes	Yes	Yes	Yes	Yes	Yes
External Dimension (W x D x H) mm	700 x 880 x 2043	1400 x 880 x 2043	700 x 880 x 2043	1400 x 880 x 2043	700 x 765 x 1997	1200 x 765 x 1997
Net Weight (kg)	112	190	112	190	85	90
Gross Weight (kg)	122	204	122	204	120	130



TITLE :

BIRYANI  
CONCEPT

PROJECT :

FC - DELHI - T1

REV. NO :

---

DATE :

13-11-2024

SCALE :

N.T.S.

DESIGN BY

DWN. BY : FAHEEM

CHKD BY: SAEED K.

APRVD BY:

Sign



Travel Food Services



# TRAVEL FOOD SERVICES

Eq.No :BK-33

**2 DOOR VERTICAL FREEZER WITH LOCKABLE CASTOR WHEELS (2 Nos.WITH BREAK INFRONT & 2 Nos. WITHOUT BREAK) & HEATING ELEMENT FOR DRAIN ( BLUESTAR- RF2D550N )**

Over All Size:-700 x 765 x 1997

Qty:- 01No.

**DRAWING :** DIMENSIONS ARE IN MM



**Technical Specifications**

Description	Reach-in Freezers					
	RF2D700GP	RF4D1410GP	RF2D700GC	RF4D1410GC	RF2D550N*	RF4D1100N*
Capacity (Ltrs)	650	1350	650	1350	600	1200
Temperature Range	-20°-7°C	-20°-7°C	-20°-7°C	-20°-7°C	-18°-10°C	-18°-10°C
No. of Doors	2	4	2	4	2	4
Type of Doors (In/Ext)	22-304/201	22-304/201	22-201/201	22-201/201	SS201/SS201	SS201/SS201
Shelves Qty	3	6	3	6	3	6
Light	Yes	Yes	Yes	Yes	No	No
Refrigerant Gas (Type/Charge)	R290/115g	R290/120g x 2	R290/115g	R290/120g X 2	R290/110g	R290/150g
Voltage & Frequency (V/Hz)	220-240V/50Hz	220-240V/50Hz	220-240V/50Hz	220-240V/50Hz	220-240V/50Hz	220-240V/50Hz
Power (Watts)	522	950	522	950	400	608
Current (Amps)	2.6	4.9	2.6	4.9	4.2	8.8
Defrost	Automatic	Automatic	Automatic	Automatic	Automatic	Automatic
Temperature Display LED	Yes	Yes	Yes	Yes	Yes	Yes
External Dimension (W x D X H) mm	700 x 880 x 2043	1400 x 880 x 2043	700 x 880 x 2043	1400 x 880 x 2043	700 x 765 x 1997	1200 x 760 x 1997
Net Weight (kg)	119	200	119	200	85	90
Gross Weight (kg)	129	214	129	214	120	130

**Technical Specifications**

Description	Reach-in Chiller					
	RC2D700GP	RC4D1410GP	RC2D700GC	RC4D1410GC	RC2D550N*	RC4D1100N*
Capacity (Ltrs)	650	1350	650	1350	600	1200
Temperature Range	0°- + 12°C	0°- + 12°C	0°- + 12°C	0°- + 12°C	0°- + 10	0°- + 10
No. of Doors	2	4	2	4	2	4
Type of Doors (In/Ext)	22-304/201	22-304/201	22-201/201	22-201/201	SS201/SS201	SS201/SS201
Shelves Qty	3	6	3	6	3	6
Light	Yes	Yes	Yes	Yes	No	No
Refrigerant Gas (Type/Charge)	R290/90g	R290/120g	R290/90g	R290/120g	R290/100g	R290/150g
Voltage & Frequency (V/Hz)	220-240V/50Hz	220-240V/50Hz	220-240V/50Hz	220-240V/50Hz	220-240V/50Hz	220-240V/50Hz
Power (Watts)	250	600	250	600	300	400
Current (Amps)	1.3	3.3	1.3	3.3	3.2	5.5
Defrost	Automatic	Automatic	Automatic	Automatic	Automatic	Automatic
Temperature Display LED	Yes	Yes	Yes	Yes	Yes	Yes
External Dimension (W x D X H) mm	700 x 880 x 2043	1400 x 880 x 2043	700 x 880 x 2043	1400 x 880 x 2043	700 x 765 x 1997	1200 x 760 x 1997
Net Weight (kg)	112	190	112	190	85	90
Gross Weight (kg)	122	204	122	204	120	130



TITLE :	<b>BIRYANI CONCEPT</b>	REV. NO :	---	DESIGN BY	Sign
		DATE :	13-11-2024	DWN. BY : FAHEEM	
		PROJECT :	<b>FC - DELHI - T1</b>	SCALE :	N.T.S.
				APRVD BY:	





# TRAVEL FOOD SERVICES

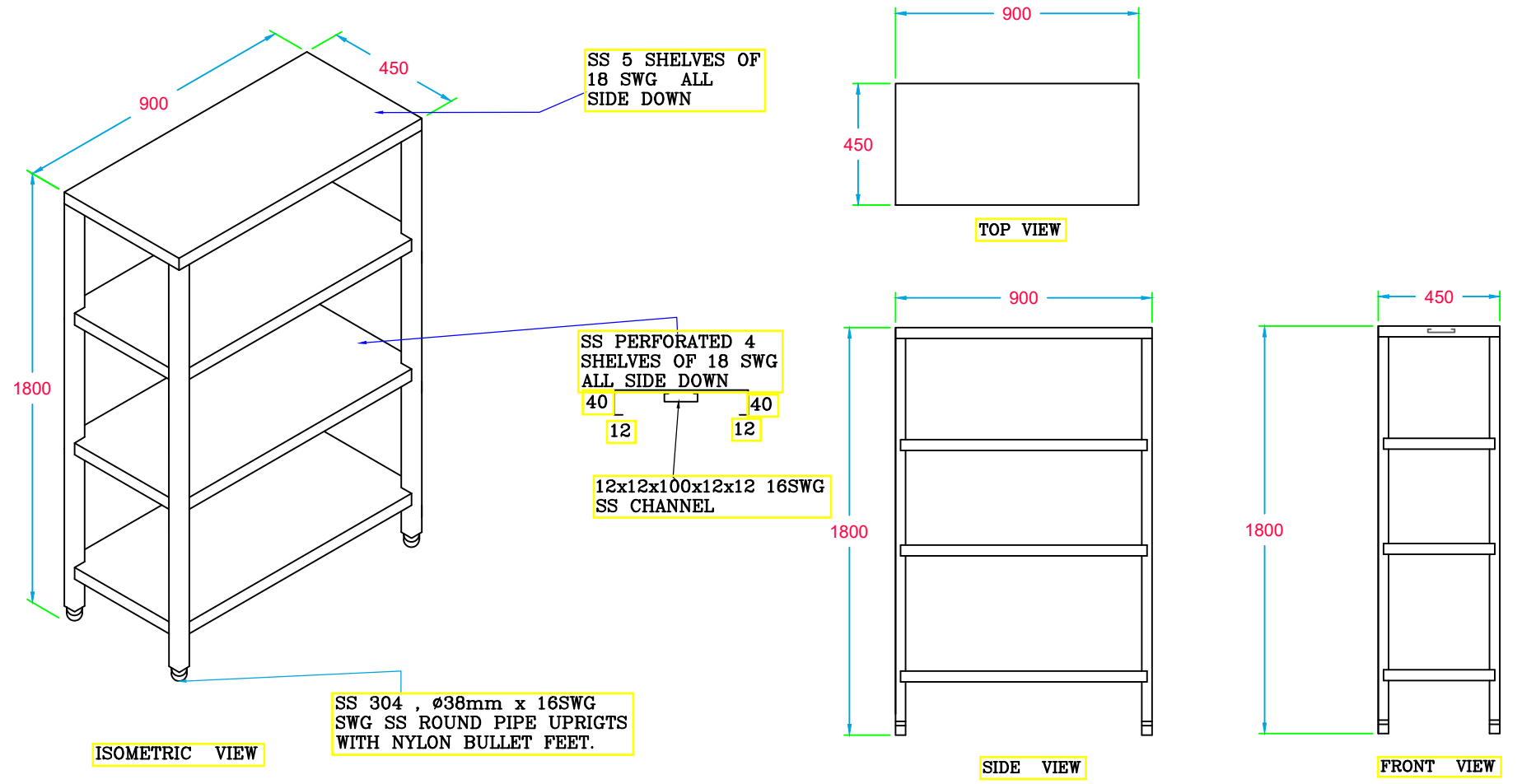
Eq.No :BK-34

SS STORAGE RACK 4 TIER  
SHELF

Over All Size:-900 x 450 x 1800

Qty:- 02Nos.

**DRAWING :**     DIMENSIONS ARE IN MM



TITLE :	BIRYANI CONCEPT	REV. NO :	---	DESIGN BY	Sign	 Travel Food Services
		DATE :	13-11-2024	DWN. BY : FAHEEM		
PROJECT :	FC - DELHI - T1	SCALE :	N.T.S.	CHKD BY: SAEED K.		
				APRVD BY:		

# TRAVEL FOOD SERVICES

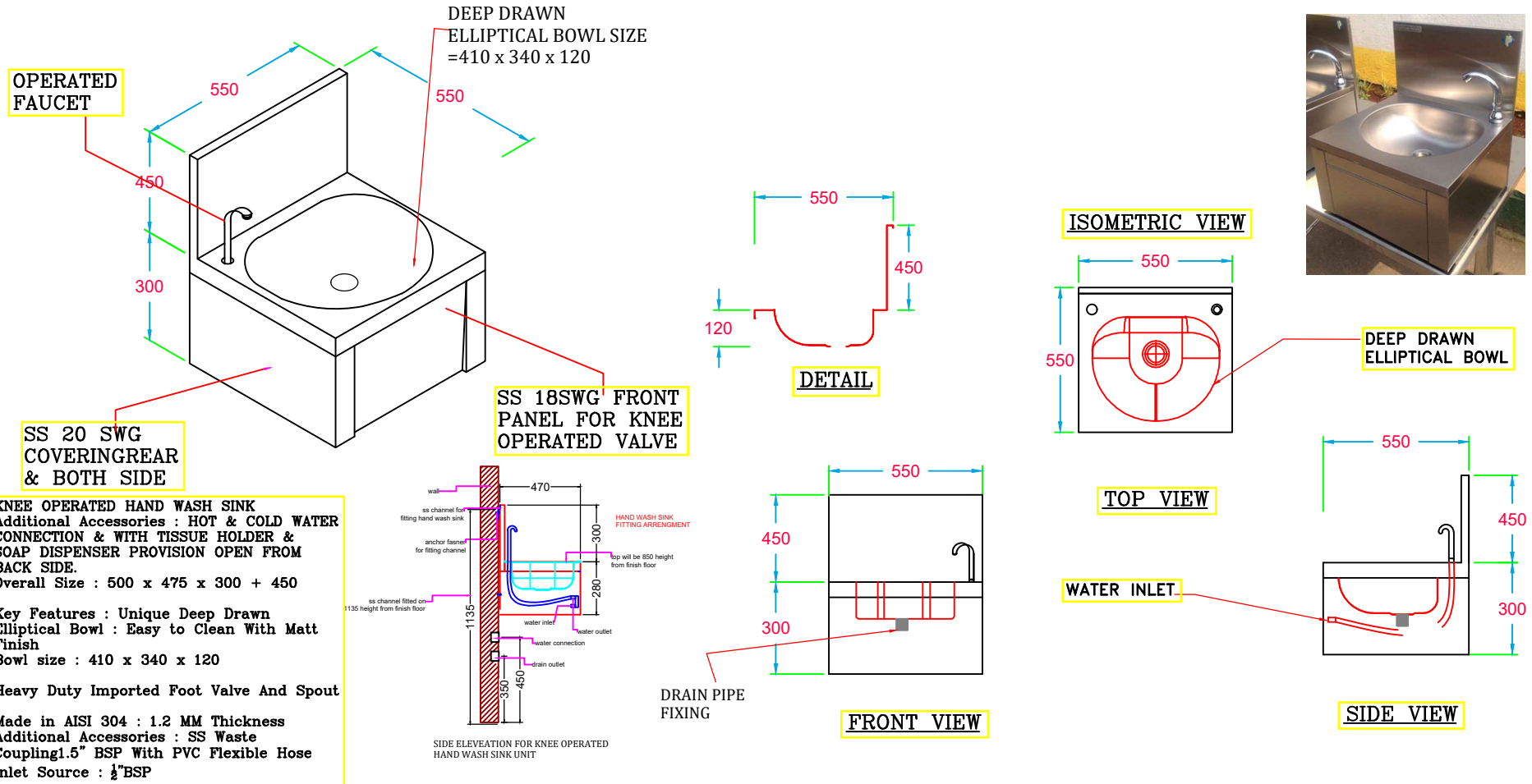
Eq.No :BK-35

**KNEE OPERATED HAND WASH**  
**SINK WITH HOT & COLD WATER CONNECTION & WITH TISSUE HOLDER & SOAP DISPENSER**  
**PROVISION OPEN FROM BACK SIDE & DOOR INFRONT**

Over All Size:-550 x 550 x 300+450Spl.

Qty:- 01No.

**DRAWING :** DIMENSIONS ARE IN MM



TITLE :	<b>BIRYANI CONCEPT</b>	REV. NO :	---	DESIGN BY	Sign	<p>Travel Food Services</p>
		DATE :	13-11-2024	DWN. BY : FAHEEM		
		SCALE :	N.T.S.	CHKD BY: SAEED K.		
PROJECT :	FC - DELHI - T1			APRVD BY:		

# TRAVEL FOOD SERVICES

Eq.No :BK-35a

**GREASE TRAP  
( NUGREEN-NGT8 )**


Over All Size:- 262 x 355 x 280Ht.

Qty:- 01No.

**DRAWING :**     DIMENSIONS ARE IN MM



Nugreen Grease separator " NGT 8/14/20/30/40/50/70/100 "									
Grease Trap SS 304	Inlet/Outlet (mm)	Holding Capacity (Litre)	Flow (Lit/min)	Bottom to Centre of Inlet (A) (mm)	Bottom to Centre of outlet (B) (mm)	Width (mm)	Length (mm)	Height (mm)	Grease capacity (kg)
NGT 8	50	15.9	18	177	177	262	355	280	3
NGT 14	50	25.5	28	203	193	337	404	303	7
NGT 20	60	34.3	38	203	193	362	503	303	9
NGT 30	75	47.5	57	256	246	400	512	343	13
NGT 40	87.5	57.5	75.5	287	277	400	562	375	18
NGT 50	87.5	72	95	300	290	437	612	412	23
NGT 70	87.5	104	132	353	343	450	712	481	32
NGT 100	112	156	189	406	396	556	762	537	45

TITLE :	<b>BIRYANI CONCEPT</b>	REV. NO :	---	DESIGN BY	Sign	
		DATE :	13-11-2024	DWN. BY : FAHEEM		
PROJECT :	<b>FC - DELHI - T1</b>	SCALE :	N.T.S.	CHKD BY: SAEED K.		
				APRVD BY:		

# TRAVEL FOOD SERVICES

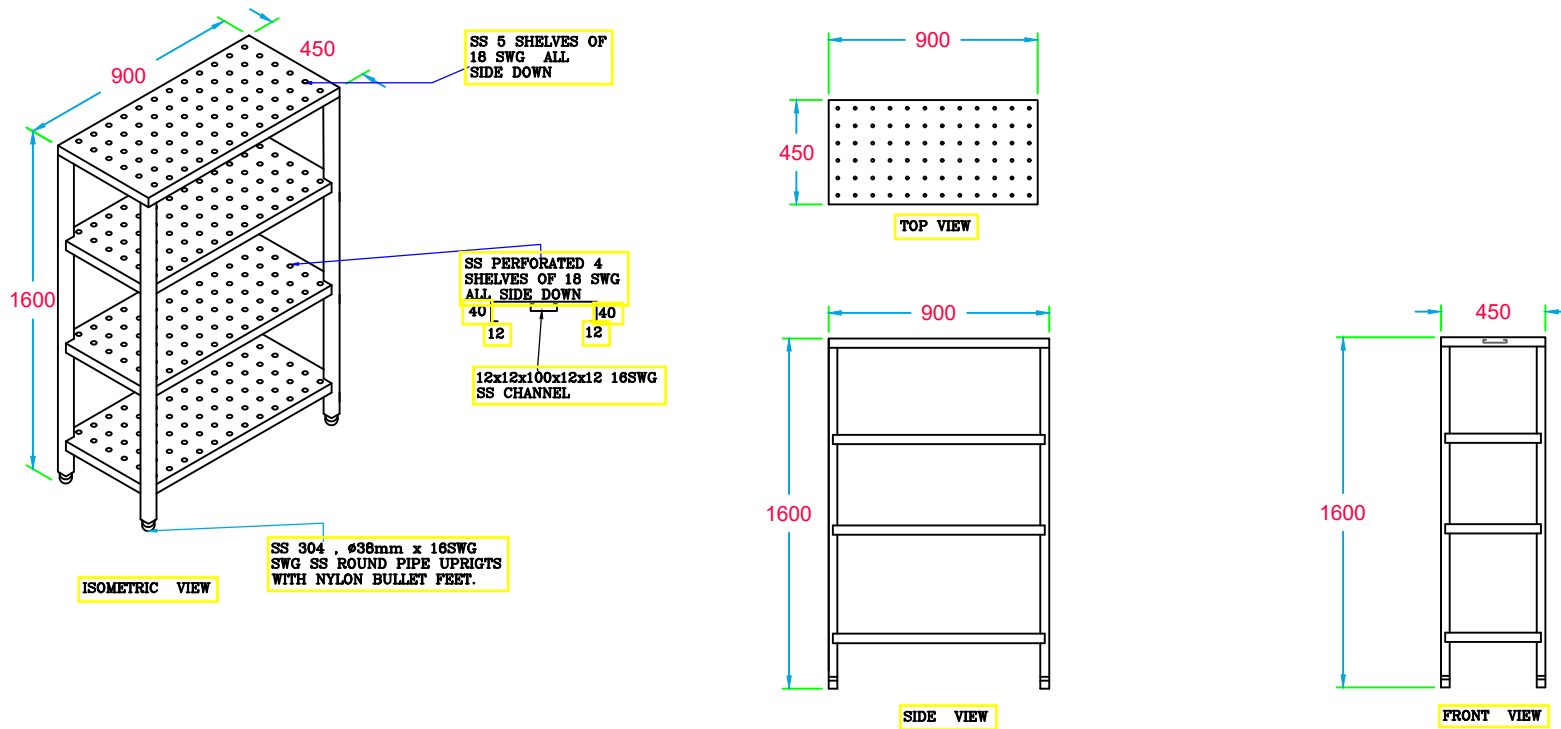
Eq.No :BK-36

SS DISH RACK  
4 TEIR

Over All Size:- 900 x 450 x 1600

Qty:- 01No.

**DRAWING :**     DIMENSIONS ARE IN MM



TITLE :	BIRYANI CONCEPT	REV. NO :	---	DESIGN BY	Sign
		DATE :	13-11-2024	DWN. BY : FAHEEM	
PROJECT :	FC - DELHI - T1	SCALE :	N.T.S.	CHKD BY: SAEED K.	
				APRVD BY:	



# TRAVEL FOOD SERVICES

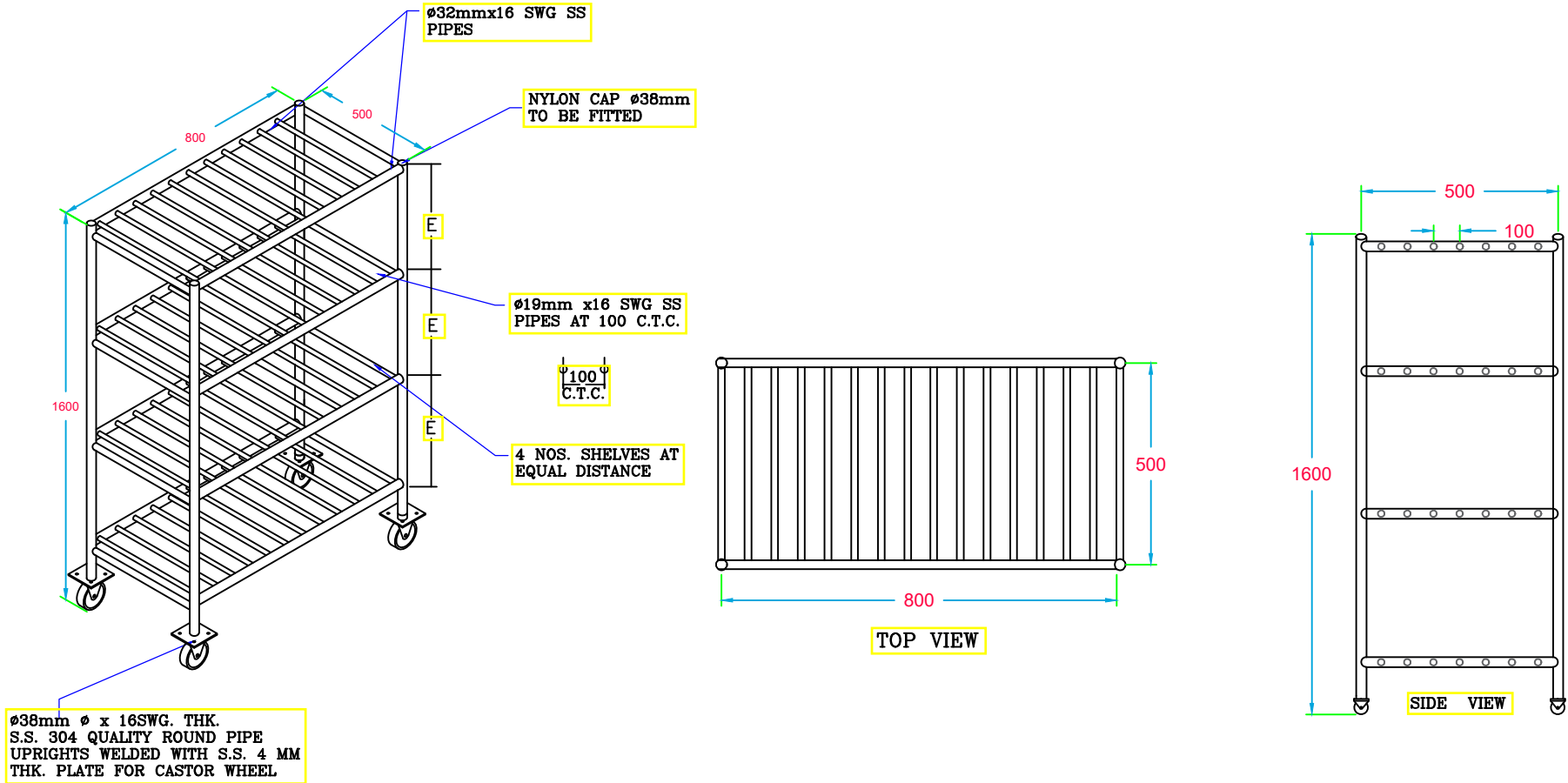
Eq.No :BK-37


SS POT RACK 4 TEIR  
ON WHEEL

Over All Size:- 800 x 500 x 1600

Qty:- 01No.

**DRAWING :**     DIMENSIONS ARE IN MM



TITLE :	BIRYANI CONCEPT	REV. NO :	---	DESIGN BY	Sign	 Travel Food Services
		DATE :	13-11-2024	DWN. BY : FAHEEM		
PROJECT :	FC - DELHI - T1	SCALE :	N.T.S.	CHKD BY: SAEED K.		
				APRVD BY:		

# TRAVEL FOOD SERVICES

Eq.No :BK-38

GREASE TRAP  
( NUGREEN-NGT 40 )


Over All Size:- 362 x 503 x 303Ht.

Qty:- 01No.

**DRAWING :**     DIMENSIONS ARE IN MM



Nugreen Grease separator " NGT 8/14/20/30/40/50/70/100 "									
Grease Trap SS 304	Inlet/Outlet (mm)	Holding Capacity (Litre)	Flow (Lit/min)	Bottom to Centre of Inlet (A) (mm)	Bottom to Centre of outlet (B) (mm)	Width (mm)	Length (mm)	Height (mm)	Grease capacity (kg)
NGT 8	50	15.9	18	177	177	262	355	280	3
NGT 14	50	25.5	28	203	193	337	404	303	7
NGT 20	60	34.3	38	203	193	362	503	303	9
NGT 30	75	47.5	57	256	246	400	512	343	13
<b>NGT 40</b>	<b>87.5</b>	<b>57.5</b>	<b>75.5</b>	<b>287</b>	<b>277</b>	<b>400</b>	<b>562</b>	<b>375</b>	<b>18</b>
NGT 50	87.5	72	95	300	290	437	612	412	23
NGT 70	87.5	104	132	353	343	450	712	481	32
NGT 100	112	156	189	406	396	556	762	537	45

TITLE :	BIRYANI CONCEPT	REV. NO :	---	DESIGN BY	Sign	
		DATE :	13-11-2024	DWN. BY : FAHEEM		
PROJECT :	FC - DELHI - T1	SCALE :	N.T.S.	CHKD BY: SAEED K.		
				APRVD BY:		

# TRAVEL FOOD SERVICES

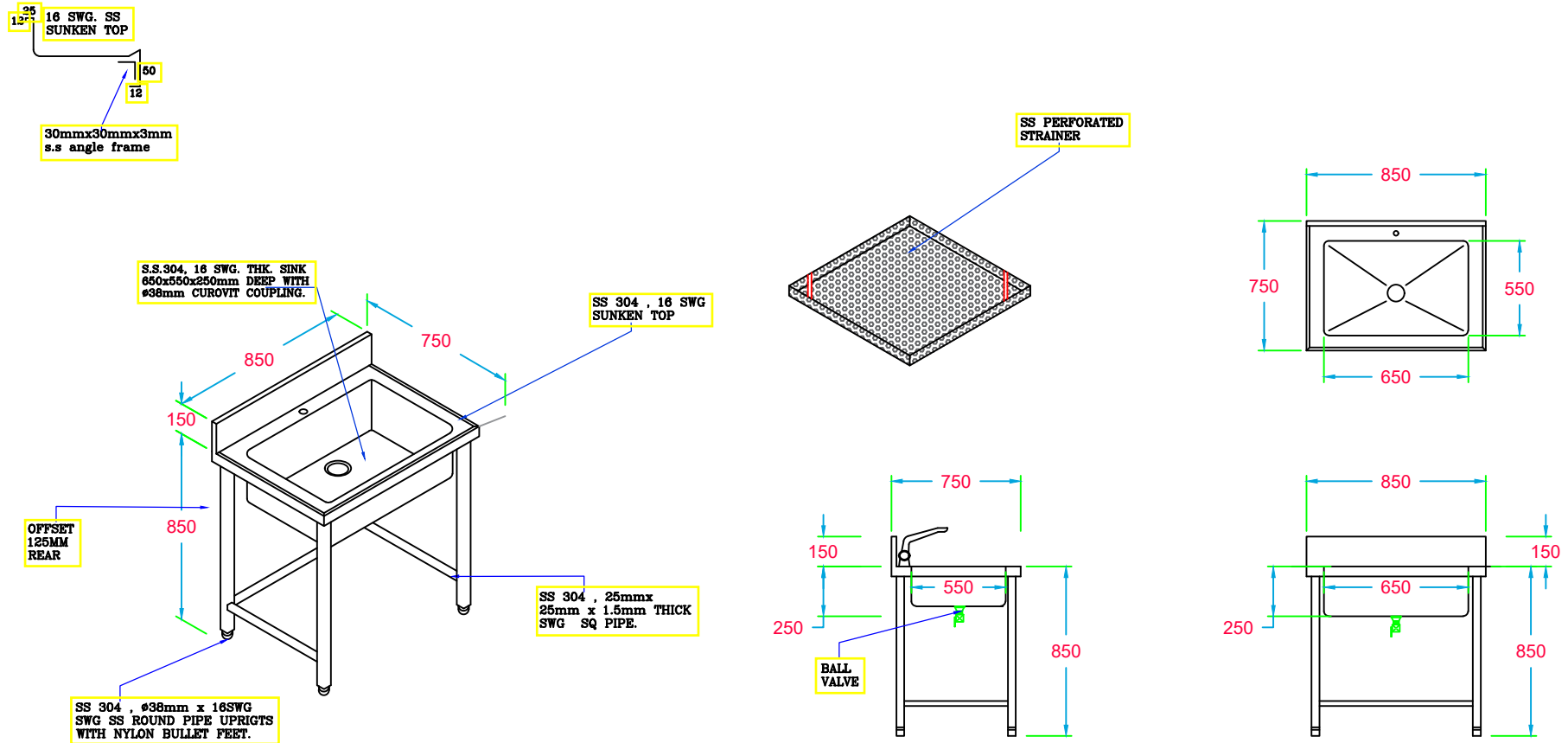
Eq.No :BK-39

SS POT WASH SINK WITH  
CROSS SUPPORT

Over All Size:- 850 x 750 x 300

Qty:- 01No.

DRAWING : DIMENSIONS ARE IN MM



TITLE :	BIRYANI CONCEPT	REV. NO :	---	DESIGN BY	Sign
		DATE :	13-11-2024	DWN. BY : FAHEEM	
PROJECT :	FC - DELHI - T1	SCALE :	N.T.S.	CHKD BY : SAEED K.	
				APRVD BY:	

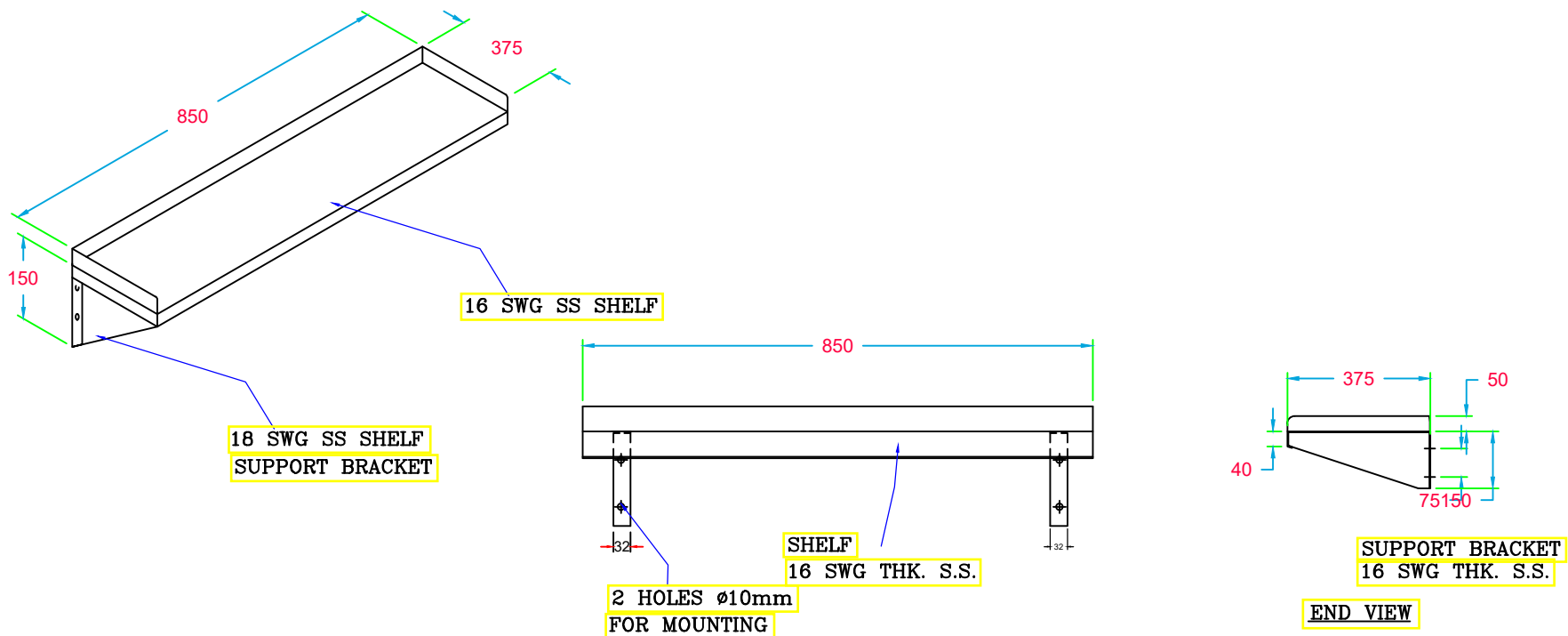


Travel Food Services


# TRAVEL FOOD SERVICES

Eq.No :BK-40	<b>SS WALL MOUNTED SHELF</b>
--------------	------------------------------

Over All Size:-850 X 375	Qty:- 01No.	<b>DRAWING :</b> <u>DIMENSIONS ARE IN MM</u>
--------------------------	-------------	--



TITLE :	<b>BIRYANI CONCEPT</b>	REV. NO :	---	DESIGN BY	Sign
		DATE :	13-11-2024	DWN. BY : FAHEEM	
PROJECT :	<b>FC - DELHI - T1</b>	SCALE :	N.T.S.	CHKD BY: SAEED K.	
				APRVD BY:	



Travel Food Services



# TRAVEL FOOD SERVICES

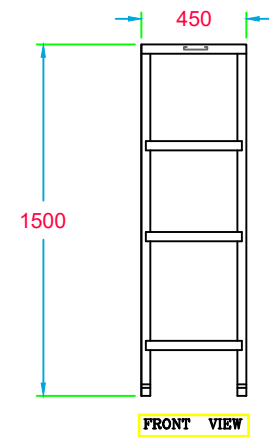
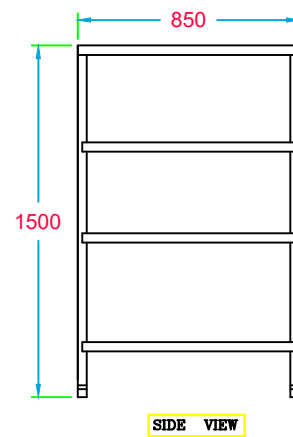
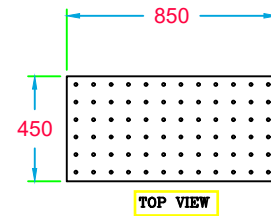
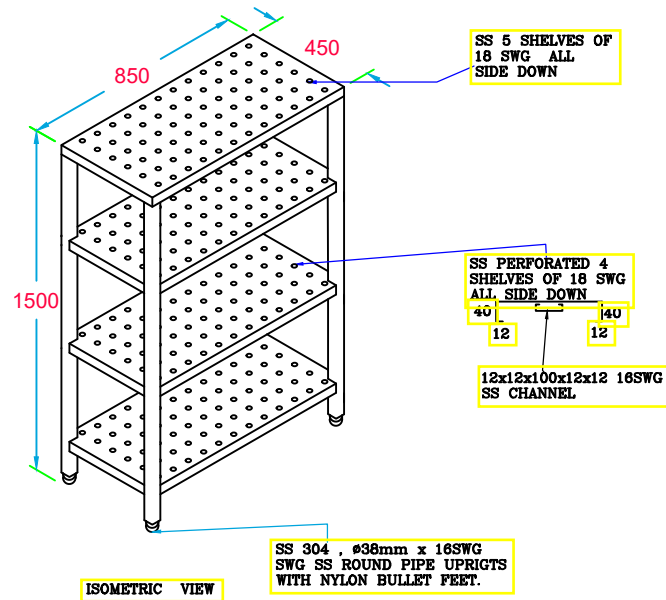
Eq.No :BK-42


4 TIER - MOBILE CHILLER STORAGE  
RACK (36" X 21")

Over All Size:-850 x 450 x 1500

Qty:- 03No.

**DRAWING :**     DIMENSIONS ARE IN MM



TITLE :	BIRYANI CONCEPT	REV. NO :	---	DESIGN BY	Sign	 Travel Food Services
		DATE :	13-11-2024	DWN. BY : FAHEEM		
PROJECT :	FC - DELHI - T1	SCALE :	N.T.S.	CHKD BY: SAEED K.		
				APRVD BY:		