

ALL DIMENSIONS ARE IN MM.

PROJECT NAME - Trivandrum Lounge

ITEM NAME

Work Table with 2 US with B/s

ITEM NO.

EX-04

Qty

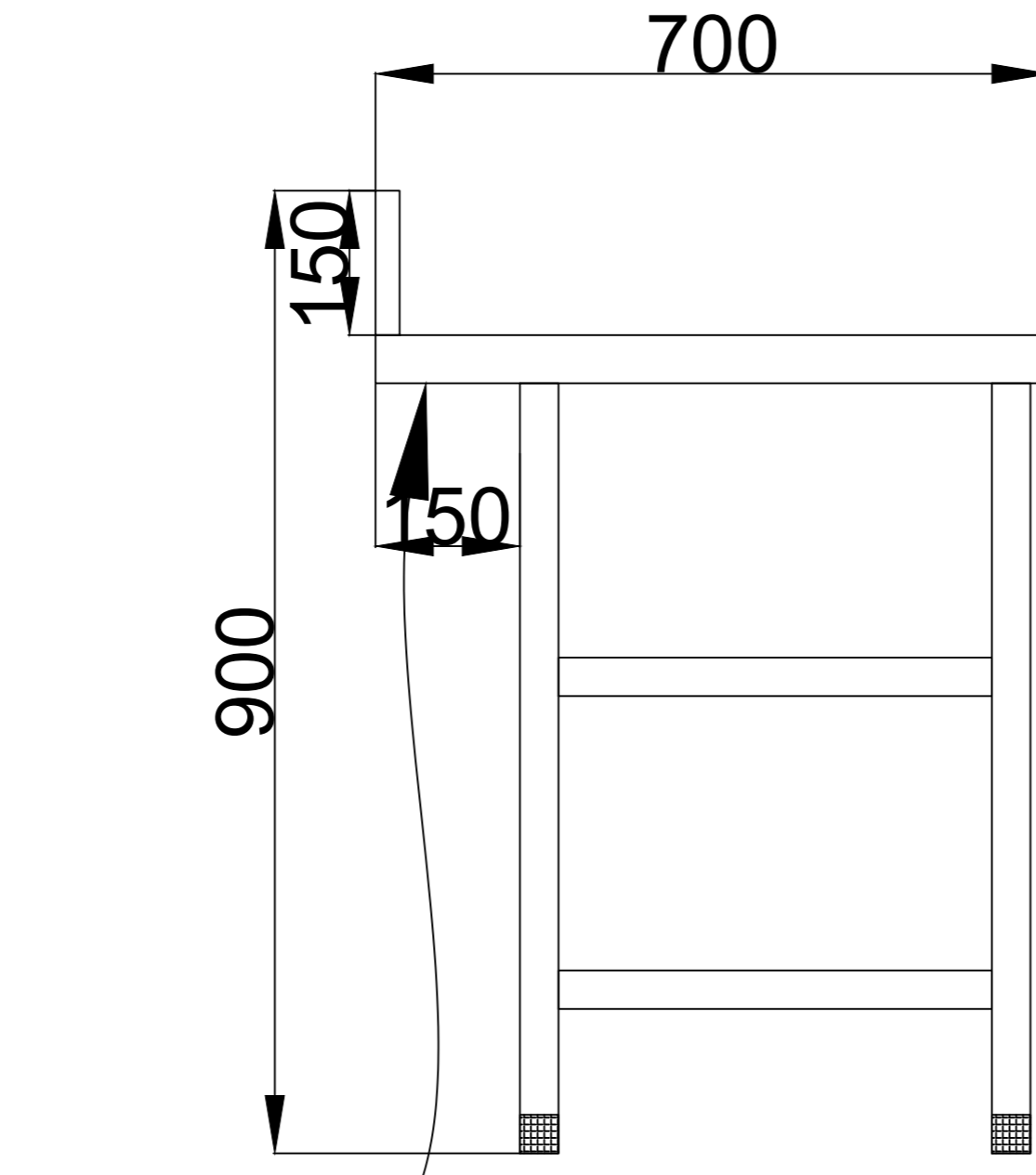
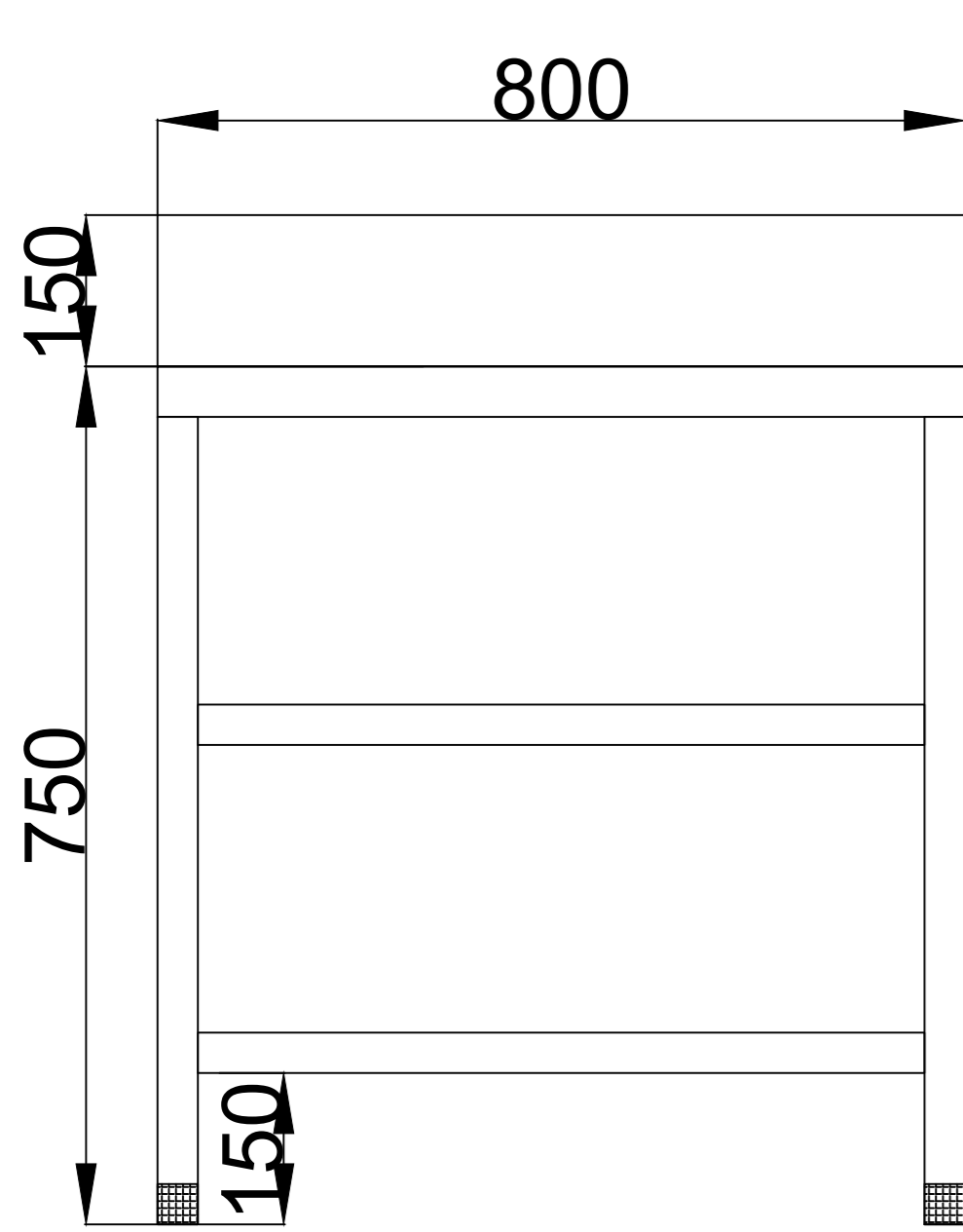
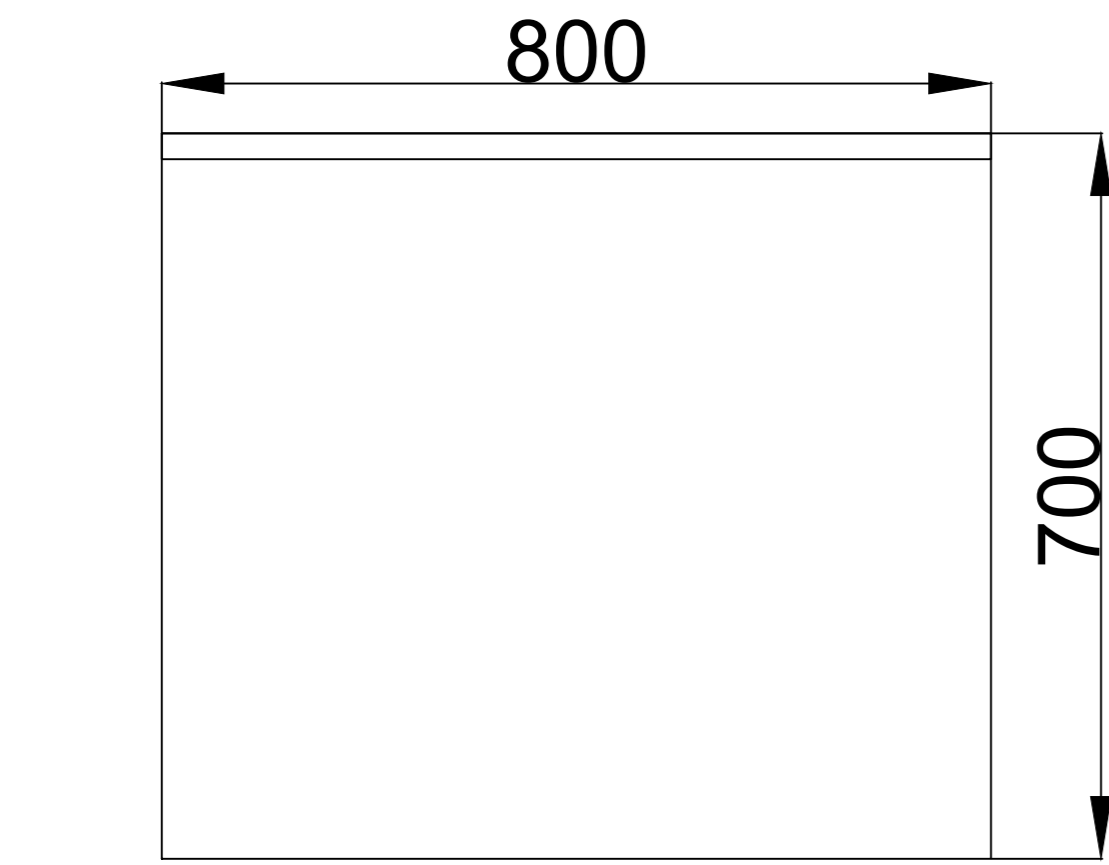
01

DIMENSION - 800 x 700 x 750 + 150 mm

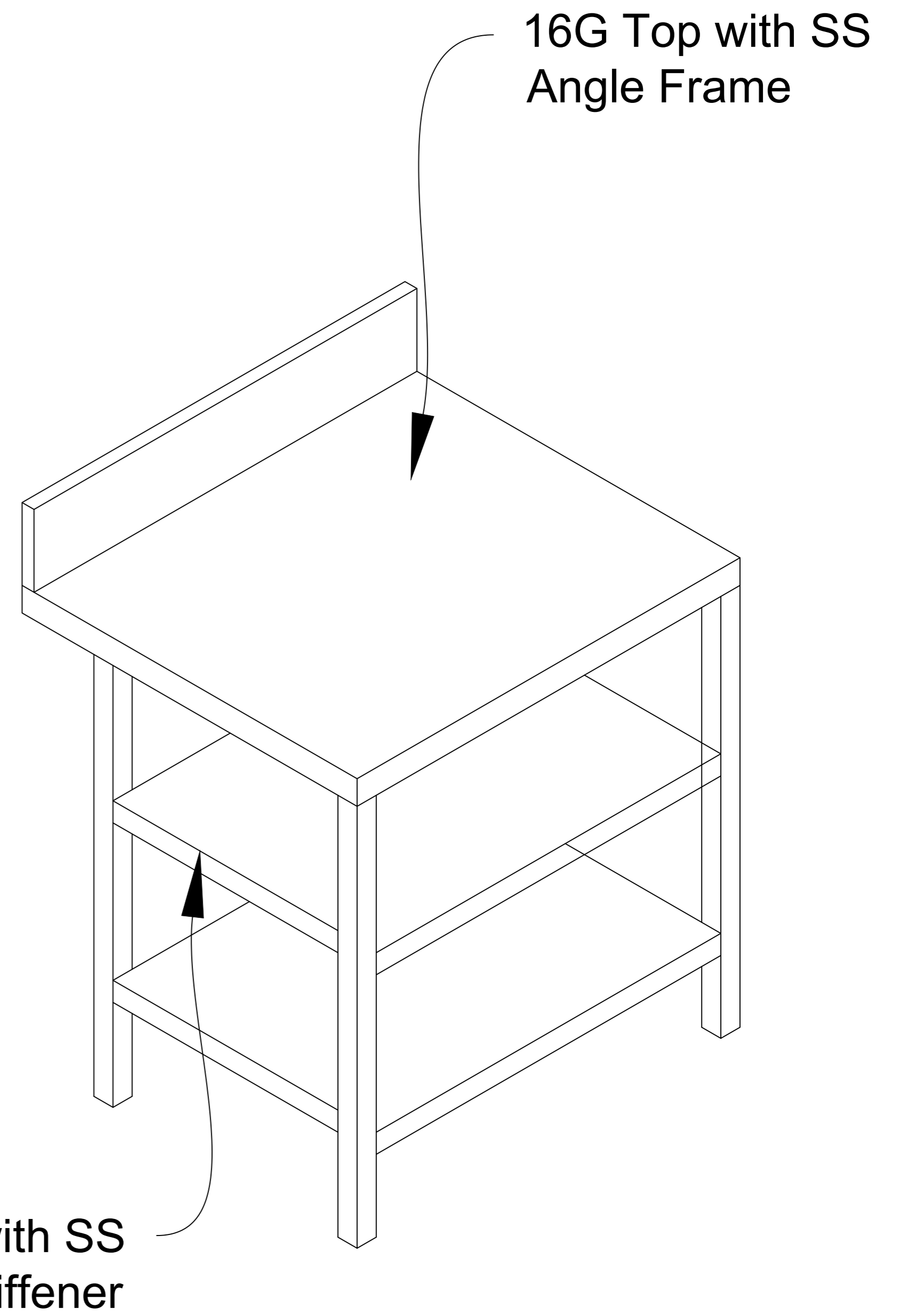
SPECIFICATION FOR : - Hot Bain Marie with Sneeze Guard

TOP VIEW

- * TOP 16 GAUGE 304 GRADE S.S TO USE
- * FRAME WORK : S.S ANGLE 304 GRADE 35X35X5MM THICKNESS FRAME WORK
- * 38 MM S.S 304 SQUARE PIPE 16 GAUGE.



Offset



IMPORTANT

- INDICATIVE DRAWING
- FINAL SHOP DRAWING TO BE PROVIDED BY FABRICATOR AFTER CHECK AT SITE FOR APPROVAL BY CONSULTANT
- ONLY STAMPED & SIGNED SHOP DRAWINGS TO BE USED FOR FINAL FABRICATION.
- All Design & Drawing are the Property of IHP Design and Not to be Used Copied or Reproduced Without Prior Written Permission.