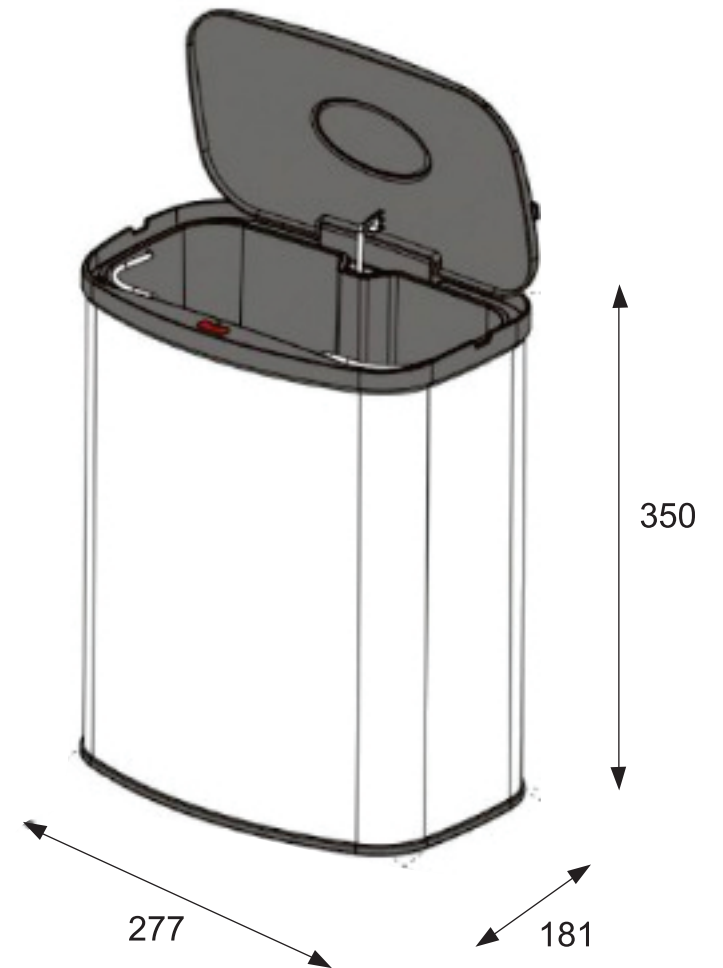




Dolphy India / Australia
The sign of quality

DABN2-8L



Specifications

KEY FEATURES

Model No	DABN2-8L
Material	Stainless Steel
Color	Silver & Black
Operation	Sensor, Battery Operated
Total Capacity	8 Liters
Compartment	1
Battery	2 X D Size Duracell (Battery Not Included)
Size	277X181X350 mm

All dimensions are in mm