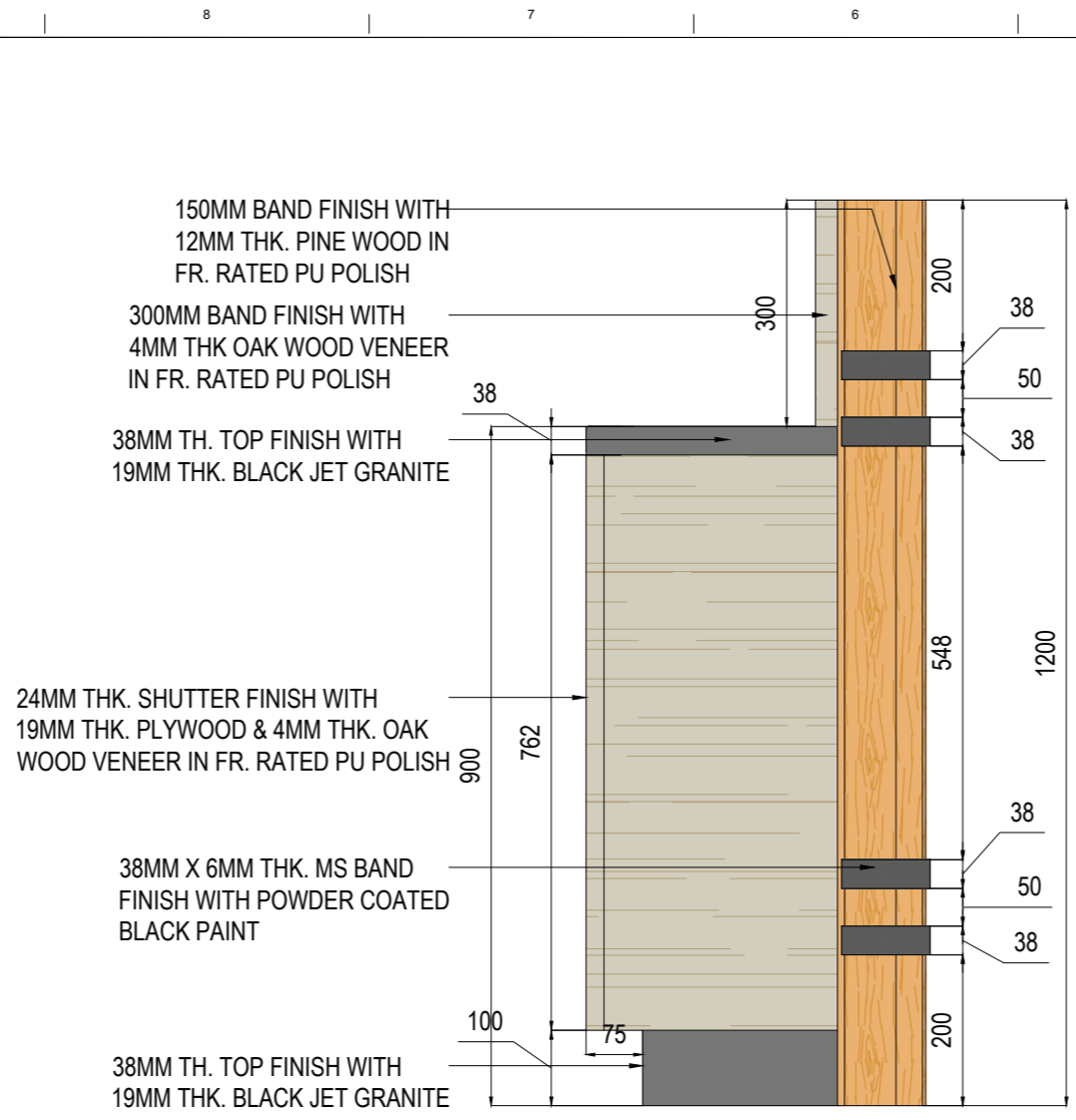
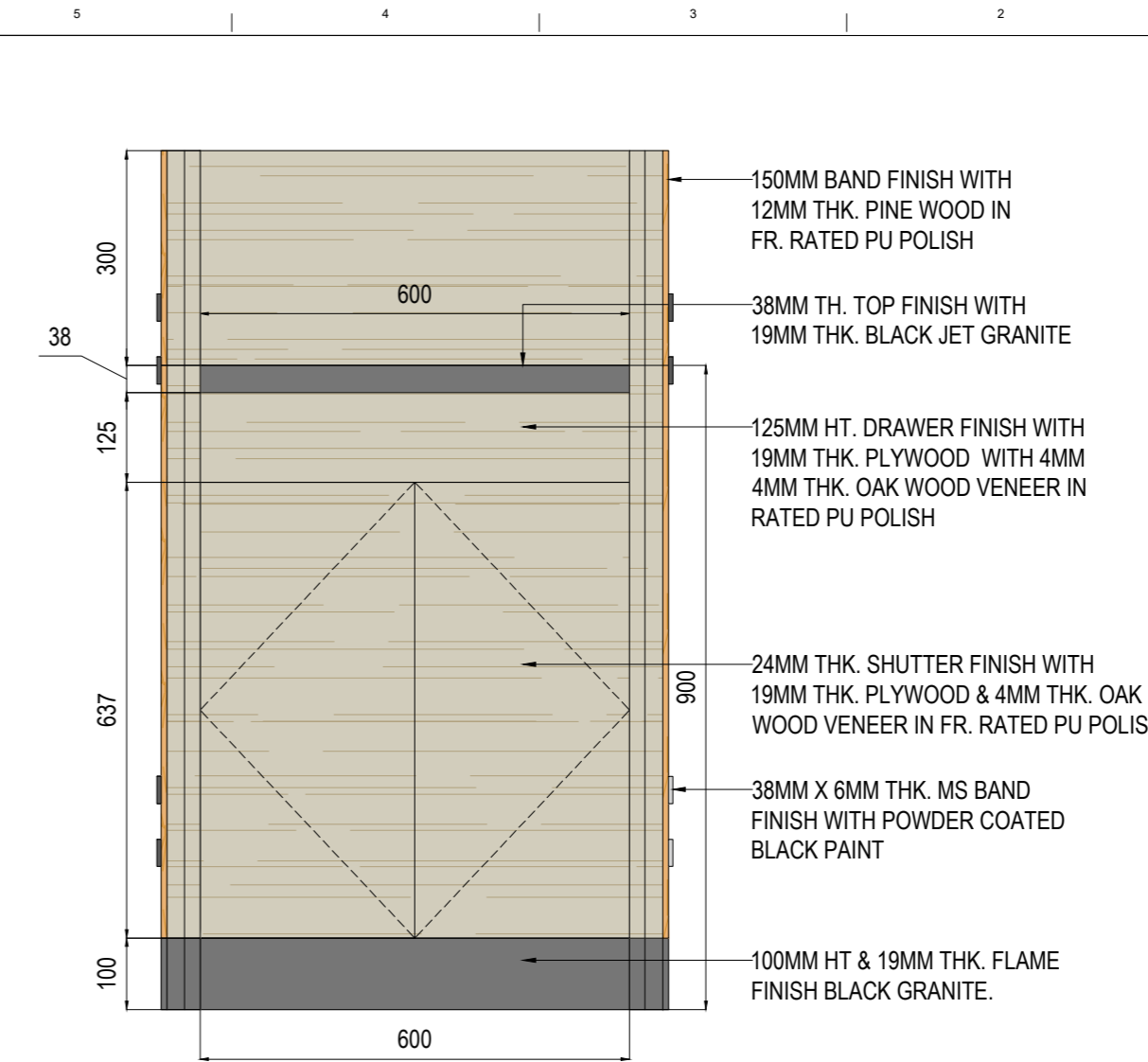


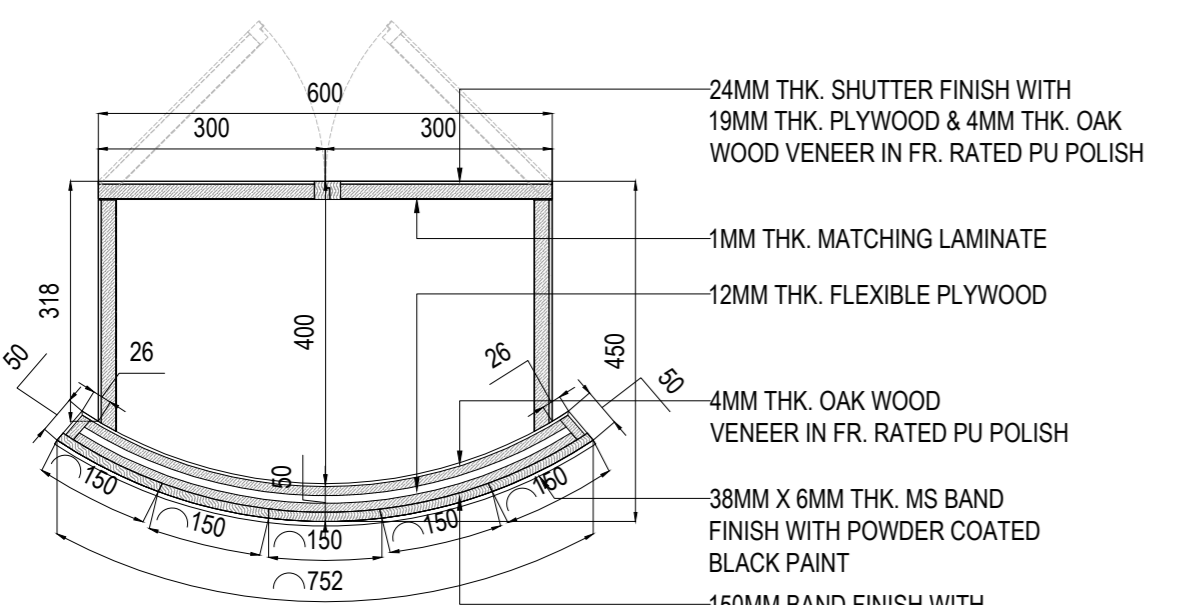
ELEVATION H1
SCALE 1:10



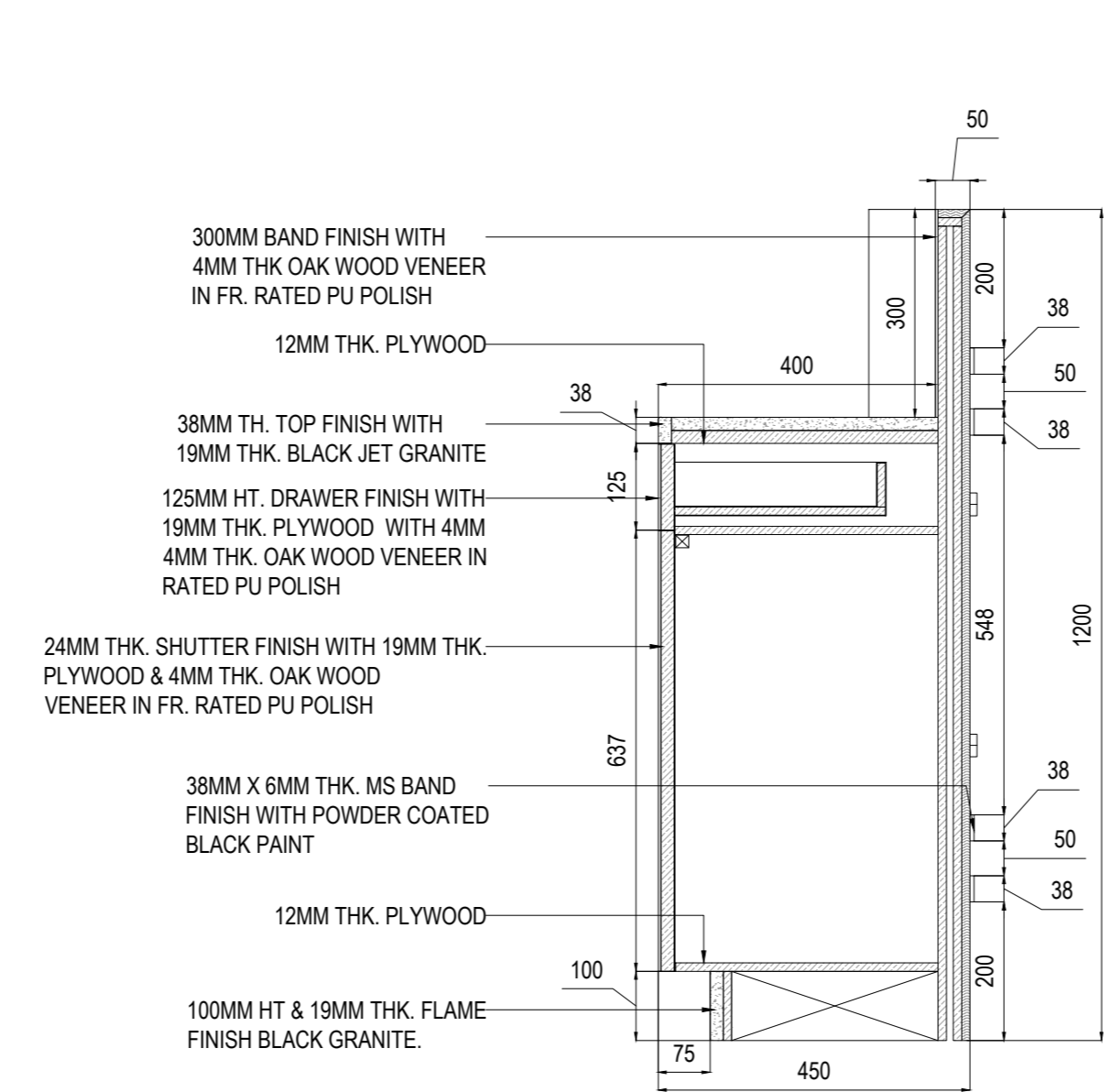
ELEVATION H2
SCALE 1:10



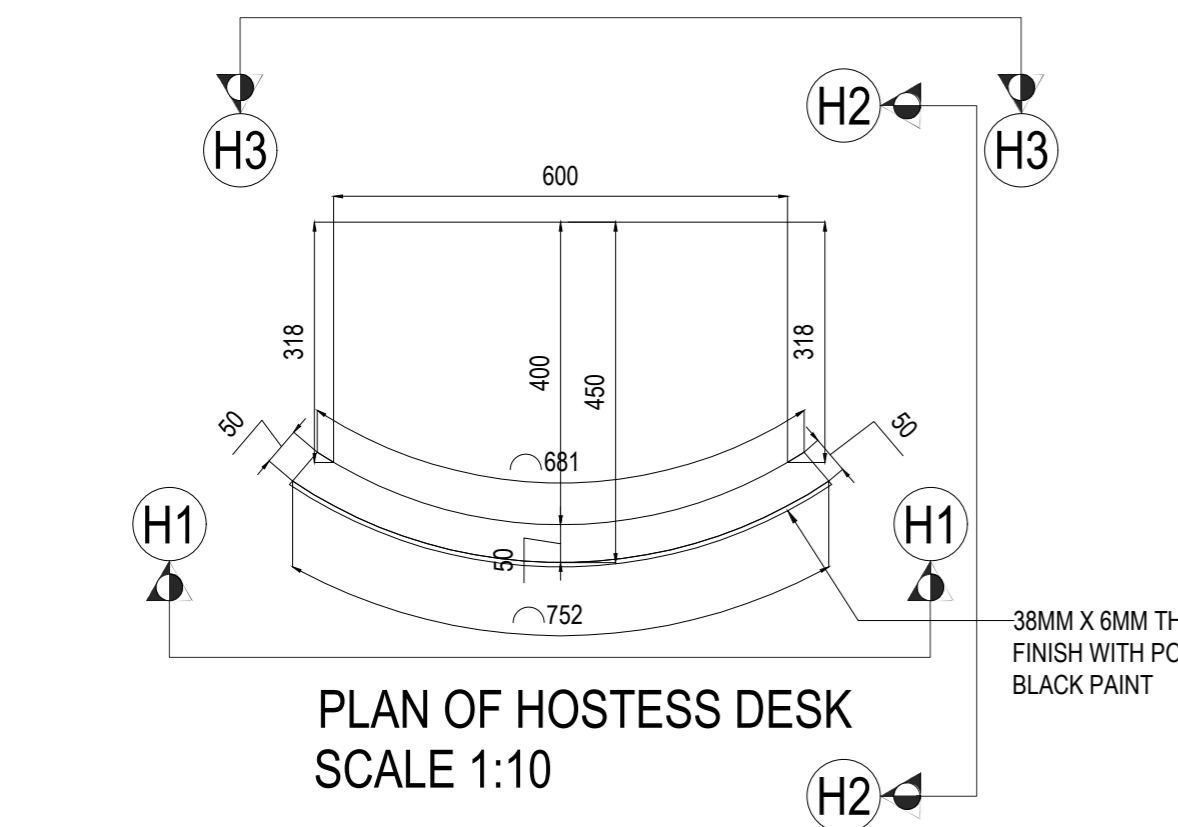
ELEVATION H3
SCALE 1:10



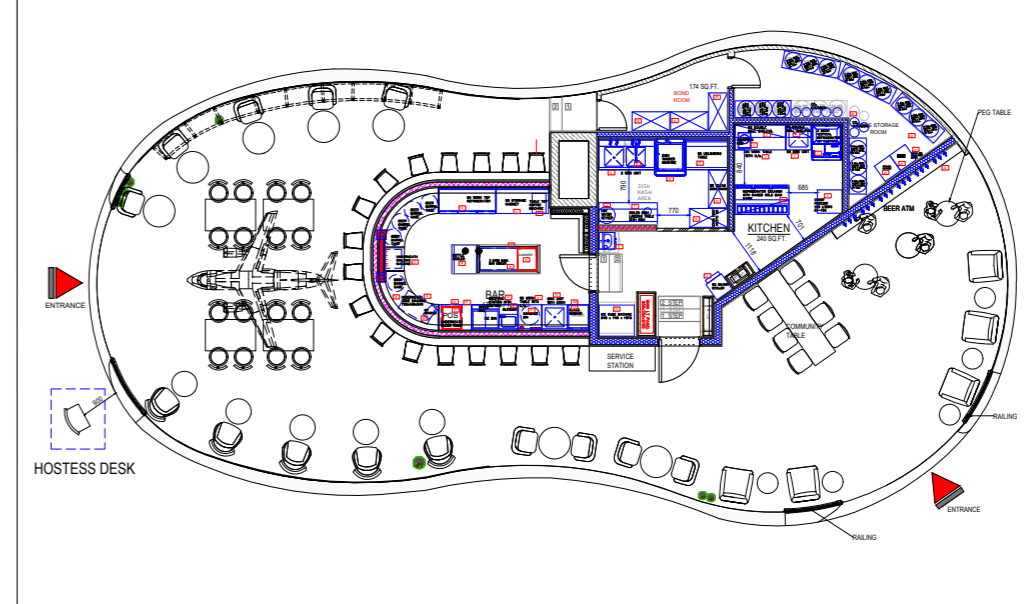
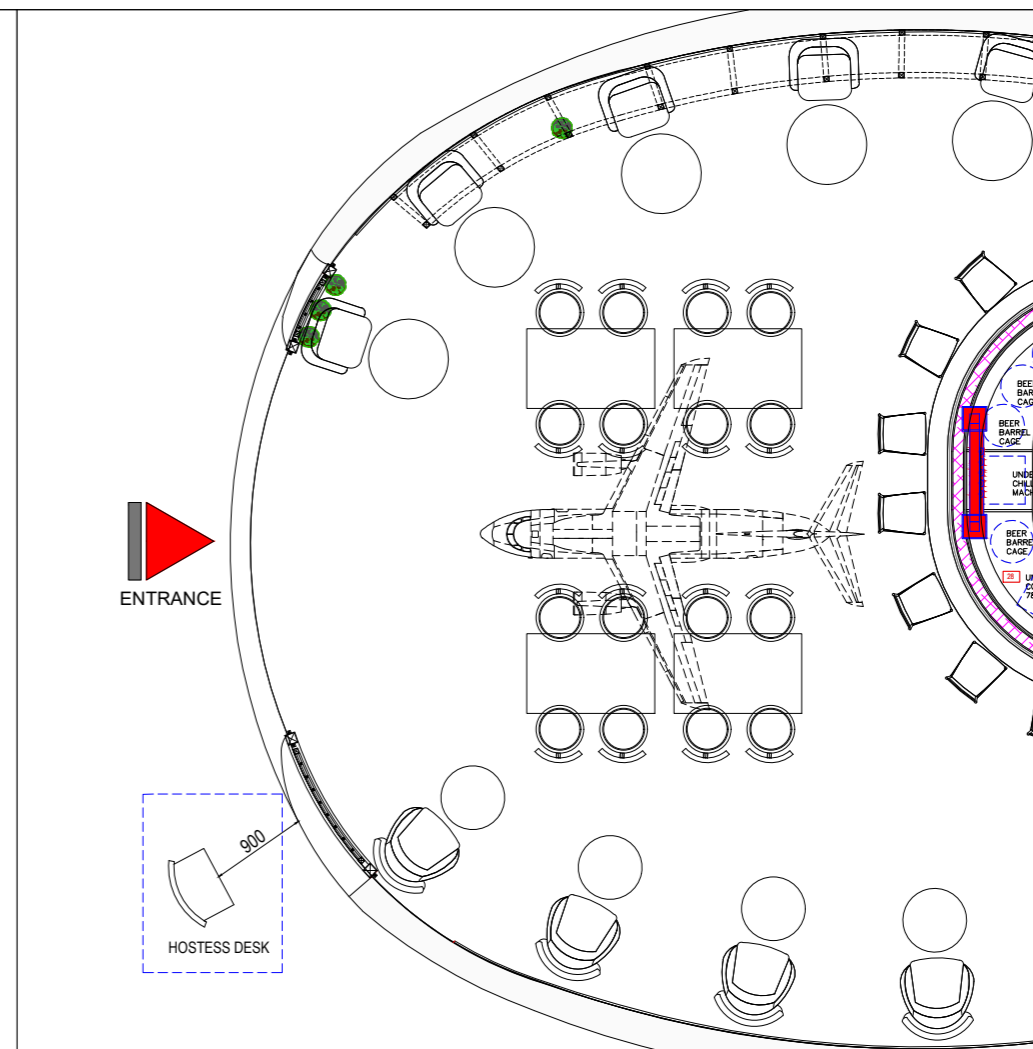
SECTION W1
SCALE 1:10



SECTION W2
SCALE 1:10



PLAN OF HOSTESS DESK
SCALE 1:10



NO.	REV.	DATE	DESCRIPTION
1			
2			
3			
4			
5			
6			
7			
8			
9			
10			
11			
12			
13			
14			
15			
16			
17			
18			
19			
20			
21			
22			
23			
24			
25			
26			
27			
28			
29			
30			
31			
32			
33			
34			
35			
36			
37			
38			
39			
40			
41			
42			
43			
44			
45			
46			
47			
48			
49			
50			

GFC DRAWING

NO.	REV.	DATE	DESCRIPTION
1			
2			
3			
4			
5			
6			
7			
8			
9			
10			
11			
12			
13			
14			
15			
16			
17			
18			
19			
20			
21			
22			
23			
24			
25			
26			
27			
28			
29			
30			
31			
32			
33			
34			
35			
36			
37			
38			
39			
40			
41			
42			
43			
44			
45			
46			
47			
48			
49			
50			

NO.	REV.	DATE	DESCRIPTION	ISSUED TO
1				
2				
3				
4				
5				
6				
7				
8				
9				
10				
11				
12				
13				
14				
15				
16				
17				
18				
19				
20				
21				
22				
23				
24				
25				
26				
27				
28				
29				
30				
31				
32				
33				
34				
35				
36				
37				
38				
39				
40				
41				
42				
43				
44				
45				
46				
47				
48				
49				
50				

DESIGN BY	DRAWN BY	CHECKED BY	APPROVED BY
RAJAN	ALTAJ	RAJAN	AURA DOZYNE

HOSTESS DESK DETAIL OF IRISH HOUSE INT. T2 BIAL
179.95 SQMTRS (3763 - 29)