



C01 21.05.24 GOOD FOR CONSTRUCTION HOD NM
REV DATE DESCRIPTION DRN CHK

LIST OF DRAWINGS		
#	DESCRIPTION	DWG.No
1	COVER PAGE	02GA-001
2	GENERAL NOTES & FINISHES SCHEDULE PART-A	02GA-002
3	FINISHES SCHEDULE PART-B	02GA-003
4	LIGHT , FIXTURE & FURNITURE LEGEND	02GA-004
5	DETAIL DRAWING LEGEND	02GA-005
Plans		
6	GENERAL ARRANGEMENT PLAN	02GA-100
7	EQUIPMENT LAYOUT	02GA-101
8	SETTING OUT PLAN	02GA-102
9	FURNITURE SETTING OUT PLAN	02GA-103
10	FLOORING LAYOUT	02GA-104
11	CEILING LAYOUT & SCHEDULE	02GA-105
12	CEILING SECTIONAL DETAIL	02GA-105A
13	LIGHTING LAYOUT & SCHEDULE	02GA-105B
14	WALL FINISHES	02GA-106

Elevations & Sections		
15	ELEVATION-01	03IL-300
16	ELEVATION-02	03IL-301
17	ELEVATION-03	03IL-302
18	SECTION-01 & J19-WALL MOUNT SHELF DETAIL	03IL-303
19	SECTION-02	03IL-304
Detail Drawings		
20	J01-ORDER COUNTER DETAIL:PART-A	04DE-400A
21	J01-ORDER COUNTER DETAIL:PART-B	04DE-400B
22	J02-PICK-UP COUNTER DETAIL:PART-A	04DE-401A
23	J02-PICK-UP COUNTER DETAIL:PART-B	04DE-401B
24	J03-REAR COUNTER DETAIL:PART-A	04DE-402A
25	J03-REAR COUNTER DETAIL:PART-B	04DE-402B
26	J04-BANQUETTE -01 & 02 DETAIL:PART-A	04DE-403A

27	J04-BANQUETTE -01 & 02 DETAIL:PART-B	04DE-403B
28	J05-COMMUNITY TABLE DETAIL	04DE-404
29	J06-PARTITION WALL -01 & 02 DETAIL	04DE-405
30	J07-PARTITION WALL -03,05,06 DETAIL PART:A	04DE-406A
31	J07-PARTITION WALL -03,05,06 DETAIL PART:B	04DE-406B
32	J08-PARTITION WALL -04 DETAIL	04DE-407
33	J09-FACADE BULKHEAD DETAIL	04DE-408
34	J10-BAR SHELF DETAIL	04DE-409
35	J11-WAITER STATION DETAIL	04DE-410
36	J12-CEILING ELEMENT-01 DETAIL	04DE-411A
37	J20-CEILING ELEMENT-02 DETAIL	04DE-411B
38	J13-SERVERY BULKHEAD DETAIL	04DE-412
39	J14-WET&DRY BIN DETAIL	04DE-413
40	J15-SWING DOOR (SD) & J16-DOOR(D1) DETAIL	04DE-414
41	J17-LEDGE DETAIL	04DE-415
42	J18-TROLLEY STATION DETAIL	04DE-416
43	J21-SIGNAGE DETAIL	04DE-417



PROJECT
**JAMIE OLIVERS PIZZERIA
HYDERABAD AIRPORT**

DRAWING TITLE
COVER PAGE

SCALE NTS DATE 21.05.2024 DRAWN HOD A3 SHEET

STATUS
GOOD FOR CONSTRUCTION

ORG PROJECT NO DRAWING TYPE NUMBER REV
TFS XXXX 02GA 001 C01

GENERAL NOTES

ALL DIMENSIONS ARE IN MM UNLESS OTHERWISE MENTIONED.
DO NOT SCALE THE DRAWING.
FOLLOW WRITTEN DIMENSIONS ONLY. IN CASE OF ANY DISCREPANCY IN DIMENSIONS/DETAILS AT SITE, PLEASE REFER IT BACK TO THE ARCHITECT.

THE MAIN CONTRACTOR IS EXPECTED TO COORDINATE THE DESIGNS/SITE EXECUTION WITH THE DESIGNS/DETAILS/WORKS OF THE SUB-CONTRACTOR/ VENDOR (E.G. PLUMBING CONTRACTOR). IN CASE OF ANY DISCREPANCY IN DIMENSIONS/DETAILS AT SITE, PLEASE REFER IT BACK TO THE ARCHITECT.

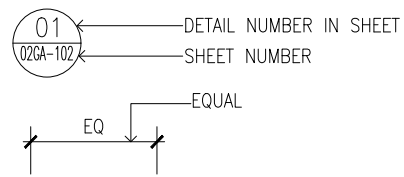
THE DRAWINGS/ DETAILS PROVIDED ARE MEANT TO CLARIFY DESIGN INTENT/DESIGN APPEARANCE ONLY. THE CONTRACTOR IS EXPECTED TO DEVELOP HIS/HER OWN DETAILS TO ENSURE STRUCTURAL STABILITY/ FUNCTIONING OF THE DETAIL IN LINE WITH THE DESIGN INTENT GIVEN.

THE DRAWINGS/DETAILS PROVIDED DO NOT CONTAIN ANY IRONMONGERY (E.G. HINGES, SCREWS, ANGLES ETC.) SPECIFICATIONS OR DETAILS. IT IS EXPECTED THE CONTRACTOR WILL SUITABLY DETAIL THE BUILD-UPS WITH THE RIGHT FITTINGS/IRONMONGERY TO ENSURE STRUCTURAL STABILITY/ FUNCTIONING OF THE DETAIL IN LINE WITH THE DESIGN INTENT GIVEN.

ALL SHOP DRAWINGS, MAKE/MATERIAL, FIXTURES TO BE PRESENTED TO ARCHITECT FOR REVIEW AND VALIDATION.

ALL TAP-OFF POINTS (E.G. FOR POWER, WATER, DRAINAGE ETC.) TO BE VALIDATED AT SITE PRIOR TO COMMENCEMENT OF WORK.

SYMBOLS & ABBREVIATIONS



[AIRPORT FFL] - REFERS TO EXISTING FINISHED FLOOR LEVEL OF AIRPORT

ALL DIMENSIONS MUST BE CHECKED ON SITE
INFORM THE ARCHITECT OF ANY DISCREPANCIES PRIOR TO CONSTRUCTION

FINISHES SCHEDULE								
#	FINISH CODE	SURFACE	FINISH TYPE	DESCRIPTION/DETAIL	FINISH	REFERENCE/BRAND	WEBLINK	IMAGE
ALL MATERIAL / PAINTS TO BE FIRE RATED AS PER AIRPORT REQUIREMENT								
WOOD								
1	WD01	CBLING ELEMENT	WOOD	30MM THK OAK WOOD PLANKS (TO MATCH WITH OAK WOOD LAMINATE-LM01)	MATTE	LOCALLY SOURCED	NA	
2	WD02	COMMUNITY TABLE	WOOD	50X75 MM THK OAK WOOD PLANKS (TO MATCH WITH OAK WOOD LAMINATE-LM01)	MATTE	LOCALLY SOURCED	NA	
PAINT								
3	PT01	WALL,BULKHEAD,PARTITION WALL-01 & 02,SWING DOOR	TEXTURE PAINT	CONCRETE EFFECT TEXTURE PAINT	MATTE	ASIAN PAINTS/EQUIVALENT	https://www.asianpaints.com/catalogue/interior-textures/stucco-marble-lxe1007cmb1001.html	
4	PT02	PARTITION WALL-01 & 02, SERVERY BULKHEAD, METAL FRAMES,DOOR	ENAMEL	GREY COLOUR PAINT RAL:7022	MATTE	DULUX TRADE PAINT/EQUIVALENT	https://www.duluxtradepaintexpert.co.uk/en/products/dulux-trade-vinyl-soft-sheen/ccclid_1780528?size=2.5L	
5	PT03	WALL,PARTITION WALL 03	EMULSION	GREY COLOUR PAINT RAL:7022	MATTE	DULUX TRADE PAINT/EQUIVALENT	https://www.duluxtradepaintexpert.co.uk/en/products/dulux-trade-vinyl-soft-sheen/ccclid_1780528?size=2.5L	
6	PT04	BAR SHELF,SWING DOOR	ENAMEL	JET BLACK COLOUR PAINT RAL:9005	MATTE	DULUX TRADE PAINT/EQUIVALENT	https://www.duluxtradepaintexpert.co.uk/en/products/dulux-trade-vinyl-soft-sheen/ccclid_1780569?size=2.5L	
7	PT05	GYP SUM CBLING	EMULSION	LIGHT GREY COLOUR PAINT RAL:7035	MATTE	DULUX TRADE PAINT/EQUIVALENT	https://www.duluxtradepaintexpert.co.uk/en/products/dulux-trade-vinyl-soft-sheen/ccclid_1780537?size=1L	
8	PT06	CBLING ELEMENT-02	ENAMEL	WHITE COLOUR PAINT	MATTE	DULUX TRADE PAINT/EQUIVALENT	https://www.duluxtradepaintexpert.co.uk/en/colours/90rb-83-023-1777372	
LAMINATE								
9	LM01	BANQUETE SEAT,FRONT COUNTER,WAITER STATION, BAR SHELF,COMMUNITY TABLE,LED GE	LAMINATE	OAK WOOD LAMINATE	MATTE	MERINO-GOLDEN SCURO OAK DESIGN:14974	https://www.merinolaminates.com/en/design/14974-antuga-ohio-oak/	
10	LM02	INSIDE LAMINATE,REAR COUNTER,FRONT COUNTER REAR SIDE	LAMINATE	GREY COLOUR LAMINATE	MATTE	CENTURY-GREY CODE:80232	https://www.centuryply.com/centurylaminates/single.php?productid=562	
11	LM03	TROLLEY STATION	LAMINATE	ANTRIM OHIO OAK LAMINATE	MATTE	MERINO DESIGN:14975	https://www.merinolaminates.com/en/design/14975-antrim-ohio-oak/	

C01 21.05.24 GOOD FOR CONSTRUCTION HOD NM
REV DATE DESCRIPTION DRN CHK




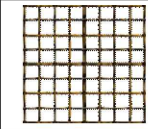





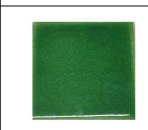



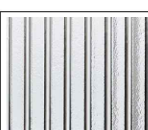
PROJECT
JAMIE OLIVERS PIZZERIA
HYDERABAD AIRPORT

DRAWING TITLE
GENERAL NOTES & FINISHES
SCHEDULE PART-A

SCALE NTS DATE 21.05.2024 DRAWN HOD A3 SHEET

STATUS
GOOD FOR CONSTRUCTION

ORG PROJECT NO DRAWING TYPE NUMBER REV
TFS XXXX 02GA 002 C01

METAL								
12	MT01	SKIRTING	STAINLESS STEEL	BLACKENED STEEL	MATTE	LOCALLY SOURCED	NA	
13	MT02	FACADE BULK-HEAD, PARTITION WALL, CEILING ELEMENT	SQUARE WIRE MESH	COPPER FINISH SQUARE WIRE MESH GAP BETWEEN 50X50 MM	COPPER	LOCALLY SOURCED	NA	
14	MT03	WALL & BOX	COPPER	COPPER SHEET	MATTE	LOCALLY SOURCED	NA	
COUNTER TOP								
15	SU01	COUNTER TOP, WAITER STATION TOP	MARBLE	SEMI HONED FINISH WHITE ONYX MARBLE WITH NECESSARY SEALERS	MATTE	BRAND:REGATTA	https://www.regattaexports.com/product/white-onyx/	
FLOORING								
16	FL01	FLOOR (SEATING AREA)	TILE	WOODEN FINISH HERRINGBONE PATTERN TILE	MATTE	MIKASA FLOOR - OAK MOONLIGHT PRISTINE	https://www.nitco.in/product-details/wooden-vitrified-tiles/oregon-peanut/nttl1073wd13404	
17	FL02	FLOOR (SERVERY & BOH)	KOTA STONE	560X560MM GREY COLOUR KOTA STONE GROUTED WITH GREY COLOUR EPOXY	MATTE	KOTA STONE	https://www.kotastone.com/blue-kotastone-wholesale-exporters.html	
18	FL03	FLOOR TRIM	STAINLESS STEEL	S.S 304 GRADE T-SHAPE TRANSITION TRIM	MATTE	SDS-PROFILES /EQUIVALENT	https://sdsprofile.com/product/ss304-t-patti-t-profile-now-available-in-pune-sds-brand/	
WALL TILES								
19	WT01	PARTITION WALLS, WALL	CERAMIC TILE	150X150MM WHITE SQUARE TILES WITH 1MM SPACER, GROUTED WITH GREY COLOUR EPOXY	GLOSSY	AS PER VENDOR SPECS	NA	
20	WT02	WALL	CERAMIC TILE	150X150MM GREEN COLOUR SQUARE TILES WITH 1MM SPACER, GROUTED WITH GREY COLOUR EPOXY	GLOSSY	AS PER VENDOR SPECS	NA	
21	WT03	COUNTER FASCIA, WALL, PARTITION WALL, BANQUETTE	CERAMIC TILE	150X150MM PINK SQUARE TILES WITH 1MM SPACER, GROUTED WITH GREY COLOUR EPOXY	GLOSSY	AS PER VENDOR SPECS	NA	
22	WT04	WALL (BOH)	CERAMIC TILE	330X330MM WHITE CERAMIC TILE	GLOSSY	RAK-WHITE COLLECTIONS CODE:A04R400-WH0.G0U	https://www.rakceramics.com/en/tiles-floors-coverings/collections/white-collection/	
UPHOLSTERY								
23	UP01	BANQUETTE SEATING	LEATHERETTE	LIGHT PINK COLOUR LEATHERETTE RAL:3015	MATTE	LOCALLY SOURCED	NA	
GLASS								
24	GL01	SERVERY BULK-HEAD, REAR SHELF	GLASS	8MM THK RIBBED GLASS	NEUTRAL	LOCALLY SOURCED	NA	
25	GL02	WALL PARTITION -04	GLASS	8MM THK TOUGHENED GLASS	NEUTRAL	BRAND:SAINT GLOBIN	https://in.saint-gobain-glass.com/toughened-glass	
CONTRACTOR TO SUBMIT SAMPLES FOR APPROVAL								

REV	DATE	DESCRIPTION	HOD	CHK
C01	21.05.24	GOOD FOR CONSTRUCTION		













PROJECT
**JAMIE OLIVERS PIZZERIA
HYDERABAD AIRPORT**

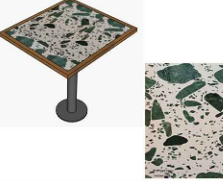



DRAWING TITLE
FINISHES SCHEDULE PART-B

SCALE: NTS DATE: 21.05.2024 DRAWN: HOD A3 SHEET

STATUS
GOOD FOR CONSTRUCTION

ORG	PROJECT NO	DRAWING TYPE	NUMBER	REV
TFS	XXXX	02GA	003	C01

LIGHT & FIXTURES LEGEND					
SL.NO	CODE	DESCRIPTION	QTY	REFERENCE/BRAND	IMAGE
1	LT01	SURFACE MOUNT CYLINDER COB LIGHT ARVA PENDANT LAMP DIA:100MM HEIGHT: 150MM MINIMUM LIGHT TEMP:3000K	9	https://www.homedecorcompany.in/products/hdc-18w-lx-led-black-gold-round-surface-light-cylindrical-shape-cob-ceiling-surface-mounted-spot-light-down-light-wall-lamp-aluminum-body-led-ceiling-spot-light-indoor-%F0%9D%97%AA%F0%9D%97%AF%F0%9D%97%BF%F0%9D%97%BA-%F0%9D%97%AA%F0%9D%97%B8%5%F0%9D%97%B4%F0%9D%98%81%F0%9D%97%B2	
2	LT02	RECESSED DOWN LIGHT DN 391 B LED6S-6500 PSU WH DIA:100MM LIGHT TEMP:3000K	8	https://www.lighting.philips.co.in/prof/indoor-luminaires/downlights/greenperform-dn391-392-393-394-395-downlight/919515810478_EU/product	
3	LT03	PENDANT LIGHT-01 RIBBED GLASS PENDANT OPAL RIBBED GLASS WITH ANTIQUE BRASS TOP DIA:250MM LIGHT TEMP:3000K	4	https://loopsdirect.com/products/hanging-ceiling-pendant-light-brass-ribbed-glass-round-lamp-shade-bulb-holder	
4	LT04	PENDANT LIGHT-02 METAL PENDANT FIXTURE WITH GLASS SHADE DIA:350MM LIGHT TEMP:3000K	9	https://www.lowes.com/pd/Aiwen-Modern-1-Light-Pendant-Light-Hanging-Ceiling-Light-with-Globe-Glass-Lampshade/5014075899	
5	LT05	HATCO HEAT LAMP WITH RIGID STEM MODEL-DL750 ANTIQUE COPPER FINISH DIA - 241MM	3	https://www.hatcocorp.com/en/equipment/food-holding-serving-equipment/restaurant-lighting/decorative-lamp-dl-750	
6	LT05	TRACK LIGHT TRACK - BLACK FINISH - 3200M LENGTH LIGHT - BLACK BODY- 65MM DIA, 157MM HIGH LIGHT TEMP:3000K	4	https://www.thelightkart.com/product/arc-led-lighting-led-track-light-b1202/	
7	LT05	600X600MM LED PANEL LIGHT LEDINAIRE PANEL LIGHT W ALTAIGE:-34W LIGHT TEMP:4000K	8	https://www.lighting.philips.com/prof/indoor-luminaires/recessed/ledinaire-panel/911401850682_EU/product	
8	LT06	LED STRIP LIGHT LED STRIP LIGHT WITH DIFFUSER LIGHT TEMP:3000K	53.50 R/M	https://havells.com/en/consumer/lighting/led%20strips/flexion-strip-light/flexion-led-strip-24-w-rgb.html	
9	DD1	55" DIGITAL DISPLAY LG OLED EVO G2 55 4K SMART TV/ EQUIVALENT	1	https://www.lg.com/in/lifestyle-screens/gallery-edition/oled55g2psa/	
10	DD2	43" DIGITAL DISPLAY LG UHD TV 43 inch-43UR8020PSB/ EQUIVALENT	2	https://www.lg.com/in/tvs/lg-43ur8020psb	

FURNITURE LEGEND							
SL.NO	CODE	QTY	NAME & DESCRIPTION	MEASUREMENTS	REFERENCE/BRAND	FABRIC/LAMINATE LINK	IMAGE
1	TB01	6	SQUARE TABLE TOP FINISH-TERRAZZO SIDES FINISHED WITH TEAK WOOD BEADING FINISHED WITH PU LEG : STEEL TUBE EPOXY POWDER COATED WITH BLACK RAL 9005 TABLE BASE : STEEL POWDER COATED BLACK COLOUR BASE (RAL 9005) WITH STAINLESS STEEL CAP	TOTAL HEIGHT : 760MM LENGTH :750MM BREADTH : 750MM LEG : 63MM DIA TABLE BASE : 250MM DIA	TERRAZZO REFERENCE KALINGA STONE CODE- EXOTIC GREEN	-	
2	CH01	6	DINING CHAIR SEAT : UPHOLSTERED WITH COMMERCIAL VINYL LEGS : BEECH BENT WOOD WITH CLEAR PU BACK REST : BEECH BENT WOOD FRAME WITH WOVEN RATTEN	TOTAL HEIGHT : 850MM SEAT HEIGHT : 460MM SEAT WIDTH : 480MM SEAT DEPTH : 530 MM	https://conceptcollections.au/products/sienna-rattan-chair	UPHOLSTERY COLOR REFERENCE https://www.allvinylfabrics.com/product/graphite/	
3	CH02	6	DINING CHAIR SEAT : UPHOLSTERED WITH COMMERCIAL VINYL LEGS : BEECH BENT WOOD WITH LACQUER PAINT - RAL6000 BACK REST : BEECH BENT WOOD FRAME WITH WOVEN RATTEN	TOTAL HEIGHT : 800MM SEAT HEIGHT : 460MM SEAT WIDTH : 450MM SEAT DEPTH : 535 MM	https://www.designknb.com/products/n-811-cane-chair-beech-chair-by-ton-sold-in-a-set-of-2-chairs?pr_prod_strat=e5_desc&pr_rec_id=ecb0890cf&pr_rec_pid=6607005352110&pr_ref_pid=6606879424686&pr_seq=uniform	UPHOLSTERY COLOR REFERENCE https://www.allvinylfabrics.com/product/graphite/	
4	CH03	4	LOW HEIGHT DINING STOOL PADDED SEAT : UPHOLSTERED WITH COMMERCIAL VINYL LEGS : OAK WOOD WITH CLEAR PU	SEAT HEIGHT : 460MM SEAT WIDTH : 475MM SEAT DEPTH : 405 MM	https://www.thedesignlibrary.co.nz/products/padded-oak-barstool/	UPHOLSTERY COLOR REFERENCE https://www.decorativefabricsdirect.com/STARBOARD-PINK-pj/STB27.htm	

C01 21.05.24 GOOD FOR CONSTRUCTION HOD NM
REV DATE DESCRIPTION DRN CHK



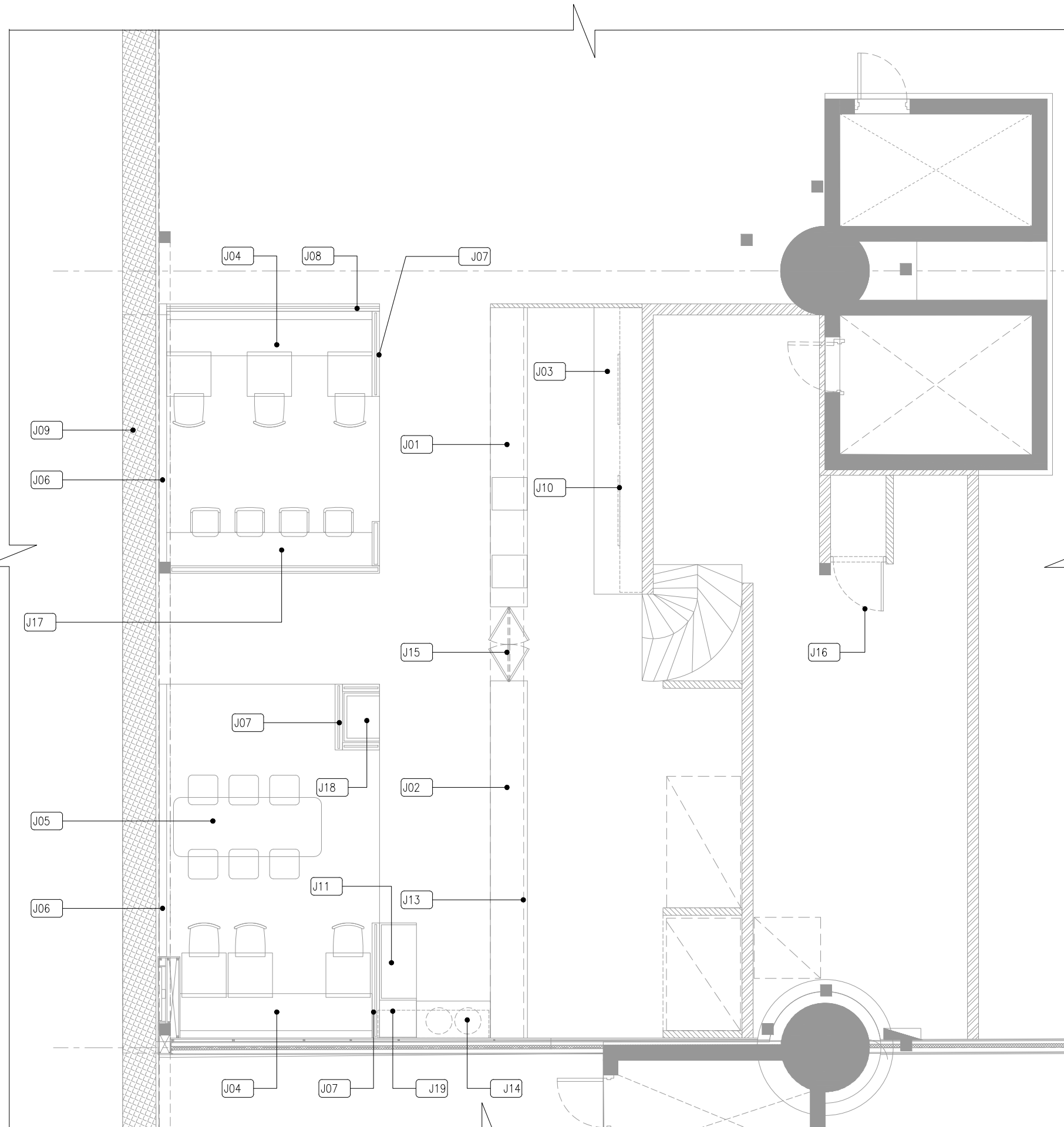
PROJECT
**JAMIE OLIVERS PIZZERIA
HYDERABAD AIRPORT**

DRAWING TITLE
**LIGHT, FIXTURE & FURNITURE
LEGEND**

SCALE NTS DATE 21.05.2024 DRAWN HOD A3 SHEET

STATUS
GOOD FOR CONSTRUCTION

ORG PROJECT NO DRAWING TYPE NUMBER REV
TFS XXXX 02GA 004 C01



DETAIL DRAWING LEGEND		
CODE	DESCRIPTION	ADDITIONAL INFORMATION
J01	ORDER COUNTER	REFER: 04DE-400A, 04DE-400B
J02	PICK-UP COUNTER	REFER: 04DE-401A, 04DE-401B
J03	REAR COUNTER	REFER: 04DE-402A, 04DE-402B
J04	BANQUETTE -01 & 02	REFER: 04DE-403A, 04DE-403B
J05	COMMUNITY TABLE	REFER: 04DE-404
J06	PARTITION WALL -01 & 02	REFER: 04DE-405
J07	PARTITION WALL -03,05,06	REFER: 04DE-406A, 04DE-406B
J08	PARTITION WALL -04	REFER: 04DE-407
J09	FACADE BULKHEAD	REFER: 04DE-408
J10	BAR SHELF	REFER: 04DE-409
J11	WAITER STATION	REFER: 04DE-410
J12	CEILING ELEMENT -01	REFER: 04DE-411A
J13	SERVERY BULKHEAD	REFER: 04DE-412
J14	WET&DRY BIN	REFER: 04DE-413
J15	SWNG DOOR (SD)	REFER: 04DE-414
J16	DOOR (D1)	REFER: 04DE-414
J17	LEDGE	REFER: 04DE-415
J18	TROLLEY STATION	REFER: 04DE-416
J19	WALL MOUNT SHELF	REFER: 03IL-303
J20	CEILING ELEMENT -02	REFER: 04DE-411B

01 DETAIL DRAWING LEGEND
02GA-005 1:90

C01 21.05.24 GOOD FOR CONSTRUCTION HOD NM
REV DATE DESCRIPTION DRN CHK



PROJECT
JAMIE OLIVERS PIZZERIA
HYDERABAD AIRPORT


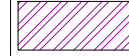



DRAWING TITLE
DETAIL DRAWING LEGEND

SCALE 1:60 DATE 21.05.2024 DRAWN HOD A3 SHEET

STATUS
GOOD FOR CONSTRUCTION

ORG PROJECT NO DRAWING TYPE NUMBER REV
TFS XXXX 02GA 001 C01

 INDICATES UNIT DEMISE
 INDICATES SIGNAGE

SL.NO	PARTICULARS	SYMBOL	HEIGHTS (MM)
01	EXISTING WALL/COLUMN		-
02	PROPOSED 150MM THK DRY PARTITION WALL		+3000
03	PROPOSED 100MM THK DRY PARTITION WALL		+3000
04	PROPOSED 75MM THK DRY PARTITION WALL		+3000
05	PROPOSED 50MM THK DRY PARTITION WALL		+3000

DOOR SCHEDULE						
CODE	TYPE	SIZE(MM)	SWING	LOCK	FIRE RATING	NOS.
D1	WOODEN FLUSH CORE DOOR (WITHOUT VISION PANEL)	750x2100	OUTSIDE	NO	1 HOUR	1
SD	SWING DOOR(DOUBLE SWING)	1000x900	BOTH	NO	1 HOUR	1

BOX LEGEND				
CODE	NAME	SIZE(MM)	HEIGHT(MM)	NOS
BX01	BOX 01	REF:02GA-102	+3000	1

COVERS		
SL.NO	DESCRIPTION	COUNT
01	PERCH SEATING	04
02	BANQUETTE SEATING	12
03	COMMUNITY SEATING	06
TOTAL		22

AREA STATEMENT		
SL.NO	DESCRIPTION	AREA M ²
01	SEATING AREA	42.85
02	SERVERY	28.33
03	BOH	28.37
TOTAL		99.55

DIGITAL DIPLAY			
CODE	SIZE	NAME	NOS.
DD1	1236X718	55" TV	1
DD2	953X536	43" TV	2

C01 21.05.24 GOOD FOR CONSTRUCTION HOD NM
REV DATE DESCRIPTION DRN CHK



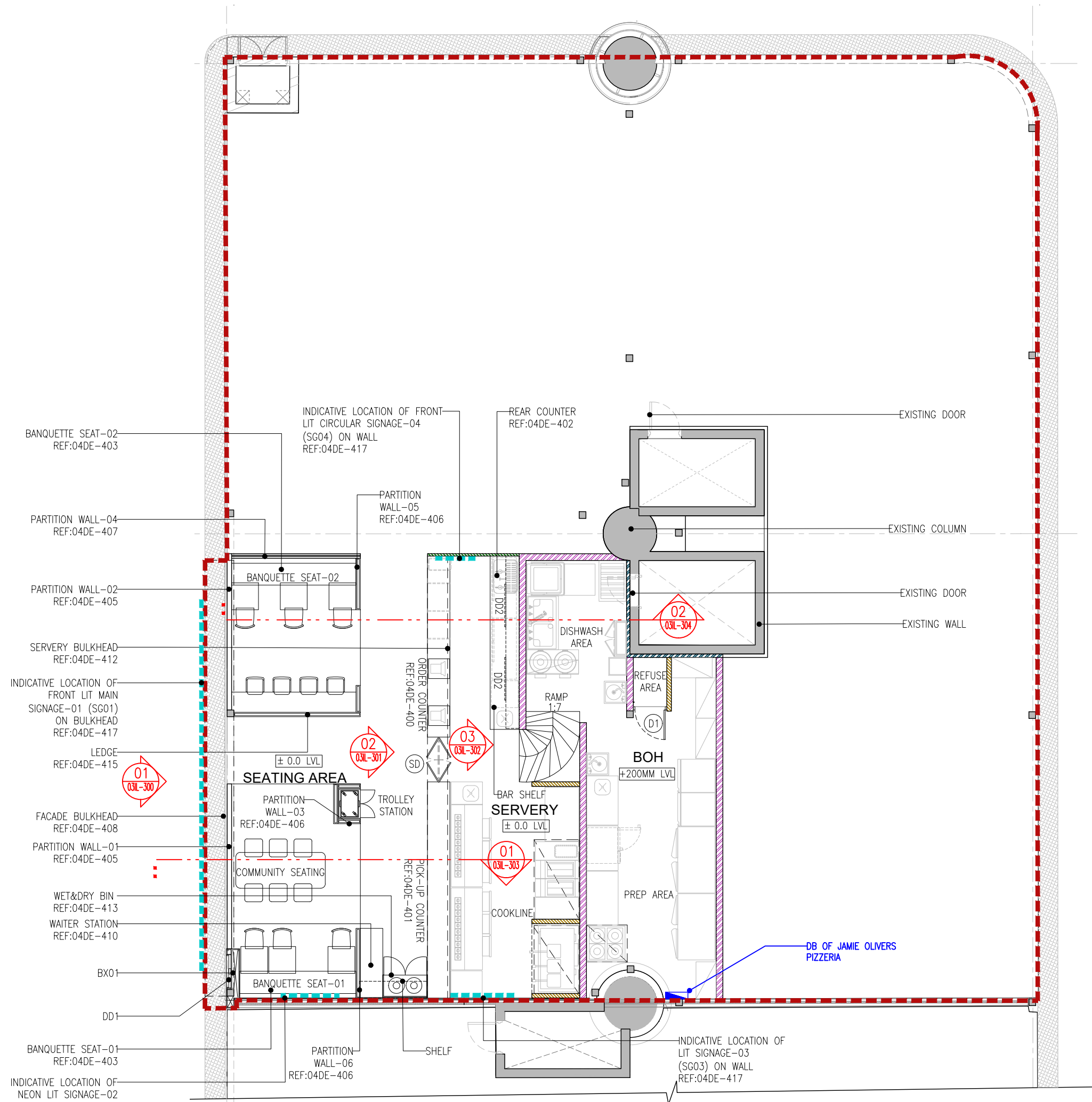
PROJECT
**JAMIE OLIVERS PIZZERIA
HYDERABAD AIRPORT**

DRAWING TITLE
GENERAL ARRANGEMENT PLAN

SCALE 1:90 DATE 21.05.2024 DRAWN HOD A3 SHEET

STATUS
GOOD FOR CONSTRUCTION

ORG PROJECT NO DRAWING TYPE NUMBER REV
TFS XXXX 02GA 100 C01



BANQUETTE SEAT-02
REF:04DE-403

PARTITION WALL-04
REF:04DE-407

PARTITION WALL-02
REF:04DE-405

SERVERY BULKHEAD
REF:04DE-412

INDICATIVE LOCATION OF
FRONT LIT MAIN
SIGNAGE-01 (SG01)
ON BULKHEAD
REF:04DE-417

LEDGE
REF:04DE-415

FACADE BULKHEAD
REF:04DE-408

PARTITION WALL-01
REF:04DE-405

WET&DRY BIN
REF:04DE-413

WAITER STATION
REF:04DE-410

BX01

DD1

BANQUETTE SEAT-01
REF:04DE-403

INDICATIVE LOCATION OF
NEON LIT SIGNAGE-02
(SG02) ON WALL
REF:04DE-417

INDICATIVE LOCATION OF FRONT
LIT CIRCULAR SIGNAGE-04
(SG04) ON WALL
REF:04DE-417

REAR COUNTER
REF:04DE-402

PARTITION
WALL-05
REF:04DE-406

ORDER COUNTER
REF:04DE-400

PICK-UP COUNTER
REF:04DE-401

SHELF

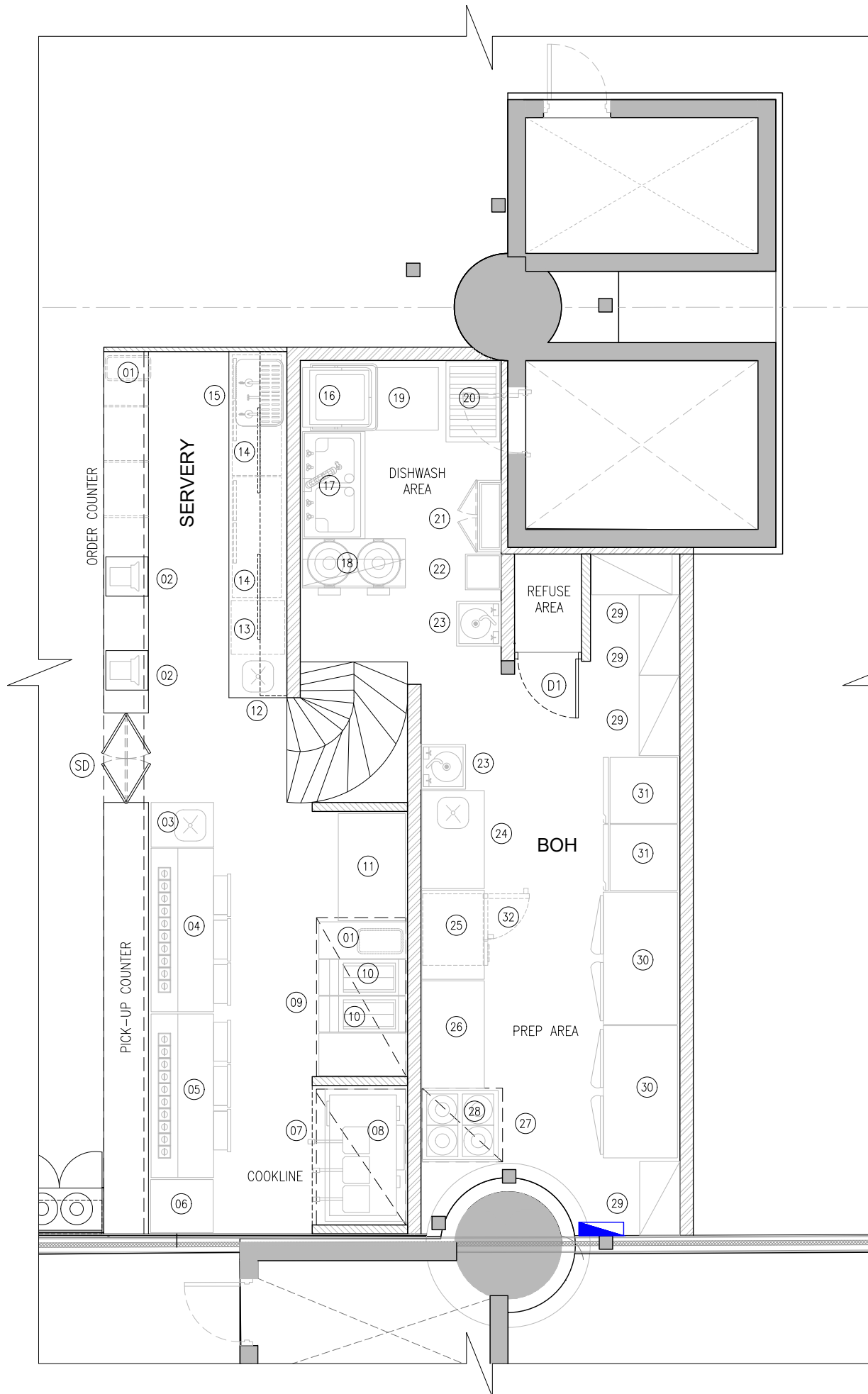
EXISTING DOOR

EXISTING COLUMN

EXISTING DOOR

EXISTING WALL

01 GENERAL ARRANGEMENT PLAN
02GA-100/ 1:90



EQUIPMENT LEGEND		
#	DESCRIPTION	COUNT
01	BIN	02
02	POS	02
03	H/W	01
04	SIDES & SALADS	02
05	PIZZA & TOPPINGS	01
06	TABLE	01
07	EXHAUST HOOD-01	01
08	3 DECK PIZZA OVEN WITH STAND BELOW	01
09	EXHAUST HOOD-02	01
10	FRYER	02
11	DESSERT /ICE CREAM	01
12	SINK	01
13	ICE MACHINE	01
14	3 DOOR-BACK BAR BELOW	02
15	COFFEE MACHINE	01
16	DISH WASHER MACHINE	01
17	TWO BOWL SINK	01
18	DISH LANDING	01
19	UNLOADING TABLE	01
20	POT-RACK	01
21	WALL MOUNTED CHEMICAL RACK	01
22	MOP SINK	01
23	H/W SINK	02
24	PREP.TABLE-01	01
25	PREP.TABLE-02	01
26	PREP.TABLE-03	01
27	EXHAUST HOOD-03	01
28	INDUCTION RANGE	01
29	STORAGE RACK	04
30	4 DOOR VERTICAL CHILLER 1288 Ltrs	02
31	2 DOOR VERTICAL FREEZER 593 Ltr	02
32	BLAST CHILLER	01

01 EQUIPMENT LAYOUT
02GA-101 1:60

C01 21.05.24 GOOD FOR CONSTRUCTION HOD NM
REV DATE DESCRIPTION DRN CHK



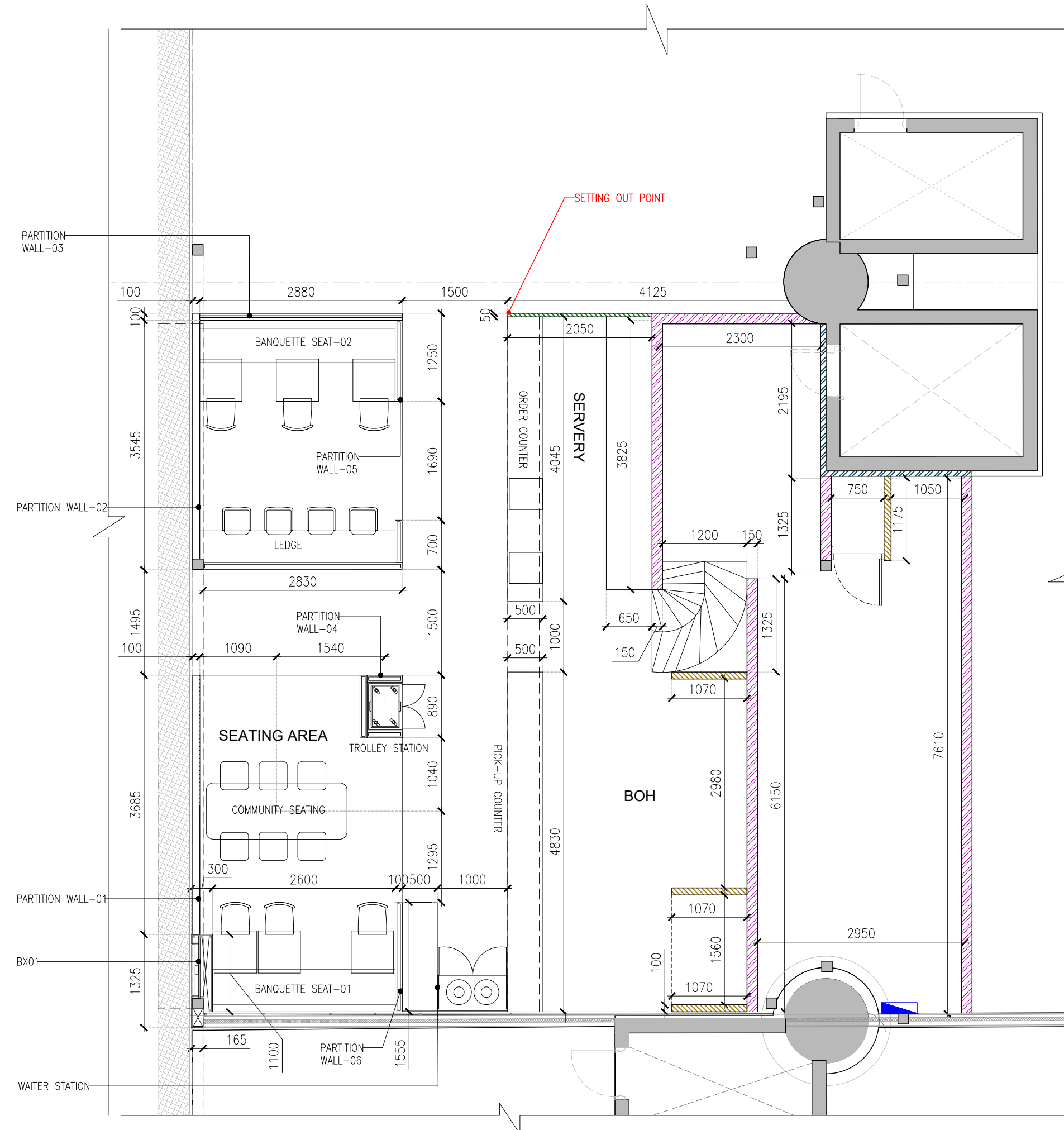
PROJECT
JAMIE OLIVERS PIZZERIA
HYDERABAD AIRPORT

DRAWING TITLE
EQUIPMENT LAYOUT

SCALE 1:60 DATE 21.05.2024 DRAWN HOD A3 SHEET

STATUS
GOOD FOR CONSTRUCTION

ORG PROJECT NO DRAWING TYPE NUMBER REV
TFS XXXX 02GA 101 C01



WALL LEGEND			
SL.NO	PARTICULARS	SYMBOL	HEIGHTS (MM)
01	EXISTING WALL/COLUMN		-
02	PROPOSED 150MM THK DRY PARTITION WALL		+3000
03	PROPOSED 100MM THK DRY PARTITION WALL		+3000
04	PROPOSED 75MM THK DRY PARTITION WALL		+3000
05	PROPOSED 50MM THK DRY PARTITION WALL		+3000

C01 21.05.24 GOOD FOR CONSTRUCTION HOD NM
REV DATE DESCRIPTION DRN CHK



PROJECT
**JAMIE OLIVERS PIZZERIA
HYDERABAD AIRPORT**

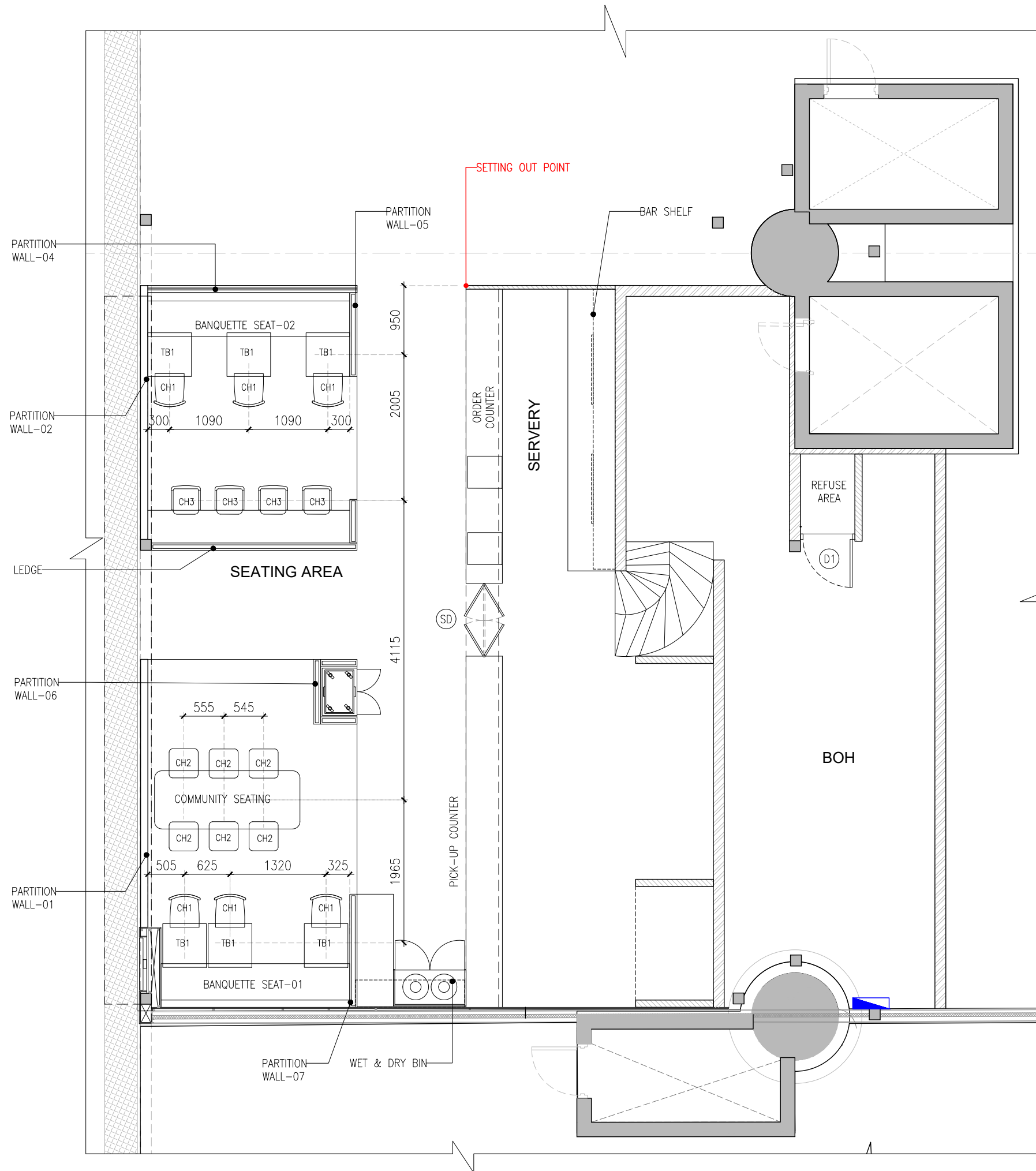
DRAWING TITLE
SETTING OUT PLAN

SCALE 1:60 DATE 21.05.2024 DRAWN HOD A3 SHEET

STATUS
GOOD FOR CONSTRUCTION

ORG PROJECT NO DRAWING TYPE NUMBER REV
TFS XXXX 02GA 102 C01

01 SETTING OUT PLAN
02GA-102 1:60



FURNITURE LEGEND		
CODE	DESCRIPTION	COUNT
TB1	SQUARE TABLE-01	06
CH1	DINING CHAIR-01	06
CH2	DINING CHAIR-02	06
CH3	LOW HEIGHT DINING STOOL	04
TOTAL		22

C01 21.05.24 GOOD FOR CONSTRUCTION HOD NM
REV DATE DESCRIPTION DRN CHK



PROJECT
JAMIE OLIVERS PIZZERIA
HYDERABAD AIRPORT

DRAWING TITLE
FURNITURE SETTING OUT PLAN

SCALE 1:60 DATE 21.05.2024 DRAWN HOD A3 SHEET

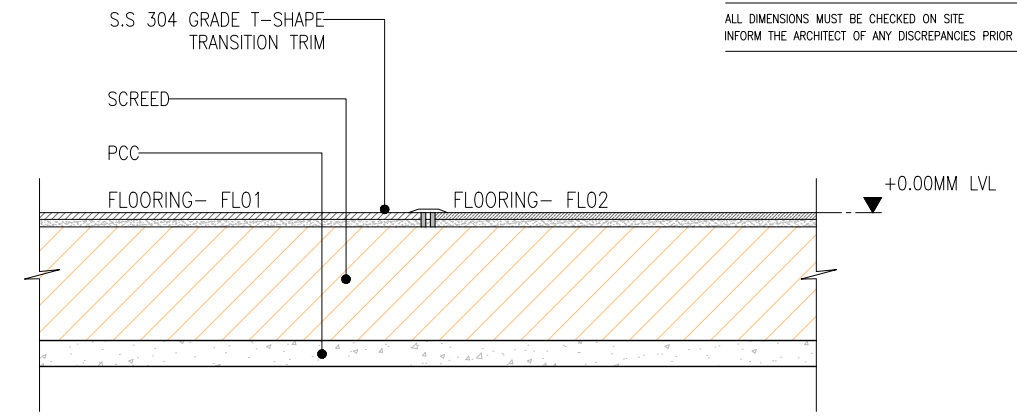
STATUS
GOOD FOR CONSTRUCTION

ORG PROJECT NO DRAWING TYPE NUMBER REV
TFS XXXX 02GA 103 C01

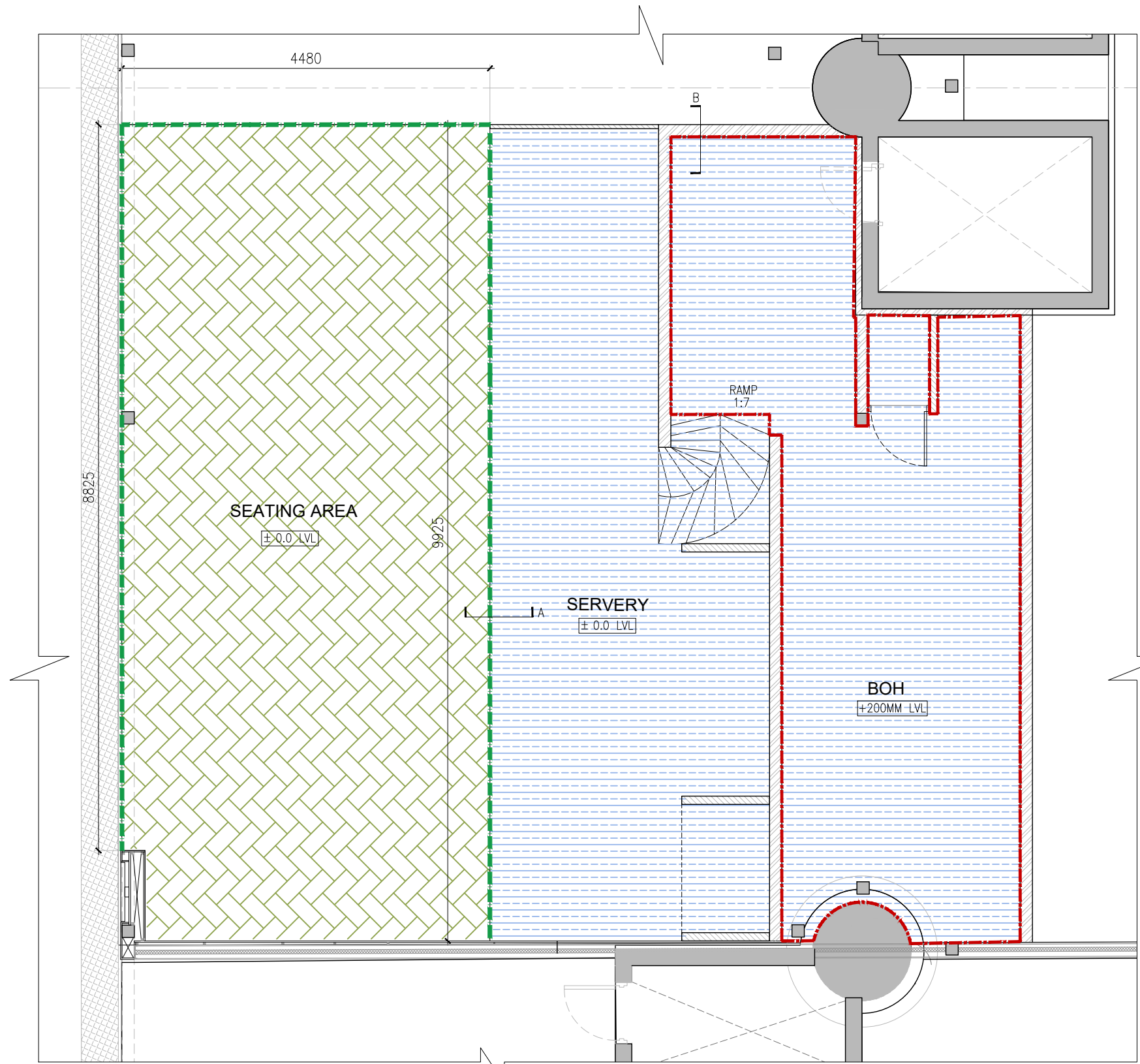
01 FURNITURE SETTING OUT PLAN
02GA-103 1:60

ALL DIMENSIONS MUST BE CHECKED ON SITE
INFORM THE ARCHITECT OF ANY DISCREPANCIES PRIOR TO CONSTRUCTION

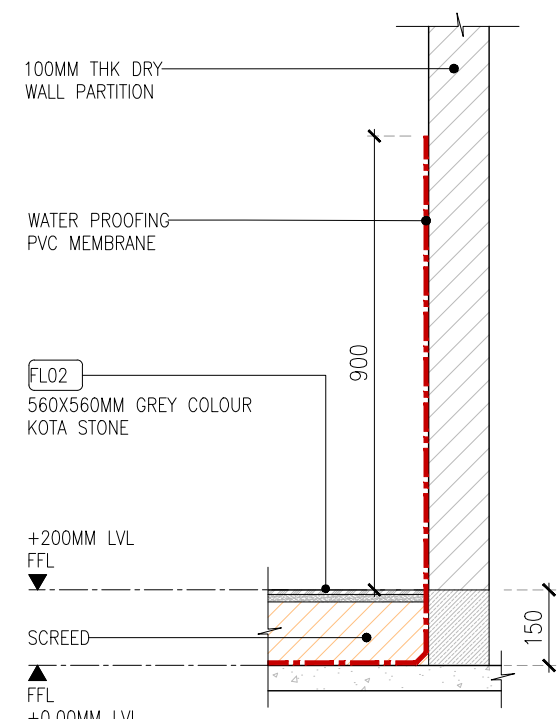
FLOORING LEGEND			
CODE	PATTERN	TYPE	AREA/LENGTH
FL01		WOODEN FINISH HERRINGBONE PATTERN TILE	43.94 M ²
FL02		560X560MM GREY COLOUR KOTA STONE	56.40 M ²
FL03		S.S 304 GRADE T-SHAPE TRANSITION TRIM	23.082 M



TYPICAL FLOOR TRANSITION DETAIL SECTION-A



01 FLOORING LAYOUT
02GA-104/ 1:60



SECTION-B WATER PROOFING DETAIL (SCALE 1:15)

--- WATER PROOFING TOTAL AREA=55.67 M²

C01	21.05.24	GOOD FOR CONSTRUCTION	HOD NM
REV	DATE	DESCRIPTION	DRN CHK



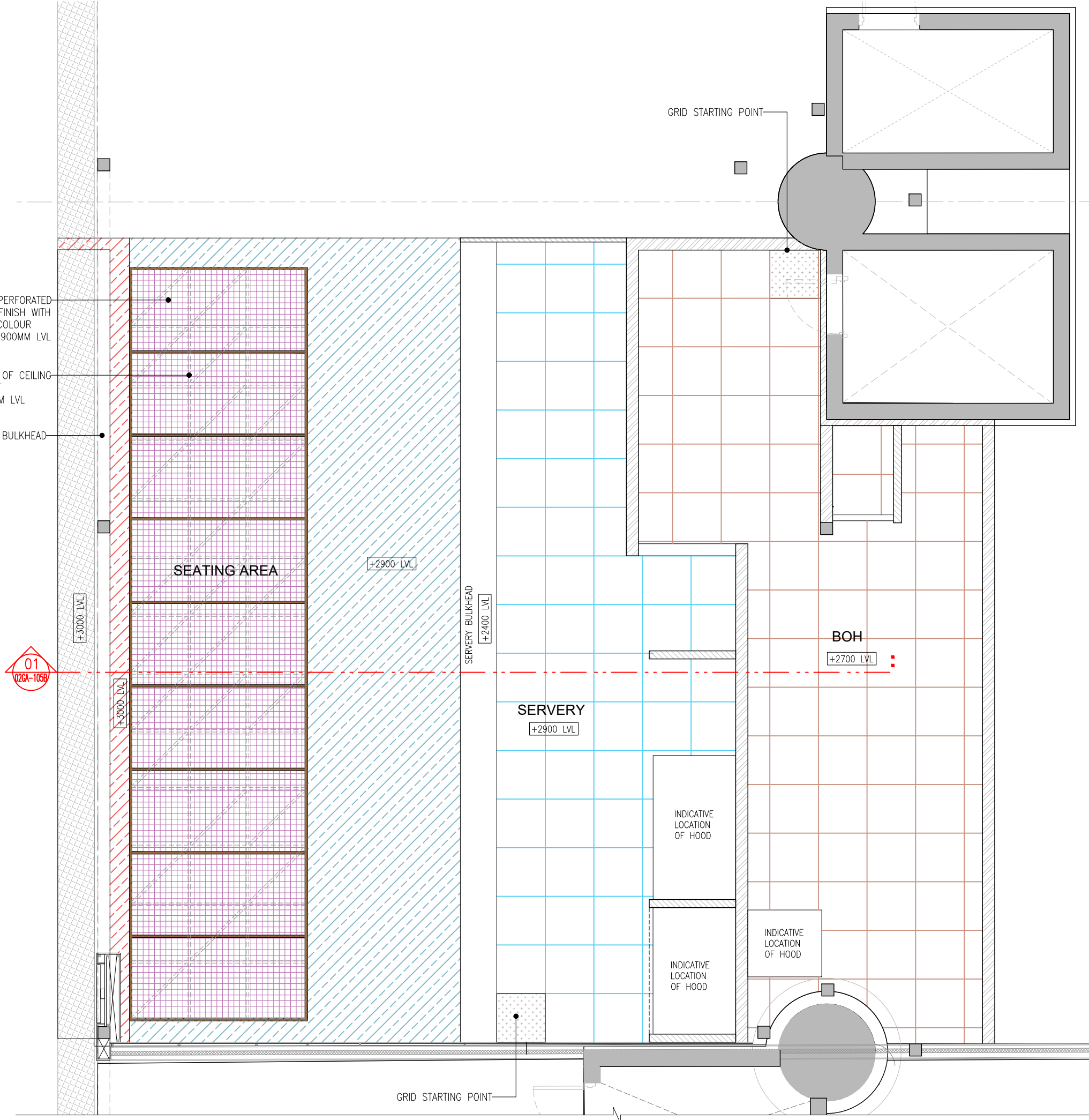
PROJECT
**JAMIE OLIVERS PIZZERIA
HYDERABAD AIRPORT**

DRAWING TITLE
FLOORING LAYOUT

SCALE AS MENTIONED DATE 21.05.2024 DRAWN HOD A3 SHEET

STATUS
GOOD FOR CONSTRUCTION

ORG	PROJECT NO	DRAWING TYPE	NUMBER	REV
TFS	XXXX	02GA	104	C01



CEILING LEGEND				
PATTERN	CODE	DESCRIPTION	AREA	HEIGHT
	CL01	GYPSUM CEILING PT05:LIGHT GREY COLOUR PAINT RAL:7035	2.35 M ²	+3000MM
	CL02	GYPSUM CEILING PT05:LIGHT GREY COLOUR PAINT RAL:7035	19.43 M ²	+2900MM
	CL03	600X600MM METAL GRID CEILING	20.19 M ²	+2900MM
	CL04	600X600MM METAL GRID CEILING	26.23 M ²	+2700MM
	CL05	METAL PERFORATED SHEET FINISH WITH WHITE COLOUR PAINT	19.8 M ²	+2900MM

01
02GA-105B

C01 21.05.24 GOOD FOR CONSTRUCTION HOD NM
REV DATE DESCRIPTION DRN CHK



PROJECT
JAMIE OLIVERS PIZZERIA
HYDERABAD AIRPORT

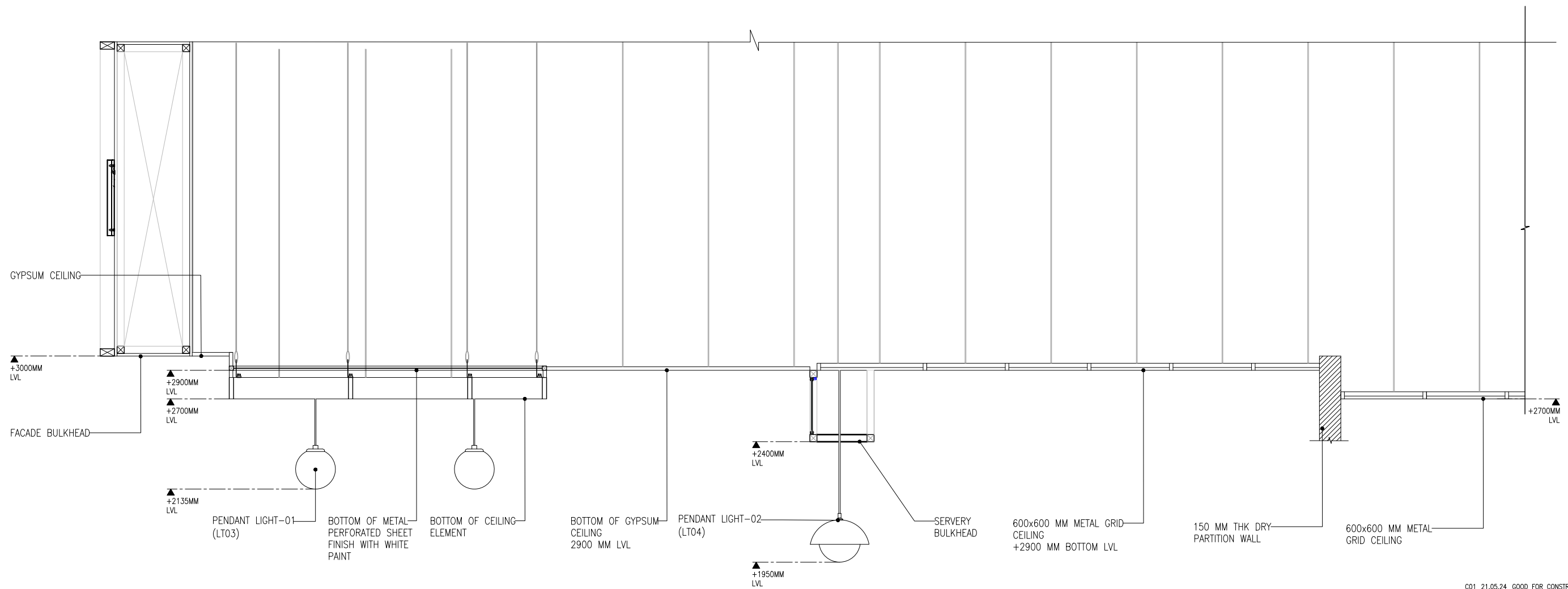
DRAWING TITLE
CEILING LAYOUT & SCHEDULE

SCALE 1:50 DATE 21.05.2024 DRAWN HOD A3 SHEET

STATUS
GOOD FOR CONSTRUCTION

ORG PROJECT NO DRAWING TYPE NUMBER REV
TFS XXXX 02GA 105 C01

01 CEILING LAYOUT & SCHEDULE
02GA-105 1:50



01 SECTION-01
02GA-105A 1:30

C01	21.05.24	GOOD FOR CONSTRUCTION	HOD	NM
REV	DATE	DESCRIPTION	DRN	CHK



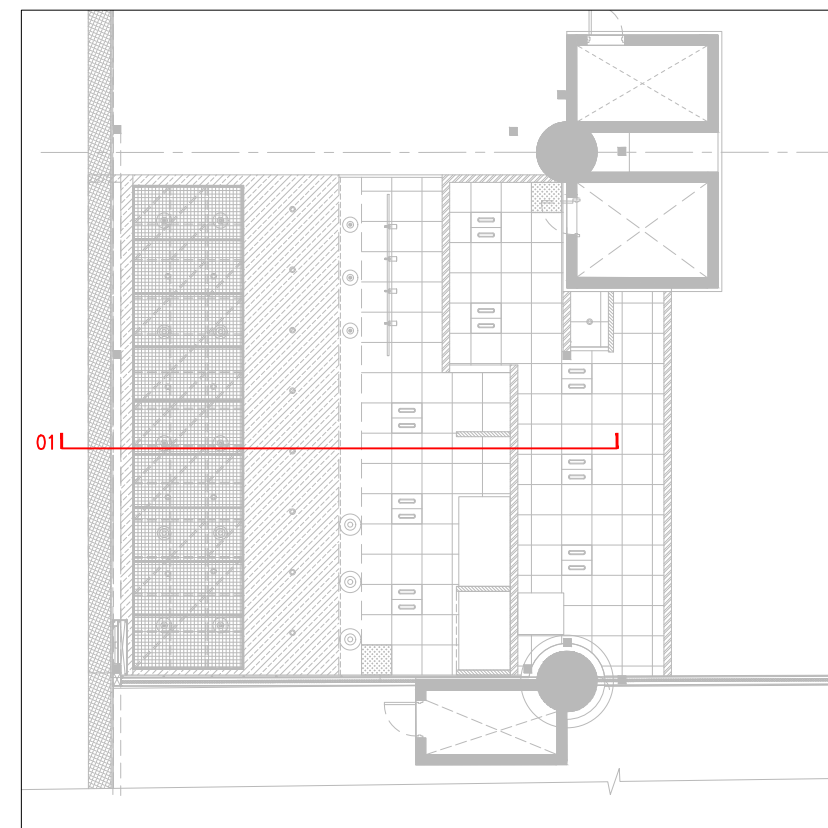
PROJECT
**JAMIE OLIVERS PIZZERIA
HYDERABAD AIRPORT**

DRAWING TITLE
CEILING SECTIONAL DETAIL

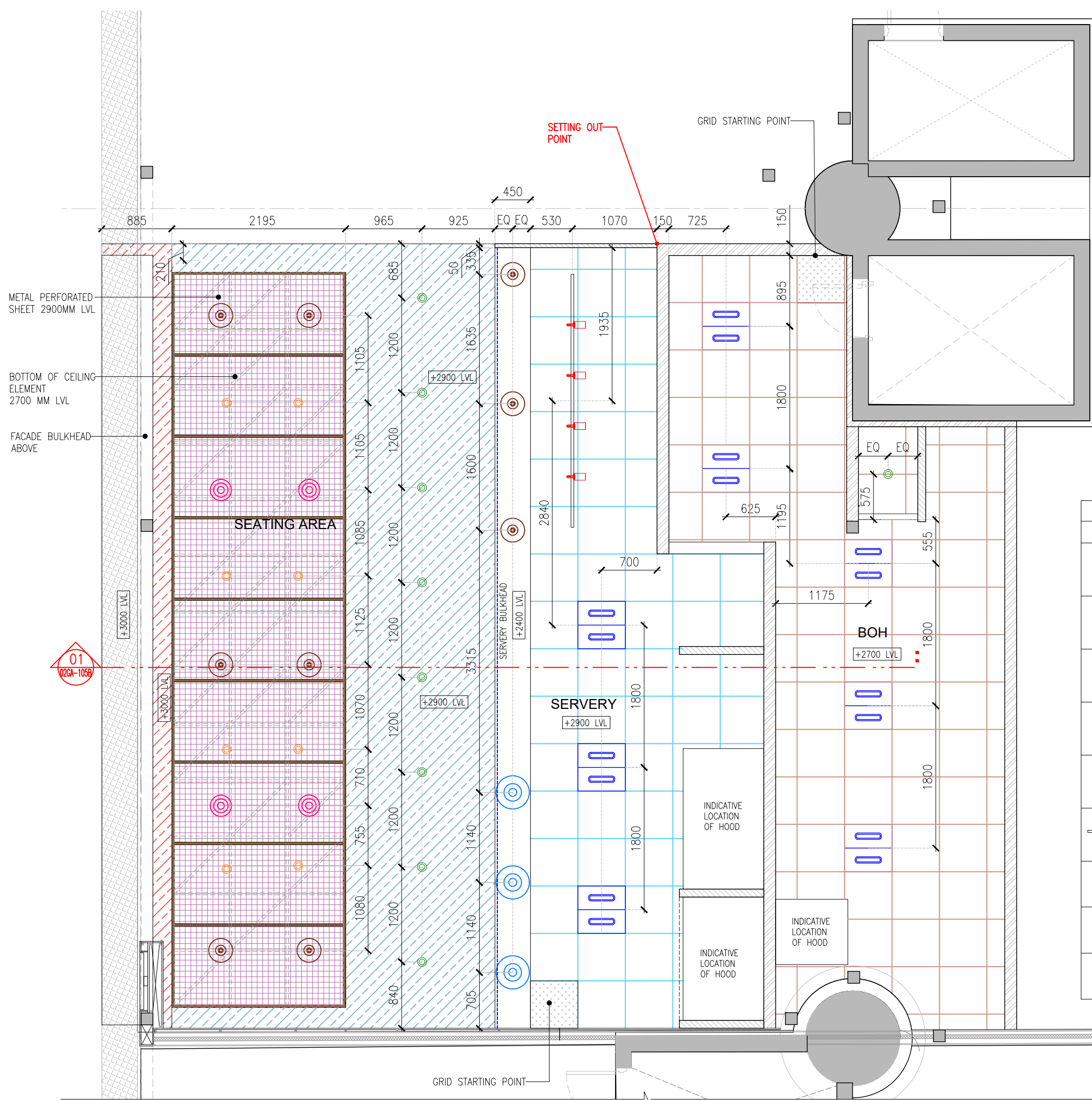
SCALE 1:30 DATE 21.05.2024 DRAWN HOD A3 SHEET

STATUS
GOOD FOR CONSTRUCTION

ORG PROJECT NO DRAWING TYPE NUMBER REV
TFS 1356 02GA 105A C01



KEYPLAN



LIGHT FIXTURE LEGEND			
SYMBOL	CODE	DESCRIPTION	COUNT
	LT01	SURFACE MOUNT CYLINDER COB LIGHT	09
	LT02	SURFACE MOUNT CIRCULAR LIGHT	08
	LT03	PENDANT LIGHT-01	04
	LT04	PENDANT LIGHT-02	09
	LT05	HATCO HEAT LAMP WITH RIGID STEM	03
	LT06	TRACK LIGHT LENGTH:3.2M FINISH:BLACK	1
		LIGHT TEMP:3000K FINISH:BLACK	04
	LT07	600X600MM LED PANEL LIGHT	08
	LT08	LED STRIP LIGHT WITH DIFFUSER	AS PER DWNG

C01 21.05.24 GOOD FOR CONSTRUCTION HOD NM
REV DATE DESCRIPTION DRN CHK



PROJECT
**JAMIE OLIVERS PIZZERIA
HYDERABAD AIRPORT**

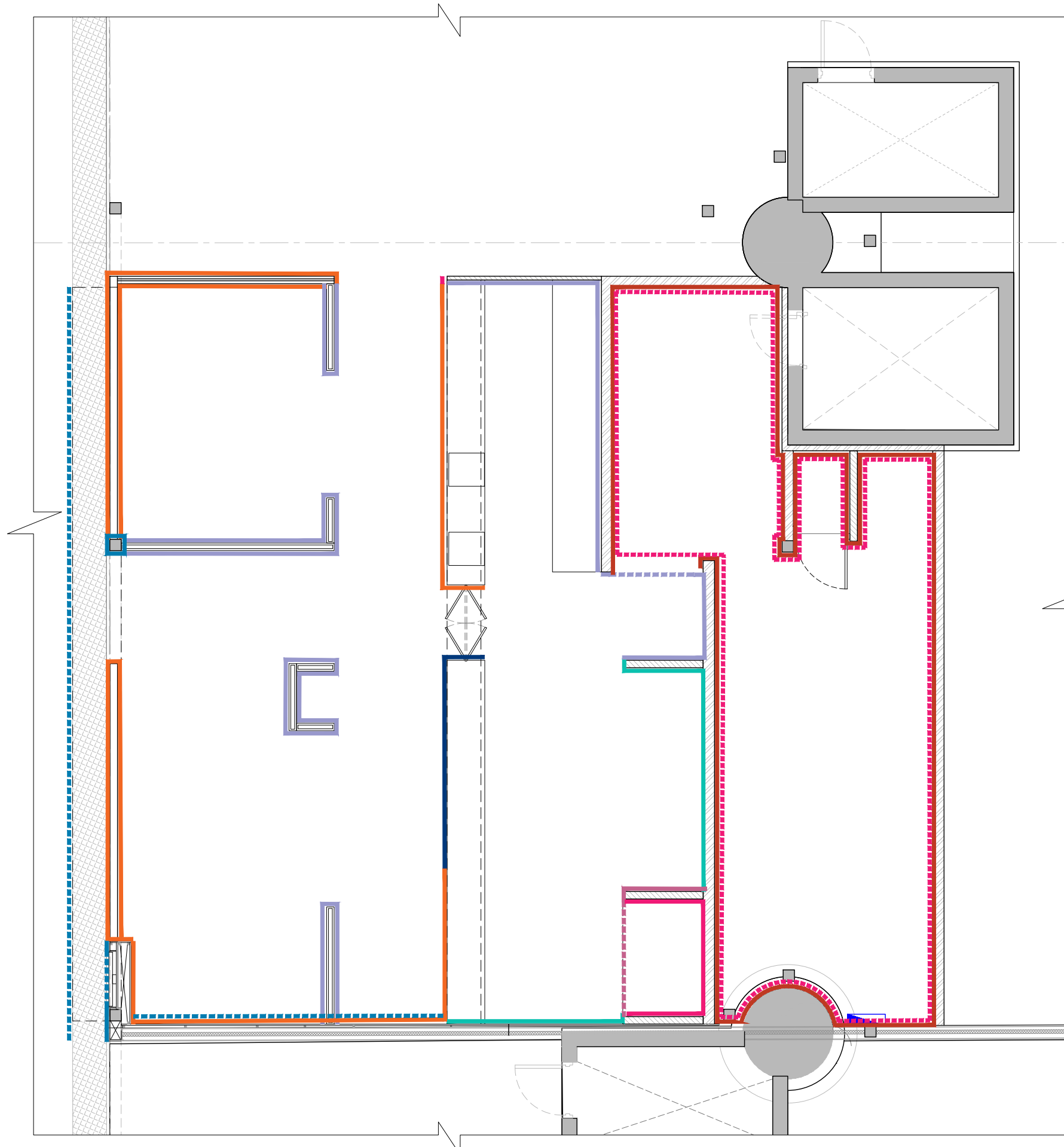
DRAWING TITLE
LIGHTING LAYOUT & SCHEDULE

SCALE 1:50 DATE 21.05.2024 DRAWN HOD A3 SHEET

STATUS
GOOD FOR CONSTRUCTION

ORG PROJECT NO DRAWING TYPE NUMBER REV
TFS XXXX 02GA 105B C01

01 LIGHTING LAYOUT & SCHEDULE
02GA-105B / 1:50



WALL FINISHES LEGEND		
SYMBOL	FINISH	SURFACE
	WT01 150X150MM WHITE COLOUR SQUARE CERAMIC TILES WITH 1MM SPACER , GROUTED WITH GREY COLOUR EPOXY	WALL,PARTITION WALLS
	WT02 150X150MM GREEN COLOUR SQUARE CERAMIC TILES WITH 1MM SPACER , GROUTED WITH GREY COLOUR EPOXY	WALL,BOXING
	WT03 150X150MM PINK COLOUR SQUARE CERAMIC TILES WITH 1MM SPACER , GROUTED WITH GREY COLOUR EPOXY	COUNTER
	WT04 330X330MM WHITE CERAMIC TILE	WALL(BOH)
	PT01 CONCRETE EFFECT TEXTURE PAINT	WALL,FACADE BULKHEAD
	PT03 GREY COLOUR PAINT RAL:7022	WALL
	PT07 COPPER EFFECT PAINT	BOXING
	LM01 OAK WOOD LAMINATE	COUNTER

REV	DATE	DESCRIPTION	HOD	NM



PROJECT
**JAMIE OLIVERS PIZZERIA
HYDERABAD AIRPORT**

DRAWING TITLE
WALL FINISHES PLAN

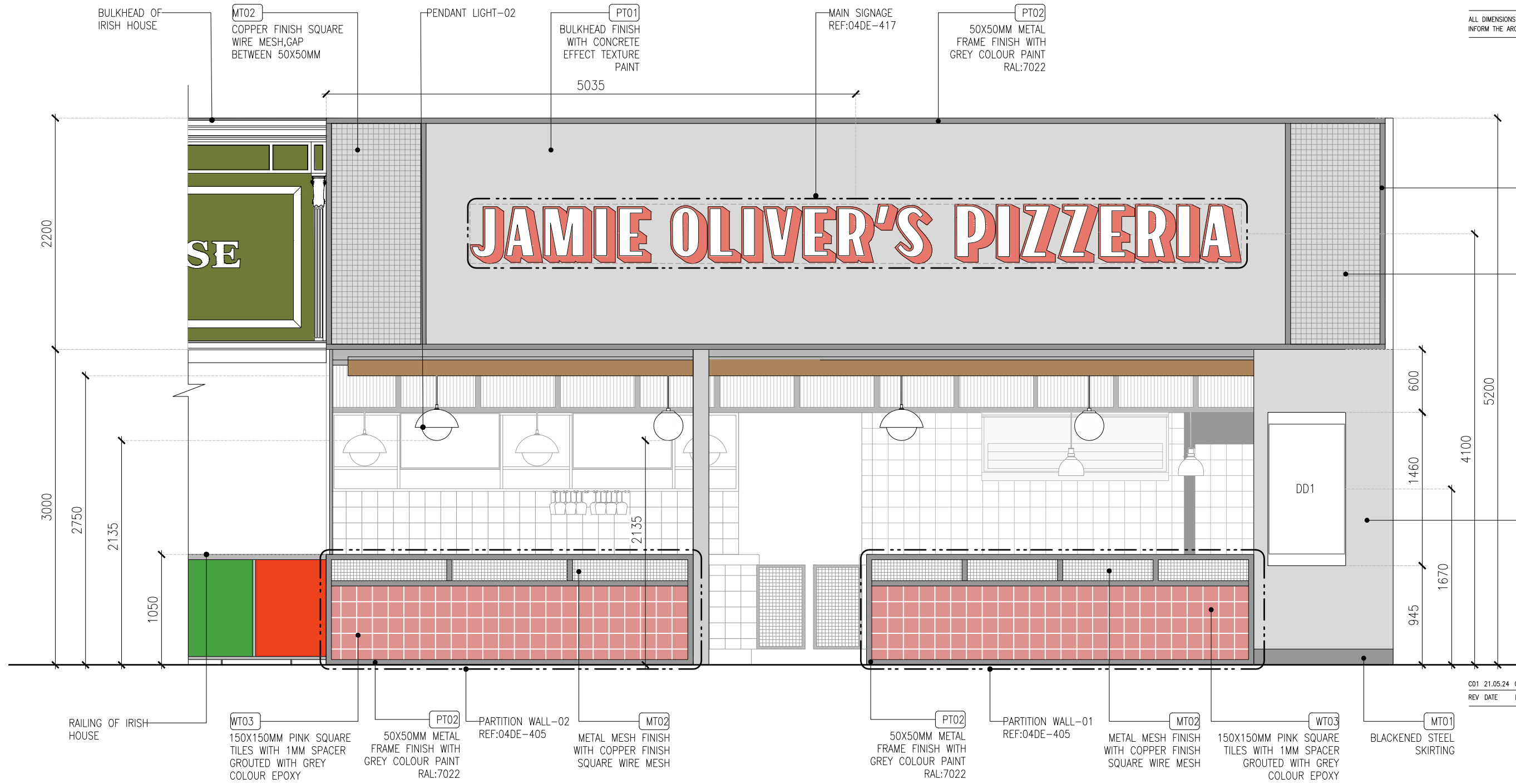
SCALE 1:60 DATE 21.05.2024 DRAWN HOD A3 SHEET

STATUS
GOOD FOR CONSTRUCTION

ORG	PROJECT NO	DRAWING TYPE	NUMBER	REV
TFS	XXXX	02GA	106	C01

01 WALL FINISHES PLAN
02GA-106/ 1:60

ALL DIMENSIONS MUST BE CHECKED ON SITE
INFORM THE ARCHITECT OF ANY DISCREPANCIES PRIOR TO CONSTRUCTION



PT02
50X50MM METAL
FRAME FINISH WITH
GREY COLOUR PAINT
RAL:7022

MT02
COPPER FINISH SQUARE
WIRE MESH,GAP
BETWEEN 50X50MM

PT01
WALL FINISH WITH
CONCRETE EFFECT
TEXTURE PAINT

C01	21.05.24	GOOD FOR CONSTRUCTION	HOD	NM
REV	DATE	DESCRIPTION	DRN	CHK

01 ELEVATION -01
03IL-300 1:40



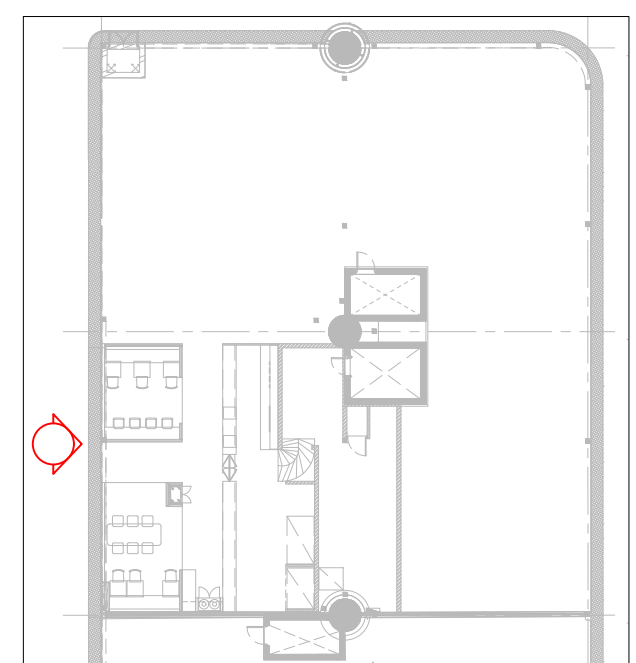
PROJECT
JAMIE OLIVERS PIZZERIA
HYDERABAD AIRPORT

DRAWING TITLE
ELEVATION -01

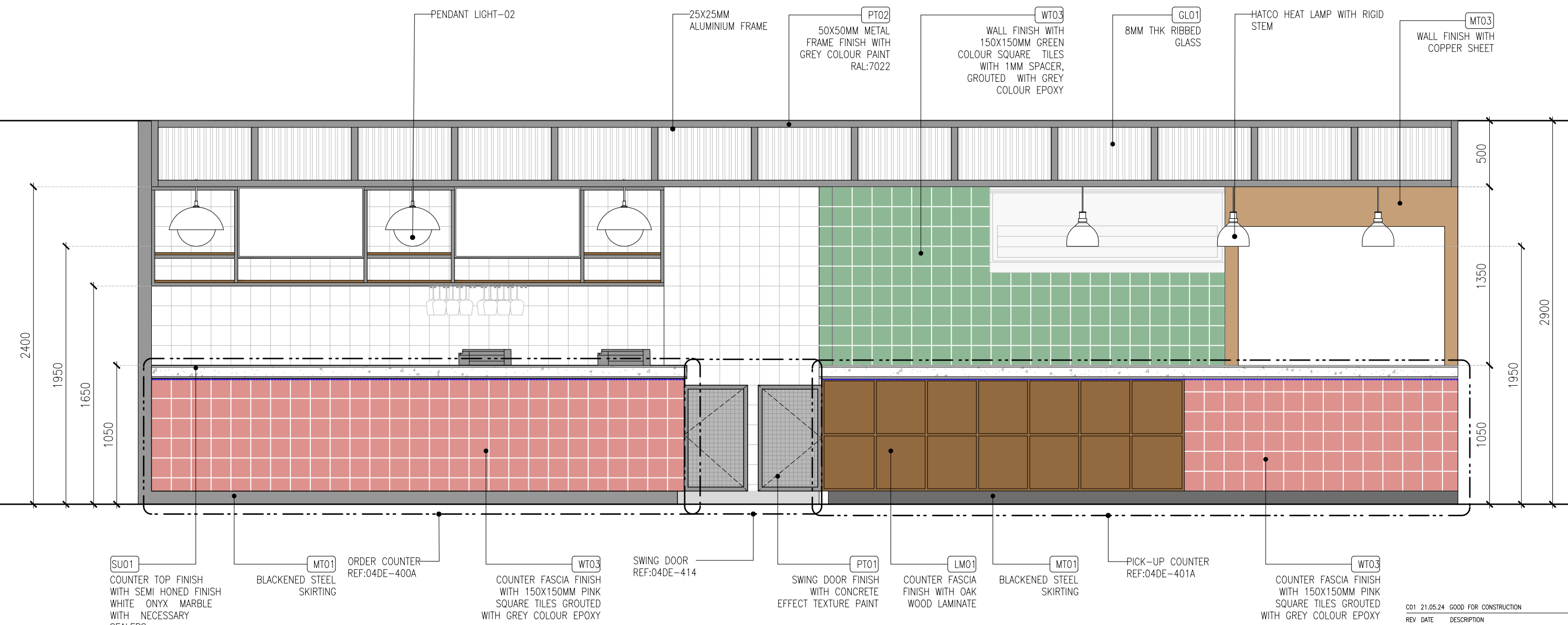
SCALE 1:40 DATE 21.05.2024 DRAWN HOD A3 SHEET

STATUS
GOOD FOR CONSTRUCTION

ORG	PROJECT NO	DRAWING TYPE	NUMBER	REV
TFS	XXXX 03IL	300	C01	

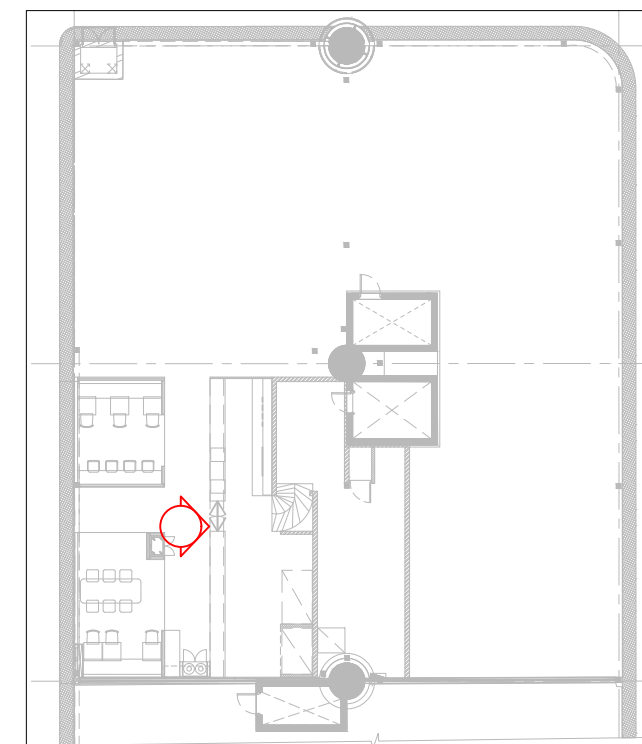


KEYPLAN



01 ELEVATION -02
03IL-301 1:30

C01 21.05.24 GOOD FOR CONSTRUCTION HOD NM
REV DATE DESCRIPTION DRN CHK



KEYPLAN



PROJECT
JAMIE OLIVERS PIZZERIA
HYDERABAD AIRPORT

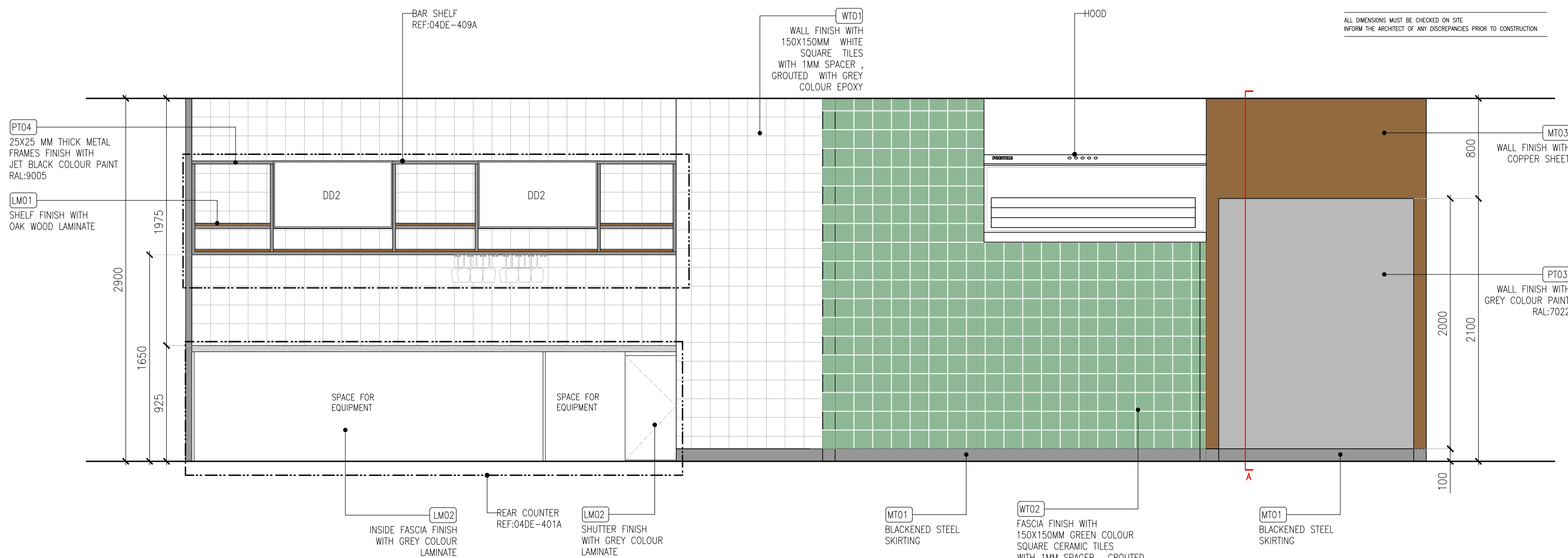
DRAWING TITLE
ELEVATION -02

SCALE 1:30 DATE 21.05.2024 DRAWN HOD A3 SHEET

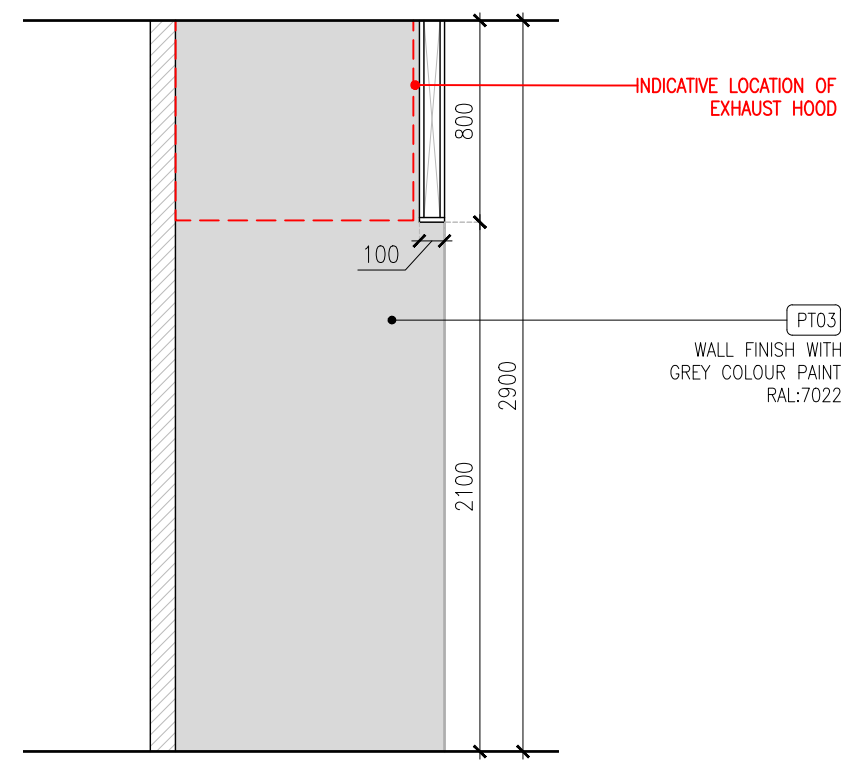
STATUS
GOOD FOR CONSTRUCTION

ORG	PROJECT NO	DRAWING TYPE	NUMBER	REV
TFS	XXXX	03IL	301	C01

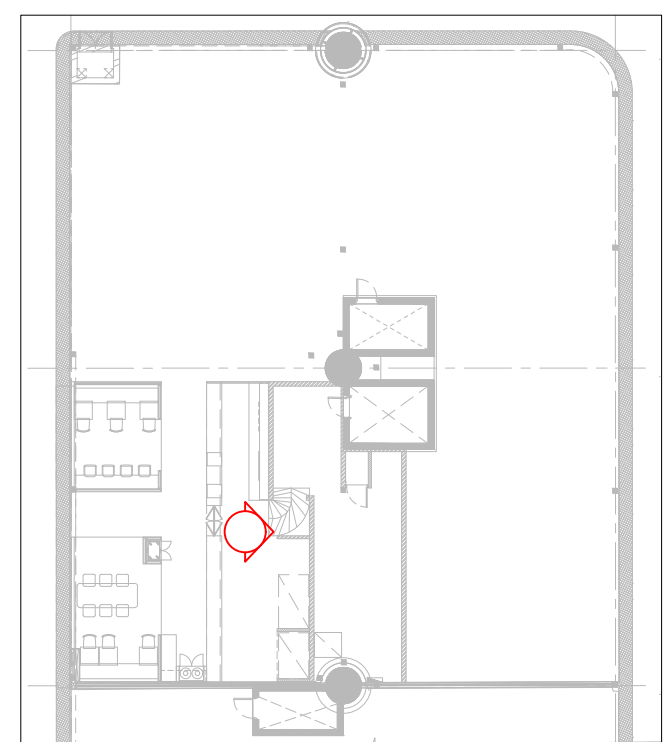
ALL DIMENSIONS MUST BE CHECKED ON SITE
INFORM THE ARCHITECT OF ANY DISCREPANCIES PRIOR TO CONSTRUCTION



01 ELEVATION -03
03IL-302 1:30



SECTION-A (SCALE 1:30)



KEYPLAN

C01	21.05.24	GOOD FOR CONSTRUCTION	HOD	NM
REV	DATE	DESCRIPTION	DRN	CHK



PROJECT
**JAMIE OLIVERS PIZZERIA
HYDERABAD AIRPORT**

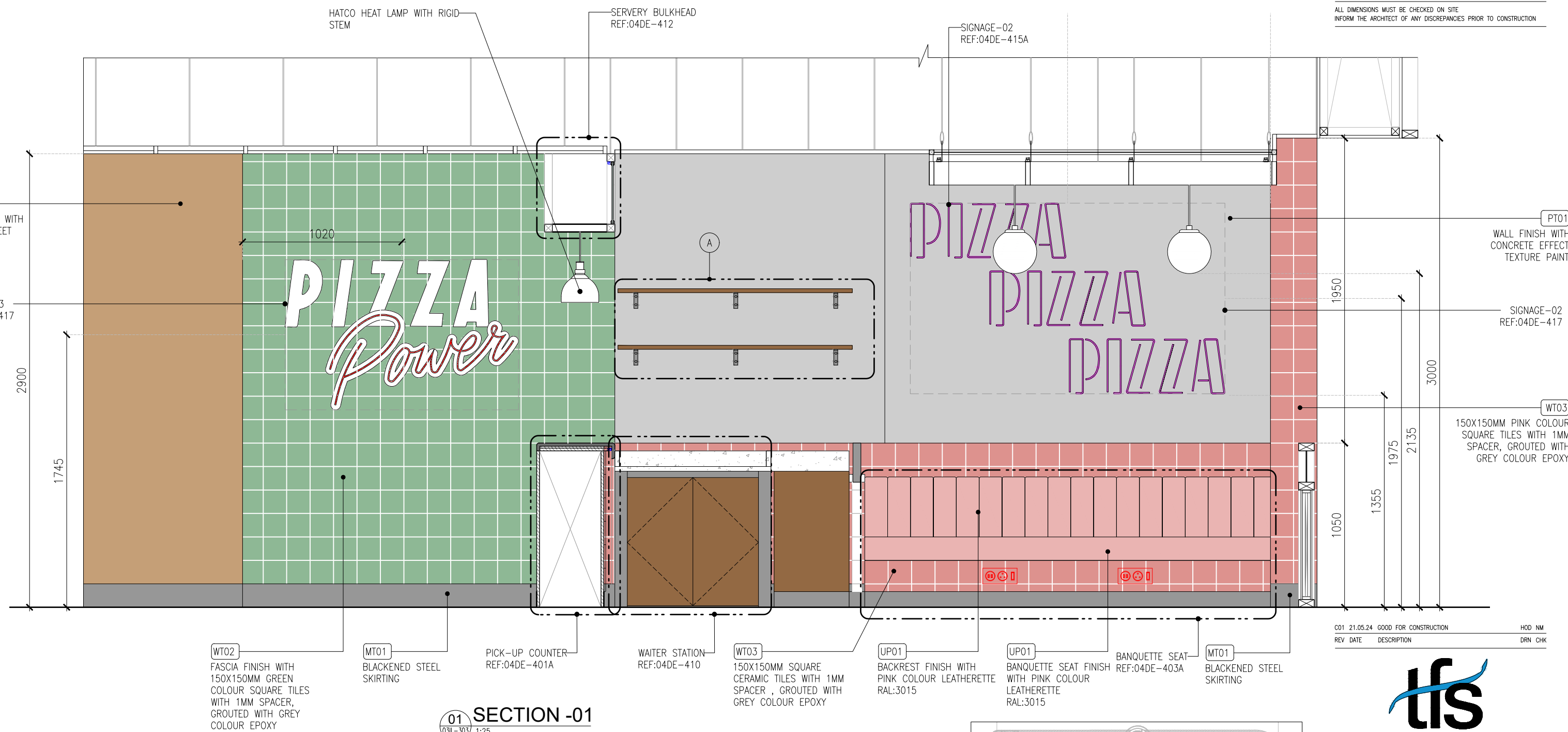
DRAWING TITLE
ELEVATION -03

SCALE 1:30 DATE 21.05.2024 DRAWN HOD A3 SHEET

STATUS
GOOD FOR CONSTRUCTION

ORG	PROJECT NO	DRAWING TYPE	NUMBER	REV
TFS	XXXX 03IL	302	C01	

ALL DIMENSIONS MUST BE CHECKED ON SITE
INFORM THE ARCHITECT OF ANY DISCREPANCIES PRIOR TO CONSTRUCTION



C01	21.05.24	GOOD FOR CONSTRUCTION	HOD	NM
REV	DATE	DESCRIPTION	DRN	CHK

01 SECTION -01
03IL-303 1:25



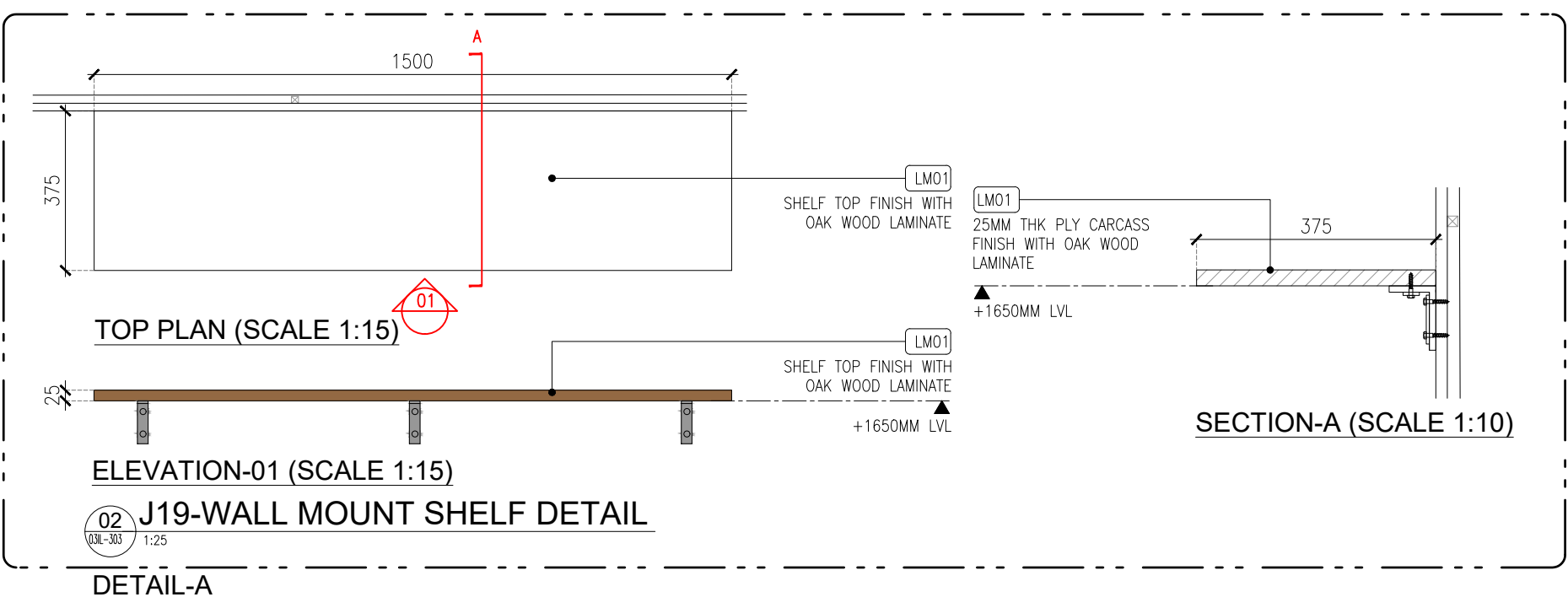
PROJECT
**JAMIE OLIVERS PIZZERIA
HYDERABAD AIRPORT**

DRAWING TITLE
SECTION -01

SCALE AS MENTIONED DATE 21.05.2024 DRAWN HOD A3 SHEET

STATUS
GOOD FOR CONSTRUCTION

ORG	PROJECT NO	DRAWING TYPE	NUMBER	REV
TFS	XXXX	03IL	303	C01

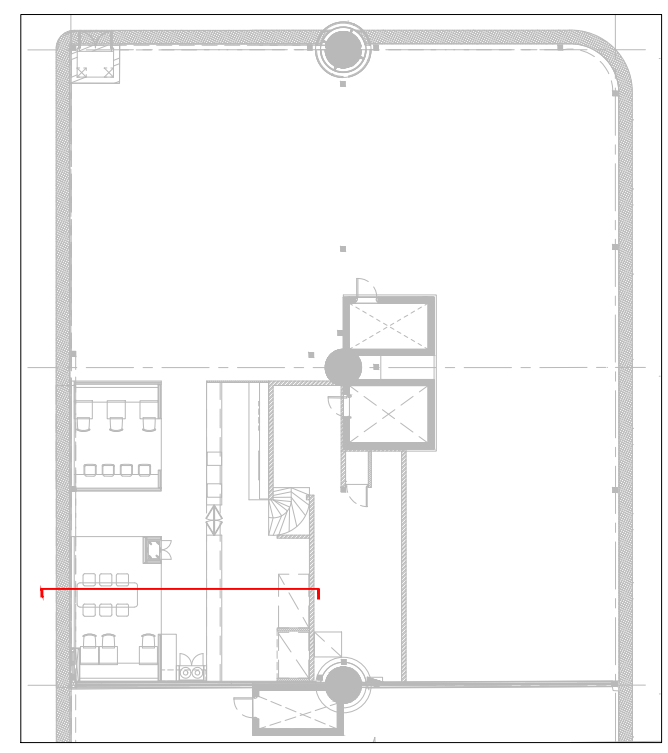


ELEVATION-01 (SCALE 1:15)

SECTION-A (SCALE 1:10)

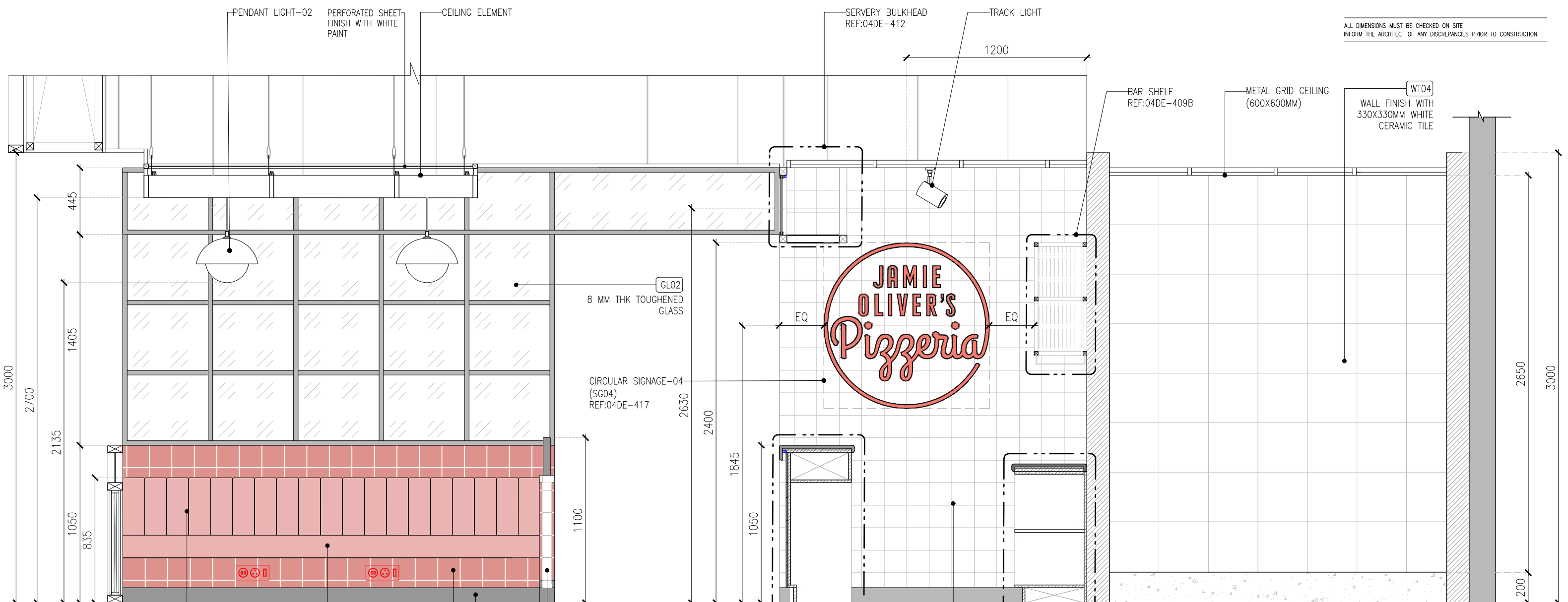
02 J19-WALL MOUNT SHELF DETAIL
03IL-303 1:25

DETAIL-A



KEYPLAN

ALL DIMENSIONS MUST BE CHECKED ON SITE
INFORM THE ARCHITECT OF ANY DISCREPANCIES PRIOR TO CONSTRUCTION



- UP01 BACKREST FINISH WITH PINK COLOUR LEATHERETTE RAL:3015
- UP01 BANQUETTE SEAT FINISH WITH PINK COLOUR LEATHERETTE RAL:3015
- WT03 150X150MM PINK COLOUR SQUARE TILES WITH 1MM SPACER, GROUTED WITH GREY COLOUR EPOXY
- MT01 BLACKENED STEEL SKIRTING
- WT01 150X150MM WHITE COLOUR SQUARE TILES WITH 1MM SPACER, GROUTED WITH GREY COLOUR EPOXY

01 SECTION -02
03IL-304 1:25

C01	21.05.24	GOOD FOR CONSTRUCTION	HOD NM
REV	DATE	DESCRIPTION	DRN CHK



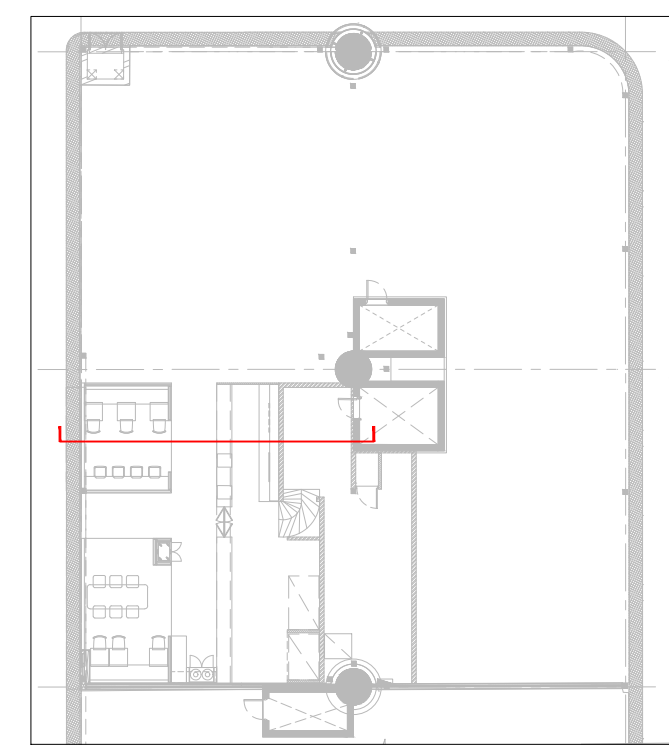
PROJECT
**JAMIE OLIVERS PIZZERIA
HYDERABAD AIRPORT**

DRAWING TITLE
SECTION-02

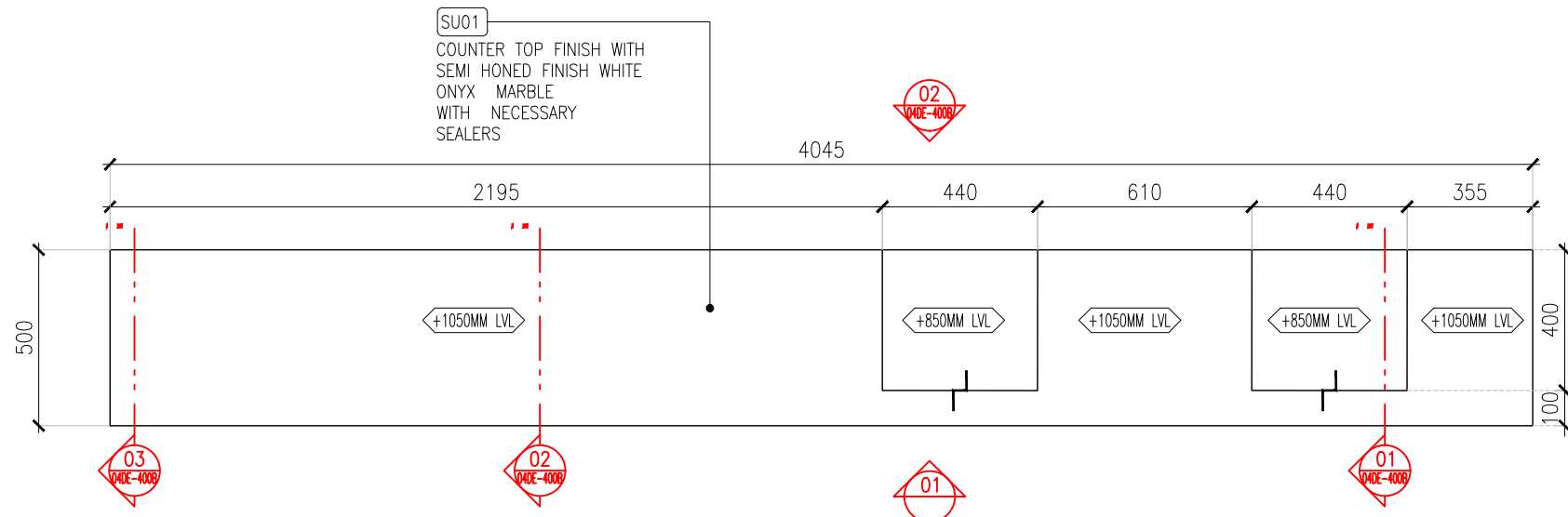
SCALE 1:25 DATE 21.05.2024 DRAWN HOD A3 SHEET

STATUS
GOOD FOR CONSTRUCTION

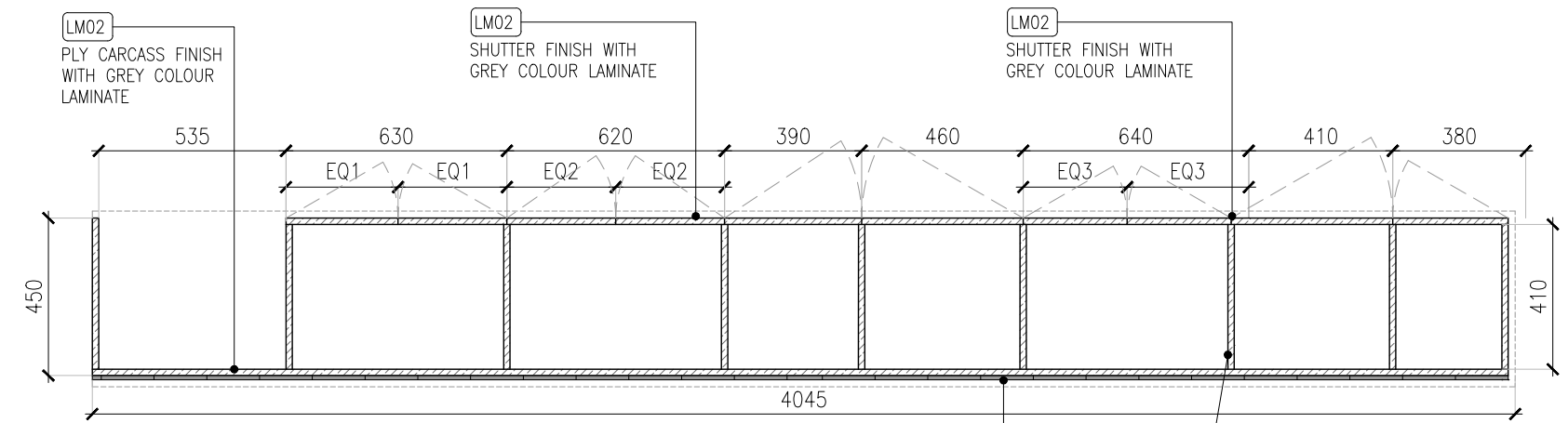
ORG	PROJECT NO	DRAWING TYPE	NUMBER	REV
TFS	XXXX	03IL	304	C01



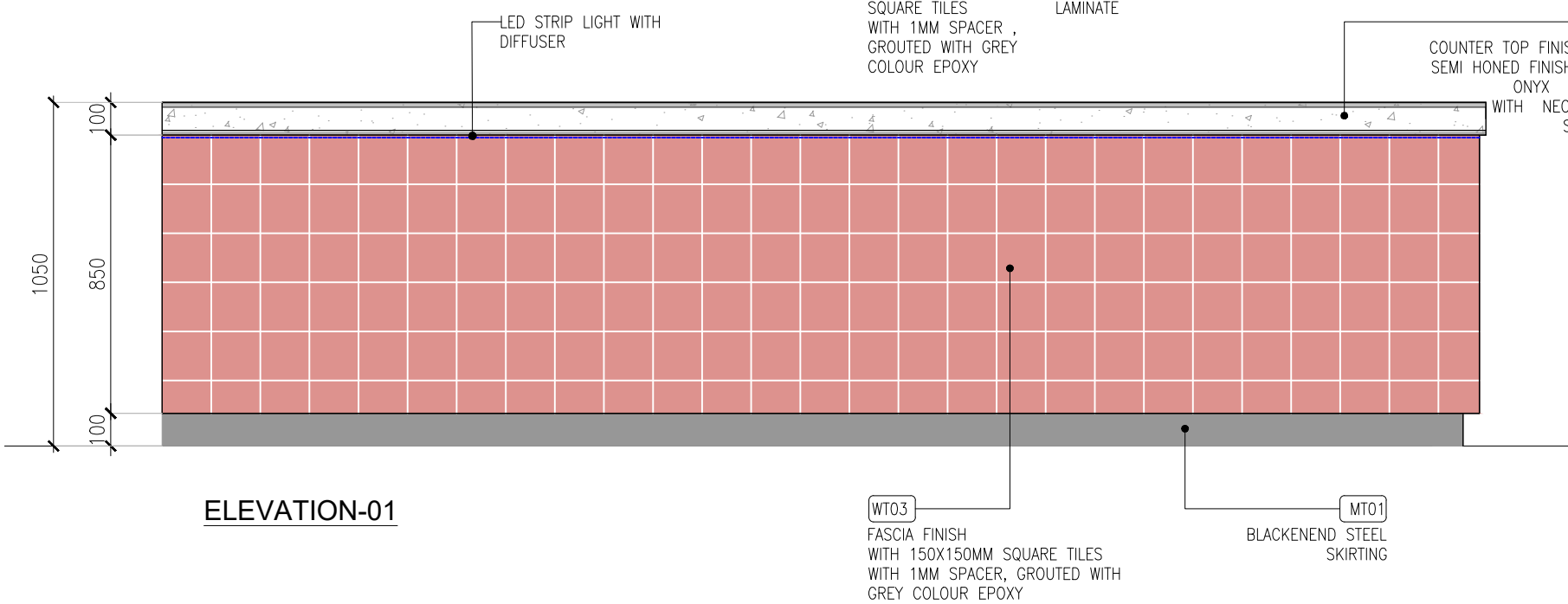
KEYPLAN



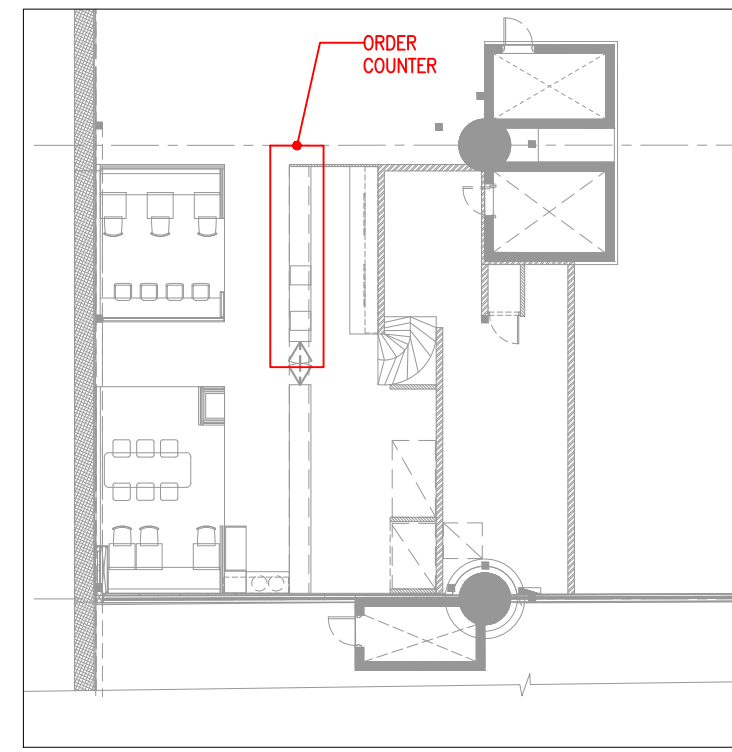
TOP PLAN



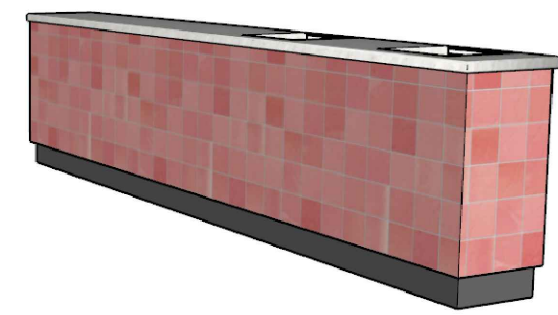
FRAMING PLAN @500MM LVL



ELEVATION-01



KEY PLAN



REF. IMAGE

C01	21.05.24	GOOD FOR CONSTRUCTION	HOD	NM
REV	DATE	DESCRIPTION	DRN	CHK



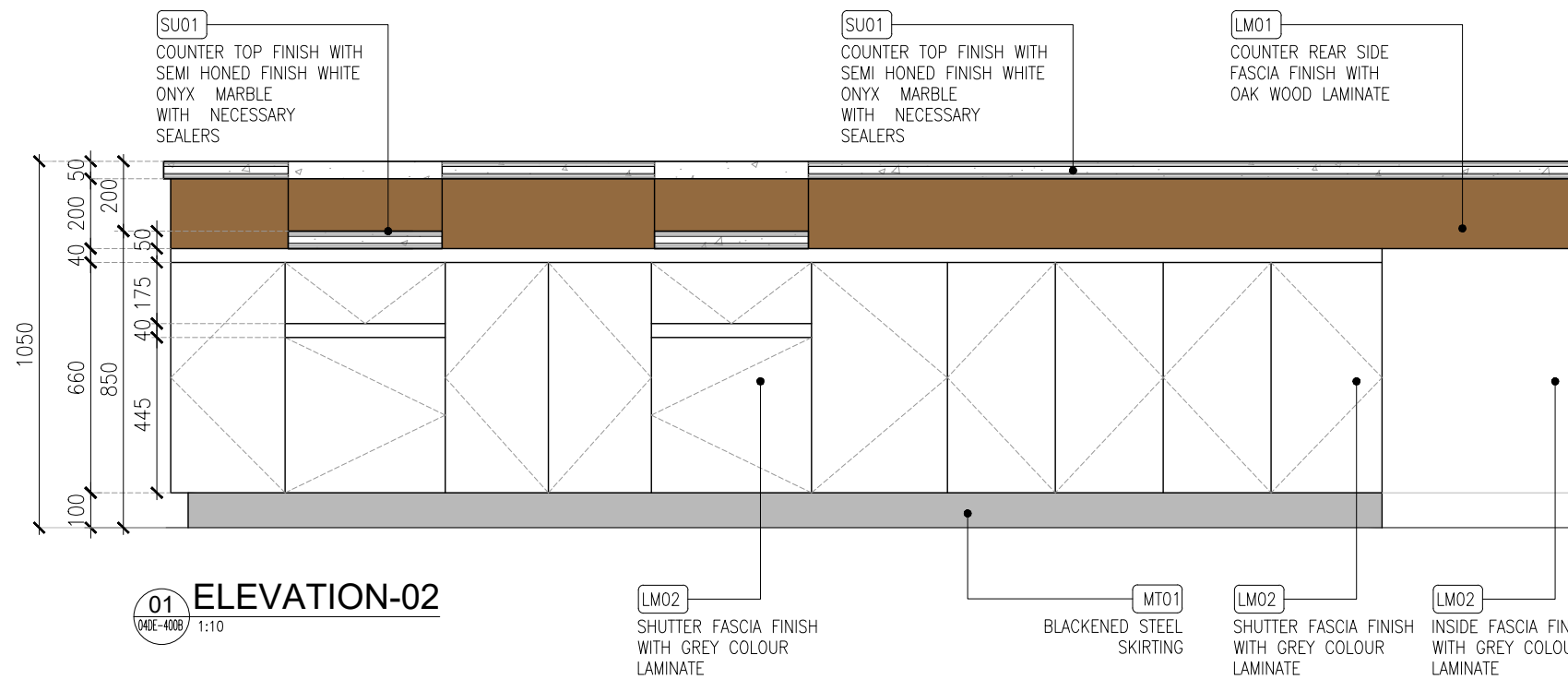
PROJECT
JAMIE OLIVERS PIZZERIA
HYDERABAD AIRPORT

DRAWING TITLE
J01-ORDER COUNTER DETAIL:PART-A

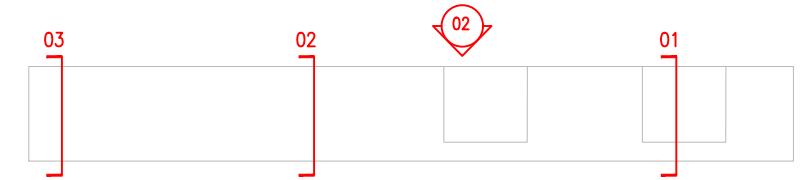
SCALE 1:20 DATE 21.05.2024 DRAWN HOD A3 SHEET

STATUS
GOOD FOR CONSTRUCTION

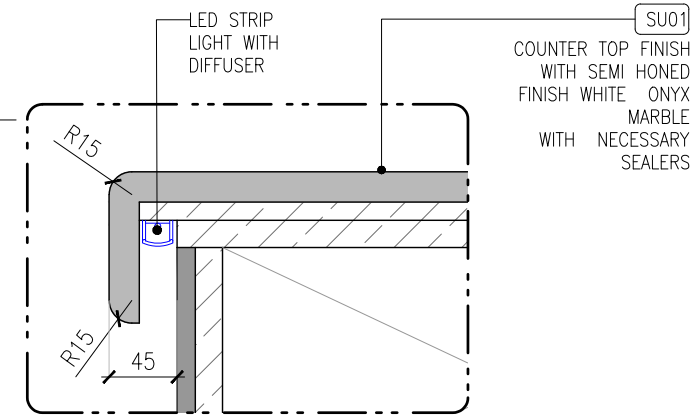
ORG PROJECT NO DRAWING TYPE NUMBER REV
TFS XXXX 04DE 400A C01



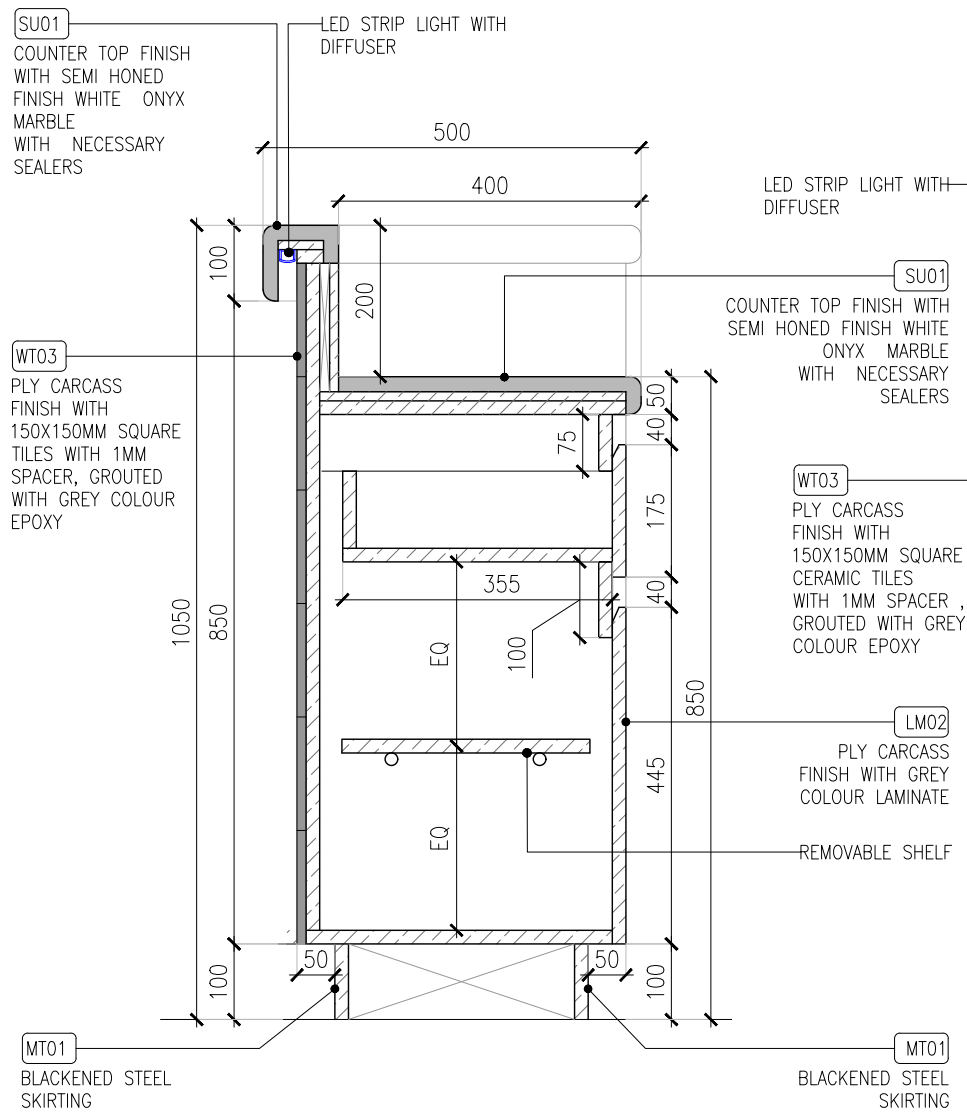
01 ELEVATION-02
04DE-400B 1:10



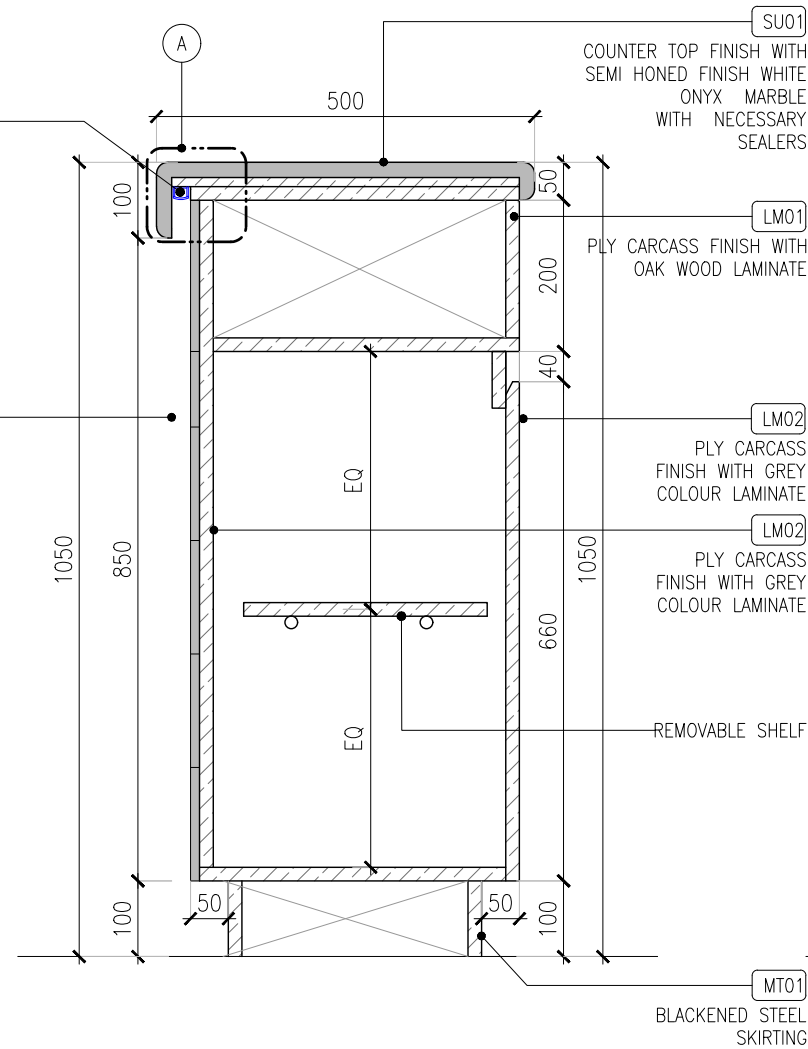
KEYPLAN



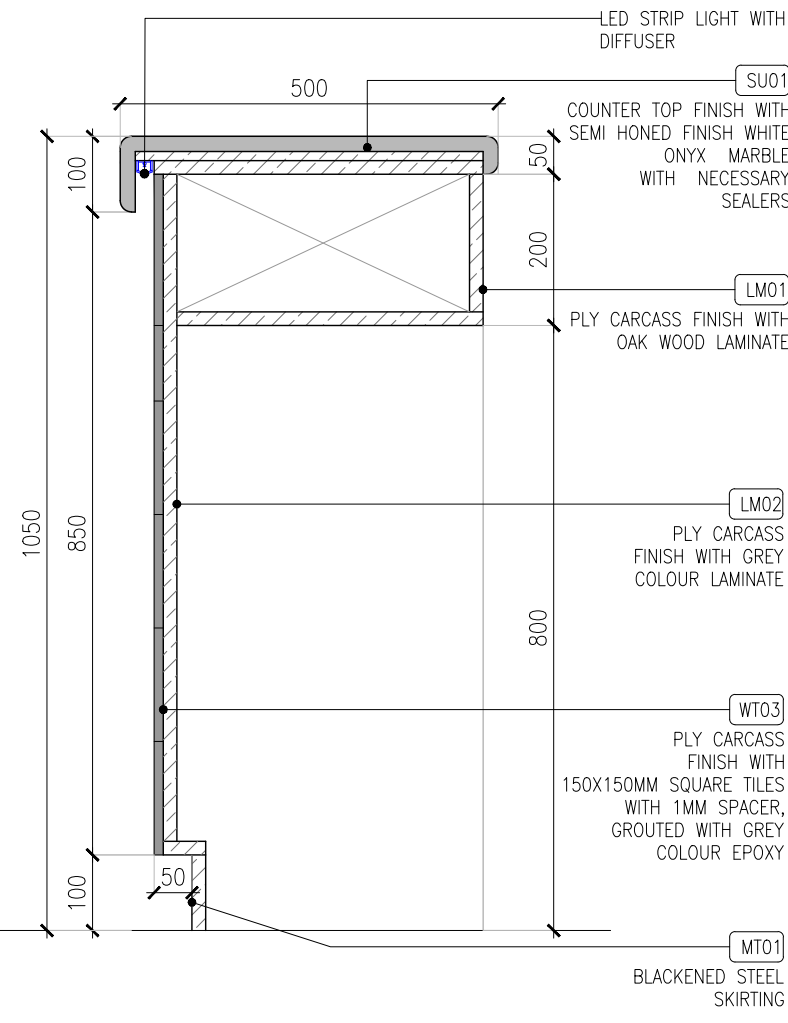
DETAIL-A (SCALE 1:5)



02 SECTION -01
04DE-400B 1:10



03 SECTION -02
04DE-400B 1:10



04 SECTION -03
04DE-400B 1:10

C01	21.05.24	GOOD FOR CONSTRUCTION	HOD	NM
REV	DATE	DESCRIPTION	DRN	CHK



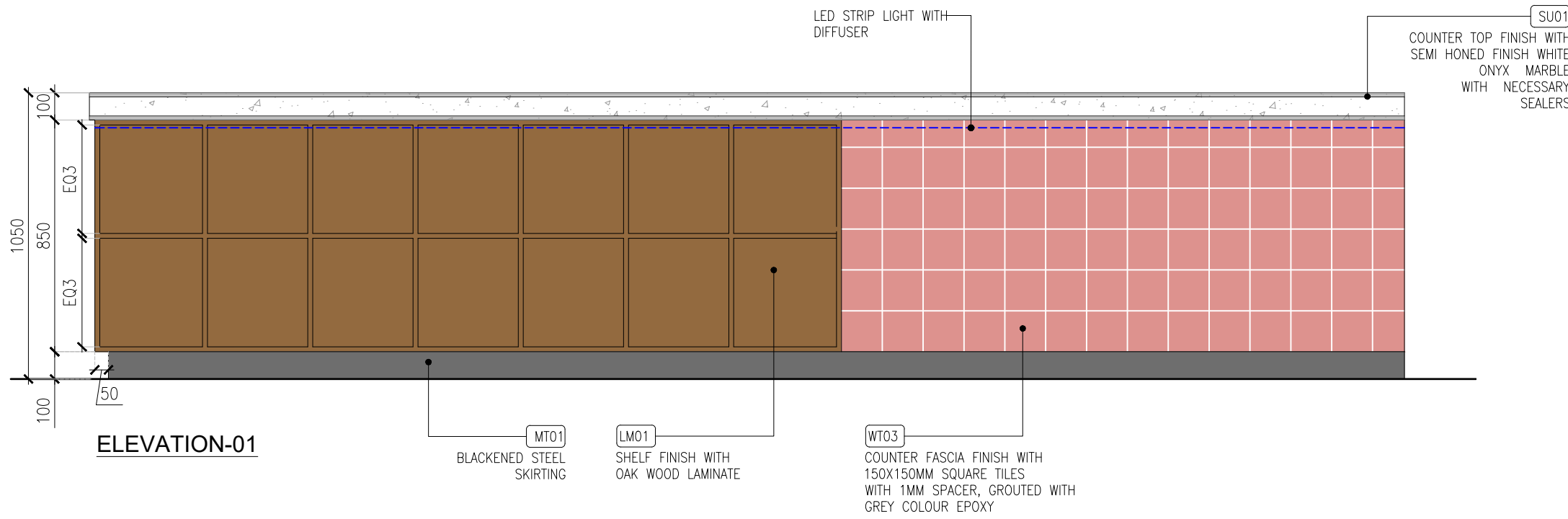
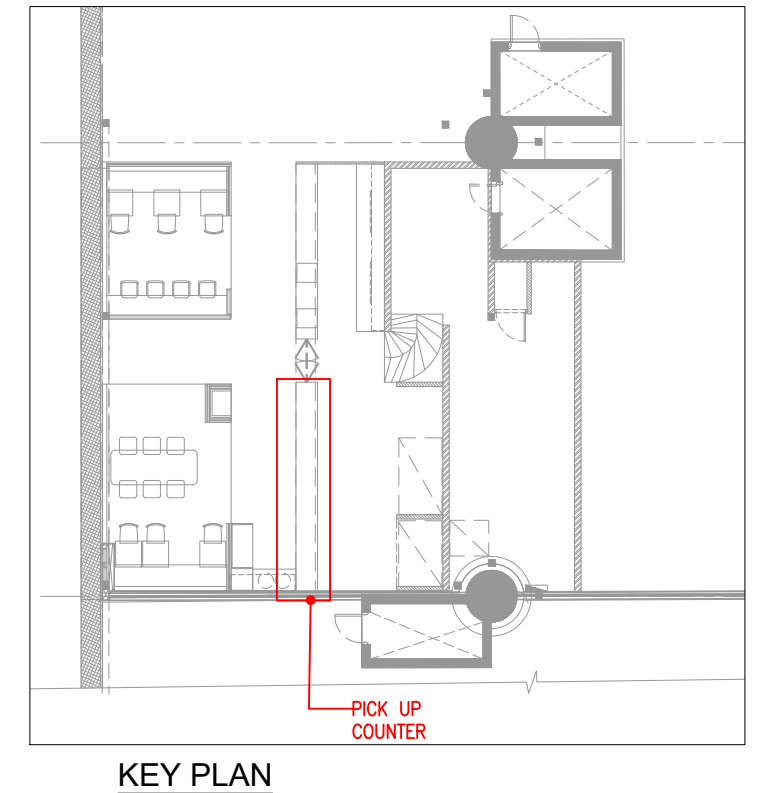
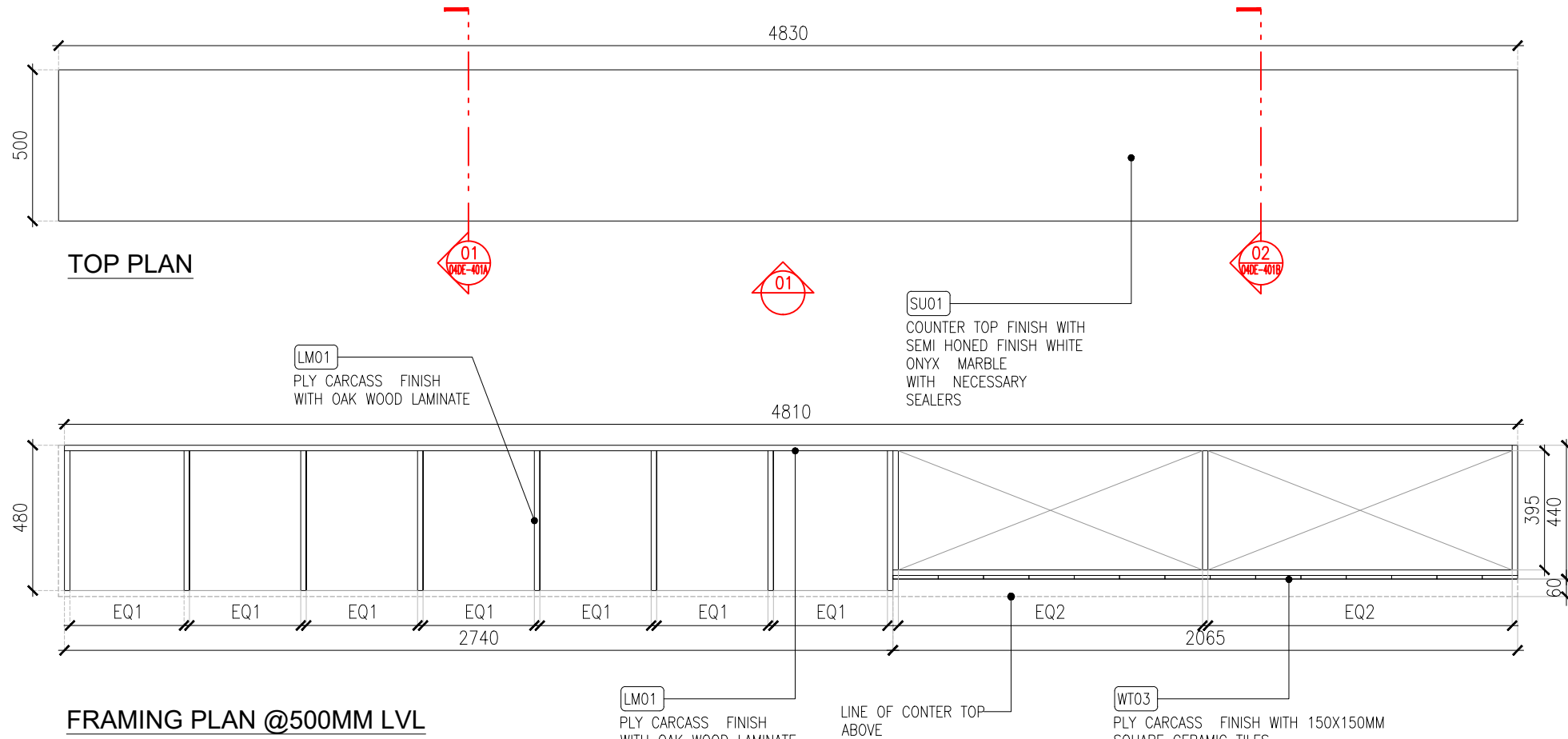
PROJECT
**JAMIE OLIVERS PIZZERIA
HYDERABAD AIRPORT**

DRAWING TITLE
J01-ORDER COUNTER DETAIL:PART-B

SCALE AS MENTIONED DATE 21.05.2024 DRAWN HOD A3 SHEET

STATUS
GOOD FOR CONSTRUCTION

ORG PROJECT NO DRAWING TYPE NUMBER REV
TFS 1356 04DE 400B C01



C01	21.05.24	GOOD FOR CONSTRUCTION	HOD	NM
REV	DATE	DESCRIPTION	DRN	CHK



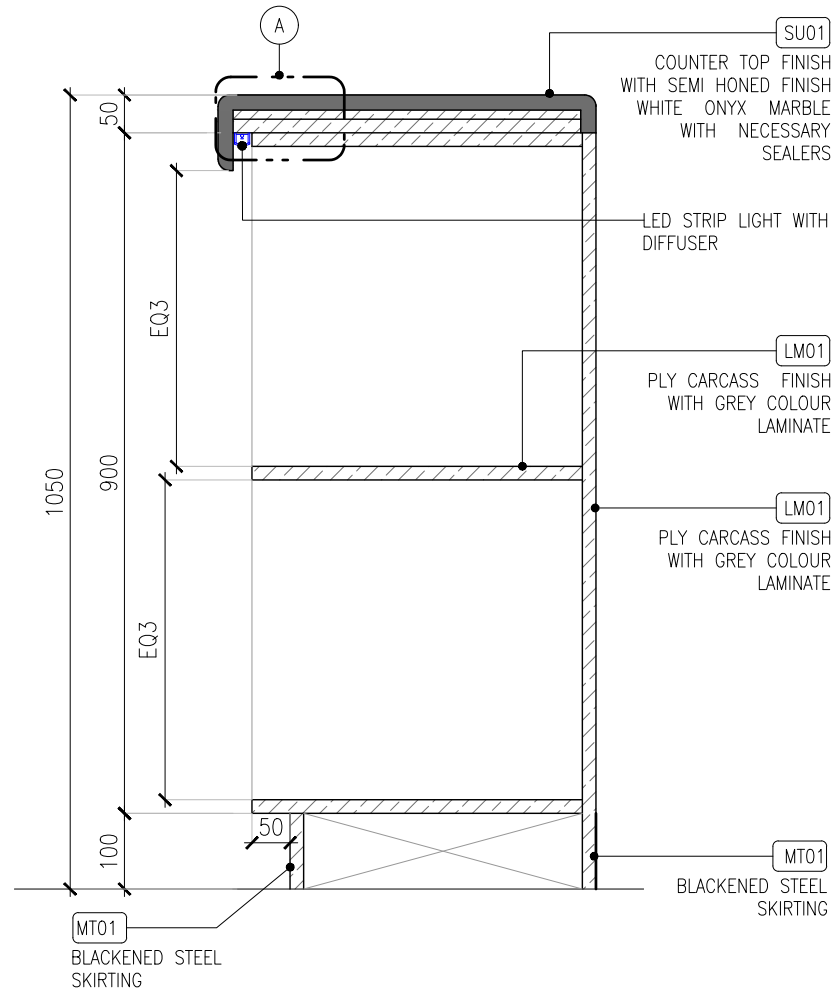
PROJECT
**JAMIE OLIVERS PIZZERIA
HYDERABAD AIRPORT**

DRAWING TITLE
J02-PICK-UP COUNTER DETAIL:PART-A

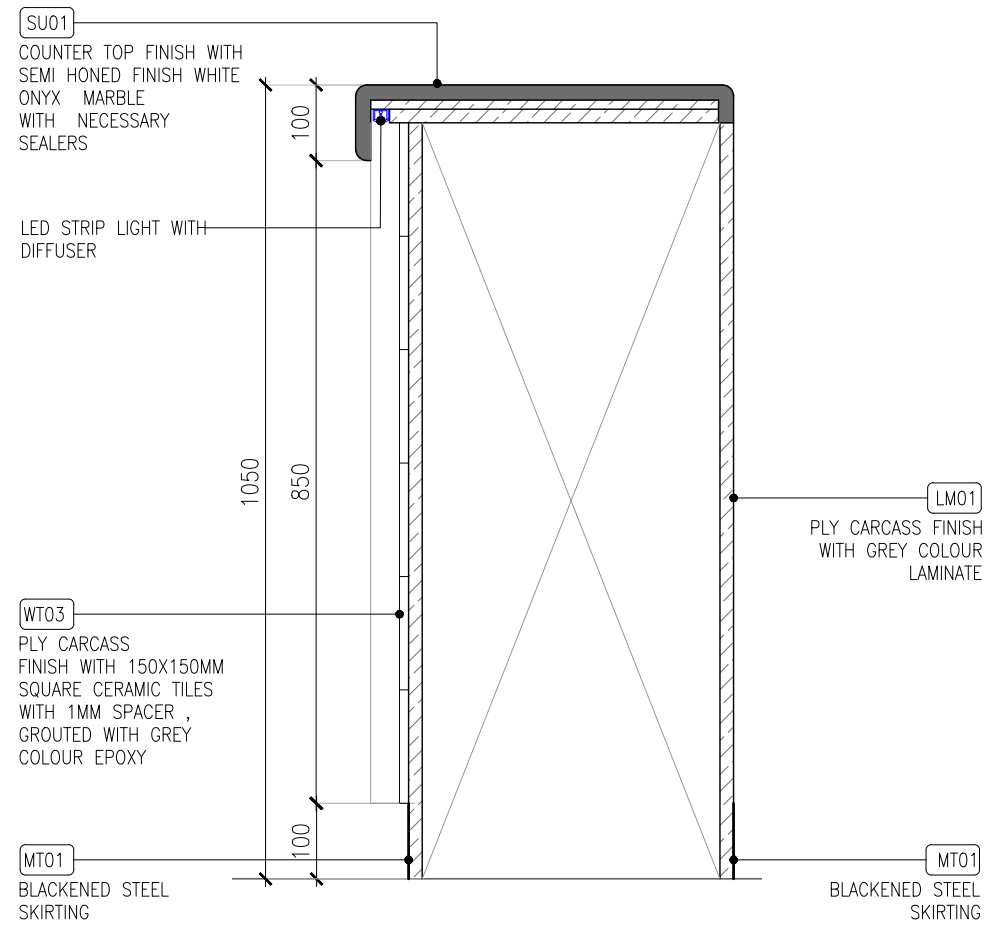
SCALE 1:20 DATE 21.05.2024 DRAWN HOD A3 SHEET

STATUS
GOOD FOR CONSTRUCTION

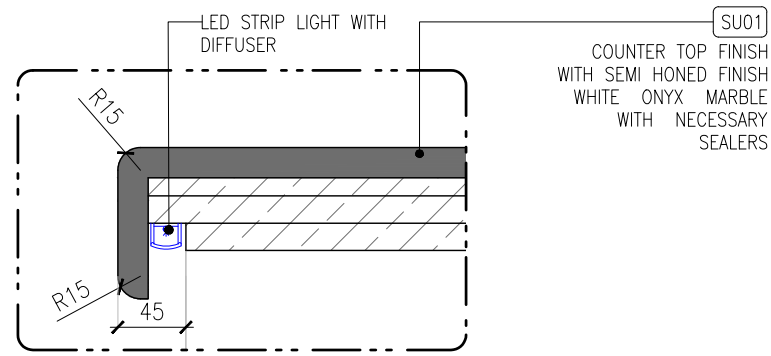
ORG PROJECT NO DRAWING TYPE NUMBER REV
TFS XXXX 04DE 401A C01



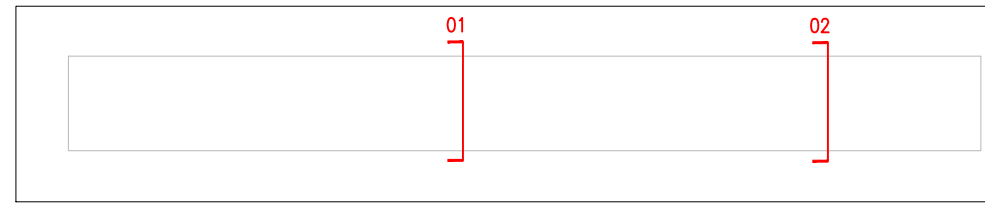
01 SECTION -01
04DE-401B 1:10



01 SECTION -02
04DE-401B 1:10



DETAIL-A (SCALE 1:5)



KEYPLAN

REV	DATE	DESCRIPTION	HOD	NM
C01	21.05.24	GOOD FOR CONSTRUCTION		



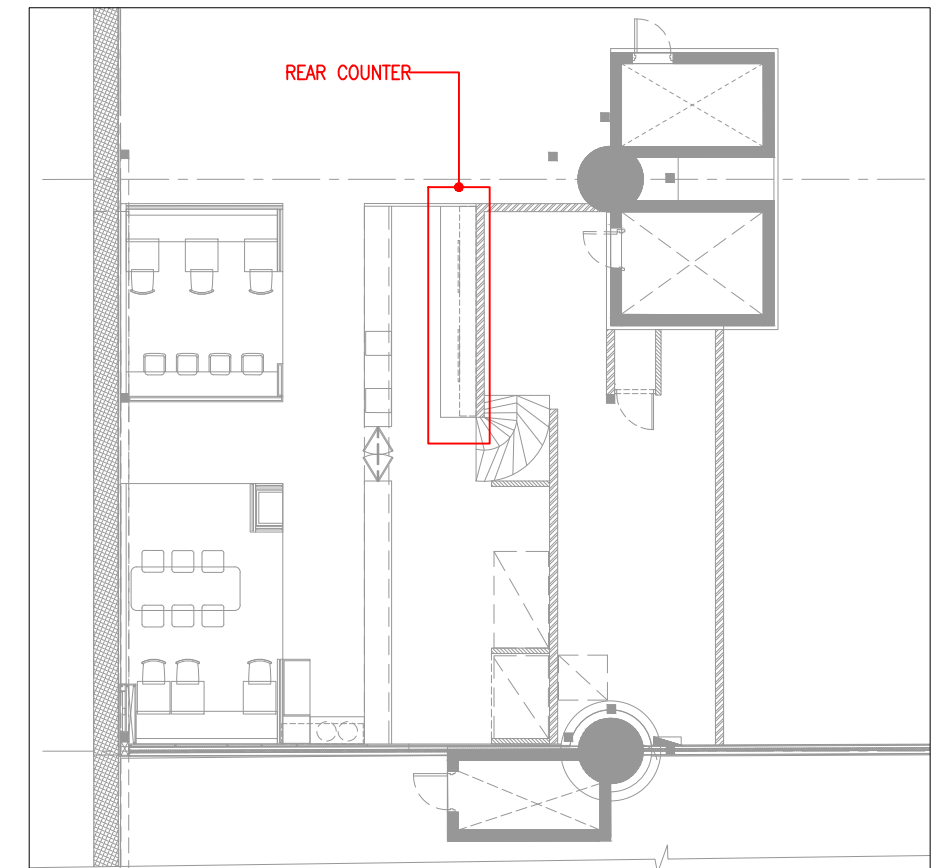
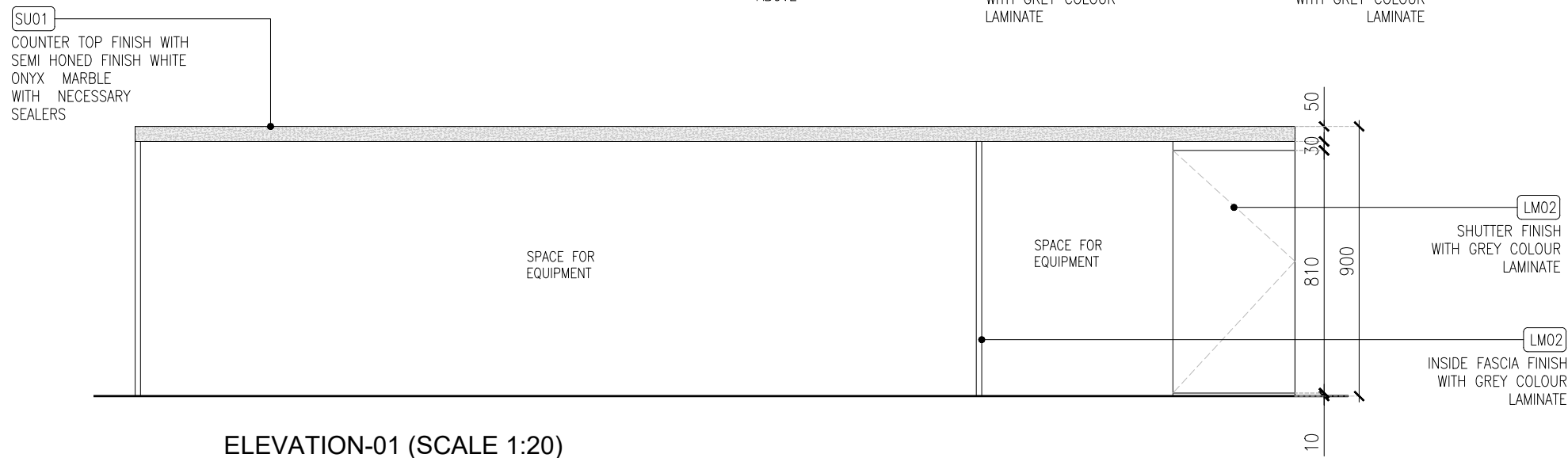
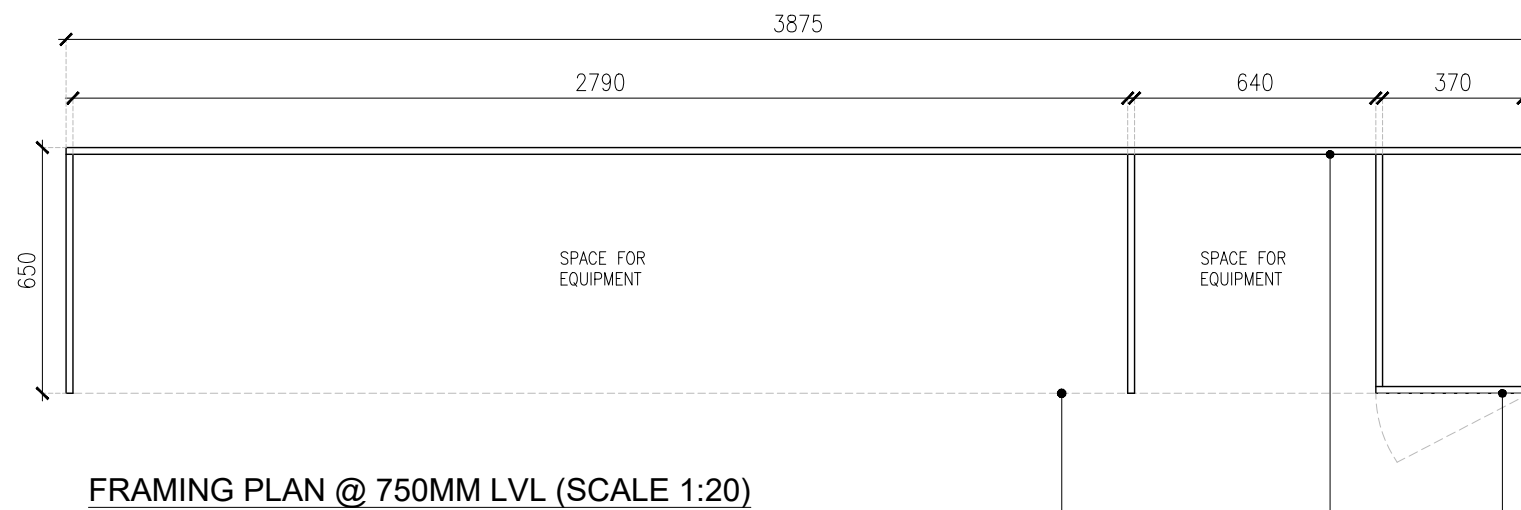
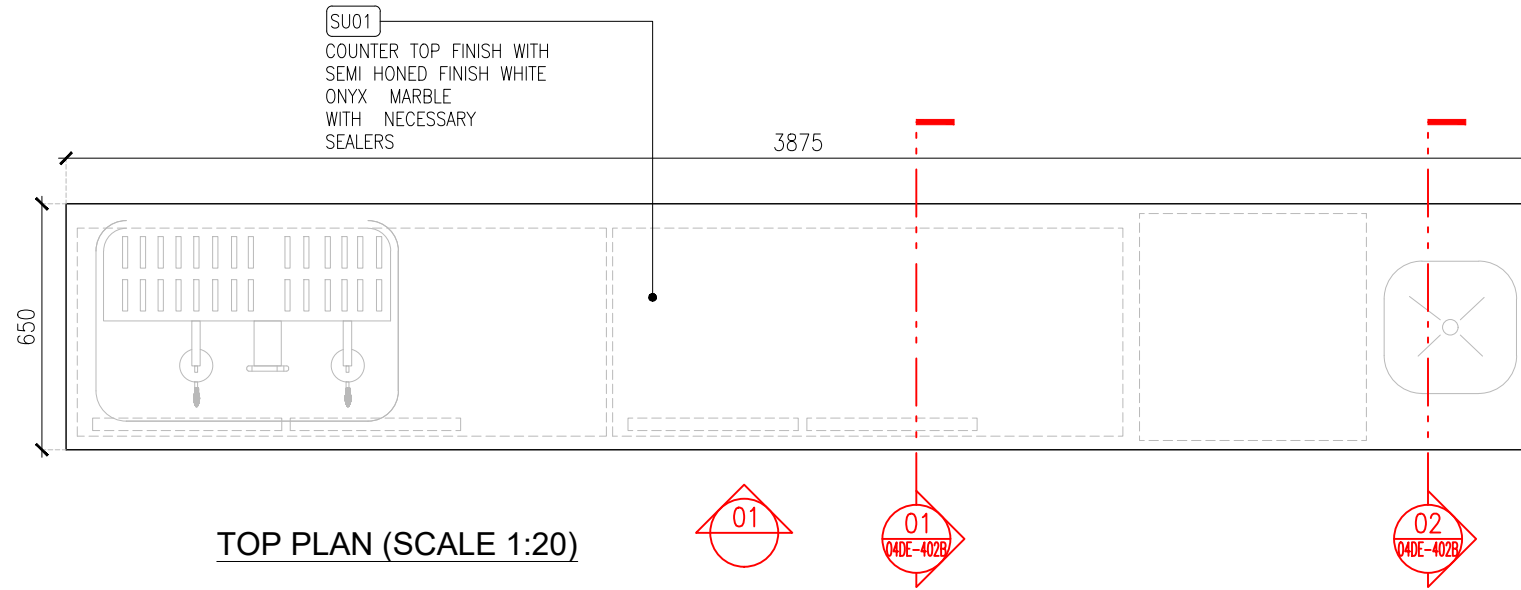
PROJECT
JAMIE OLIVERS PIZZERIA
HYDERABAD AIRPORT

DRAWING TITLE
J02-PICK-UP COUNTER DETAIL:PART-B

SCALE AS MENTIONED DATE 21.05.2024 DRAWN HOD A3 SHEET

STATUS
GOOD FOR CONSTRUCTION

ORG PROJECT NO DRAWING TYPE NUMBER REV
TFS XXXX 04DE 401B C01



REV DATE	DESCRIPTION	HOD NM	DRN CHK
C01 21.05.24	GOOD FOR CONSTRUCTION		



PROJECT
**JAMIE OLIVERS PIZZERIA
HYDERABAD AIRPORT**

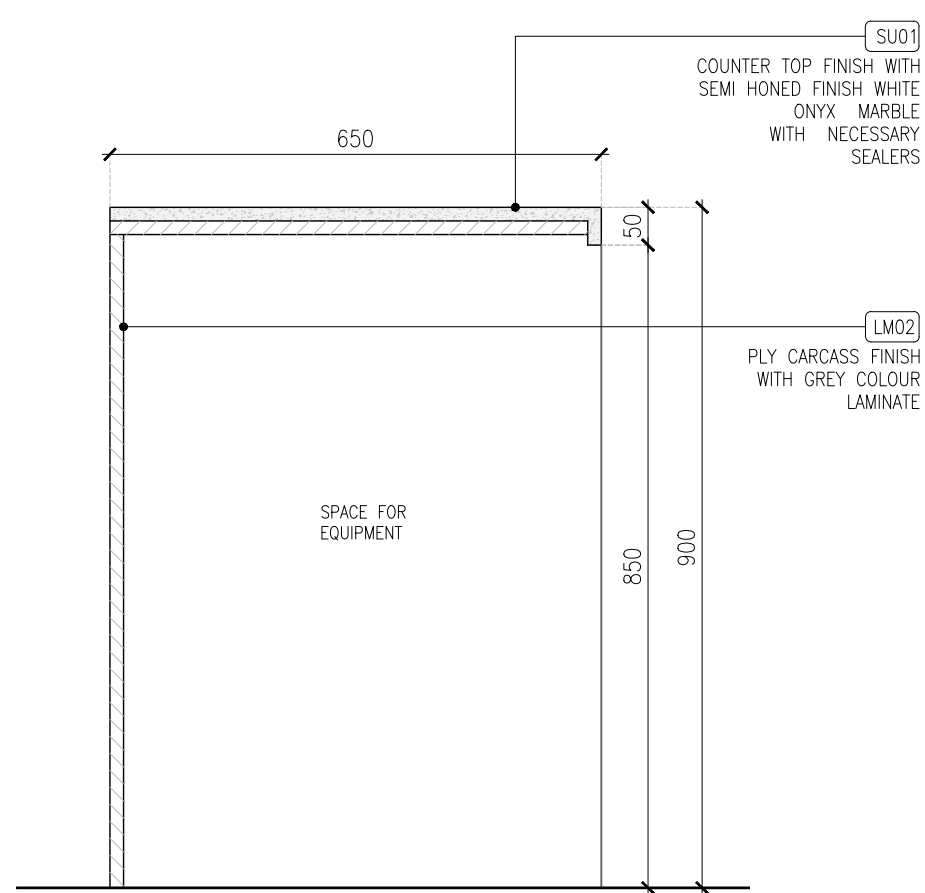
DRAWING TITLE
J03-REAR COUNTER DETAIL:PART-A

SCALE 1:30 DATE 21.05.2024 DRAWN HOD A3 SHEET

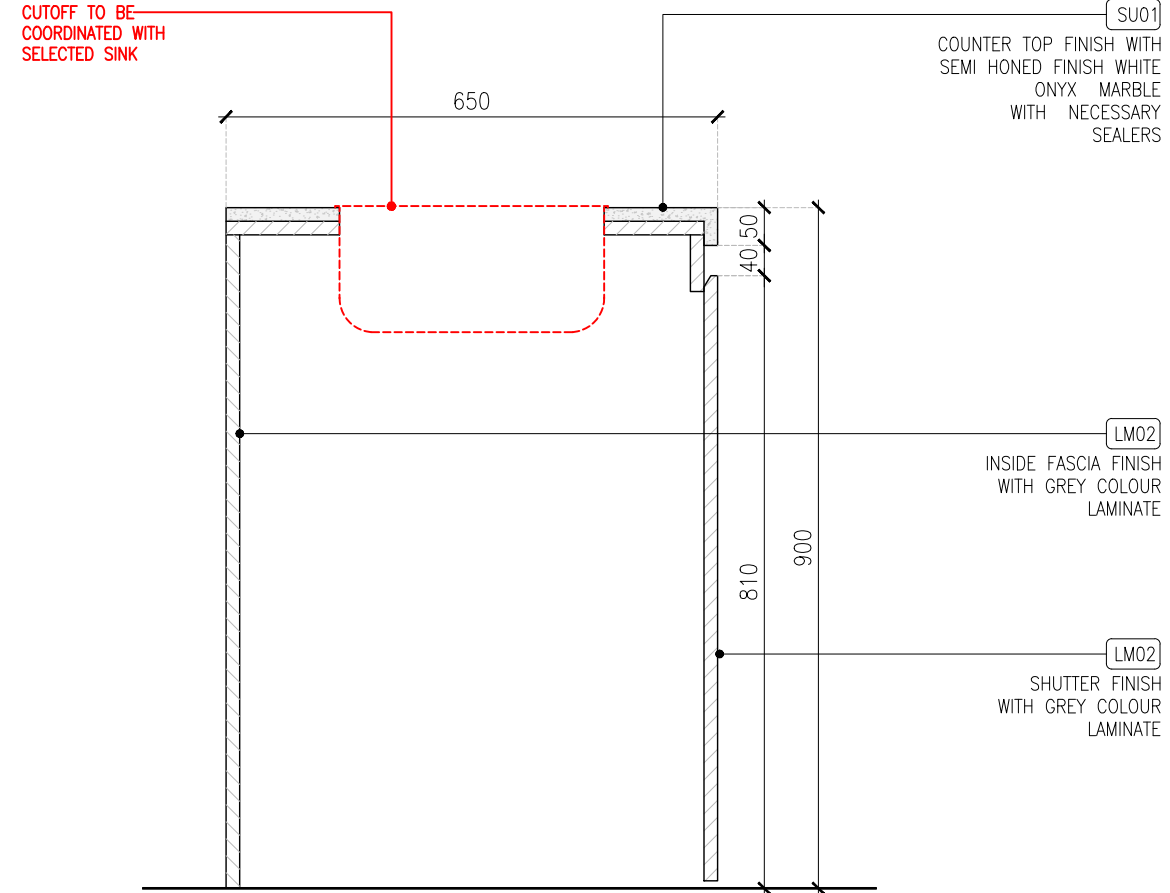
STATUS
GOOD FOR CONSTRUCTION

ORG PROJECT NO DRAWING TYPE NUMBER REV
TFS XXXX 04DE 402A C01

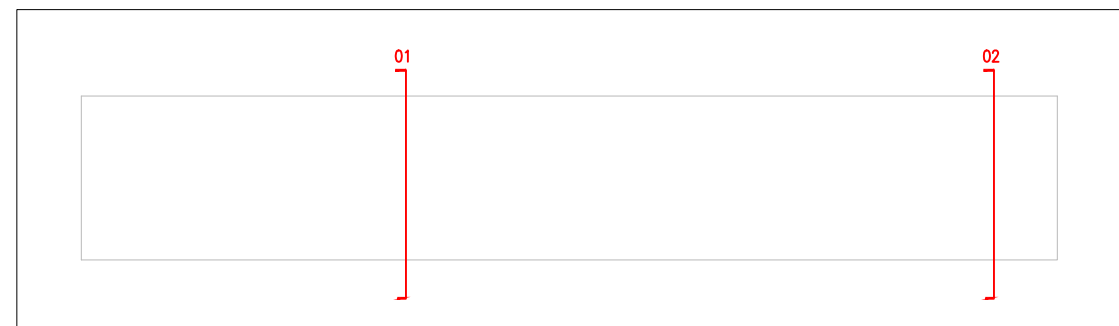
01 J03-REAR COUNTER DETAIL:PART-A
04DE-402A



01 SECTION-01
040E-402B 1:10



02 SECTION-02
040E-402B 1:10



KEY PLAN

C01	21.05.24	GOOD FOR CONSTRUCTION	HOD	NM
REV	DATE	DESCRIPTION	DRN	CHK



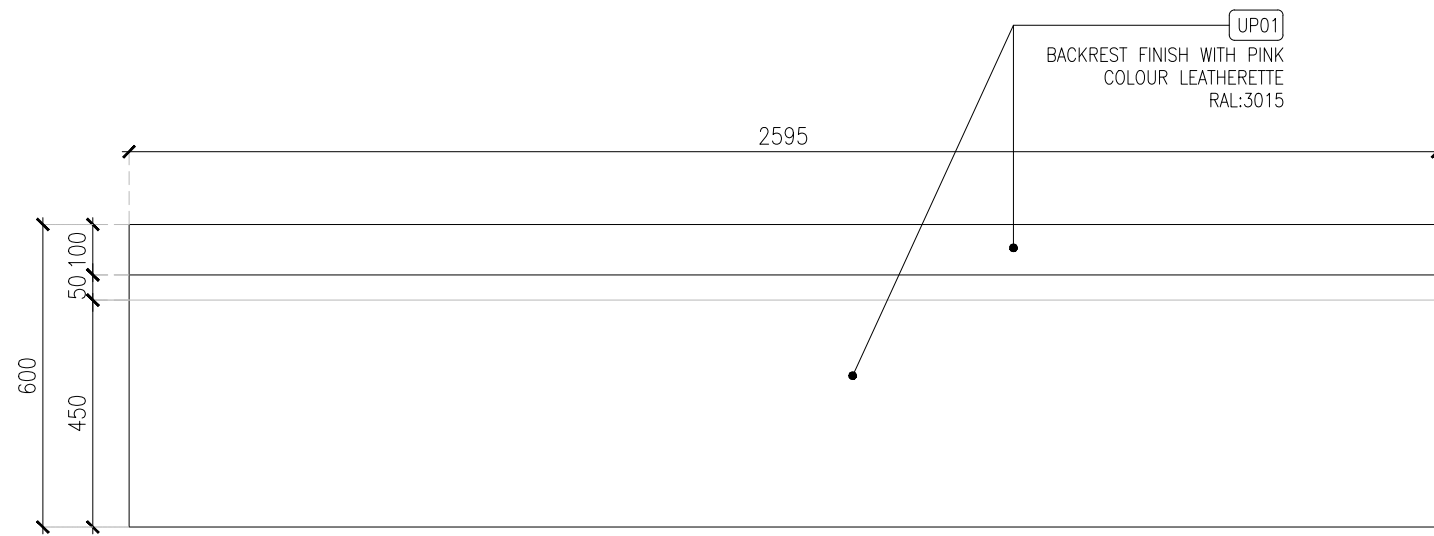
PROJECT
**JAMIE OLIVERS PIZZERIA
HYDERABAD AIRPORT**

DRAWING TITLE
J03-REAR COUNTER DETAIL:PART-B

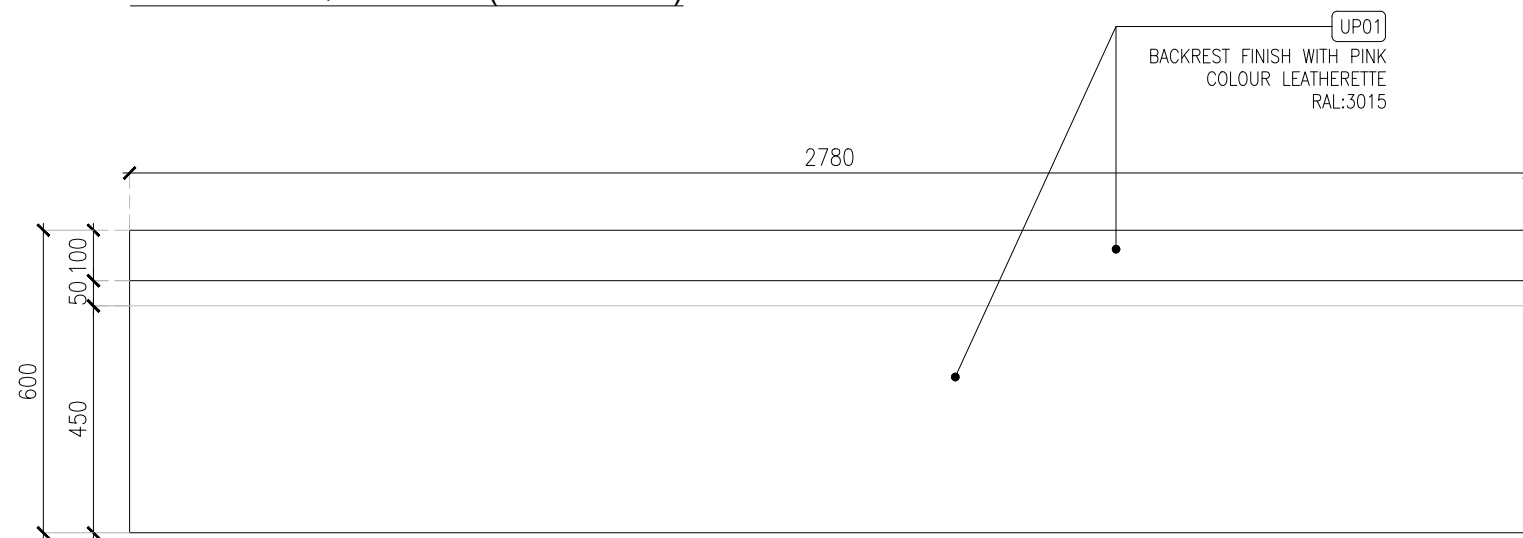
SCALE 1:10 DATE 21.05.2024 DRAWN HOD A3 SHEET

STATUS
GOOD FOR CONSTRUCTION

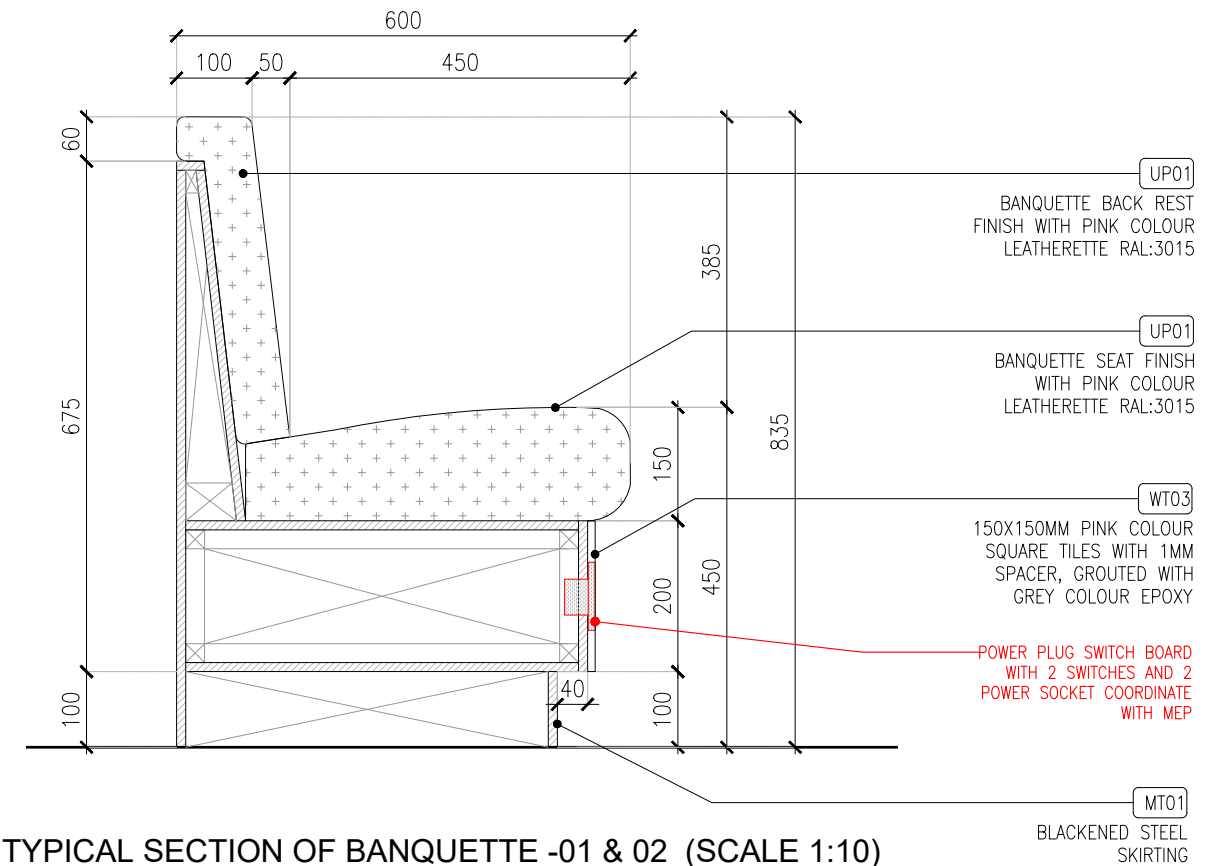
ORG	PROJECT NO	DRAWING TYPE	NUMBER	REV
TFS	XXXX	02GA	402B	C01



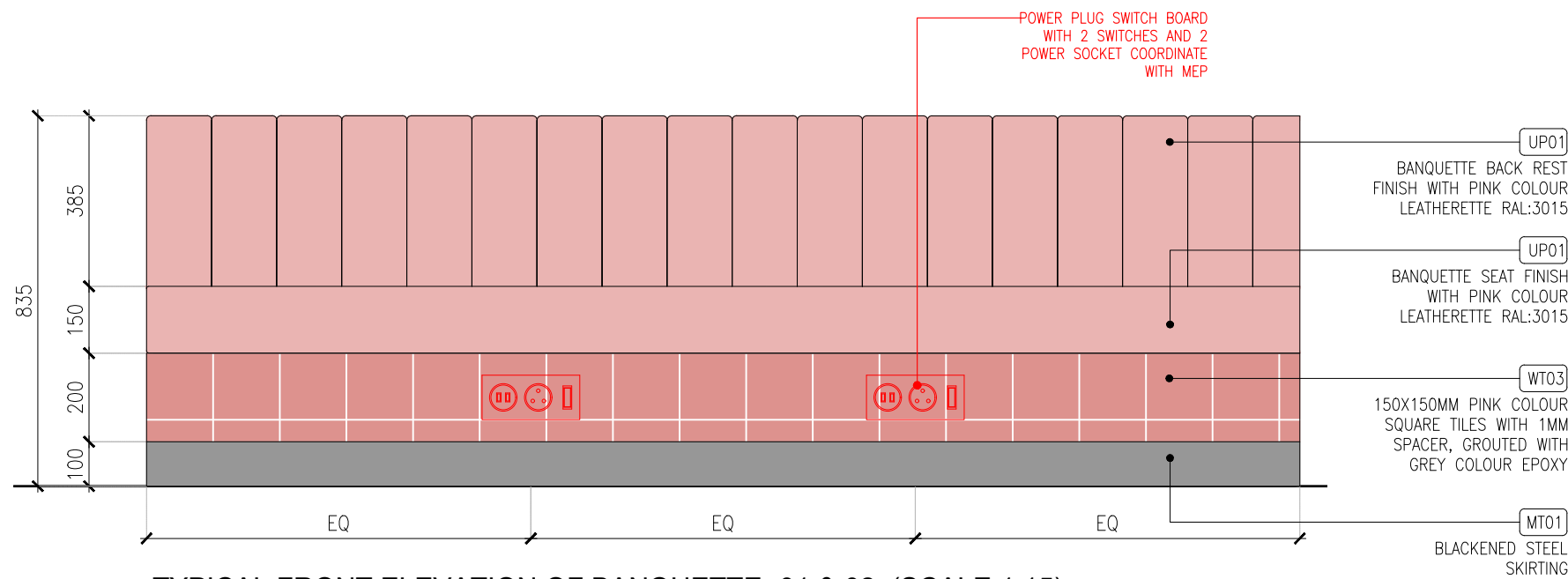
PLAN - BANQUETTE 01 (SCALE 1:15)



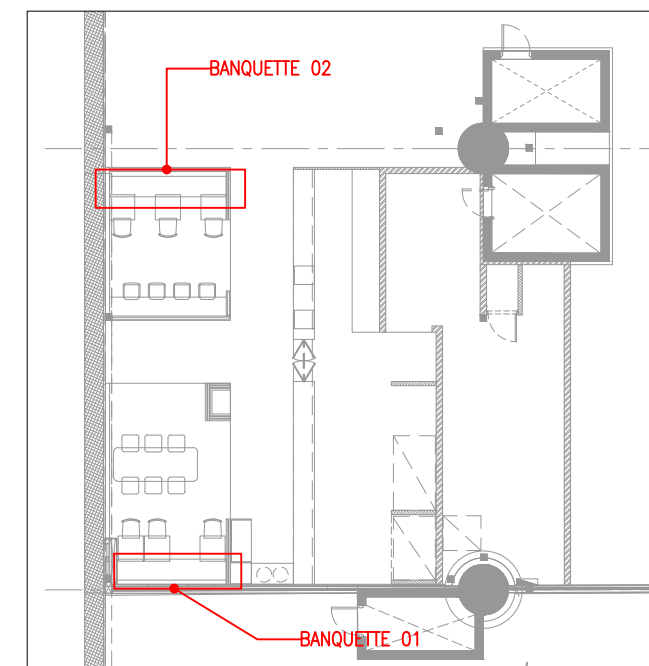
PLAN - BANQUETTE 02 (SCALE 1:15)



TYPICAL SECTION OF BANQUETTE -01 & 02 (SCALE 1:10)



TYPICAL FRONT ELEVATION OF BANQUETTE -01 & 02 (SCALE 1:15)



KEYPLAN

REV	DATE	DESCRIPTION	HOD	NM
C01	21.05.24	GOOD FOR CONSTRUCTION		



PROJECT
**JAMIE OLIVERS PIZZERIA
HYDERABAD AIRPORT**

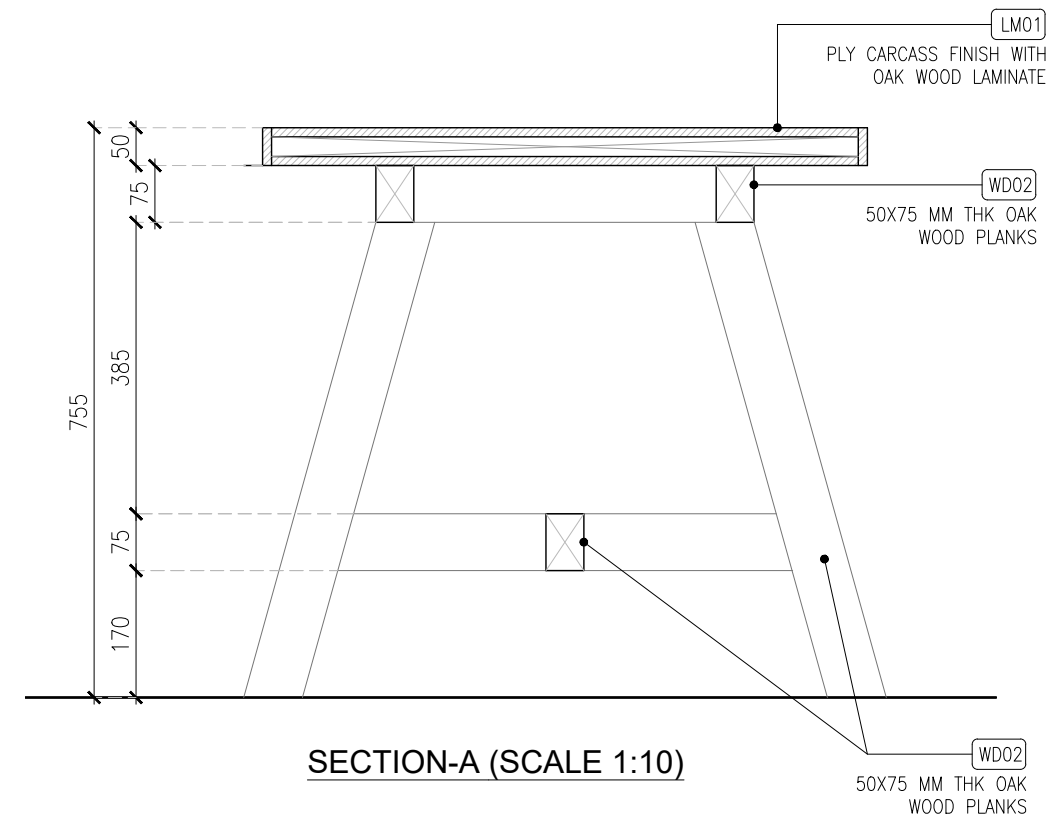
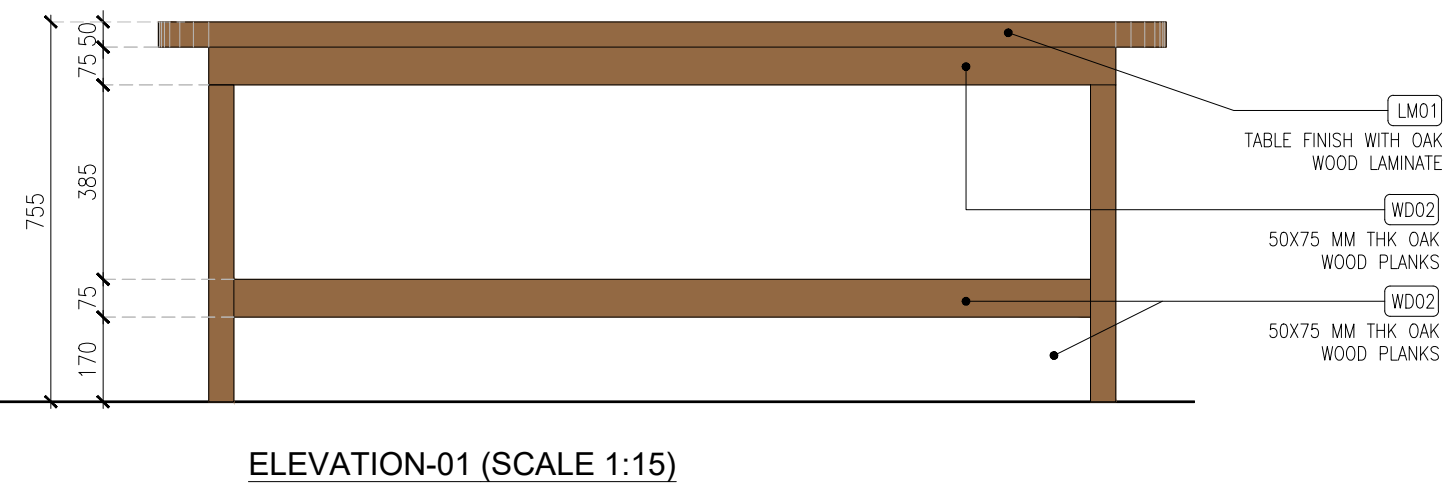
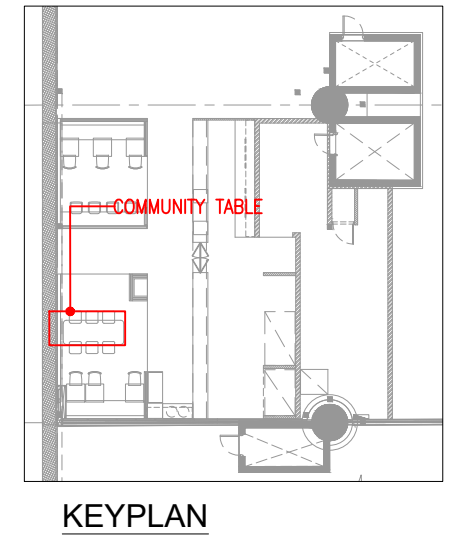
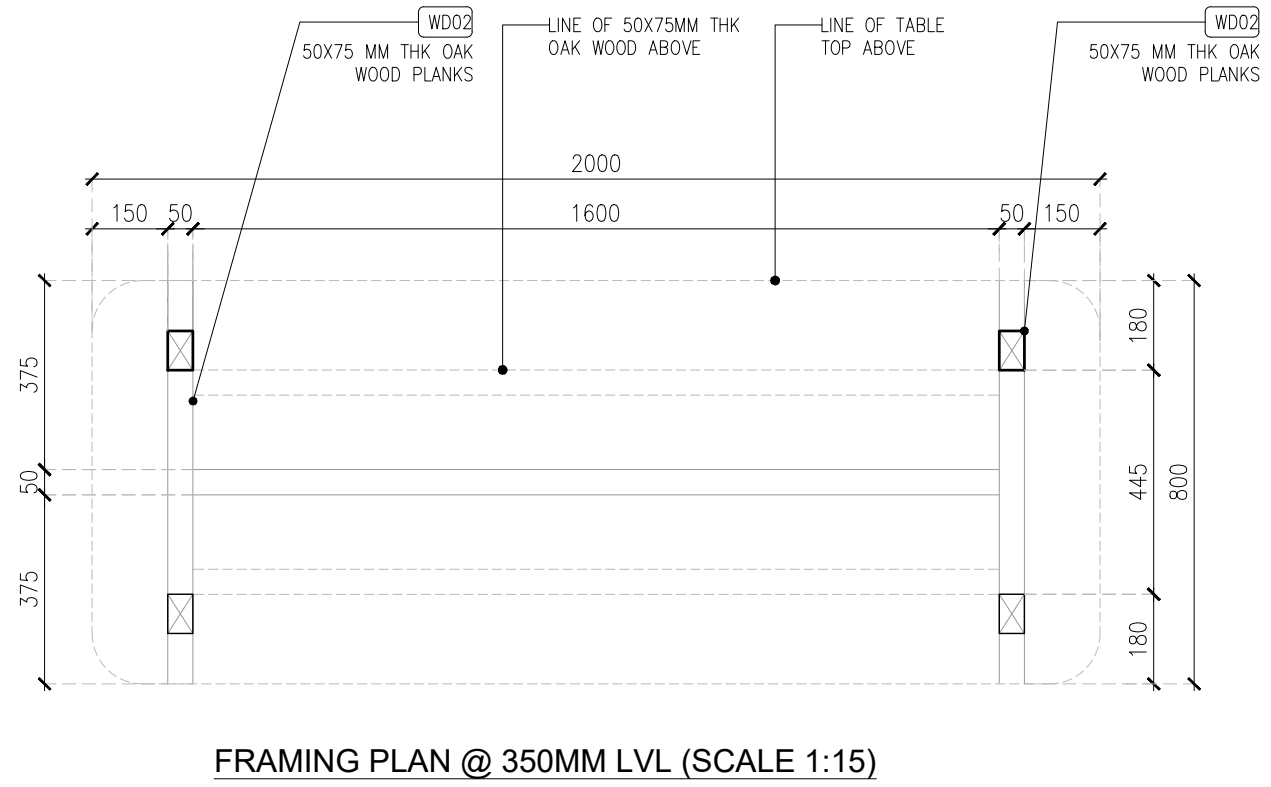
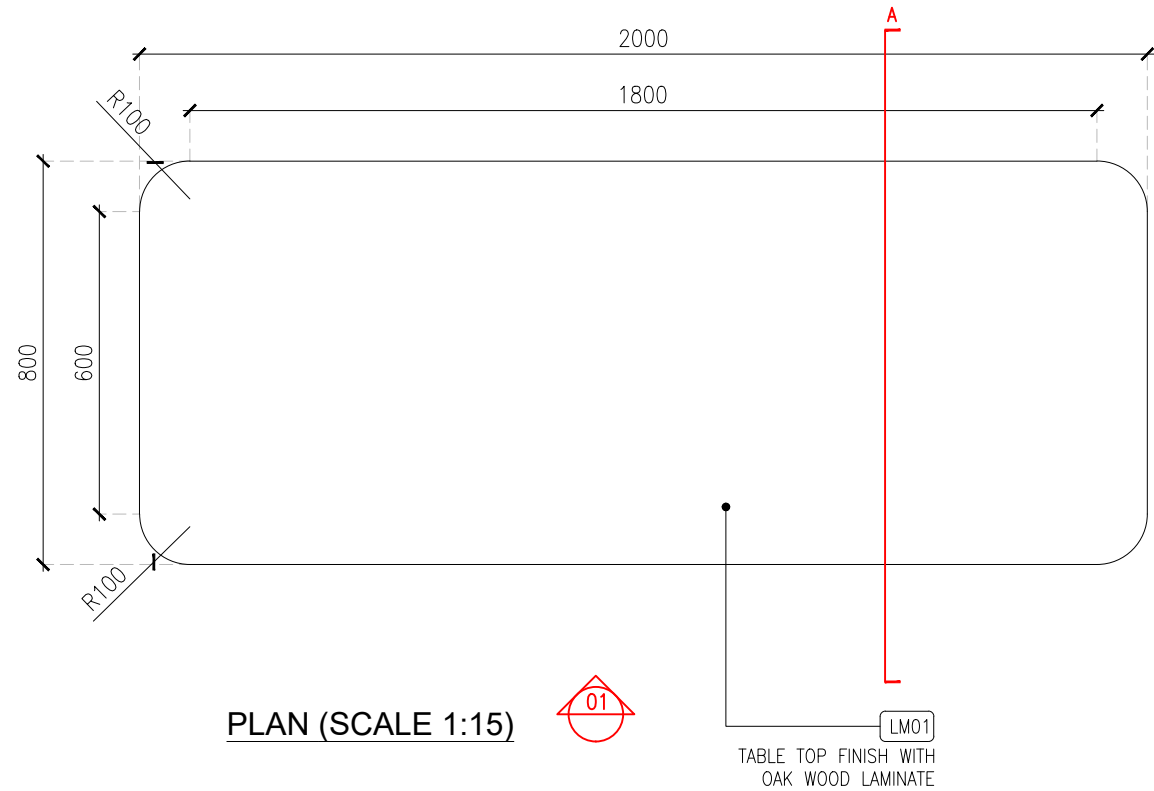
DRAWING TITLE
J04-BANQUETTE-01 & 02 DETAIL

SCALE AS MENTIONED DATE 21.05.2024 DRAWN HOD A3 SHEET

STATUS
GOOD FOR CONSTRUCTION

ORG PROJECT NO DRAWING TYPE NUMBER REV
TFS XXXX 04DE 403 C01

01 J04-BANQUETTE -01 & 02 DETAIL
04DE-403 1:15



01 J05-COMMUNITY TABLE DETAIL

C01 21.05.24 GOOD FOR CONSTRUCTION HOD NM
REV DATE DESCRIPTION DRN CHK



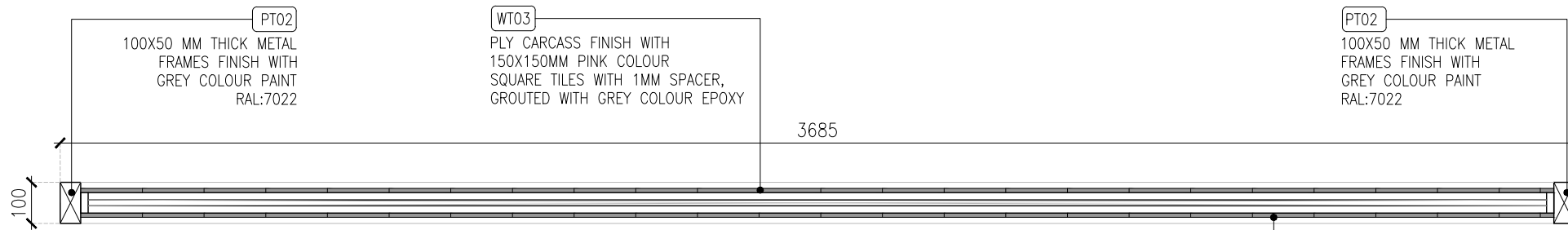
PROJECT
JAMIE OLIVERS PIZZERIA
HYDERABAD AIRPORT

DRAWING TITLE
J05-COMMUNITY TABLE DETAIL

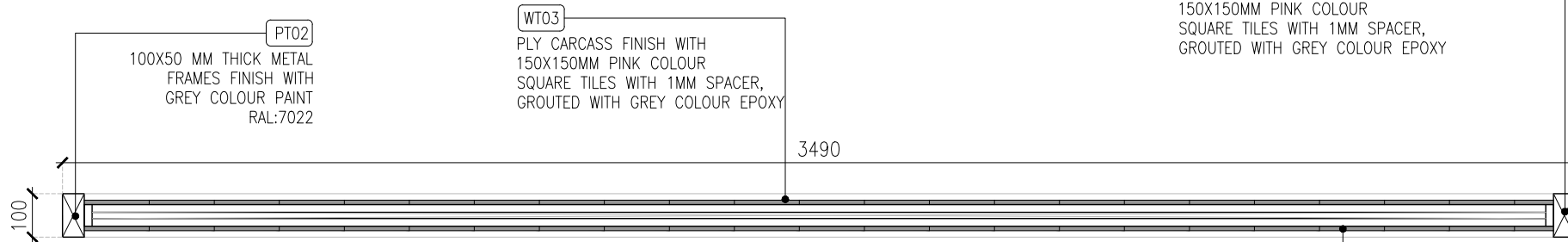
SCALE AS MENTIONED DATE 21.05.2024 DRAWN HOD A3 SHEET

STATUS
GOOD FOR CONSTRUCTION

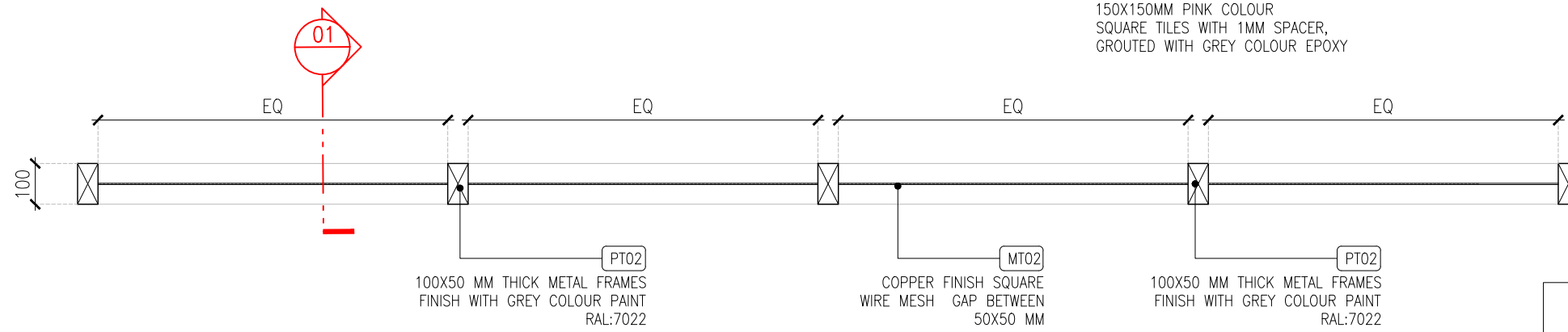
ORG	PROJECT NO	DRAWING TYPE	NUMBER	REV
TFS	XXXX	04DE	404	C01



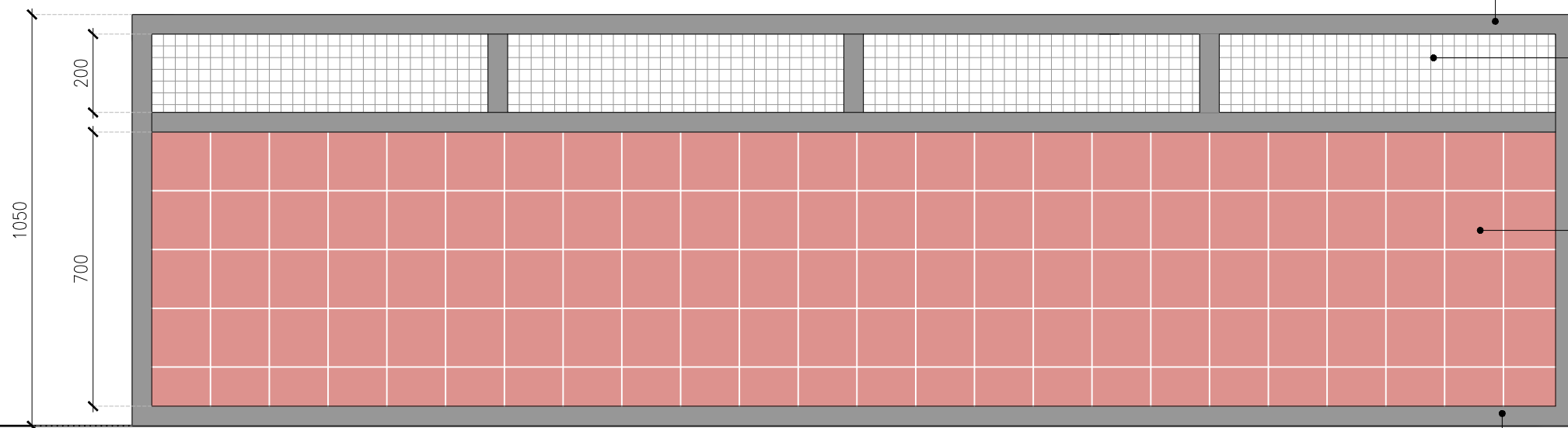
PARTITION WALL-01 FRAMING PLAN @ 700MM LVL (SCALE 1:15)



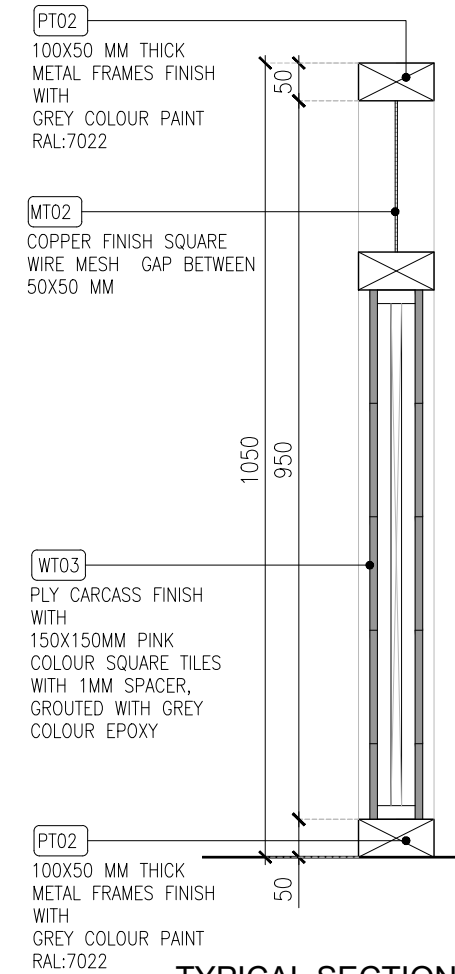
PARTITION WALL-02 FRAMING PLAN @ 700MM LVL (SCALE 1:15)



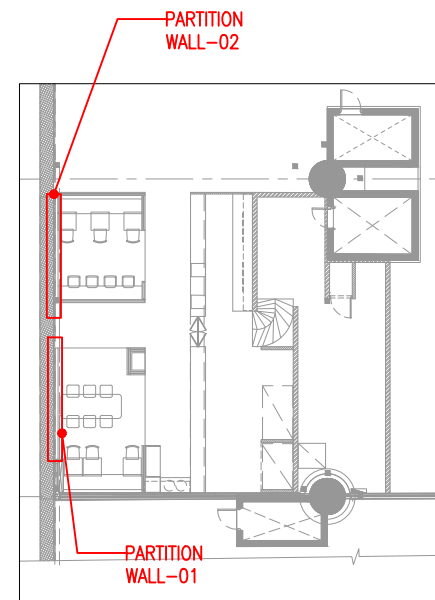
TYPICAL FRAMING PLAN @ 900MM LVL (SCALE 1:15)



TYPICAL ELEVATION



TYPICAL SECTION-01



KEY PLAN

C01	21.05.24	GOOD FOR CONSTRUCTION	HOD	NM
REV	DATE	DESCRIPTION	DRN	CHK



PROJECT
**JAMIE OLIVERS PIZZERIA
HYDERABAD AIRPORT**

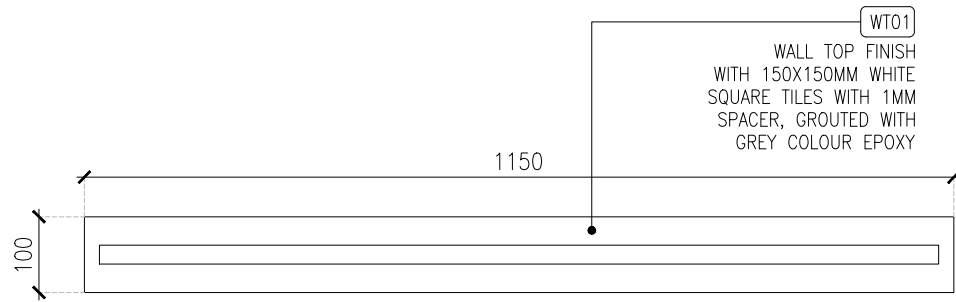
DRAWING TITLE
J06-PARTITION WALL- 01 & 02 DETAIL

SCALE AS MENTIONED DATE 21.05.2024 DRAWN HOD A3 SHEET

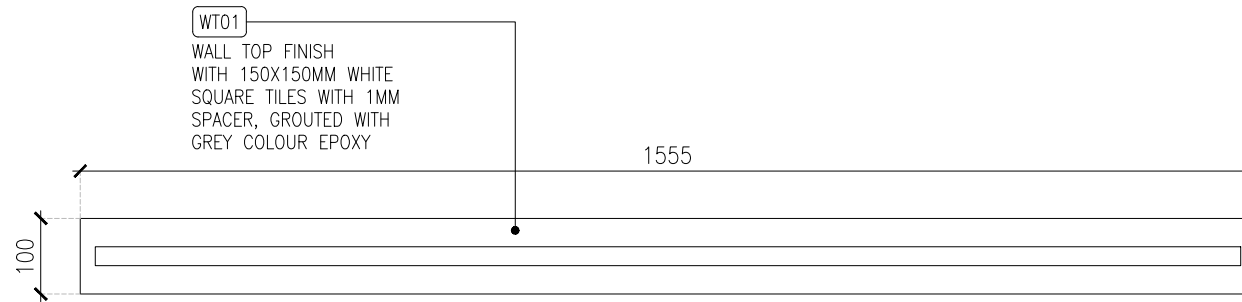
STATUS
GOOD FOR CONSTRUCTION

ORG	PROJECT NO	DRAWING TYPE	NUMBER	REV
TFS	XXXX	04DE	405	C01

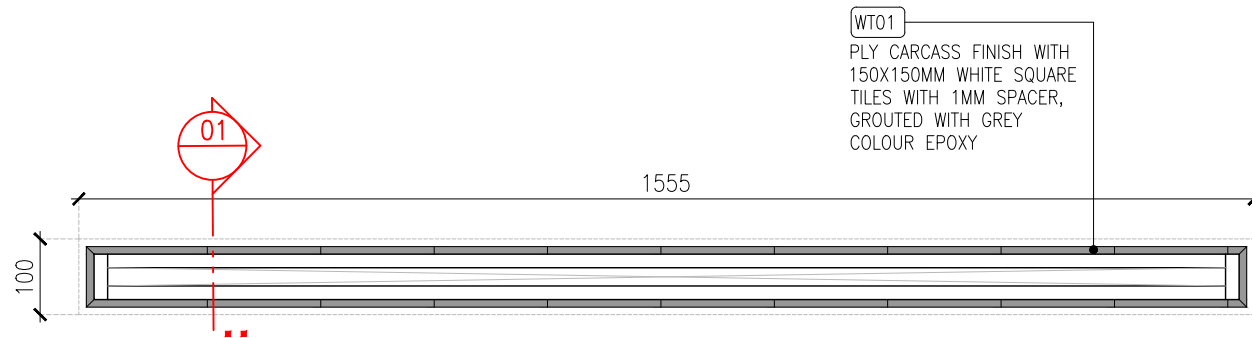
01 J06-PARTITION WALL -01 & 02 DETAIL
04DE-405



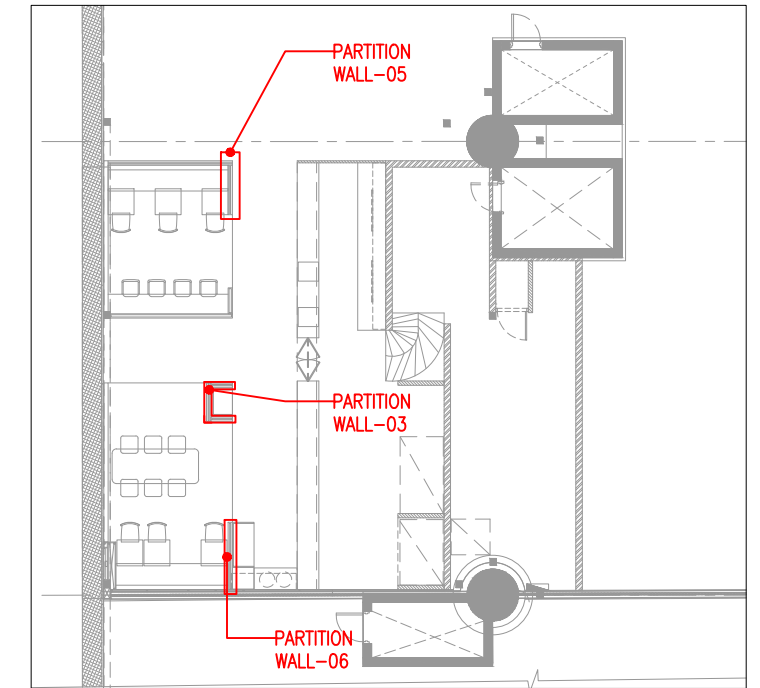
PARTITION WALL-05 TOP PLAN



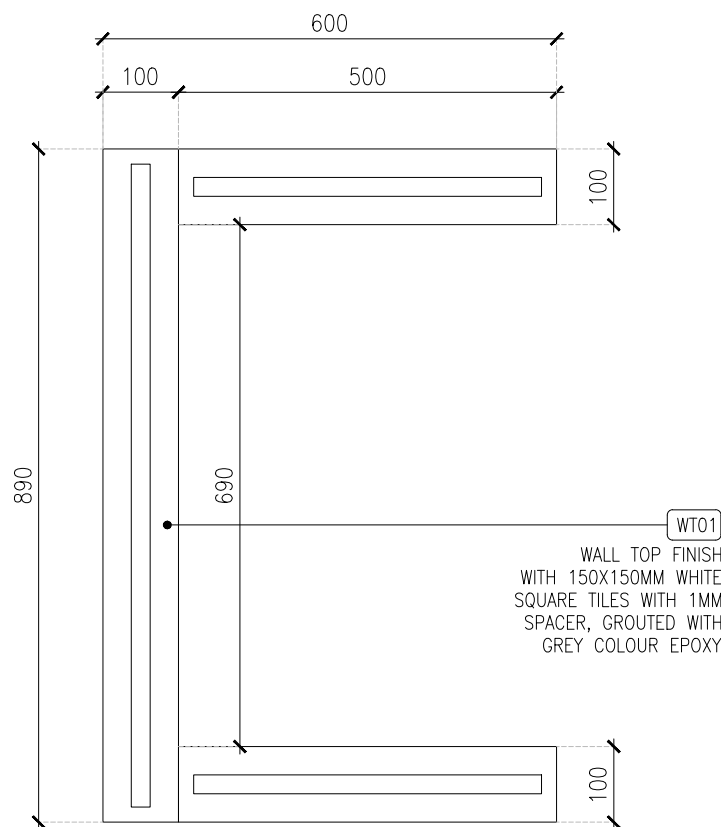
PARTITION WALL-06 TOP PLAN



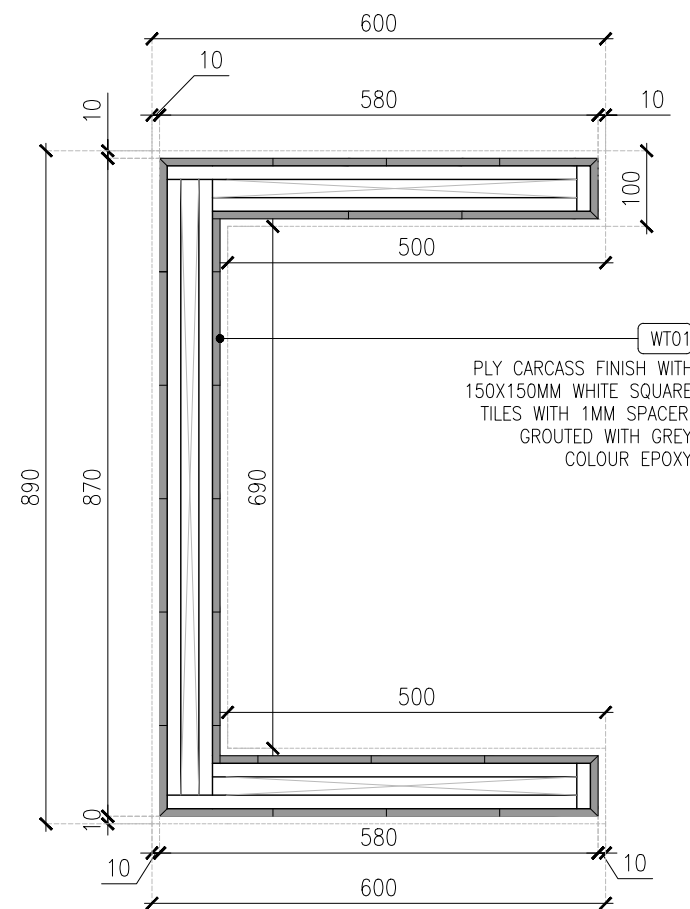
PARTITION WALL-05 & 06 TYPICAL FRAMING PLAN @ 800MM LVL



KEY PLAN



PARTITION WALL-03 TOP PLAN



PARTITION WALL-03 FRAMING PLAN @ 800MM LVL

REV	DATE	DESCRIPTION	HOD	NM
C01	21.05.24	GOOD FOR CONSTRUCTION		
			DRN	CHK



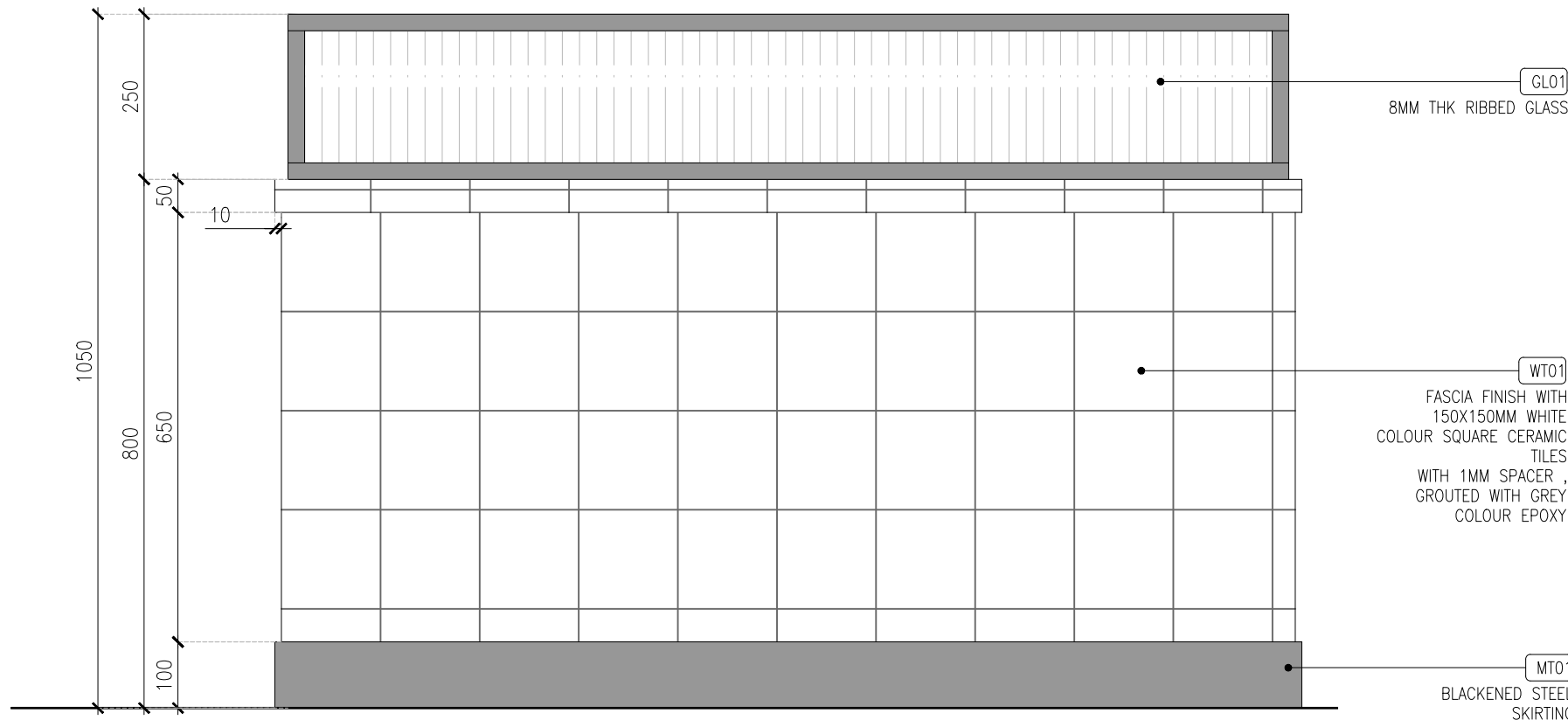
PROJECT
**JAMIE OLIVERS PIZZERIA
HYDERABAD AIRPORT**

DRAWING TITLE
**J07-PARTITION WALL-03,05,06
DETAIL -PART:A**

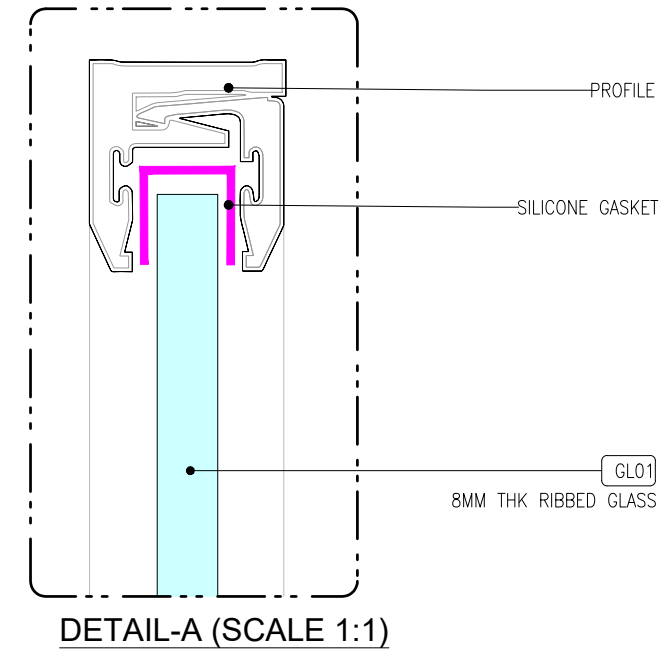
SCALE AS MENTIONED DATE 21.05.2024 DRAWN HOD A3 SHEET

STATUS
GOOD FOR CONSTRUCTION

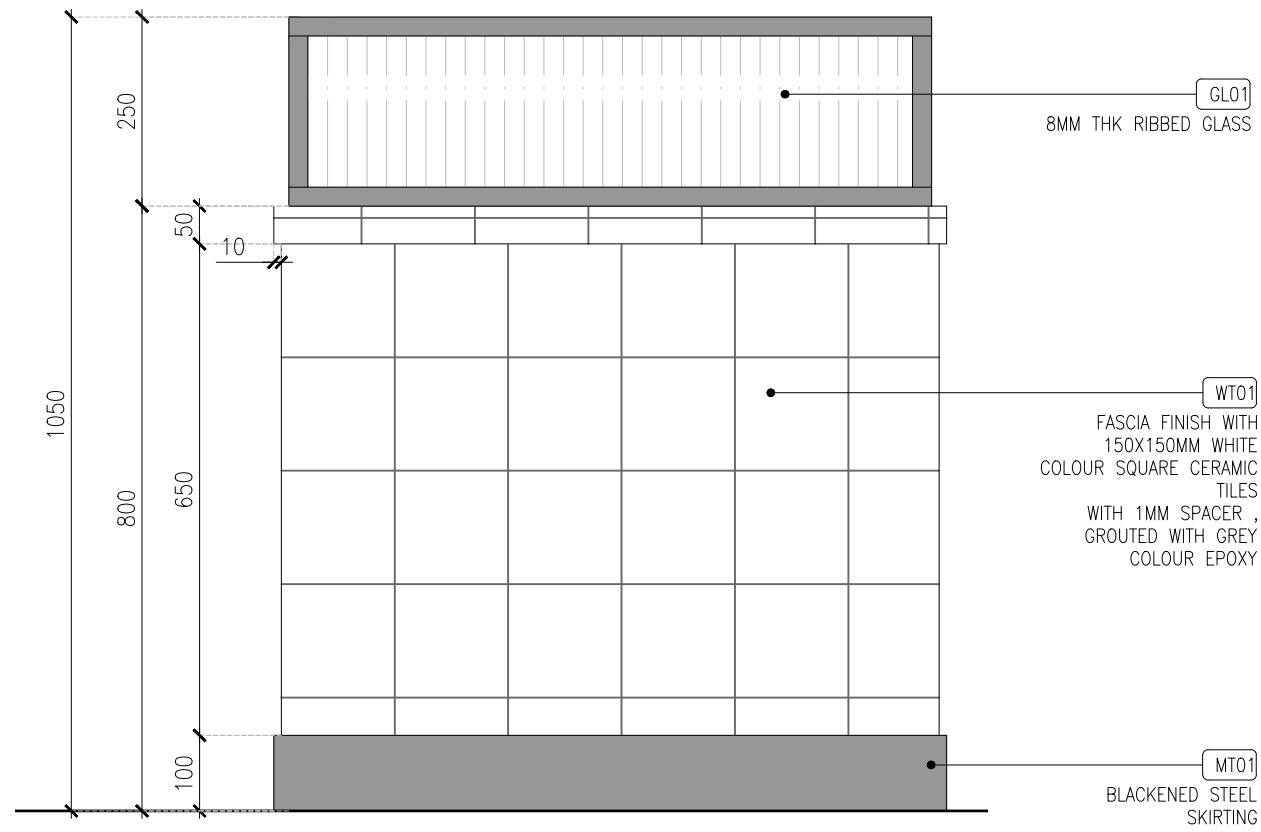
ORG PROJECT NO DRAWING TYPE NUMBER REV
TFS XXXX 04DE 406A C01



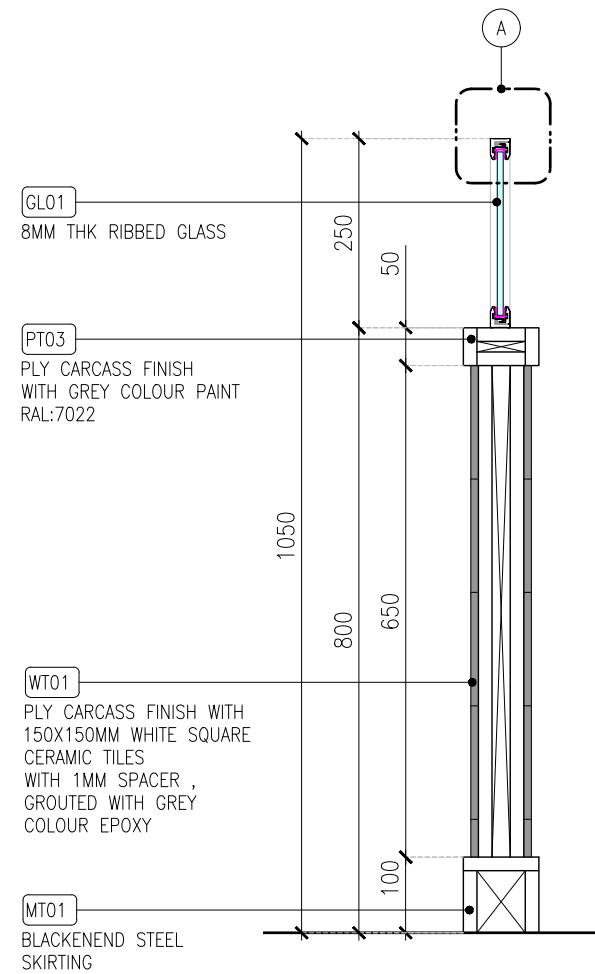
PARTITION WALL 05 & 06 TYPICAL ELEVATION



DETAIL-A (SCALE 1:1)



PARTITION WALL 03 ELEVATION-01



TYPICAL SECTION-01

C01	21.05.24	GOOD FOR CONSTRUCTION	HOD	NM
REV	DATE	DESCRIPTION	DRN	CHK



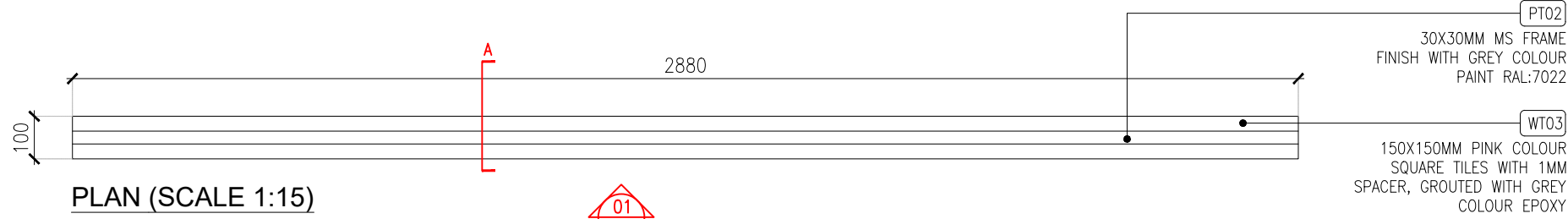
PROJECT
**JAMIE OLIVERS PIZZERIA
HYDERABAD AIRPORT**

DRAWING TITLE
**J07-PARTITION WALL-03,05,06
DETAIL -PART:B**

SCALE AS MENTIONED DATE 21.05.2024 DRAWN HOD A3 SHEET

STATUS
GOOD FOR CONSTRUCTION

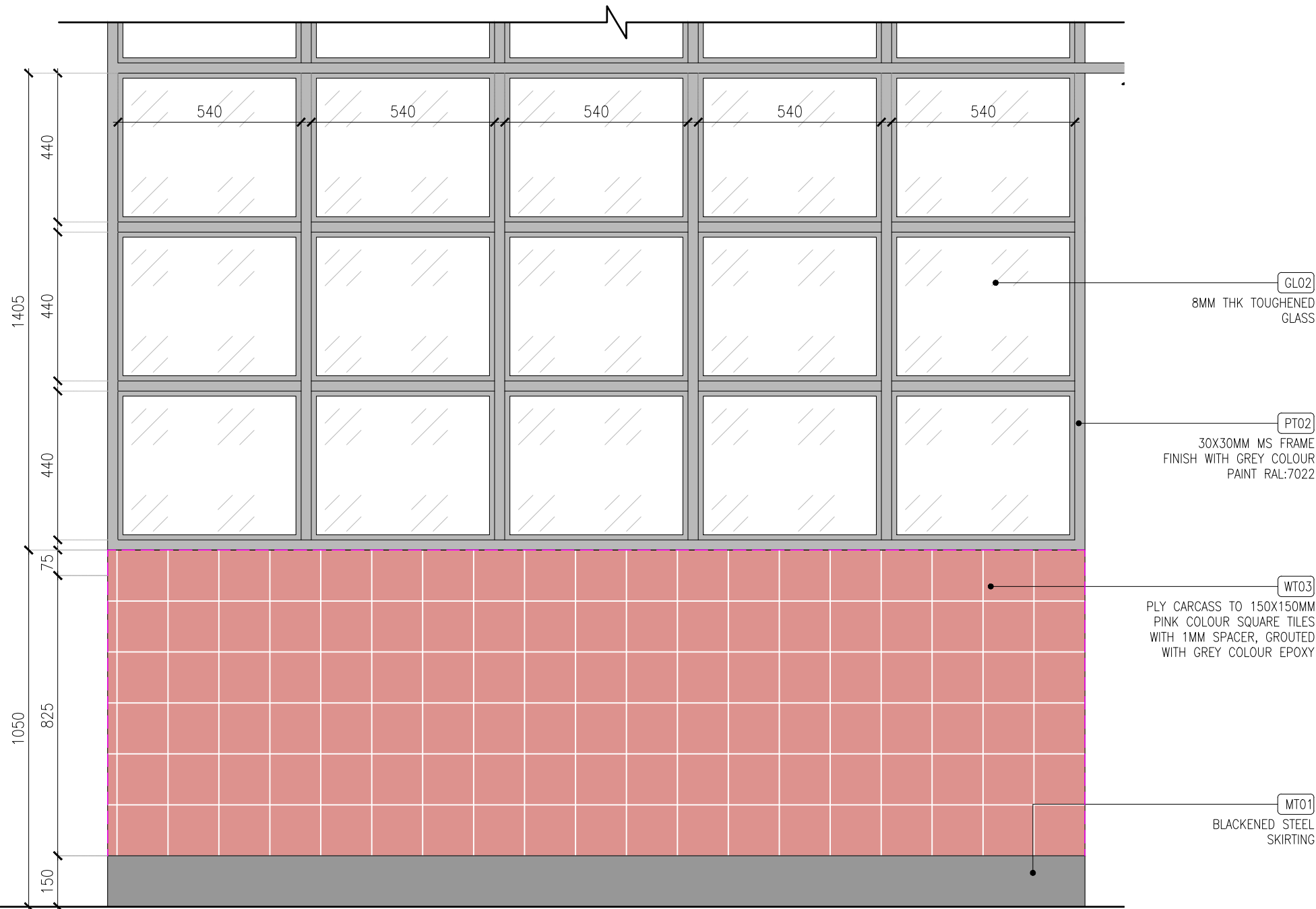
ORG	PROJECT NO	DRAWING TYPE	NUMBER	REV
TFS	XXXX	04DE	406	C01



PLAN (SCALE 1:15)



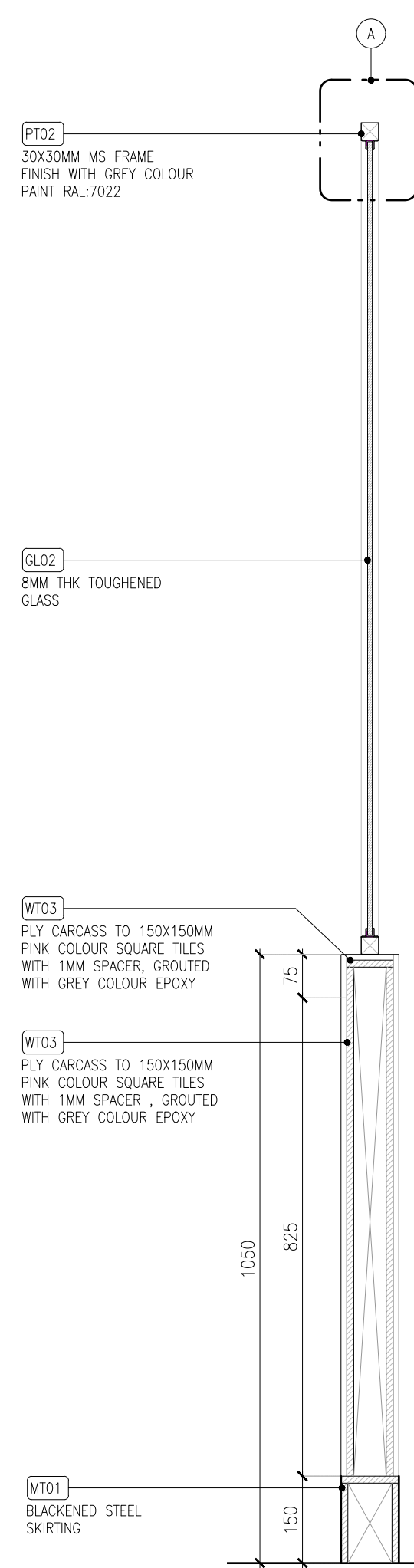
FRAMING PLAN @ 400MM LVL (SCALE 1:15)



ELEVATION-01 (SCALE 1:15)

01 J08-PARTITION WALL-04 DETAIL

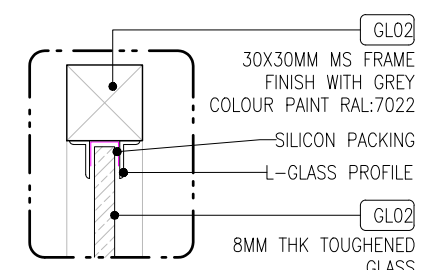
01
04DE-407



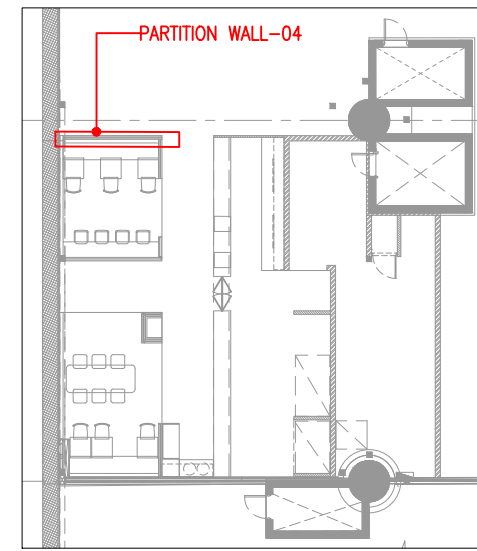
SECTION-A (SCALE 1:10)

ALL DIMENSIONS MUST BE CHECKED ON SITE
INFORM THE ARCHITECT OF ANY DISCREPANCIES PRIOR TO CONSTRUCTION

--- INDICATES TILE JOINT TRIM



DETAIL-A (SCALE 1:3)



KEYPLAN

C01	21.05.24	GOOD FOR CONSTRUCTION	HOD	NM
REV	DATE	DESCRIPTION	DRN	CHK



PROJECT
JAMIE OLIVERS PIZZERIA
HYDERABAD AIRPORT

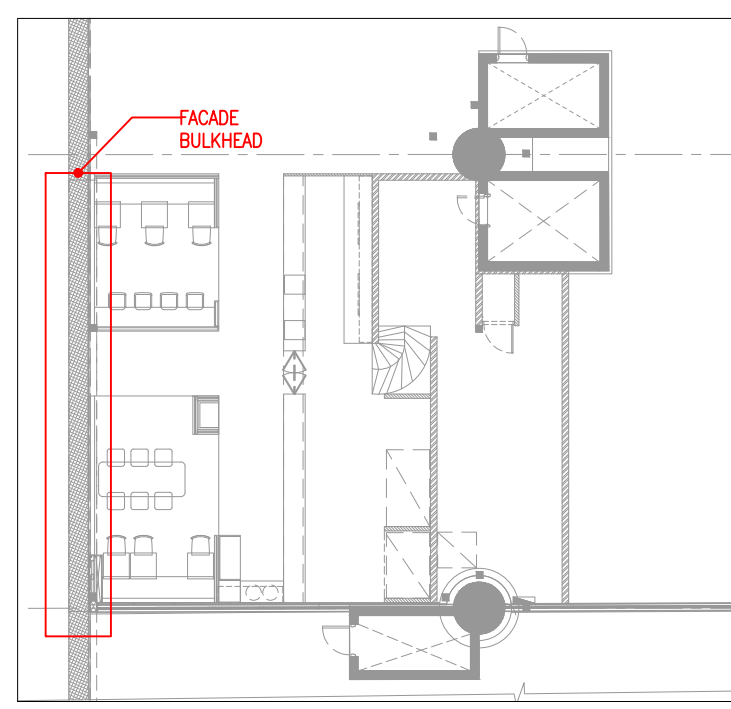
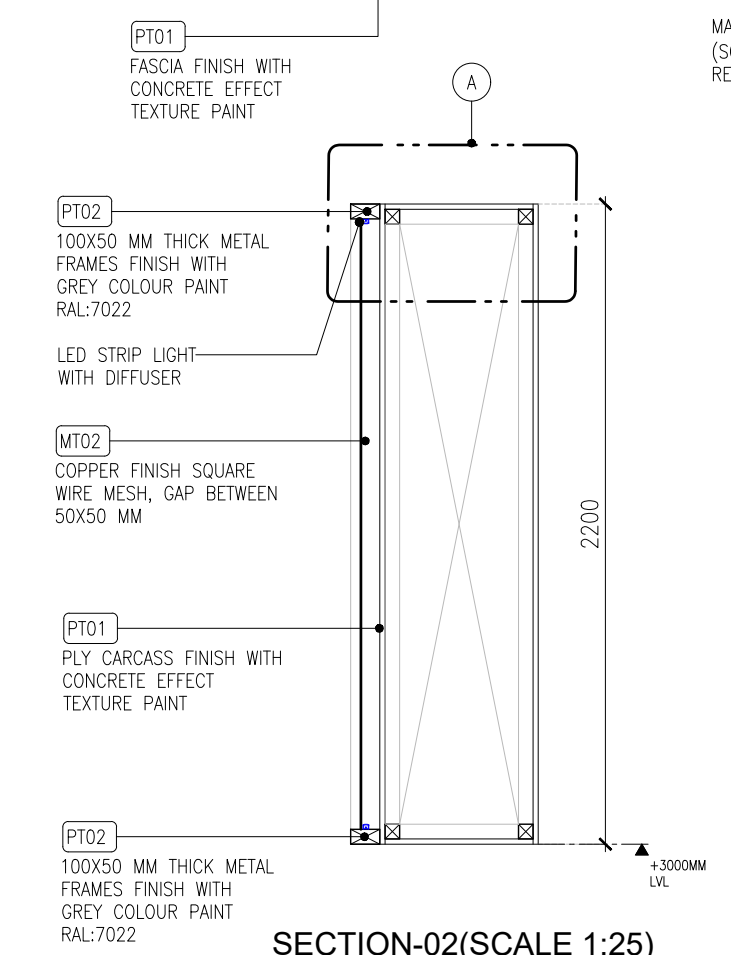
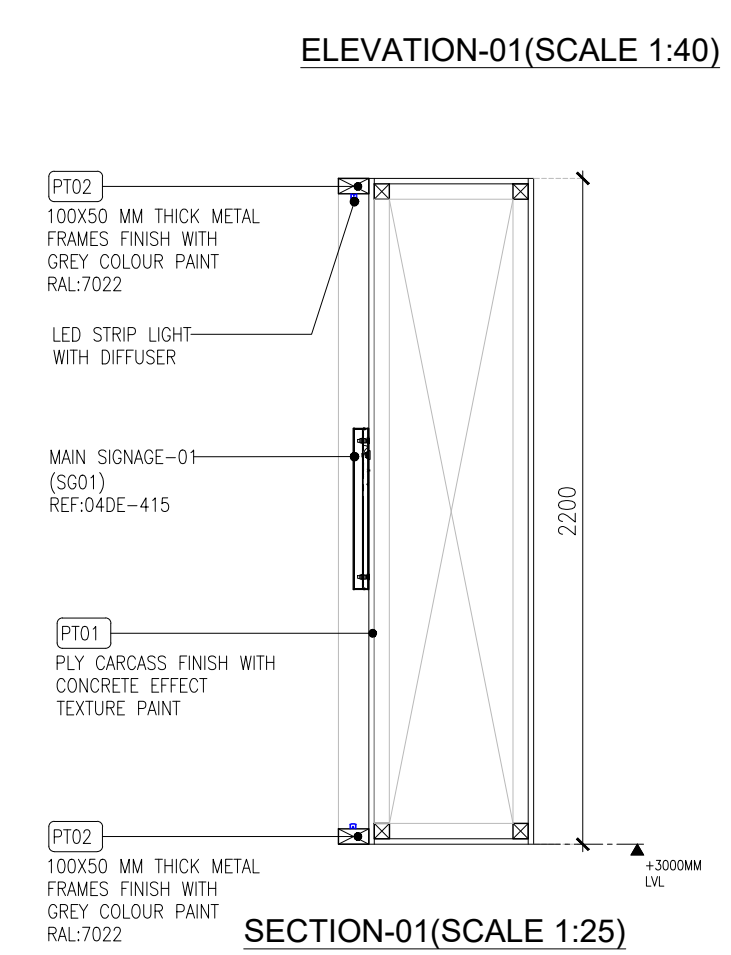
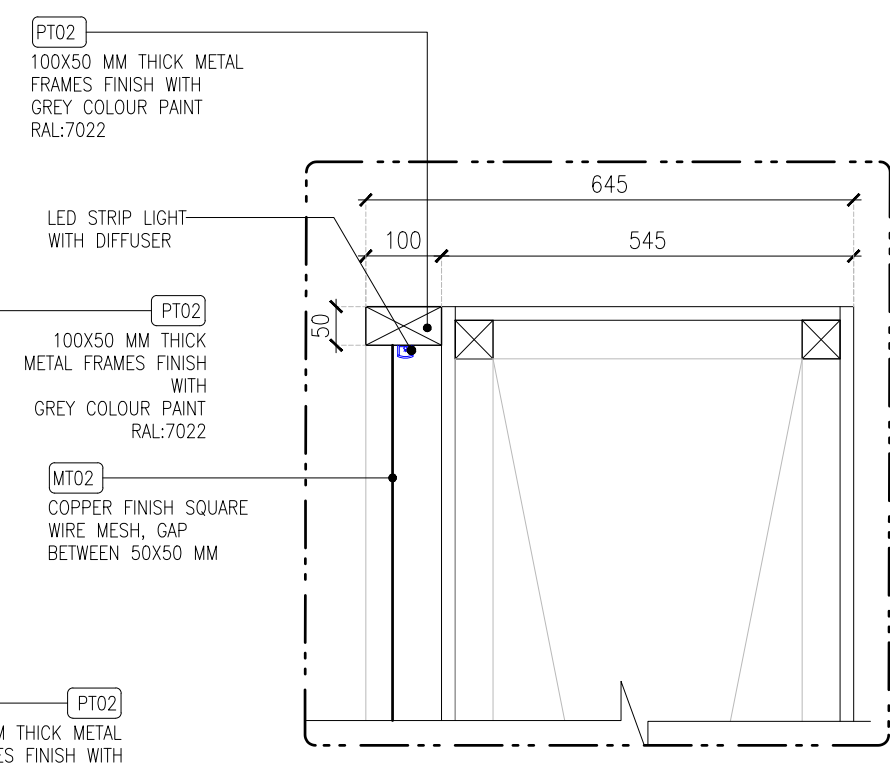
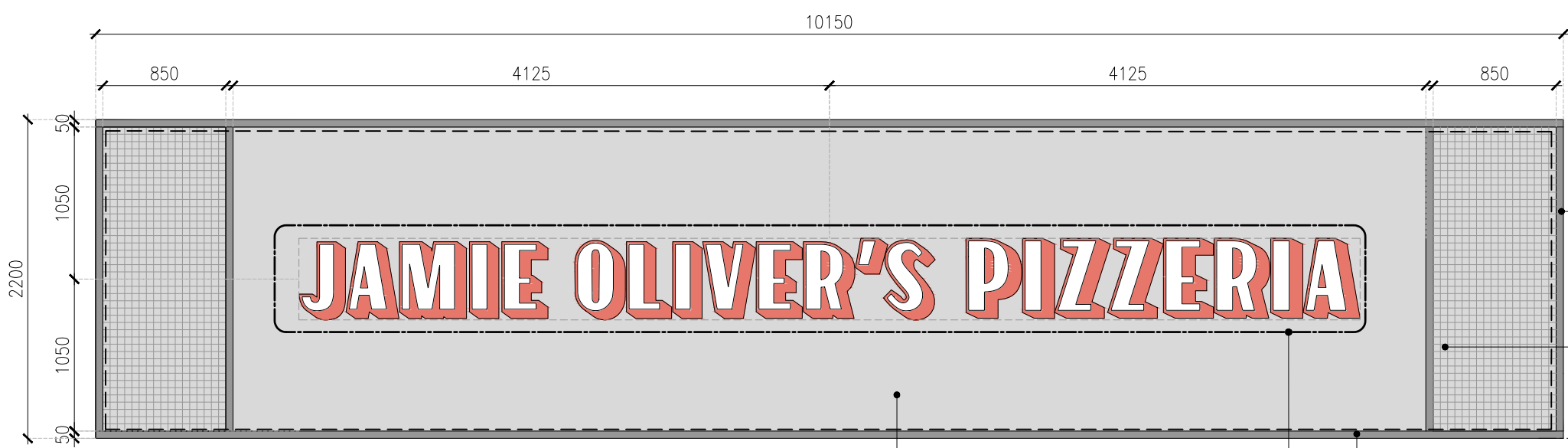
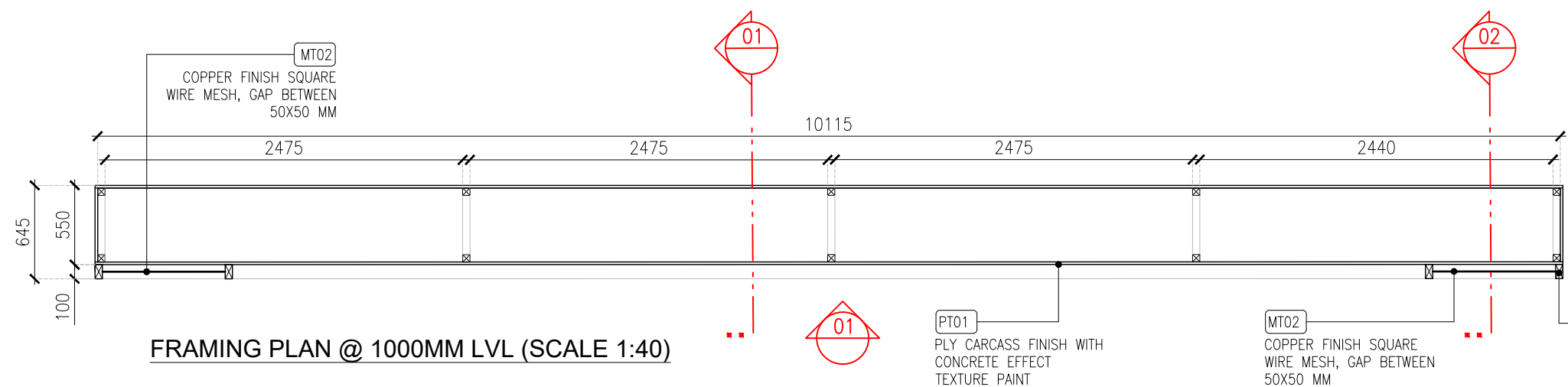
DRAWING TITLE
J08-PARTITION WALL-04 DETAIL

SCALE AS MENTIONED DATE 21.05.2024 DRAWN HOD A3 SHEET

STATUS
GOOD FOR CONSTRUCTION

ORG	PROJECT NO	DRAWING TYPE	NUMBER	REV
TFS	XXXX	04DE	407	C01

ALL DIMENSIONS MUST BE CHECKED ON SITE
INFORM THE ARCHITECT OF ANY DISCREPANCIES PRIOR TO CONSTRUCTION



C01	21.05.24	GOOD FOR CONSTRUCTION	HOD	NM
REV	DATE	DESCRIPTION	DRN	CHK



PROJECT
**JAMIE OLIVERS PIZZERIA
HYDERABAD AIRPORT**

DRAWING TITLE
J09-FAÇADE BULKHEAD DETAIL

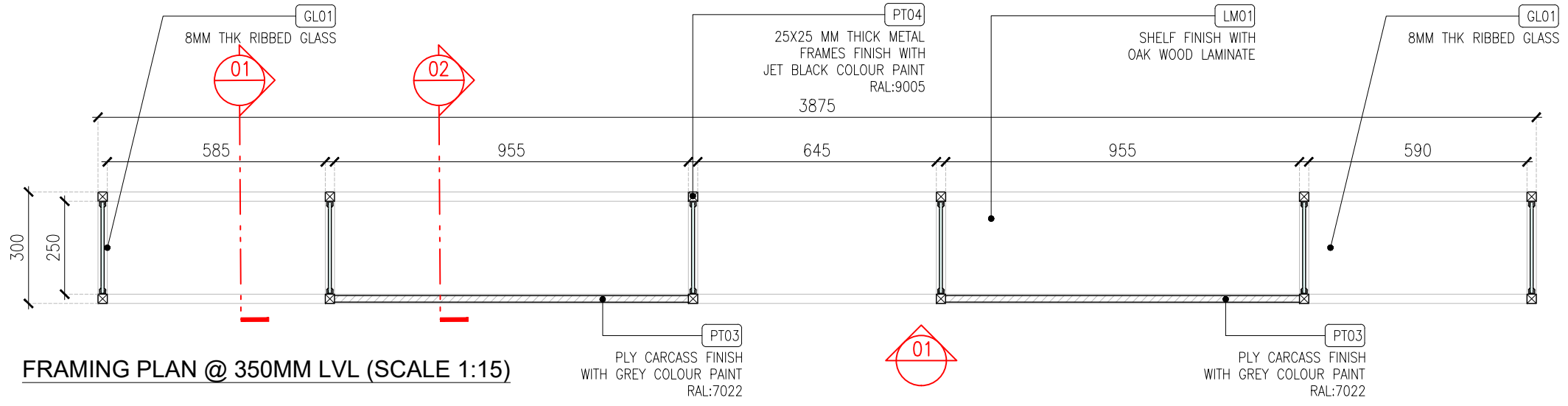
SCALE 1:30 DATE 21.05.2024 DRAWN HOD A3 SHEET

STATUS
GOOD FOR CONSTRUCTION

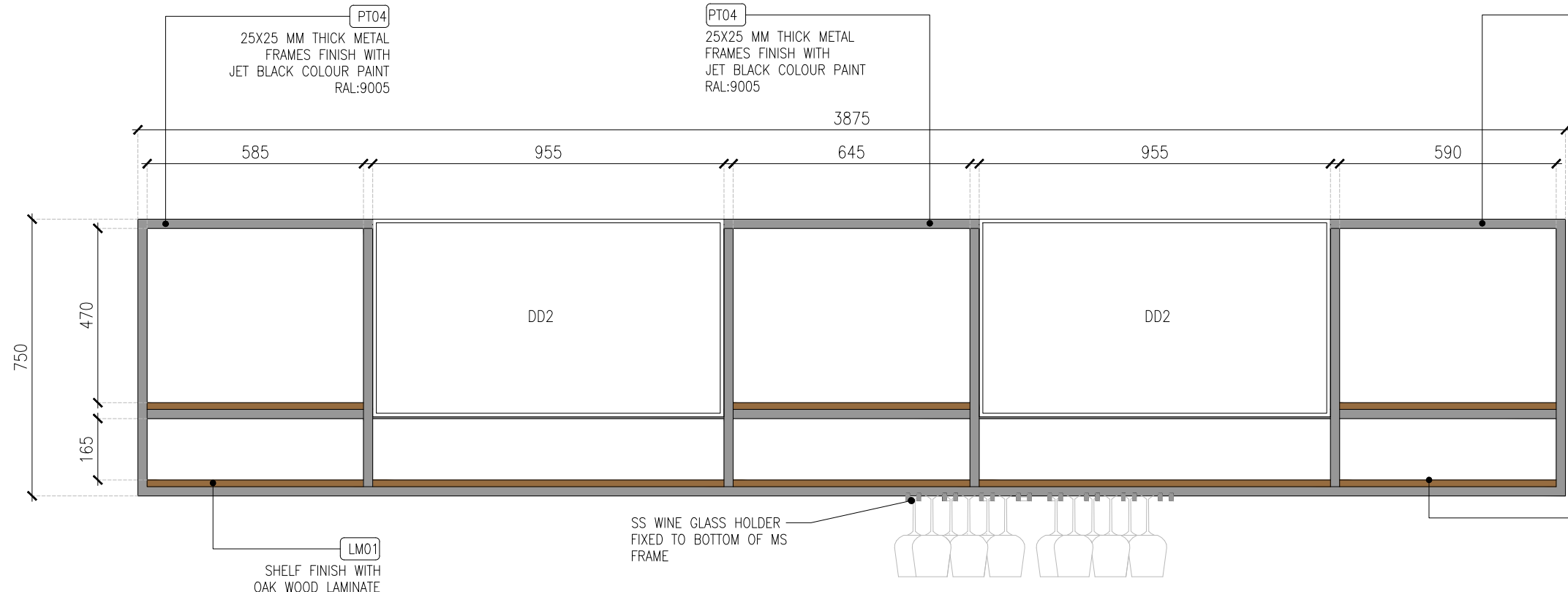
ORG	PROJECT NO	DRAWING TYPE	NUMBER	REV
TFS	XXXX	04DE	408	C01

01 J09-FAÇADE BULKHEAD DETAIL
04DE-408

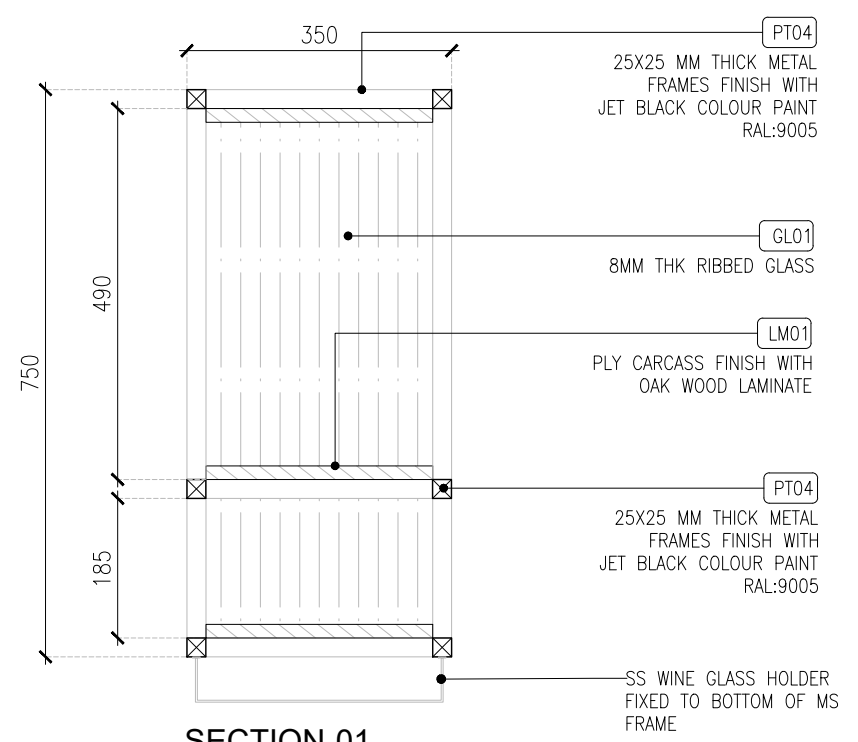
ALL DIMENSIONS MUST BE CHECKED ON SITE
INFORM THE ARCHITECT OF ANY DISCREPANCIES PRIOR TO CONSTRUCTION



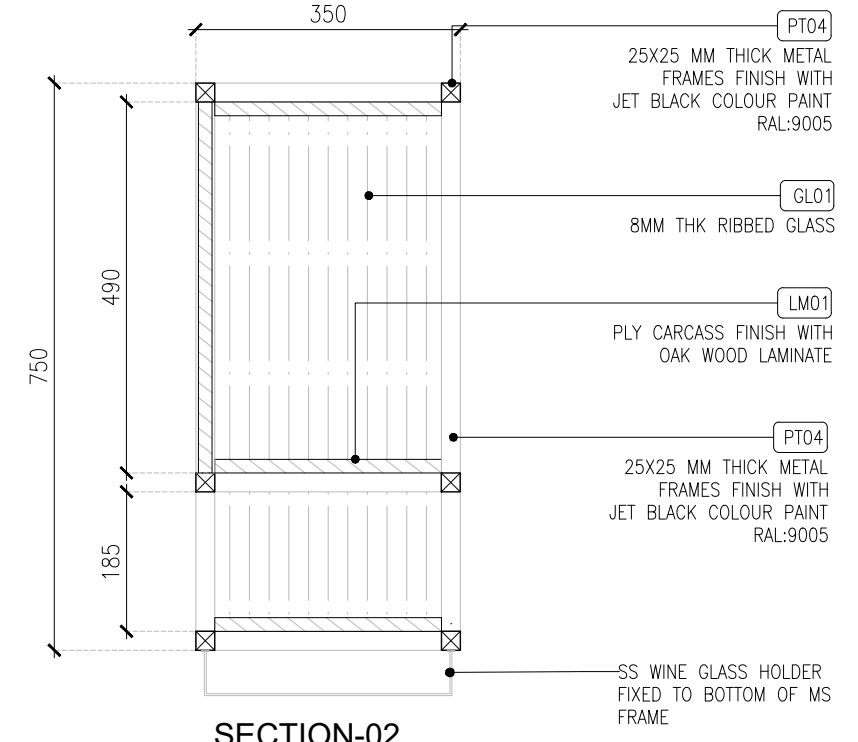
FRAMING PLAN @ 350MM LVL (SCALE 1:15)



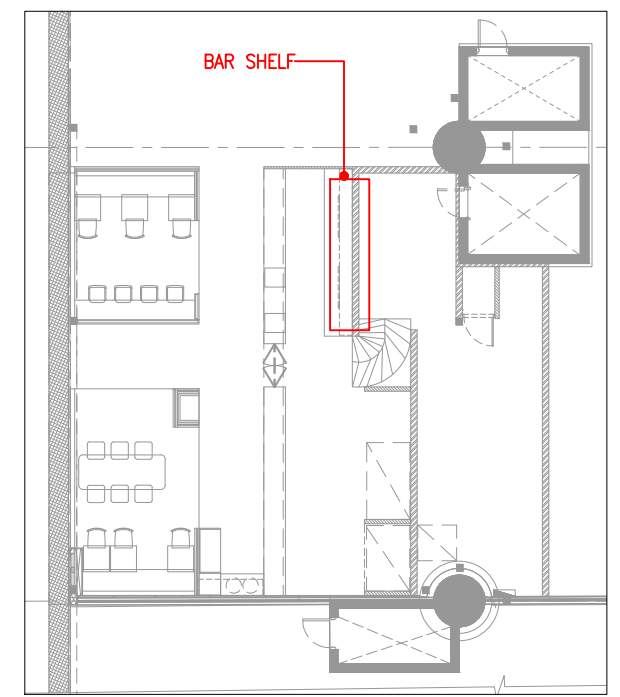
ELEVATION-01



SECTION-01



SECTION-02



KEY PLAN

C01	21.05.24	GOOD FOR CONSTRUCTION	HOD	NM
REV	DATE	DESCRIPTION	DRN	CHK



PROJECT
**JAMIE OLIVERS PIZZERIA
HYDERABAD AIRPORT**

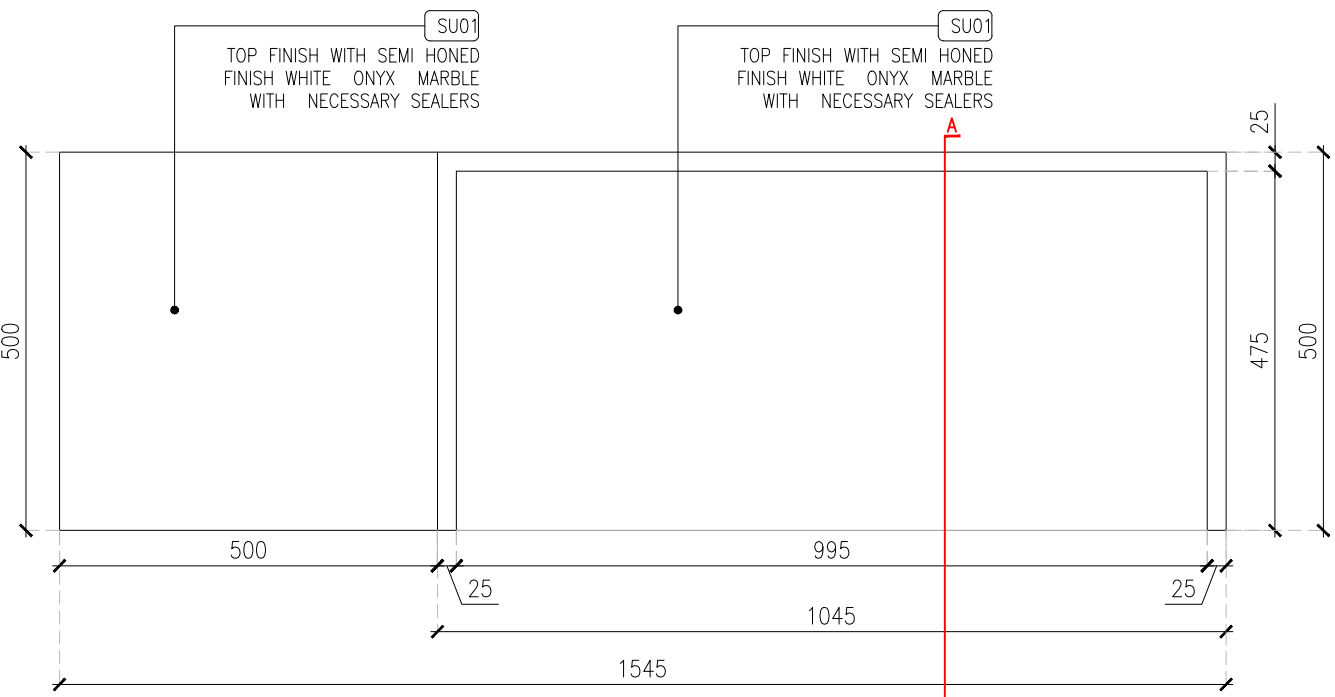
DRAWING TITLE
J10-BAR SHELF DETAIL

SCALE 1:15 DATE 21.05.2024 DRAWN HOD A3 SHEET

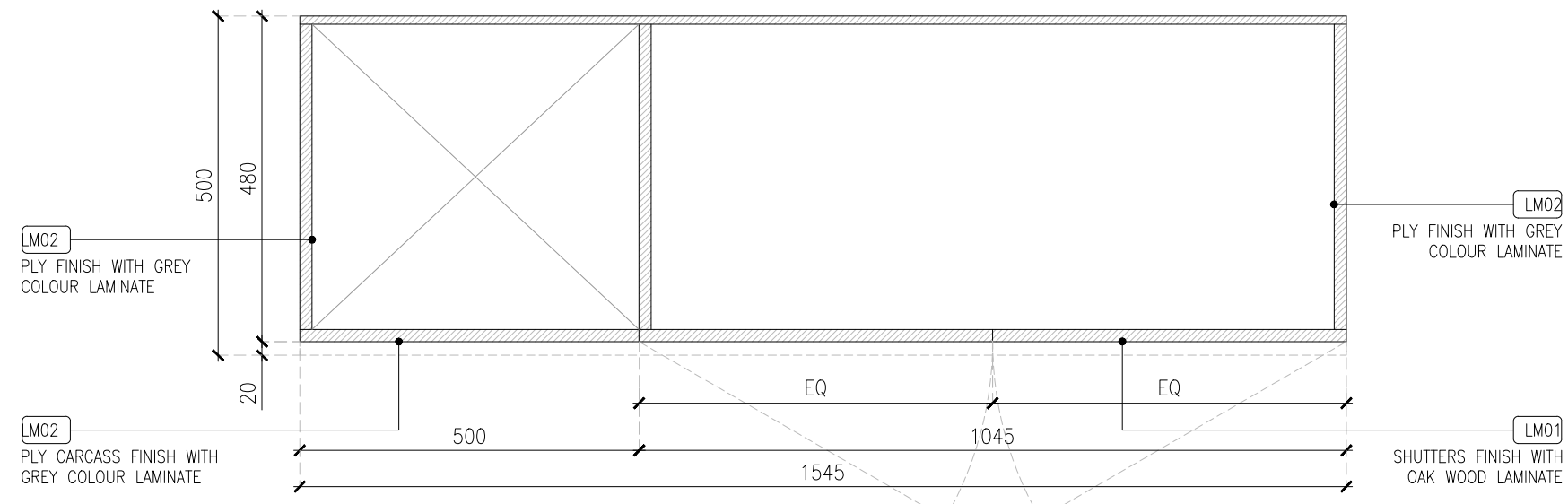
STATUS
GOOD FOR CONSTRUCTION

ORG PROJECT NO DRAWING TYPE NUMBER REV
TFS XXX 04DE 409A C01

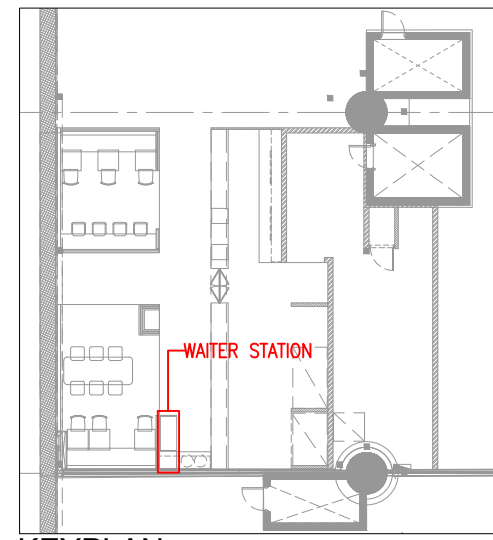
ALL DIMENSIONS MUST BE CHECKED ON SITE
INFORM THE ARCHITECT OF ANY DISCREPANCIES PRIOR TO CONSTRUCTION



PLAN (SCALE 1:10)

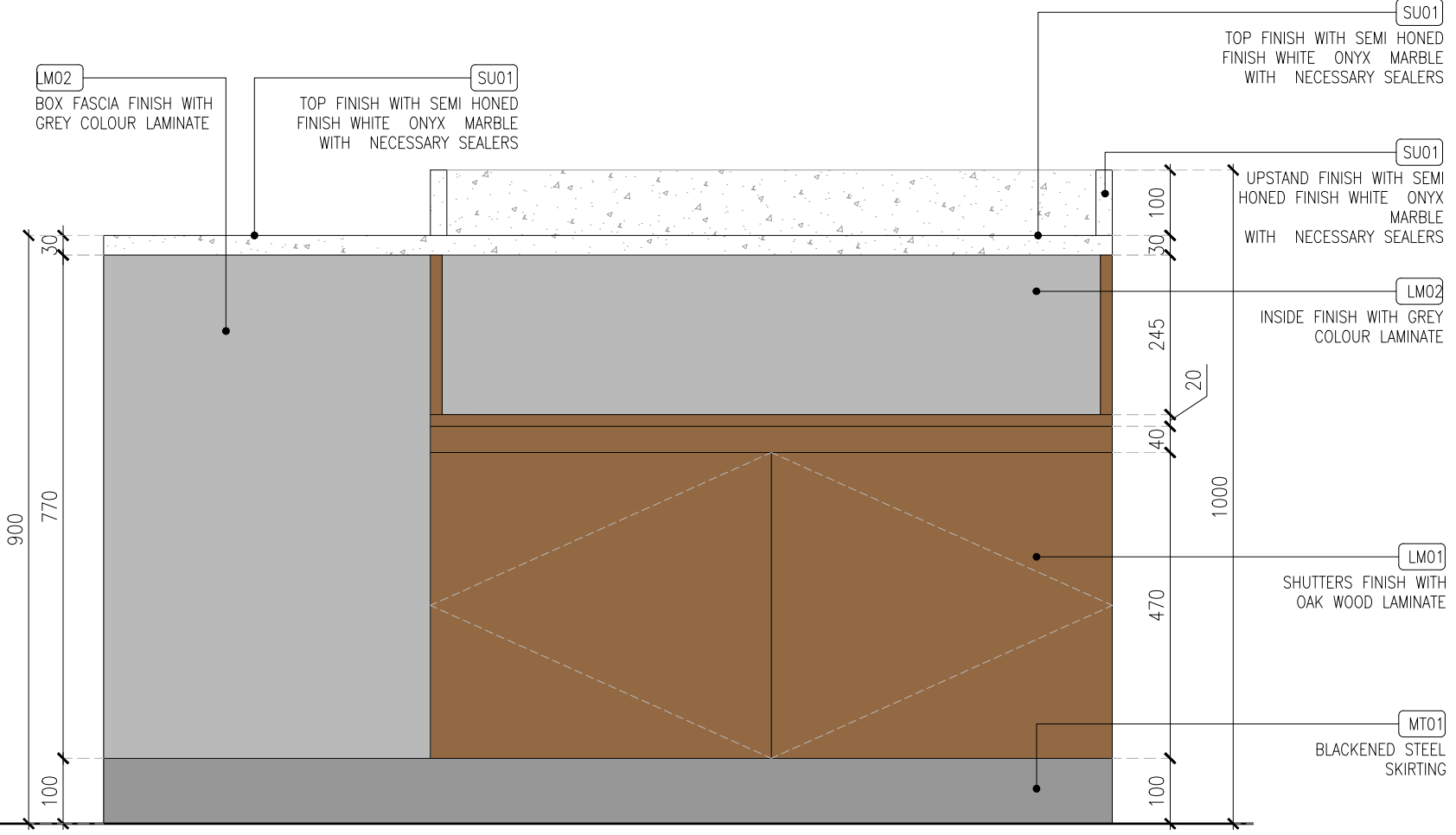


FRAMING PLAN @ 500MM LVL (SCALE 1:10)

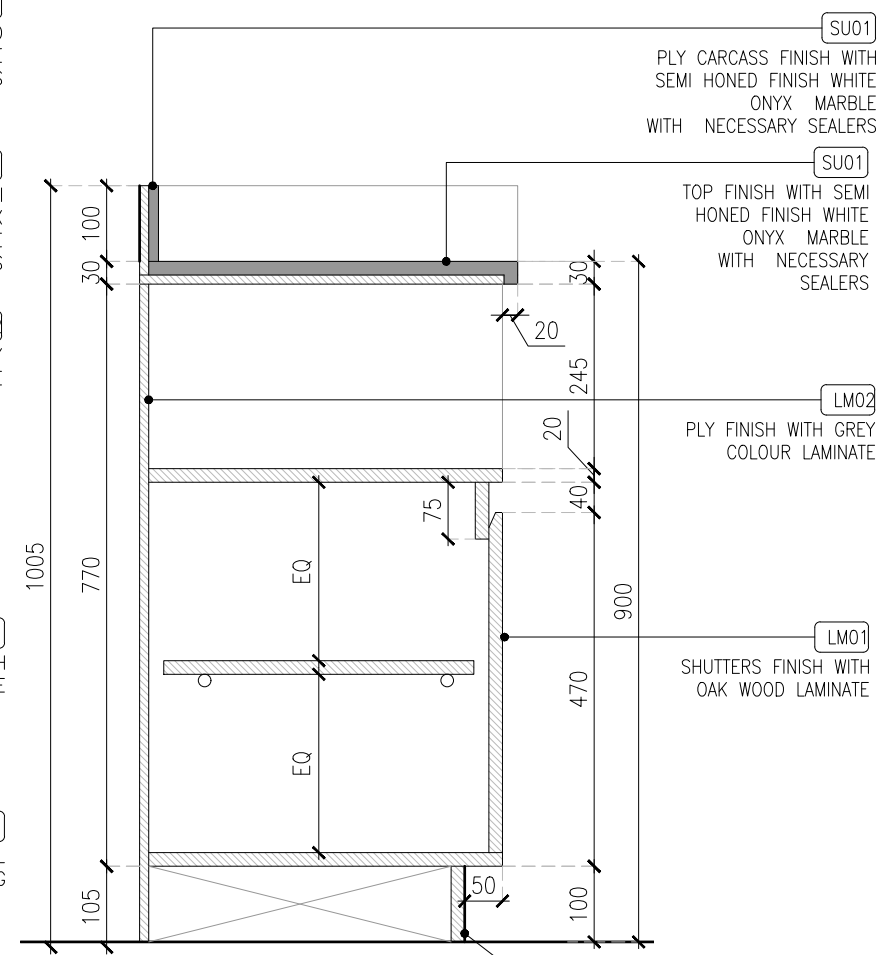


KEYPLAN

C01	21.05.24	GOOD FOR CONSTRUCTION	HOD	NM
REV	DATE	DESCRIPTION	DRN	CHK



ELEVATION-01 (SCALE 1:10)



SECTION-A (SCALE 1:10)



PROJECT
**JAMIE OLIVERS PIZZERIA
HYDERABAD AIRPORT**

DRAWING TITLE
J11-WAITER STATION DETAIL

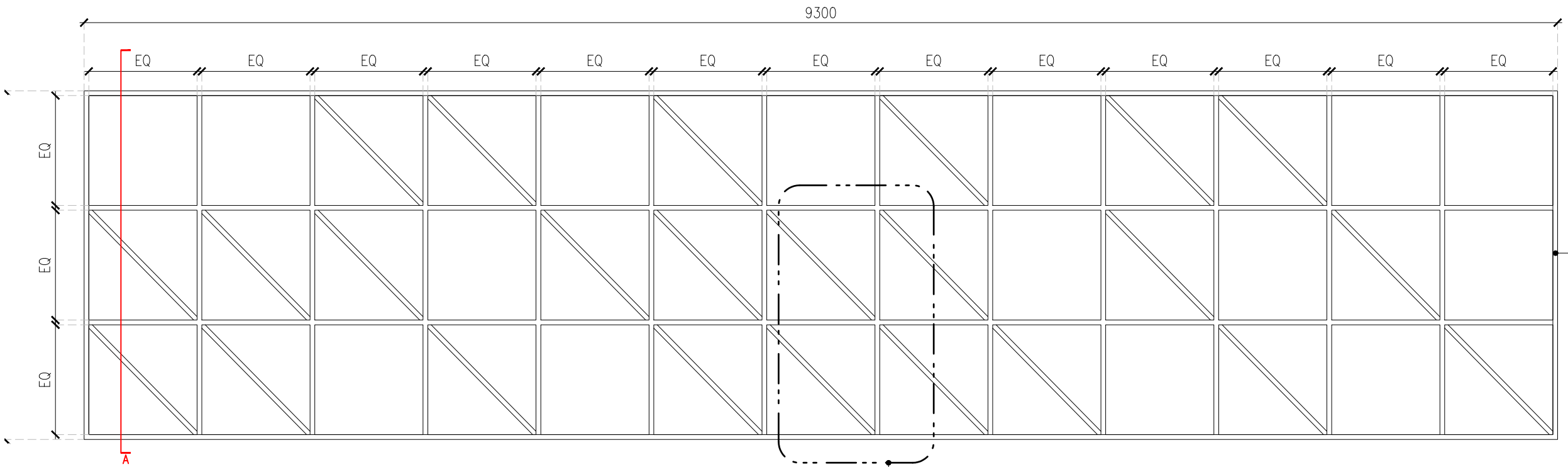
SCALE 1:10 DATE 21.05.2024 DRAWN HOD A3 SHEET

STATUS
GOOD FOR CONSTRUCTION

ORG	PROJECT NO	DRAWING TYPE	NUMBER	REV
TFS	XXXX	04DE	410	C01

01 J11-WAITER STATION DETAIL
04DE-410

ALL DIMENSIONS MUST BE CHECKED ON SITE
INFORM THE ARCHITECT OF ANY DISCREPANCIES PRIOR TO CONSTRUCTION



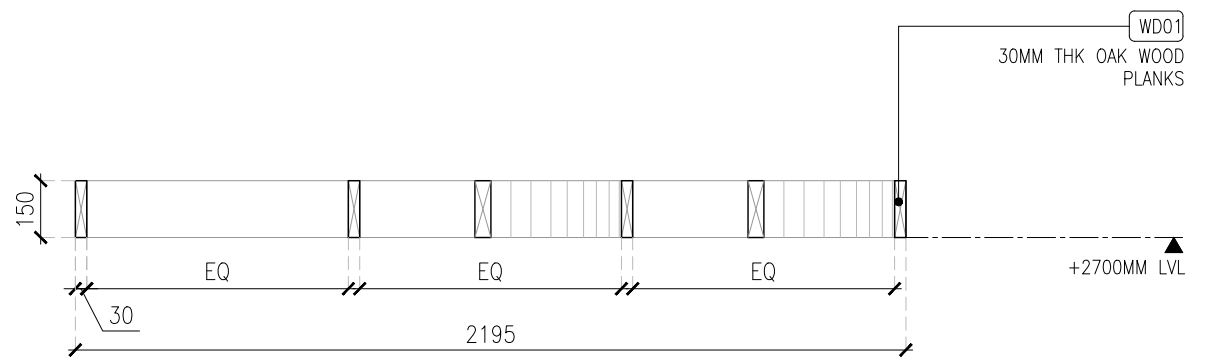
TOP PLAN (SCALE 1:30)

WD01
30MM THK OAK WOOD PLANKS

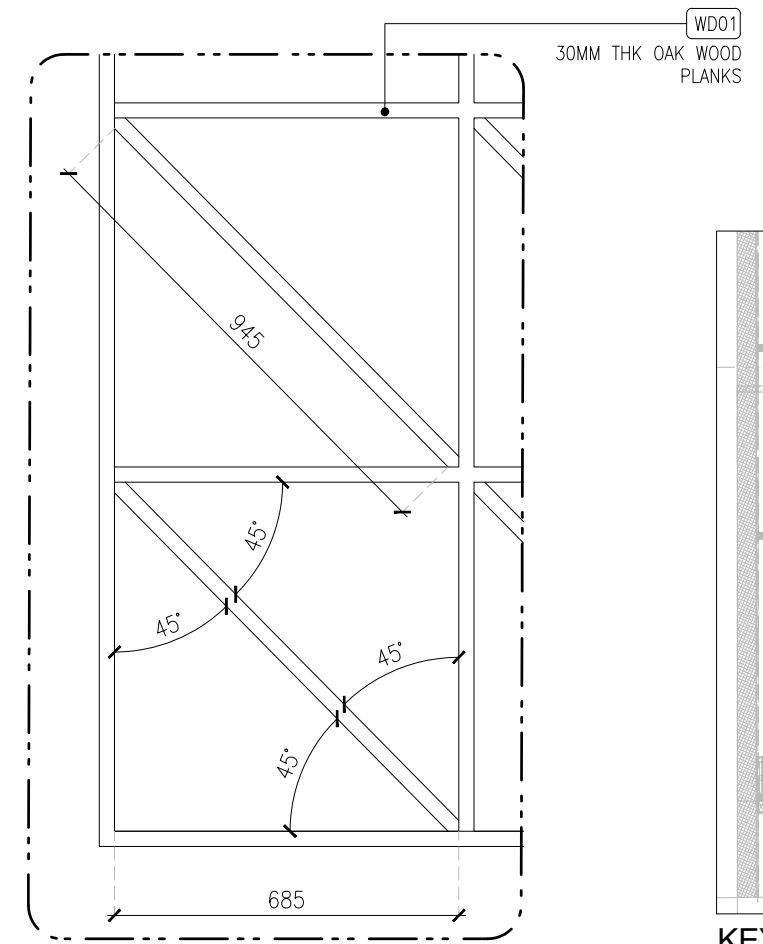
WD01
30MM THK OAK WOOD PLANKS



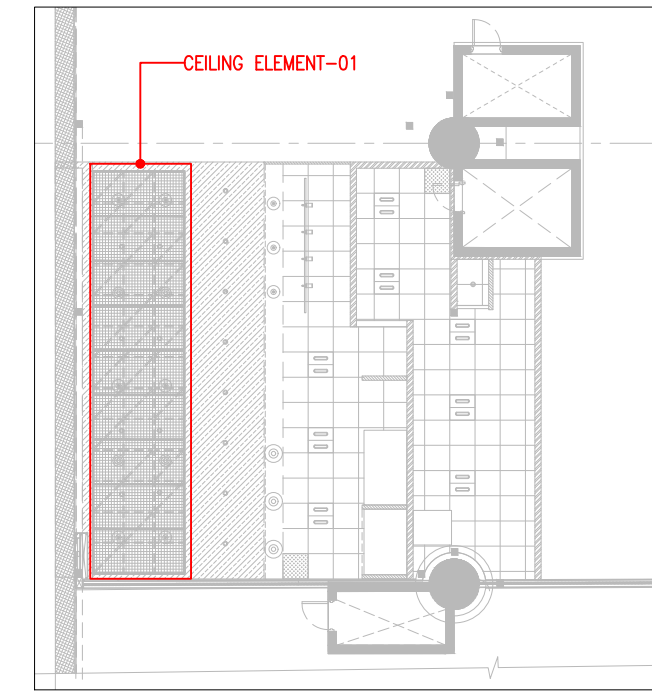
ELEVATION-01 (SCALE 1:30)



SECTION-A (SCALE 1:20)



DETAIL-A (SCALE 1:15)



KEYPLAN

C01	21.05.24	GOOD FOR CONSTRUCTION	HOD	NM
REV	DATE	DESCRIPTION	DRN	CHK



PROJECT
JAMIE OLIVERS PIZZERIA
HYDERABAD AIRPORT

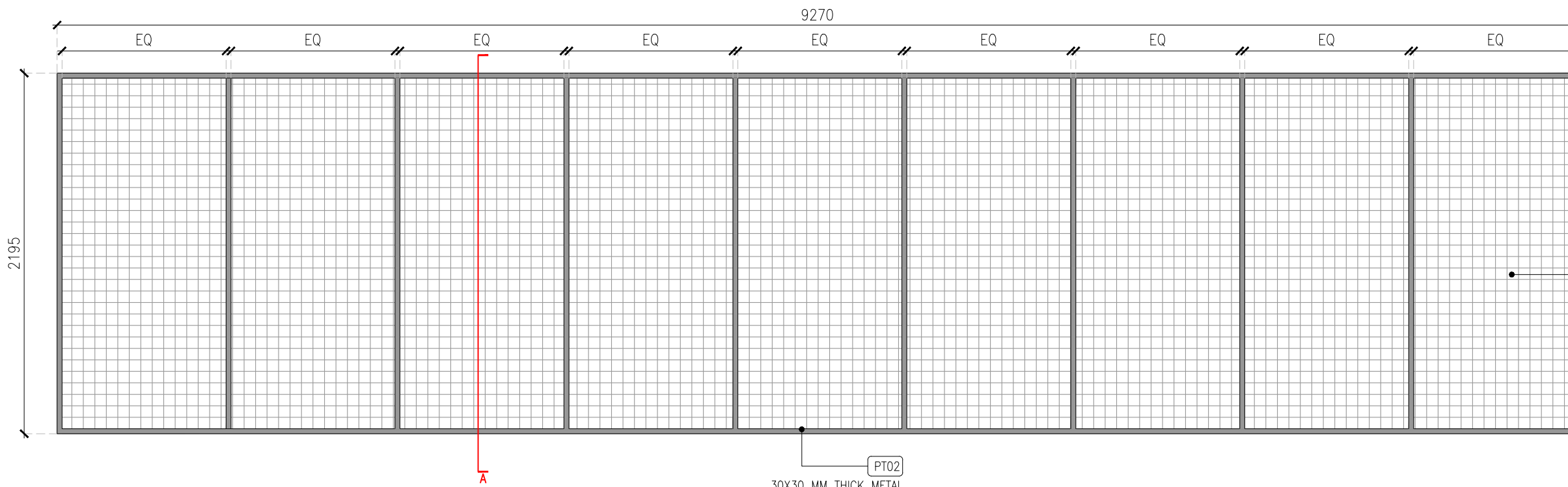
DRAWING TITLE
J12-CEILING ELEMENT-01 DETAIL

01 J12-CEILING ELEMENT-01 DETAIL
04DE-411

SCALE AS MENTIONED DATE 21.05.2024 DRAWN HOD A3 SHEET

STATUS
GOOD FOR CONSTRUCTION

ORG	PROJECT NO	DRAWING TYPE	NUMBER	REV
TFS	XXXX	04DE	411	C01



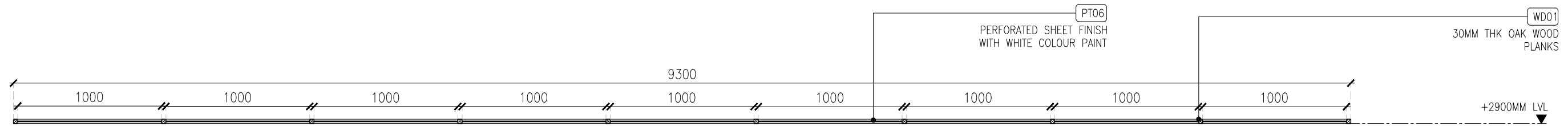
TOP PLAN (SCALE 1:30)

ALL DIMENSIONS MUST BE CHECKED ON SITE
INFORM THE ARCHITECT OF ANY DISCREPANCIES PRIOR TO CONSTRUCTION

PT02
30X30 MM THICK METAL
FRAMES FINISH WITH
GREY COLOUR PAINT
RAL:7022

PT06
PERFORATED SHEET FINISH
WITH WHITE COLOUR PAINT

PT02
30X30 MM THICK METAL
FRAMES FINISH WITH
GREY COLOUR PAINT
RAL:7022

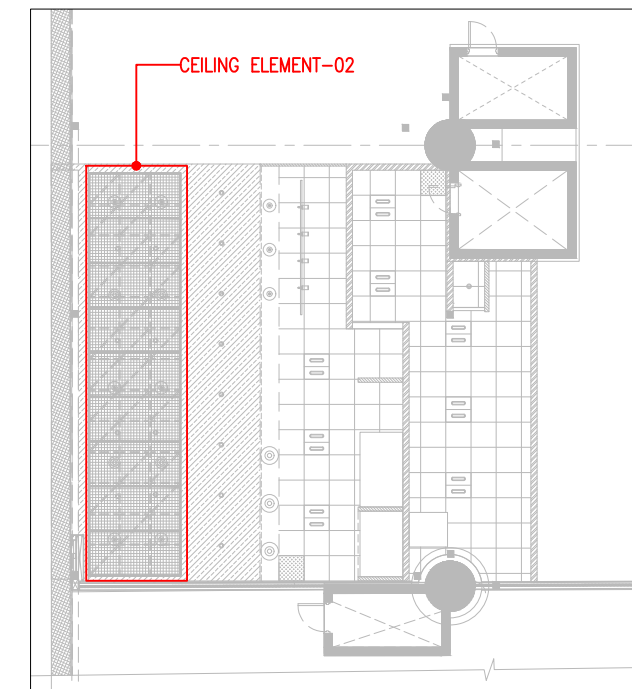


SECTION-A (SCALE 1:30)

PT06
PERFORATED SHEET FINISH
WITH WHITE COLOUR PAINT

WD01
30MM THK OAK WOOD
PLANKS

+2900MM LVL



KEYPLAN

C01	21.05.24	GOOD FOR CONSTRUCTION	HOD	NM
REV	DATE	DESCRIPTION	DRN	CHK



PROJECT
JAMIE OLIVERS PIZZERIA
HYDERABAD AIRPORT

DRAWING TITLE
J20-CEILING ELEMENT DETAIL

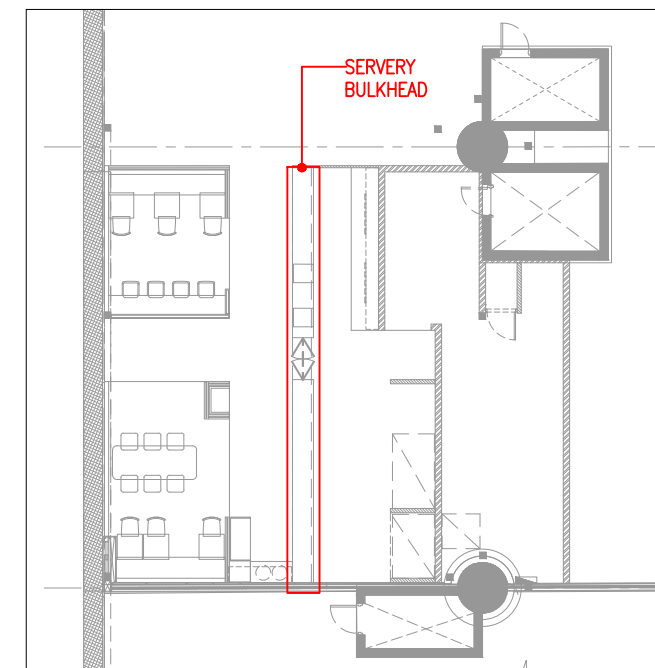
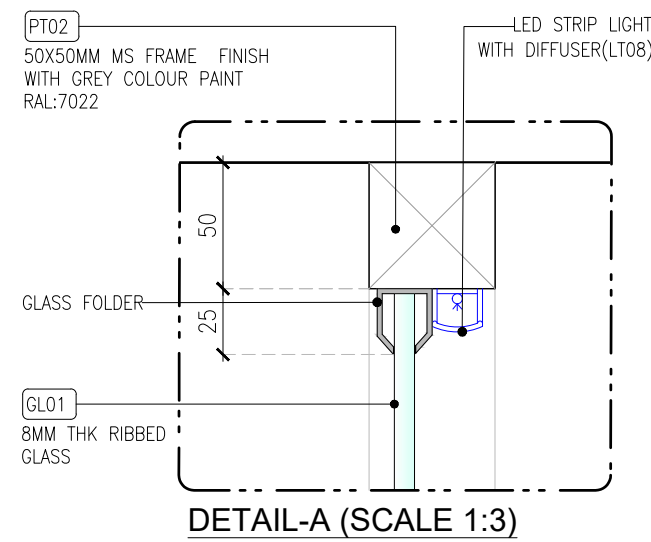
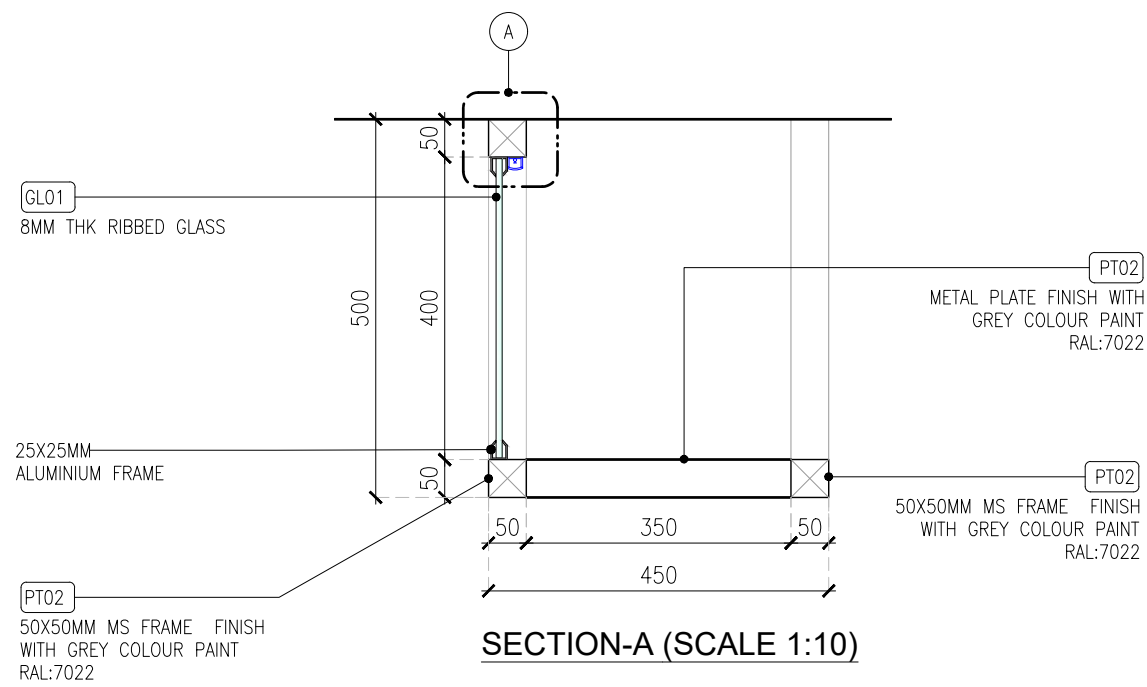
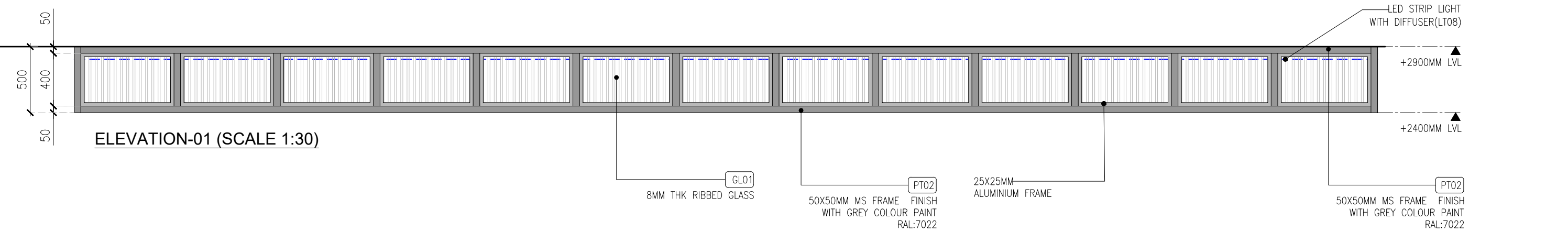
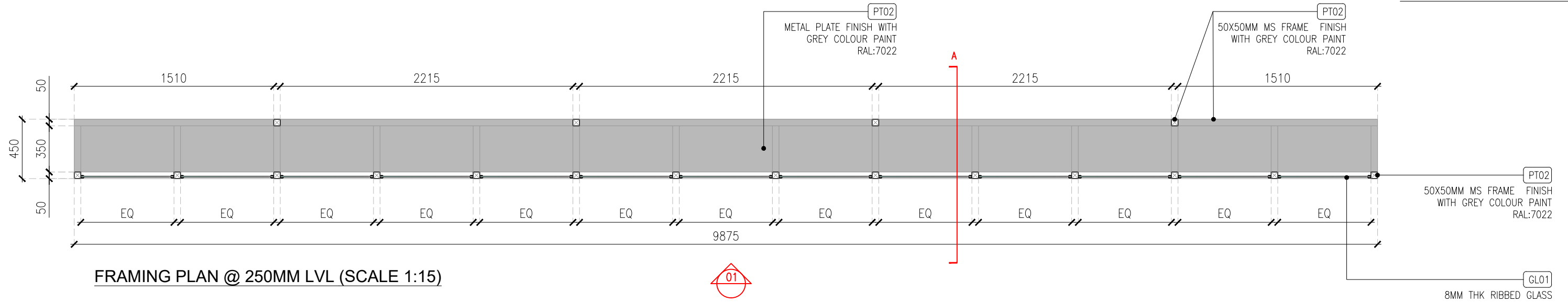
01 J20-CEILING ELEMENT-02 DETAIL

04DE-411

SCALE AS MENTIONED DATE 21.05.2024 DRAWN HOD A3 SHEET

STATUS
GOOD FOR CONSTRUCTION

ORG	PROJECT NO	DRAWING TYPE	NUMBER	REV
TFS	XXXX	04DE	411	C01



C01	21.05.24	GOOD FOR CONSTRUCTION	HOD	NM
REV	DATE	DESCRIPTION	DRN	CHK



PROJECT
**JAMIE OLIVERS PIZZERIA
HYDERABAD AIRPORT**

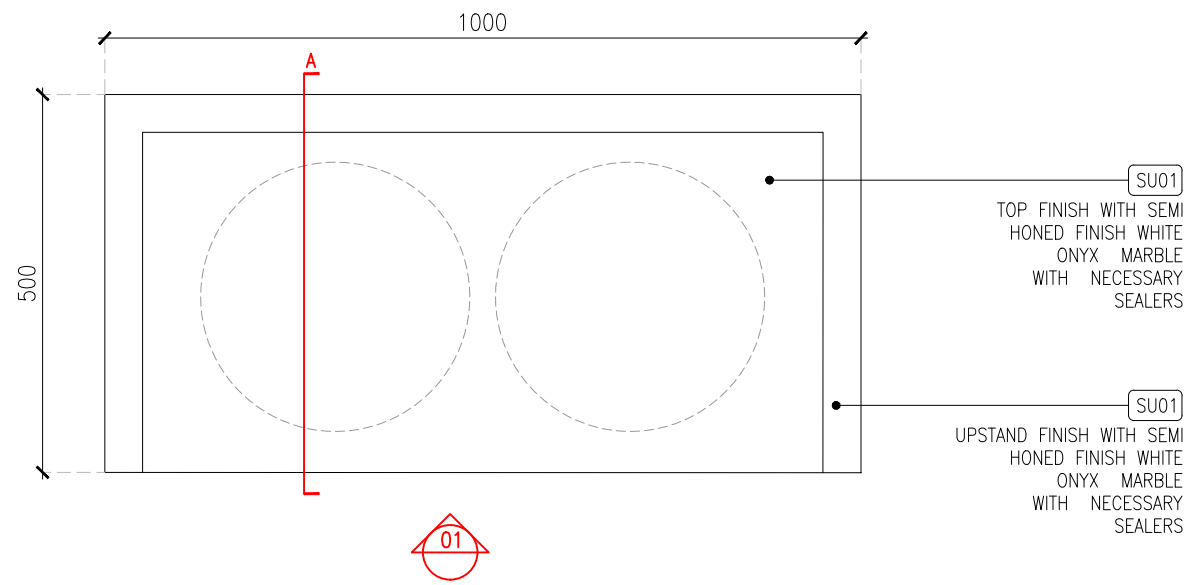
DRAWING TITLE
J13-SERVERY BULKHEAD DETAIL

SCALE AS MENTIONED DATE 21.05.2024 DRAWN HOD A3 SHEET

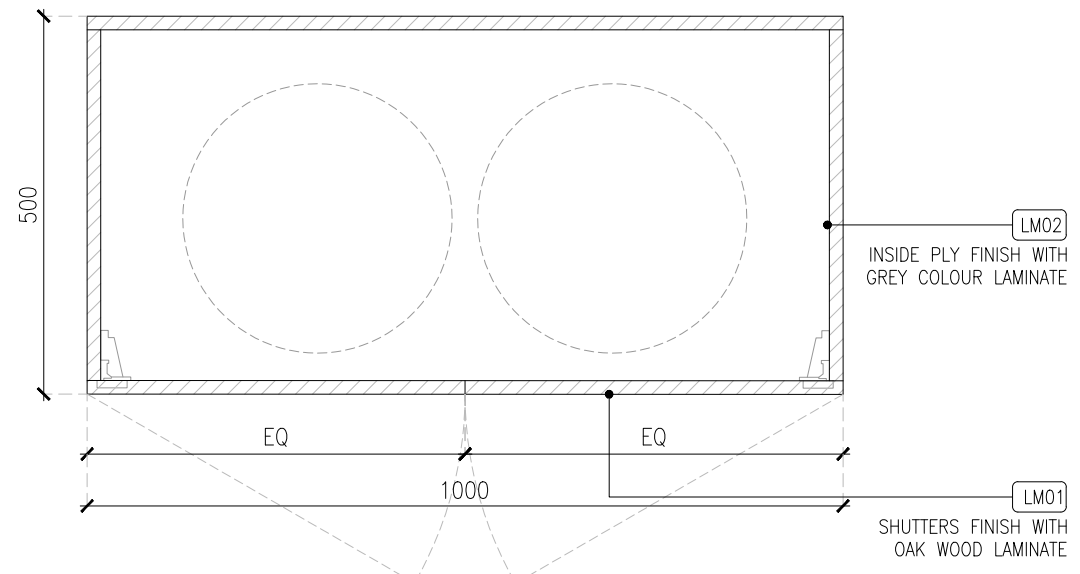
STATUS
GOOD FOR CONSTRUCTION

ORG	PROJECT NO	DRAWING TYPE	NUMBER	REV
TFS	XXXX	04DE	412	C01

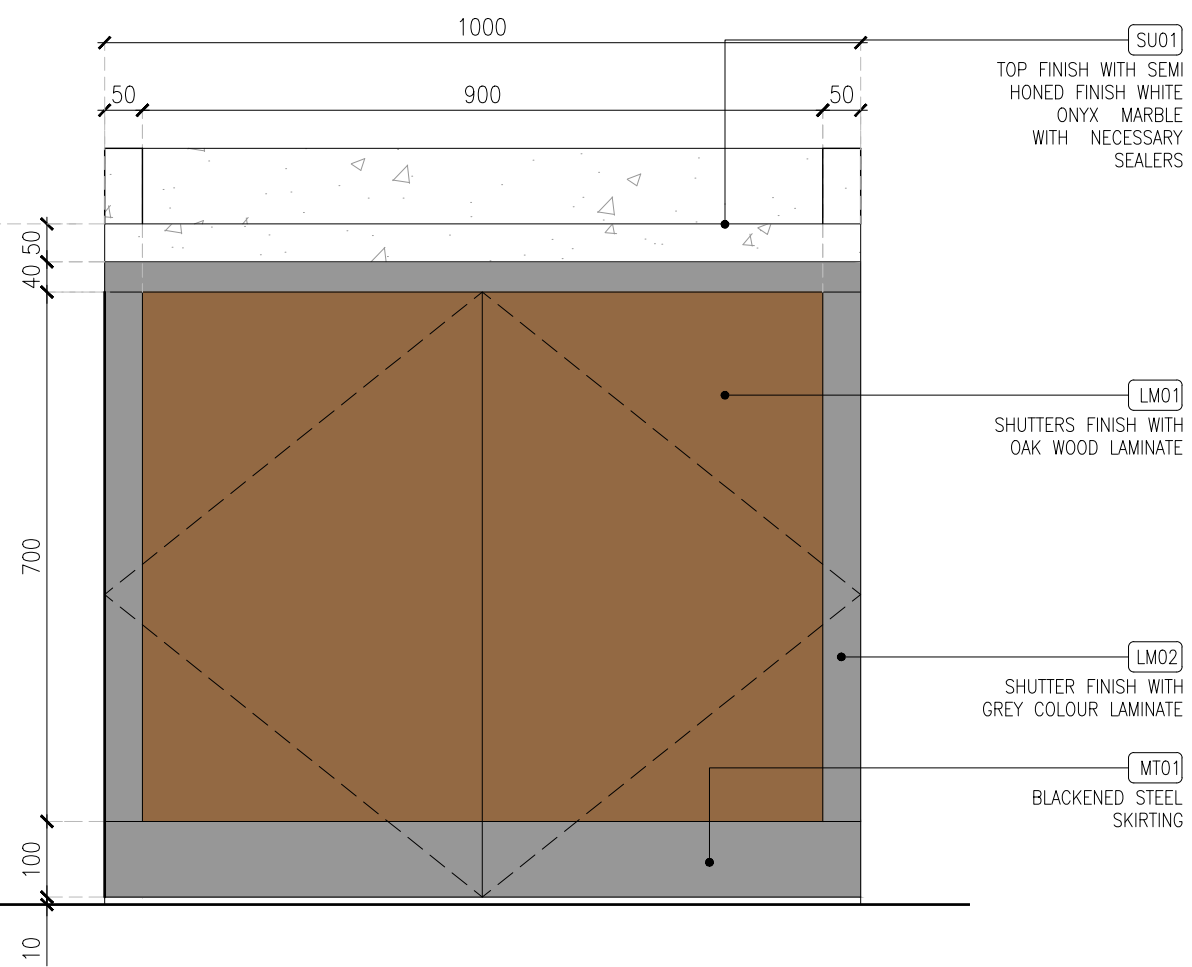
01 J13-SERVERY BULKHEAD DETAIL
04DE-412



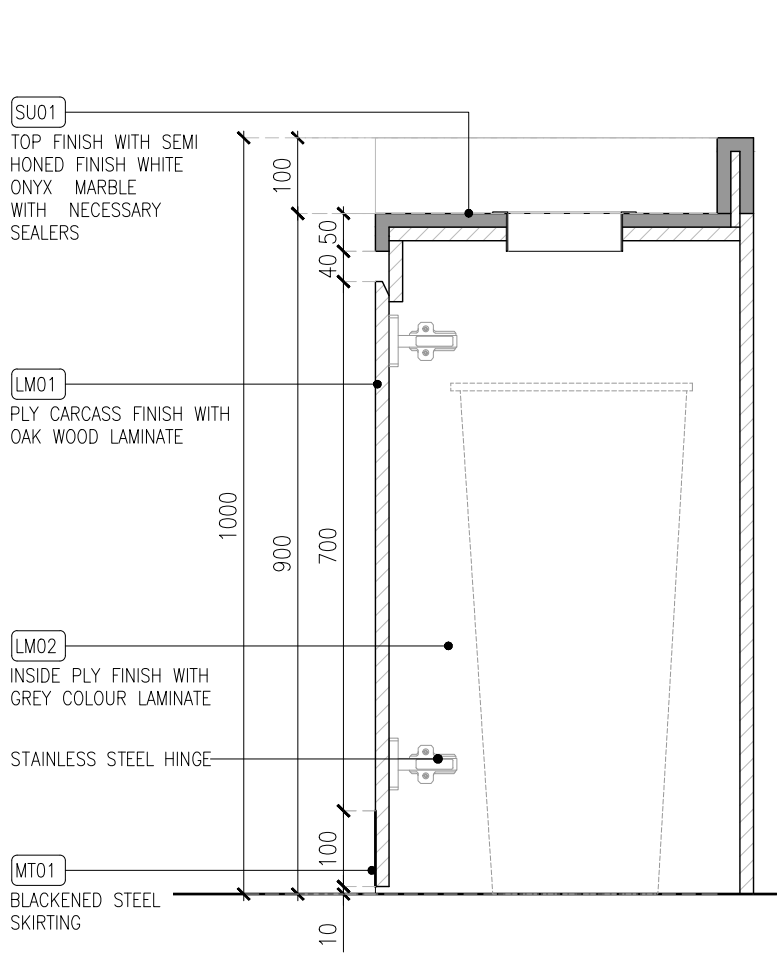
TOP PLAN



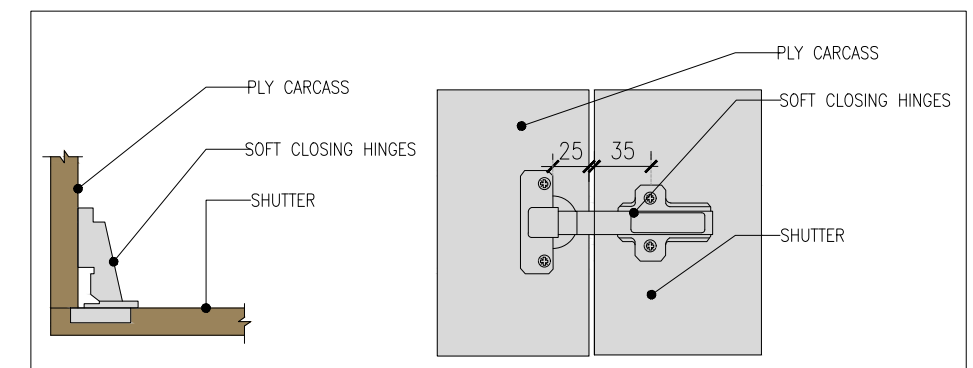
FRAMING PLAN @ 500MM LVL



ELEVATION-01



SECTION-A



REF IMG: STAINLESS STEEL HINGE FIXING DETAIL

C01	21.05.24	GOOD FOR CONSTRUCTION	HOD	NM
REV	DATE	DESCRIPTION	DRN	CHK



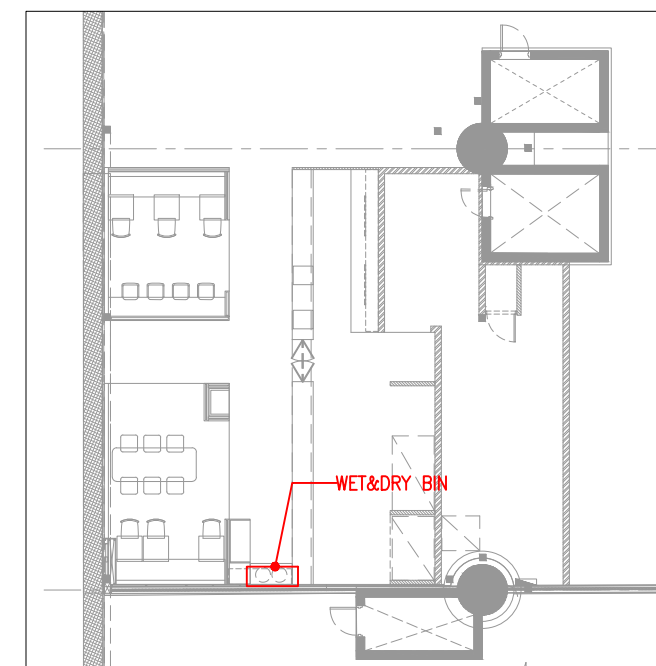
PROJECT
JAMIE OLIVERS PIZZERIA
HYDERABAD AIRPORT

DRAWING TITLE
J14-WET&DRY BIN DETAIL

SCALE 1:10 DATE 21.05.2024 DRAWN HOD A3 SHEET

STATUS
GOOD FOR CONSTRUCTION

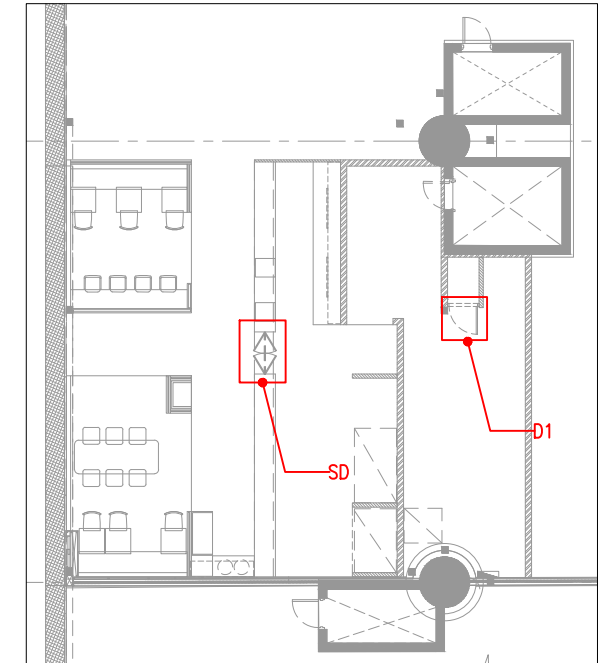
ORG PROJECT NO DRAWING TYPE NUMBER REV
TFS XXXX 04DE 413 C01



KEYPLAN

01 J14-WET&DRY BIN DETAIL
04DE-413 1:10

DOOR SCHEDULE						
CODE	TYPE	SIZE(MM)	SWING	LOCK	FIRE RATING	NOS.
D1	WOODEN FLUSH CORE DOOR (WITHOUT VISION PANEL)	750x2100	OUTSIDE	NO	1 HOUR	1
SD	SWING DOOR(DOUBLE SWING)	940x900	BOTH	NO	1 HOUR	1



KEYPLAN

C01	21.05.24	GOOD FOR CONSTRUCTION	HOD	NM
REV	DATE	DESCRIPTION	DRN	CHK

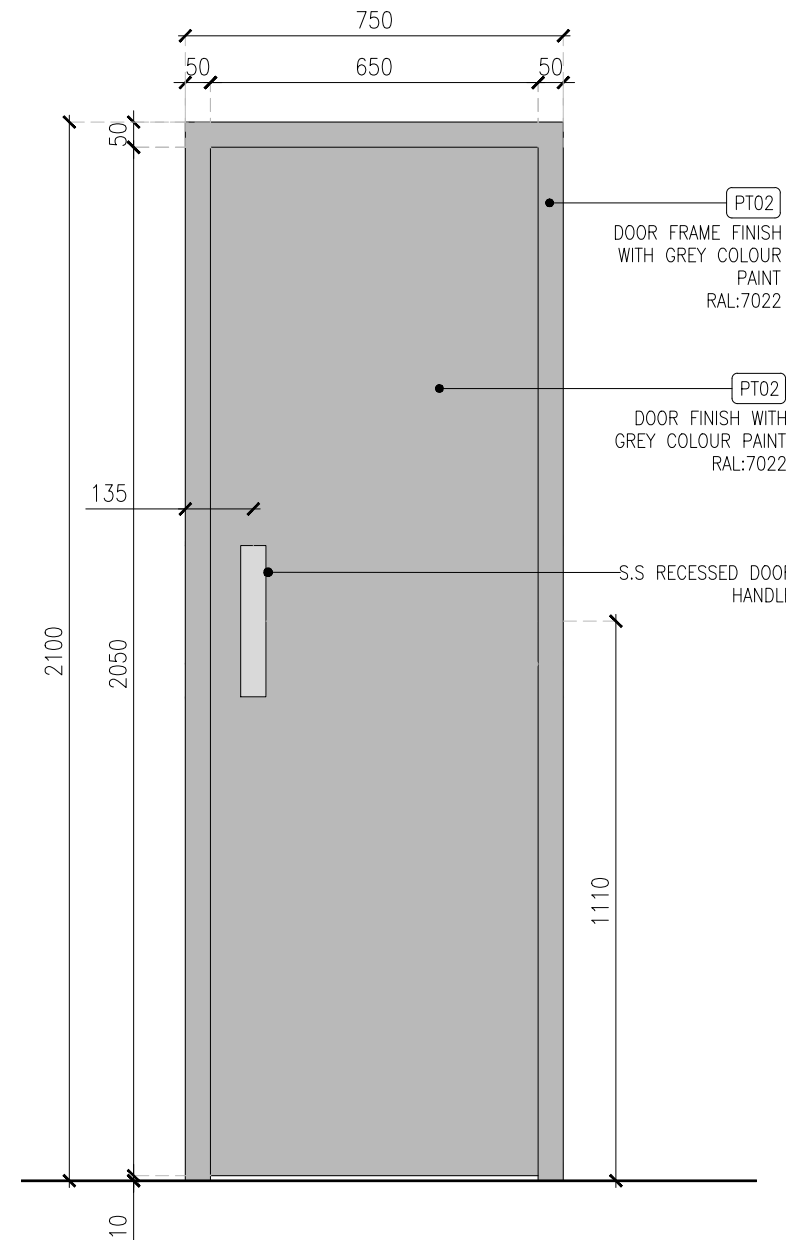


PROJECT
**JAMIE OLIVERS PIZZERIA
HYDERABAD AIRPORT**

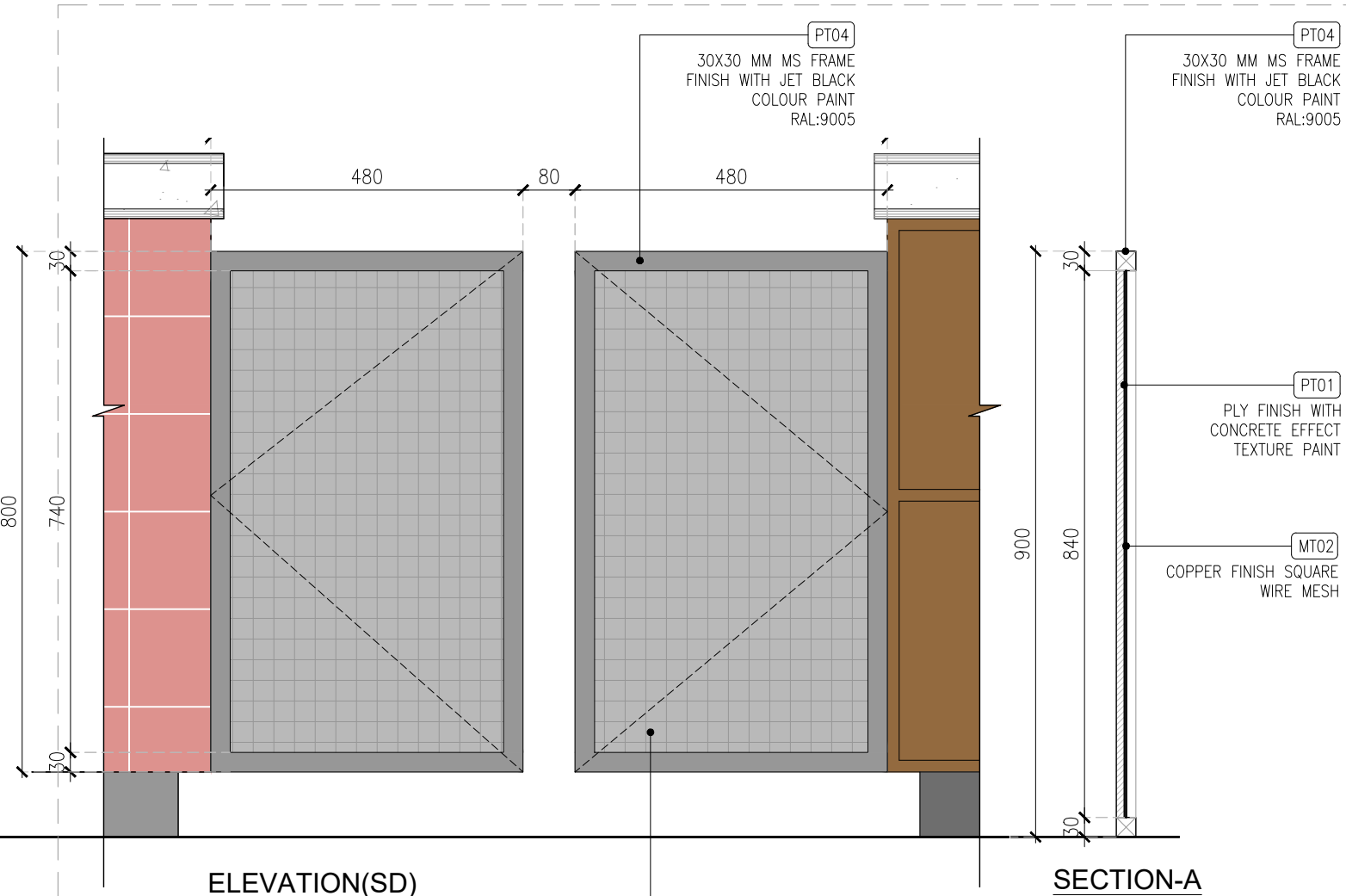
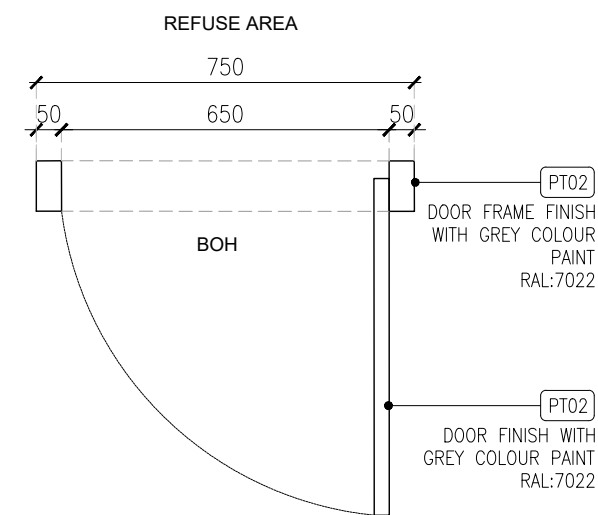
DRAWING TITLE
**J15-SWING DOOR(SD) &
J16-DOOR(D1) DETAIL**

SCALE AS MENTIONED DATE 21.05.2024 DRAWN HOD A3 SHEET

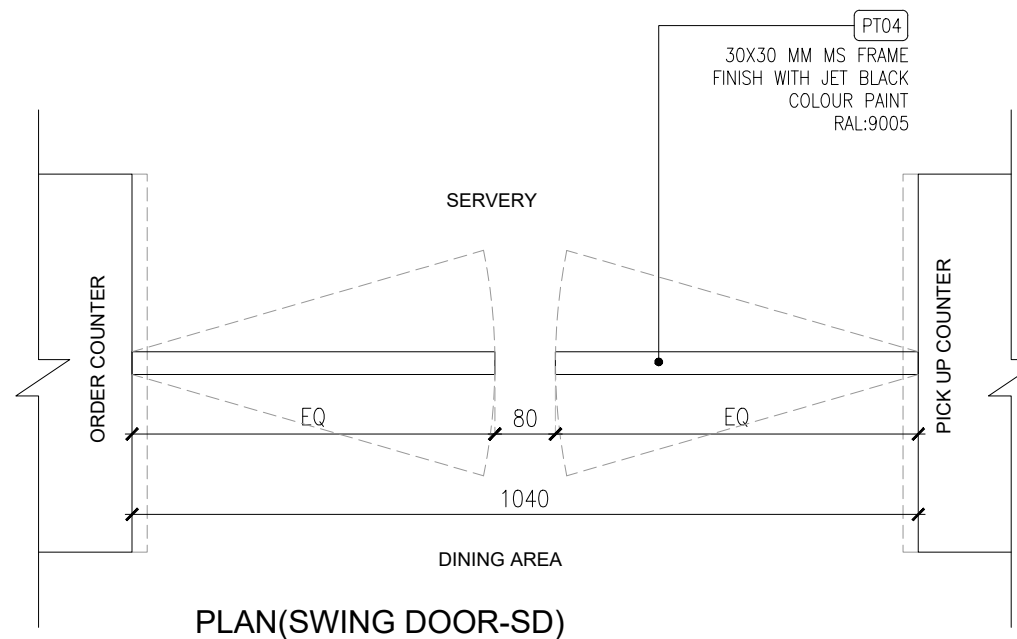
STATUS	GOOD FOR CONSTRUCTION			
ORG	PROJECT NO	DRAWING TYPE	NUMBER	REV
TFS	XXXX	04DE	414	C01



02 J16-DOOR(D1) DETAIL



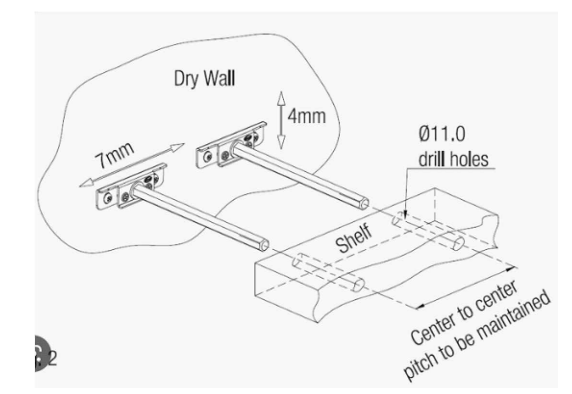
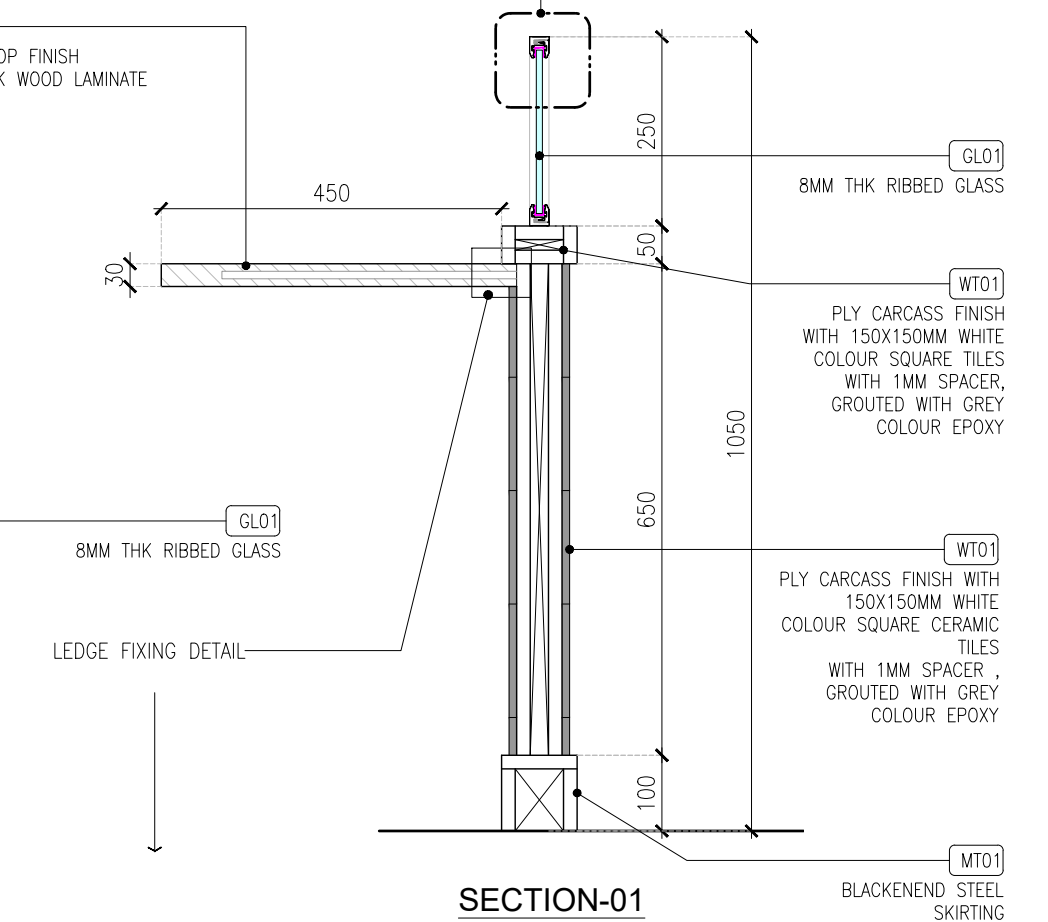
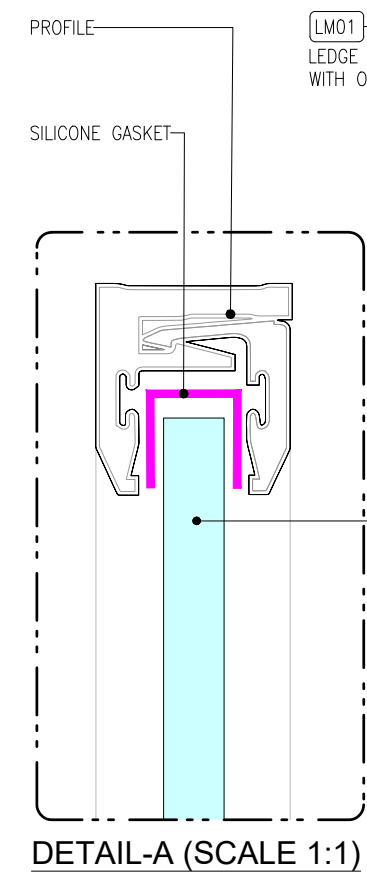
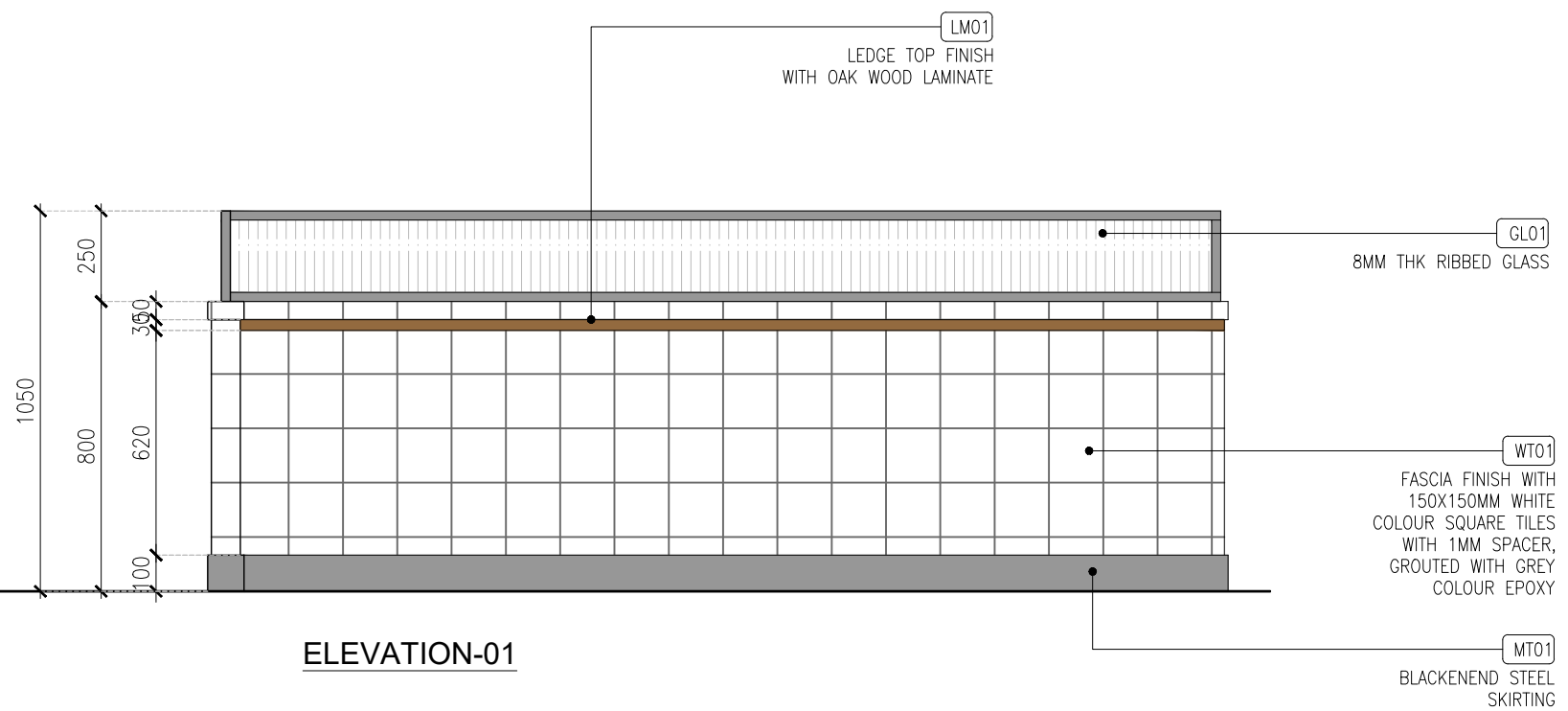
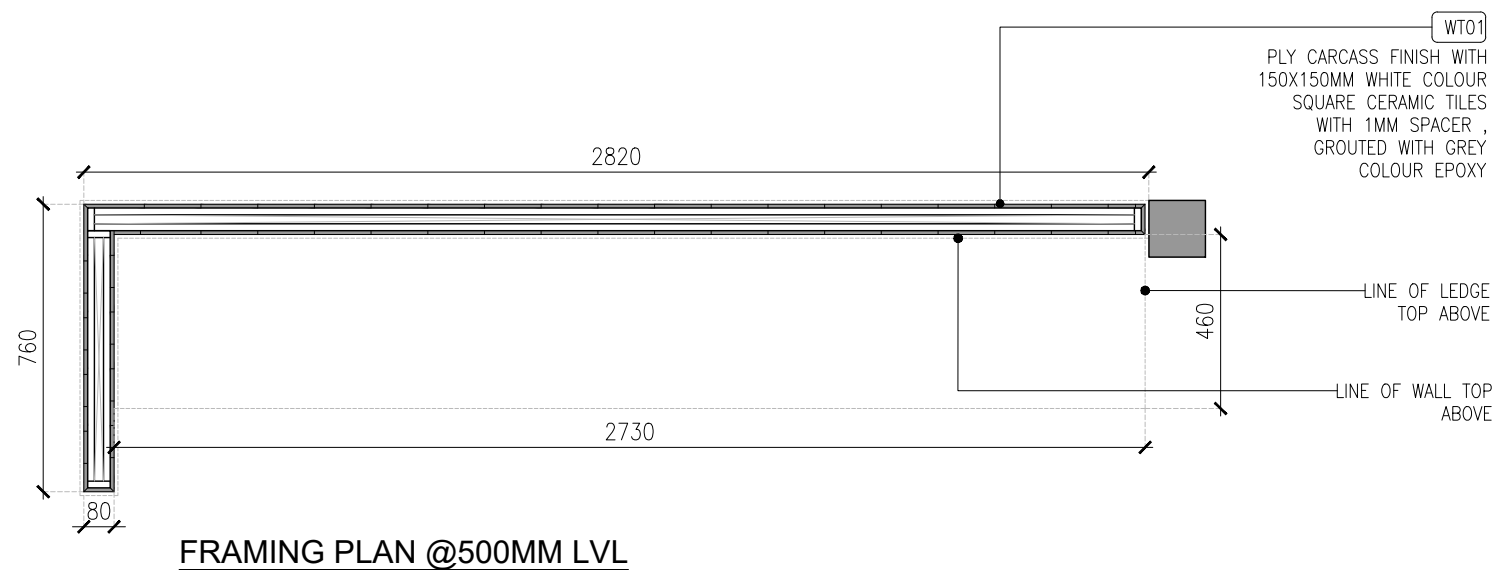
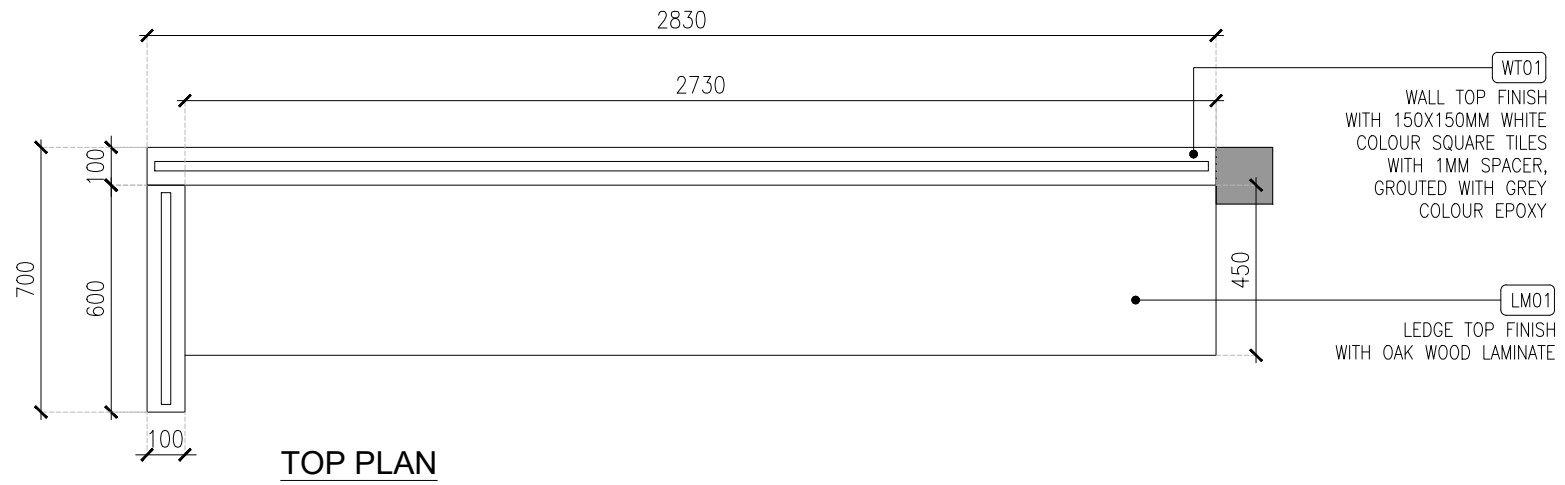
MT02
COPPER FINISH SQUARE WIRE MESH



01 J15-SWING DOOR(SD) DETAIL

04DE-414 1:15

ALL DIMENSIONS MUST BE CHECKED ON SITE
INFORM THE ARCHITECT OF ANY DISCREPANCIES PRIOR TO CONSTRUCTION



C01	21.05.24	GOOD FOR CONSTRUCTION	HOD	NM
REV	DATE	DESCRIPTION	DRN	CHK



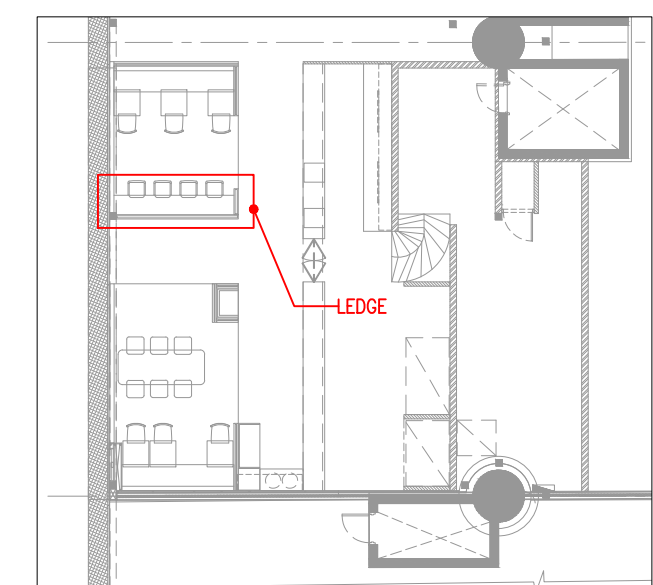
PROJECT
**JAMIE OLIVERS PIZZERIA
HYDERABAD AIRPORT**

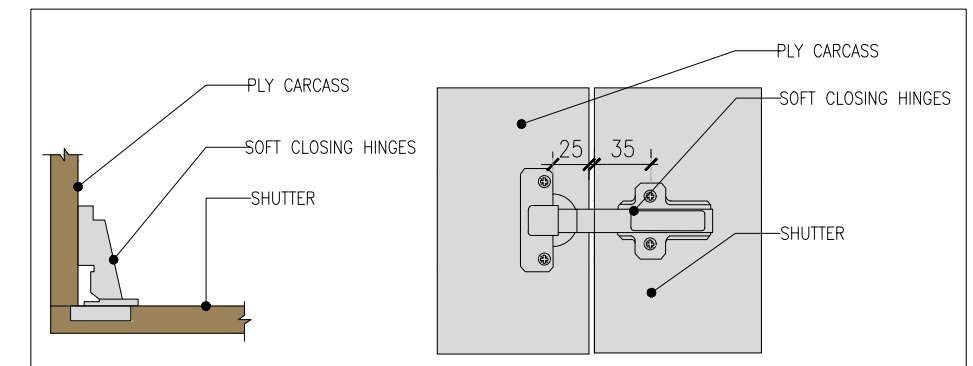
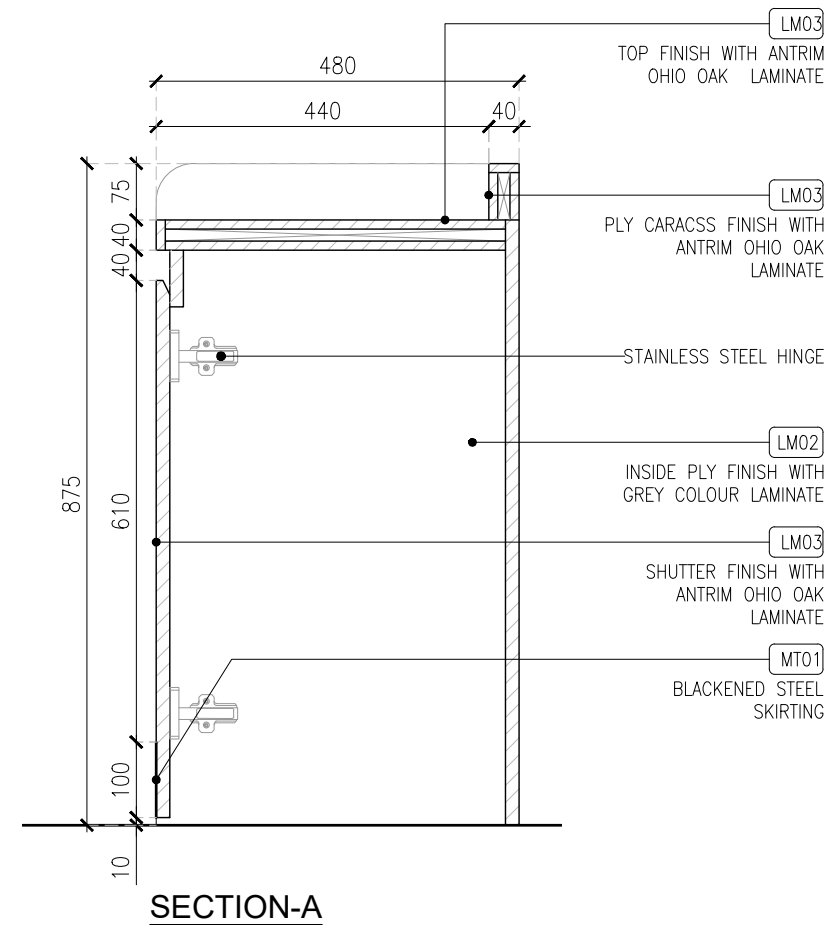
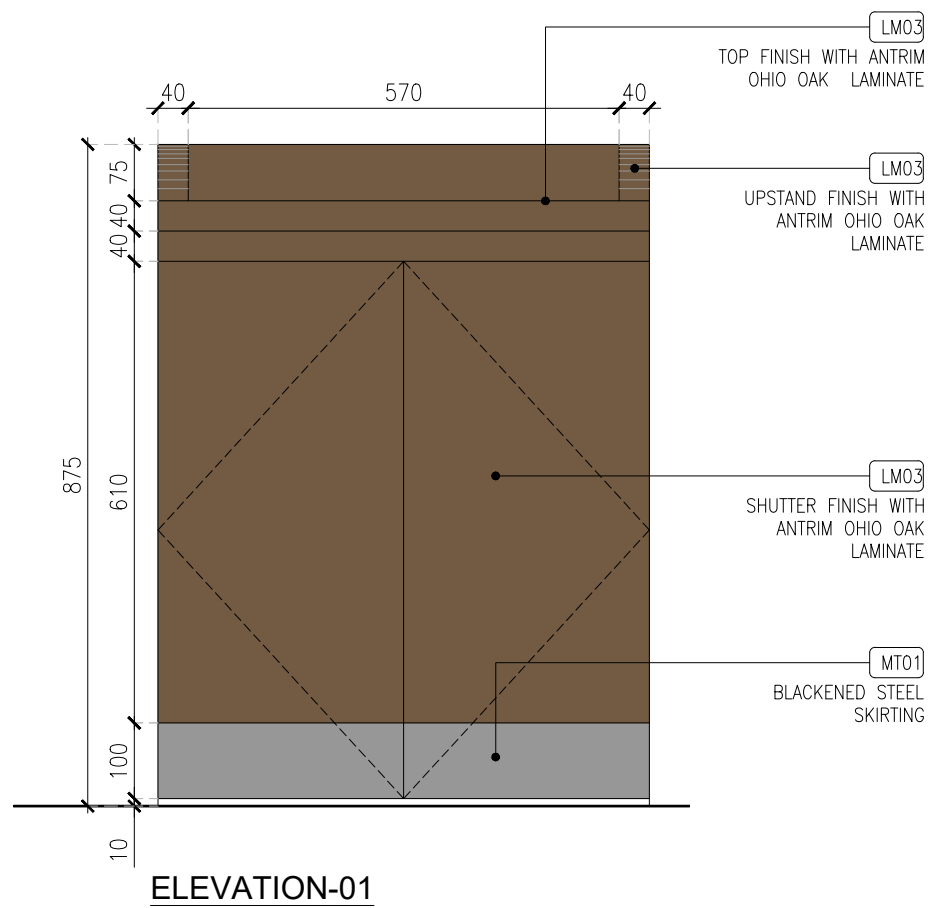
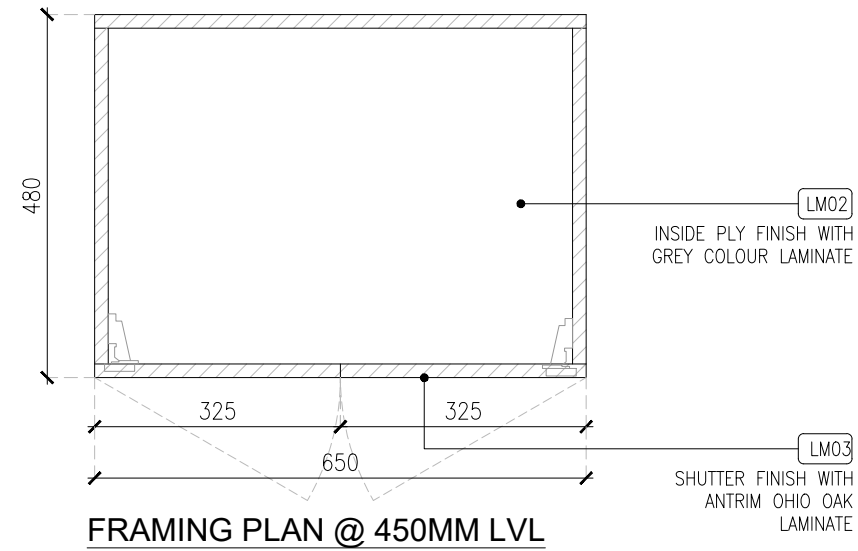
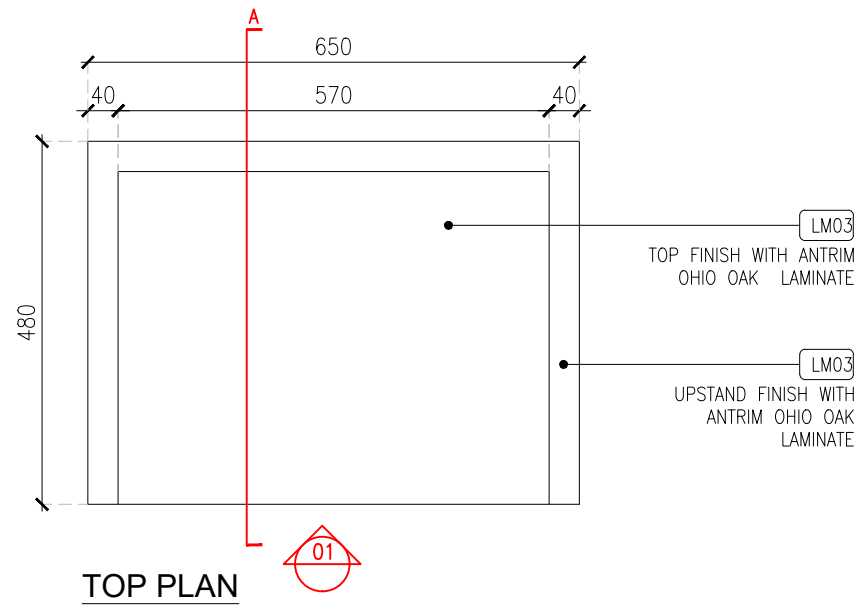
DRAWING TITLE
J17-LEDGE DETAIL

SCALE AS MENTIONED DATE 21.05.2024 DRAWN HOD A3 SHEET

STATUS
GOOD FOR CONSTRUCTION

ORG PROJECT NO DRAWING TYPE NUMBER REV
TFS XXXX 04DE 415 C01





REF IMG: STAINLESS STEEL HINGE FIXING DETAIL

C01	21.05.24	GOOD FOR CONSTRUCTION	HOD	NM
REV	DATE	DESCRIPTION	DRN	CHK



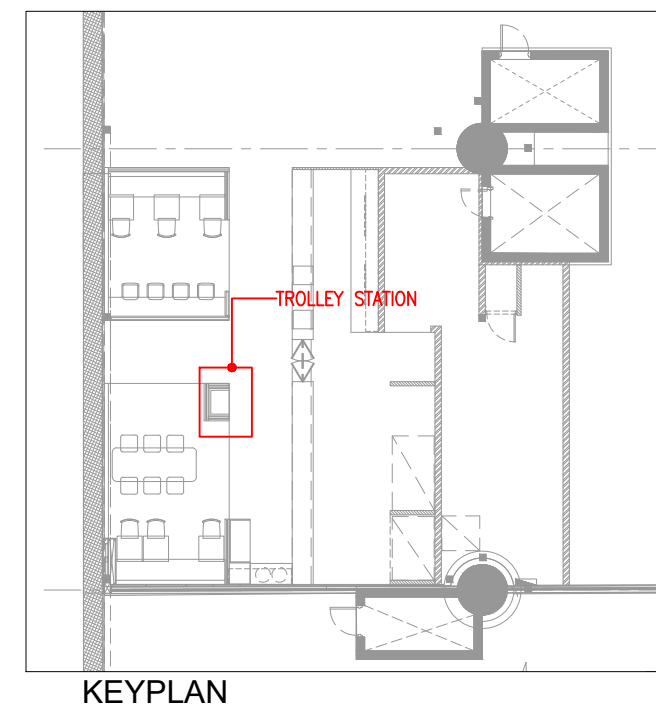
PROJECT
**JAMIE OLIVERS PIZZERIA
HYDERABAD AIRPORT**

DRAWING TITLE
J18-TROLLEY STATION DETAIL

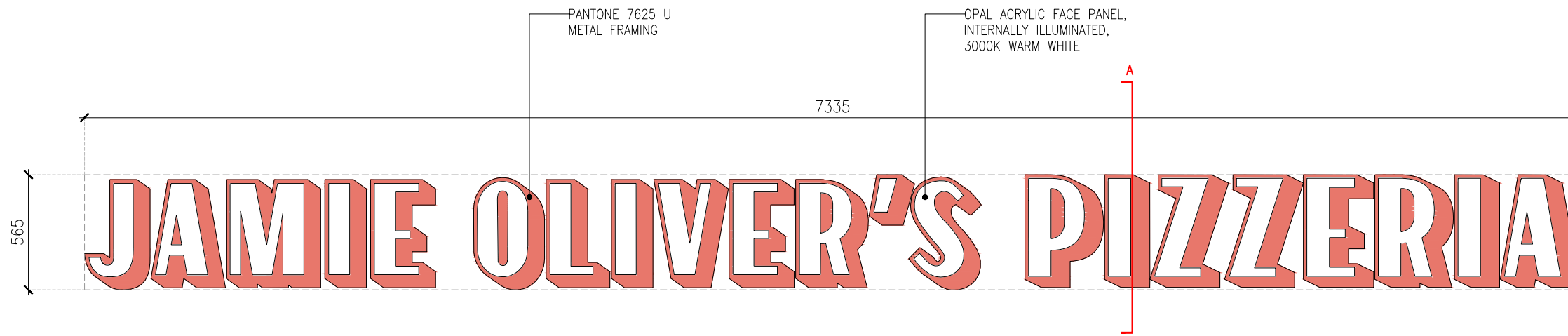
SCALE 1:10 DATE 21.05.2024 DRAWN HOD A3 SHEET

STATUS
GOOD FOR CONSTRUCTION

ORG PROJECT NO DRAWING TYPE NUMBER REV
TFS XXXX 04DE 416 C01

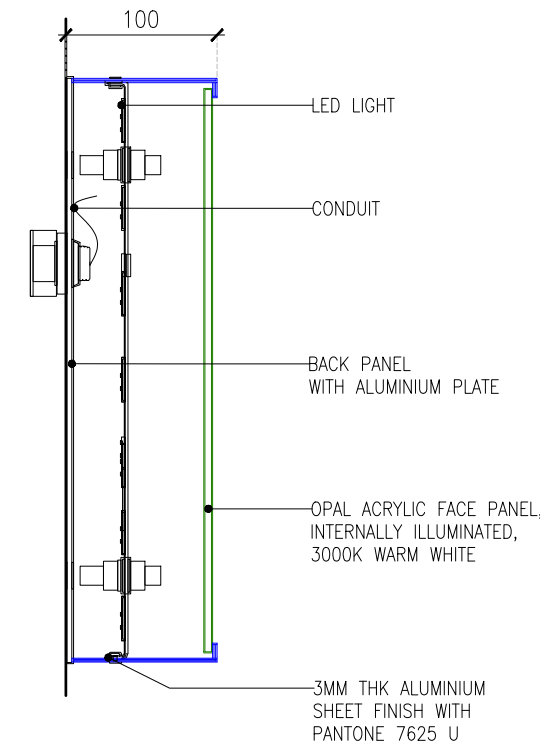
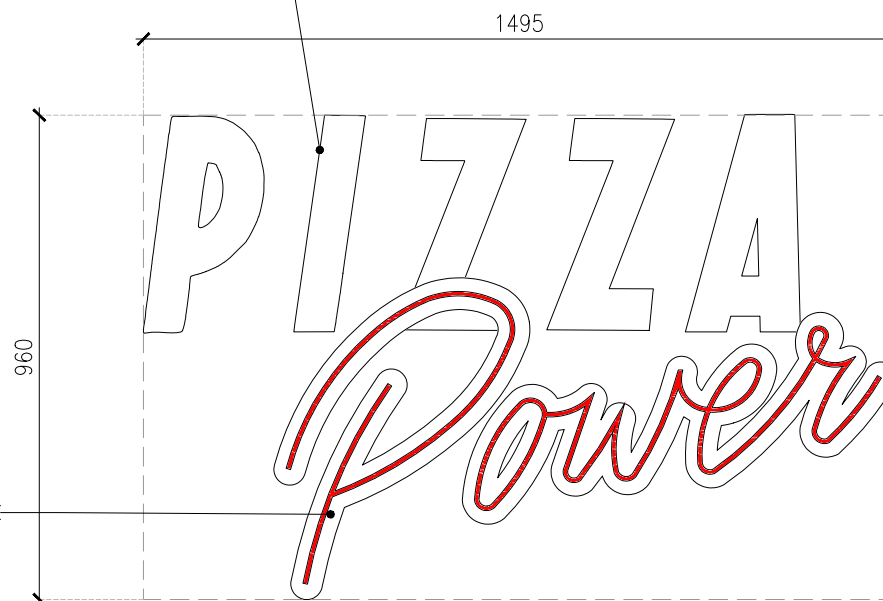


01 J18-TROLLEY STATION DETAIL
04DE-416 1:10



01 MAIN SIGNAGE-01(SG01)
04DE-417 1:25

50 MM THK FRONT LIT FRET CUT LETTERS FINISH WITH 3 MM THICK WHITE ACRYLIC SHEET ON FRONT SIDE



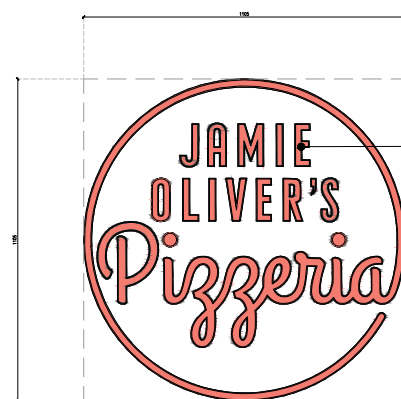
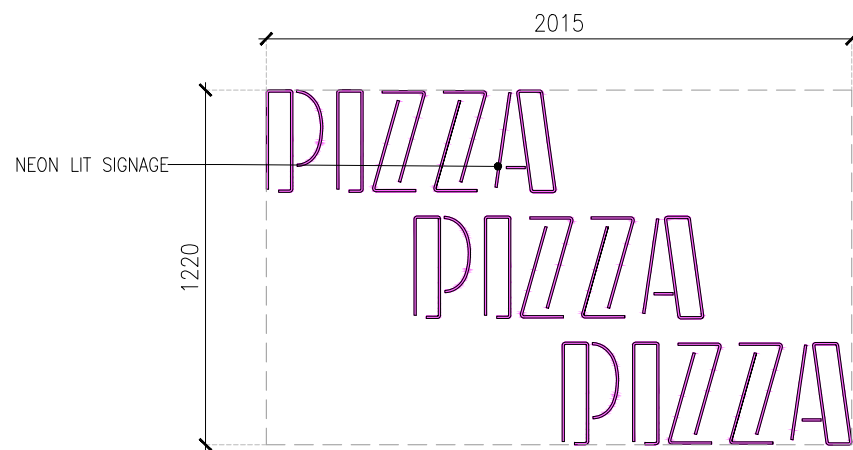
SECTION-A OF FRONT LIT SIGNAGE

C01	21.05.24	GOOD FOR CONSTRUCTION	HOD	NM
REV	DATE	DESCRIPTION	DRN	CHK



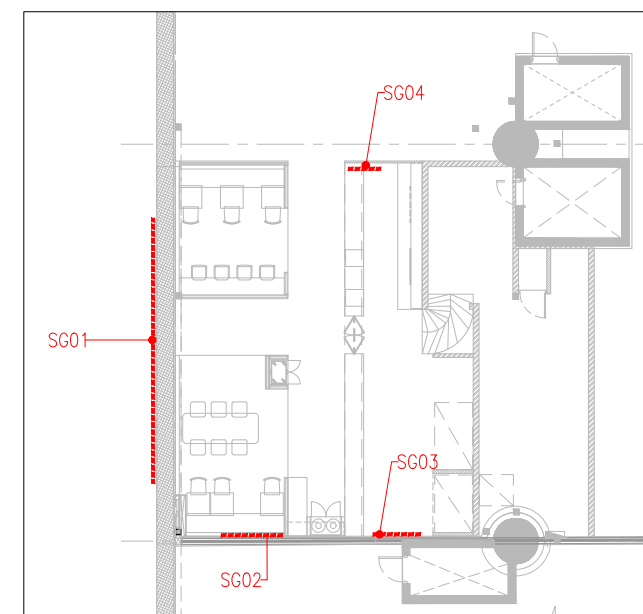
02 SIGNAGE-02 (SG02)
04DE-417 1:15

03 SIGNAGE-03 (SG03)
04DE-417 1:15



50 MM THK FRONT LIT FRET CUT LETTERS FINISH WITH 3 MM THICK SALMON COLOUR ACRYLIC SHEET ON FRONT SIDE (RAL:2012) AND GREY COLOUR ACRYLIC SHEET ON SIDES (RAL:7010)

04 CIRCULAR SIGNAGE-04 (SG04)
04DE-417 1:25



KEY PLAN



PROJECT
JAMIE OLIVERS PIZZERIA
HYDERABAD AIRPORT

DRAWING TITLE
J21-SIGNAGE DETAIL

SCALE AS MENTIONED DATE 21.05.2024 DRAWN HOD A3 SHEET

STATUS
GOOD FOR CONSTRUCTION

ORG	PROJECT NO	DRAWING TYPE	NUMBER	REV
TFS	XXXX	04DE	417	C01