

DILLI STREET

L5 LEVEL T1 , IGI AIRPORT DELHI

LIST OF DRAWINGS		
#	DESCRIPTION	DWG.No
1	COVER SHEET	02GA-001
2	GENERAL NOTES & FINISHES SCHEDULE PART-A	02GA-002
3	FINISHES SCHEDULE PART-B	02GA-003
4	FINISHES SCHEDULE PART-C	02GA-004
5	FINISHES SCHEDULE PART-B & FURNITURE LEGEND	02GA-005
6	LIGHT & FIXTURE LEGEND	02GA-006
7	DEMOLITION PLAN	02GA-007
8	DETAIL DRAWING LEGEND	02GA-008
9	ZONING PLAN	02GA-009
PLANS		
10	GENERAL ARRANGEMENT PLAN	02GA-100
11	EQUIPMENT LAYOUT	02GA-101
12	SETTING OUT PLAN	02GA-102
13	FURNITURE SETTING OUT PLAN	02GA-103
14	FLOORING LAYOUT	02GA-104
15	FLOORING DETAIL:PART-A	02GA-105
16	FLOORING DETAIL:PART-B	02GA-106
17	RAISED FLOOR & WATER PROOFING LAYOUT	02GA-107A
18	RAISED FLOOR SECTIONS & RAMP DETAIL	02GA-107B
19	RCP LAYOUT	02GA-108
20	LIGHTING LAYOUT	02GA-109
21	SECONDARY CEILING LAYOUT	02GA-110
22	PROPOSED CEILING PLATFORM DETAIL	02GA-111
23	RCP SECTION 01 & 02	02GA-112

24	WALL FINISHES	02GA-113
ELEVATIONS		
25	ELEVATION-01	03IL-300
26	ELEVATION-02 & SECTION-01	03IL-301
27	ELEVATION-03 ,ELEVATION-04 & ELEVATION-05	03IL-302
28	ELEVATION-06	03IL-303
29	ELEVATION-07	03IL-304
30	ELEVATION-08	03IL-305
31	SECTION-02	03IL-306
32	SECTION-03	03IL-307
33	SECTION-04 & J16-CEILING ELEMENT-01 DETAIL	03IL-308
DETAIL DRAWINGS		
34	J01-CHAATWALA FRONT COUNTER DETAIL PART-A	04DE-400
35	J01-CHAATWALA FRONT COUNTER DETAIL PART-B	04DE-401
36	J01-CHAATWALA FRONT COUNTER DETAIL PART-C	04DE-402
37	J02-SOUTH INDIAN KITCHEN COUNTER DETAIL PART-A	04DE-403
38	J02-SOUTH INDIAN KITCHEN COUNTER DETAIL PART-B	04DE-404
39	J03-USTAAD COUNTER DETAIL PART-A	04DE-405
40	J03-USTAAD COUNTER DETAIL PART-B	04DE-406
41	J03-USTAAD COUNTER DETAIL PART-C	04DE-407
42	J04-BAR COUNTER DETAIL PART-A	04DE-408
43	J04-BAR COUNTER DETAIL PART-B	04DE-409
44	J04-BAR COUNTER DETAIL PART-C	04DE-410
45	J04-BAR COUNTER DETAIL PART-D	04DE-411
46	J05-CONCIERGE DESK DETAIL	04DE-412

47	J06-PERCH TABLE DETAIL PART-A	04DE-413
48	J06-PERCH TABLE DETAIL PART-B	04DE-414
49	J07,J08 -BANQUETTE SEAT WITH PLANTER BOX &J09-LEDGE DETAIL PART-A	04DE-415
50	J07,J08 -BANQUETTE SEAT WITH PLANTER BOX &J09-LEDGE DETAIL PART-B	04DE-415A
51	J10-CONDIMENT UNIT DETAIL	04DE-416
52	J11-OVER HEAD SHELF-03 DETAIL	04DE-417
53	J12-BULKHEAD-01 & J13-BULKHEAD-02 DETAIL	04DE-418
54	J14-BULKHEAD-03 DETAIL PART-A	04DE-419
55	J14-BULKHEAD-03 DETAIL PART-B	04DE-420
56	J15-BULKHEAD-04 DETAIL PART-A	04DE-421
57	J15-BULKHEAD-04 DETAIL PART-B	04DE-422
58	J15-BULKHEAD-04 DETAIL PART-C	04DE-423
59	J17-CEILING ELEMENT-02 DETAIL PART-A	04DE-424
60	J17-CEILING ELEMENT-02 DETAIL PART-B	04DE-425
61	J18-SERVICE CLOSET 01,02,03 & 04 DETAIL	04DE-426
62	J19-COLUMN DETAIL PART-A	04DE-427
63	J19-COLUMN DETAIL PART-B & J20-BOXING-02 (BX02) DETAIL	04DE-428
64	J21-DOOR DETAIL PART-A	04DE-429
65	J21-DOOR DETAIL PART-B	04DE-430
66	J22-GRAPHICS DETAIL PART-A	04DE-431
67	J22-GRAPHICS DETAIL PART-B	04DE-432
68	J22-GRAPHICS DETAIL PART-C	04DE-432A
69	J23-SIGNAGE DETAIL PART-A	04DE-433
70	J23-SIGNAGE DETAIL PART-B	04DE-434

T01 09.01.24 TENDER HOD HOD
REV DATE DESCRIPTION DRN CHK



PROJECT
DILLI STREET
L5 LEVEL
T1 , IGI AIRPORT
DELHI

DRAWING TITLE

COVER SHEET

SCALE NTS DATE 09.01.2024 DRAWN HOD A3 SHEET

STATUS
TENDER

ORG PROJECT NO DRAWING TYPE NUMBER REV
SSP 0000 02GA 001 T01

GENERAL NOTES

ALL DIMENSIONS ARE IN MM UNLESS OTHERWISE MENTIONED.
DO NOT SCALE THE DRAWING.
FOLLOW WRITTEN DIMENSIONS ONLY. IN CASE OF ANY DISCREPANCY IN DIMENSIONS/DETAILS AT SITE, PLEASE REFER IT BACK TO THE ARCHITECT.

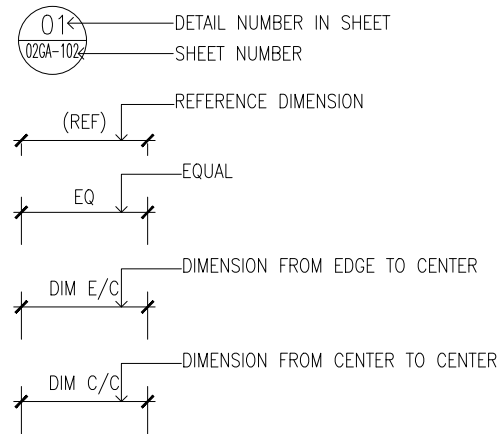
THE MAIN CONTRACTOR IS EXPECTED TO COORDINATE THE DESIGNS/SITE EXECUTION WITH THE DESIGNS/DETAILS/WORKS OF THE SUB-CONTRACTOR/ VENDOR (E.G. PLUMBING CONTRACTOR). IN CASE OF ANY DISCREPANCY IN DIMENSIONS/DETAILS AT SITE, PLEASE REFER IT BACK TO THE ARCHITECT.

THE DRAWINGS/ DETAILS PROVIDED ARE MEANT TO CLARIFY DESIGN INTENT/DESIGN APPEARANCE ONLY. THE CONTRACTOR IS EXPECTED TO DEVELOP HIS/HER OWN DETAILS TO ENSURE STRUCTURAL STABILITY/ FUNCTIONING OF THE DETAIL IN LINE WITH THE DESIGN INTENT GIVEN.

THE DRAWINGS/DETAILS PROVIDED DO NOT CONTAIN ANY IRONMONGERY (E.G. HINGES, SCREWS, ANGLES ETC.) SPECIFICATIONS OR DETAILS. IT IS EXPECTED THE CONTRACTOR WILL SUITABLY DETAIL THE BUILD-UPS WITH THE RIGHT FITTINGS/IRONMONGERY TO ENSURE STRUCTURAL STABILITY/ FUNCTIONING OF THE DETAIL IN LINE WITH THE DESIGN INTENT GIVEN.
ALL SHOP DRAWINGS, MAKE/MATERIAL, FIXTURES TO BE PRESENTED TO ARCHITECT FOR REVIEW AND VALIDATION.

ALL TAP-OFF POINTS (E.G. FOR POWER, WATER, DRAINAGE ETC.) TO BE VALIDATED AT SITE PRIOR TO COMMENCEMENT OF WORK.

SYMBOLS & ABBREVIATIONS



FINISHES SCHEDULE

#	FINISH CODE	SURFACE	FINISH TYPE	DESCRIPTION/DETAIL	FINISH	REFERENCE/BRAND	WEBLINK	IMAGE
TIMBER / WOOD								
1	WD01	CAR O BAR COUNTER,SOUTH INDIAN KITCHEN,CONDIMENT UNIT	VENEER	WOOD GRAINS TAN COLOUR VENEER	PU-COATED	CENTURY VENEER-TANNED VEINS CODE:R827	https://www.centuryply.com/centuryveneers/product/senzurastyles/10ftx4ft-series/2-55-662-tanned-veins	
2	WD02	CHAATWALA BULKHEAD	PLANKS	RECLAIMED WOODEN WALL PANELS WITH RUSTIC EFFECT	PU-COATED	ACCORDFLOORS-WOODEN PANELS	https://www.accordfloors.in/wallpanels/wall-panels.html	
3	WD03	DOOR	PLANKS	10MM THK OAK WOOD PLANKS FINISHED IN DIRTY VARNISHED BLUE COLOUR-PT06	PAINTED	LOCALLY SOURCED	NA	
PAINT								
4	PT01	USTAAD COUNTER	TEXTURE	SEAMLESS CEMENT TEXTURE PAINT COLOUR TO MATCH WITH RAL:9010	MATTE	ASIAN PAINTS/EQUIVALENT	https://www.asianpaints.com/products/paints-and-textures.html	
5	PT02	WALL	TEXTURE	SYRUP COLOUR PAINT WITH GREY COLOUR CEMENT TEXTURED COLOUR TO MATCH WITH PANTONE: P 36-3 U	MATTE	SUZUKA-SATIN TEXTURE PAINT STS-503 MISTY ROSE	https://www.suzuka.in/product-category/satip	
6	PT03	WALL	TEXTURE	GREY COLOUR CEMENT TEXTURE PAINT	MATTE	SUZUKA-CEMENT EFFECT SCT-304 GRANITE GREY	https://www.suzuka.in/product-category/strato-cement-render-effect/	
7	PT04	COLOUMN (USTAAD)	TEXTURE	BLUE COLOUR TEXTURE PAINT	MATTE	SUZUKA-VELOURS SVL-408 ROYAL DENIM	https://www.suzuka.in/product-category/strato-velours/	
8	PT05	GYP SUM CBLING,WALL(BOH), BOX	EMULSION	GREY COLOUR PAINT RAL:9006	MATTE	ASIAN PAINTS/EQUIVALENT	https://www.asianpaints.com/products/paints-and-textures.html	
9	PT06	DOOR	EMULSION	BLUE COLOUR PAINT RAL:5023	MATTE	ASIAN PAINTS/EQUIVALENT	https://www.asianpaints.com/products/paints-and-textures.html	
10	PT07	MDF LASER CUT (FRONT COUNTER FASCIA-CHAATWALA)	ENAMEL	BROWN COLOUR PAINT RAL:8007	MATTE	ASIAN PAINTS-LAVANG-N COLOR CODE :9916 /EQUIVALENT	https://www.asianpaints.com/catalogue/colour-catalogue/browns-wall-colours/lavang-n.html	
11	PT08	MDF LASER CUT (FRONT COUNTER FASCIA-CHAATWALA),COLUMN	ENAMEL	WHITE COLOUR PAINT RAL:9003	MATTE	ASIAN PAINTS/EQUIVALENT	https://www.asianpaints.com/products/paints-and-textures.html	
12	PT09	BULKHEAD,PERCH TABLE,DOOR, CONCIERGE DESK,ALUMINIUM GRILL, EXISTING COLUMN	ENAMEL	BLACK GREY COLOUR PAINT RAL:9005	MATTE	ASIAN PAINTS/EQUIVALENT	https://www.asianpaints.com/products/paints-and-textures.html	
13	PT10	COLOUMN	ENAMEL	AQUA MARINE COLOUR PAINT (HEX:#7FFFD4)	MATTE	ASIAN PAINTS/EQUIVALENT	https://www.asianpaints.com/products/paints-and-textures.html	
14	PT11	COLOUMN	ENAMEL	SULFUR YELLOW COLOUR PAINT PANTONE 012 C	MATTE	ASIAN PAINTS/EQUIVALENT	https://www.asianpaints.com/products/paints-and-textures.html	
15	PT12	CBLING ELEMENT	ENAMEL	BLUE COLOUR PAINT PANTONE: PMS 7455 C	MATTE	ASIAN PAINTS/EQUIVALENT	https://www.asianpaints.com/products/paints-and-textures.html	

ALL DIMENSIONS MUST BE CHECKED ON SITE
INFORM THE ARCHITECT OF ANY DISCREPANCIES PRIOR TO CONSTRUCTION

T01 09.01.24 TENDER HOD HOD
REV DATE DESCRIPTION DRN CHK



PROJECT
DILLI STREET
L5 LEVEL
T1 , IGI AIRPORT
DELHI



DRAWING TITLE
GENERAL NOTES & FINISHES
SCHEDULE:PART-A

SCALE NTS DATE 09.01.2024 DRAWN HOD A3 SHEET

STATUS

TENDER

ORG PROJECT NO DRAWING TYPE NUMBER REV
SSP 0000 02GA 002 T01

16	PT13	CEILING ELEMENT,COLUMN	ENAMEL	DARK BLUE COLOUR PAINT PANTONE: PMS 274 C	MATTE	ASIAN PAINTS/EQUIVALENT	https://www.asianpaints.com/products/paints-and-textures.htm	
17	PT14	CEILING ELEMENT, CONCIERGE DESK	ENAMEL	SIGNAL YELLOW COLOUR PAINT RAL:1003	MATTE	ASIAN PAINTS/EQUIVALENT	https://www.asianpaints.com/products/paints-and-textures.htm	
18	PT15	CEILING ELEMENT,COLUMN	ENAMEL	RED COLOUR PAINT PANTONE: PMS 485 C	MATTE	ASIAN PAINTS/EQUIVALENT	https://www.asianpaints.com/products/paints-and-textures.htm	
19	PT16	COLUMN	ENAMEL	PINK COLOUR PAINT RAL:4010	MATTE	ASIAN PAINTS/EQUIVALENT	https://www.asianpaints.com/products/paints-and-textures.htm	
20	PT17	WALL	EMULSION	SIGNAL YELLOW COLOUR PAINT RAL:1003	MATTE	ASIAN PAINTS/EQUIVALENT	https://www.asianpaints.com/products/paints-and-textures.htm	
WALL TILES								
21	WT01	WALL,BULKHEAD	BRICK CLADINGS	215x65x23MM THK BRICK CLADING AND SEMI WHITE CEMENT PLASTERING FOR RUSTIC LOOK, FINISHED WHITE PAINT-PT01 & WHITE-RAL:9003 GROUT	NEUTRAL	JAY JALARAM BRICKS VINCENT YELLOW OLDE-CT34	https://jbricks.com/products/cladding/ct34-vincent-yellow-olde	
22	WT02	WALL	BRICK CLADINGS	215x65x23MM THK BRICK CLADING WITH WHITE-RAL:9003 GROUT	NEUTRAL	JAY JALARAM BRICKS VINCENT YELLOW OLDE-CT34	https://jbricks.com/products/cladding/ct34-vincent-yellow-olde	
23	WT03	FRONT COUNTER	VINYL TILE	100x100MM BLUE COLOUR MOROCCAN PATTERN TILE	NEUTRAL	QUADROSTYLE-ZAHARA IN BALTIC VINYL TILE STICKER /EQUIVALENT	https://quadrostyle.com/products/zahara-vinyl-tile-sticker-pack-in-baltic-kitchen-bathroom-floors	
24	WT04	WALL	CERAMIC TILE	100x300M WHITE TILE WITH BEVELED EDGES	GLOSSY	RAK-SUBWAY CODE:A13WSUBY-WHE.G8X4J	https://www.rakceramics.com/uk/en/tiles-floors-coverings/collections/subway/	
25	WT05	WALL (BOH)	CERAMIC TILE	330x330x8.5 MM THICK WHITE CERAMIC TILE	GLOSSY	RAK-WHITE COLLECTIONS CODE:A04R400-WH0.G0U	https://www.rakceramics.com/en/tiles-floors-coverings/collections/white-collection/	
26	WT06	WALL	MOSAIC TILE	ORANGE COLOUR LANTERN HAND MADE MOSAIC TILE	GLOSSY	OLIVEMOSAIC-LANTERN HANDMADE TILE	https://www.olivemosaic.com/handmade-tiles.html	
27	WT07	WALL	MOSAIC TILE	RED COLOUR LANTERN HAND MADE MOSAIC TILE	GLOSSY	OLIVEMOSAIC-LANTERN HANDMADE TILE	https://www.olivemosaic.com/handmade-tiles.html	
28	WT08	WALL	CERAMIC TILE	300x300MM ARABIC STYLE CERAMIC TILE	GLOSSY	OSAANJ-MOROCCAN SERIES /EQUIVALENT	https://www.osaanj.com/moroccan-tiles-india	
LAMINATE								
29	LM01	SHELF,SERVICE CLOSET	LAMINATE	DARK OAK WOOD LAMINATE	MATTE	MERINO LAMINATES-DACO STAD OAK-DESIGN:14013	https://www.merinolaminates.com/en/design/14013-daco-stad-oak/	
30	LM02	PLANTER BOX	LAMINATE	CONCRETE TEXTURE LAMINATE	MATTE	MERINO LAMINATES- URBAN CONCRETE (DARK) DESIGN:MPT 82615	https://www.merinolaminates.com/en/design/mpt-82615-urban-concrete-dark/	

REV	DATE	DESCRIPTION	HOD	CHK
T01	09.01.24	TENDER		



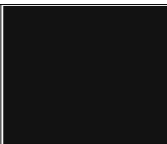
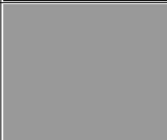


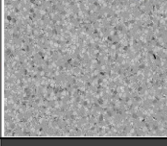







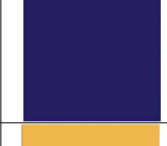

PROJECT
DILLI STREET
L5 LEVEL
T1 , IGI AIRPORT
DELHI

DRAWING TITLE
FINISHES SCHEDULE:PART-B

SCALE NTS DATE 09.01.2024 DRAWN HOD A3 SHEET

STATUS
TENDER

ORG	PROJECT NO	DRAWING TYPE	NUMBER	REV
SSP	0000	02GA	003	T01

31	LM03	BANQUETTE SEATING, COMMUNITY BULKHEAD, CONCIERGE DESK, CONDIMENT UNIT, OVERHEAD SHELF	LAMINATE	BLACK COLOUR LAMINATE	MATTE	FORMICA LAMINATE-DIAMOND BLACK-CODE:F2253	https://www.formica.com/en-gb/products/laminate/F2253	
32	LM04	INSIDE-COUNTER, CONCIERGE DESK, PERCH TABLE	LAMINATE	GREY COLOUR LAMINATE	MATTE	FORMICA LAMINATE-TORNADO-CODE:F2253	https://www.formica.com/en-gb/products/laminate/F1535	
METAL								
33	MT01	SKIRTING	STAINLESS STEEL	100MM HT STAINLESS STEEL SKIRTING	NEUTRAL	TESCO STEELS	https://www.tescosteels.com/tailess-steel-skirting	
COUNTER TOP								
34	CT01	COUNTER TOP-CHAATWALA, LIVE KITCHEN, USTAAD COUNTER, CONDIMENT UNIT	SOLID SURFACE	BROWN METAL FINISHED CORIAN TOP	MATTE	CORIAN-ENDURA DEEP METAL	https://www.endura.corian.com/	
35	CT02	PERCH TABLE	SOLID SURFACE	GREY COLOUR TERAZZO TEXTURE COUNTER TOP	MATTE	HANEX-H-CLOUDY T-008	https://www.hanex.com/collections/view.php?num=85&	
36	CT03	CONCIERGE DESK	SOLID SURFACE	DEEP GREY COLOUR CORIAN TOP	MATTE	CORIAN-DEEP NOCTURNE	https://www.corian.com/	
37	CT04	CAR O BAR COUNTER	GRANITE	FRENCH BROWN GRANITE	MATTE	NATURAL STONE CREATIONS-FRENCH BROWN	http://naturalstonecreation.com/product/french-brown/	
UPHOLSTERY								
38	UP01	BANQUETTE SEAT	LEATHERETTE	CUSHION FINISH WITH GREEN COLOUR LEATHERETTE COLOUR TO MATCH WITH RAL:6010	NEUTRAL	GIRIRAJ COATED FAB PVT LTD	https://www.girirajcoated.com/faux-leather.htm	
FLOORING								
39	FL01	FLOOR-01 (FOH)	RECTIFIED TILE	600X600MM DECORO LUX RECTIFIED TILE	GLOSSY	MARRAZI-MVIRA DECORO LUX	https://www.marozzigroup.com/collections/all-marble-collection/	
40	FL02	FLOOR-02 (FOH)	RECTIFIED TILE	600X1200MM CONCRETE CHARCOAL	MATTE	SIMPOLO-INTEGRITY CONCRETE CHARCOAL	https://www.simpolo.net/product-detail/integrity/integrity-collection/concrete-charcoal	
41	FL03	FLOOR-03 (FOH)	MOSAIC TILE	600X600MM CEMENT MOSAIC TILE		SHREE SIDDHIVINAYAK STONE AND TILES CO HERITAGE-CEMENT MOSAIC	http://www.siddhivinayaktiles.com/	
42	FL04	FLOOR-04 (FOH)	CERAMIC TILE	100X100MM NEW BLUE CERAMIC TILE	GLOSSY	JOHNSON TILES-HERITAGE NEW BLUE	https://www.brjohnsonindia.com/product-heritage-new-blue-ya00000170000se	
43	FL05	FLOOR-05 (FOH)	CERAMIC TILE	100X100MM ROYAL BLUE CERAMIC TILE	GLOSSY	JOHNSON TILES-HERITAGE ROYAL BLUE	https://www.brjohnsonindia.com/product-heritage-royal-blue-ya00000490000se	
44	FL06	FLOOR-06 (FOH)	CERAMIC TILE	100X100MM MANGO YELLOW COLOUR PAINT	GLOSSY	JOHNSON TILES-HERITAGE MANGO YELLOW	https://www.brjohnsonindia.com/product-heritage-mango-yellow-ya00000530000se	

T01	09.01.24	TENDER	HOD	HOD
REV	DATE	DESCRIPTION	DRN	CHK





PROJECT
DILLI STREET
L5 LEVEL
T1, IGI AIRPORT
DELHI








DRAWING TITLE
FINISHES SCHEDULE:PART-C

SCALE NTS DATE 09.01.2024 DRAWN HOD A3 SHEET

STATUS
TENDER

ORG	PROJECT NO	DRAWING TYPE	NUMBER	REV
SSP	0000	02GA	004	T01

45	FL07	FLOOR-07 (FOH)	CERAMIC TILE	100X100MM RED COLOUR CERAMIC TILE	GLOSSY	JOHNSON TILES-PRISMATICS TOMATO	https://www.johnson-tiles.com/catalog/products/prismatics/tomato/gloss/wall/tile	
46	FL08	FLOOR-08 (FOH & KITCHEN)	CERAMIC TILE	600X600MM GREY COLOUR ANTI SKID CERAMIC TILE	MATTE	SIMPOLO-SOLID DOVE SOLID ASH /EQUIVALENT	https://www.simpolo.net/product-detail/minimo/minimo-collection/solid-dove_solid-ash	
47	FL09	FLOOR TRIM	STAINLESS STEEL	S.S. 304 GRADE T-SHAPE TRANSITION TRIM	MATTE	SDS-PRORILES /EQUIVALENT	https://sdspofile.com/product/s304-t-patti-t-profile-now-available-in-pune-sds-brand/	
48	FL10	STAIR TRIM	STAINLESS STEEL	S.S. STAIR TRIM	MATTE	SDS-PRORILES /EQUIVALENT	https://sdspofile.com/product/s304-t-patti-t-profile-now-available-in-pune-sds-brand/	
GLASS								
49	GL01	USTAAD COUNTER	GLASS	8MM THK TOUGHENED GLASS	NEUTRAL	SAINIT GLOBIN	https://www.saint-gobain-glass.com/products/planiclear	

FURNITURE LEGEND					
SLNO	CODE	DESCRIPTION	QTY	REFERENCE/BRAND	IMAGE
1	CH1	DINING CHAIR-01 WOODEN ARM CHAIR WITH LINEN CUSHION SEAT AND BACKREST IN NATURAL STRAW. CHAIR HEIGHT:870MM CHAIR WIDTH:540MM CHAIR LENGTH:580MM SEAT HEIGHT:460MM SUPPLIER:STUDIOKAZA	34	https://studiokaza.com/product/naia/	
2	CH2	DINING CHAIR-02 BLACK FINISHED WOODEN ARM(2 SIDES) CHAIR WITH BEIGE LINEN CUSHION SEAT AND BACKREST IN NATURAL STRAW. CHAIR HEIGHT:870MM CHAIR WIDTH:525MM CHAIR LENGTH:515MM SEAT HEIGHT:460MM SUPPLIER:Gebrüder Thonet Vienna-SDZEROTES	13	https://www.gebruedert honetvienna.com/en/products/chair-n-0/	
3	HS	HIGH STOOL ROUND BAR STOOL FINISHED IN BLACK COLOUR WITH FOOT REST AND BROWN LEATHERETTE CUSHION STOOL DIA:380MM SEAT HEIGHT:850MM SUPPLIER:ANKOR STORE	15	https://www.ankorstore.com/brand/homestoreking-14499/barkruk-plisab85-lichtbruin-38x38x85-lichtbruin-kunstleer-metiaal-3897963	
4	TB1	SQUARE TABLE-01 L 600 x W 600 x H 750MM 40MM THK ARABIC TEXTURED TILE TABLE TOP AND SQUARE HOLLOW METAL LEGS WITH SQUARE METAL BASE PLATE FINISHED IN BLACK RAL:9005	8	LOCALLY SOURCED	
5	TB2	SQUARE TABLE-02 L 600 x W 600 x H 750MM 40MM THK OAK WOOD LAMINATED TABLE TOP AND SQUARE HOLLOW METAL LEGS WITH SQUARE METAL BASE PLATE FINISHED IN BLACK RAL:9005 NOTE:LAMINATE TO MATCH WITH MERINO LAMINATES-DACO STAD OAK-DESIGN:14013	9	LOCALLY SOURCED	
6	TB3	RECTANGULAR TABLE L 1200 x W 700 x H 1050MM 50MM THK BLACK LAMINATED TABLE TOP AND SQUARE HOLLOW METAL LEGS PLATE FINISHED IN BLACK RAL:9005 NOTE:LAMINATE TO MATCH WITH MERINO LAMINATES-DACO STAD OAK-DESIGN:14013	2	LOCALLY SOURCED	
7	TB4	CIRCULAR TABLE 600MM DIA CIRCULAR TABLE WITH 40MM THK ARABIC TEXTURED TILE TABLE TOP AND SQUARE HOLLOW METAL LEGS WITH SQUARE METAL BASE PLATE FINISHED IN BLACK RAL:9005	3	LOCALLY SOURCED	

T01	09.01.24	TENDER	HOD	HOD
REV	DATE	DESCRIPTION	DRN	CHK








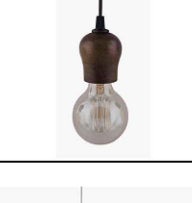
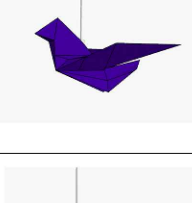
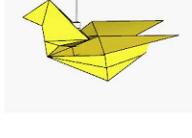
PROJECT
DILLI STREAT
L5 LEVEL
T1 , IGI AIRPORT
DELHI

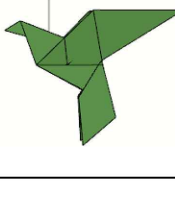
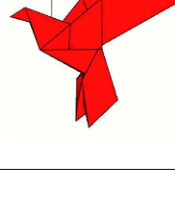




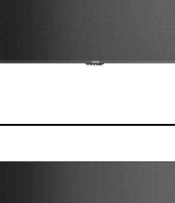
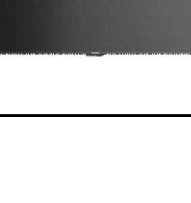
DRAWING TITLE
FINISHES SCHEDULE:PART-D
FURNITURE LEGEND

SCALE NTS DATE 09.01.2024 DRAWN HOD A3 SHEET

STATUS
TENDER

ORG	PROJECT NO	DRAWING TYPE	NUMBER	REV
SSP	0000	02GA	005	T01

LIGHT & FIXTURES LEGEND					
SL.NO	CODE	DESCRIPTION	QTY	REFERENCE/BRAND	IMAGE
1	LT01	TRACK LIGHT BLACK BODY ESSENTIAL SMARTBRIGHT PROJECTOR GEN 2-ST033T LIGHT TEMP:3000K	47	https://www.lighting.philips.co.in/prof/indoor-luminaires/projectors/essential-smartbright-projector-gen-2/911401889882_EU/product	
2	LT02	EDISON DOWN LIGHT PEAR SHAPE EDISON TUNGSTEN SQUIRREL CAGE FILAMENT VINTAGE ANTIQUE LIGHT BULB E27 ST64 & BLACK METAL HOLDER LIGHT TEMP:2700K	64	https://www.homesake.in/lighting/shop/filament-lamp/pear-shape-edison-tungsten-squirrel-cage-filament-vintage-antique-light-bulb-e27-st64-set-of-8.html	
3	LT03	LED GLOBE LIGHT LED GLOBE G95 OPAL GLOBE, DIMMABLE, 7W, ES-E27 LIGHT TEMP:2700K	36	https://www.cromptonamps.com/Catalogue/LED/Globes/LED-Globe-G95-Opal-Globe-Dimmable-7W-2700K-ES-E27-12677	
4	LT04	PENDANT LIGHT-01 EDISON FILAMENTS BULB HOLDER HANGING E27 FINISHED IN RED COLOUR RAL:3032 LIGHT TEMP:2700K	4	https://www.homesake.in/edison-filaments-bulb-holder-hanging-e27-brass-finish-with-switch-retro-industrial.html	
5	LT05	PENDANT LIGHT-02 EDISON FILAMENTS BULB HOLDER HANGING E27 (ANTIQUE BLACK) LIGHT TEMP:2700K	4	https://www.homesake.in/edison-filaments-bulb-holder-hanging-e27-brass-finish-with-switch-retro-industrial-2323.html	
6	LT06	PENDANT LIGHT-03 EDISON FILAMENT WOODEN WALNUT BULB HOLDER LIGHT TEMP:2700K	7	https://www.homesake.in/edison-filament-wooden-walnut-bubble-bulb-holder-urban-retro-nordic-style-with-fixture-set-of-2.html	
7	LT07	BIRD SHAPE PENDANT LIGHT-01 BLUE COLOUR BIRD SHAPE CANVAS BODY + LED BULB LIGHT TEMP:2700K	11	LOCALLY SOURCED	
8	LT07	BIRD SHAPE PENDANT LIGHT-02 YELLOW COLOUR BIRD SHAPE CANVAS BODY + LED BULB LIGHT TEMP:2700K	12	LOCALLY SOURCED	

9	LT08	BIRD SHAPE PENDANT LIGHT-03 GREEN COLOUR BIRD SHAPE CANVAS BODY + LED BULB LIGHT TEMP:2700K	11	LOCALLY SOURCED	
10	LT09	BIRD SHAPE PENDANT LIGHT-04 ORANGE COLOUR BIRD SHAPE CANVAS BODY + LED BULB LIGHT TEMP:2700K	15	LOCALLY SOURCED	
11	LT10	PANEL LIGHT-01 600X600MM RECESSED PANEL LIGHT LIGHT TEMP:4000K	19	https://www.lighting.philips.co.in/prof/indoor-luminaires/recessed/full-glow-g6/LP_CF_8858165_EU/family?filters=&pagesize=8&page=3	
12	LT11	PANEL LIGHT-02 OCTANE SQUARE LED PANEL LIGHT 15 W LIGHT TEMP:4000K	3	https://havells.com/en/consumer/lighting/led-recess-panels/octane-panels/octane-square-led-panel-15-w-4000-k.html	
13	LT12	PANEL LIGHT-03 OCTANE ROUND LED PANEL LIGHT 15 W LIGHT TEMP:4000K	18	https://havells.com/en/consumer/lighting/led-recess-panels/octane-panels/octane-round-led-panel-15-w-4000-k.html	
14	LT13	LED STRIP LIGHT LED STRIP LIGHT WITH DIFFUSER LIGHT TEMP:3000K	AS PER DWG	https://havells.com/en/consumer/lighting/led%20strips/flexion-strip-light/flexion-led-strip-24-w-rab.html	
15	DD1	32" SUSPENDED DIGITAL DISPLAY LG LED TV LQ57 32-32LQ570BPSA / EQUIVALENT	10	https://www.lg.com/in/tvs/lg-32lq570bpsa	
16	DD2	32" DIGITAL DISPLAY LG LED TV LQ57 32-32LQ570BPSA / EQUIVALENT	4	https://www.lg.com/in/tvs/lg-32lq570bpsa	

T01 09.01.24 TENDER HOD HOD
REV DATE DESCRIPTION DRN CHK



PROJECT
DILLI STREET
L5 LEVEL
T1, IGI AIRPORT
DELHI

DRAWING TITLE

LIGHT & FIXTURE LEGEND

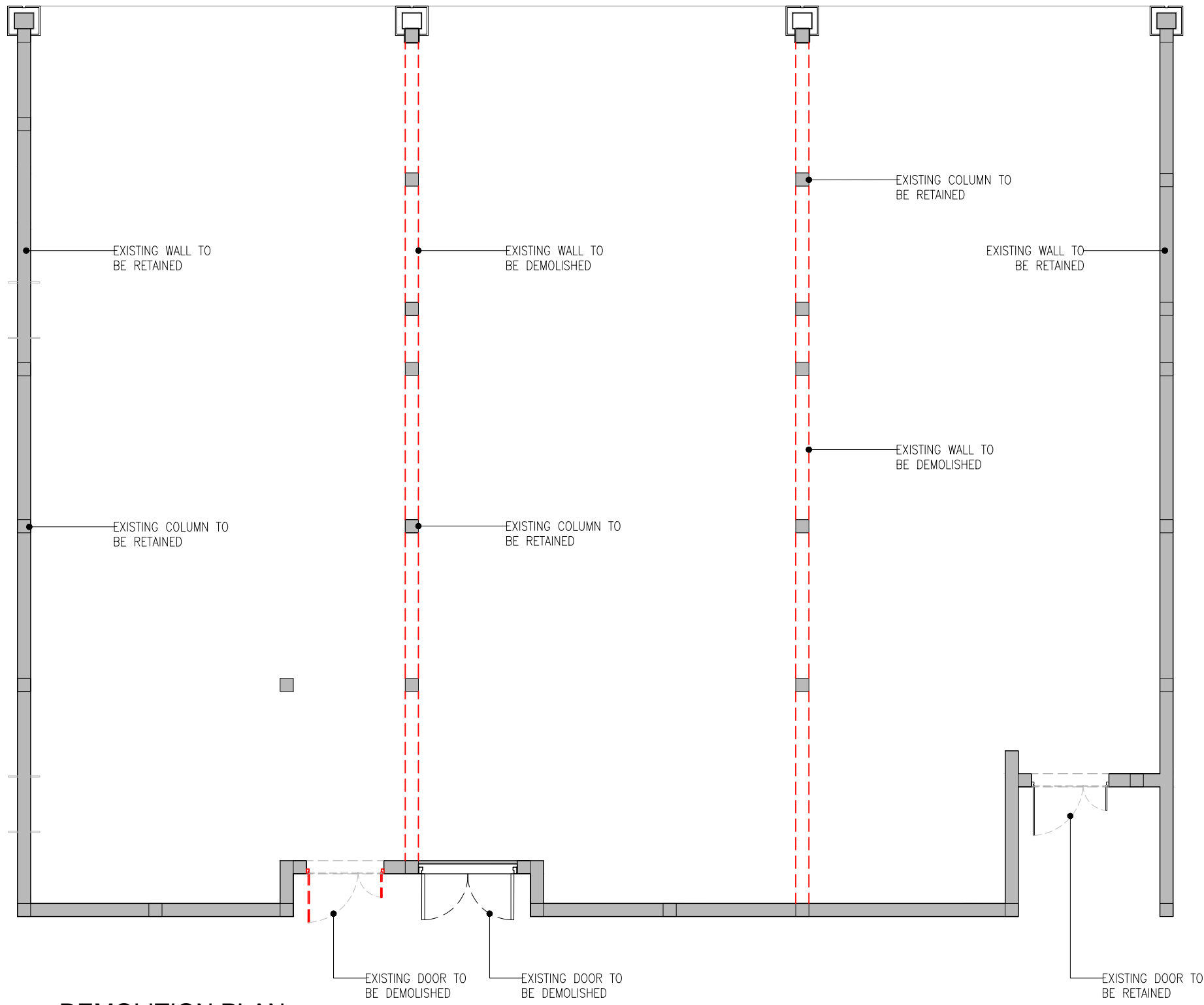
SCALE NTS DATE 09.01.2024 DRAWN HOD A3 SHEET

STATUS

TENDER

ORG PROJECT NO DRAWING TYPE NUMBER REV
SSP 0000 02GA 006 T01

--- EXISTING STRUCTURE TO BE DEMOLISHED



01 DEMOLITION PLAN
02GA-007 1:75

REV	DATE	DESCRIPTION	DRN	CHK
T01	09.01.24	TENDER		



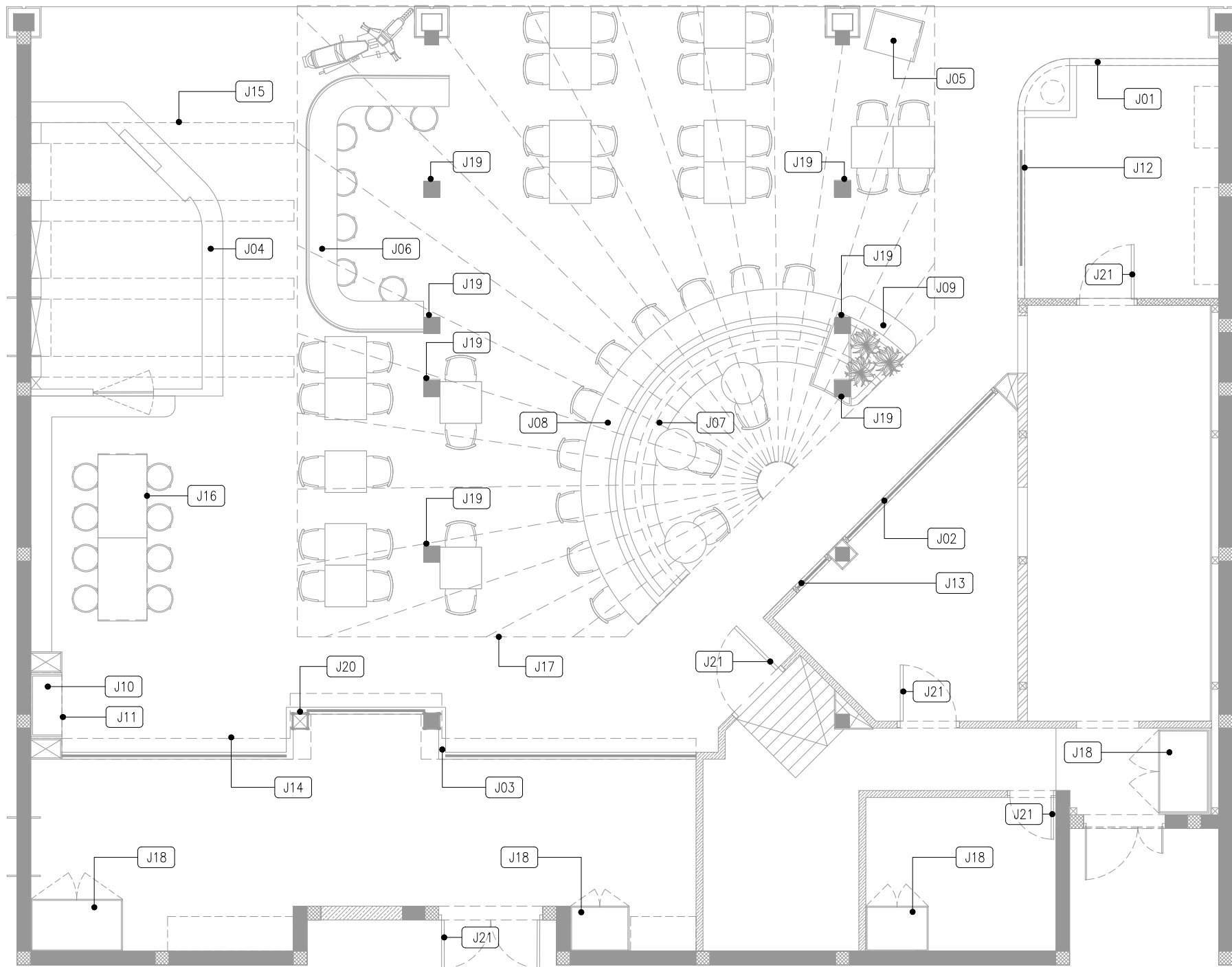
PROJECT
DILLI STREET
L5 LEVEL
T1 , IGI AIRPORT
DELHI

DRAWING TITLE
DEMOLITION PLAN

SCALE 1:75 DATE 09.01.2024 DRAWN HOD A3 SHEET

STATUS
TENDER

ORG	PROJECT NO	DRAWING TYPE	NUMBER	REV
SSP	0000	02GA	007	T01



DETAIL DRAWING SCHEDULE		
CODE	DESCRIPTION	ADDITIONAL INFORMATION
J01	CHAATWALA KITCHEN COUNTER	REFER: 04DE-400 TO 04DE-402
J02	SOUTH INDIAN KITCHEN COUNTER	REFER: 04DE-403 , 04DE-404
J03	USTAAD COUNTER	REFER: 04DE-405 TO 04DE-407
J04	BAR COUNTER	REFER: 04DE-408 TO 04DE-411
J05	CONCIERGE DESK	REFER: 04DE-412
J06	PERCH TABLE	REFER: 04DE-413 , 04DE-414
J07	BANQUETTE SEAT	REFER: 04DE-415,415A
J08	LEDGE	REFER: 04DE-415,415A
J09	PLANTER BOX	REFER: 04DE-415,415A
J10	CONDIMENT UNIT	REFER: 04DE-416
J11	OVER HEAD SHELF-03	REFER: 04DE-417
J12	BULKHEAD-01	REFER: 04DE-418
J13	BULKHEAD-02	REFER: 04DE-418
J14	BULKHEAD-03	REFER: 04DE-419,420
J15	BULKHEAD-04	REFER: 04DE-421 TO 04DE-423
J16	CEILING ELEMENT-01	REFER: 03IL-308
J17	CEILING ELEMENT-02	REFER: 04DE-424 , 04DE-425
J18	SERVICE CLOSET 01,02,03 & 04	REFER: 04DE-426
J19	COLUMN DETAIL	REFER: 04DE-427,04DE-428
J20	BOX-2 (BX2) DETAIL	REFER: 04DE-428
J21	DOOR DETAIL	REFER: 04DE-439 , 04DE-430
J22	GRAPHICS DETAIL	REFER: 04DE-431 , 04DE-432 , 04DE-432A
J23	SIGNAGE DETAIL	REFER: 04DE-433 , 04DE-434

01 DETAIL DRAWING LEGEND
02GA-008 1:75

T01 09.01.24 TENDER HOD HOD
REV DATE DESCRIPTION DRN CHK



PROJECT
DILLI STREET
L5 LEVEL
T1 , IGI AIRPORT
DELHI

DRAWING TITLE

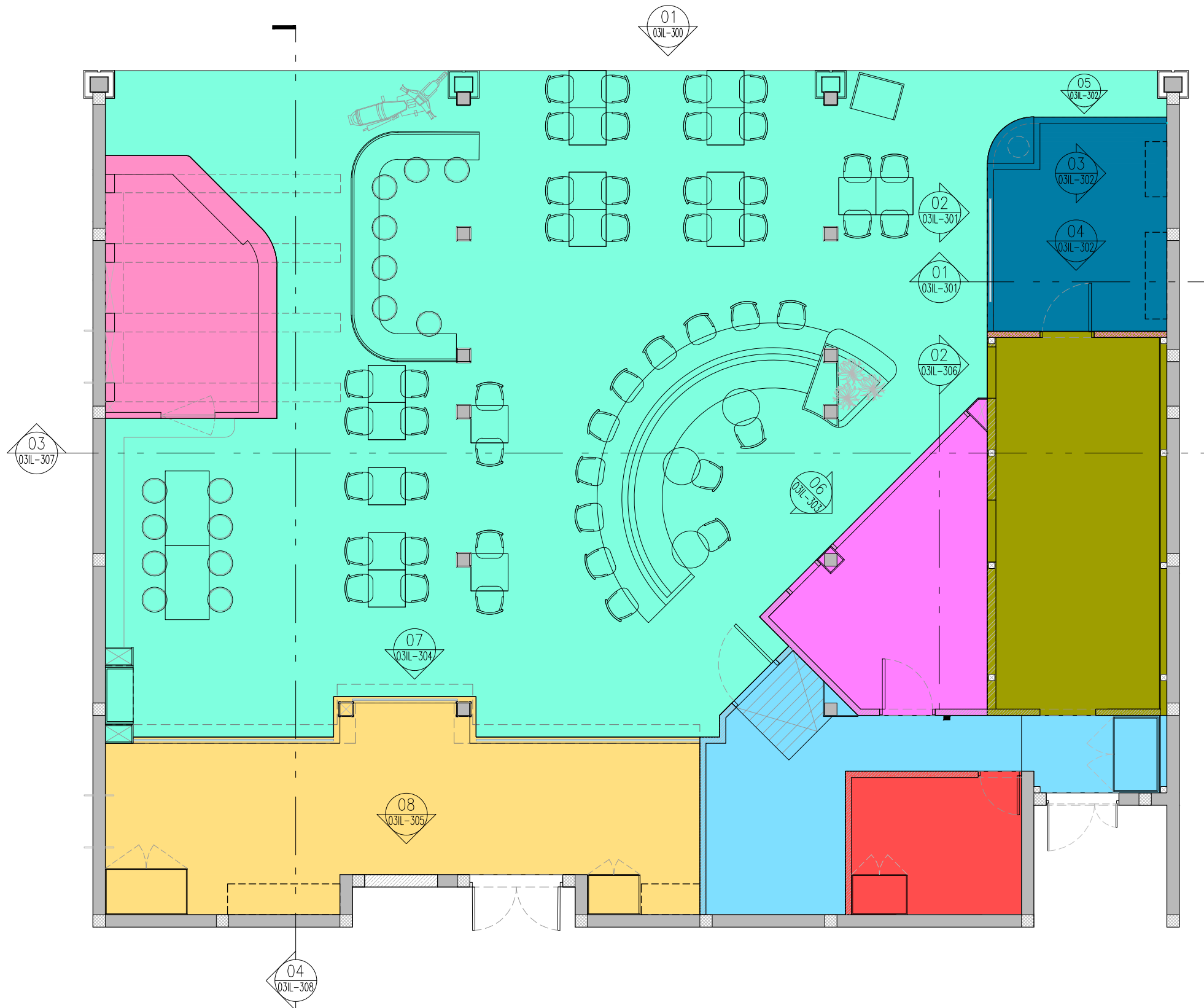
DETAIL DRAWING LEGEND

SCALE 1:75 DATE 09.01.2024 DRAWN HOD A3 SHEET

STATUS

TENDER

ORG PROJECT NO DRAWING TYPE NUMBER REV
SSP 0000 02GA 008 T01



AREA STATEMENT			
SL.NO	PATTERN	DESCRIPTION	AREA
01	[Blue]	CHAATWALA KITCHEN	9.91M ²
02	[Pink]	SOUTH INDIAN KITCHEN	11.35M ²
03	[Yellow]	KEBAB KITCHEN, SUPREME EGG STATION & BIRYANI KITCHEN	26.42M ²
04	[Light Blue]	CAR-O-BAR	10.74M ²
05	[Cyan]	SEATING AREA	129.18M ²
06	[Green]	MAIN KITCHEN	17.98M ²
07	[Light Blue]	DISH WASH AREA	14.15M ²
08	[Red]	STORE AREA	6.59M ²
TOTAL			226.32M ²

01 ZONING PLAN
02GA-009 1:75

T01 09.01.24 TENDER HOD HOD
REV DATE DESCRIPTION DRN CHK



PROJECT
**DILLI STREET
L5 LEVEL
T1 , IGI AIRPORT
DELHI**

DRAWING TITLE
ZONING PLAN

SCALE 1:75 DATE 09.01.2024 DRAWN HOD A3 SHEET

STATUS
TENDER

ORG PROJECT NO DRAWING TYPE NUMBER REV
SSP 0000 02GA 009 T01

ALL DIMENSIONS MUST BE CHECKED ON SITE
INFORM THE ARCHITECT OF ANY DISCREPANCIES PRIOR TO CONSTRUCTION

- INDICATES UNIT DEMISE
- INDICATES PROPOSED SIGNAGE
- INDICATES PROPOSED SUSPENDED SIGNAGE

AREA STATEMENT		
SL.NO	DESCRIPTION	AREA
01	CHAATWALA KITCHEN	9.91M ²
02	SOUTH INDIAN KITCHEN	10.66M ²
03	KEBAB KITCHEN, SUPREME EGG STATION & BIRIYANI KITCHEN	26.42M ²
04	CAR-O-BAR	10.21M ²
05	SEATING AREA	129.70M ²
06	MAIN KITCHEN	17.98M ²
07	DISH WASH AREA	14.85M ²
08	STORE AREA	6.59M ²
TOTAL		226.32M ²

DIGITAL DISPLAY LEGEND			
SL.NO	CODE	DESCRIPTION	COUNT
01	DD1	32" SUSPENDED DIGITAL DISPLAY	10
02	DD2	32" DIGITAL DISPLAY	04

T01 09.01.24 TENDER HOD HOD
REV DATE DESCRIPTION DRN CHK



PROJECT
**DILLI STREET
L5 LEVEL
T1, IGI AIRPORT
DELHI**

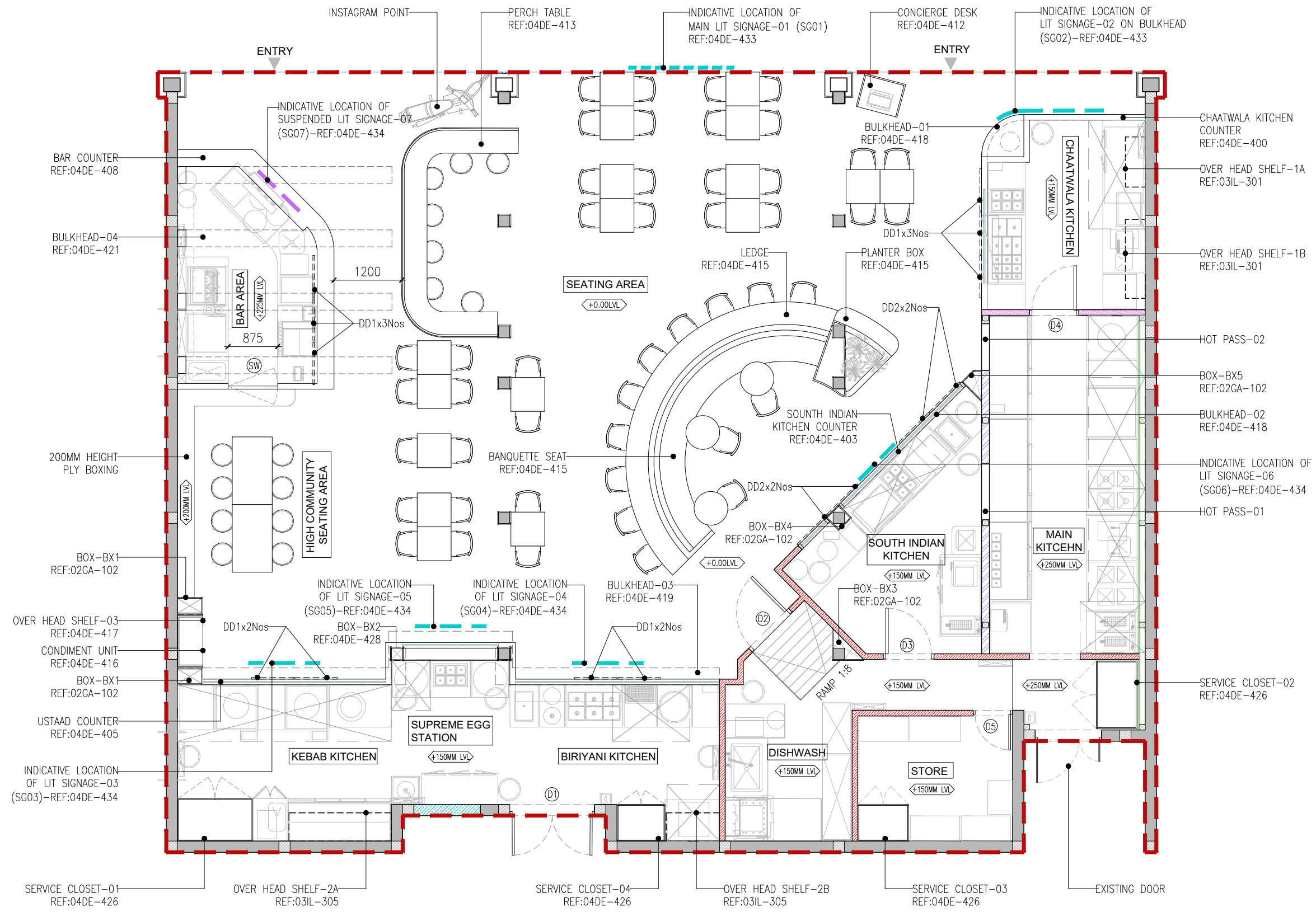
DRAWING TITLE

GENERAL ARRANGEMENT PLAN

SCALE 1:75 DATE 09.01.2024 DRAWN HOD A3 SHEET

STATUS
TENDER

ORG PROJECT NO DRAWING TYPE NUMBER REV
SSP 0000 02GA 100 T01



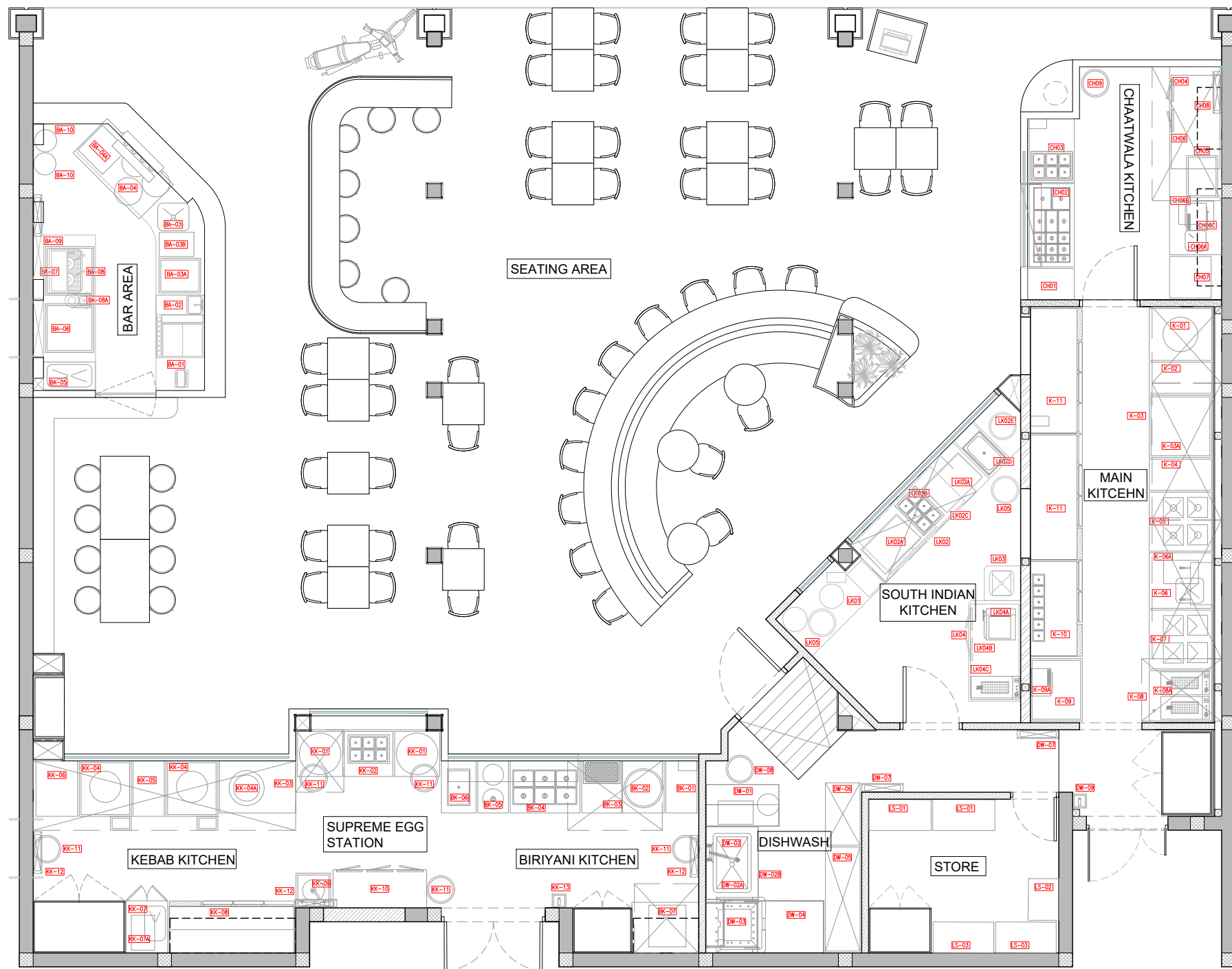
01 GENERAL ARRANGEMENT PLAN
02GA-100 1:75

WALL LEGEND		
PATTERN	DESCRIPTION	HEIGHT
	EXISTING WALL/COLUMN	-
	EXISTING COLUMN	-
	PROPOSED 200MM THK DRY PARTITION WALL	MATCH TO EXISTING WALL
	PROPOSED 140MM THK DRY PARTITION WALL	+4690 MM
	PROPOSED 100MM THK DRY PARTITION WALL	+3250 MM
	PROPOSED 100MM THK DRY PARTITION WALL	+3900 MM
	PROPOSED 120MM THK WALL PANEL	+3900 MM

DOOR LEGEND							
SL.NO	CODE	DESCRIPTION	SWING	SIZE (LxH)	VISION PANEL	FIRE RATED	COUNT
01	D1	CASEN DOOR	OUTSIDE	1500X2100MM	NO	1 HR	1
02	D2	CASEN DOOR	INSIDE	1000X2100MM	NO	1 HR	1
03	D3	CASEN DOOR	INSIDE	900X2100MM	NO	1 HR	1
04	D4	CASEN DOOR	INSIDE	875X2100MM	NO	1 HR	1
05	D5	CASEN DOOR	INSIDE	700X2100MM	NO	1 HR	1
06	SW	SWING DOOR	INSIDE	875X915MM	NO	1 HR	1

BOX LEGEND					
SL.NO	CODE	DESCRIPTION	SIZE (LxW)	HEIGHT	COUNT
01	BX1	PLY BOX	450x300MM	3250MM	2
02	BX2	PLY BOX	235x235MM	3250MM	1
03	BX3	PLY BOX	AS PER DWG	3250MM	1
04	BX4	PLY BOX	AS PER DWG	3250MM	1
05	BX5	PLY BOX	AS PER DWG	3250MM	1

COVERS LEGEND		
SL.NO	DESCRIPTION	COUNT
01	PERCH SEATING	17
02	DINING SEATING	34
03	BANQUETTE SEATING	08
04	COMMUNITY SEATING	08
TOTAL		67



EQUIPMENT LEGEND			
#	CODE	PRODUCT DESCRIPTION	QTY
CHAATWALA KITCHEN AREA			
1	CH-01	WORK TABLE WITH 2 U/S	1
2	CH-02	COLD BAIN MARIE WITH U/C DRAWER C HILLER	1
3	CH-03	WORK TABLE WITH SUNKEN BAIN MARIE 2 U/S	1
4	CH-04	2 DOOR U/C CHILLER	1
5	CH-05	TABLE TOP KULFI FALUDA FREEZER	1
6	CH-06A	COUNTER TOP SINK	1
7	CH-06B	GREASE C HAMBER BELOW SINK UNIT	1
8	CH-06C	MICRO OVEN	1
9	CH-07	VIS COOLER	1
10	CH-08	INSECT KILLER	1
11	CH-09	GARBAGE BIN	1
MAIN KITCHEN AREA			
12	K-01	CHINESE WOK ELEC TRIC	1
13	K-02	WORK TABLE WITH 2 U/S	1
14	K-03	WORK TABLE WITH U/C TRAY RACK	1
15	K-03A	RATIONAL COMBI OVEN	1
16	K-04	WORK TABLE WITH 2 U/S	1
17	K-05	4 BURNER COOKING RANGE WITH OVEN BELOW(ELECTRIC)	1
18	K-06	WORK TABLE WITH SINK UNIT WITH PERFORATED TRAY & FAUCET	1
19	K-06A	GREASE C HAMBER BELOW SINK UNIT	1
20	K-07	4 BURNER COOKING RANGE WITH OVEN BELOW(ELECTRIC)	1
21	K-08	WORK TABLE WITH 1 U/S	1
22	K-08A	TABLE TOP DEEP FAT FRYER	2
23	K-09	CHEST FREEZER	1
24	K-09A	MICRO OVEN	1
25	K-10	3 DOOR U/C REFRIGERATOR RAISED BAIN MARIE	1
26	K-11	3 DOOR U/C REFRIGERATOR	2
SOUTH INDIAN KITCHEN AREA			
27	LK-01	FRONT COUNTER	1
28	LK-01A	WATER BOILER FOR TEA	1
29	LK-01B	MILK BOLER	1
30	LK-01C	FILTER C OFFEE MACHINE	1
31	LK-02	FRONT COUNTER	1
32	LK-02A	TABLE TOP HOT PLATE	2
33	LK-02B	TABLE TOP AMBIENT BAIN MARIE 1/6 GN	1
34	LK-02C	4 DRAWER C HILLER	1
35	LK-02D	TABLE TOP AMBIENT BAIN MARIE 1/1 GN	1
36	LK-02E	SUNKEN SOUP TURIN	1
37	LK-03	SINGLE SINK UNIT WITH PERFORATED TRAY & FAUCET	1
38	LK-03A	GREASE C HAMBER BELOW SINK UNIT	1
39	LK-04	BAC K COUNTER	1
40	LK-04A	TABLE TOP IDLI STEAMER	1
41	LK-04B	2 DOOR U/C REFRIGERATOR	1
42	LK-04C	TABLE TOP DEEP FAT FRYER	1
43	LK-05	GARBAGE BIN	2
BIRYANI KITCHEN AREA			
44	BK-01	WORK TABLE WITH 2 U/S	1
45	BK-02	BHATURE FRYER	1
46	BK-03	FRY DUMP STATION WITH OIL DRAIN SYSTEM	1
47	BK-04	HOT BAIN MARIE WITH 1 U/S	1
48	BK-05	ROUND TYPE HOT BAIN MARIE WITH 1 U/S	1
49	BK-06	COLD BAIN MARIE 1/1 GN	1
50	BK-07	U/C CHILLER WITH GLASS DOOR	1
KEBABI KITCHEN AREA			
51	KK-01	WORK TABLE WITH 2 U/S	1
52	KK-01A	TABLE TOP ROUND TAWA	2
53	KK-02	WORK TABLE WITH 2 U/S	1
54	KK-03	TABLE TOP SUNKEN AMBIENT BAIN MARIE 1/6 GN	1
55	KK-04	WORK TABLE WITH 2 U/S	1
56	KK-04A	TABLE TOP ROOMALI TAWA	1
57	KK-05	ELEC TRIC TANDOO	2
58	KK-06	KEBAB TROLLEY WITH HANGING ROD	1
59	KK-07	SINGLE SINK UNIT WITH PERFORATED TRAY & FAUCET	1
60	KK-07A	NUGREEN GREASE TRAP	1
61	KK-08	3 DOOR U/C REFRIGERATOR	1
62	KK-09	KNEE OPERATED HAND WASH SINK	1
63	KK-10	3 DOOR BAC K BAR COOLER	1
64	KK-11	GARBAGE BIN	5
65	KK-12	INSECT KILLER	3
66	KK-13	FIRE EXTINGUISHER	1
LIQUOR STORE AREA			
67	LS-01	MS SLOTTED ANGLE RACK	2
68	LS-02	MS SLOTTED ANGLE RACK	1
69	LS-03	MS SLOTTED ANGLE RACK	2

01 EQUIPMENT LAYOUT PLAN
02GA-101 1:75

89	BA-06	U/C ICE CUBE MACHINE	1
90	BA-07	TABLE TOP COFFEE MACHINE WITH MILK BOILER	1
91	BA-08	SINGLE DOOR U/C BOTTLE COOLER	1
92	BA-08A	BLENDER	1
93	BA-09	INSECT KILLER	1
94	BA-10	C.O2 CYLINDER	2

DISH WASH AREA			
70	DW-01	DIRTY DISH LANDING WITH 1 OHS PERFORATED	1
71	DW-02	SINGLE SINK UNIT WITH FAUCET & DRAIN JAALI (FLR-CHR-5319NB)	1
72	DW-02A	PRE RINSE JET SPRAY	1
73	DW-02B	GREASE C HAMBER BELOW SINK UNIT	1
74	DW-03	DISH WASH MACHINE	1
75	DW-04	UNLOADING TABLE WITH U/C BASKET HOLDER	1
76	DW-05	C LEAN DISH RACK 5 SHELF PERFORATED	1
77	DW-06	POT RACK 5 SHELF	1
78	DW-07	INSECT KILLER	2
79	DW-08	GARBAGE BIN	1
80	DW-09	FIRE EXTINGUISHER	1

BAR AREA			
81	BA-01	POS STATION WITH U/C STORAGE CABINET	1
82	BA-02	COCKTAIL STATION WITH SINK & ICE CHEST & BOTTLE RAIL	1
83	BA-03	WORK TABLE WITH SINK	1
84	BA-03A	U/C GLASS WASH MACHINE	1
85	BA-03B	GREASE C HAMBER BELOW SINK UNIT	1
86	BA-04	4 SIDE OPEN TABLE	1
87	BA-04A	U/C BEER CHILLING MACHINE	1
88	BA-05	SMALL SINK	1

T01 09.01.24 TENDER HOD HOD
REV DATE DESCRIPTION DRN CHK

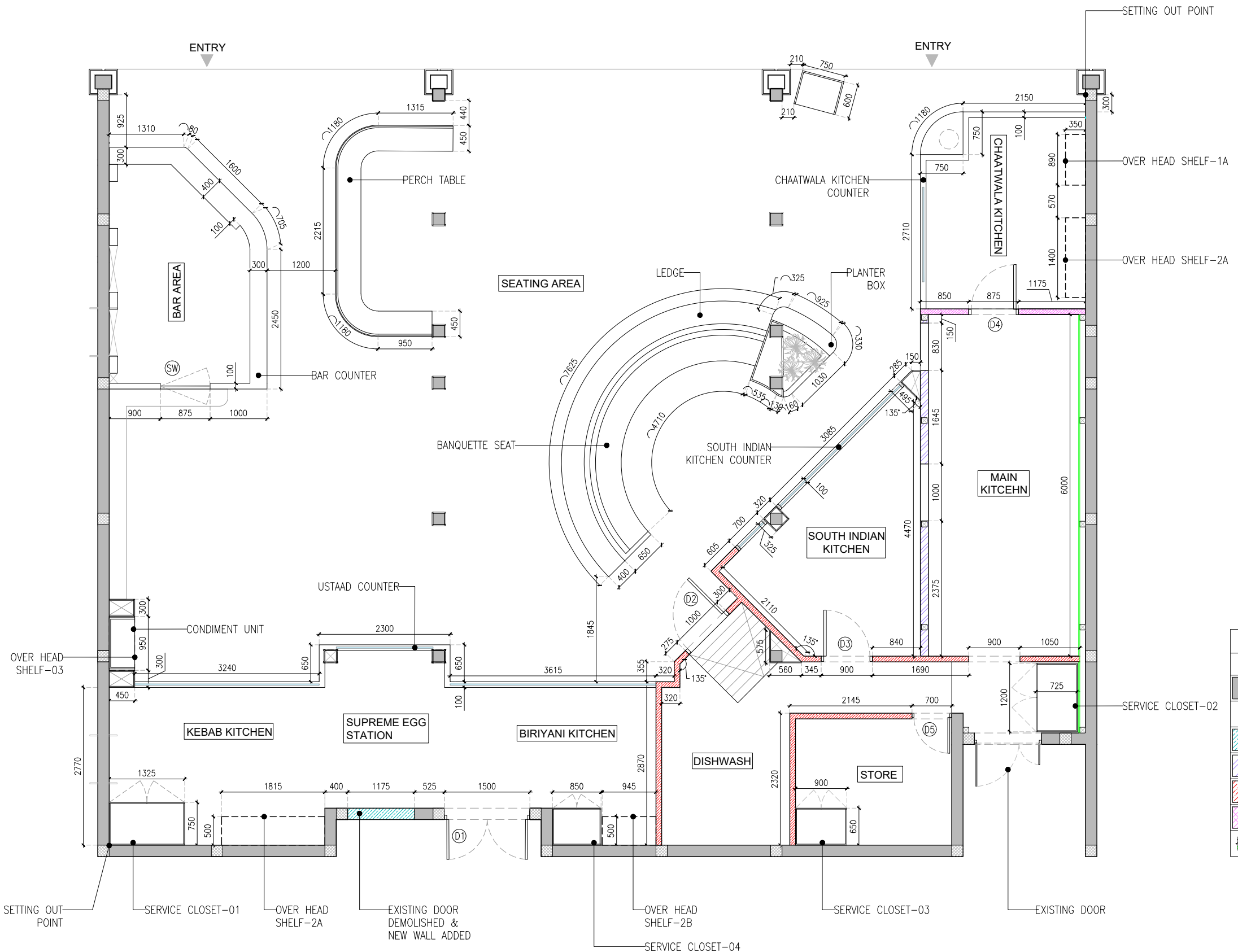


PROJECT
DILLI STREET
L5 LEVEL
T1 , IGI AIRPORT
DELHI

DRAWING TITLE
EQUIPMENT LAYOUT PLAN

SCALE 1:75 DATE 09.01.2024 DRAWN HOD A3 SHEET

STATUS
TENDER
ORG PROJECT NO DRAWING TYPE NUMBER REV
SSP 0000 02GA 101 T01



WALL LEGEND		
PATTERN	DESCRIPTION	HEIGHT
[Solid Grey]	EXISTING WALL/COLUMN	-
[Dotted Grey]	EXISTING COLUMN	-
[Blue Hatched]	PROPOSED 200MM THK DRY PARTITION WALL	MATCH TO EXISTING WALL
[Purple Hatched]	PROPOSED 140MM THK DRY PARTITION WALL	+4690 MM
[Red Hatched]	PROPOSED 100MM THK DRY PARTITION WALL	+3250 MM
[Pink Hatched]	PROPOSED 100MM THK DRY PARTITION WALL	+3900 MM
[Green Hatched]	PROPOSED 120MM THK WALL PANEL	+3900 MM

T01 09.01.24 TENDER HOD HOD
REV DATE DESCRIPTION DRN CHK



PROJECT
**DILLI STREET
L5 LEVEL
T1 , IGI AIRPORT
DELHI**

DRAWING TITLE

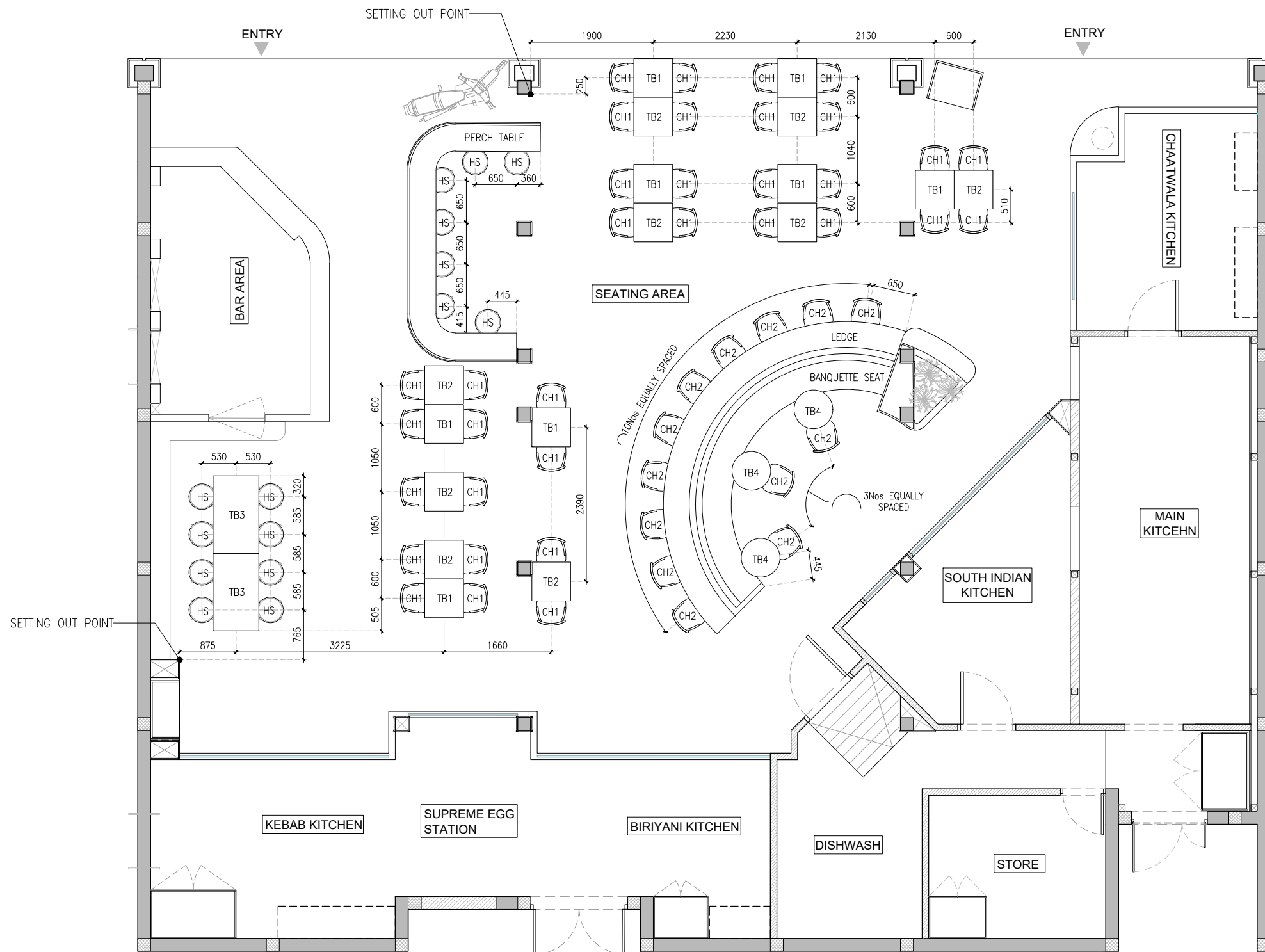
SETTING OUT PLAN

SCALE 1:75 DATE 09.01.2024 DRAWN HOD A3 SHEET

STATUS
TENDER

ORG PROJECT NO DRAWING TYPE NUMBER REV
SSP 0000 02GA 102 T01

01 SETTING OUT PLAN
02GA-102 1:75



FURNITURE LEGEND			
SL.NO	CODE	DESCRIPTION	COUNT
01	TB1	SQUARE TABLE-01	08
02	TB2	SQUARE TABLE-02	09
03	TB3	RECTANGULAR TABLE	02
04	TB4	CIRCULAR TABLE	03
05	CH1	DINING CHAIR-01	34
06	CH2	DINING CHAIR-02	13
07	HS	HIGH STOOL	15
TOTAL			67

T01 09.01.24 TENDER HOD HOD
REV DATE DESCRIPTION DRN CHK



PROJECT
DILLI STREET
L5 LEVEL
T1 , IGI AIRPORT
DELHI

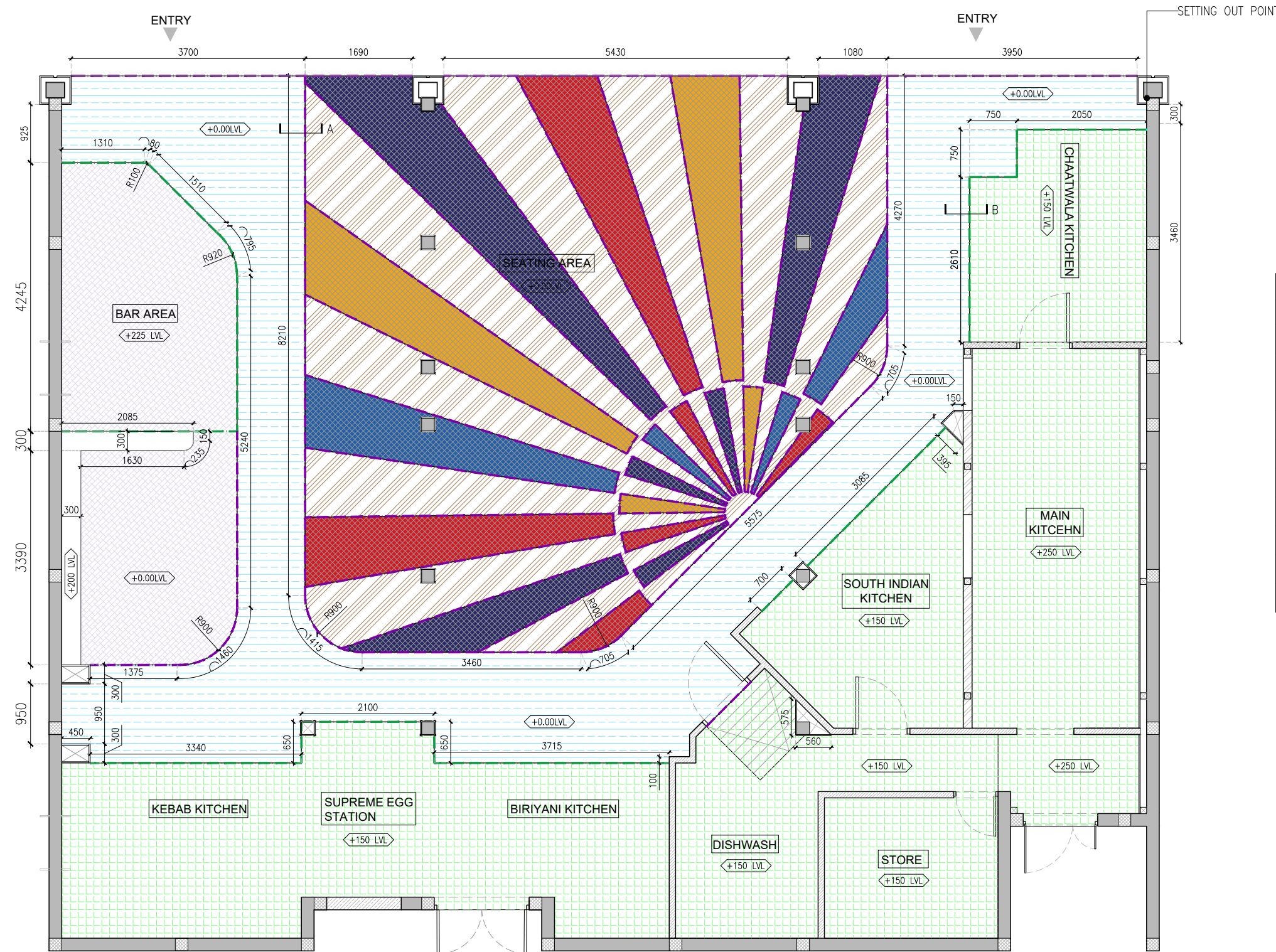
DRAWING TITLE
FURNITURE SETTING OUT PLAN

SCALE 1:75 DATE 09.01.2024 DRAWN HOD A3 SHEET

STATUS
TENDER

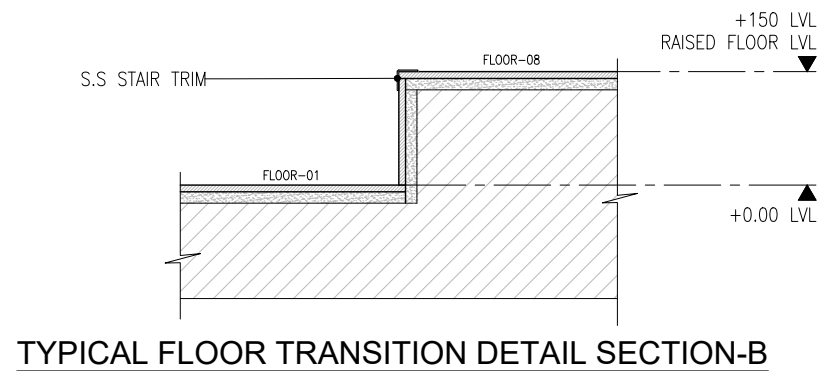
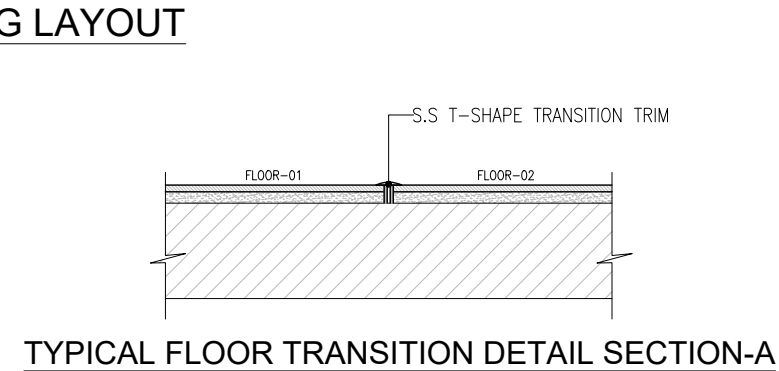
ORG PROJECT NO DRAWING TYPE NUMBER REV
SSP 0000 02GA 103 T01

01 FURNITURE SETTING OUT PLAN
02GA-103 1:75



SL.NO	CODE	PATTERN	DESCRIPTION	AREA/LENGTH
01	FL01	[Pattern]	600X600MM DECORO LUX RECTIFIED TILE	47.79M ²
02	FL02	[Pattern]	600X1200MM CONCRETE CHARCOAL	36.76M ²
03	FL03	[Pattern]	600X600MM CEMENT MOSAIC TILE	19.16M ²
04	FL04	[Pattern]	100X100MM NEW BLUE CERAMIC TILE	5.41M ²
05	FL05	[Pattern]	100X100MM ROYAL BLUE CERAMIC TILE	12.71M ²
06	FL06	[Pattern]	100X100MM MANGO YELLOW COLOUR TILE	8.86M ²
07	FL07	[Pattern]	100X100MM RED COLOUR CERAMIC TILE	8.98M ²
08	FL08	[Pattern]	600X600MM GREY COLOUR ANTI SKID CERAMIC TILE	80.50M ²
09	FL09	[Pattern]	S.S 304 GRADE T-SHAPE TRANSITION TRIM	176.35M
10	FL10	[Pattern]	S.S STAIR TRIM	29.32M

01 FLOORING LAYOUT
02GA-104 1:75



T01 09.01.24 TENDER HOD HOD
REV DATE DESCRIPTION DRN CHK



PROJECT
**DILLI STREET
L5 LEVEL
T1 , IGI AIRPORT
DELHI**

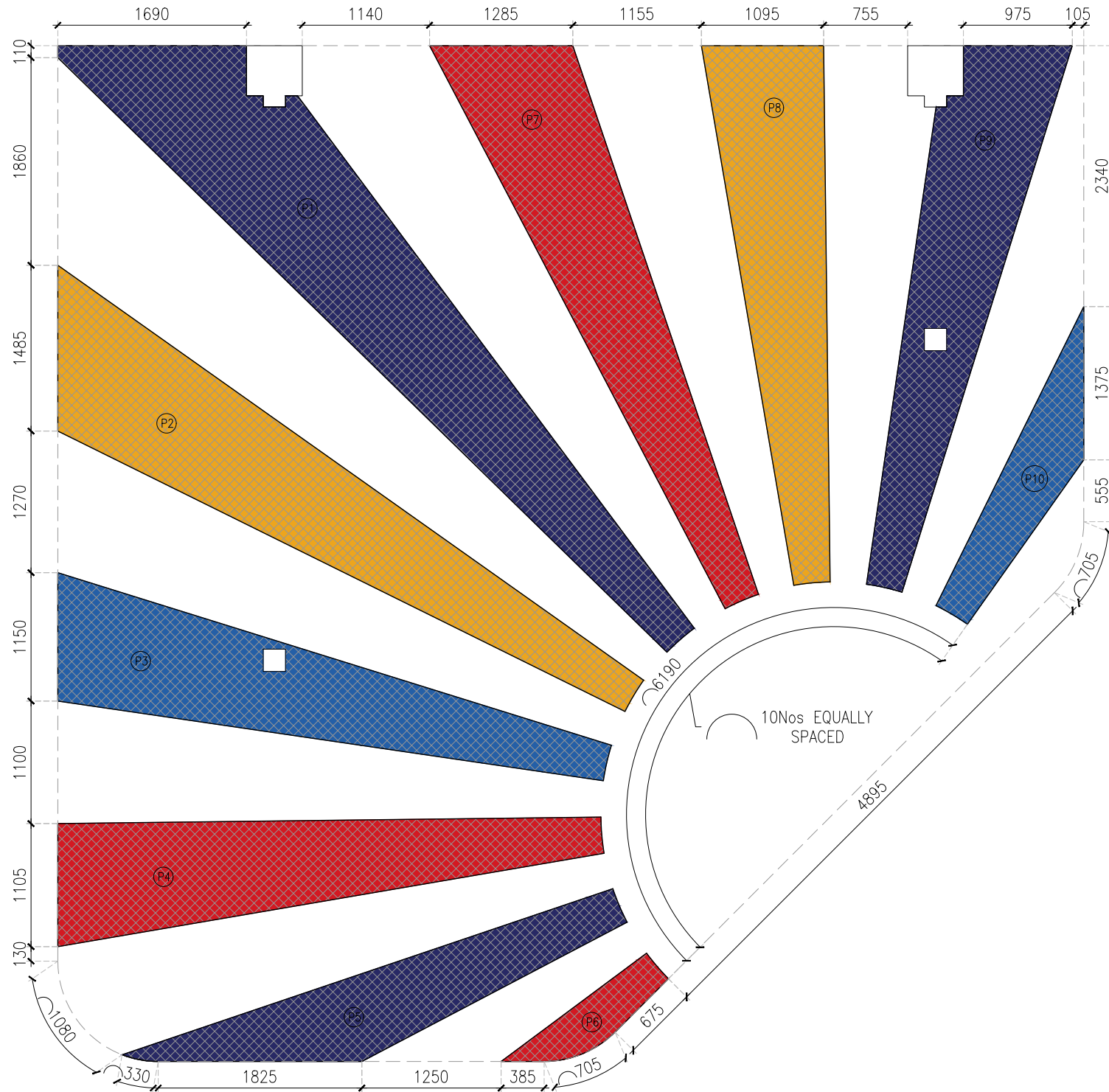
DRAWING TITLE

FLOORING LAYOUT

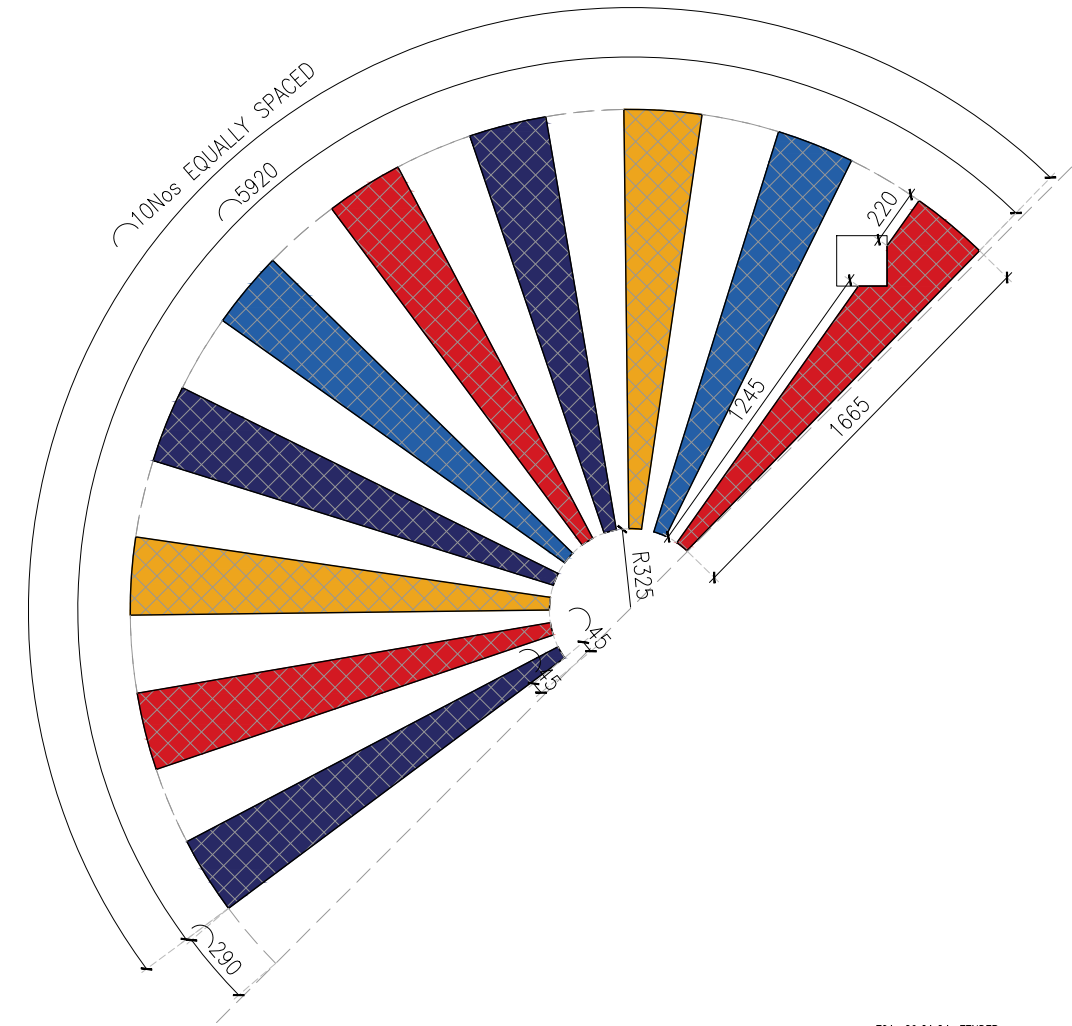
SCALE 1:75 DATE 09.01.2024 DRAWN HOD A3 SHEET

STATUS
TENDER

ORG PROJECT NO DRAWING TYPE NUMBER REV
SSP 0000 02GA 104 T01



01 FLOORING DETAIL: PART-01
02GA-105/ 1:50



02 FLOORING DETAIL: PART-02
02GA-105/ 1:30

FLOORING LEGEND			
SL.NO	CODE	PATTERN	DESCRIPTION
01	FL04		100X100MM NEW BLUE CERAMIC TILE
02	FL05		100X100MM ROYAL BLUE CERAMIC TILE
03	FL06		100X100MM MANGO YELLOW COLOUR TILE
04	FL07		100X100MM RED COLOUR CERAMIC TILE

REV	DATE	DESCRIPTION	HOD	CHK
T01	09.01.24	TENDER	HOD	HOD



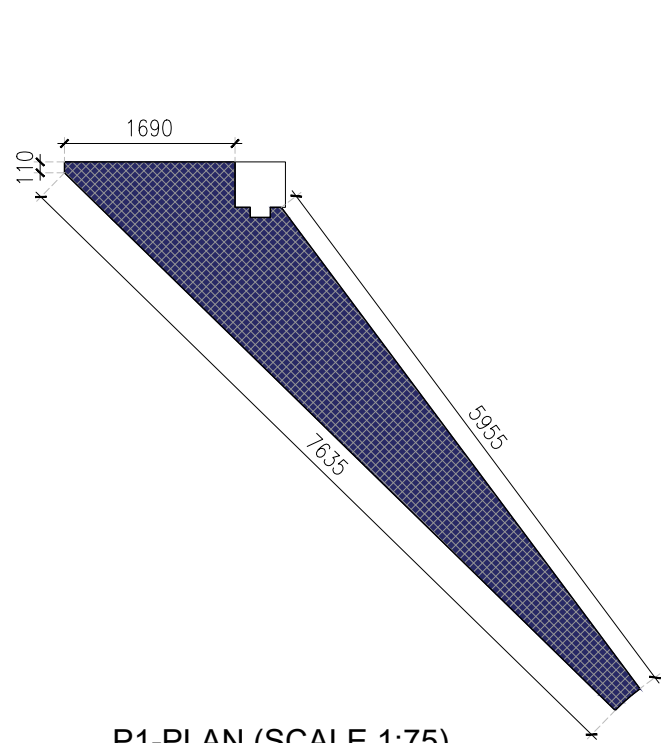
PROJECT
**DILLI STREET
L5 LEVEL
T1 , IGI AIRPORT
DELHI**

DRAWING TITLE
FLOORING DETAIL:PART-A

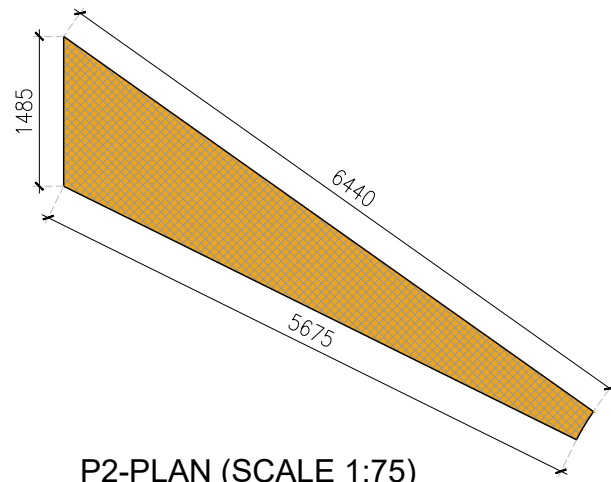
SCALE AS MENTIONED DATE 09.01.2024 DRAWN HOD A3 SHEET

STATUS
TENDER

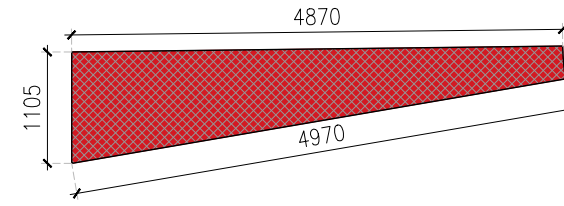
ORG	PROJECT NO	DRAWING TYPE	NUMBER	REV
SSP	0000	02GA	105	T01



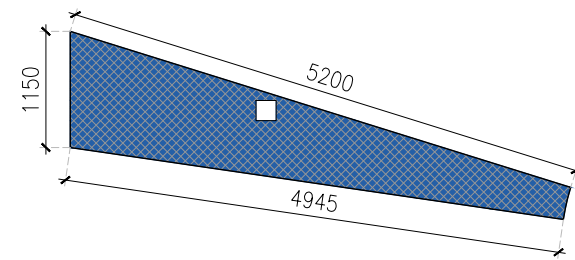
P1-PLAN (SCALE 1:75)



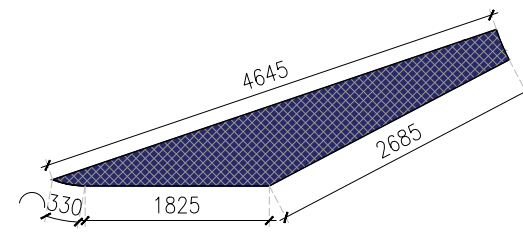
P2-PLAN (SCALE 1:75)



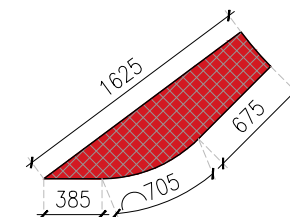
P4-PLAN (SCALE 1:75)



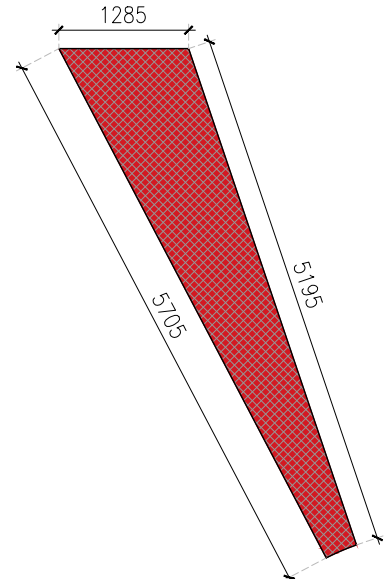
P3-PLAN (SCALE 1:75)



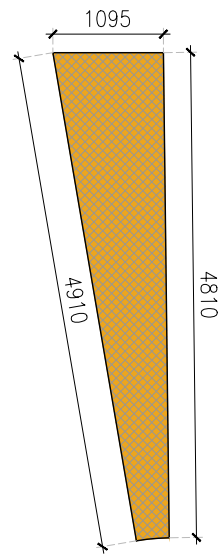
P5-PLAN (SCALE 1:75)



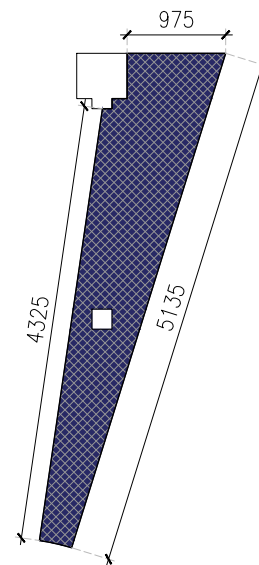
P6-PLAN (SCALE 1:50)



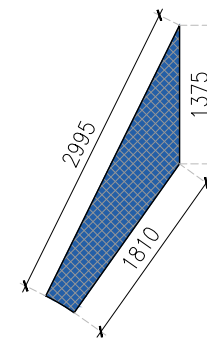
P7-PLAN (SCALE 1:75)



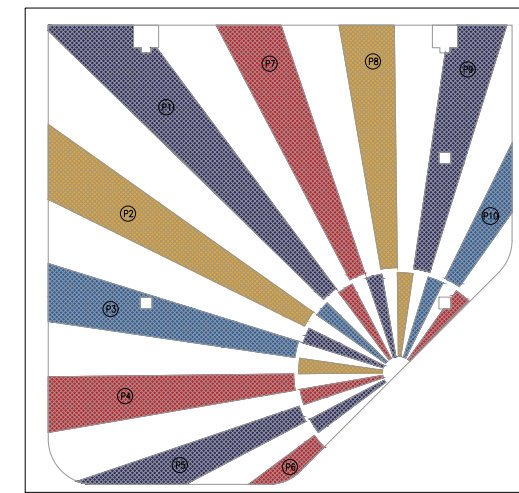
P8-PLAN (SCALE 1:75)



P9-PLAN (SCALE 1:75)



P10-PLAN (SCALE 1:75)



KEYPLAN

T01	09.01.24	TENDER	HOD	HOD
REV	DATE	DESCRIPTION	DRN	CHK



PROJECT
DILLI STREET
L5 LEVEL
T1 , IGI AIRPORT
DELHI

DRAWING TITLE

FLOORING DETAIL:PART-B

SCALE AS MENTIONED DATE 09.01.2024 DRAWN HOD A3 SHEET

STATUS

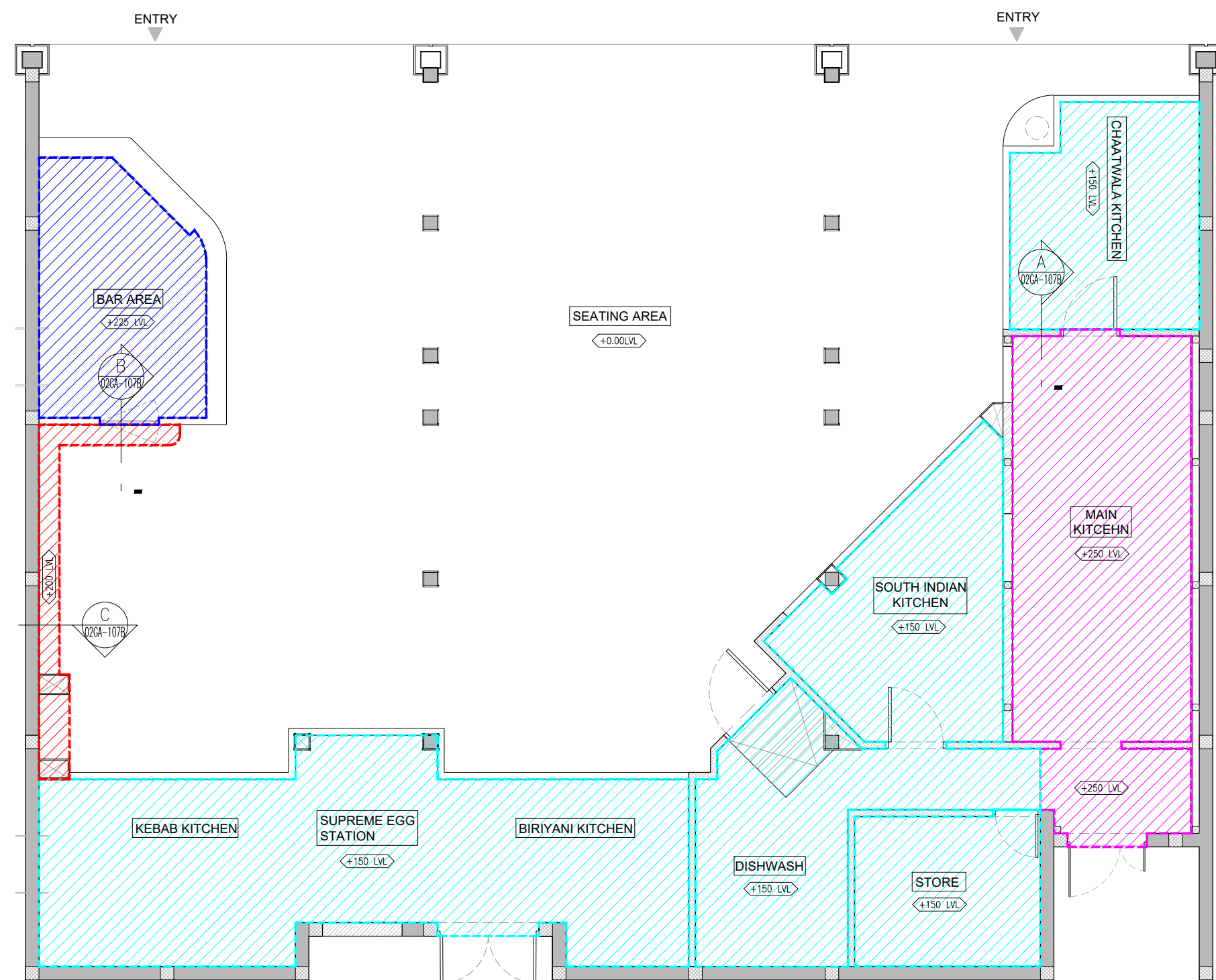
TENDER



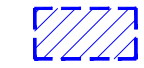
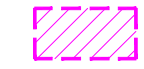
ORG	PROJECT NO	DRAWING TYPE	NUMBER	REV
SSP	0000	02GA	106	T01

01 FLOORING DETAIL:PART-B

02GA-106

ALL DIMENSIONS MUST BE CHECKED ON SITE
INFORM THE ARCHITECT OF ANY DISCREPANCIES PRIOR TO CONSTRUCTION



-  +150MM RISED FLOOR LEVEL
-  +200MM RISED FLOOR LEVEL
-  +225MM RISED FLOOR LEVEL
-  +250MM RISED FLOOR LEVEL

TOTAL AREA TO BE WATER PROOFED
= 161M2

T01	09.01.24	TENDER	HOD	HOD
REV	DATE	DESCRIPTION	DRN	CHK



01 RAISED FLOOR & WATER PROOFING LAYOUT
02GA-107A 1:75

PROJECT
DILLI STREET
L5 LEVEL
T1 , IGI AIRPORT
DELHI

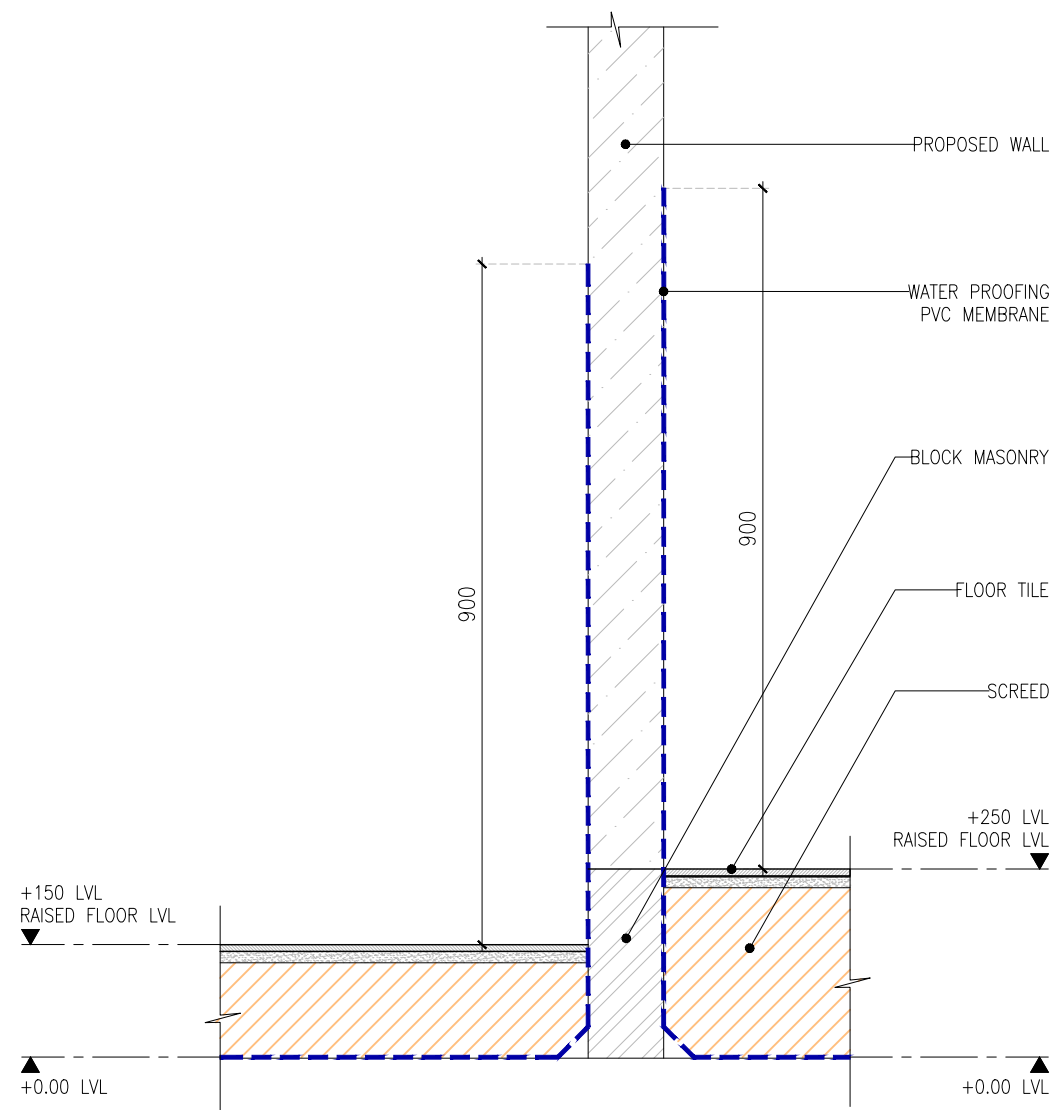
DRAWING TITLE
RAISED FLOOR & WATER PROOFING
LAYOUT

SCALE 1:75 DATE 09.01.2024 DRAWN HOD A3 SHEET

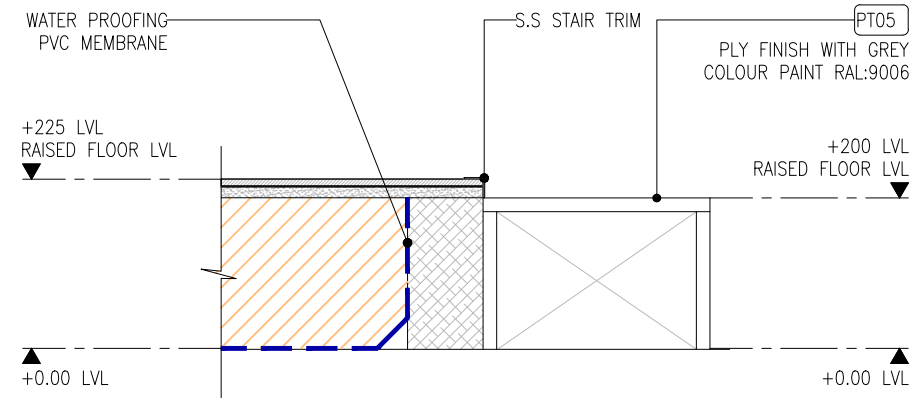
STATUS
TENDER

ORG	PROJECT NO	DRAWING TYPE	NUMBER	REV
SSP	0000	02GA	107A	T01

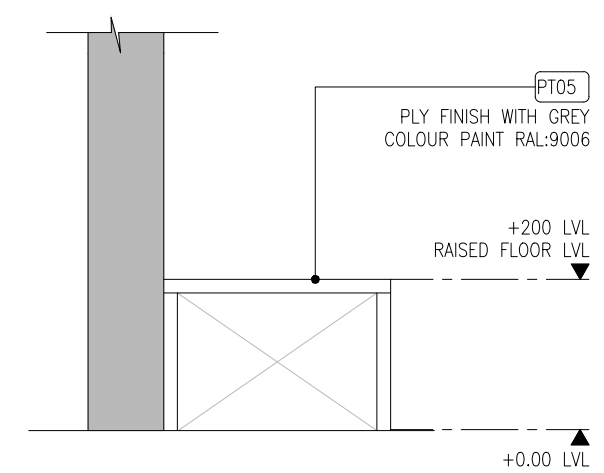
ALL DIMENSIONS MUST BE CHECKED ON SITE
INFORM THE ARCHITECT OF ANY DISCREPANCIES PRIOR TO CONSTRUCTION



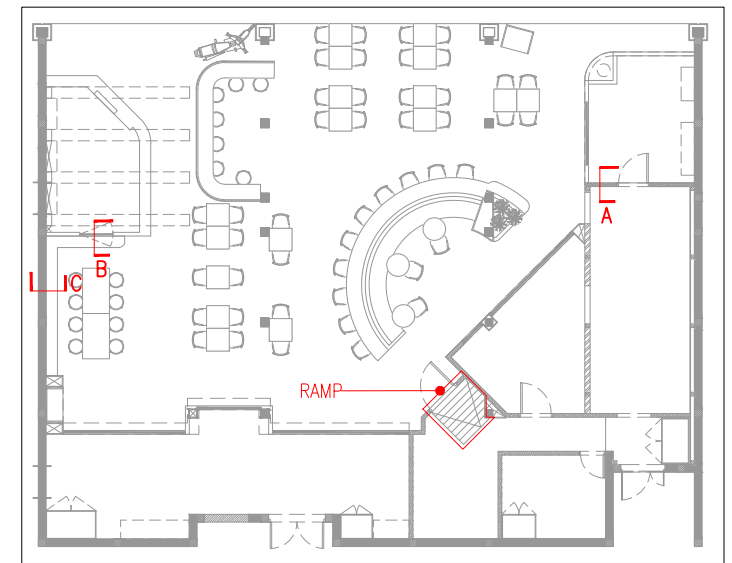
01 SECTION-A
02GA-107B 1:10



02 SECTION-B
02GA-107B 1:10



03 SECTION-C
02GA-107B 1:10



KEYPLAN

T01	09.01.24	TENDER	HOD	HOD
REV	DATE	DESCRIPTION	DRN	CHK



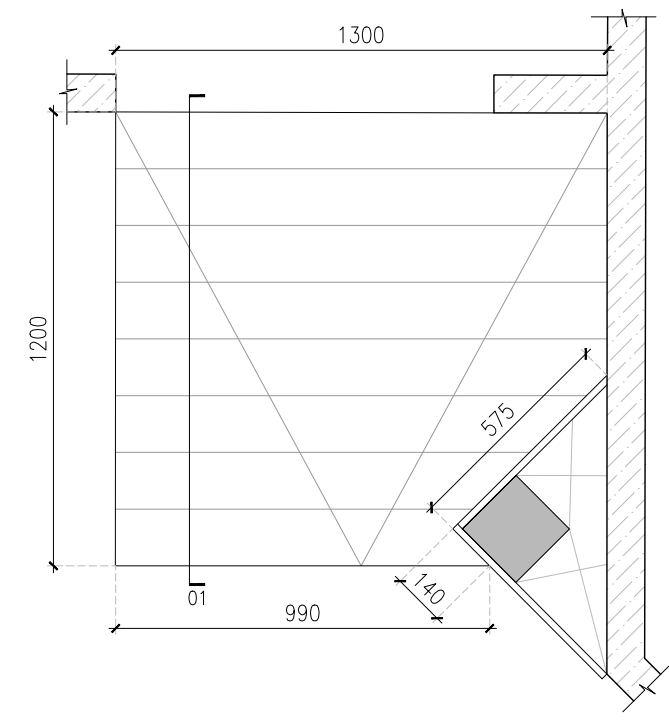
PROJECT
DILLI STREET
L5 LEVEL
T1, IGI AIRPORT
DELHI

DRAWING TITLE
RAISED FLOOR SECTIONS
& RAMP DETAIL

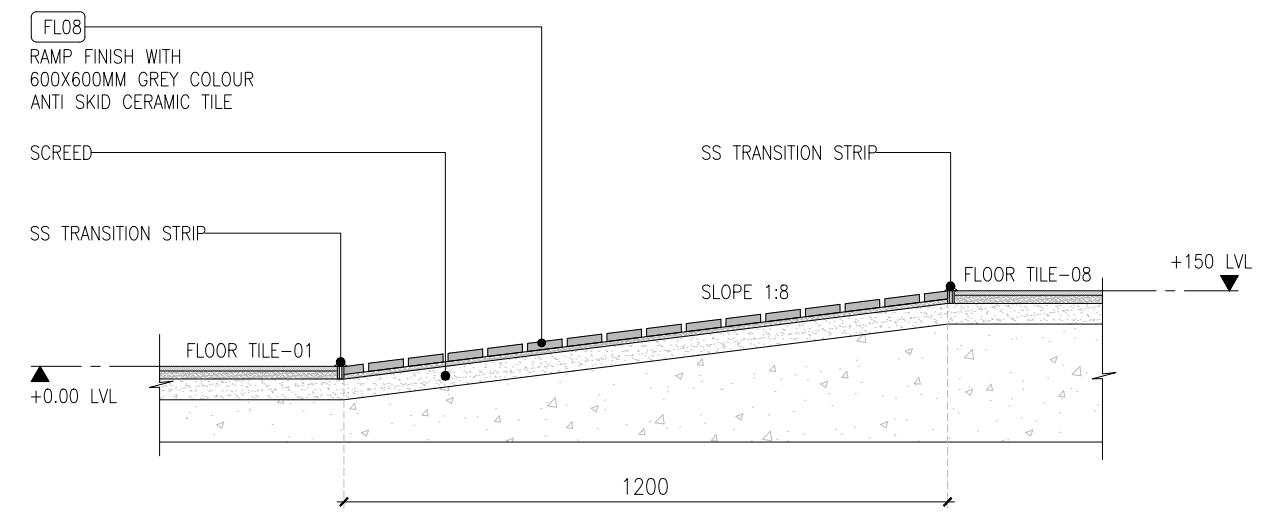
SCALE AS MENTIONED DATE 09.01.2024 DRAWN HOD A3 SHEET

STATUS
TENDER

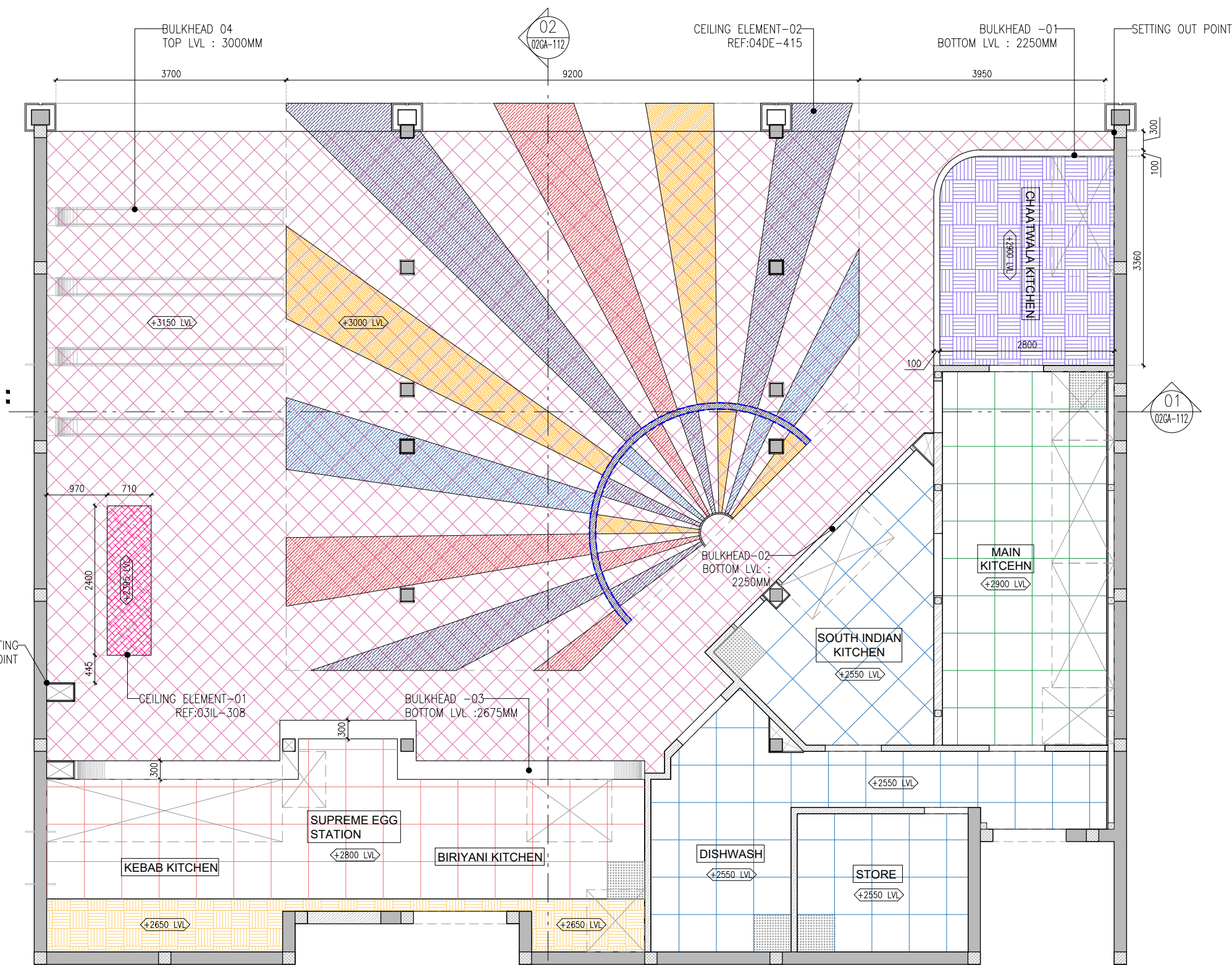
ORG PROJECT NO DRAWING TYPE NUMBER REV
SSP 0000 02GA 107B T01



04 RAMP DETAIL
02GA-107B 1:20



SECTION-01 (SCALE 1:15)



CEILING LEGEND				
CODE	PATTERN	TYPE	BOTTOM OF CEILING(MM)	AREA (SQ.M)
CL01		600x600MM METAL GRID CEILING	+2800 MM	19.21M ²
CL01A		600x600MM METAL GRID CEILING	+2550 MM	29.64M ²
CL01B		600x600MM METAL GRID CEILING	+2900 MM	16.83M ²
CL02		GYPSUM CEILING	+2900 MM	12.04M ²
CL02A		GYPSUM CEILING	+2650 MM	5.56M ²
CL03		METAL MESH	+3150 MM	130.00M ²
CL04		CEILING ELEMENT-01	+3000 MM	-
CL05		CEILING ELEMENT-02	+2395 MM	-
-		GRID STARTING POINT	-	-
-		EXHAUST HOOD	-	-

T01 09.01.24 TENDER HOD NM
REV DATE DESCRIPTION DRN CHK



01 RCP LAYOUT
02GA-108 1:75

PROJECT
DILLI STREET
L5 LEVEL
T1 , IGI AIRPORT
DELHI

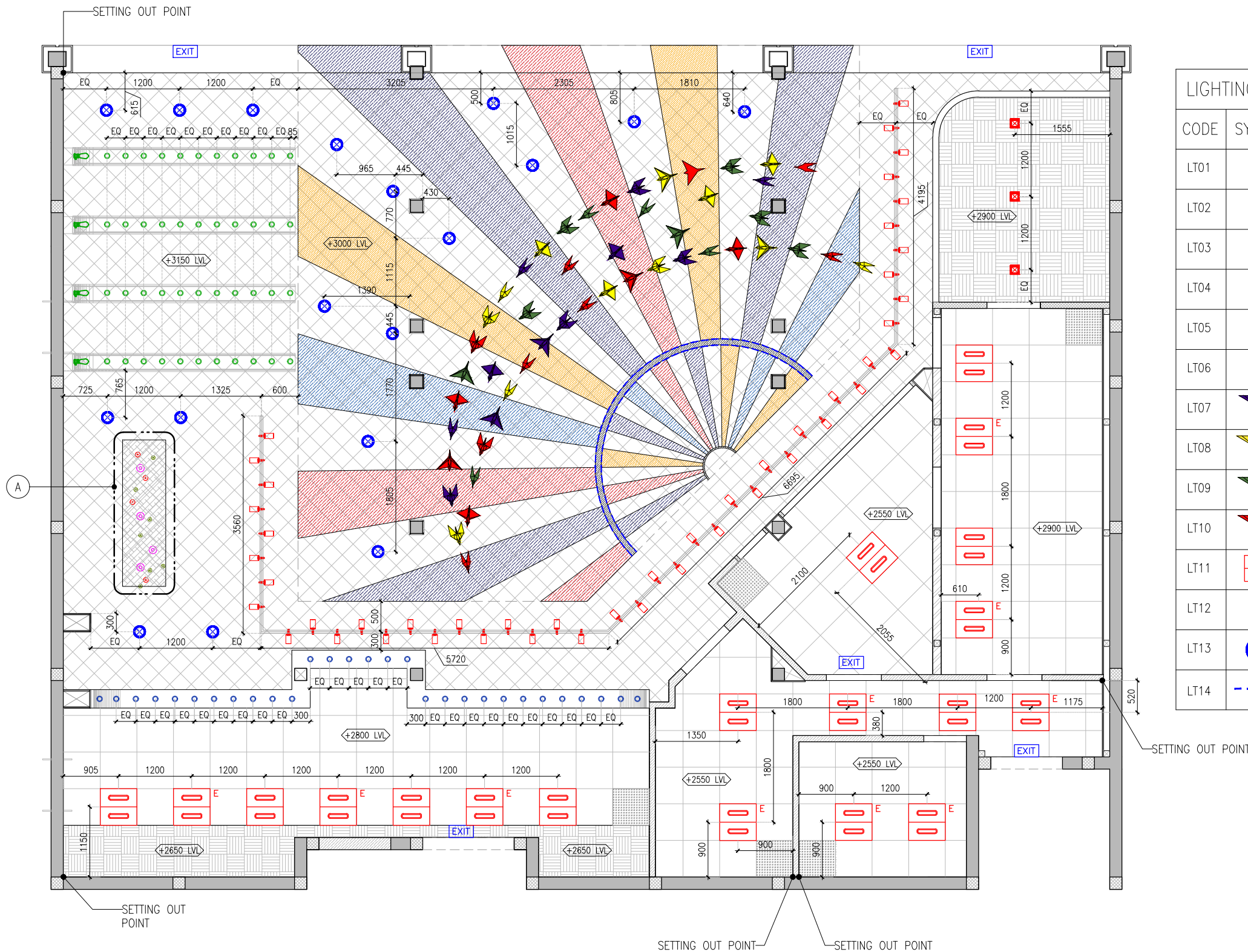
DRAWING TITLE

RCP LAYOUT

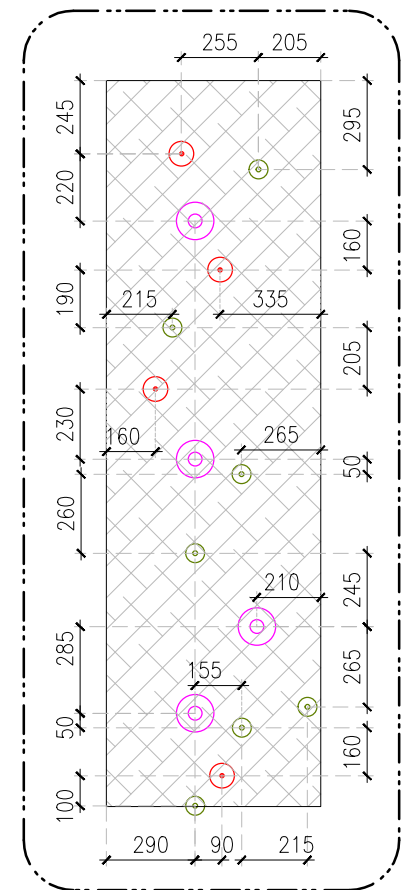
SCALE 1:75 DATE 09.01.2024 DRAWN HOD A3 SHEET

STATUS
TENDER

ORG PROJECT NO DRAWING TYPE NUMBER REV
TFS 0000 02GA 108 T01



LIGHTING LEGEND			
CODE	SYMBOL	TYPE	COUNT
LT01		TRACK LIGHT	47Nos
LT02		EDISON DOWN LIGHT	64Nos
LT03		LED GLOBE LIGHT	36Nos
LT04		PENDANT LIGHT-01	04Nos
LT05		PENDANT LIGHT-02	04Nos
LT06		PENDANT LIGHT-03	07Nos
LT07		BIRD SHAPE PENDANT LIGHT-01	11Nos
LT08		BIRD SHAPE PENDANT LIGHT-02	12Nos
LT09		BIRD SHAPE PENDANT LIGHT-03	11Nos
LT10		BIRD SHAPE PENDANT LIGHT-04	15Nos
LT11		600X600MM RECESSED PANEL LIGHT	19Nos
LT12		OCTANE SQUARE LED PANEL LIGHT	03Nos
LT13		OCTANE ROUND LED PANEL LIGHT	18Nos
LT14		LED STRIP LIGHT	12.46M



DETAIL-A (SCALE 1:25)

01 LIGHTING LAYOUT
02GA-109 1:75

T01 09.01.24 TENDER HOD NM
REV DATE DESCRIPTION DRN CHK



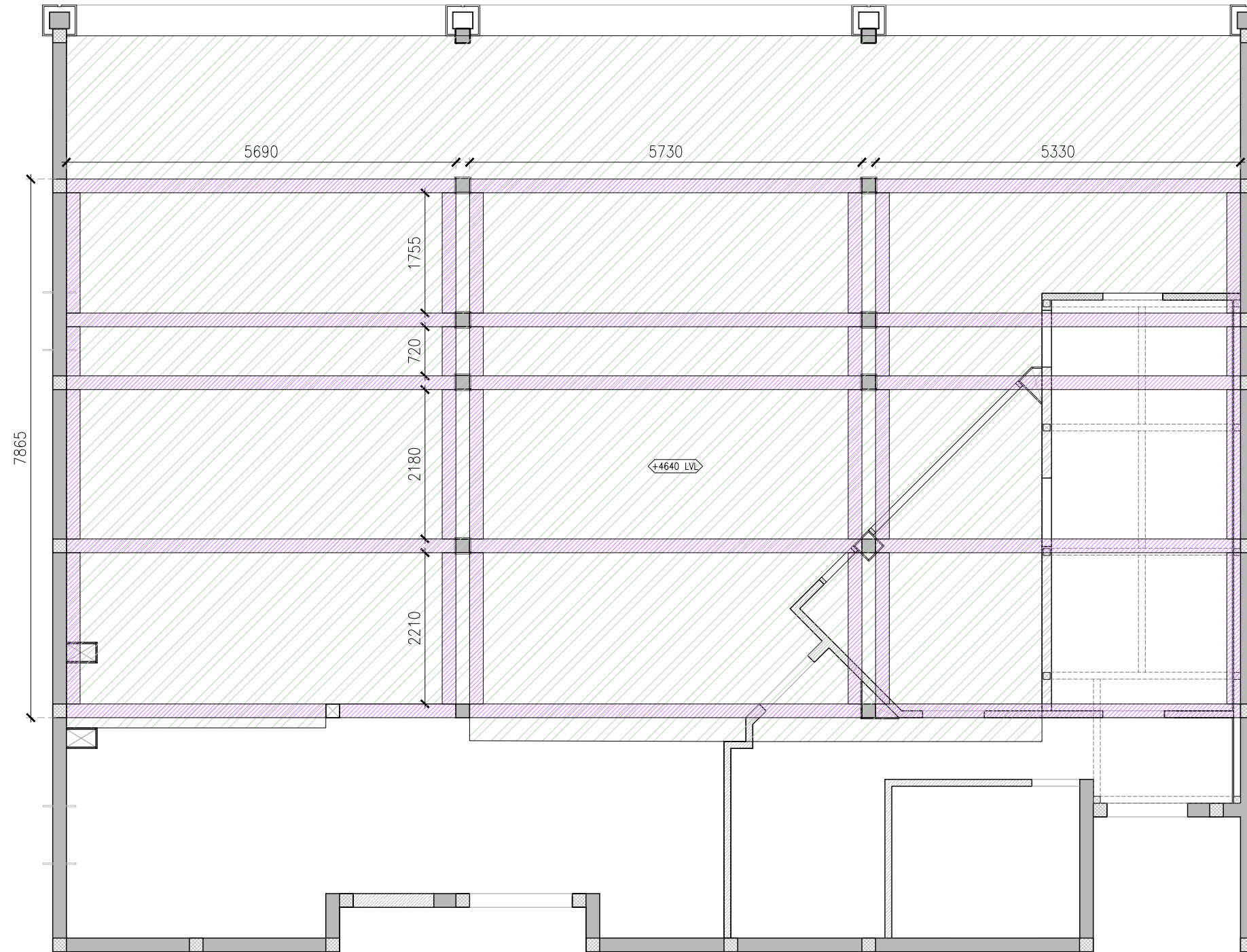
PROJECT
DILLI STREET
L5 LEVEL
T1 , IGI AIRPORT
DELHI

DRAWING TITLE
LIGHTING LAYOUT

SCALE AS MENTIONED DATE 09.01.2024 DRAWN HOD A3 SHEET

STATUS
TENDER

ORG PROJECT NO DRAWING TYPE NUMBER REV
TFS 0000 02GA 109 T01



01 SECONDARY CEILING LAYOUT
02GA-110 1:75

CEILING LEGEND				
CODE	SYMBOL	TYPE	BOTTOM OF CEILING(MM)	AREA
CL01		SECONDARY GYPSUM CEILING	+4640 (TO BE VERIFIED)	156M ²
-		200x100MM MS FRAME	-	-

REV	DATE	DESCRIPTION	HOD	NM
T01	09.01.24	TENDER		



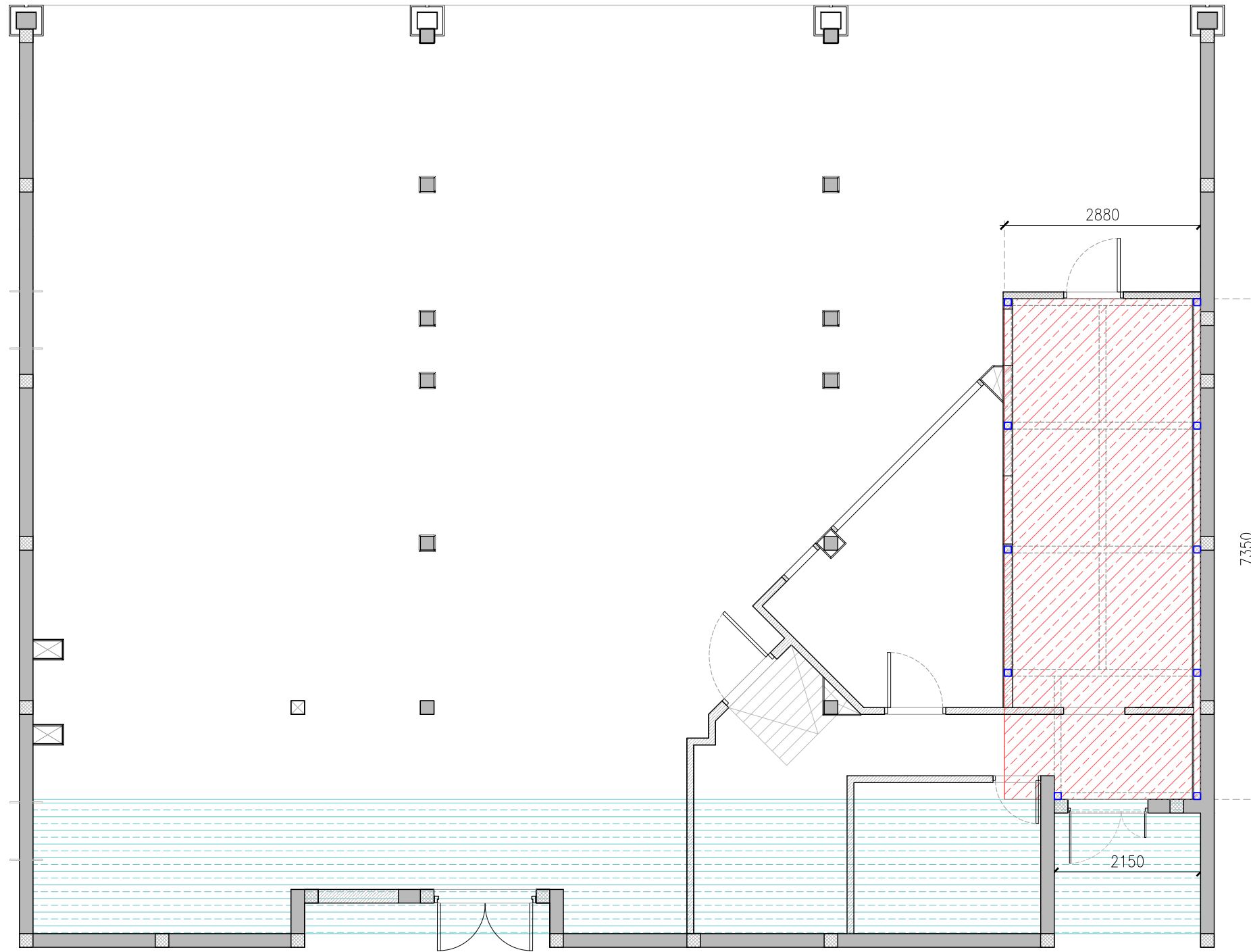
PROJECT
DILLI STREET
L5 LEVEL
T1 , IGI AIRPORT
DELHI

DRAWING TITLE
SECONDARY CEILING LAYOUT

SCALE 1:75 DATE 09.01.2024 DRAWN HOD A3 SHEET

STATUS
TENDER

ORG	PROJECT NO	DRAWING TYPE	NUMBER	REV
TFS	0000	02GA	110	T01

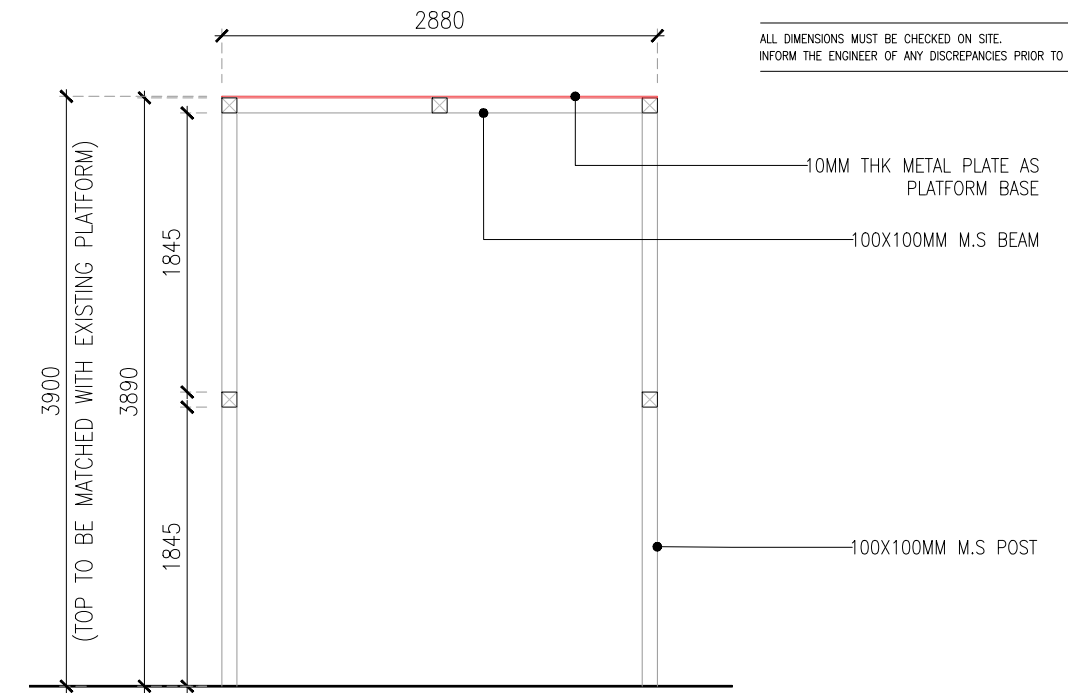


PROPOSED PLATFORM LAYOUT (SCALE 1:75)

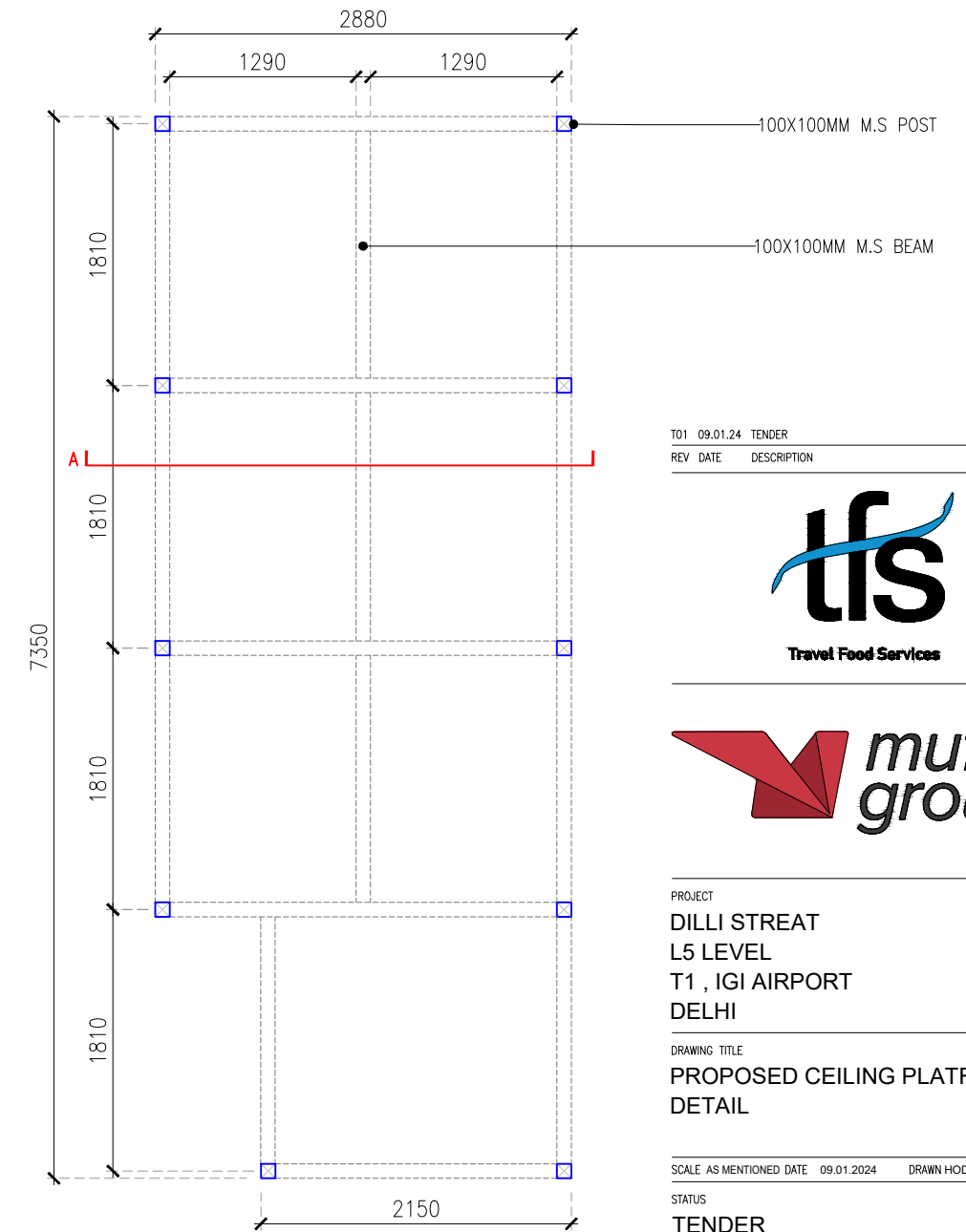
PLATFORM LEGEND	
PATTERN	DESCRIPTION
	EXISTING PLATFORM
	PROPOSED PLATFORM
	100X100MM M.S POST

NOTE:-STRUCTURAL DRAWINGS / SIZES ARE INDICATIVE AND TO CONVEY DESIGN INTENT ONLY.

01 PROPOSED CEILING PLATFORM DETAIL
02GA-111 1:75



SECTION-A (SCALE 1:50)



FRAMMING PLAN @2000MM LVL (SCALE 1:50)

ALL DIMENSIONS MUST BE CHECKED ON SITE. INFORM THE ENGINEER OF ANY DISCREPANCIES PRIOR TO CONSTRUCTION.

T01	09.01.24	TENDER	HOD	NM
REV	DATE	DESCRIPTION	DRN	CHK



PROJECT
DILLI STREET
L5 LEVEL
T1 , IGI AIRPORT
DELHI

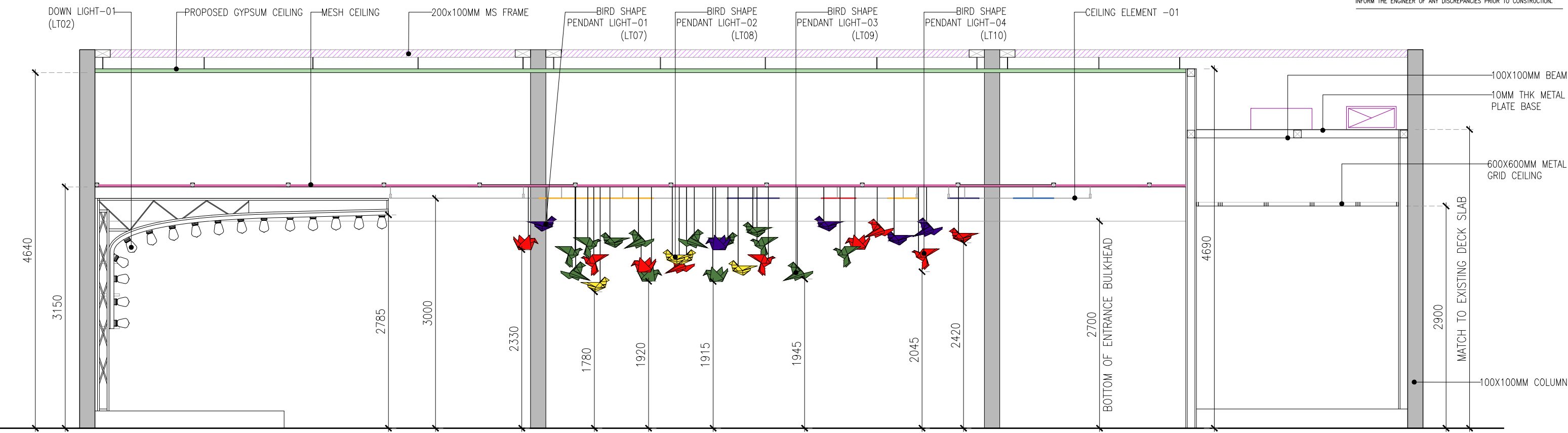
DRAWING TITLE
PROPOSED CEILING PLATFORM
DETAIL

SCALE AS MENTIONED DATE 09.01.2024 DRAWN HOD A3 SHEET

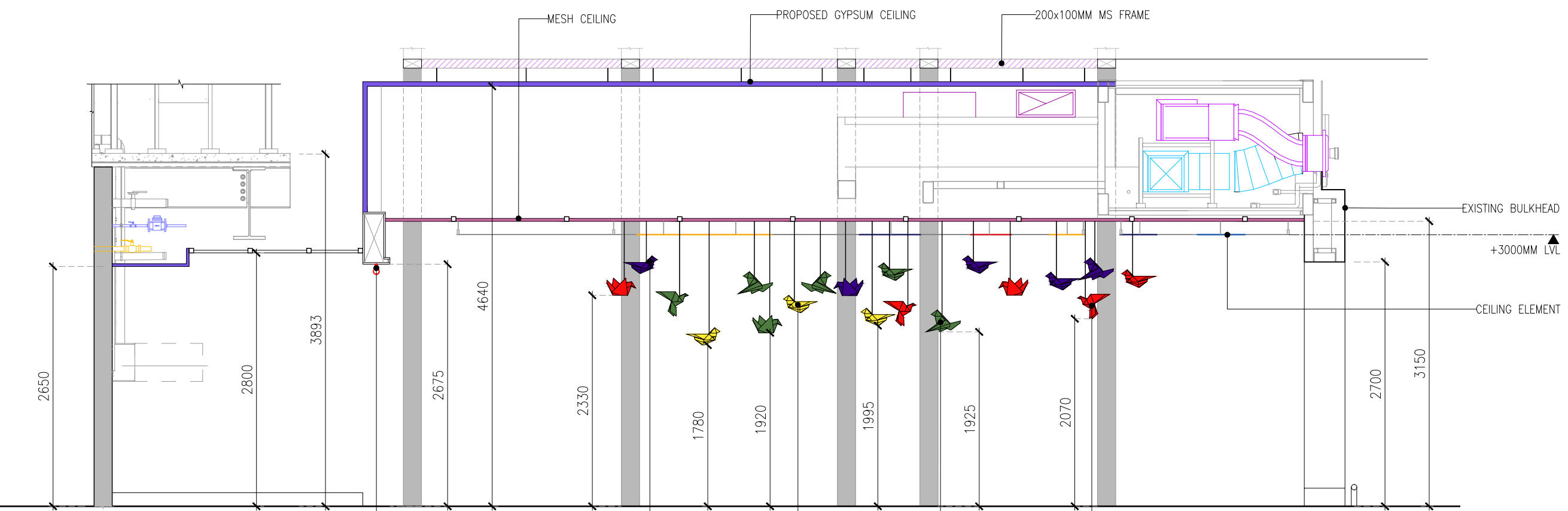
STATUS
TENDER

ORG	PROJECT NO	DRAWING TYPE	NUMBER	REV
TFS	0000	02GA	111	T01

ALL DIMENSIONS MUST BE CHECKED ON SITE.
INFORM THE ENGINEER OF ANY DISCREPANCIES PRIOR TO CONSTRUCTION.



01 SECTION-01
02GA-112 1:50



02 SECTION-02
02GA-112 1:50

T01	09.01.24	TENDER	HOD	NM
REV	DATE	DESCRIPTION	DRN	CHK



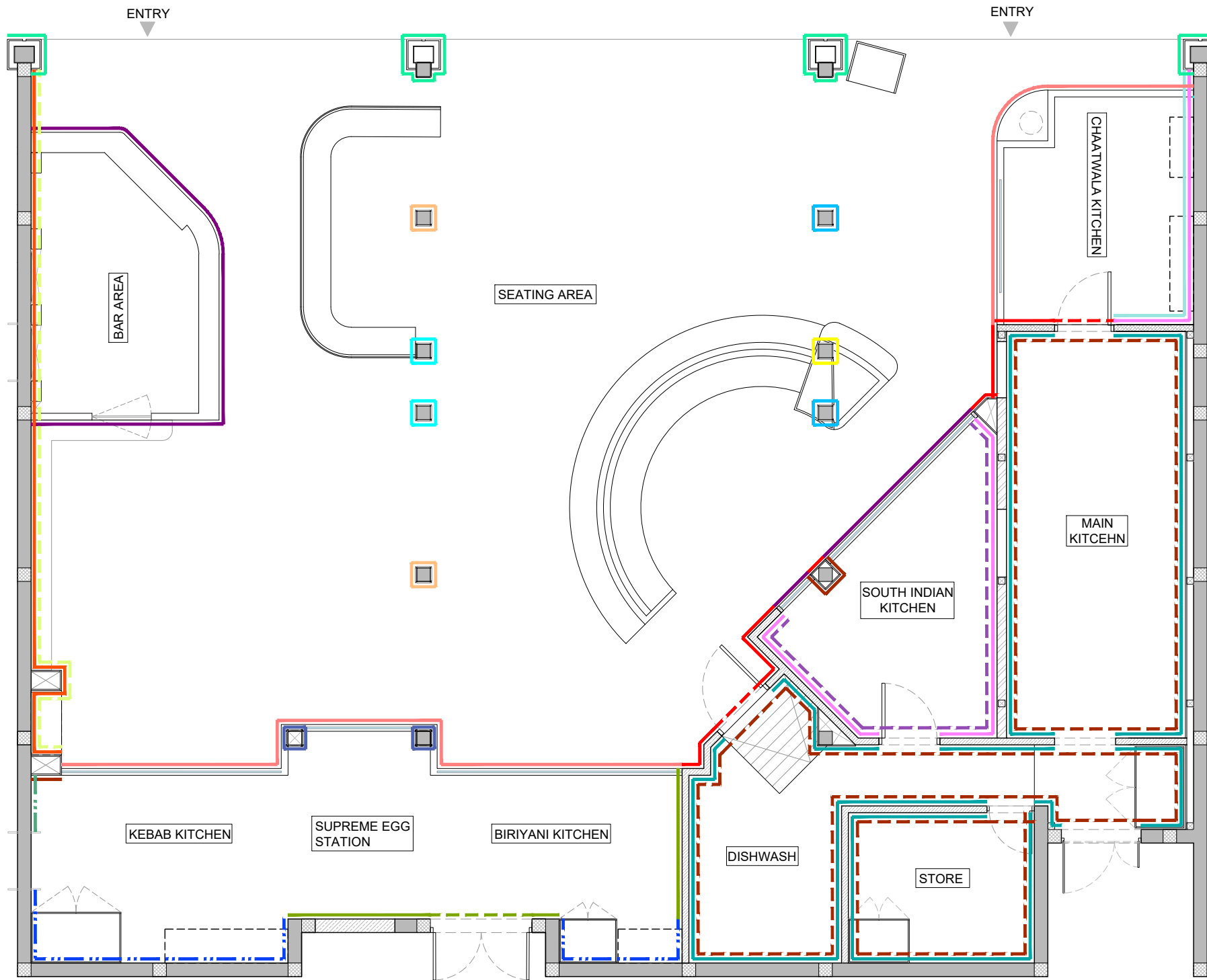
PROJECT
DILLI STREET
L5 LEVEL
T1 , IGI AIRPORT
DELHI

DRAWING TITLE
RCP-SECTION-01 & 02

SCALE	DATE	09.01.2024	DRAWN	HOD	A3	SHEET
-------	------	------------	-------	-----	----	-------

STATUS
TENDER

ORG	PROJECT NO	DRAWING TYPE	NUMBER	REV
TFS	0000	02GA	112	T01



WALL FINISHES LEGEND		
SYMBOL	FINISH	SURFACE
	WT04 100X300M WHITE TILE WITH BEVELED EDGES	WALL, BOX
	PT02 SYRUP COLOUR PAINT WITH GREY COLOUR CEMENT TEXTURED COLOUR TO MATCH WITH PANTONE: P 36-3 U	WALL, BOX
	PT05 GREY COLOUR PAINT RAL:9006	BOX
	PAINT & TILE FINISH AS PER FINISH CODE WT04 & PT02 (WT04 UPTO 1620MM HEIGHT FROM TOP OF SKIRTING & PT02 ABOVE)	WALL
	PAINT & TILE FINISH AS PER FINISH CODE PT05, WT06, WT07 & WT08 (WT08 UPTO 1650MM HEIGHT FROM TOP OF SKIRTING & WT06, WT07 ABOVE)	WALL
	PT03 GREY COLOUR CEMENT TEXTURE PAINT	WALL
	WT01 215X65X23MM THK BRICK CLADING AND SEMI WHITE CEMENT PLASTERING FOR RUSTIC LOOK, FINISHED WHITE PAINT-PT01 & WHITE-RAL:9003 GROUT	WALL
	WT06 ORANGE COLOUR LANTERN HAND MADE MOSAIC TILE	WALL
	WT07 RED COLOUR LANTERN HAND MADE MOSAIC TILE	WALL
	WT05 330x330x8.5MM THICK WHITE CERAMIC TILE	WALL (BOH)
	PT07 BROWN COLOR PAINT RAL:8007	FRONT FASCIA (COUNTERS)
	WT02 215X65X23MM THK BRICK CLADING WITH WHITE-RAL:9003 GROUT	WALL
	PT15 RED COLOR PAINT PANTONE: PMS 485 C	COLUMN
	PT10 AQUA MARINE COLOR PAINT (HEX-#7FFFD4)	COLUMN
	PT11 SULFUR YELLOW COLOR PAINT PANTONE 012 C	COLUMN
	PT04 BLUE COLOUR TEXTURE PAINT	COLUMN
	WD01 WOOD GRAINS TAN COLOUR VENEER	COUNTER (BAR AREA & SOUTH INDIAN KITCHEN)
	PT08 WHITE COLOUR PAINT RAL:9003	COLUMN
	PT09 BLACK GREY COLOUR PAINT RAL:9005	EXISTING COLUMN

01 WALL FINISHES
02GA-113 1:75

T01	09.01.24	TENDER	HOD	HOD
REV	DATE	DESCRIPTION	DRN	CHK



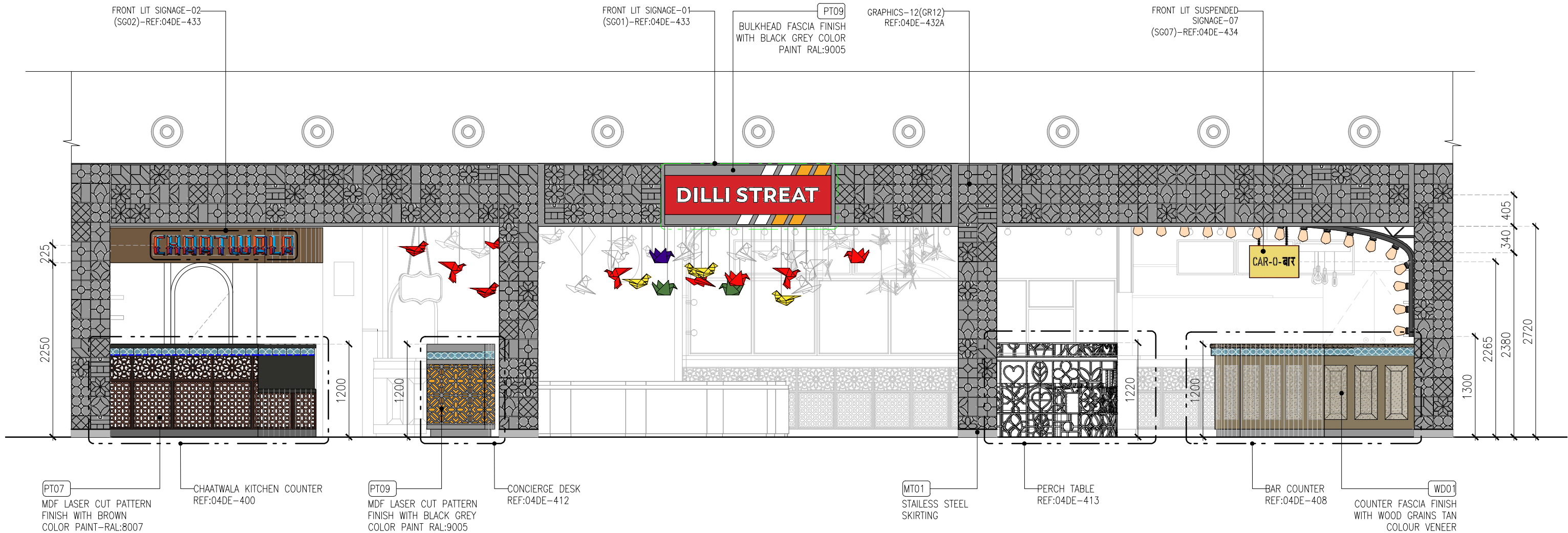
PROJECT
DILLI STREET
L5 LEVEL
T1, IGI AIRPORT
DELHI

DRAWING TITLE
WALL FINISHES

SCALE 1:75 DATE 09.01.2024 DRAWN HOD A3 SHEET

STATUS
TENDER

ORG	PROJECT NO	DRAWING TYPE	NUMBER	REV
SSP	0000	02GA	113	T01



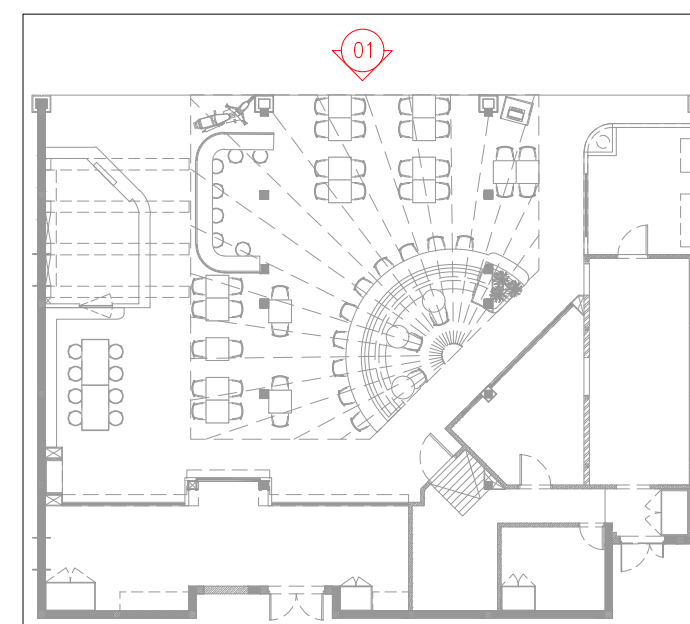
01 ELEVATION-01
03IL-300 1:50

T01	09.01.24	TENDER	HOD	NM
REV	DATE	DESCRIPTION	DRN	CHK



PROJECT
DILLI STREET
L5 LEVEL
T1 , IGI AIRPORT
DELHI

DRAWING TITLE
ELEVATION-01



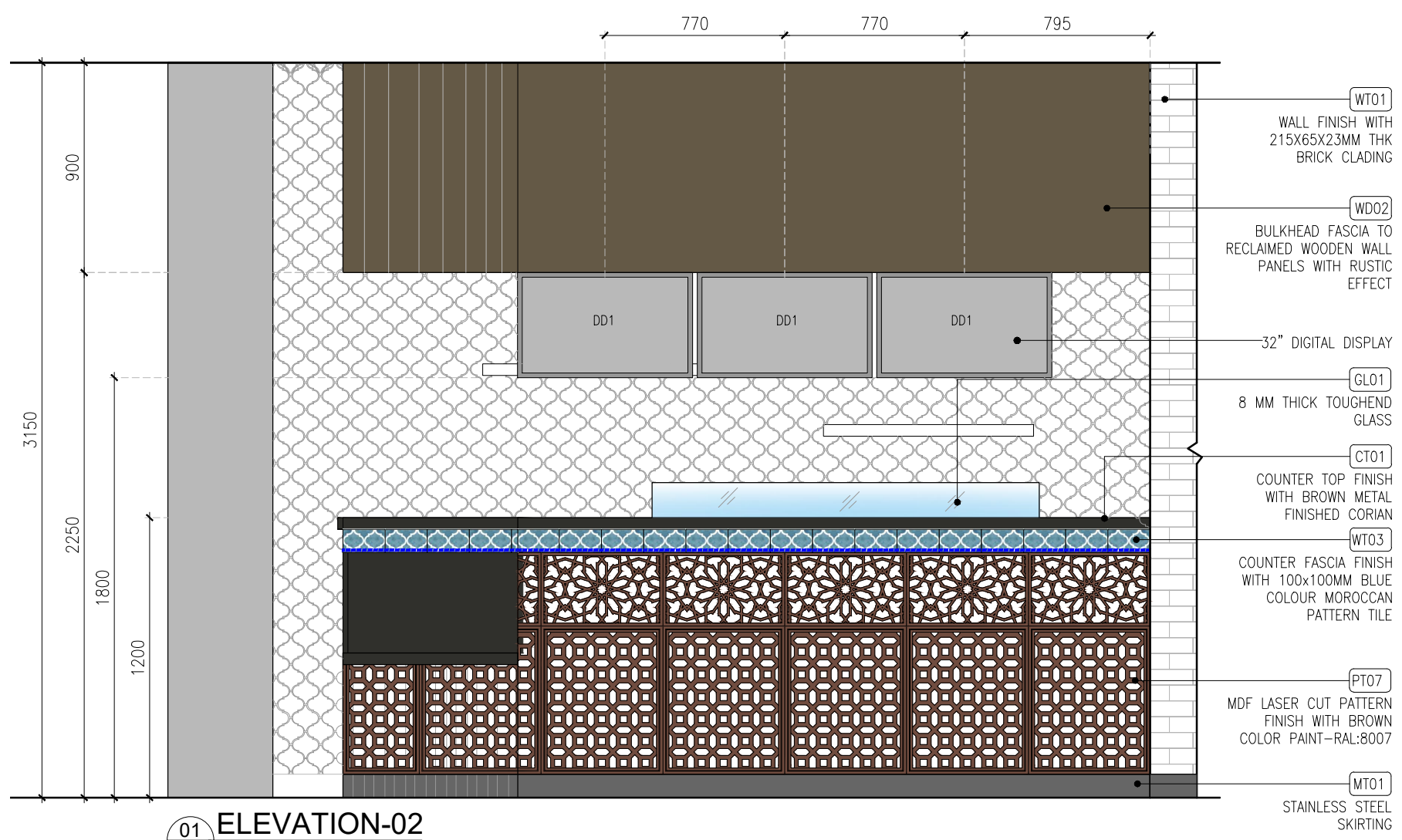
KEYPLAN

SCALE 1:50 DATE 09.01.2024 DRAWN HOD A3 SHEET

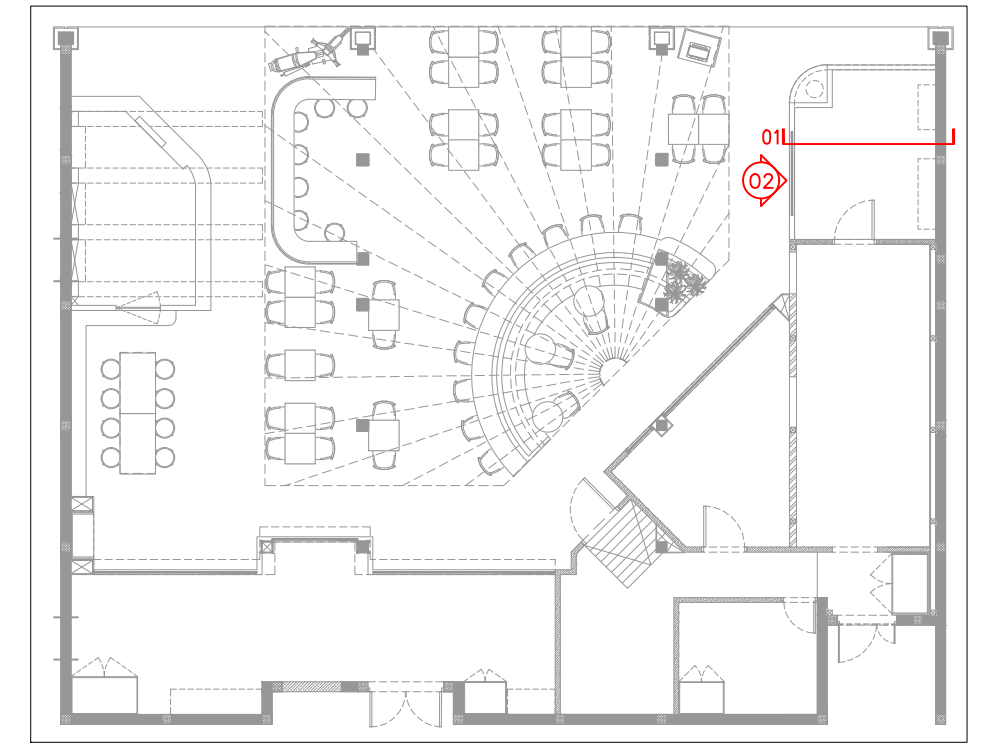
STATUS
TENDER

ORG	PROJECT NO	DRAWING TYPE	NUMBER	REV
SSP	0000	03IL	300	T01

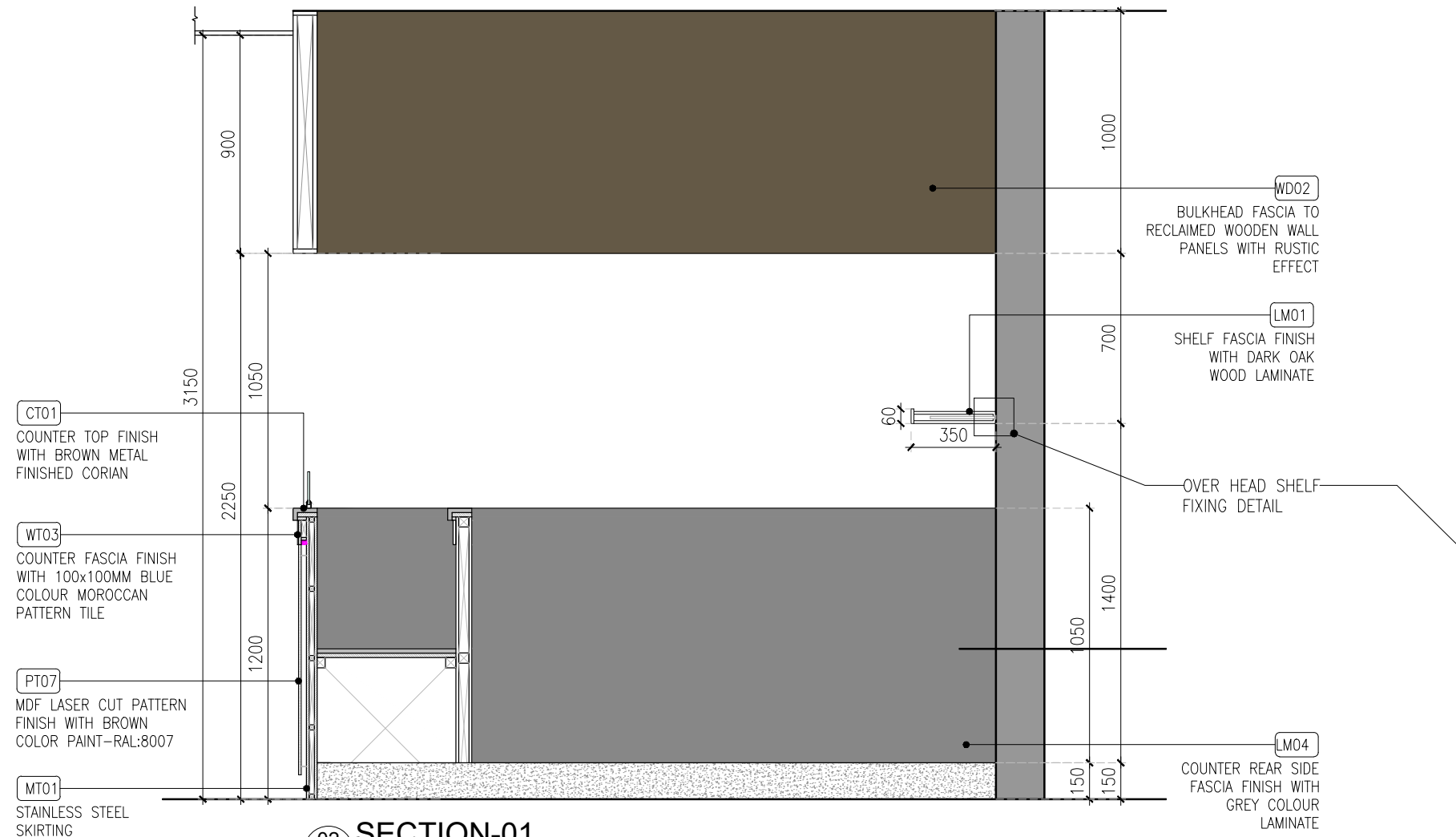
ALL DIMENSIONS MUST BE CHECKED ON SITE.
INFORM THE ENGINEER OF ANY DISCREPANCIES PRIOR TO CONSTRUCTION.



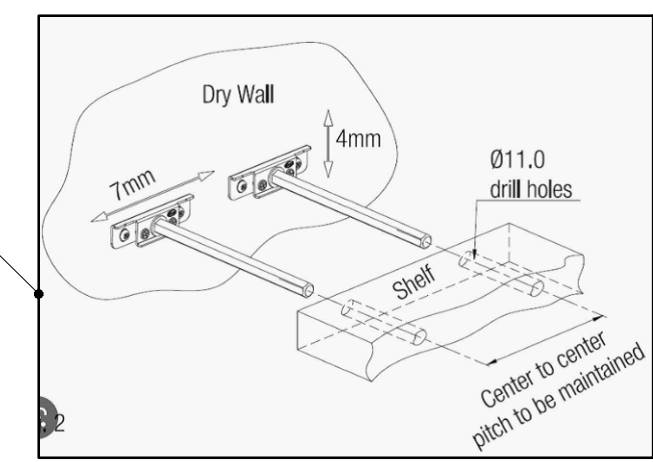
01 ELEVATION-02
03IL-301 1:25



KEY PLAN



02 SECTION-01
03IL-301 1:25



REF. IMAGE (FIXING SHELF ON WALL)

REV	DATE	DESCRIPTION	HOD	NM
T01	09.01.24	TENDER		
			DRN	CHK



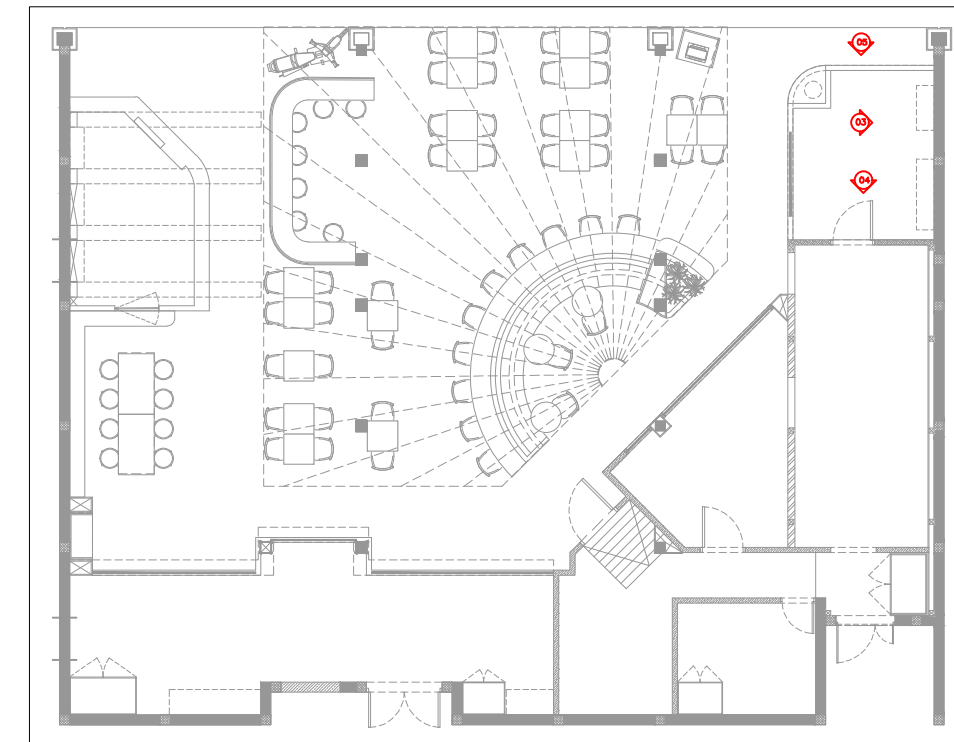
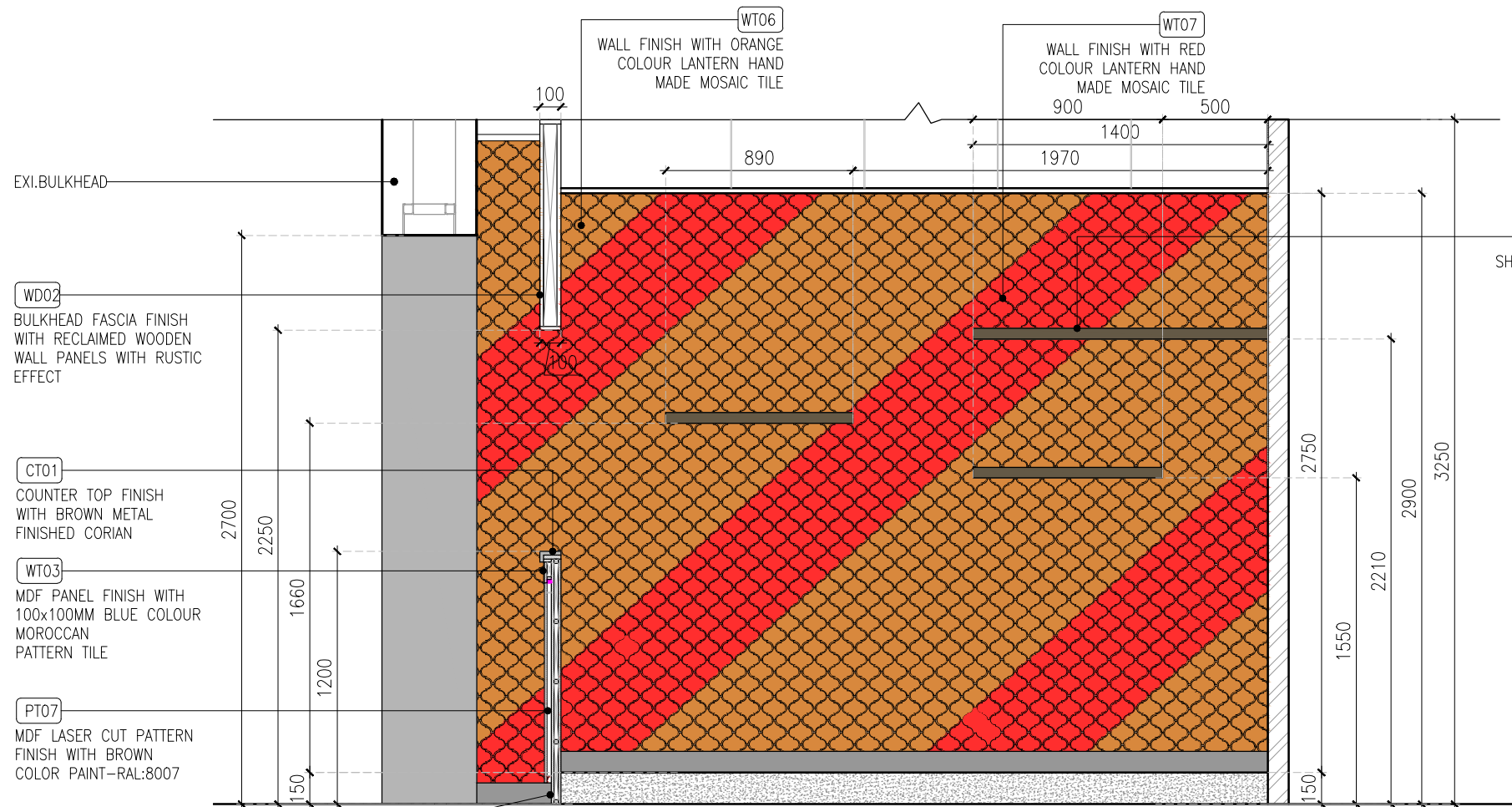
PROJECT
**DILLI STREET
L5 LEVEL
T1 , IGI AIRPORT
DELHI**

DRAWING TITLE
ELEVATION-02 & SECTION-01

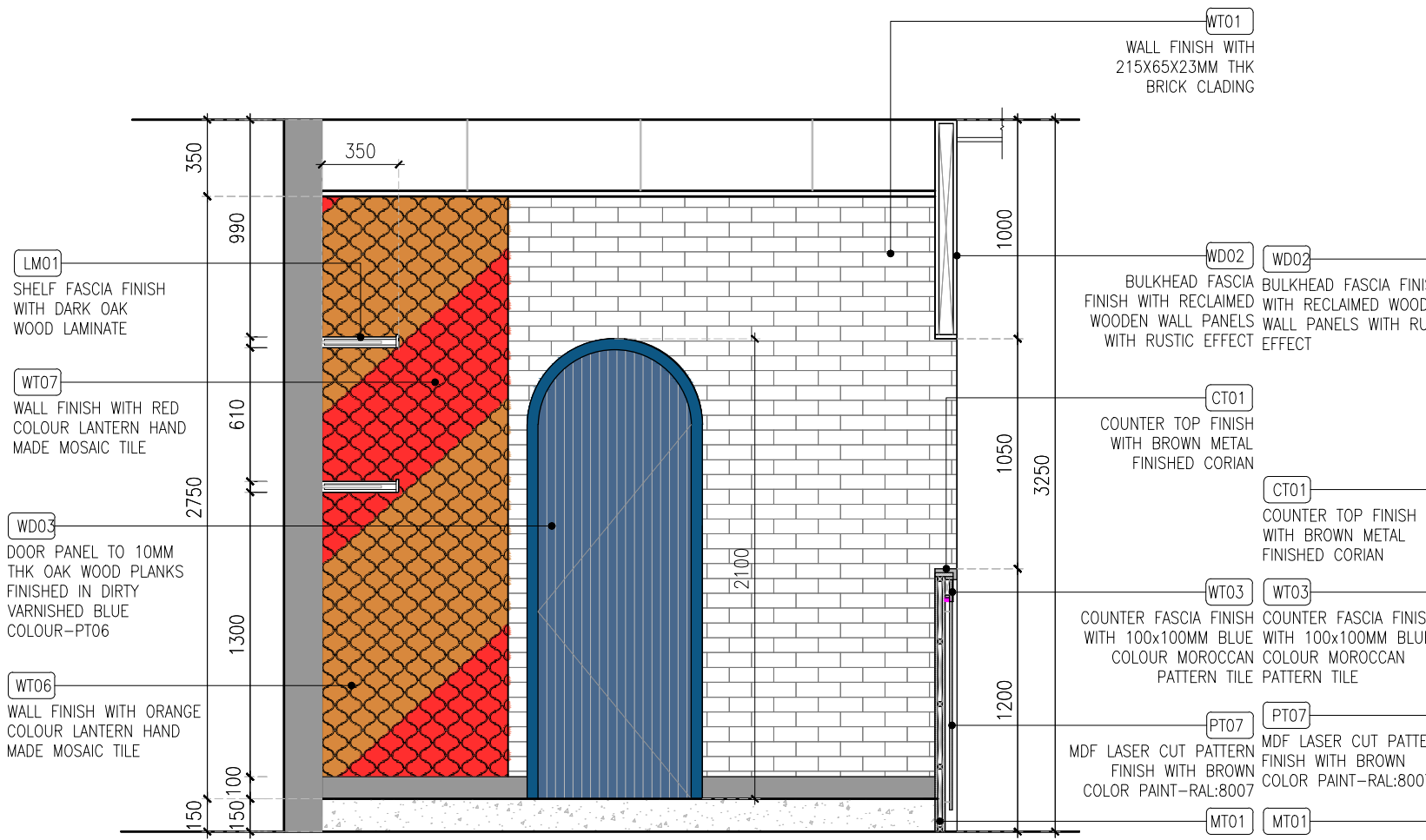
SCALE 1:25 DATE 09.01.2024 DRAWN HOD A3 SHEET

STATUS
TENDER

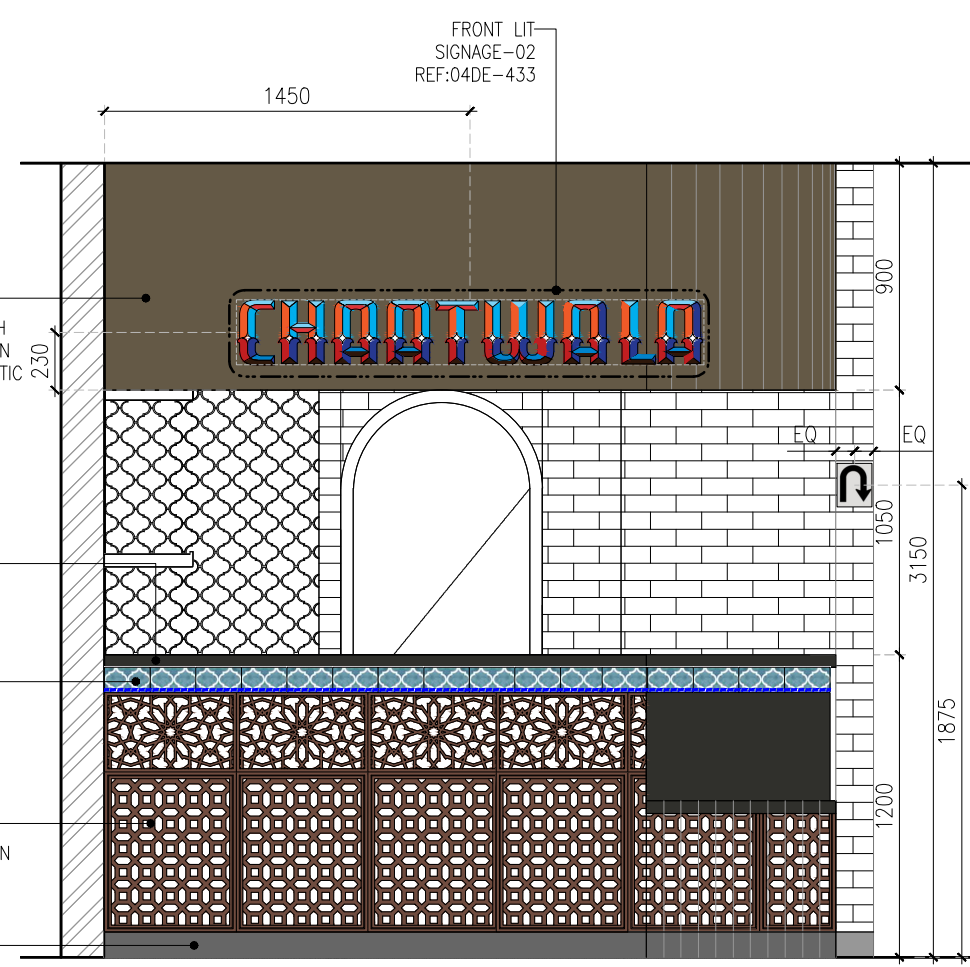
ORG	PROJECT NO	DRAWING TYPE	NUMBER	REV
TFS	0000	03IL	301	T01



01 ELEVATION-03
03IL-302 1:30



02 ELEVATION-04
03IL-302 1:30



03 ELEVATION-05
03IL-302 1:30

REV	DATE	DESCRIPTION	HOD	NM	DRN	CHK
T01	09.01.24	TENDER				



PROJECT
DILLI STREET
L5 LEVEL
T1, IGI AIRPORT
DELHI

DRAWING TITLE
ELEVATION-03,04 & 05

SCALE 1:30 DATE 09.01.2024 DRAWN HOD A3 SHEET

STATUS
TENDER

ORG	PROJECT NO	DRAWING TYPE	NUMBER	REV
TFS	0000	03IL	302	T01

ALL DIMENSIONS MUST BE CHECKED ON SITE.
INFORM THE ENGINEER OF ANY DISCREPANCIES PRIOR TO CONSTRUCTION.



01 ELEVATION-06
03IL-303 1:25

T01	09.01.24	TENDER	HOD	NM
REV	DATE	DESCRIPTION	DRN	CHK



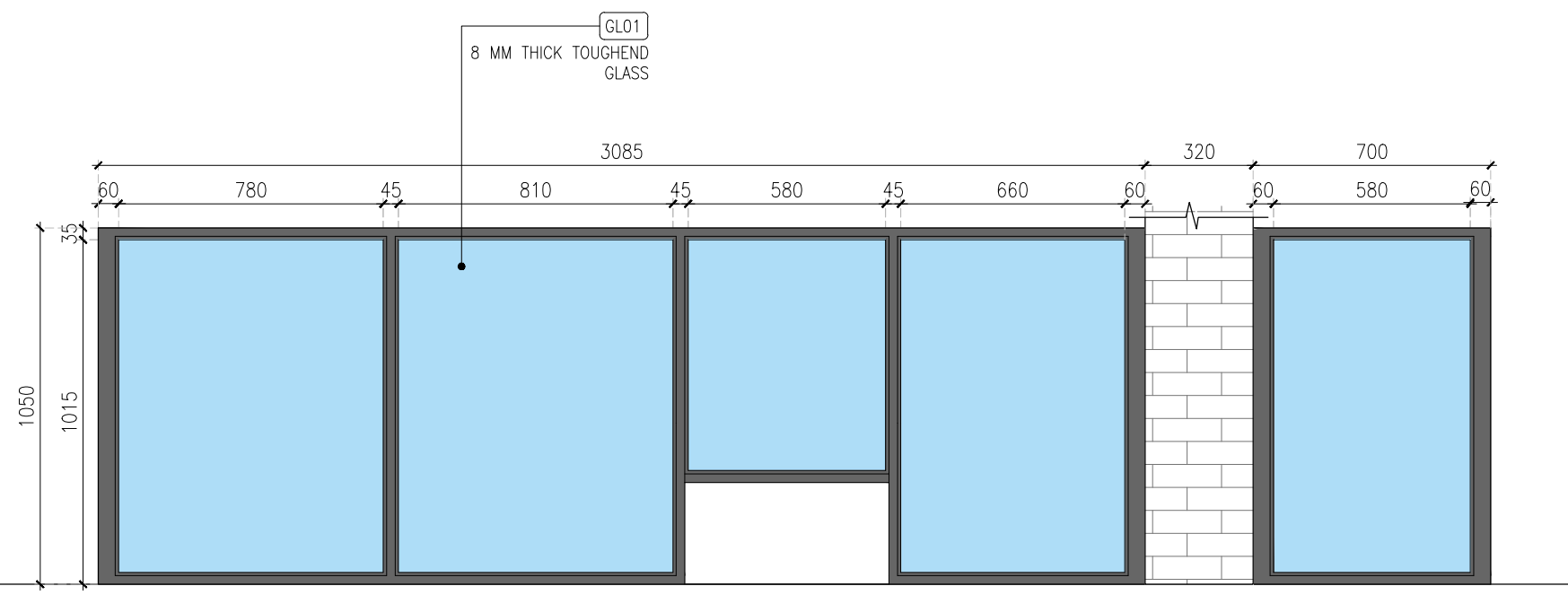
PROJECT
DILLI STREET
L5 LEVEL
T1, IGI AIRPORT
DELHI

DRAWING TITLE
ELEVATION-06

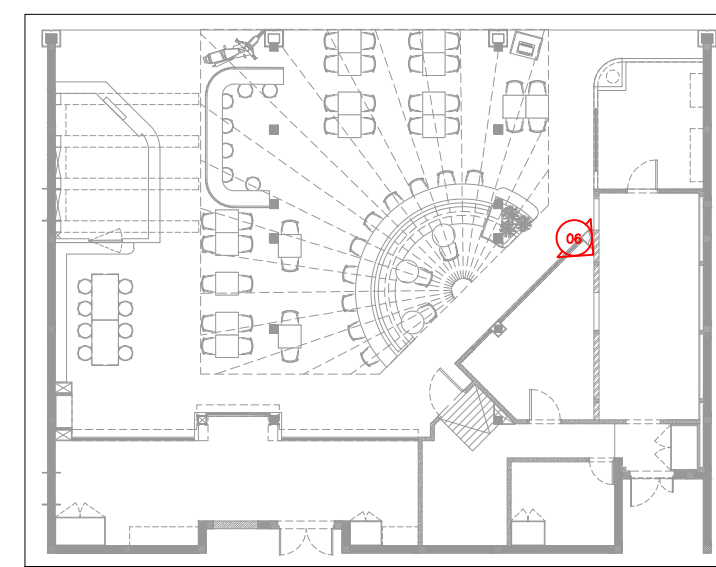
SCALE AS MENTIONED DATE 09.01.2024 DRAWN HOD A3 SHEET

STATUS
TENDER

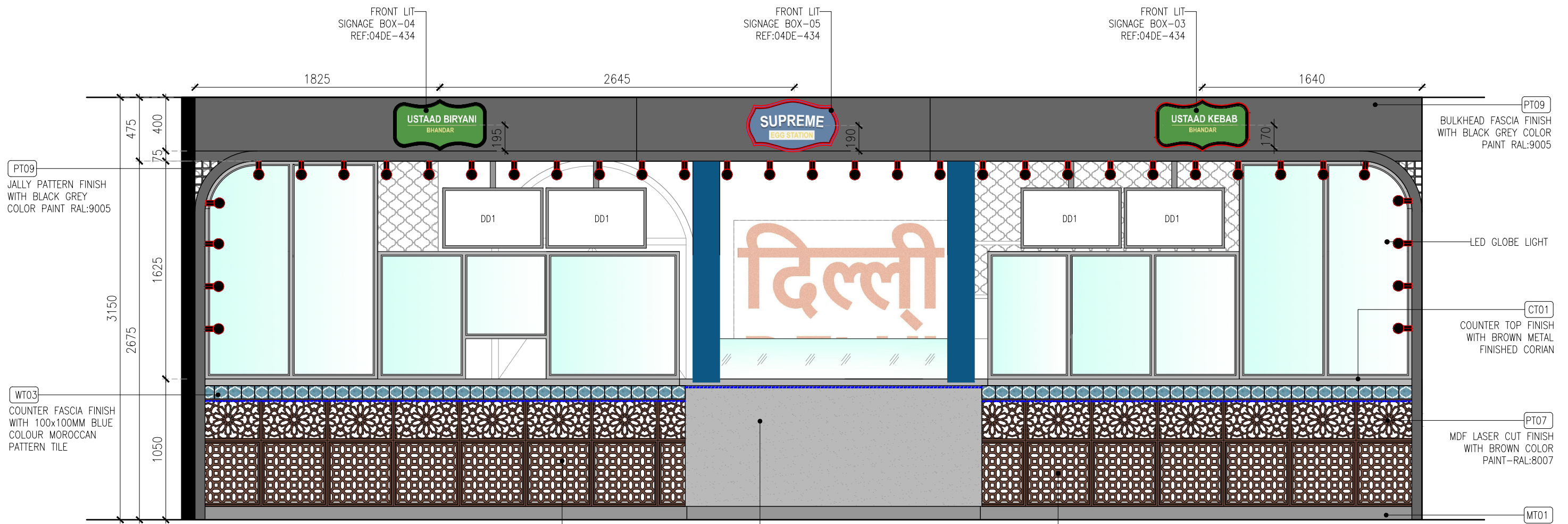
ORG	PROJECT NO	DRAWING TYPE	NUMBER	REV
TFS	0000	03IL	303	T01



DETAIL-A (SCALE 1:20)



KEY PLAN



PT09
JALLY PATTERN FINISH
WITH BLACK GREY
COLOR PAINT RAL:9005

WT03
COUNTER FASCIA FINISH
WITH 100x100MM BLUE
COLOUR MOROCCAN
PATTERN TILE

PT09
BULKHEAD FASCIA FINISH
WITH BLACK GREY COLOR
PAINT RAL:9005

LED GLOBE LIGHT

CT01
COUNTER TOP FINISH
WITH BROWN METAL
FINISHED CORIAN

PT07
MDF LASER CUT FINISH
WITH BROWN COLOR
PAINT-RAL:8007

MT01
STAINLESS STEEL
SKIRTING

01 ELEVATION-07
03IL-304 1:30

WT03
COUNTER FASCIA FINISH
WITH 100x100MM BLUE
COLOUR MOROCCAN
PATTERN TILE

PT01
COUNTER FASCIA FINISH WITH
SEAMLESS CEMENT TEXTURE PAINT
COLOUR TO MATCH WITH RAL:9010

PT07
COUNTER FASCIA FINISH
WITH WHITE COLOUR PAINT
RAL:9003

T01	09.01.24	TENDER	HOD	NM
REV	DATE	DESCRIPTION	DRN	CHK



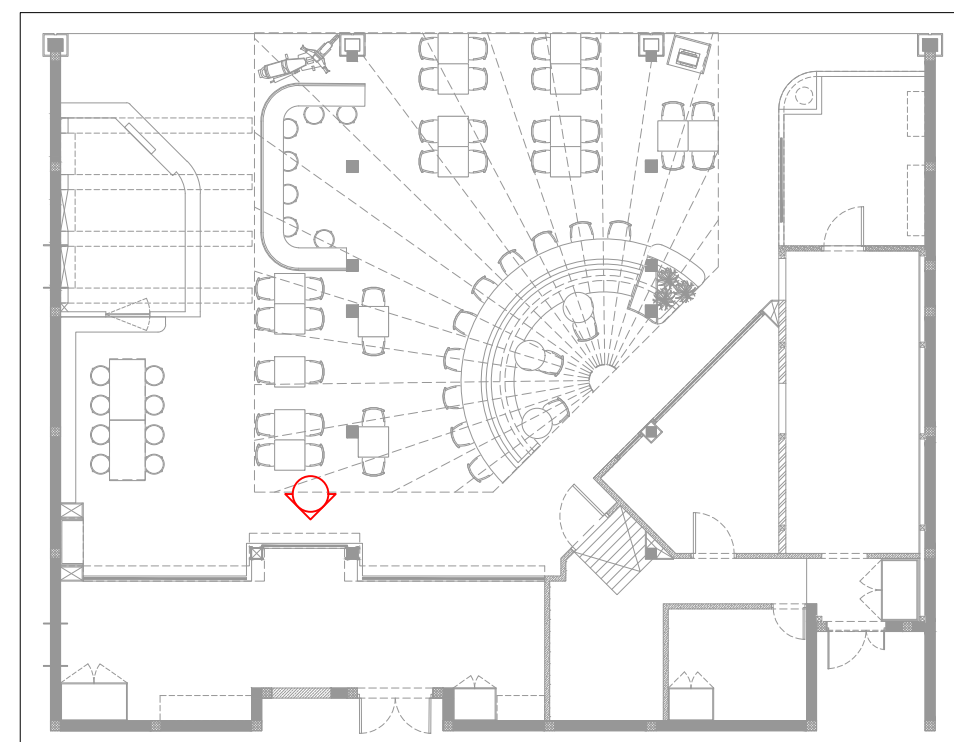
PROJECT
DILLI STREET
L5 LEVEL
T1 , IGI AIRPORT
DELHI

DRAWING TITLE
ELEVATION

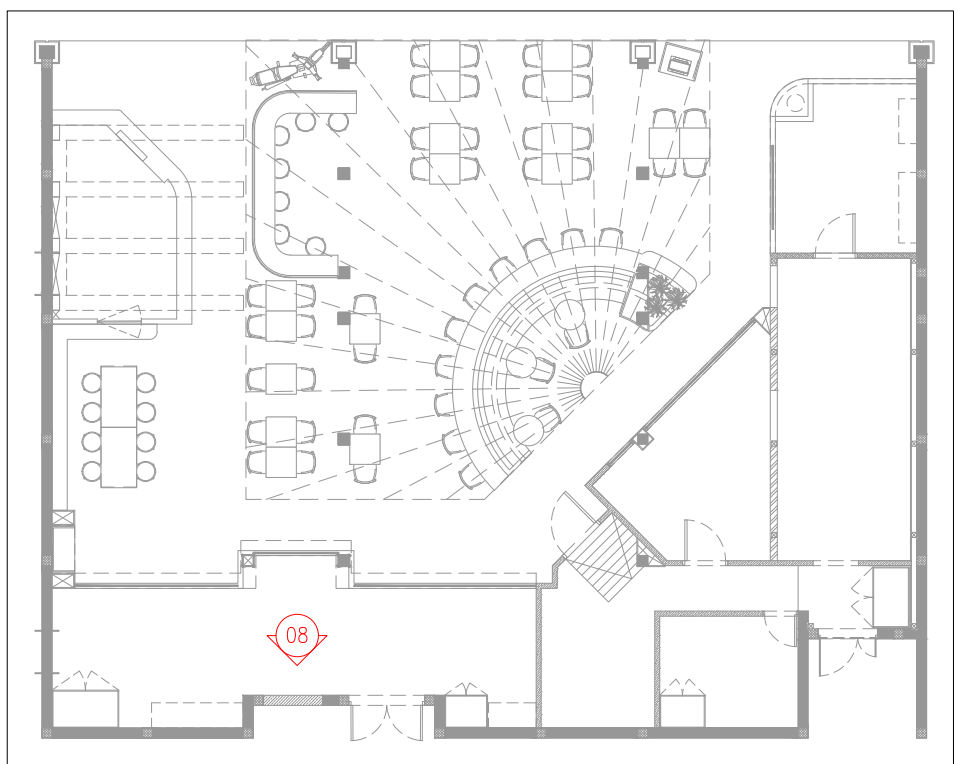
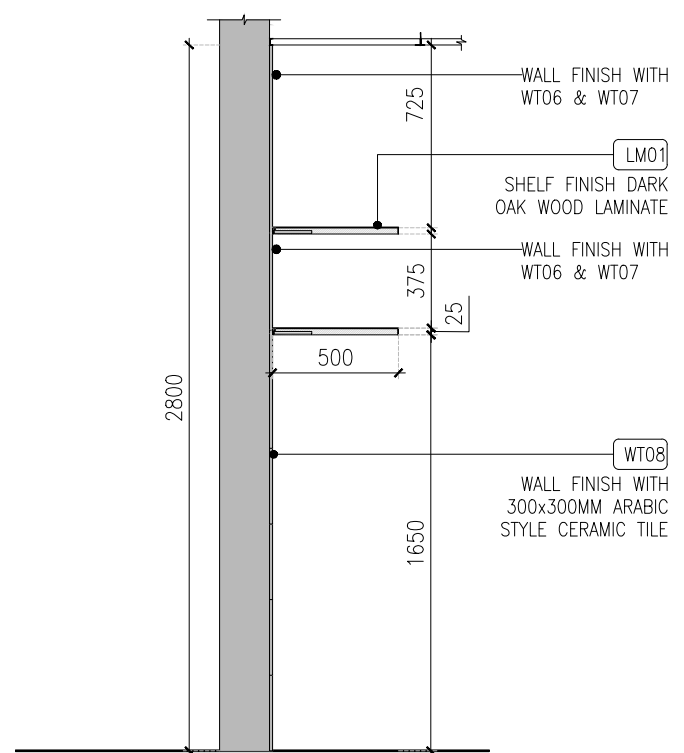
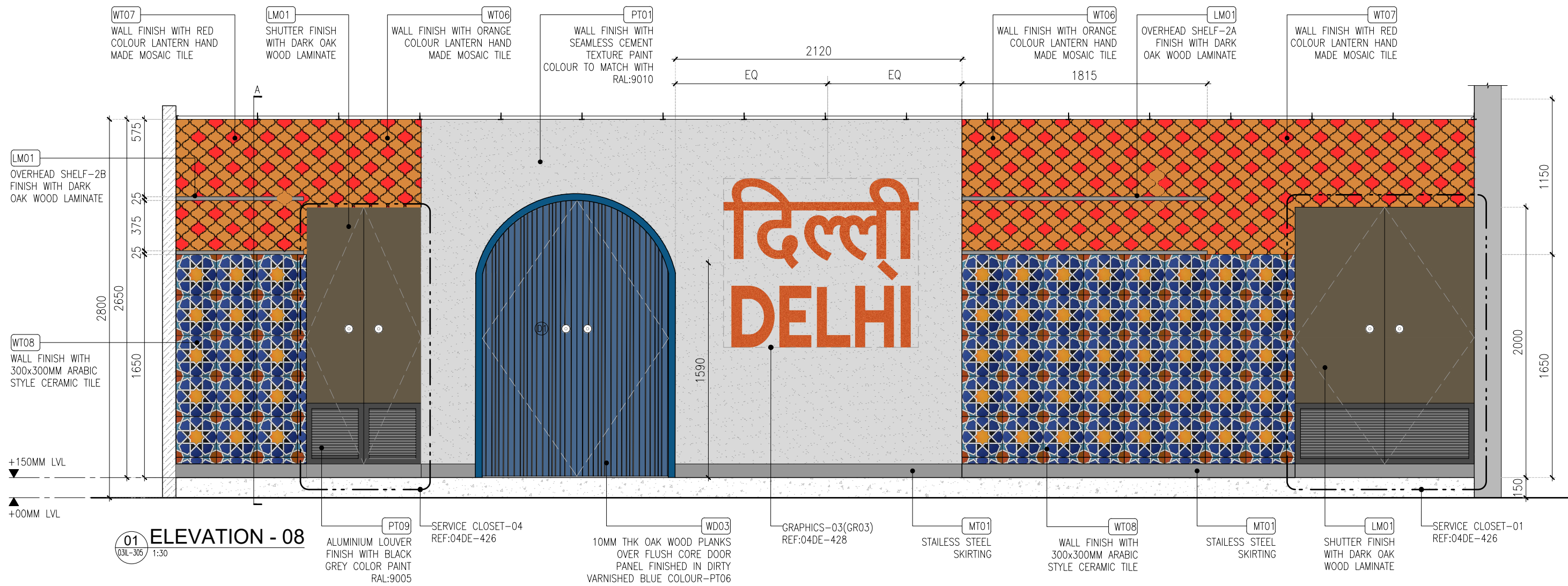
SCALE 1:30 DATE 09.01.2024 DRAWN HOD A3 SHEET

STATUS
TENDER

ORG	PROJECT NO	DRAWING TYPE	NUMBER	REV
TFS	0000	03IL	304	T01



KEY PLAN



T01	09.01.24	TENDER	HOD	NM
REV	DATE	DESCRIPTION	DRN	CHK



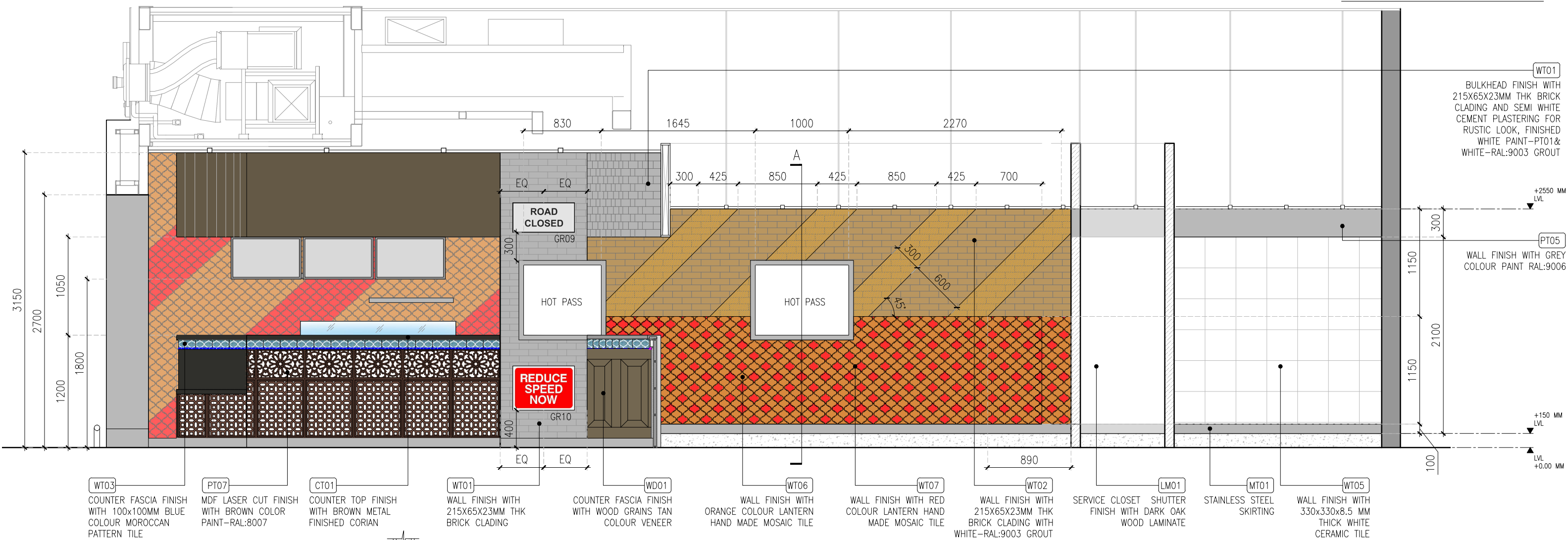
PROJECT
**DILLI STREAT
L5 LEVEL
T1 , IGI AIRPORT
DELHI**

DRAWING TITLE
ELEVATION - 08

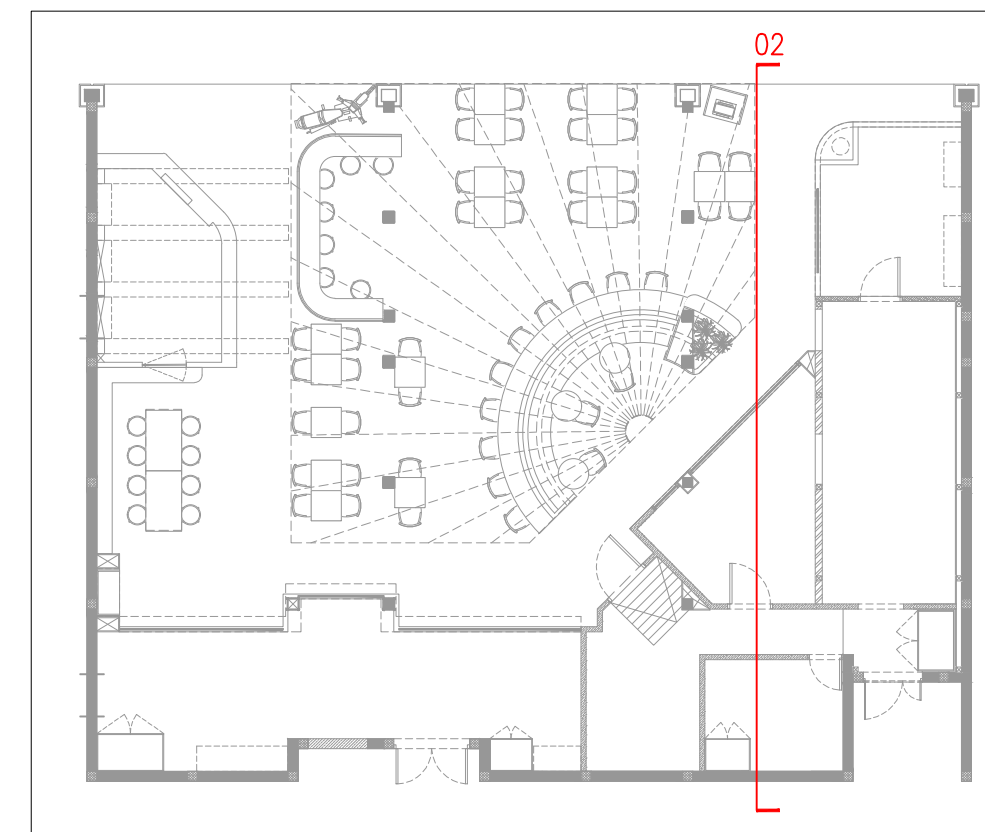
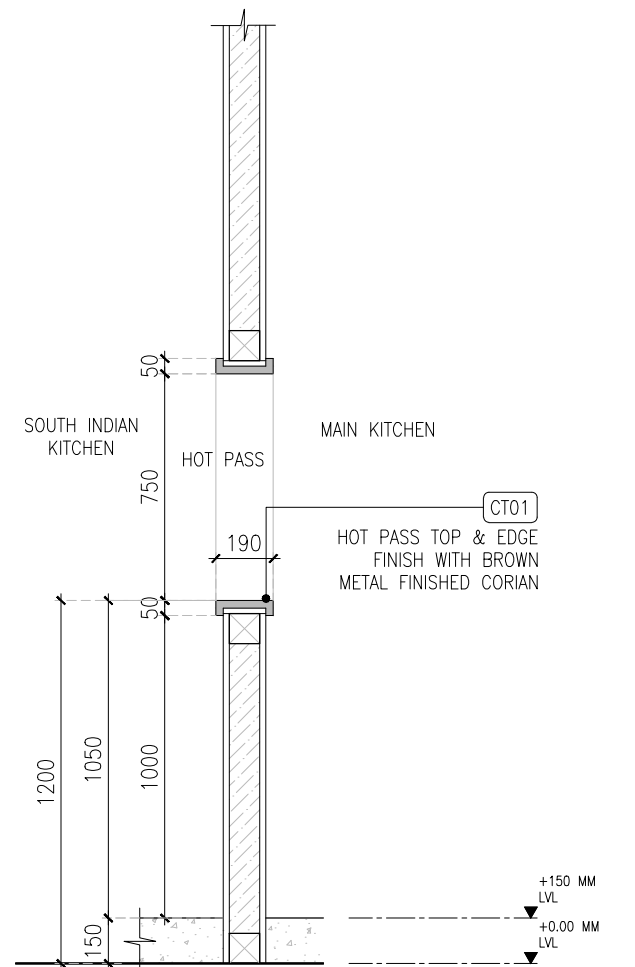
SCALE 1:30 DATE 09.01.2024 DRAWN HOD A3 SHEET

STATUS
TENDER

ORG	PROJECT NO	DRAWING TYPE	NUMBER	REV
SSP	0000	03IL	305	T01



01 SECTION-02
03IL-306 1:40



T01	09.01.24	TENDER	HOD	NM
REV	DATE	DESCRIPTION	DRN	CHK



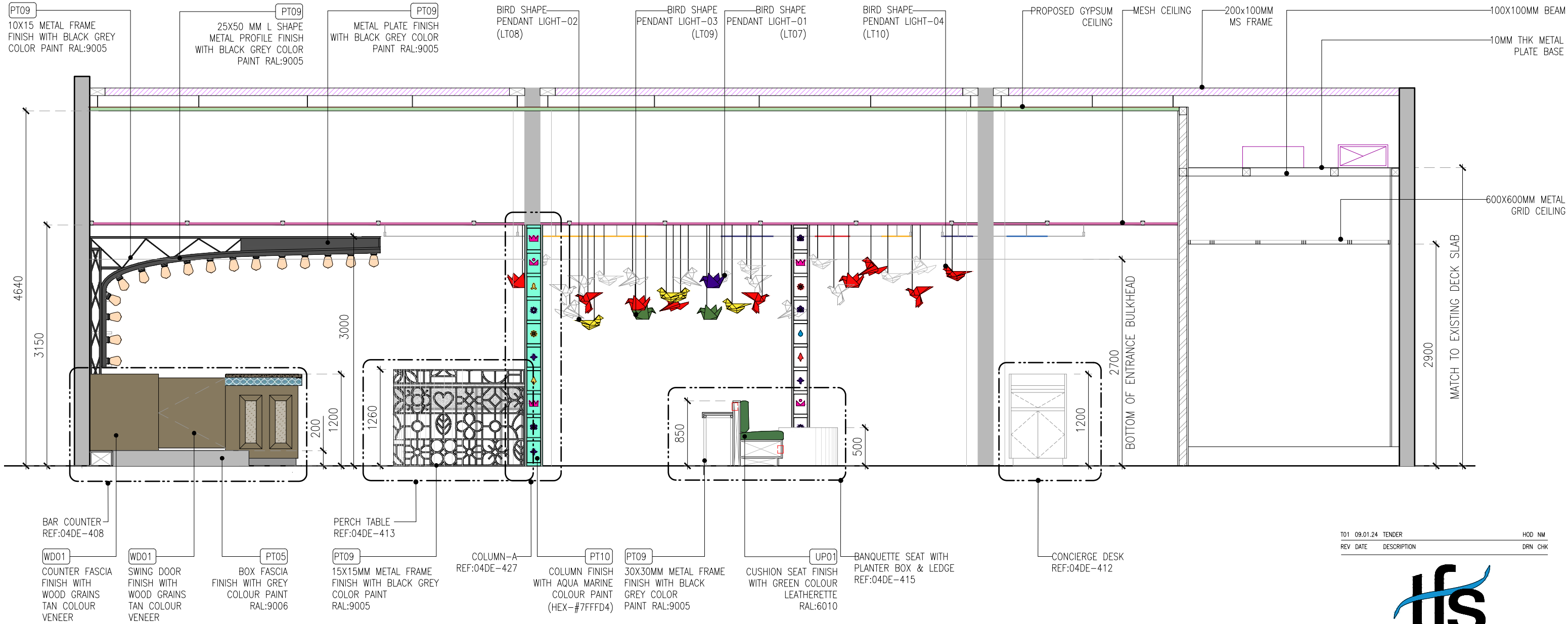
PROJECT
**DILLI STREET
L5 LEVEL
T1 , IGI AIRPORT
DELHI**

DRAWING TITLE
SECTION-02

SCALE AS MENTIONED DATE 09.01.2024 DRAWN HOD A3 SHEET

STATUS
TENDER

ORG	PROJECT NO	DRAWING TYPE	NUMBER	REV
TFS	0000	03IL	306	T01



01 SECTION - 03
03IL-307 1:50

T01 09.01.24 TENDER HOD NM
REV DATE DESCRIPTION DRN CHK



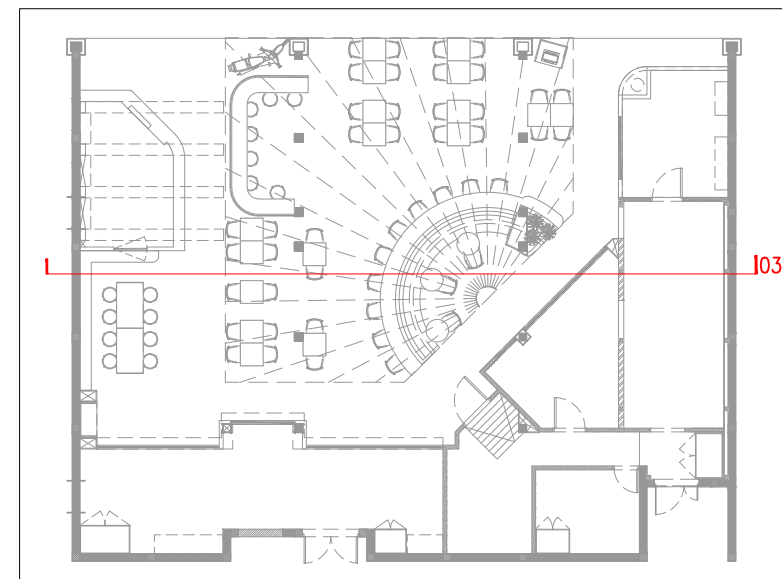
PROJECT
**DELHI STREET
L5 LEVEL
T1, IGI AIRPORT
DELHI**

DRAWING TITLE
SECTION - 03

SCALE 1:50 DATE 09.01.2024 DRAWN HOD A3 SHEET

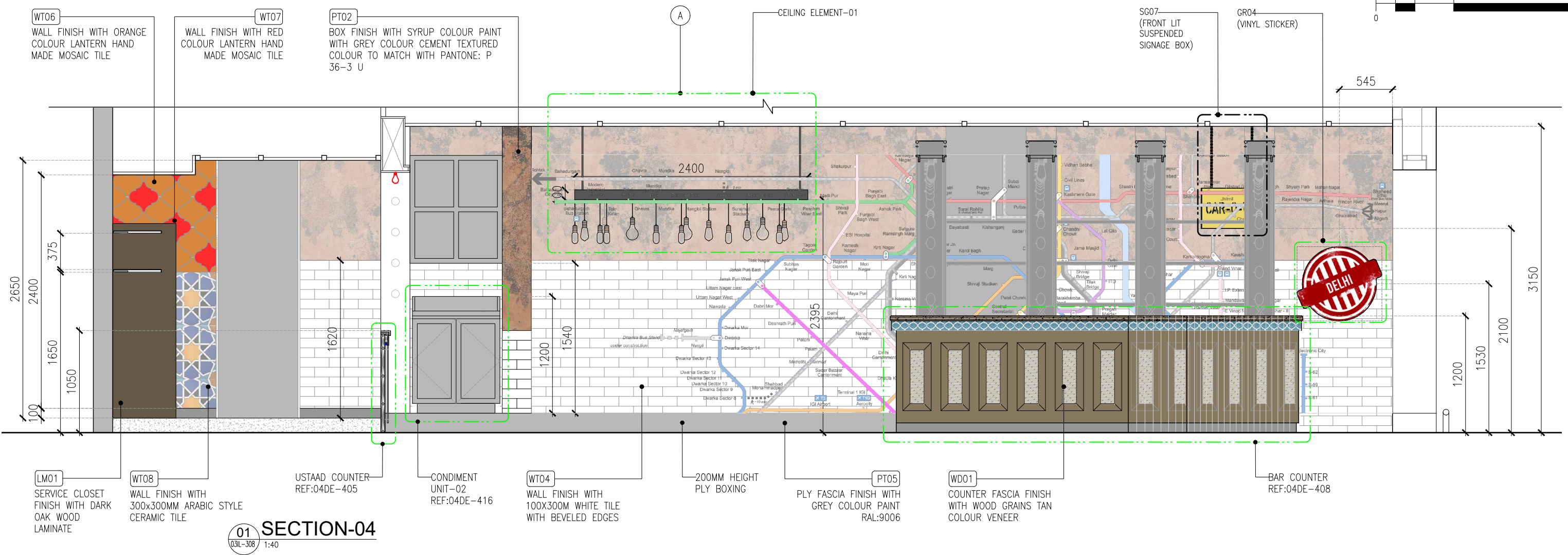
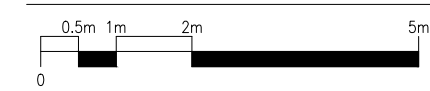
STATUS
TENDER

ORG PROJECT NO DRAWING TYPE NUMBER REV
SSP 0000 03IL 307 T01



KEY PLAN

ALL DIMENSIONS MUST BE CHECKED ON SITE.
INFORM THE ENGINEER OF ANY DISCREPANCIES PRIOR TO CONSTRUCTION.



01 SECTION-04
03IL-308 1:40

T01	09.01.24	TENDER	HOD	HOD
REV	DATE	DESCRIPTION	DRN	CHK



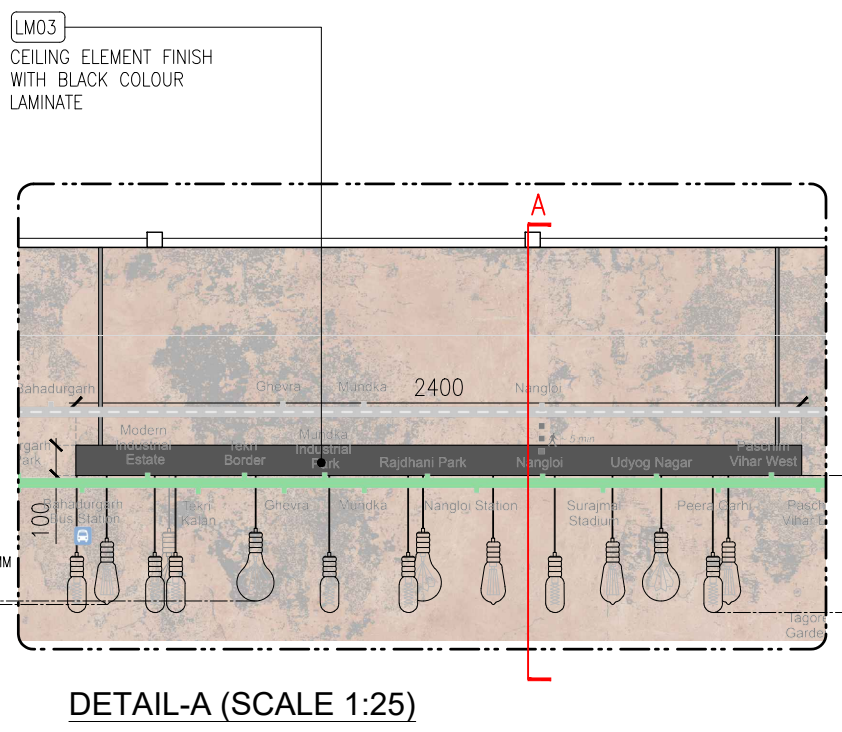
PROJECT
**DILLI STREET
L5 LEVEL
T1, IGI AIRPORT
DELHI**

DRAWING TITLE
**SECTION-04 & J16-CEILING
ELEMENT-01 DETAIL**

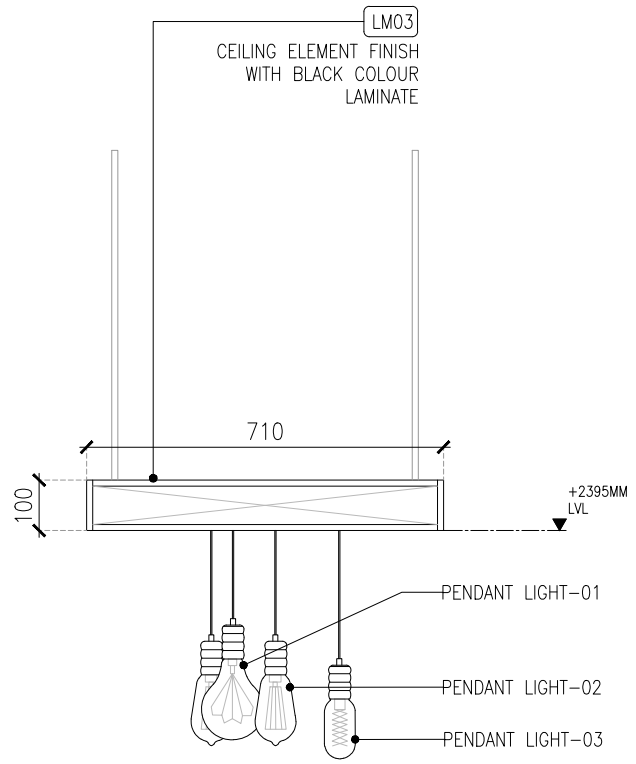
SCALE AS MENTIONED DATE 09.01.2024 DRAWN HOD A3 SHEET

STATUS
TENDER

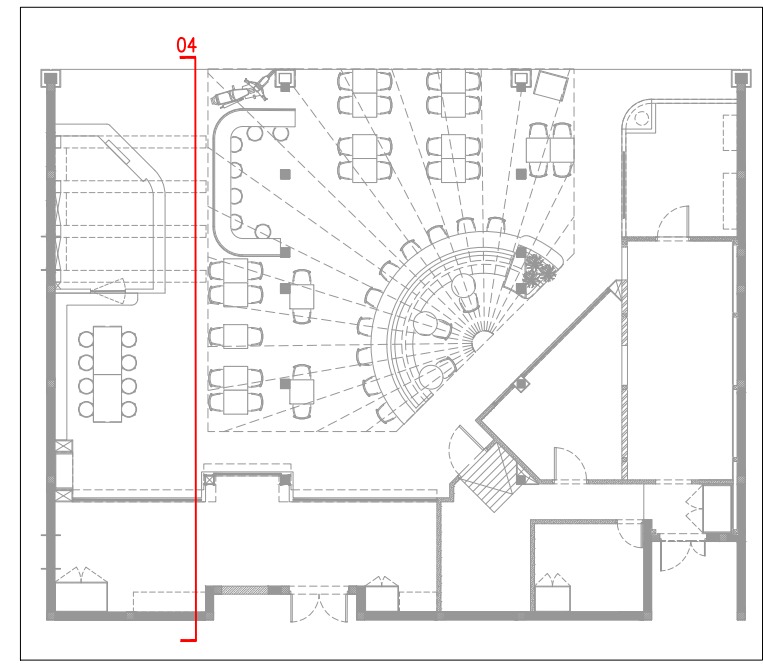
ORG	PROJECT NO	DRAWING TYPE	NUMBER	REV
TFS	0000	03IL	308	T01



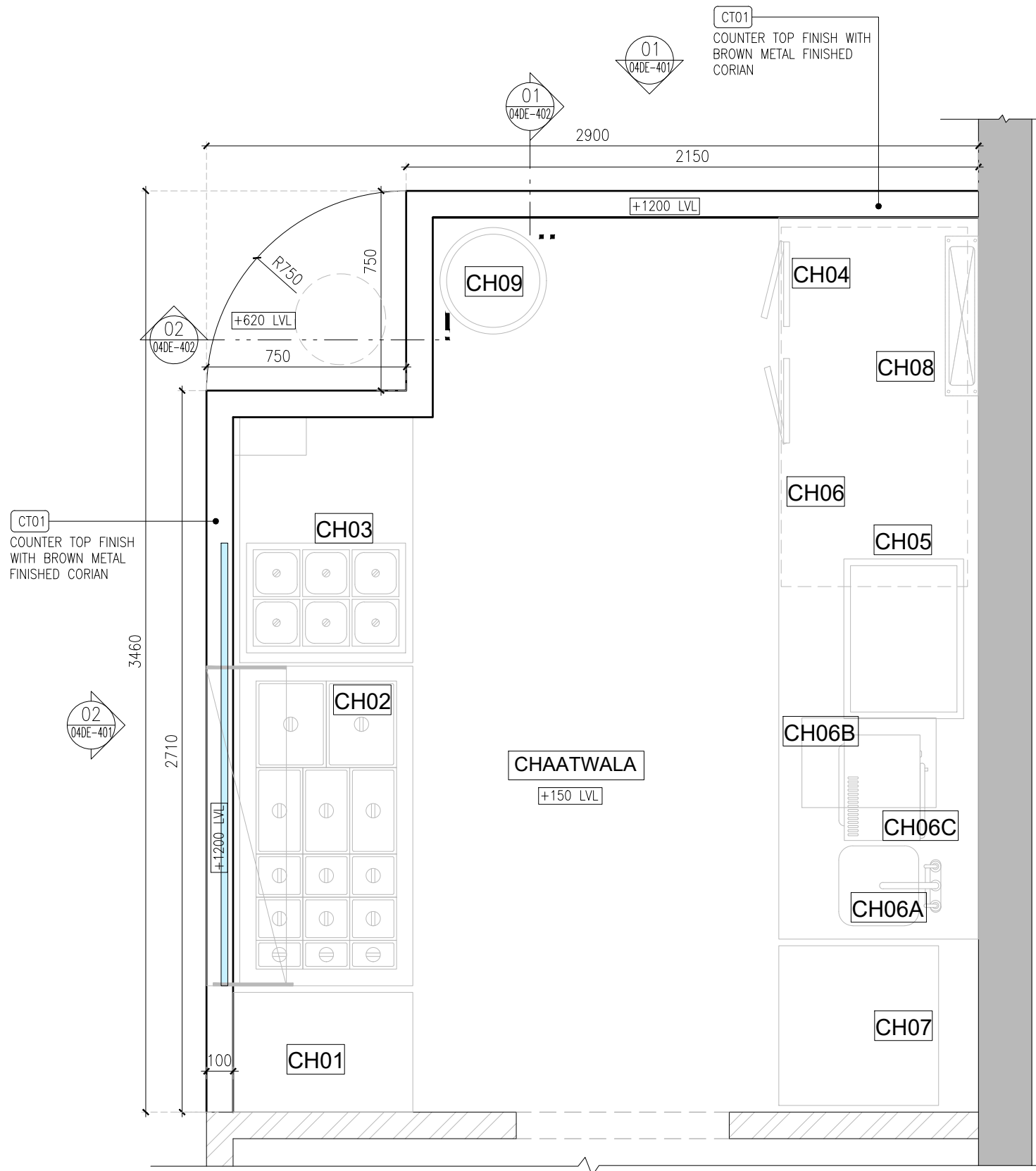
DETAIL-A (SCALE 1:25)



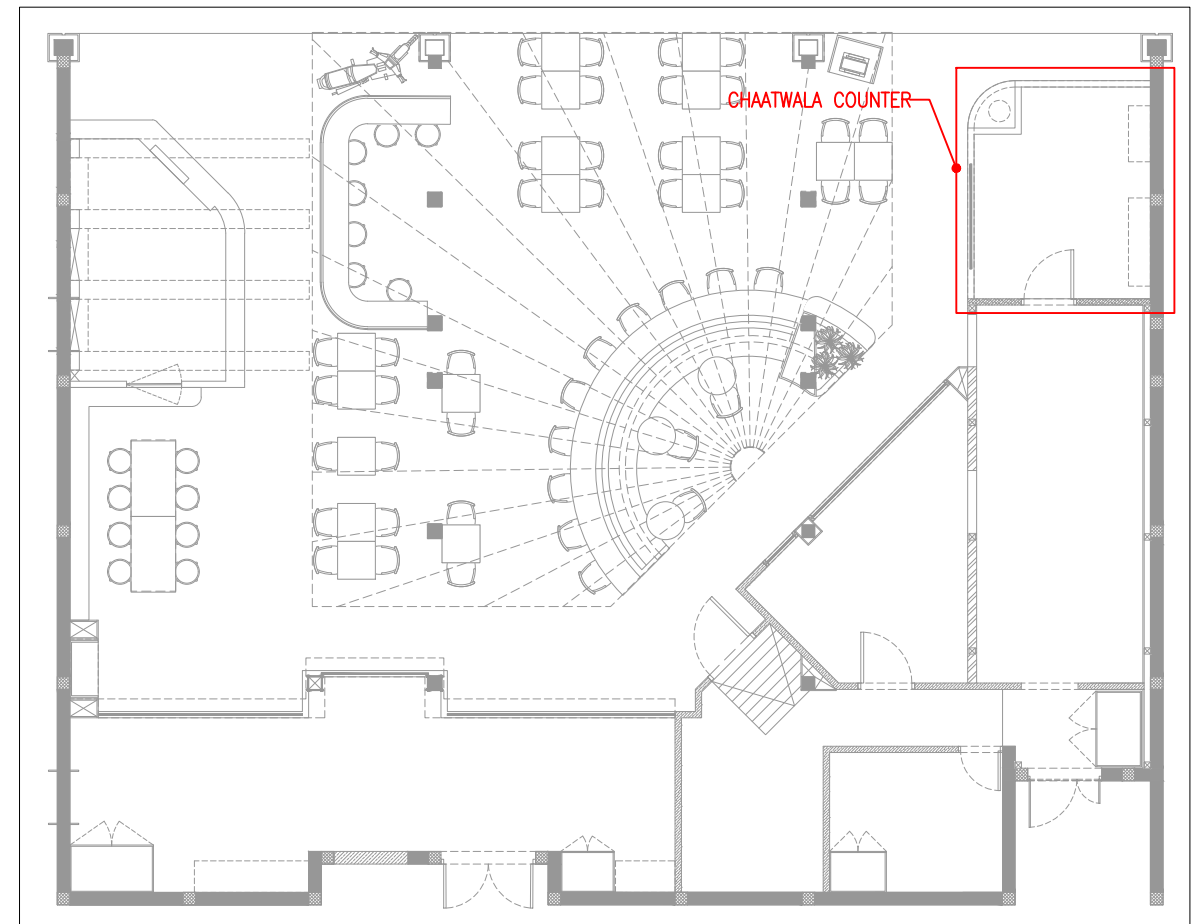
SECTION-A (SCALE 1:15)



KEY PLAN



TOP PLAN



KEY PLAN

01 J01-CHAATWALA KITCHEN COUNTER DETAIL-PART:A
04DE-400 1:20

SL NO	ITEM NO	PRODUCT DESCRIPTION	SIZE	QTY
CHAATWALA KITCHEN AREA				
1	CH-01	WORK TABLE WITH 2 U/S	450 x 650 x 850+100	1
2	CH-02	COLD BAIN MARIE WITH U/C DRAWER CHILLER	1200 x 650 x 850+100	1
3	CH-03	WORK TABLE WITH SUNKEN BAIN MARIE 2 U/S	900 x 650 x 850+100	1
4	CH-04	2 DOOR U/C CHILLER	1365 x 700 x 850	1
5	CH-05	TABLE TOP KULFI FALUDA FREEZER	STD	1
6	CH-06A	COUNTER TOP SINK	STD	1
7	CH-06B	GREASE CHAMBER BELOW SINK UNIT	STD	1
8	CH-06C	MICRO OVEN	511x432x311	1
9	CH-07	VISI COOLER		1
10	CH-08	INSECT KILLER		1
11	CH-09	GARBAGE BIN		1

REV	DATE	DESCRIPTION	HOD	NM
T01	09.01.24	TENDER		
			DRN	CHK



PROJECT
DILLI STREAT
L5 LEVEL
T1 , IGI AIRPORT
DELHI

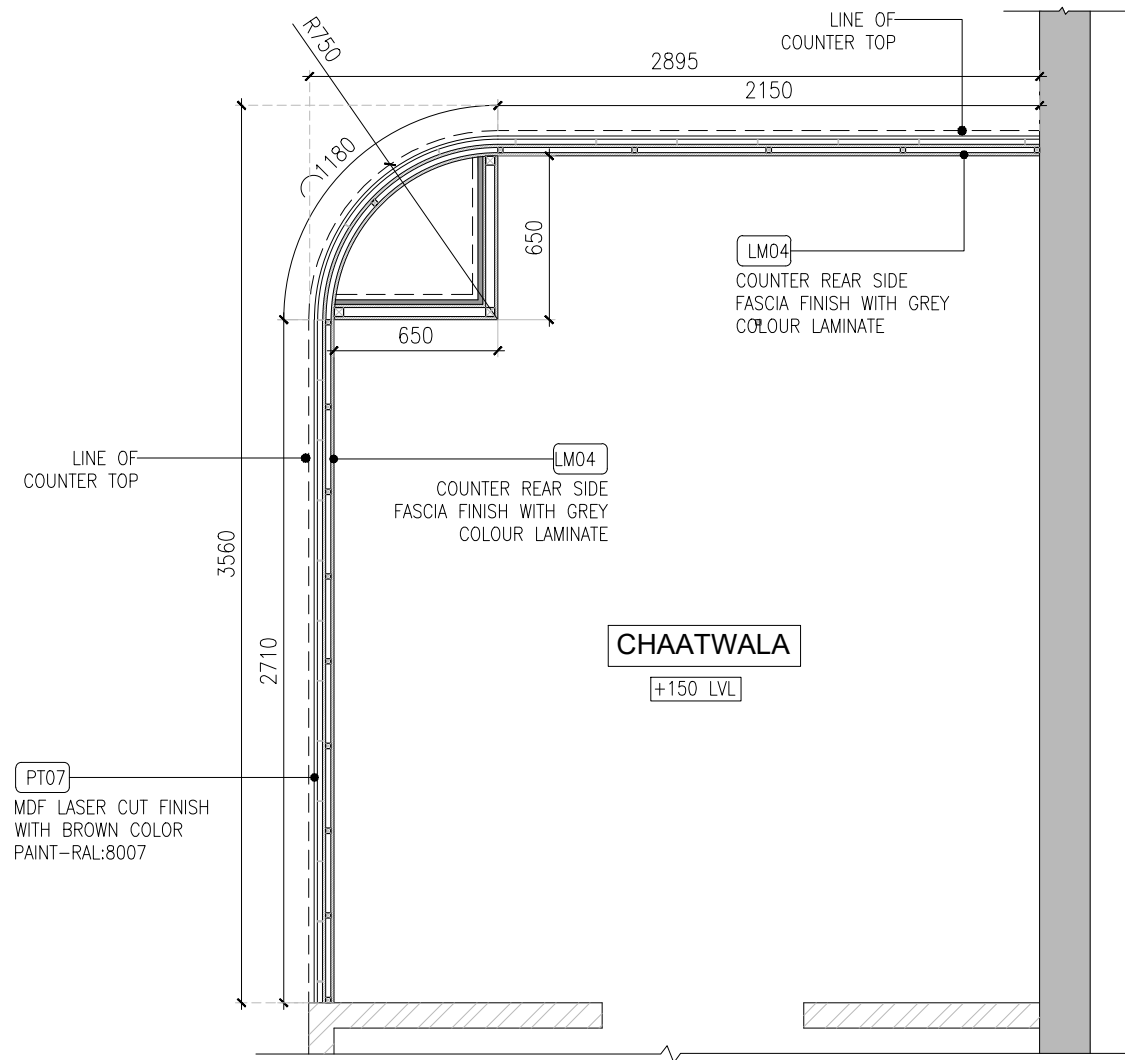
DRAWING TITLE
J01-CHAATWALA KITCHEN
COUNTER DETAIL PART:A

SCALE 1:20 DATE 09.01.2024 DRAWN HOD A3 SHEET

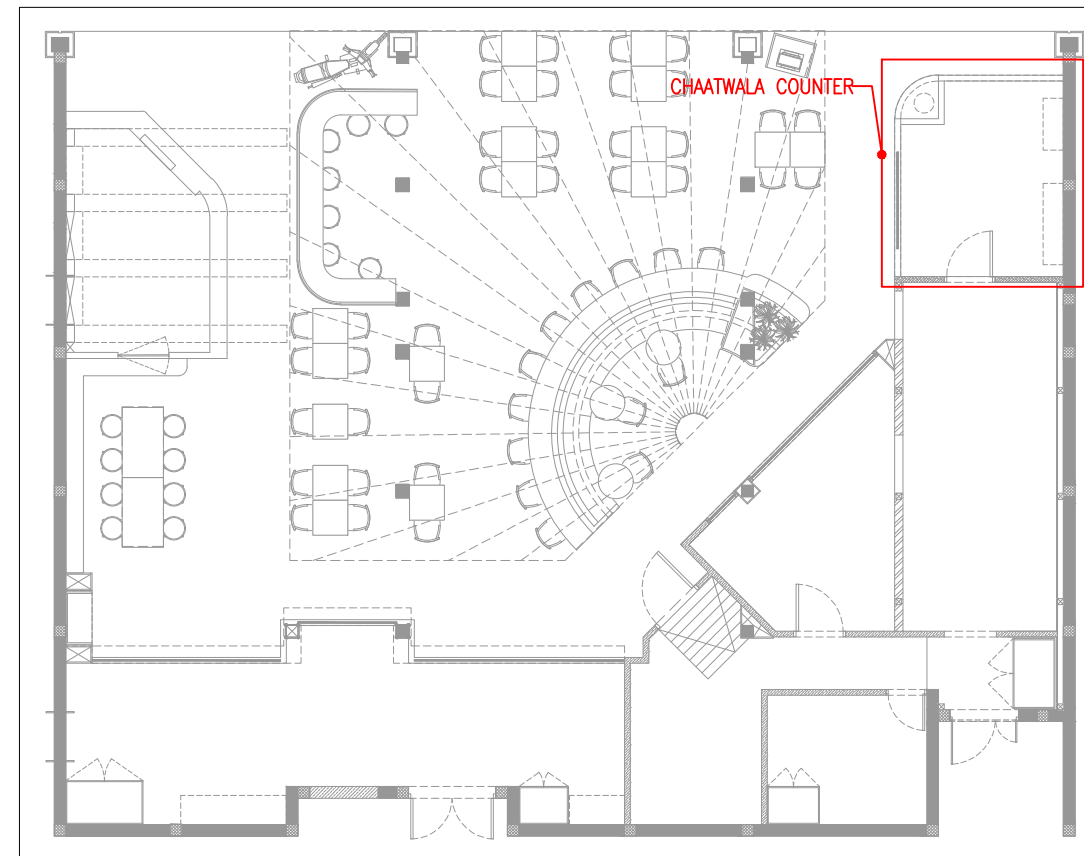
STATUS
TENDER

ORG PROJECT NO DRAWING TYPE NUMBER REV
TFS 0000 04DE 400 T01

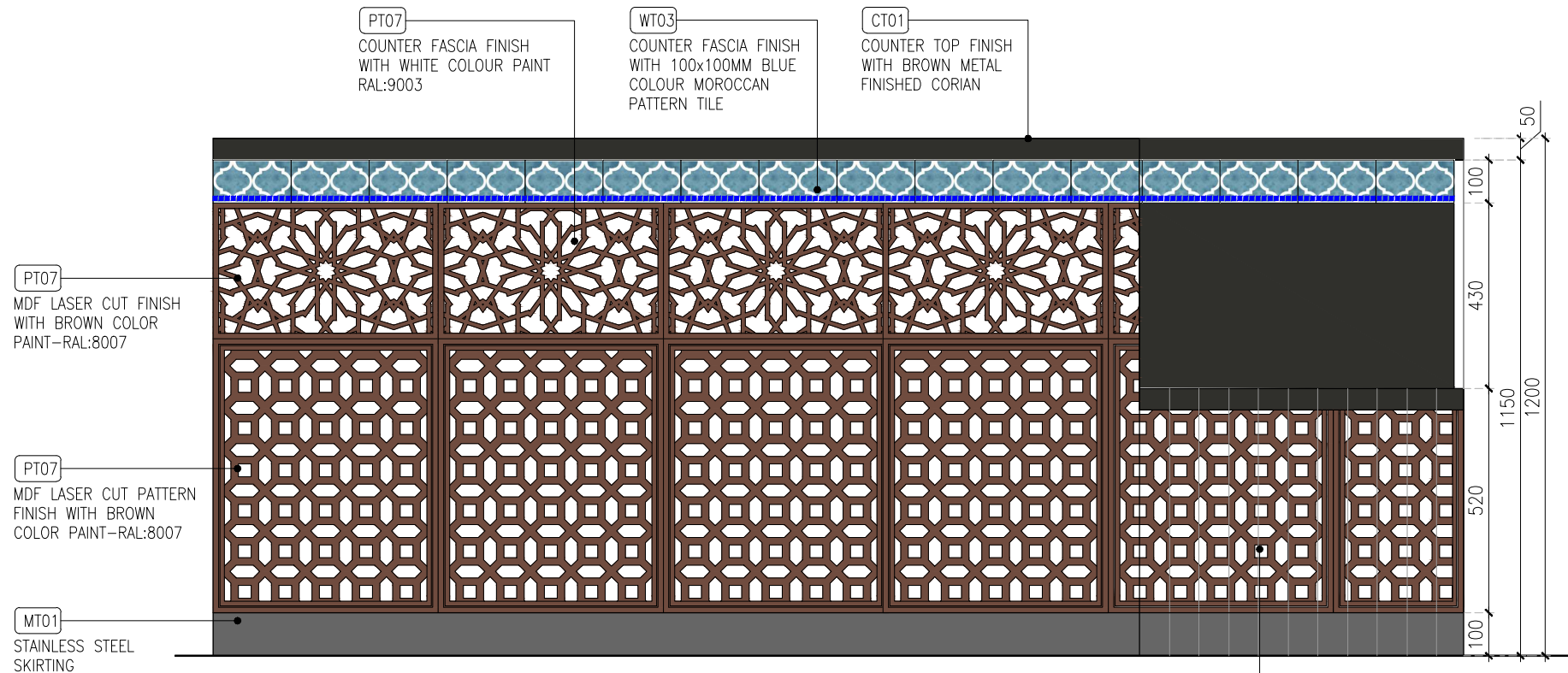
ALL DIMENSIONS MUST BE CHECKED ON SITE.
INFORM THE ENGINEER OF ANY DISCREPANCIES PRIOR TO CONSTRUCTION.



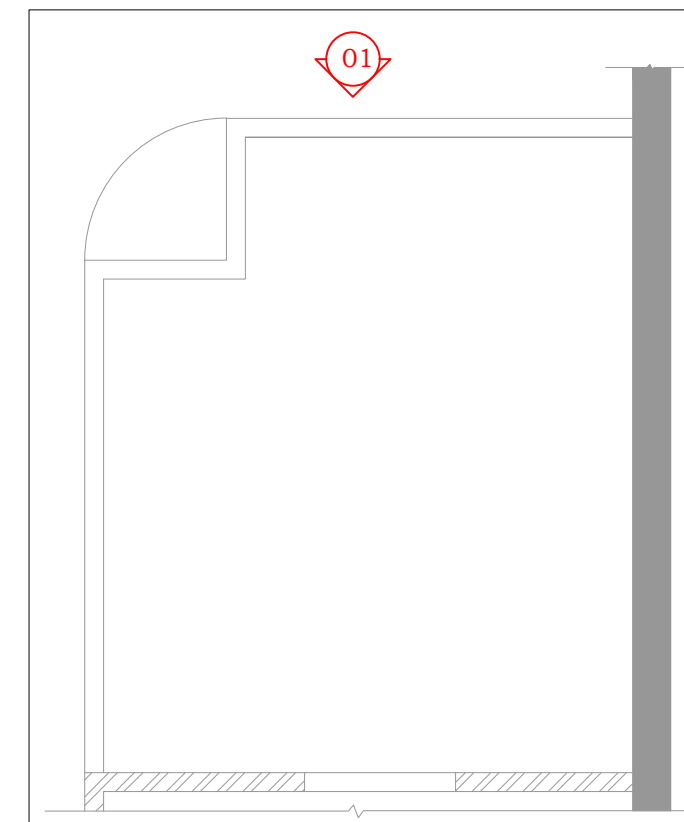
FRAMING PLAN @ 400 MM LEVEL (SCALE 1:30)



KEY PLAN



ELEVATION-01 (SCALE 1:15)



KEY PLAN

PT07
COUNTER FASCIA FINISH
WITH WHITE COLOUR PAINT
RAL:9003

T01	09.01.24	TENDER	HOD	NM
REV	DATE	DESCRIPTION	DRN	CHK



PROJECT
DILLI STREET
L5 LEVEL
T1, IGI AIRPORT
DELHI

DRAWING TITLE
J01- CHAATWALA KITCHEN
COUNTER DETAIL-PART:B

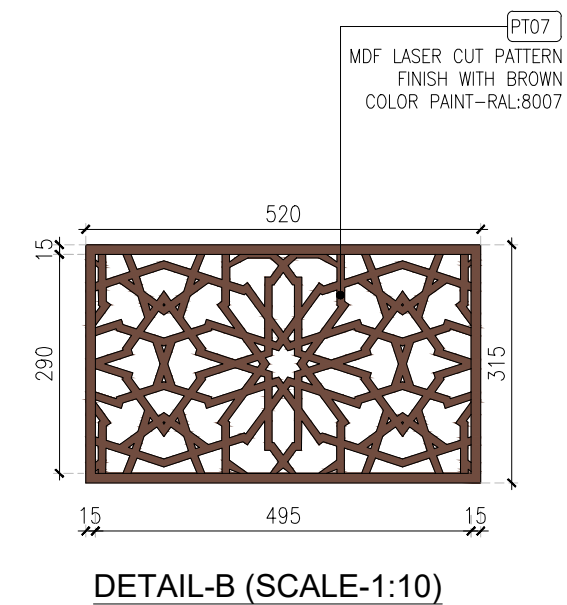
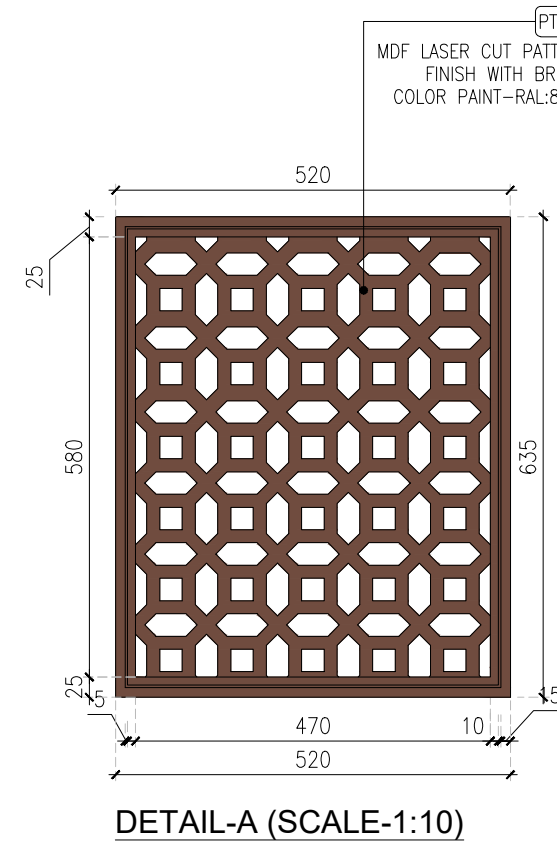
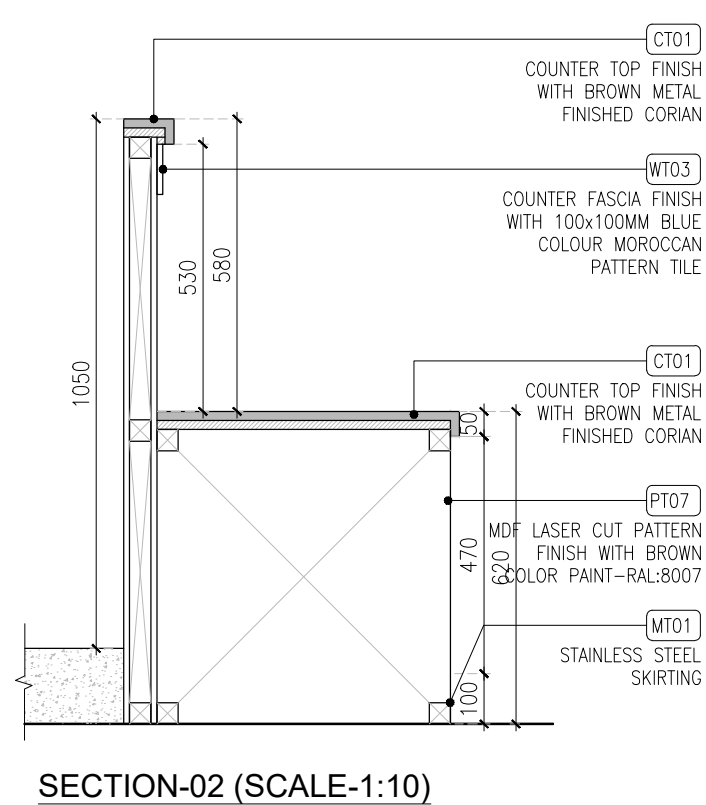
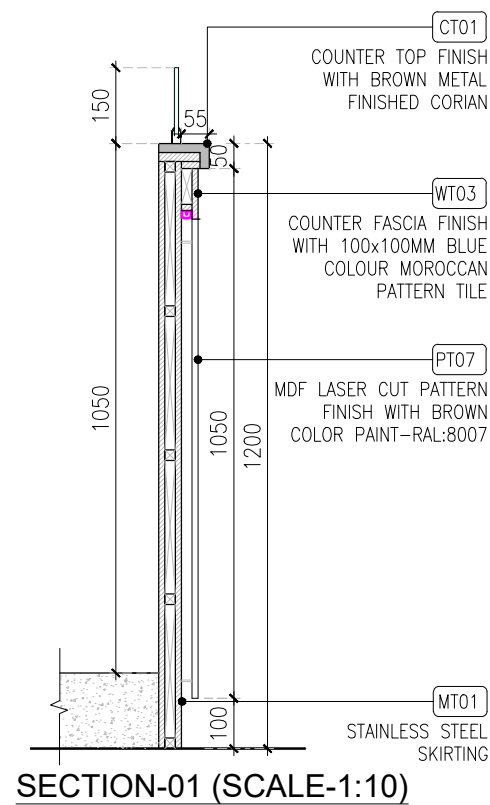
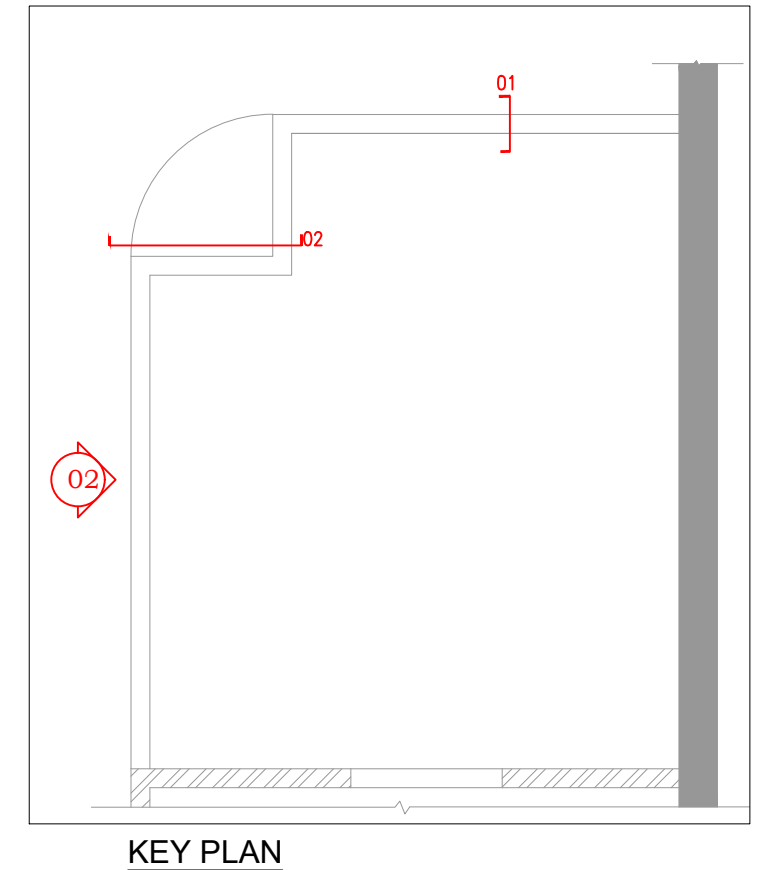
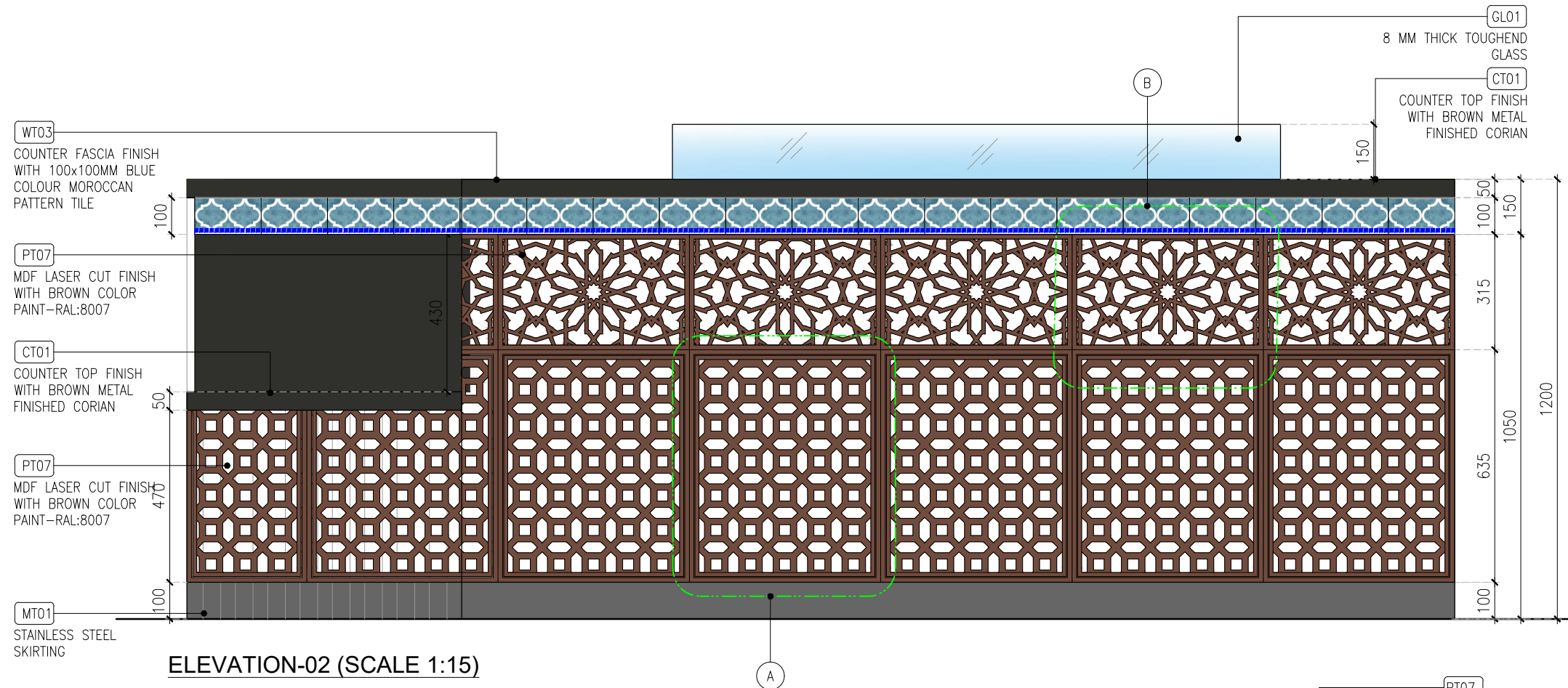
SCALE AS MENTIONED DATE 09.01.2024 DRAWN HOD A3 SHEET

STATUS
TENDER

ORG	PROJECT NO	DRAWING TYPE	NUMBER	REV
TFS	0000	04DE	401	T01

01 J01-CHAATWALA KITCHEN COUNTER DETAIL-PART:B

04DE-401



REV	DATE	DESCRIPTION	HOD	NM
T01	09.01.24	TENDER		
			DRN	CHK



PROJECT
DILLI STREET
L5 LEVEL
T1, IGI AIRPORT
DELHI

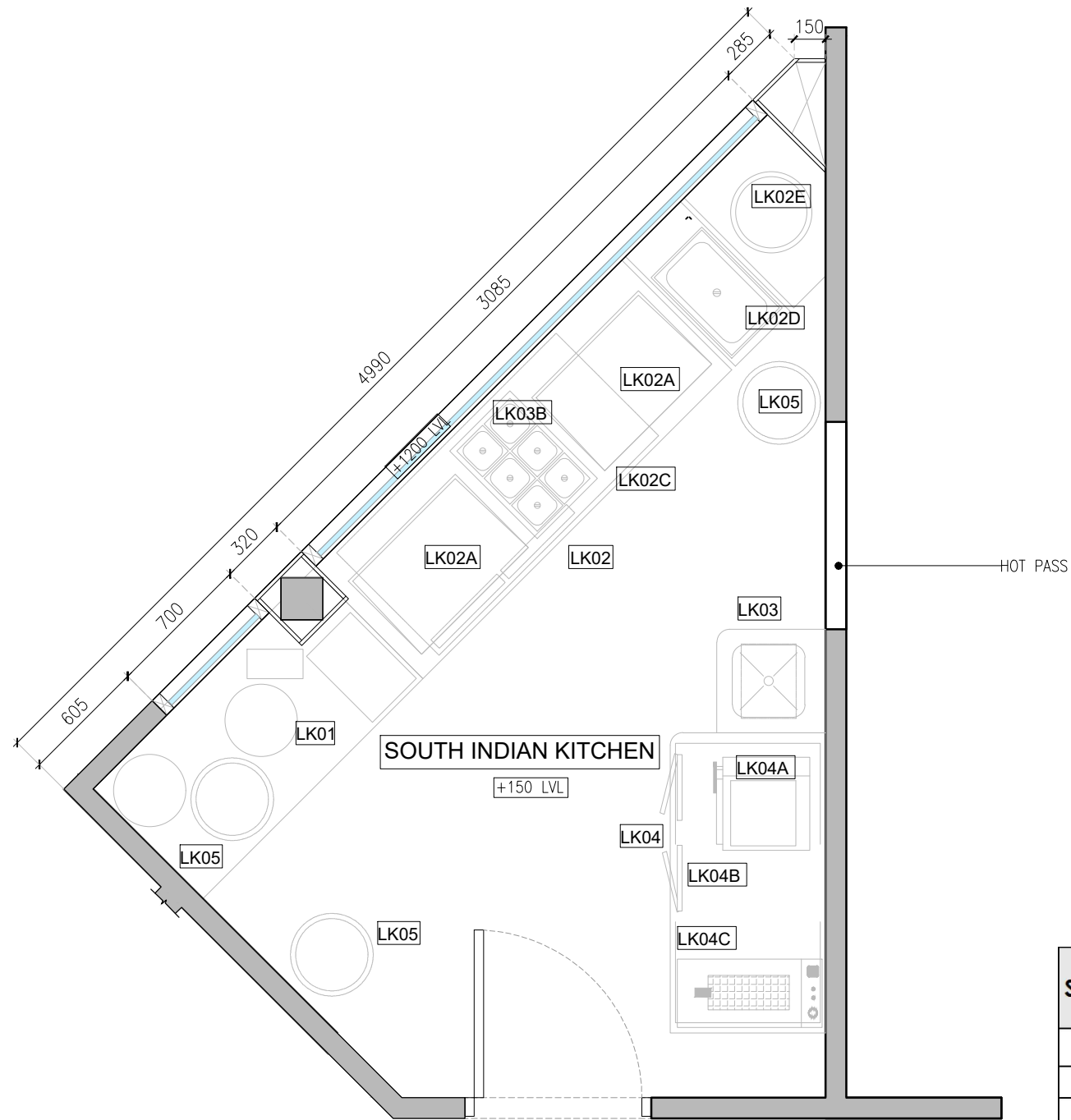
DRAWING TITLE
J01-CHAATWALA KITCHEN
COUNTER DETAIL-PART:C

SCALE AS MENTIONED DATE: 09.01.2024 DRAWN HOD: A3 SHEET

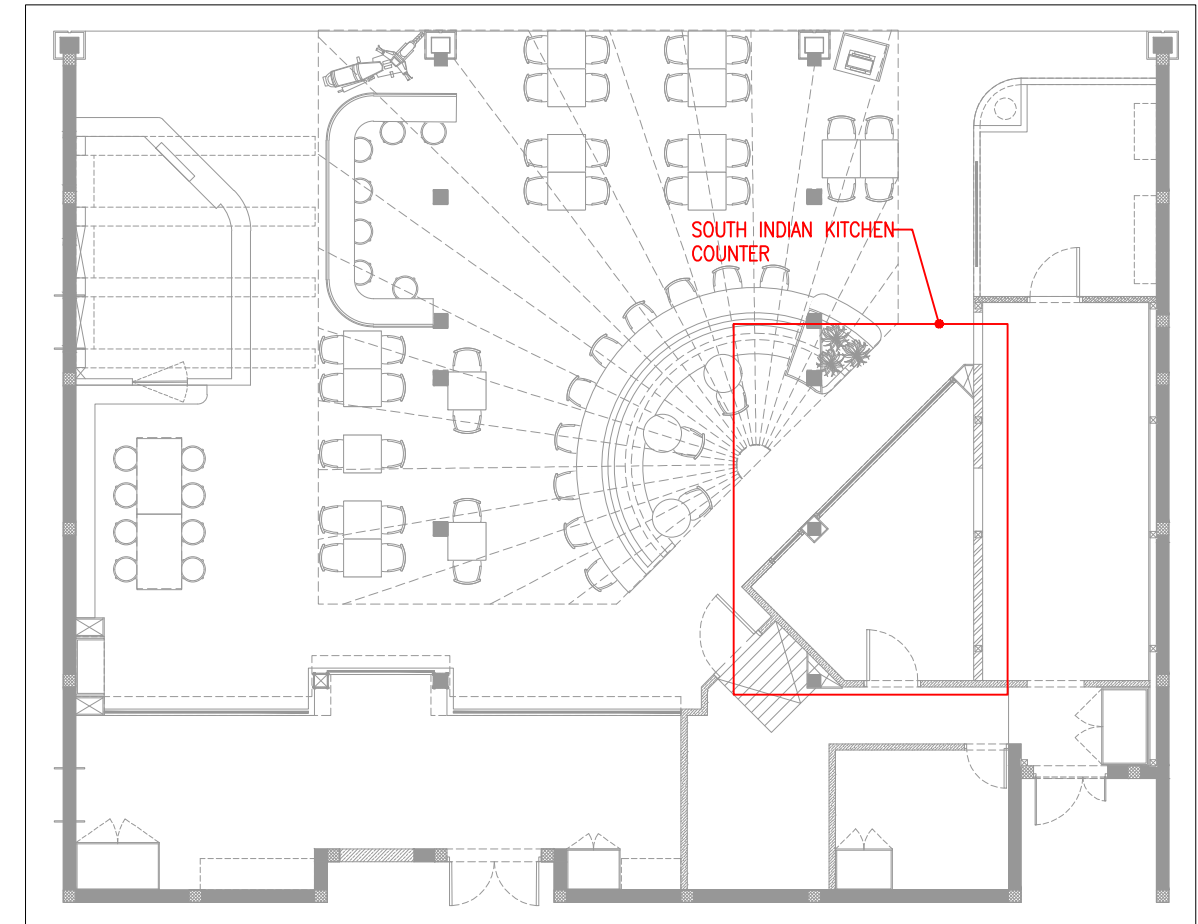
STATUS
TENDER

ORG	PROJECT NO	DRAWING TYPE	NUMBER	REV
TFS	0000	04DE	402	T01

01 J01-CHAATWALA KITCHEN COUNTER DETAIL-PART:C
04DE-402



TOP PLAN (SCALE-1:30)



KEY PLAN

SL NO	ITEM NO	PRODUCT DESCRIPTION	SIZE	QTY
SOUTH INDIAN KITCHEN AREA				
1	LK-01	FRONT COUNTER	1500 x 750	1
2	LK-01A	WATER BOILER FOR TEA	PRADEEP-111313	1
3	LK-01B	MILK BOILER	INSULATED 12 Ltrs.Cap.111612	1
4	LK-01C	FILTER COFFEE MACHINE	GEMINI 2000	1
5	LK-02	FRONT COUNTER	2750 x 750	1
6	LK-02A	TABLE TOP HOT PLATE	730X500X230	2
7	LK-02B	TABLE TOP AMBIENT BAIN MARIE 1/6 GN	SHOULD BE SUNK IN	1
8	LK-02C	4 DRAWER CHILLER	1500X700X600	1
9	LK-02D	TABLE TOP AMBIENT BAIN MARIE 1/1 GN	SHOULD BE SUNK IN	1
10	LK-02E	SUNKEN SOUP TURIN	8-10 LTR	1
11	LK-03	SINGLE SINK UNIT WITH PERFORATED TRAY & FAUCET	500 x 500 x 850	1
12	LK-03A	GREASE CHAMBER BELOW SINK UNIT	STD	1
13	LK-04	BACK COUNTER	1400 x 750	1
14	LK-04A	TABLE TOP IDLI STEAMER	6 TRAYS 54 CAP.	1
15	LK-04B	2 DOOR U/C REFRIGERATOR	1350 x 700 x 850	1
16	LK-04C	TABLE TOP DEEP FAT FRYER	ECO AUTOMATED 8 LTR.	1
17	LK-05	GARAGE BIN		3

T01 09.01.24 TENDER HOD NM
REV DATE DESCRIPTION DRN CHK



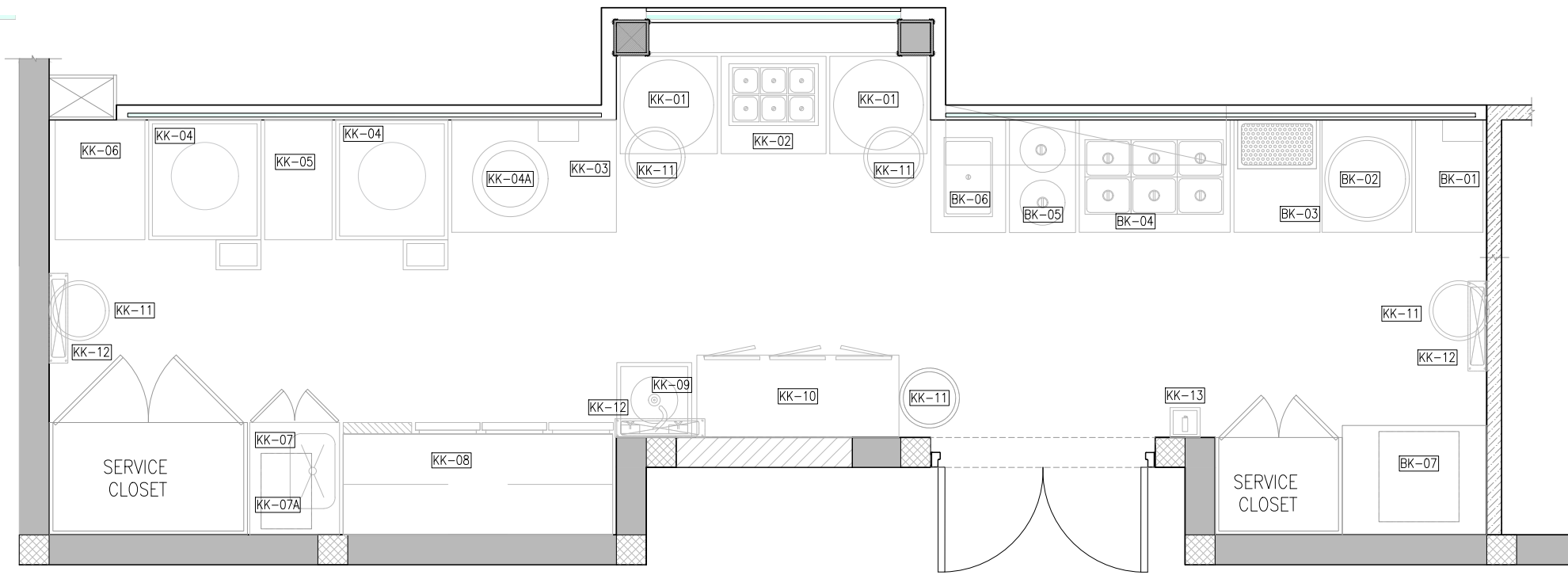
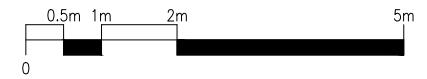
PROJECT
DILLI STREET
L5 LEVEL
T1 , IGI AIRPORT
DELHI

DRAWING TITLE
J02-SOUTH INDIAN KITCHEN
COUNTER DETAIL-PART:A

SCALE 1:25 DATE 09.01.2024 DRAWN HOD A3 SHEET

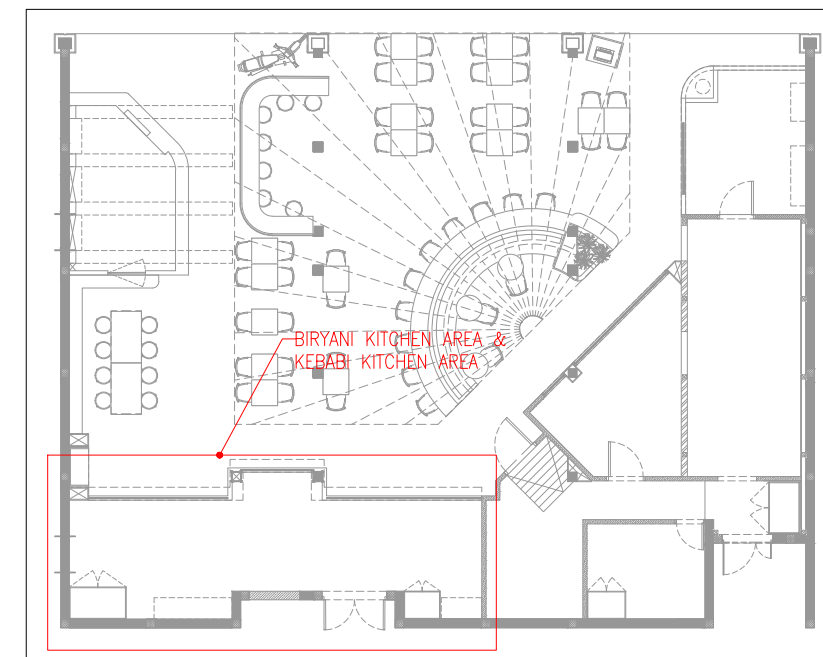
STATUS
TENDER

ORG PROJECT NO DRAWING TYPE NUMBER REV
TFS 0000 04DE 403 T01



EQUIPMENT LAYOUT (SCALE:1:40)

EQUIPMENT LEGEND				
#	CODE	PRODUCT DESCRIPTION	SIZE	QTY
BIRYANI KITCHEN AREA				
1	BK-01	WORK TABLE WITH 2 U/S	450 x 750 x 850+ 50	1
2	BK-02	BHATURE FRYER	600 x 750 x 850+ 50	1
3	BK-03	FRY DUMP STATION WITH OIL DRAIN SYSTEM	575 x 750 x 850+ 50	1
4	BK-04	HOT BAIN MARIE WITH 1 U/S	1000 x 750 x 850+ 50	1
5	BK-05	ROUND TYPE HOT BAIN MARIE WITH 1 U/S	450 x 750 x 850+ 50	1
6	BK-06	COLD BAIN MARIE 1/1 GN	500 x 750 x 850+ 50	1
7	BK-07	U/C CHILLER WITH GLASS DOOR	900 x 600 x 850	1
KEBABI KITCHEN AREA				
8	KK-01	WORK TABLE WITH 2 U/S	650 x 650 x 850+ 50	1
9	KK-01A	TABLE TOP ROUND TAWA	650 x 650 x 250	2
10	KK-02	WORK TABLE WITH 2 U/S	800 x 650 x 850+ 50	1
11	KK-03	TABLE TOP SUNKEN AMBIENT BAIN MARIE 1/6 GN	400X550X230	1
12	KK-04	WORK TABLE WITH 2 U/S	1100x 750 x 750+ 50	1
13	KK-04A	TABLE TOP ROOMALI TAWA	STD	1
14	KK-05	ELECTRIC TANDOOR	750x 800 x 950	2
15	KK-06	KEBAB TROLLEY WITH HANGING ROD	600x 750 x 950+ 50	1
16	KK-07	SINGLE SINK UNIT WITH PERFORATED TRAY & FAUCET	450 x 900 x 850+ 50	1
17	KK-07A	NUGREEN GREASE TRAP	STD	1
18	KK-08	3 DOOR U/C REFRIGERATOR	1800 x 700 x 850	1
19	KK-09	KNEE OPERATED HAND WASH SINK	500 x 500 x 850 + 50	1
20	KK-10	3 DOOR BACK BAR COOLER	1350 x 500 x 900	1
21	KK-11	GARBAGE BIN	-	5
22	KK-12	INSECT KILLER	-	3
23	KK-13	FIRE EXTINGUISHER	-	1



KEY PLAN

T01 09.01.24 TENDER HOD NM
REV DATE DESCRIPTION DRN CHK



PROJECT
DILLI STREAT
L5 LEVEL
T1 , IGI AIRPORT
DELHI

DRAWING TITLE
J03 - USTAAD COUNTER
DETAIL PART-A

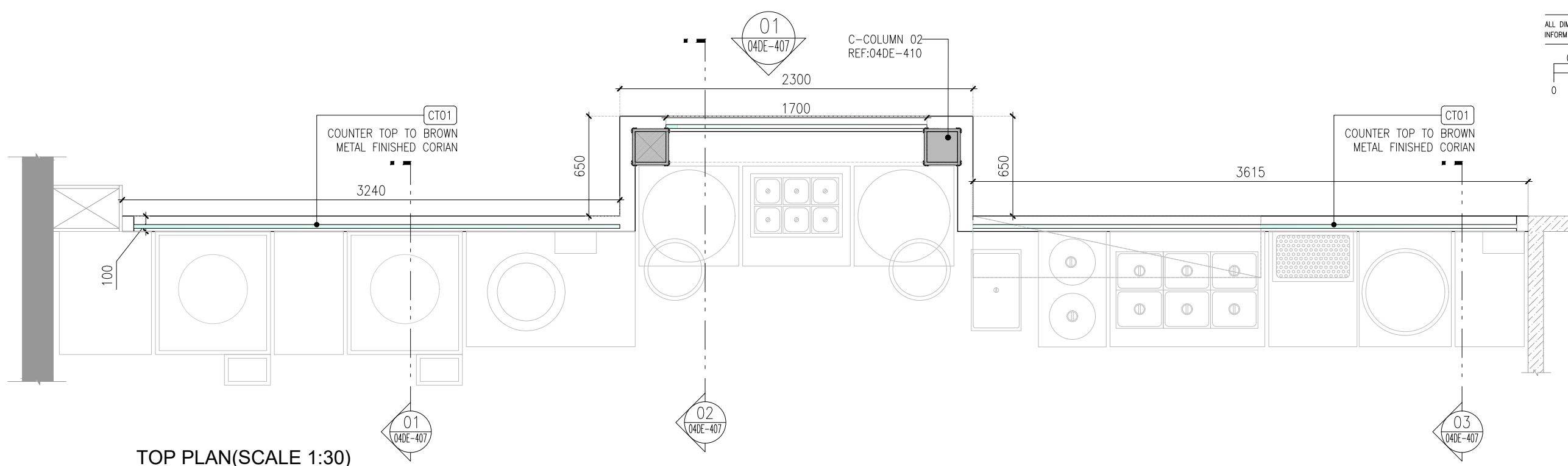
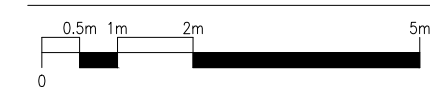
SCALE 1:40 DATE 09.01.2024 DRAWN HOD A3 SHEET

STATUS

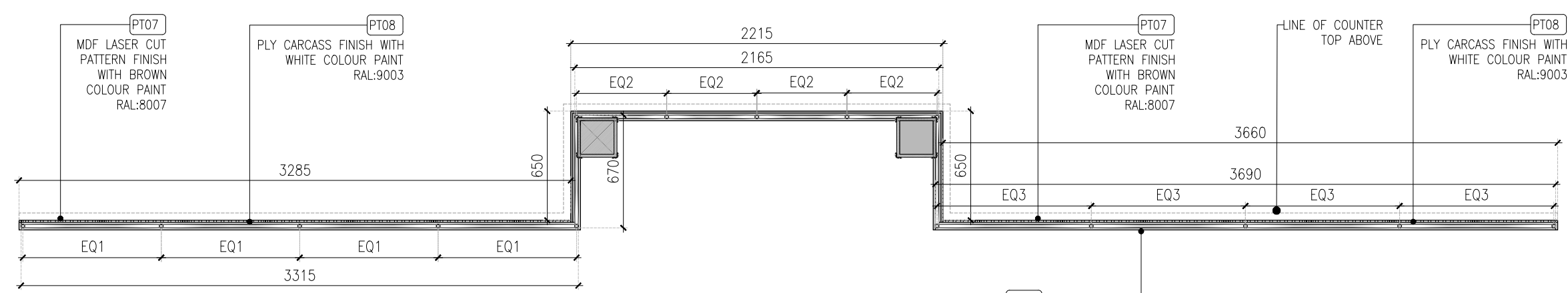
TENDER

ORG PROJECT NO DRAWING TYPE NUMBER REV
TFS 0000 04DE 405 T01

ALL DIMENSIONS MUST BE CHECKED ON SITE.
INFORM THE ENGINEER OF ANY DISCREPANCIES PRIOR TO CONSTRUCTION.

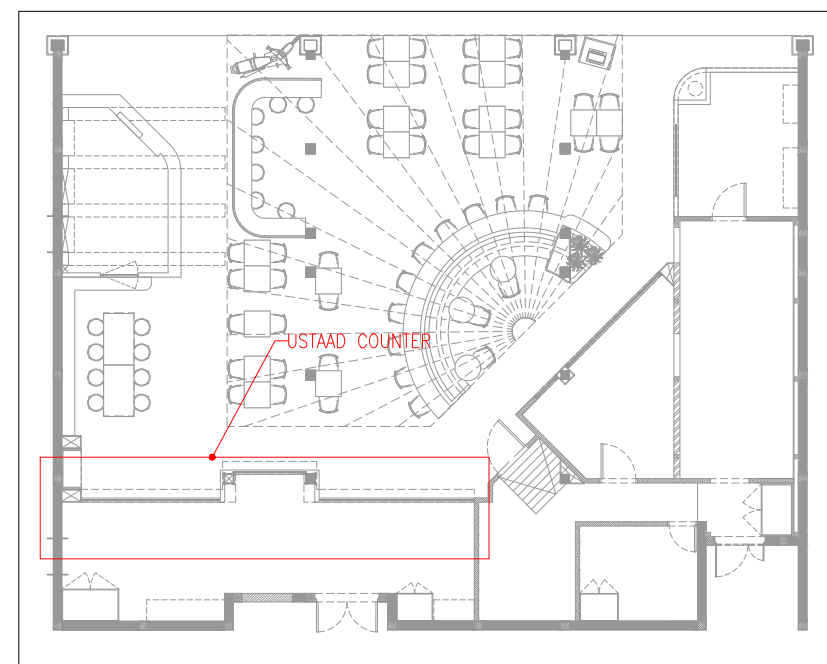


TOP PLAN (SCALE 1:30)



FRAMING PLAN @500MM LVL (SCALE 1:30)

01 J03-USTAAD COUNTER DETAIL PART-B
04DE-406



KEY PLAN

REV	DATE	DESCRIPTION	HOD	NM
T01	09.01.24	TENDER		



PROJECT
DILLI STREAT
L5 LEVEL
T1, IGI AIRPORT
DELHI

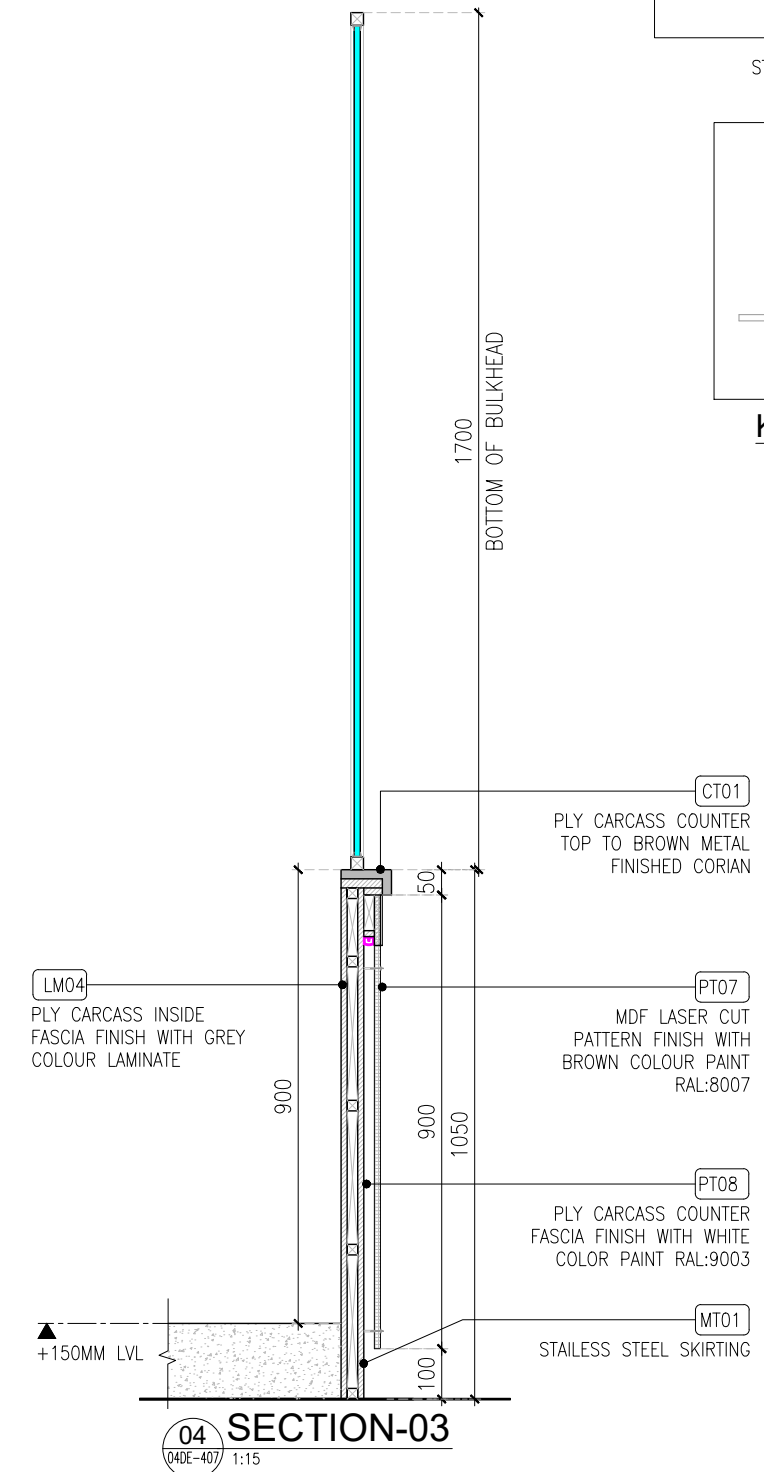
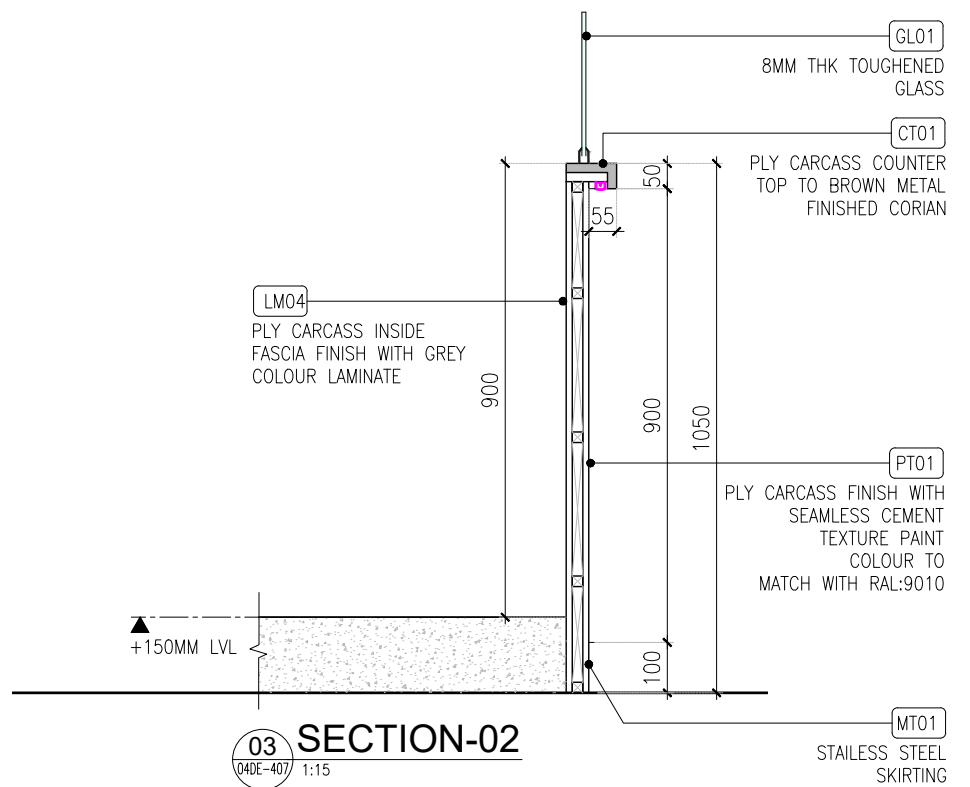
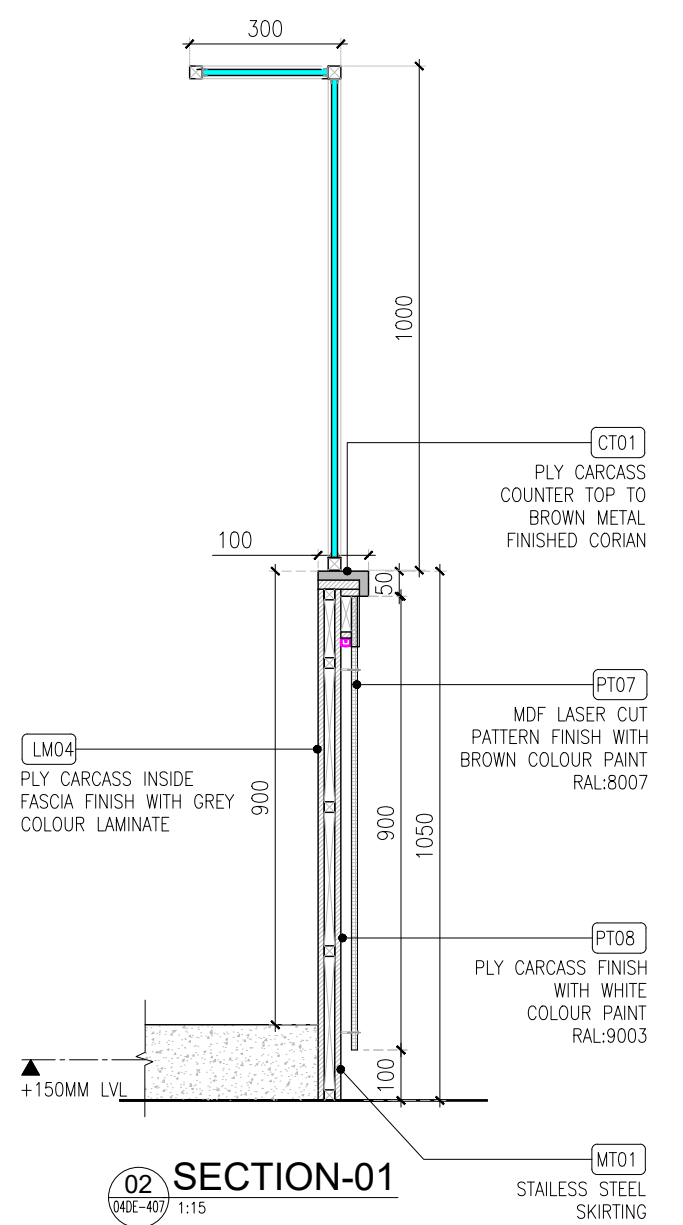
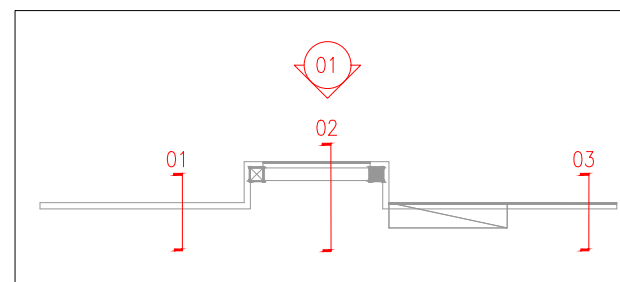
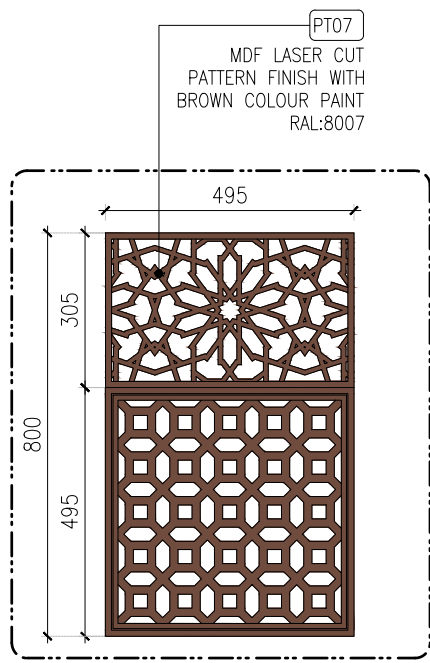
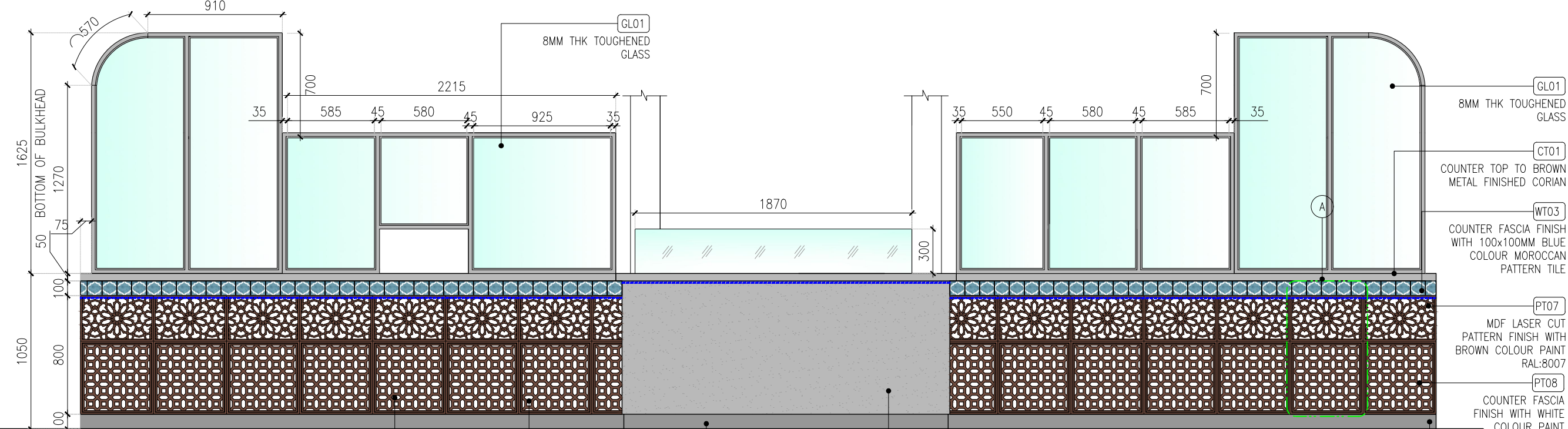
DRAWING TITLE
J03 - USTAAD COUNTER
DETAIL PART-B

SCALE AS MENTIONED DATE 09.01.2024 DRAWN HOD A3 SHEET

STATUS
TENDER

ORG	PROJECT NO	DRAWING TYPE	NUMBER	REV
TFS	0000	04DE	406	T01

ALL DIMENSIONS MUST BE CHECKED ON SITE.
INFORM THE ENGINEER OF ANY DISCREPANCIES PRIOR TO CONSTRUCTION.



T01	09.01.24	TENDER	HOD	NM
REV	DATE	DESCRIPTION	DRN	CHK



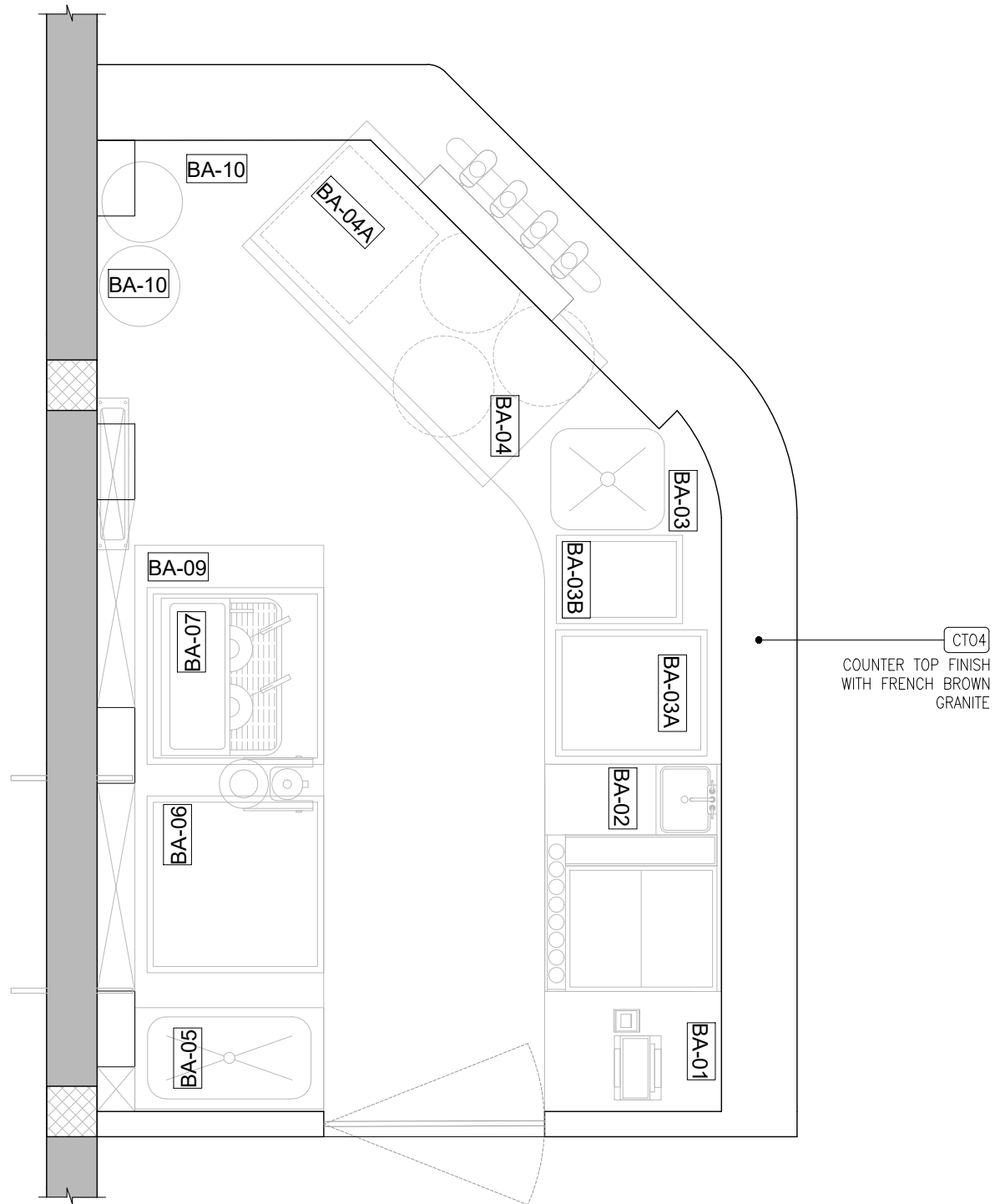
PROJECT
DILLI STREAT
L5 LEVEL
T1, IGI AIRPORT
DELHI

DRAWING TITLE
J03 - USTAAD COUNTER
DETAIL PART-C

SCALE AS MENTIONED DATE: 09.01.2024 DRAWN HOD: A3 SHEET

STATUS
TENDER

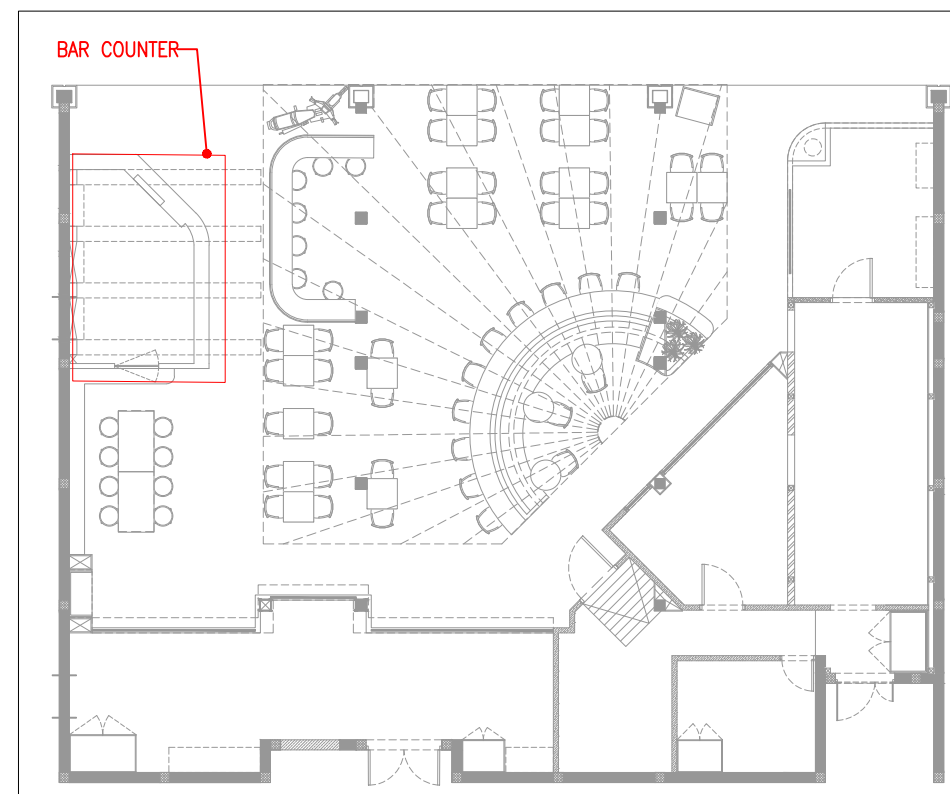
ORG: TFS PROJECT NO: 0000 DRAWING TYPE: 04DE NUMBER: 407 REV: T01



TOP PLAN

01 J04-BAR COUNTER DETAIL PART-A
04DE-408/ 1:25

EQUIPMENT LEGEND				
SL.NO.	CODE	DESCRIPTION	SIZE	COUNT
1	BA01	POS STATION WITH U/C STORAGE CABINET	500 x 700 x 900	1
2	BA02	COCKTAIL STATION WITH SINK & ICE CHEST & BOTTLE RAIL	900 x 700 x 900+ 50	1
3	BA03	WORK TABLE WITH SINK	MEASUREMENT CHECK ON SITE	1
4	BA03A	U/C GLASS WASH MACHINE	STD	1
5	BA03B	GREASE CHAMBER BELOW SINK UNIT	STD	1
6	BA04	4 SIDE OPEN TABLE	1350 x 700 x 900+ 50	1
7	BA04A	U/C BEER CHILLING MACHINE	450 X 450 X 800	1
8	BA05	SMALL SINK	400 x 700 x 850 + 50	1
9	BA06	U/C ICE CUBE MACHINE	503 x 456 x 840	1
10	BA07	TABLE TOP COFFEE MACHINE WITH MILK BOILER	STD	1
11	BA08	SINGLE DOOR U/C BOTTLE COOLER	600 x 520 x 900	1
12	BA08A	BLENDER	STD	1
13	BA09	INSECT KILLER	-	1
14	BA10	CO2 CYLINDER	-	2



KEYPLAN

REV	DATE	DESCRIPTION	HOD	CHK
T01	09.01.24	TENDER	HOD	HOD



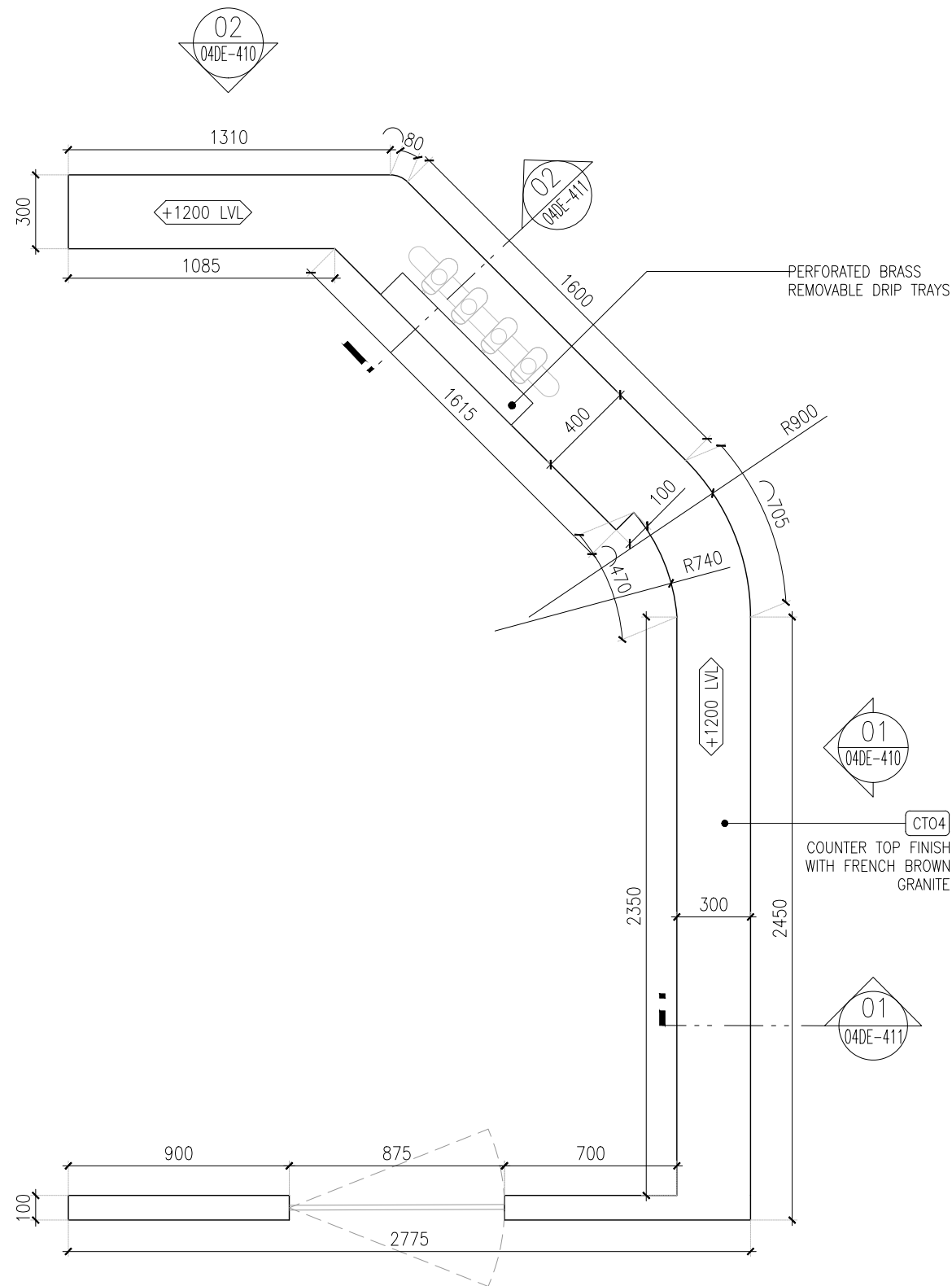
PROJECT
DILLI STREET
L5 LEVEL
T1 , IGI AIRPORT
DELHI

DRAWING TITLE
J04-BAR COUNTER DETAIL PART-A

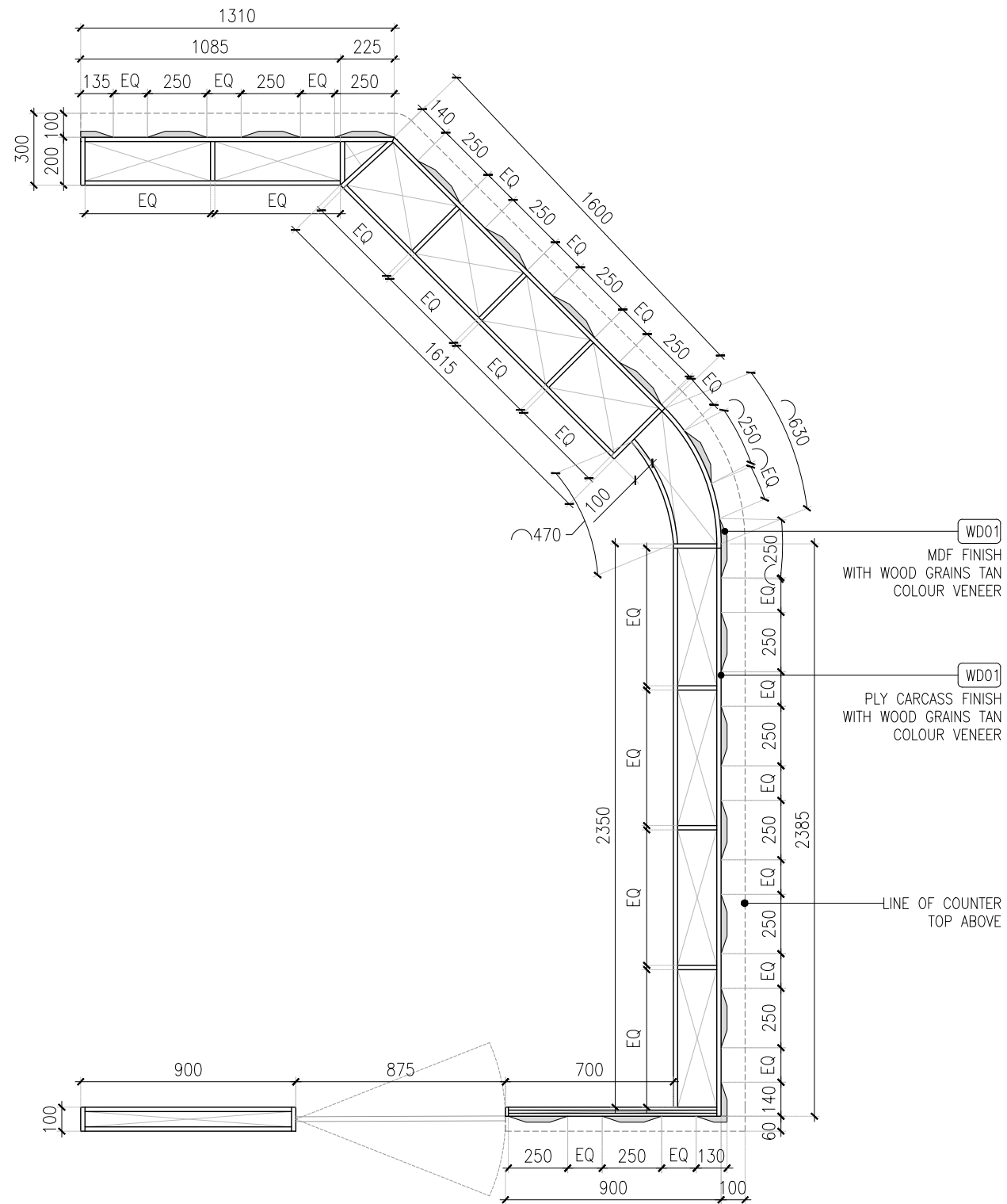
SCALE 1:25 DATE 09.01.2024 DRAWN HOD A3 SHEET

STATUS
TENDER

ORG	PROJECT NO	DRAWING TYPE	NUMBER	REV
TFS	0000	04DE	408	T01



TOP PLAN



FRAMING PLAN @ 300 MM LVL

01 04DE-409 1:25 **J04-BAR COUNTER DETAIL PART-B**

REV DATE	DESCRIPTION	HOD	CHK
T01 09.01.24	TENDER		



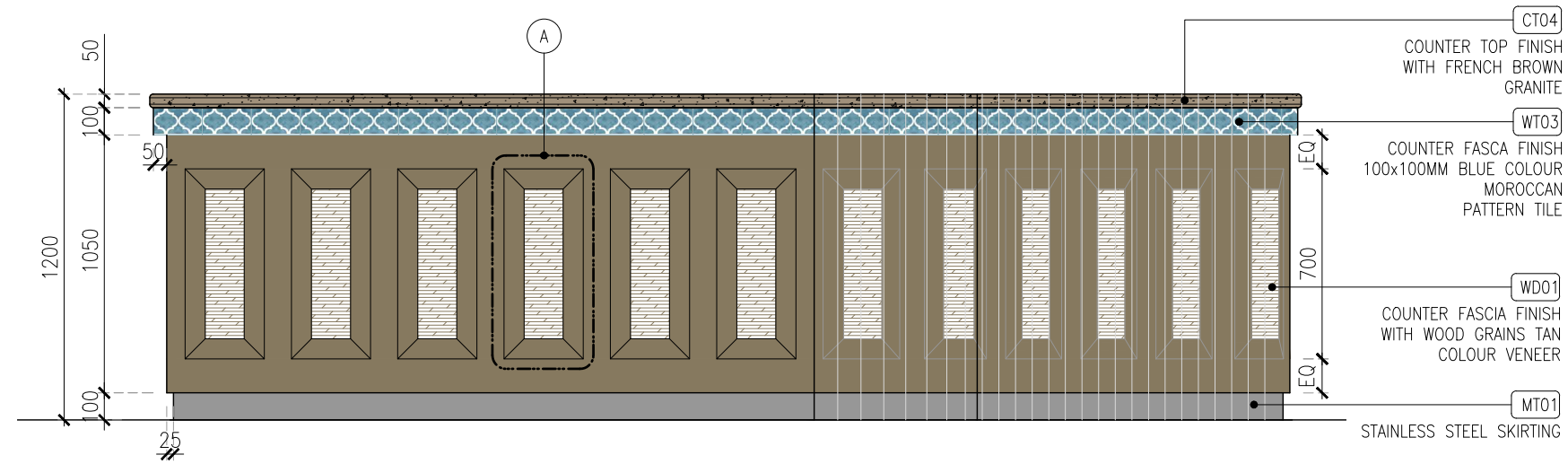
PROJECT
DILLI STREET
L5 LEVEL
T1 , IGI AIRPORT
DELHI

DRAWING TITLE
J04-BAR COUNTER DETAIL PART-B

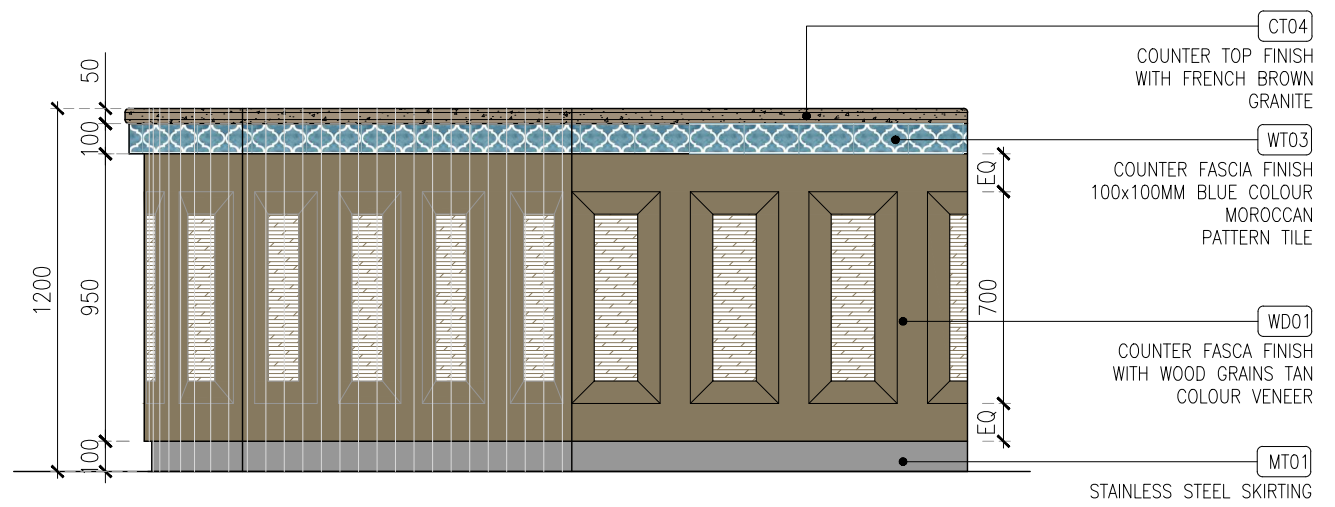
SCALE 1:25 DATE 09.01.2024 DRAWN HOD A3 SHEET

STATUS
TENDER

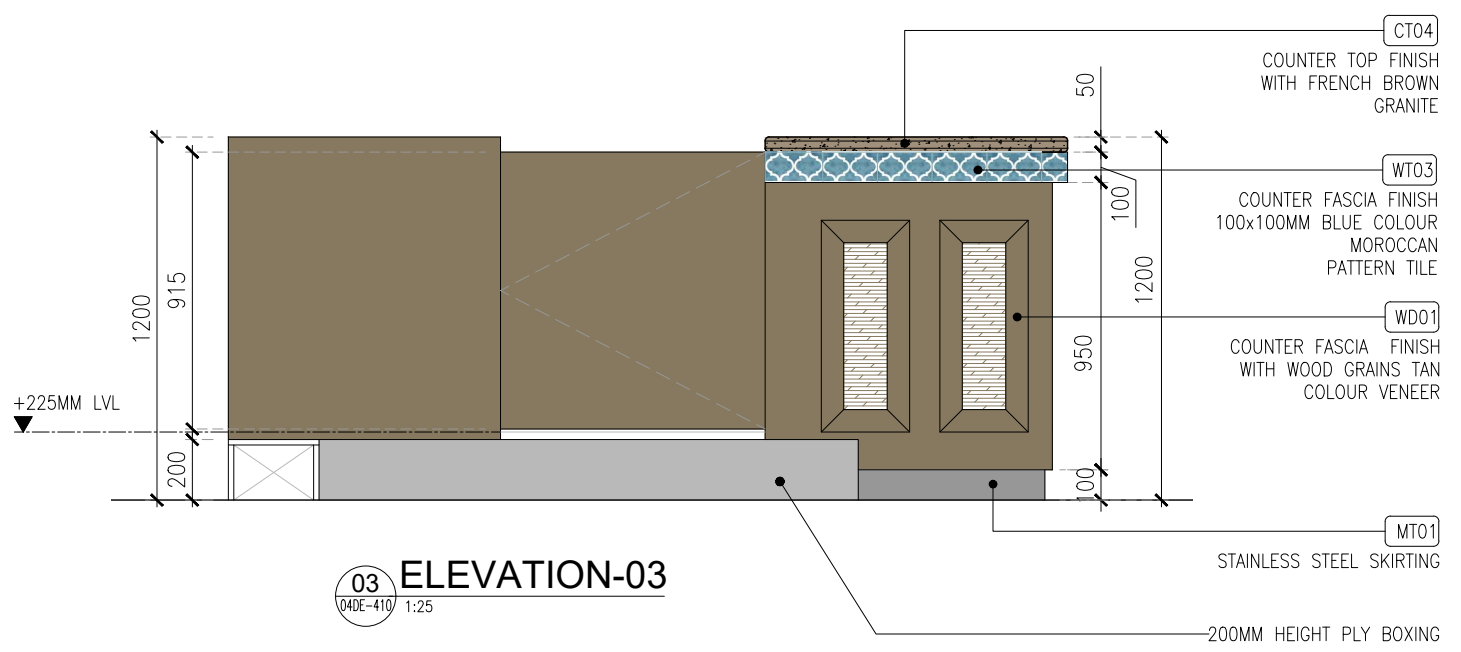
ORG	PROJECT NO	DRAWING TYPE	NUMBER	REV
TFS	0000	04DE	409	T01



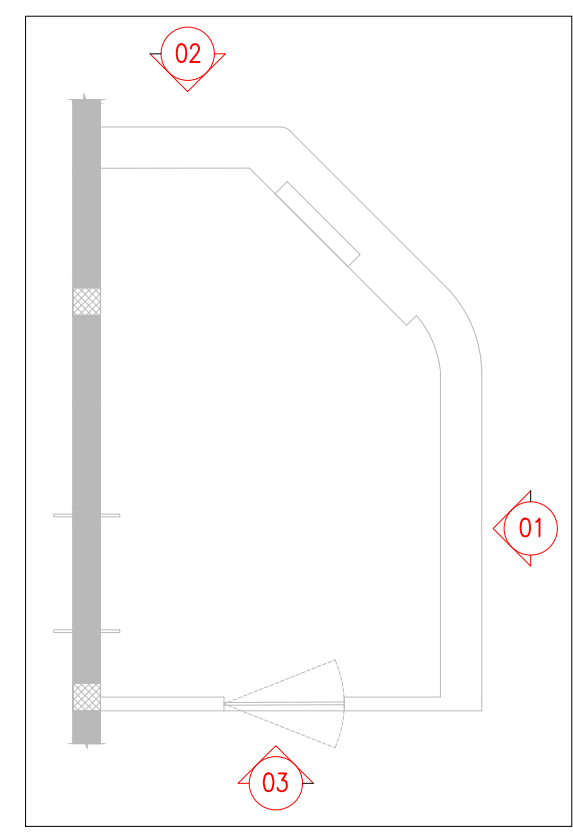
01 ELEVATION-01
04DE-410 1:25



02 ELEVATION-02
04DE-410 1:25



03 ELEVATION-03
04DE-410 1:25



KEY PLAN

REV	DATE	DESCRIPTION	HOD	CHK
T01	09.01.24	TENDER	HOD	HOD



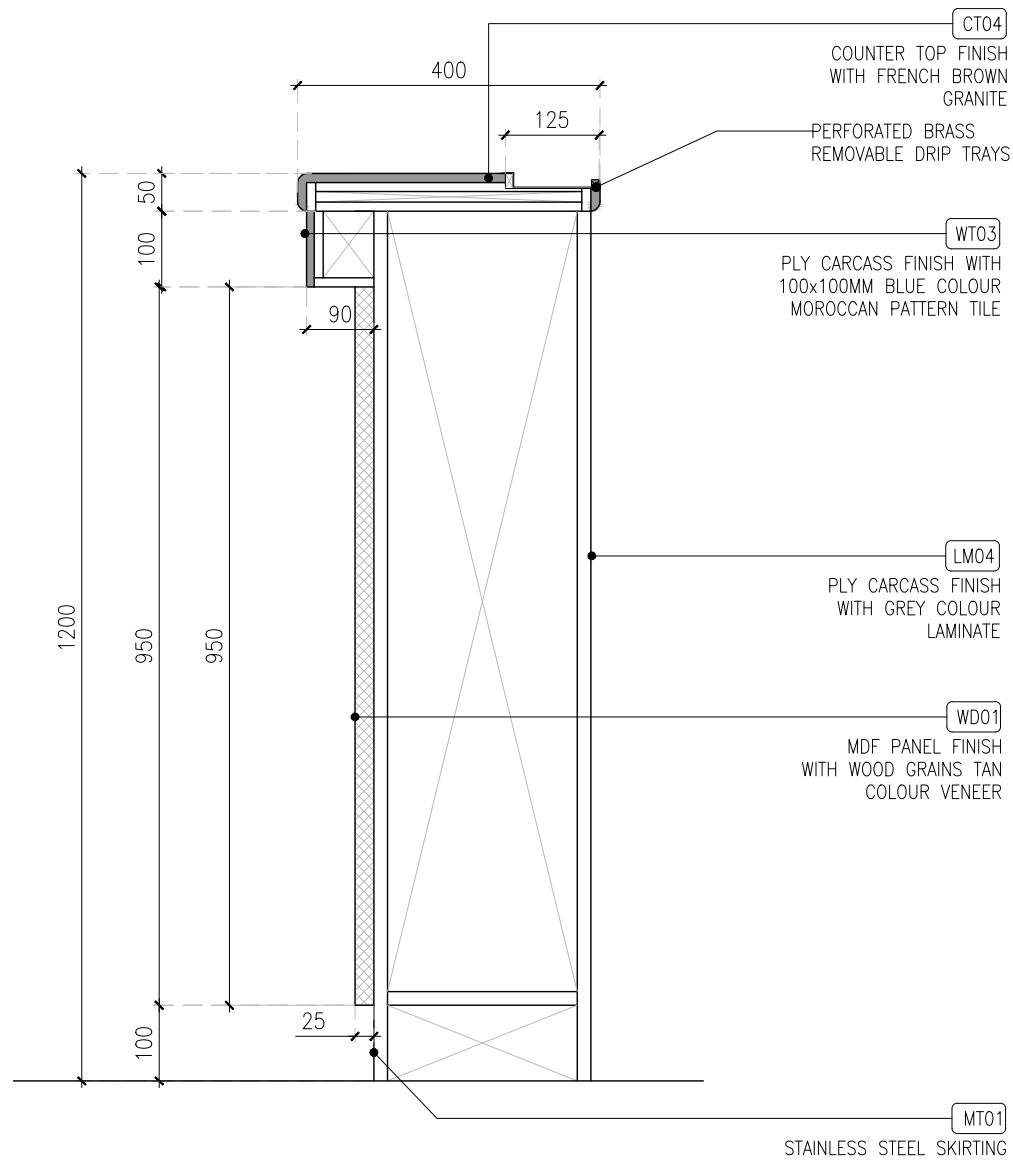
PROJECT
**DILLI STREET
L5 LEVEL
T1 , IGI AIRPORT
DELHI**

DRAWING TITLE
J04-BAR COUNTER DETAIL PART-C

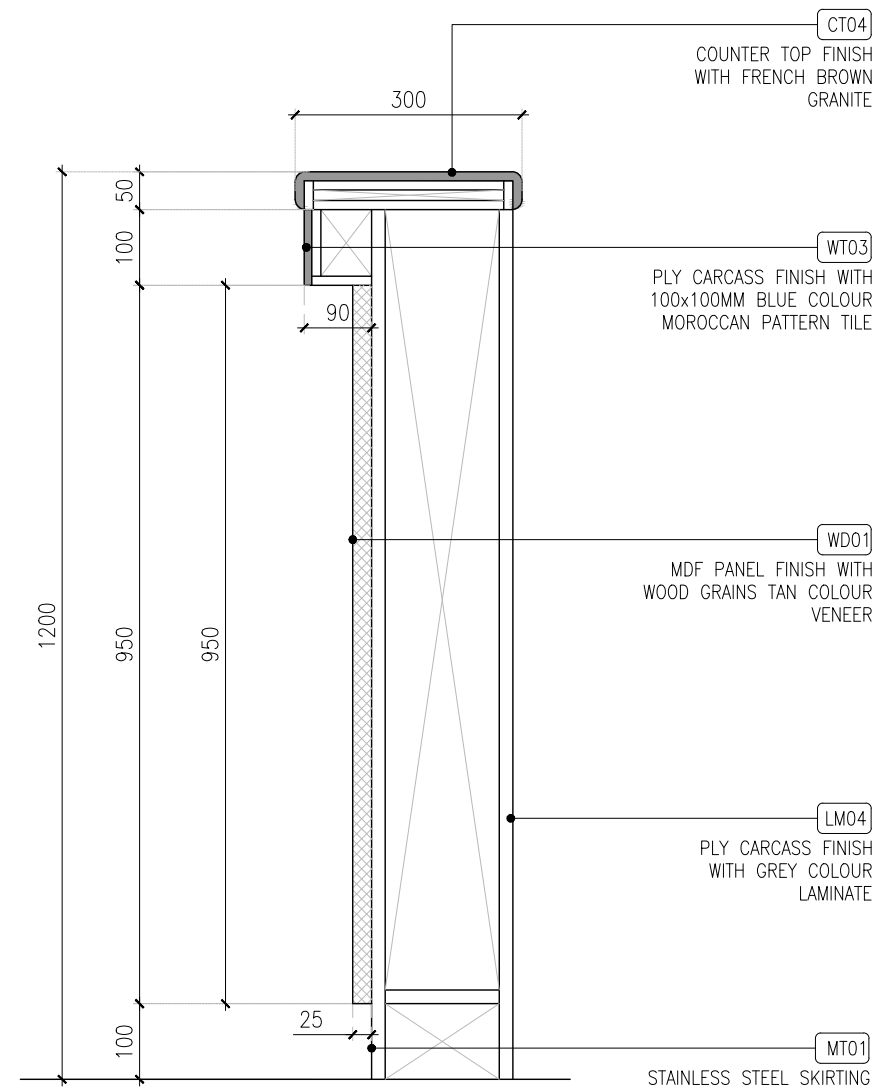
SCALE 1:25 DATE 09.01.2024 DRAWN HOD A3 SHEET

STATUS
TENDER

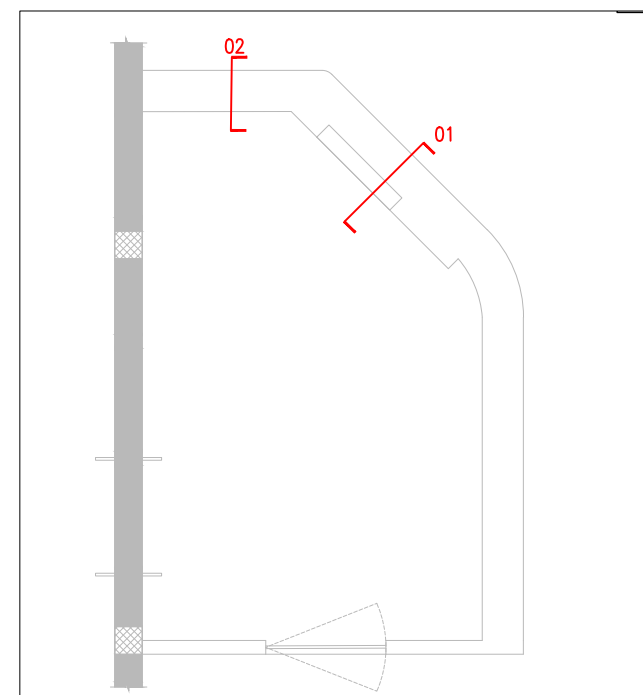
ORG	PROJECT NO	DRAWING TYPE	NUMBER	REV
TFS	0000	04DE	410	T01



01 SECTION-01
04DE-411 1:10



02 SECTION-02
04DE-411 1:10



KEY PLAN

T01	09.01.24	TENDER	HOD	HOD
REV	DATE	DESCRIPTION	DRN	CHK



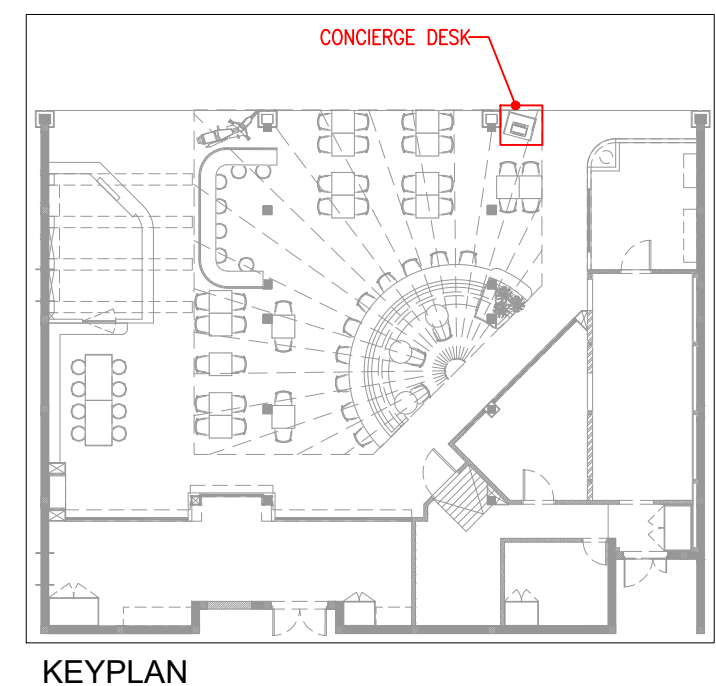
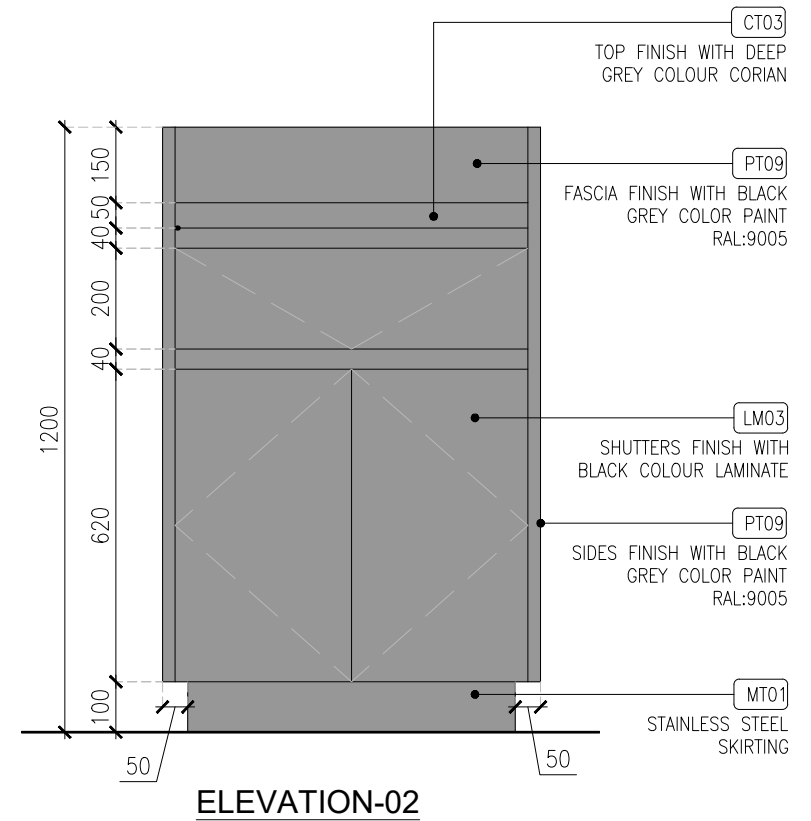
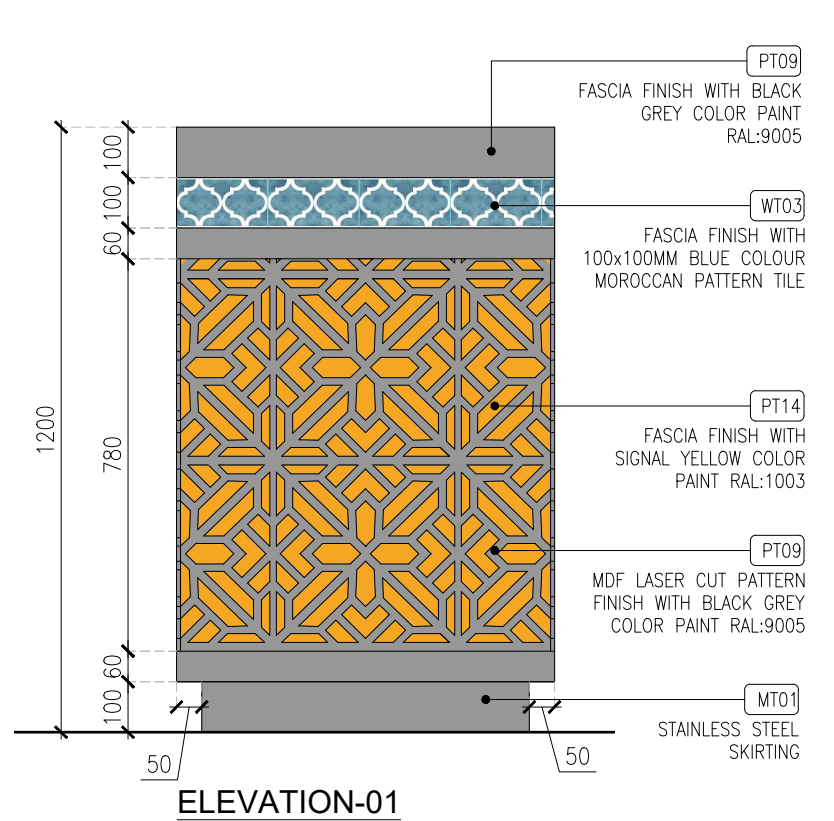
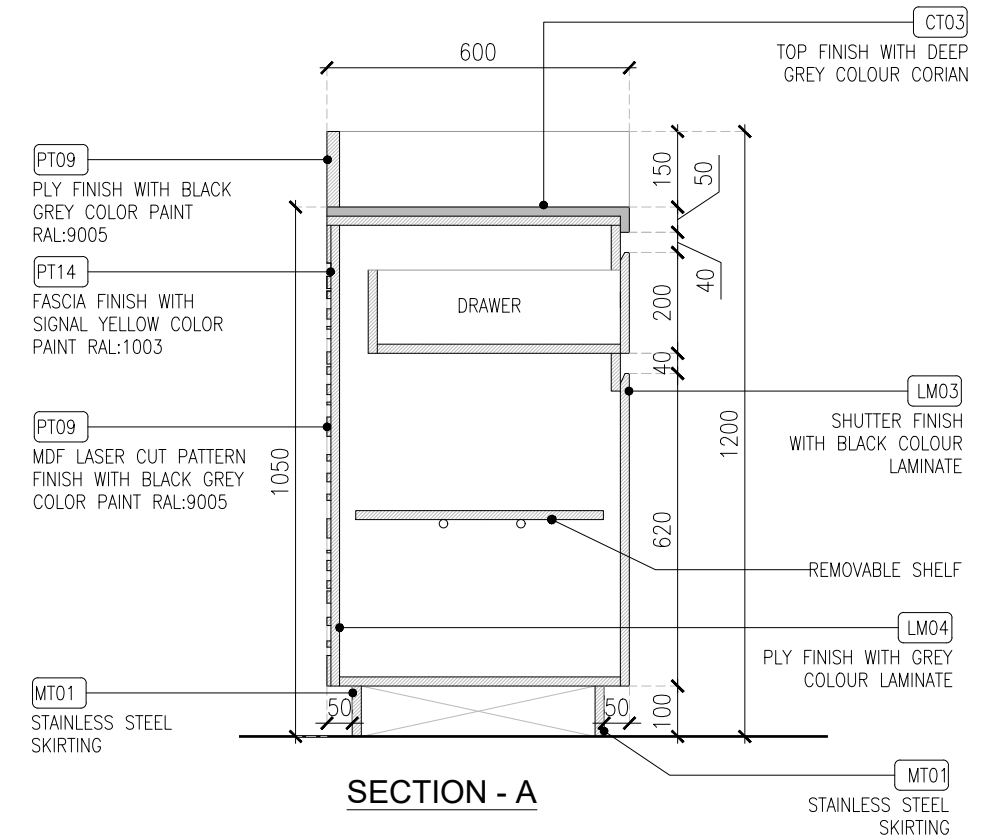
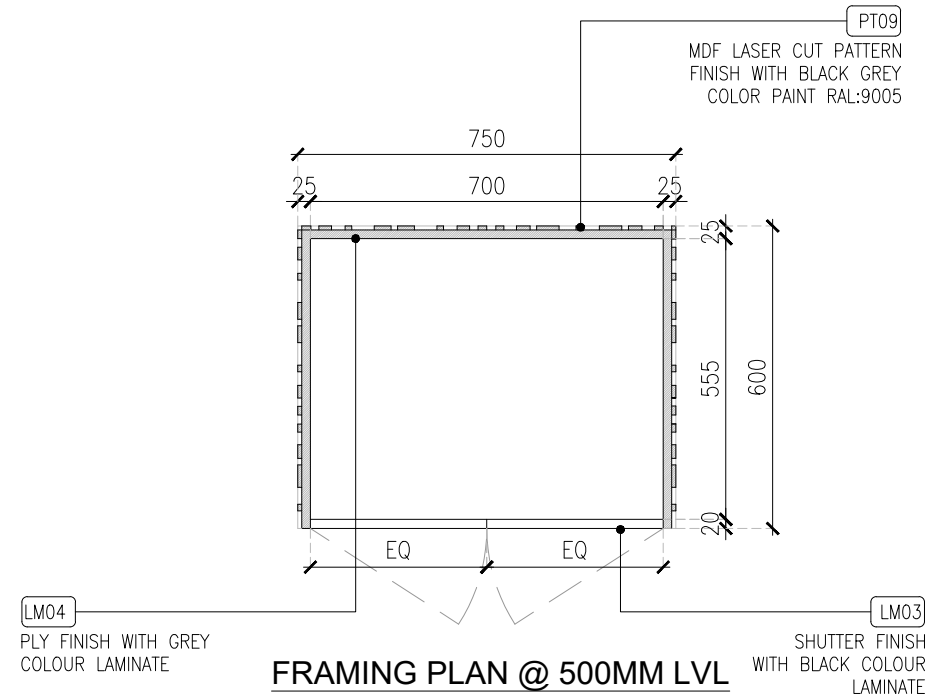
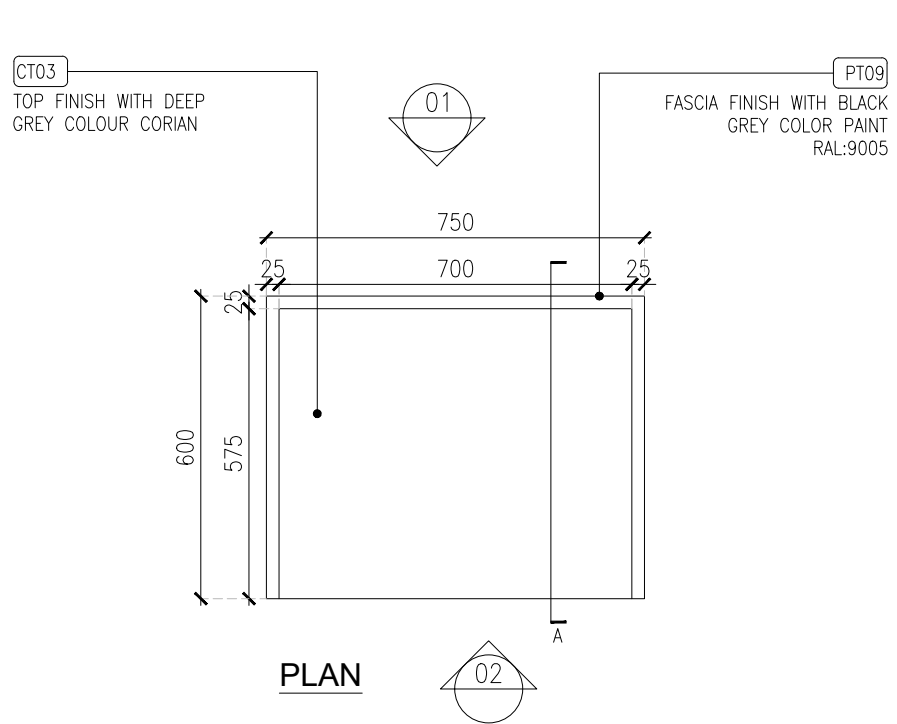
PROJECT
DILLI STREAT
L5 LEVEL
T1 , IGI AIRPORT
DELHI

DRAWING TITLE
J04-BAR COUNTER DETAIL PART-D

SCALE 1:10 DATE 09.01.2024 DRAWN/HOD A3 SHEET

STATUS
TENDER

ORG	PROJECT NO	DRAWING TYPE	NUMBER	REV
TFS	0000	04DE	411	T01



T01	09.01.24	TENDER	HOD	NM
REV	DATE	DESCRIPTION	DRN	CHK



PROJECT
**DILLI STREET
L5 LEVEL
T1, IGI AIRPORT
DELHI**

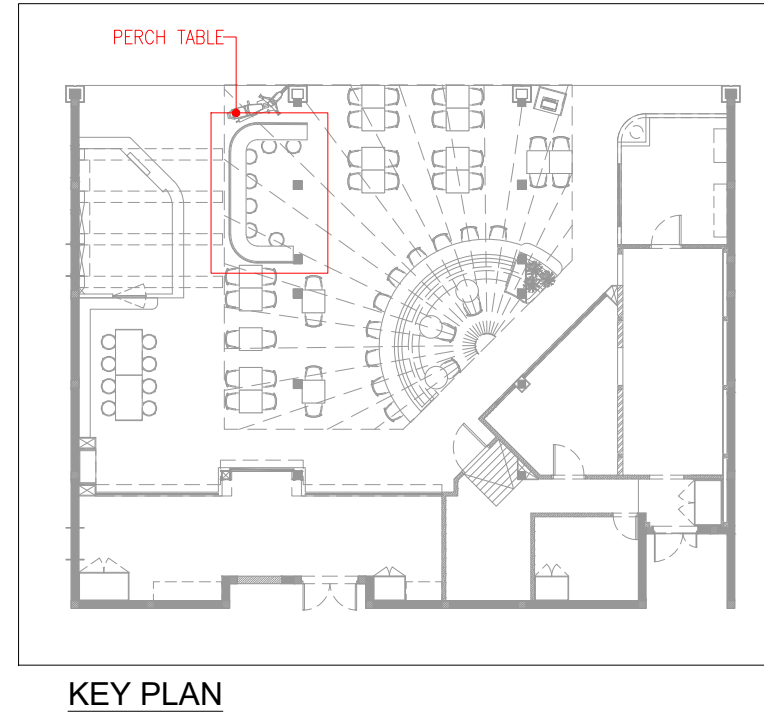
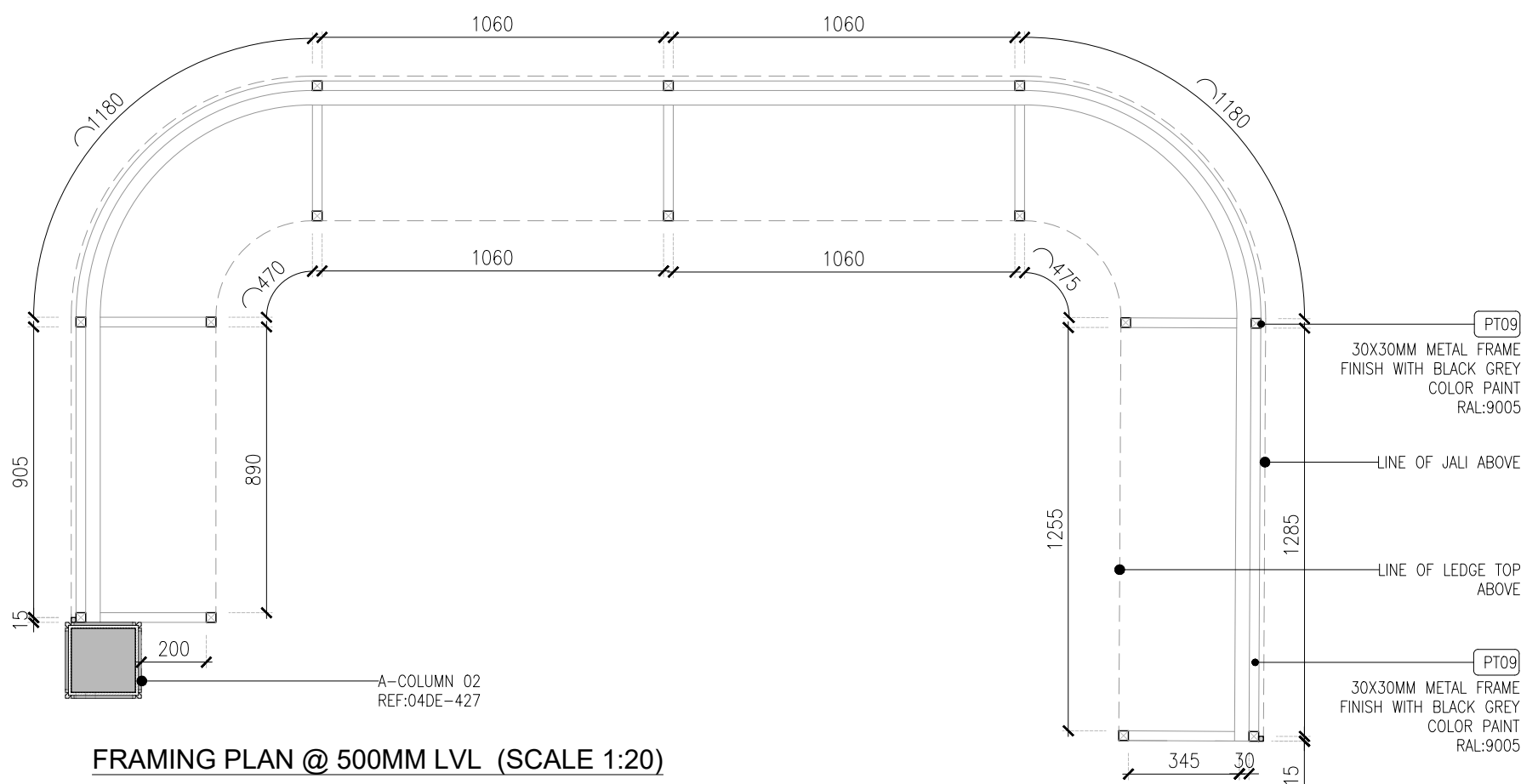
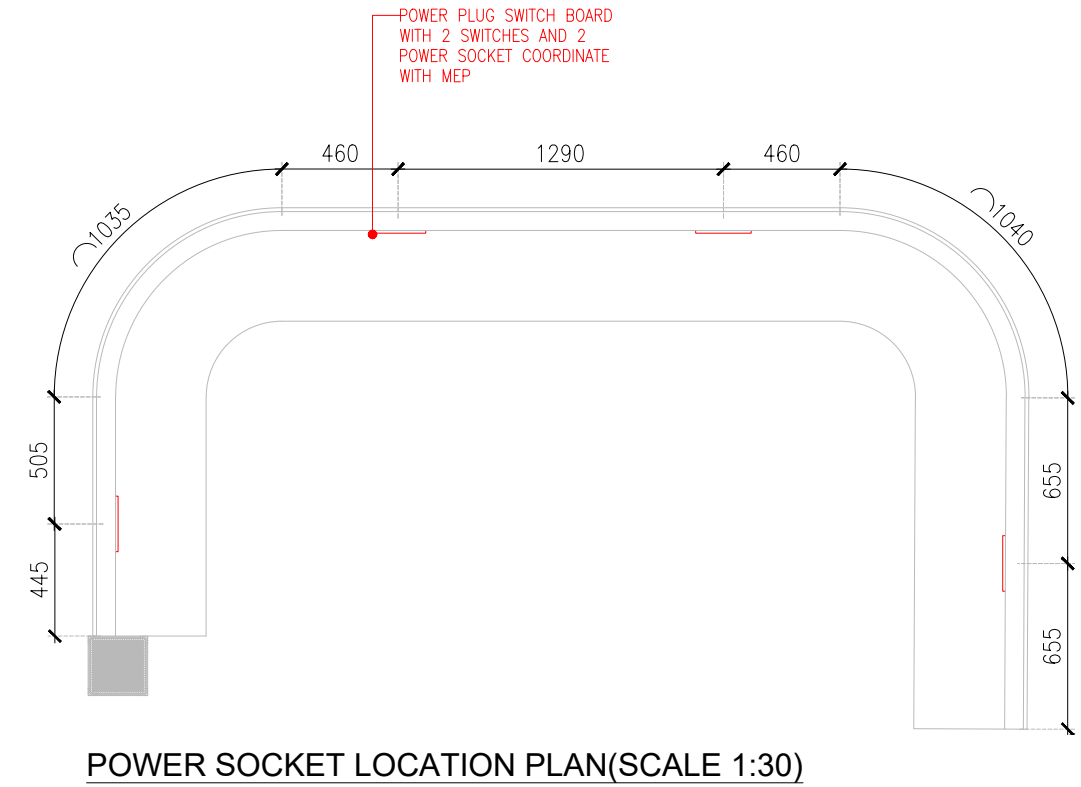
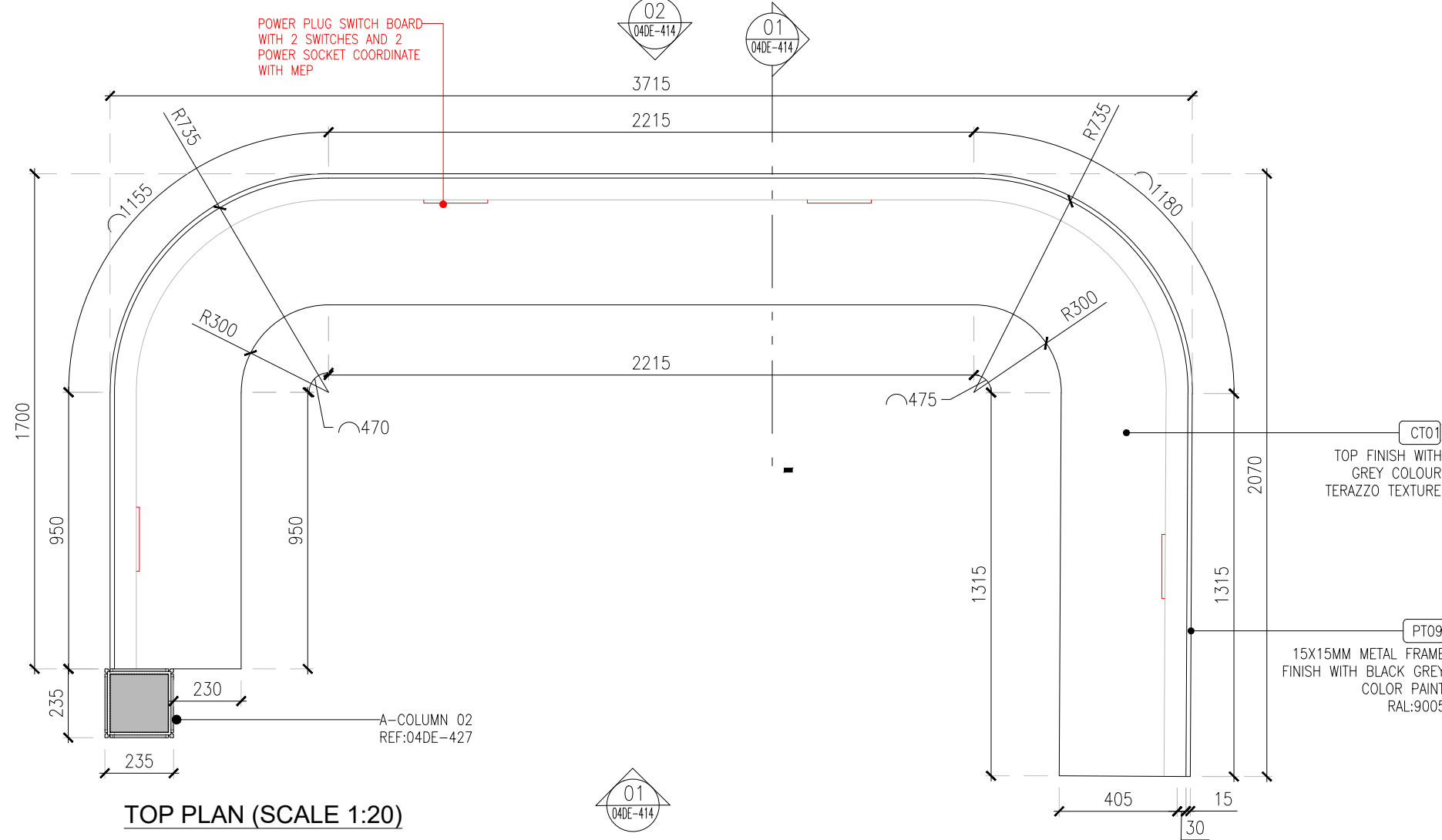
DRAWING TITLE
J05-CONCIERGE DESK DETAIL

SCALE 1:15 DATE 09.01.2024 DRAWN HOD A3 SHEET

STATUS
TENDER

ORG	PROJECT NO	DRAWING TYPE	NUMBER	REV
SSP	0000	04DE	412	T01

01 J05-CONCIERGE DESK DETAIL
04DE-412 1:15



T01	09.01.24	TENDER	HOD	NM
REV	DATE	DESCRIPTION	DRN	CHK



PROJECT
**DELHI STREET
L5 LEVEL
T1, IGI AIRPORT
DELHI**

DRAWING TITLE
J06 - PERCH TABLE DETAIL:PART-A

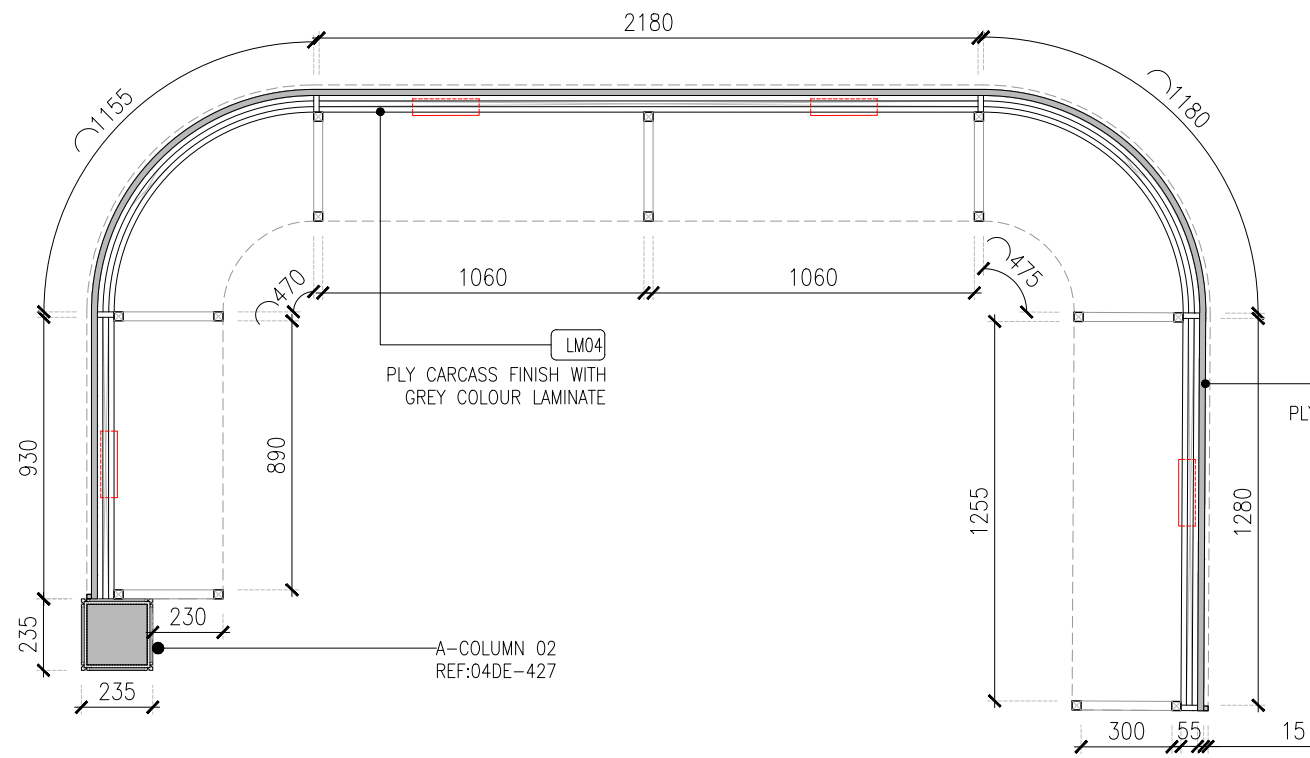
SCALE AS MENTIONED DATE 09.01.2024 DRAWN HOD A3 SHEET

STATUS
TENDER

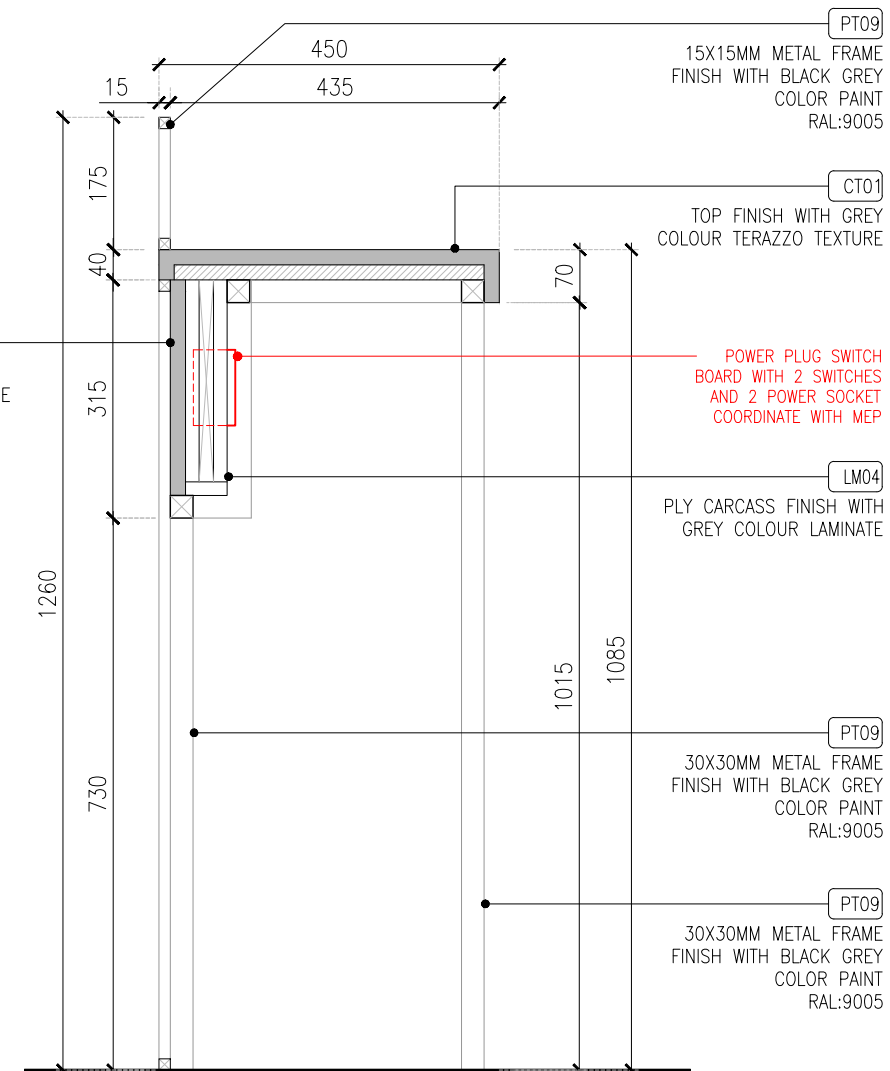
ORG PROJECT NO DRAWING TYPE NUMBER REV
SSP 0000 04DE 413 T01

01
04DE-413

J06 - PERCH TABLE DETAIL:PART-A



FRAMING PLAN @ 900MM LVL(SCALE 1:25)



03 SECTION - 01
04DE-414 1:10

T01 09.01.24 TENDER HOD NM
REV DATE DESCRIPTION DRN CHK

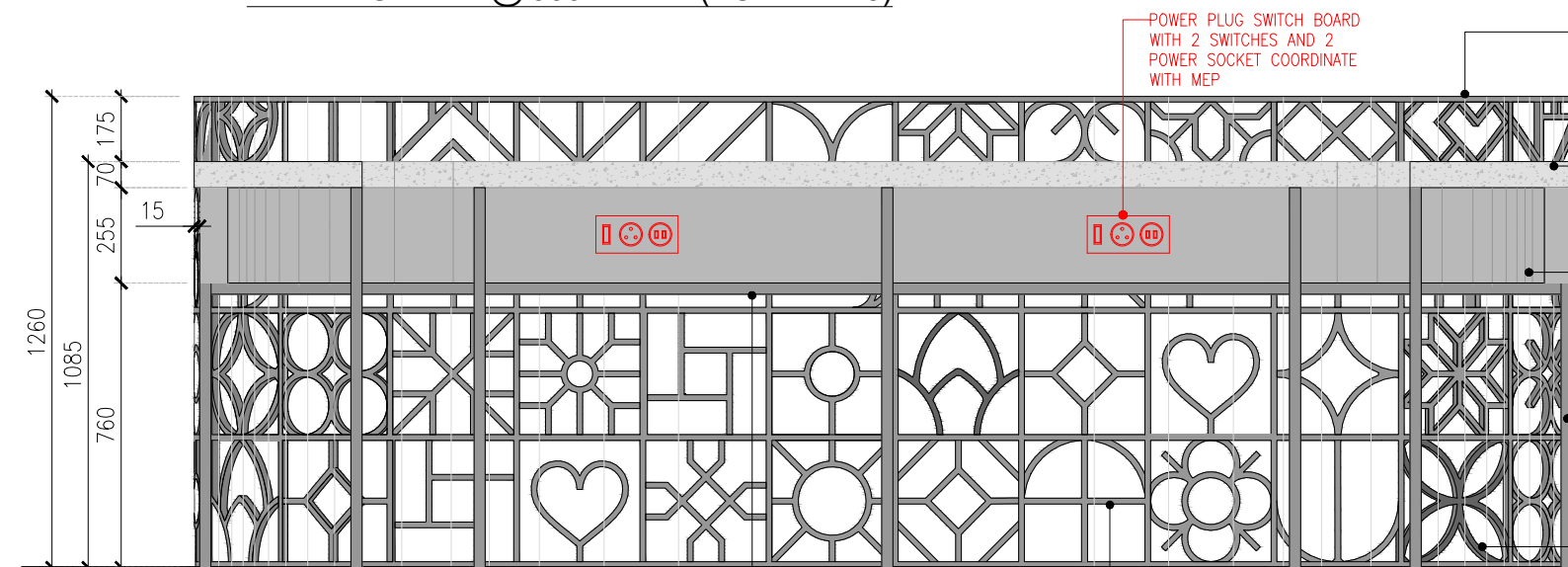


PROJECT
DELHI STREET
L5 LEVEL
T1 , IGI AIRPORT
DELHI
DRAWING TITLE
J06 - PERCH TABLE DETAIL:PART-B

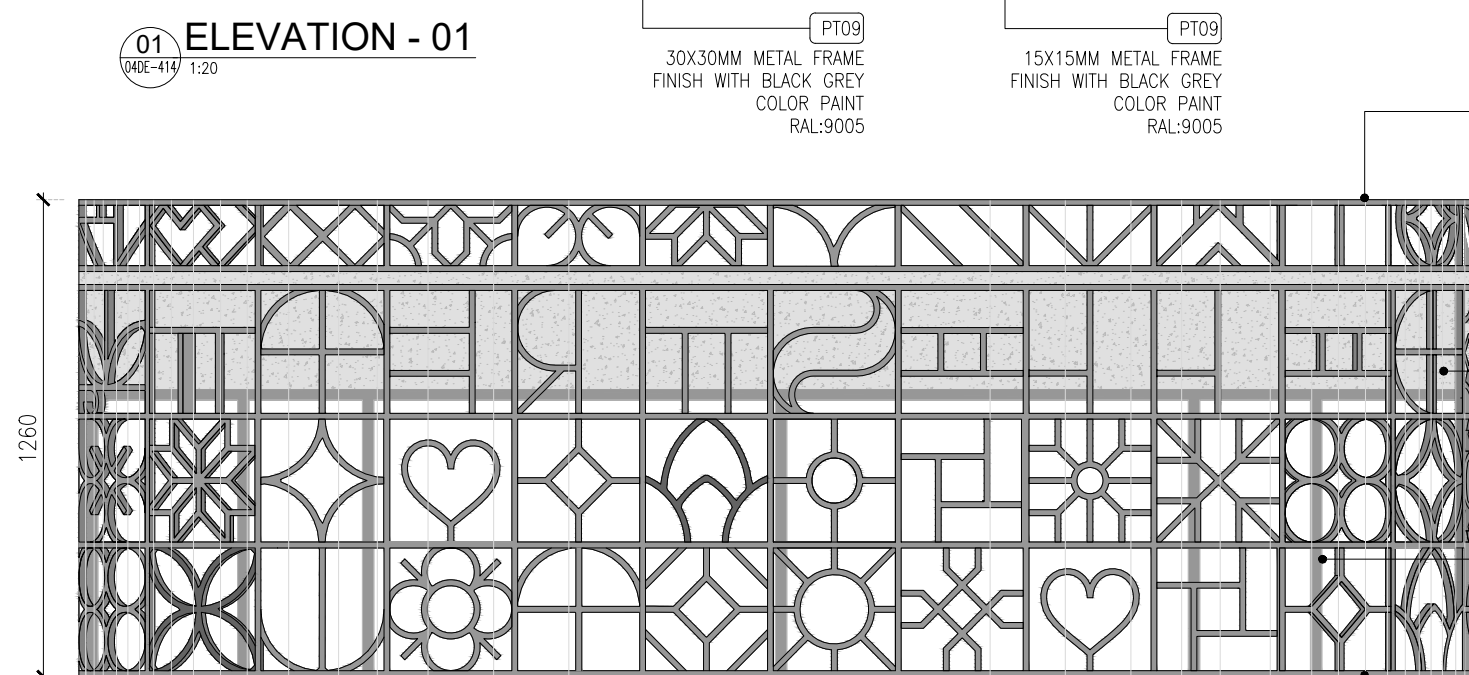
SCALE AS MENTIONED DATE 09.01.2024 DRAWN HOD A3 SHEET

STATUS
TENDER

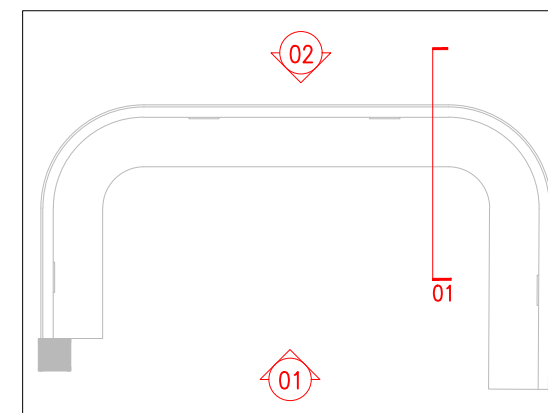
ORG PROJECT NO DRAWING TYPE NUMBER REV
SSP 0000 04DE 414 T01



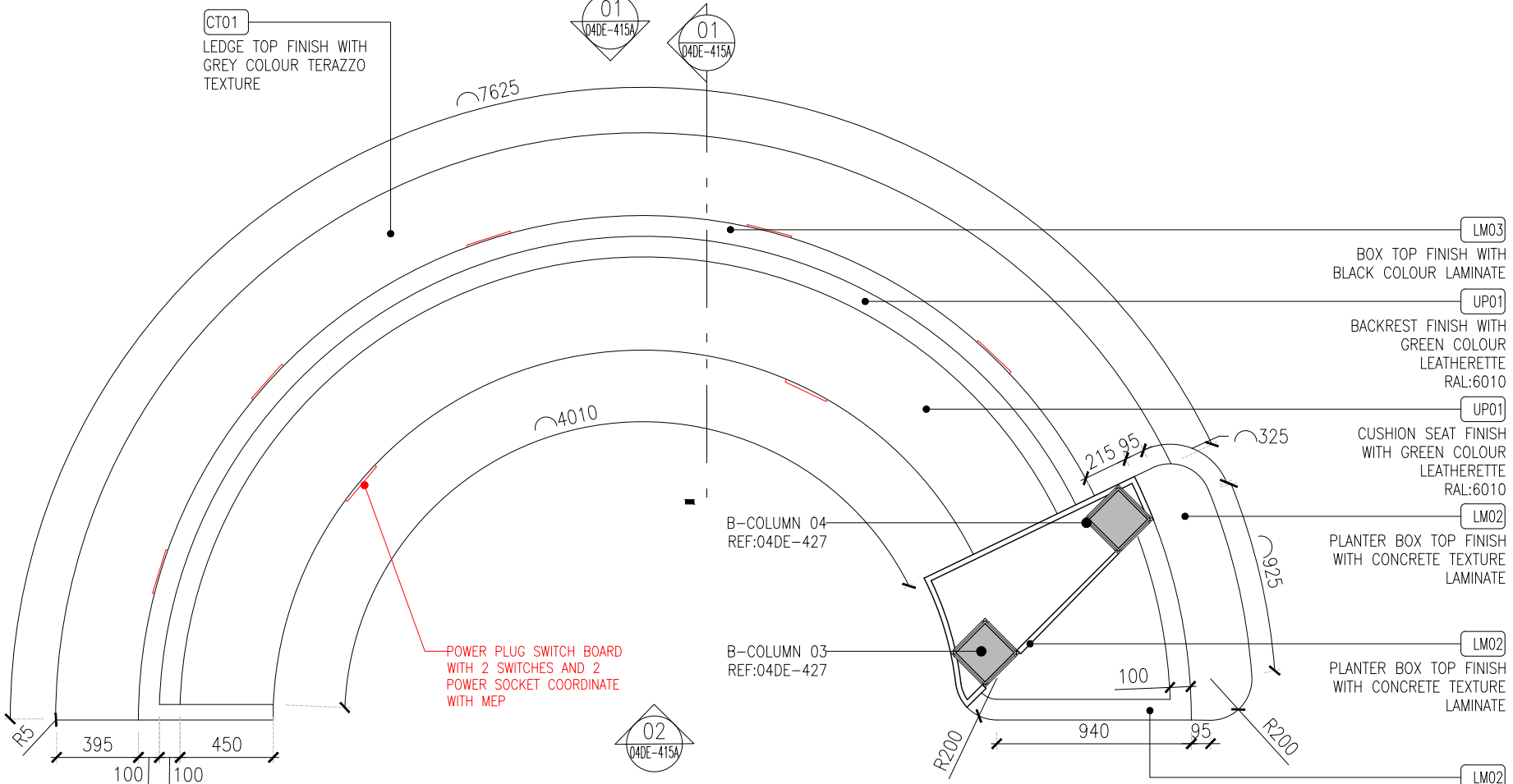
01 ELEVATION - 01
04DE-414 1:20



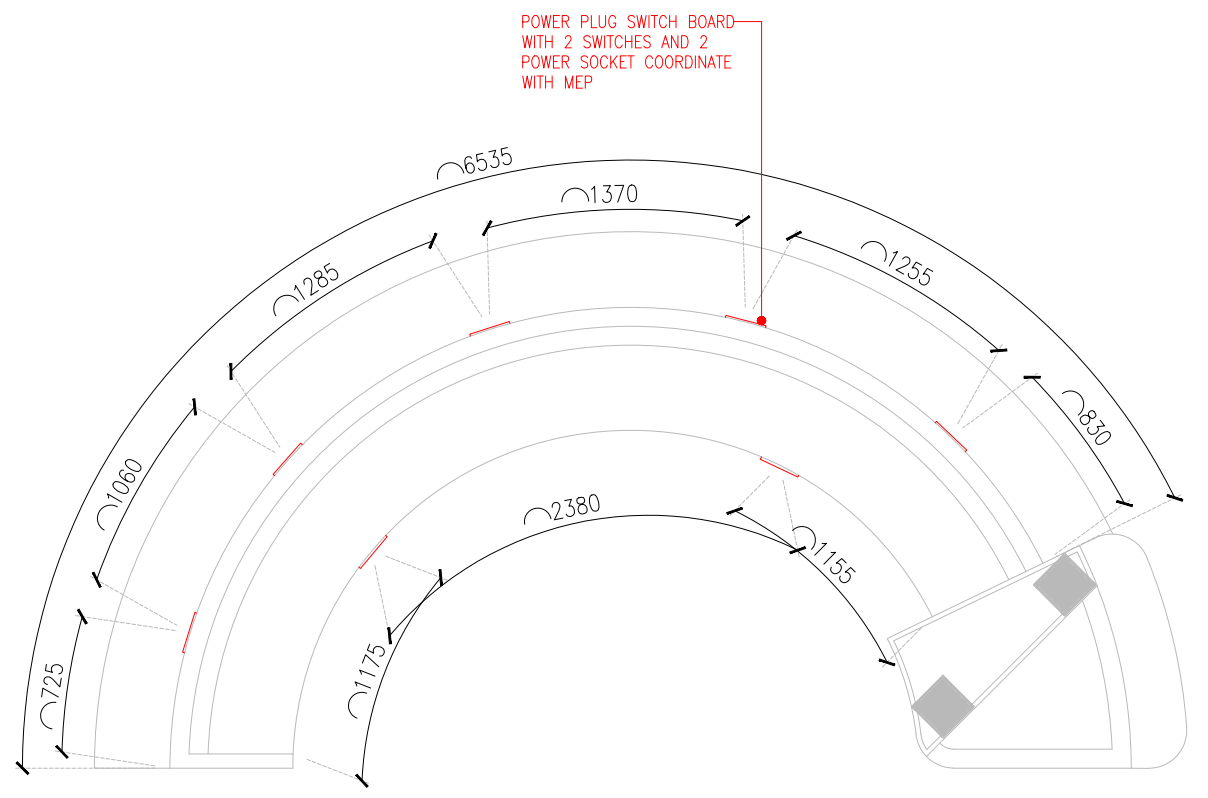
02 ELEVATION - 02
04DE-414 1:20



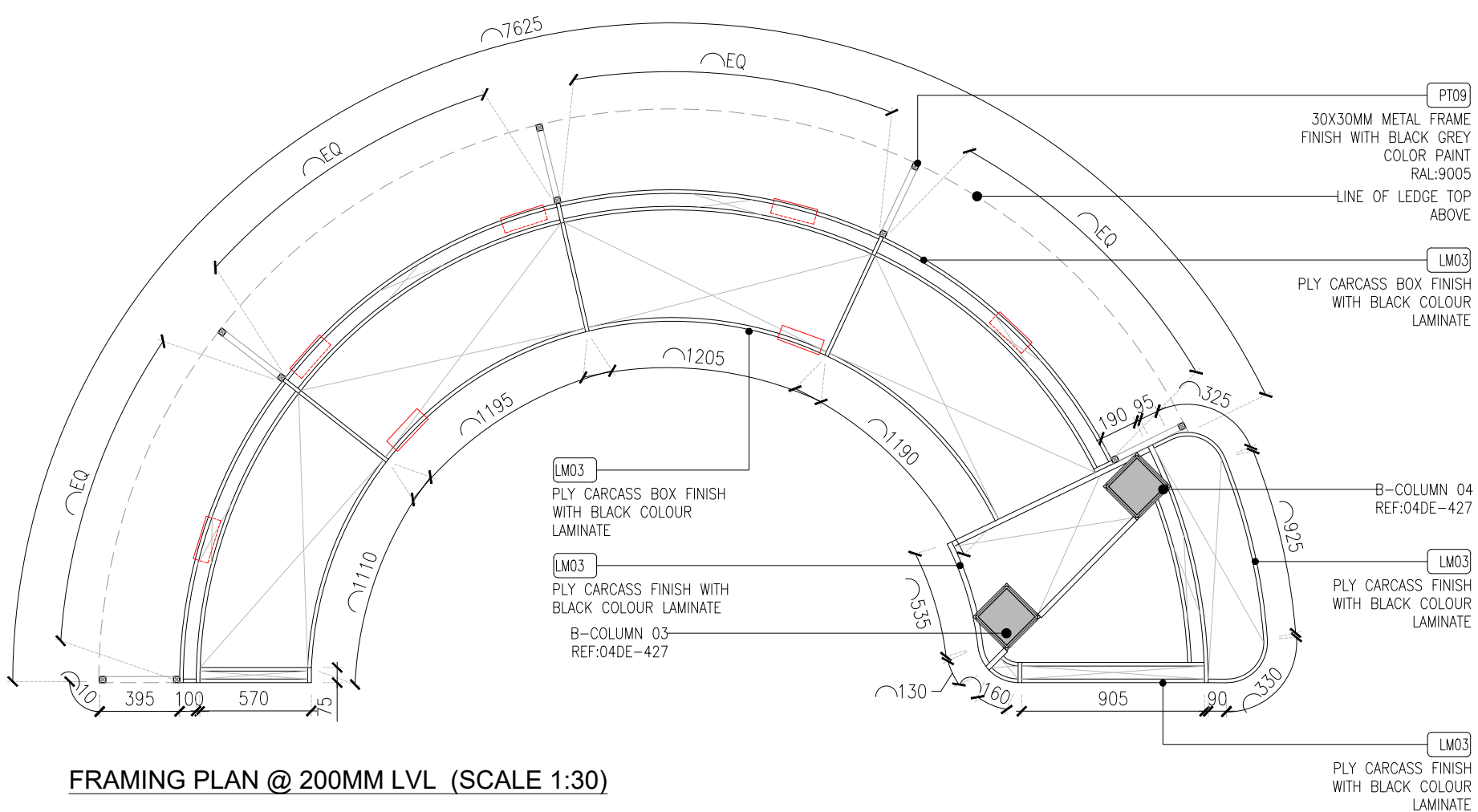
KEY PLAN



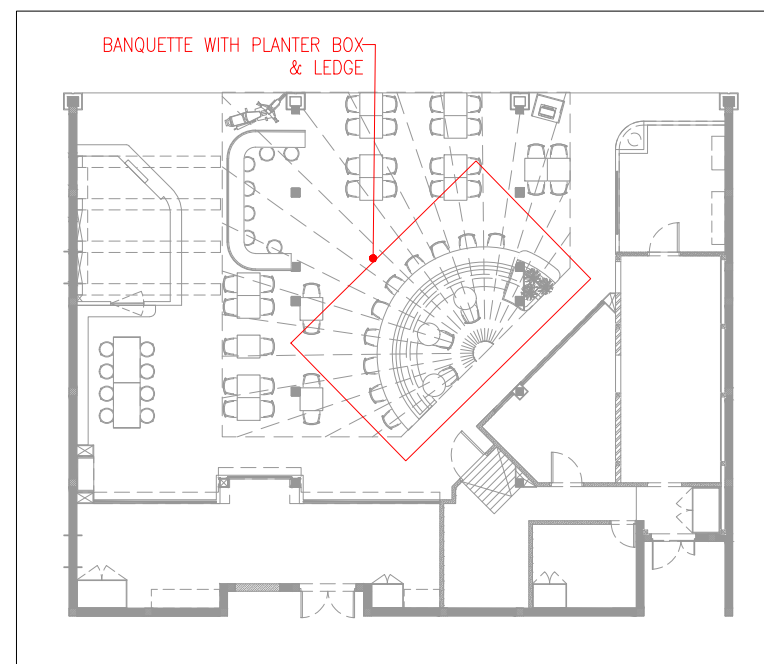
TOP PLAN (SCALE 1:30)



POWER SOCKET LOCATION PLAN (SCALE 1:40)



FRAMING PLAN @ 200MM LVL (SCALE 1:30)



KEY PLAN

T01	09.01.24	TENDER	HOD	NM
REV	DATE	DESCRIPTION	DRN	CHK



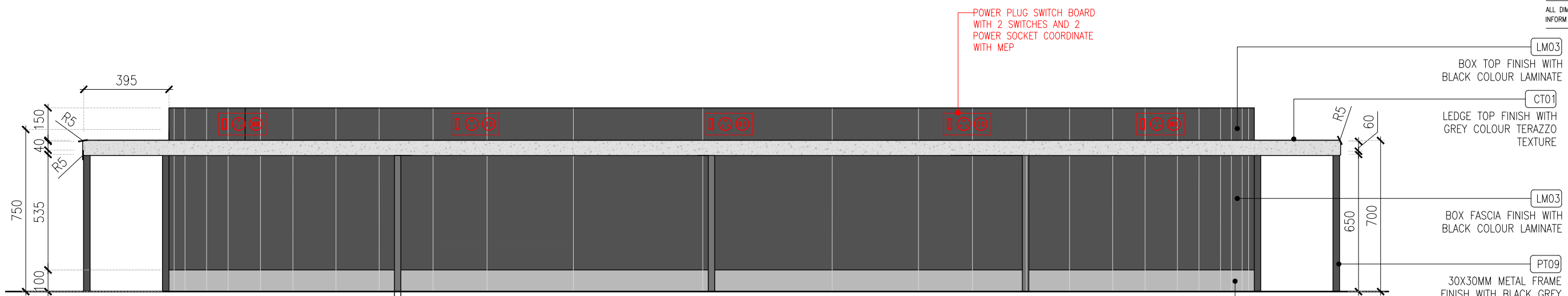
PROJECT
DELHI STREET
L5 LEVEL
T1, IGI AIRPORT
DELHI

DRAWING TITLE
J07, J08 - BANQUETTE SEAT WITH
PLANTER BOX & J09 - LEDGE DETAIL
PART - A

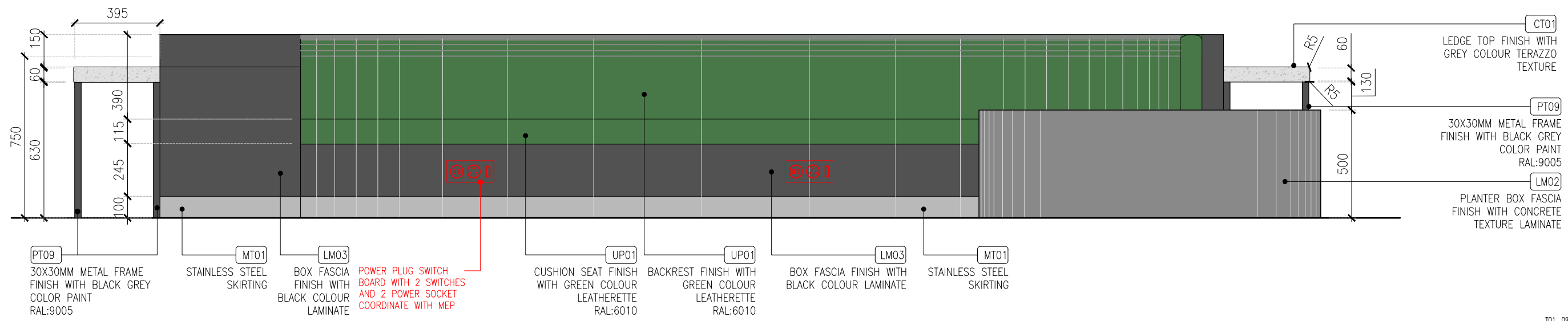
SCALE AS MENTIONED DATE: 09.01.2024 DRAWN/HOD: A3 SHEET

STATUS
TENDER

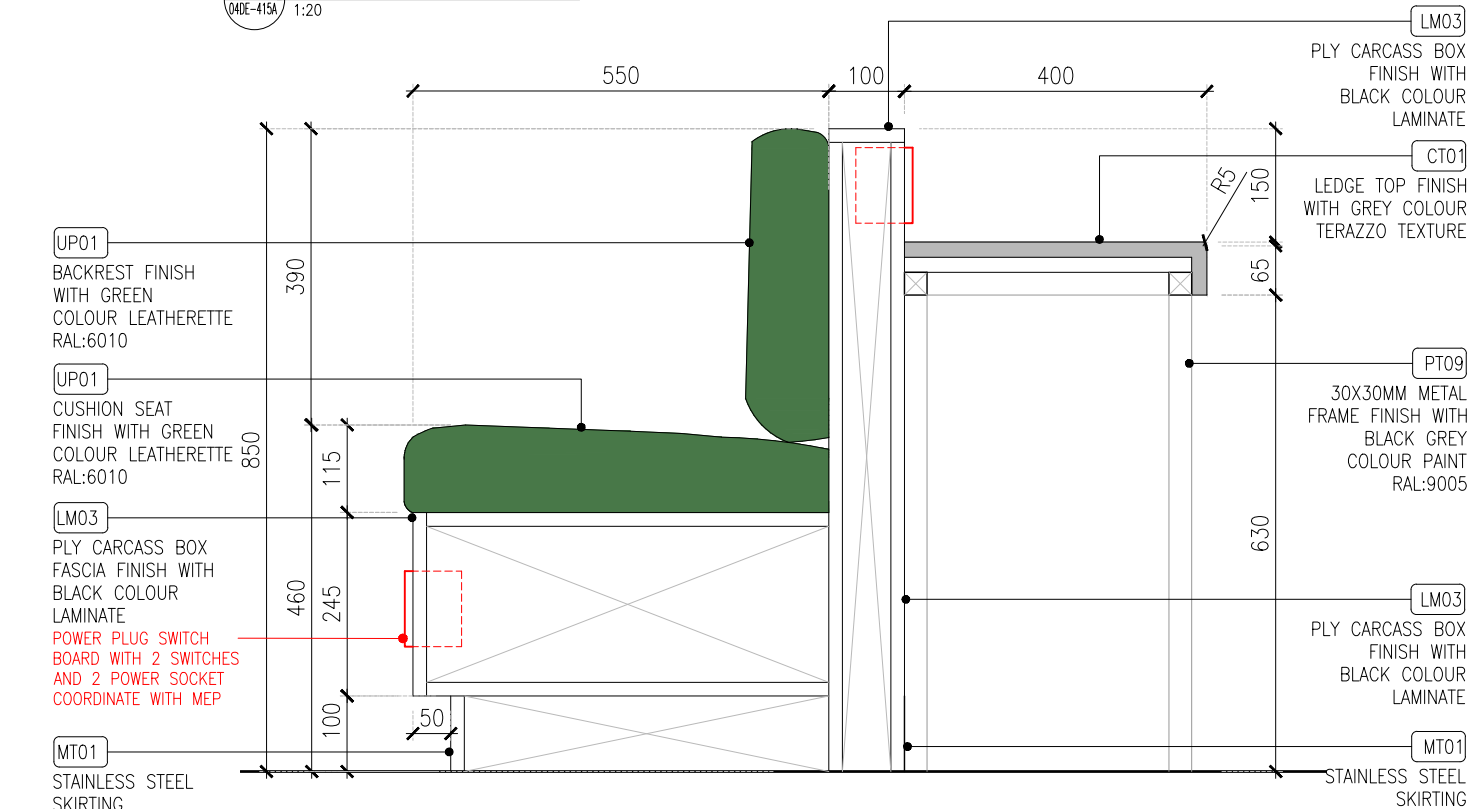
ORG	PROJECT NO	DRAWING TYPE	NUMBER	REV
SSP	0000	04DE	415	T01



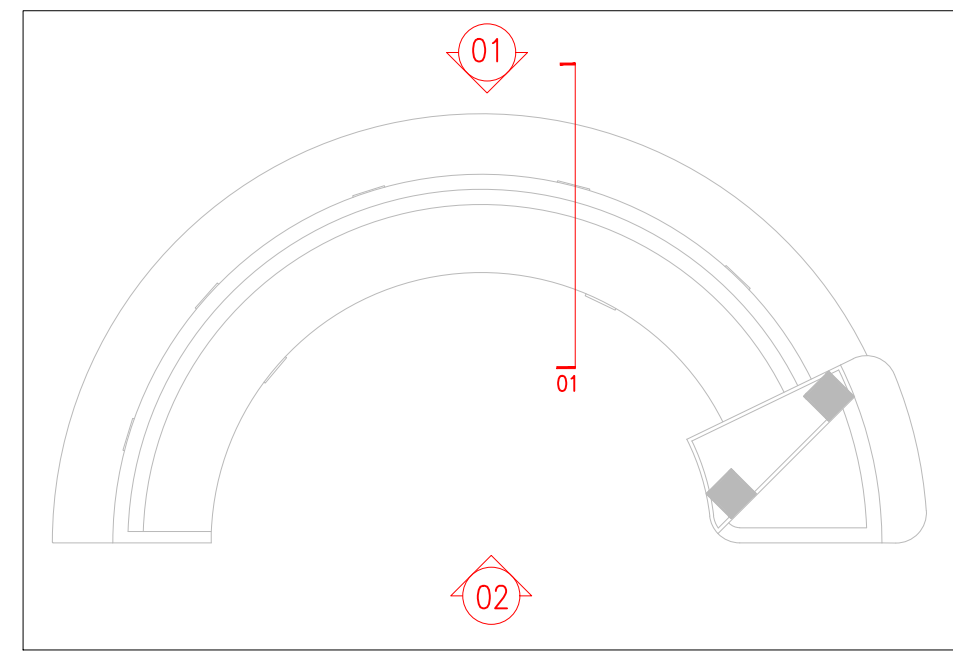
01 ELEVATION - 01
04DE-415A 1:20



02 ELEVATION - 02
04DE-415A 1:20



03 SECTION - 01
04DE-415A 1:10



KEY PLAN

REV	DATE	DESCRIPTION	HOD	NM	DRN	CHK
T01	09.01.24	TENDER				



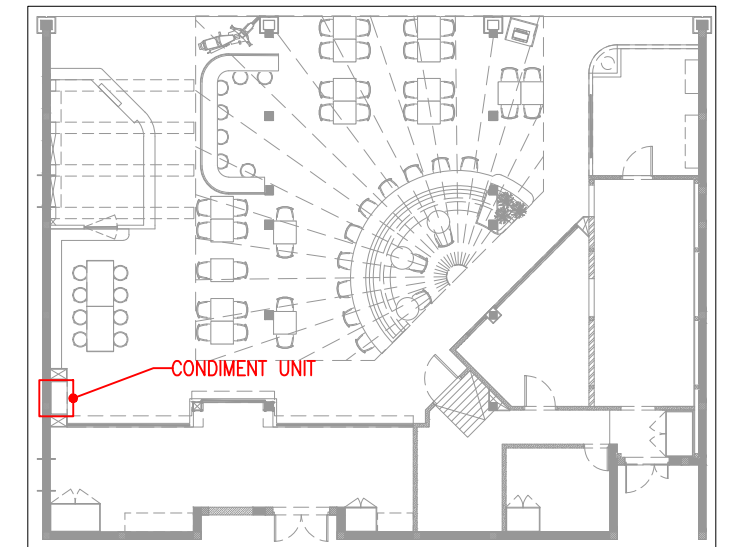
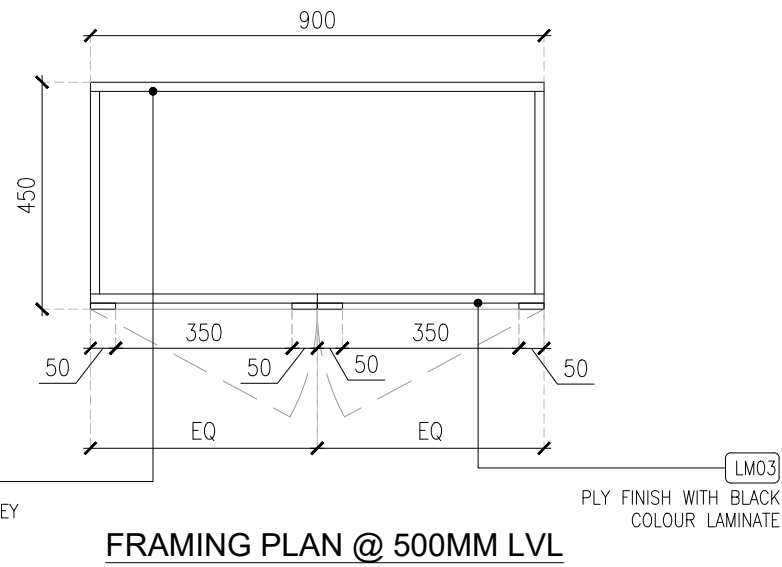
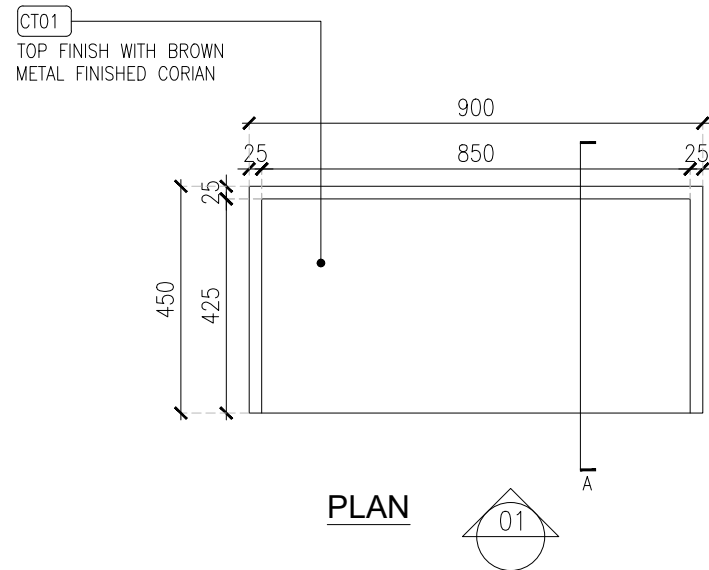
PROJECT
**DELHI STREET
L5 LEVEL
T1, IGI AIRPORT
DELHI**

DRAWING TITLE
**J07, J08 - BANQUETTE SEAT WITH
PLANTER BOX & J09 - LEDGE DETAIL
PART - B**

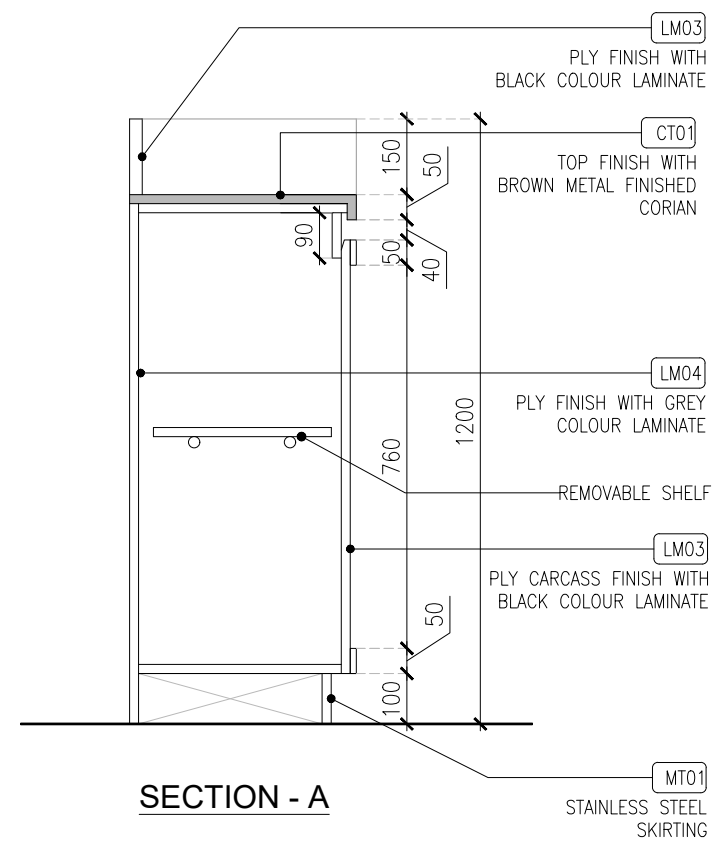
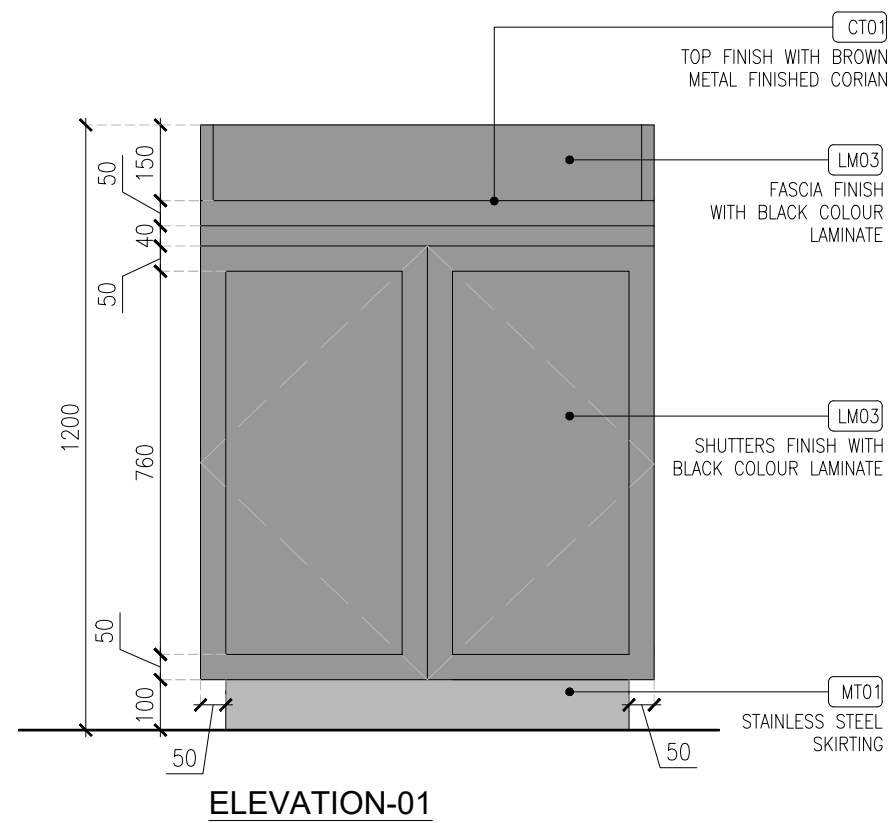
SCALE AS MENTIONED DATE 09.01.2024 DRAWN HOD A3 SHEET

STATUS
TENDER

ORG PROJECT NO DRAWING TYPE NUMBER REV
SSP 0000 04DE 415A T01



KEYPLAN



01 J10-CONDIMENT UNIT DETAIL
04DE-416 1:15

REV	DATE	DESCRIPTION	HOD	NM
T01	09.01.24	TENDER		
			DRN	CHK



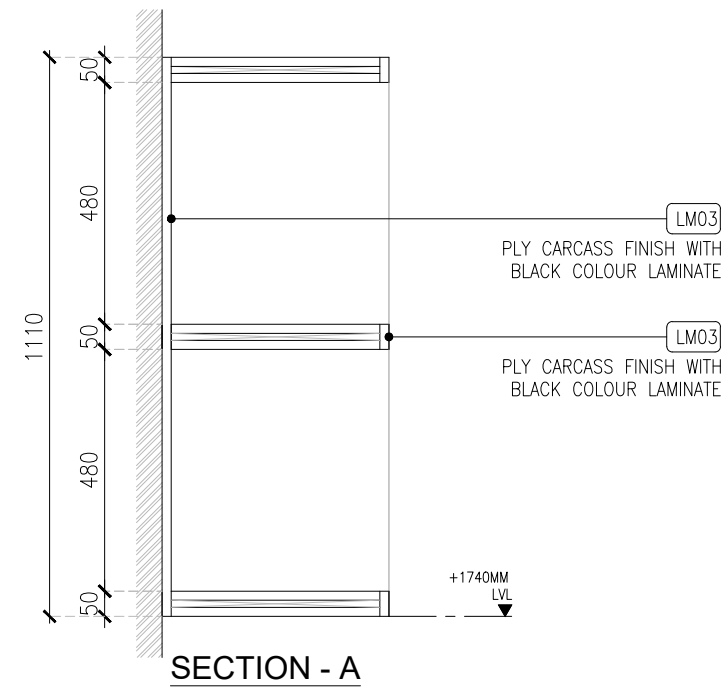
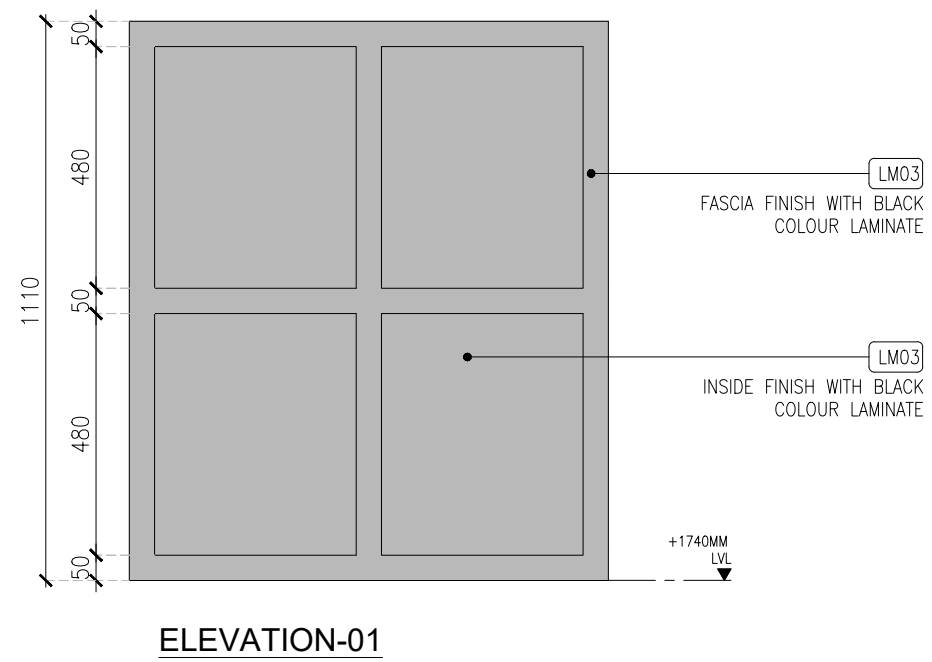
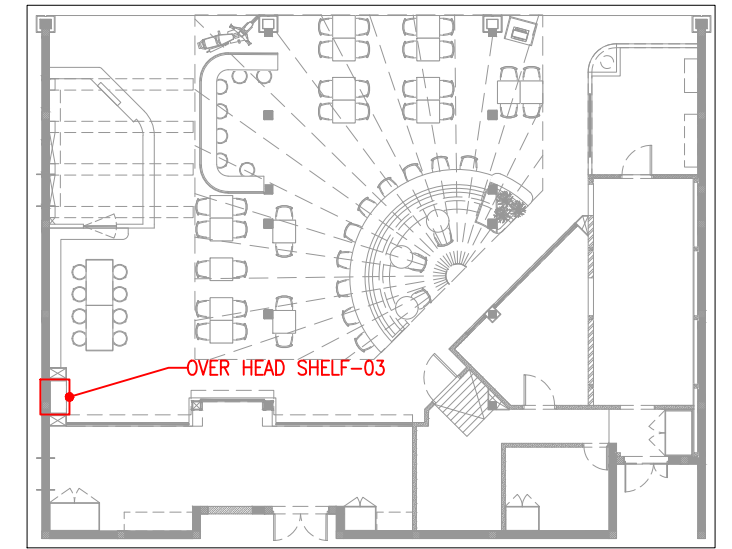
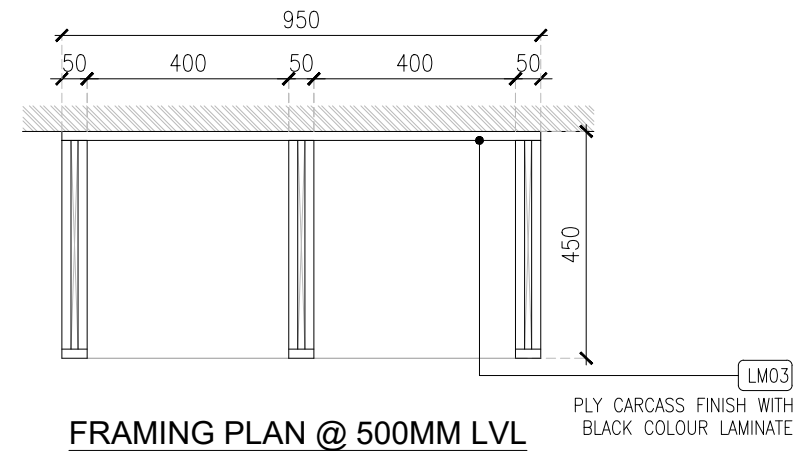
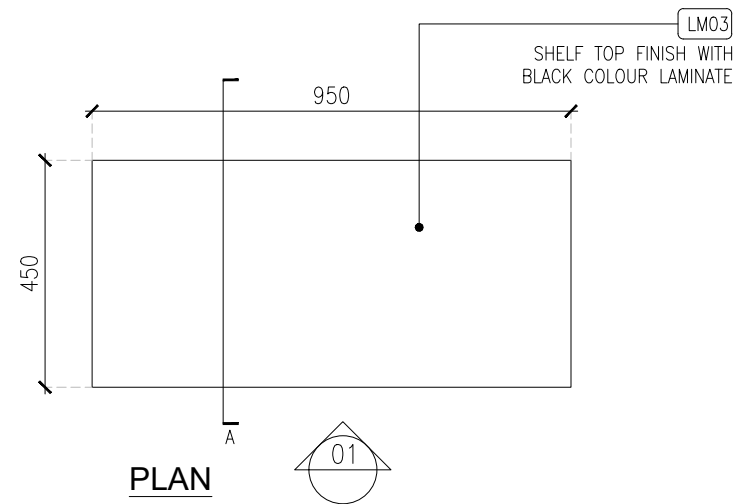
PROJECT
DILLI STREET
L5 LEVEL
T1 , IGI AIRPORT
DELHI

DRAWING TITLE
J10-CONDIMENT UNIT DETAIL

SCALE 1:15 DATE 09.01.2024 DRAWN HOD A3 SHEET

STATUS
TENDER

ORG	PROJECT NO	DRAWING TYPE	NUMBER	REV
SSP	0000	04DE	416	T01



KEYPLAN

01 J11-OVER HEAD SHELF-03 DETAIL
04DE-417 1:15

T01	09.01.24	TENDER	HOD	NM
REV	DATE	DESCRIPTION	DRN	CHK



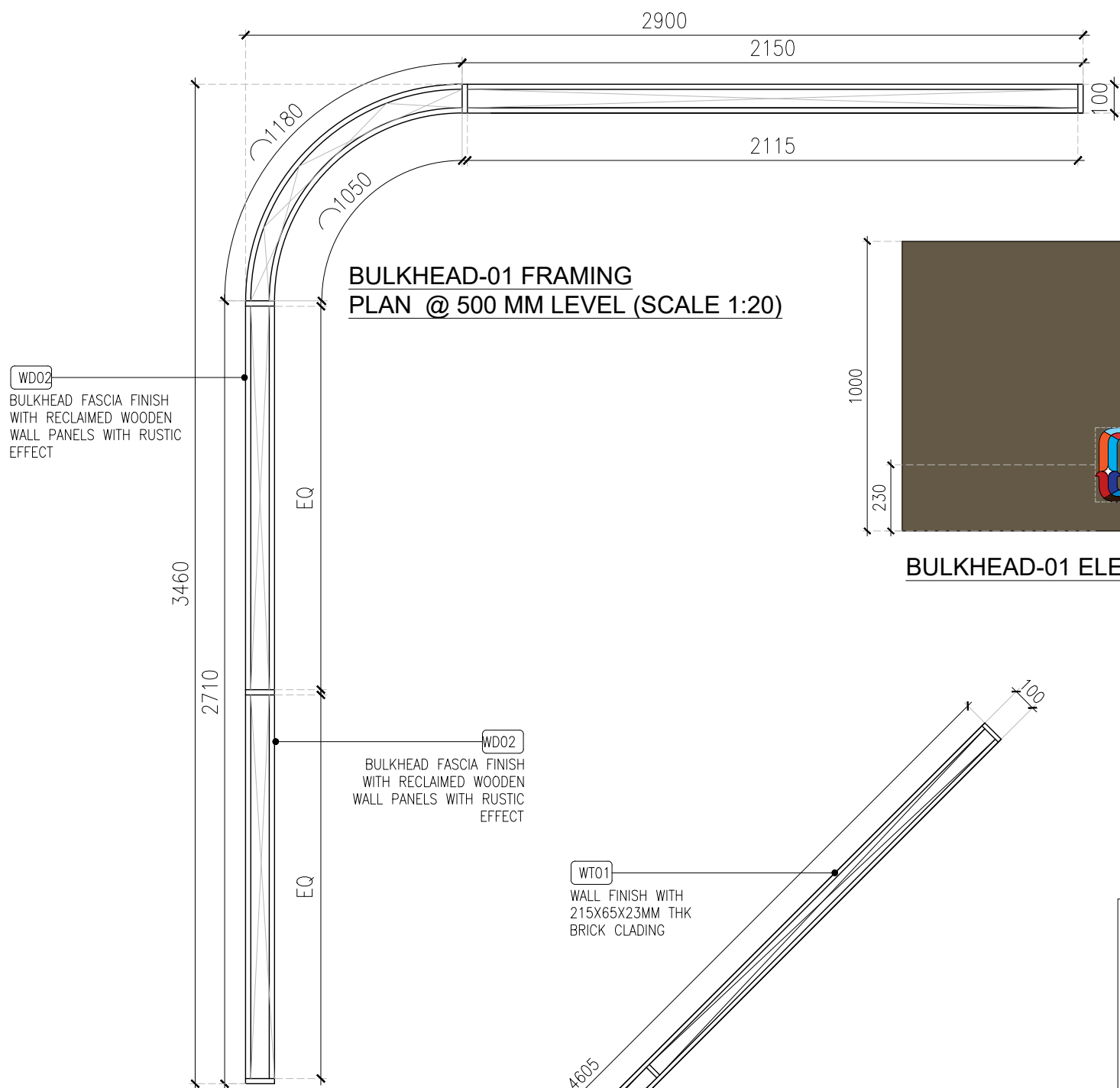
PROJECT
DILLI STREAT
L5 LEVEL
T1 , IGI AIRPORT
DELHI

DRAWING TITLE
J11-OVER HEAD SHELF-03 DETAIL

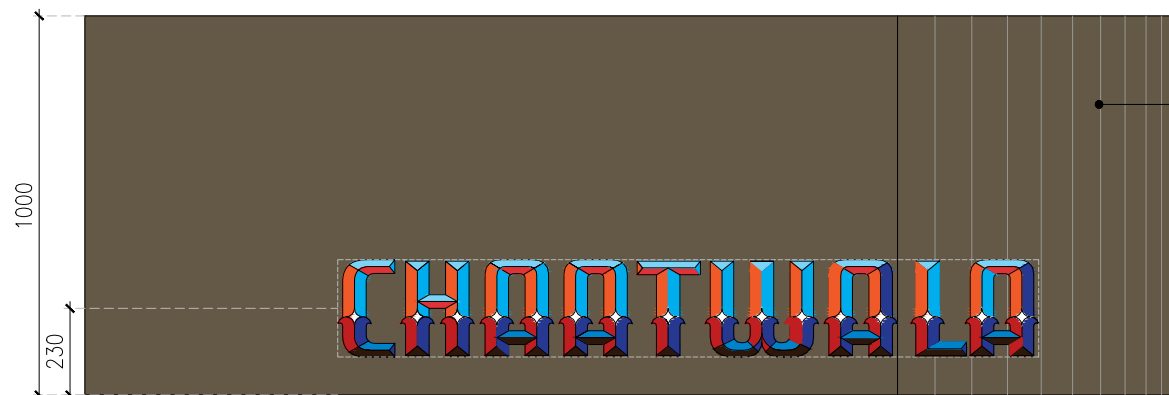
SCALE 1:15 DATE 09.01.2024 DRAWN HOD A3 SHEET

STATUS
TENDER

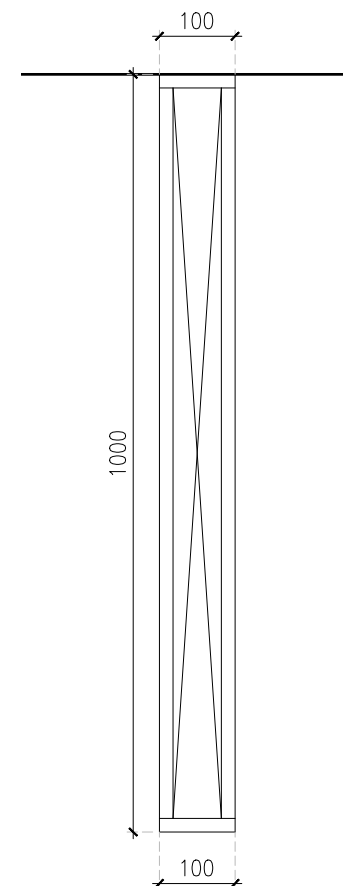
ORG	PROJECT NO	DRAWING TYPE	NUMBER	REV
SSP	0000	04DE	417	T01



**BULKHEAD-01 FRAMING
PLAN @ 500 MM LEVEL (SCALE 1:20)**



BULKHEAD-01 ELEVATION (SCALE 1:20)



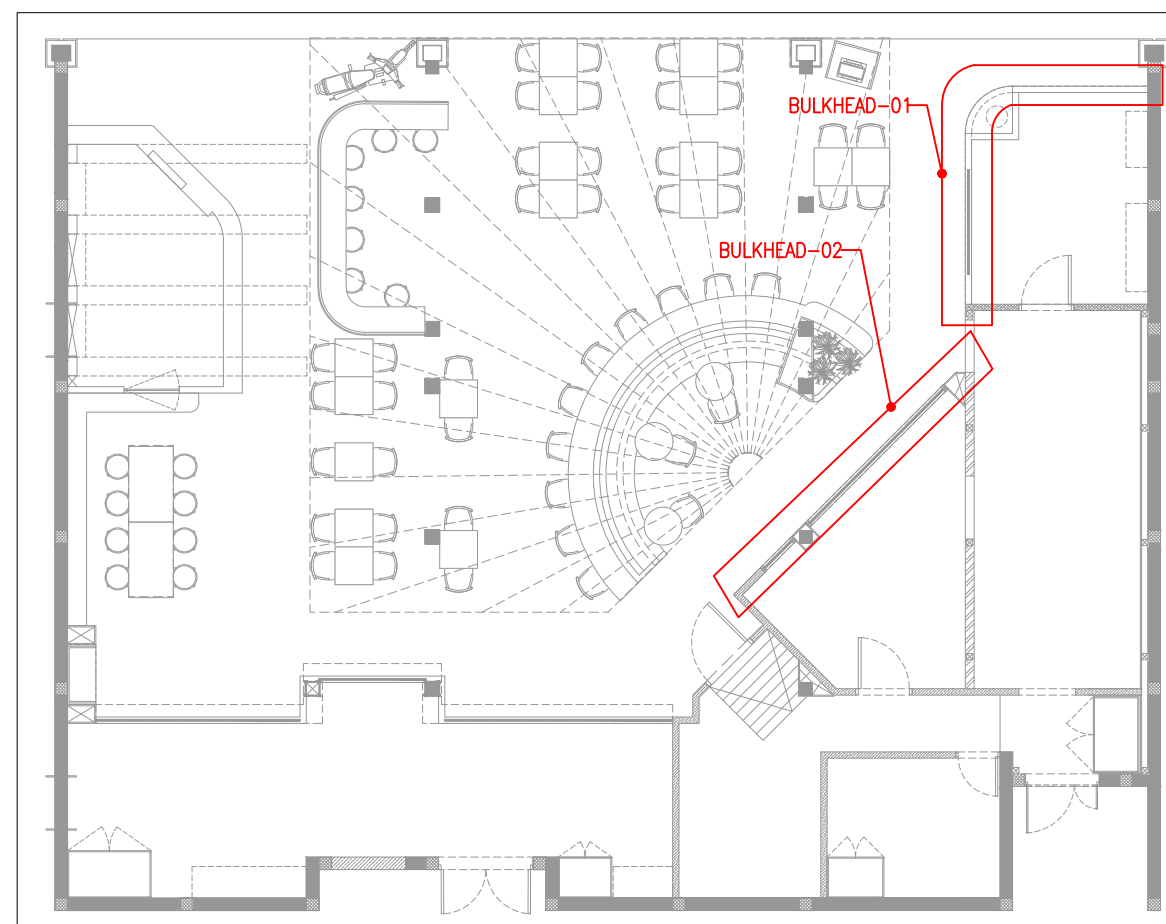
TYPICAL SECTION (SCALE 1:10)

WD02
BULKHEAD FASCIA FINISH
WITH RECLAIMED WOODEN
WALL PANELS WITH RUSTIC
EFFECT

WT01
WALL FINISH WITH
215X65X23MM THK
BRICK CLADDING

WT01
WALL FINISH WITH
215X65X23MM THK
BRICK CLADDING

**BULKHEAD-02 FRAMING PLAN @
500 MM LVL (SCALE 1:25)**



KEY PLAN

T01	09.01.24	TENDER	HOD	NM
REV	DATE	DESCRIPTION	DRN	CHK



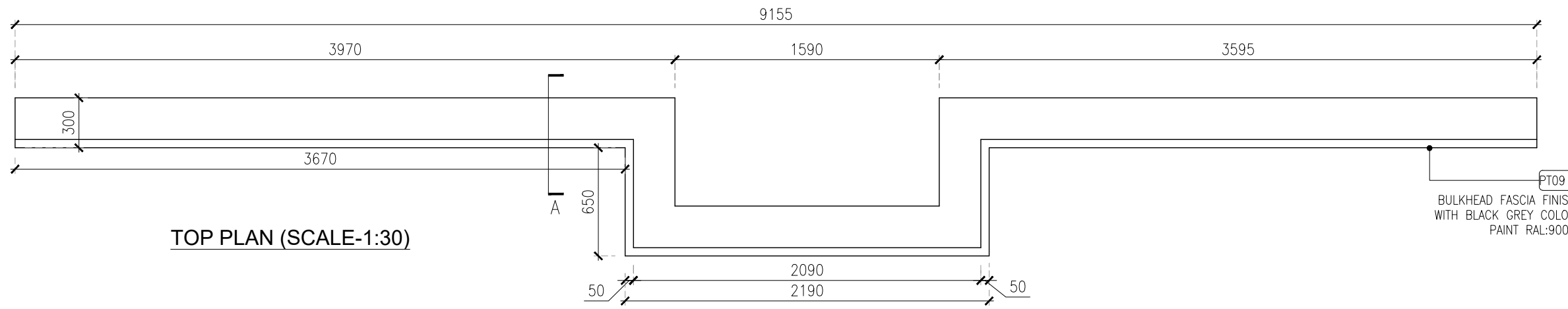
PROJECT
**DILLI STREET
L5 LEVEL
T1 , IGI AIRPORT
DELHI**

DRAWING TITLE
J12-BULKHEAD-01 DETAIL

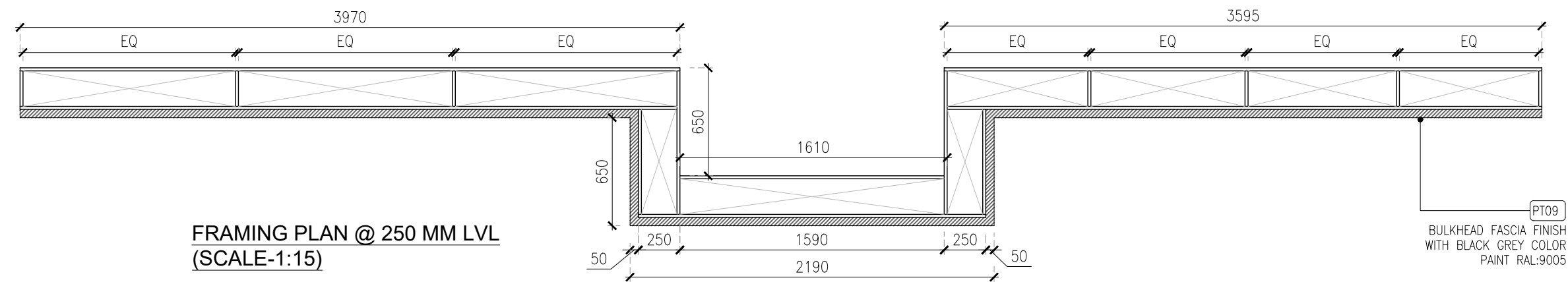
SCALE AS MENTIONED DATE 09.01.2024 DRAWN HOD A3 SHEET

STATUS
TENDER

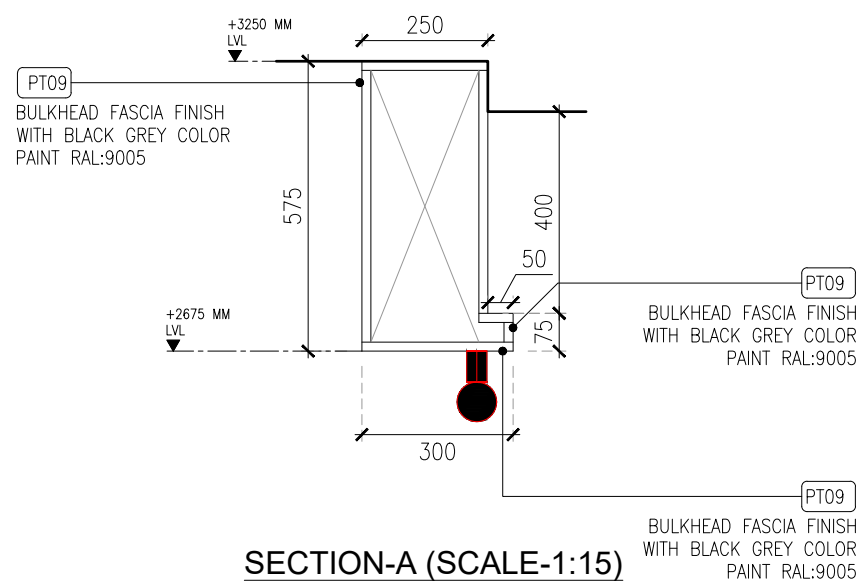
ORG	PROJECT NO	DRAWING TYPE	NUMBER	REV
TFS	0000	04DE	418	T01



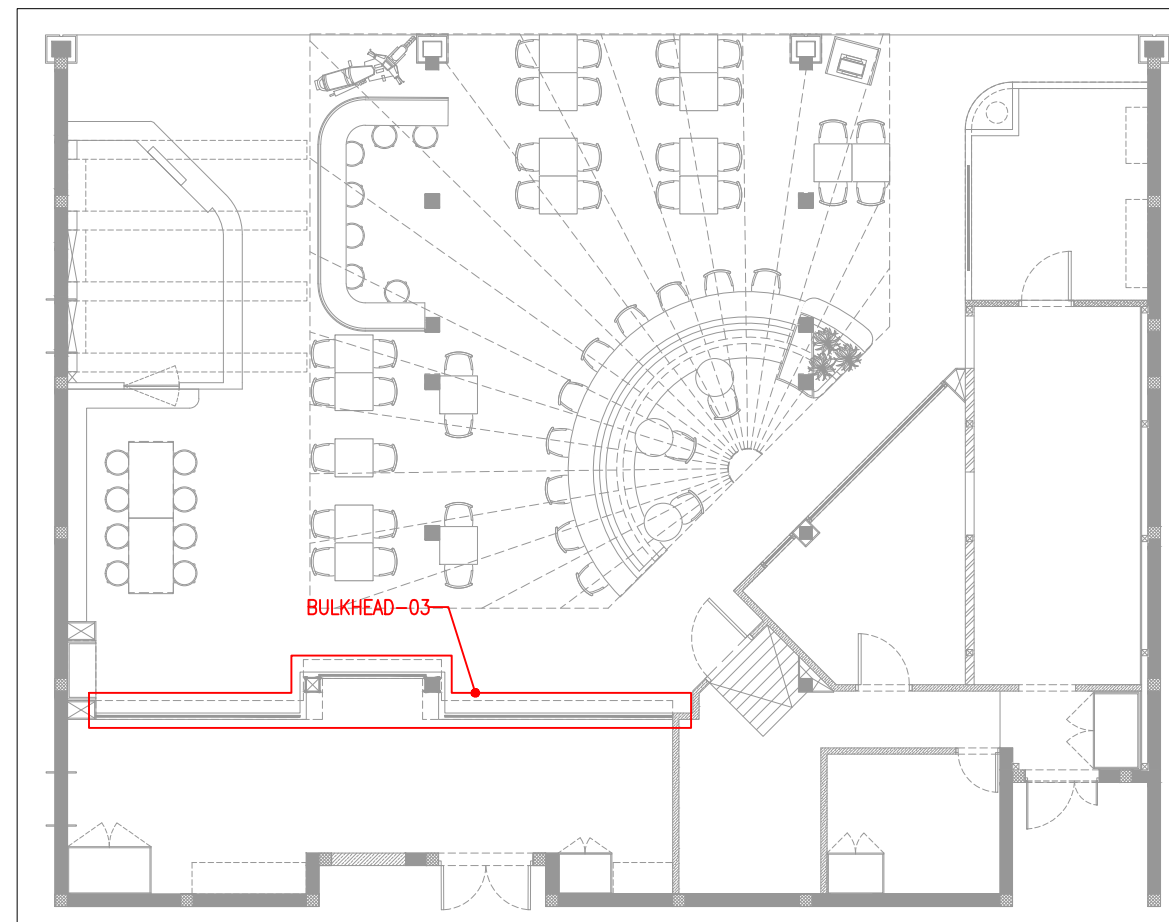
TOP PLAN (SCALE-1:30)



FRAMING PLAN @ 250 MM LVL (SCALE-1:15)



SECTION-A (SCALE-1:15)



KEY PLAN

T01	09.01.24	TENDER	HOD	NM
REV	DATE	DESCRIPTION	DRN	CHK



PROJECT
DILLI STREET
L5 LEVEL
T1 , IGI AIRPORT
DELHI

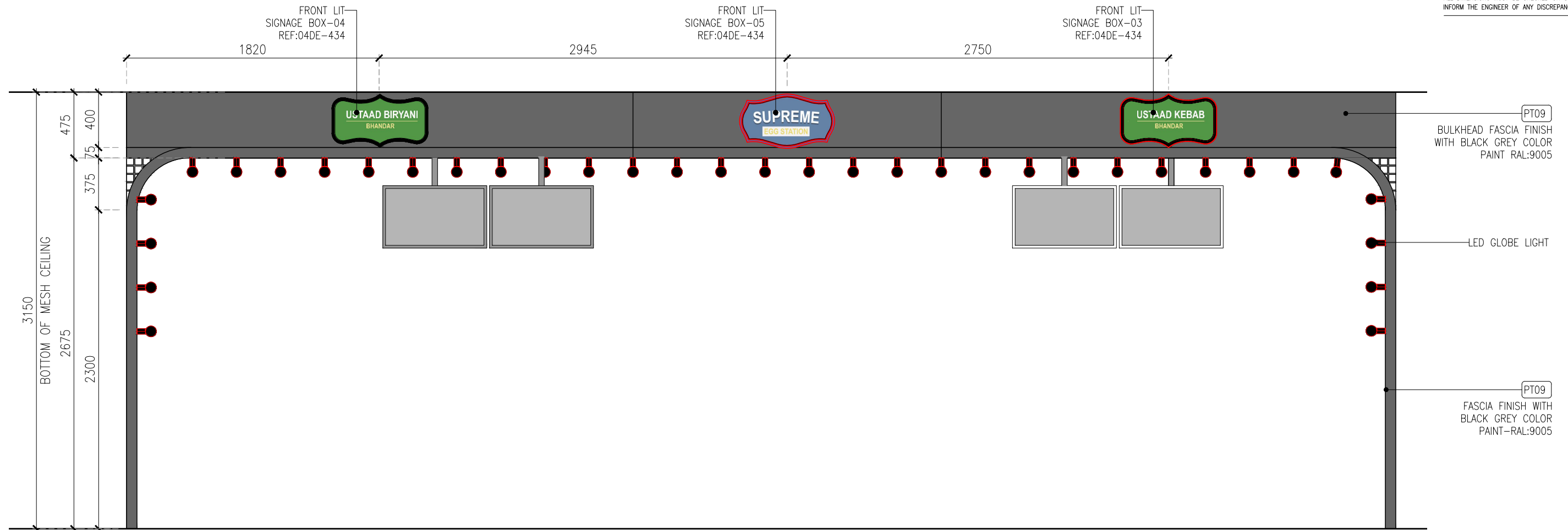
DRAWING TITLE
BULKHEAD -03 DETAIL

SCALE AS MENTIONED DATE 09.01.2024 DRAWN HOD A3 SHEET

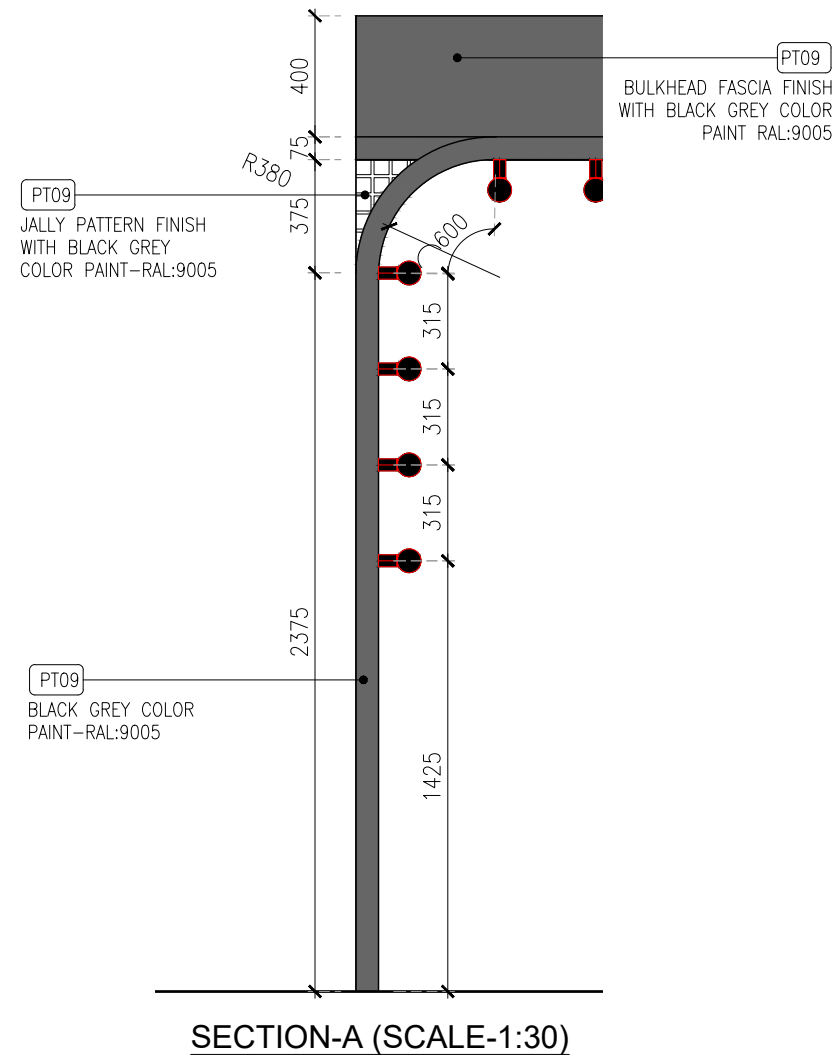
STATUS
TENDER

ORG	PROJECT NO	DRAWING TYPE	NUMBER	REV
TFS	0000	04DE	419	T01

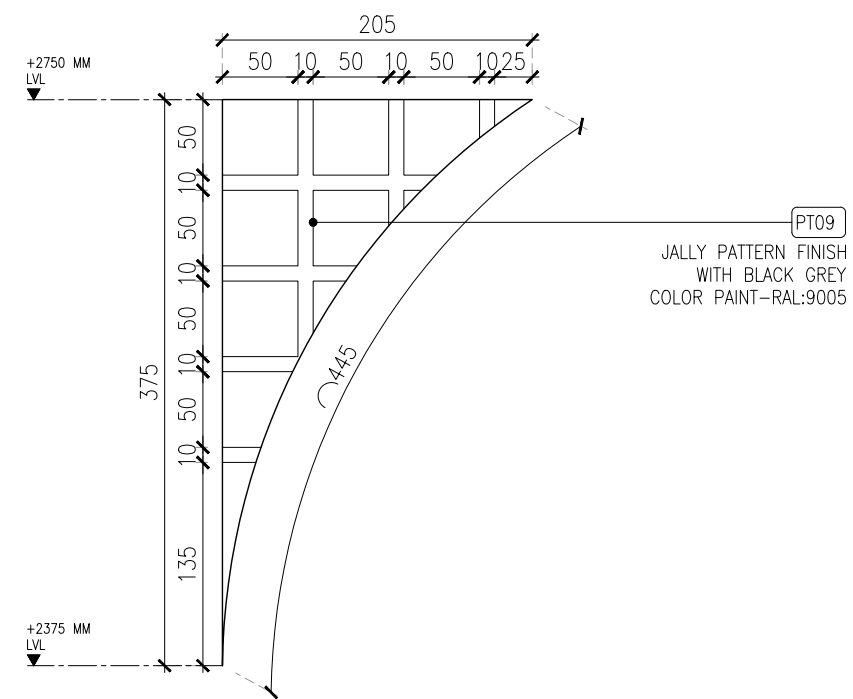
ALL DIMENSIONS MUST BE CHECKED ON SITE.
INFORM THE ENGINEER OF ANY DISCREPANCIES PRIOR TO CONSTRUCTION.



ELEVATION (SCALE-1:30)



SECTION-A (SCALE-1:30)



SECTION-A (SCALE-1:5)

REV	DATE	DESCRIPTION	HOD	NM
T01	09.01.24	TENDER		
			DRN	CHK



PROJECT
DILLI STREET
L5 LEVEL
T1 , IGI AIRPORT
DELHI

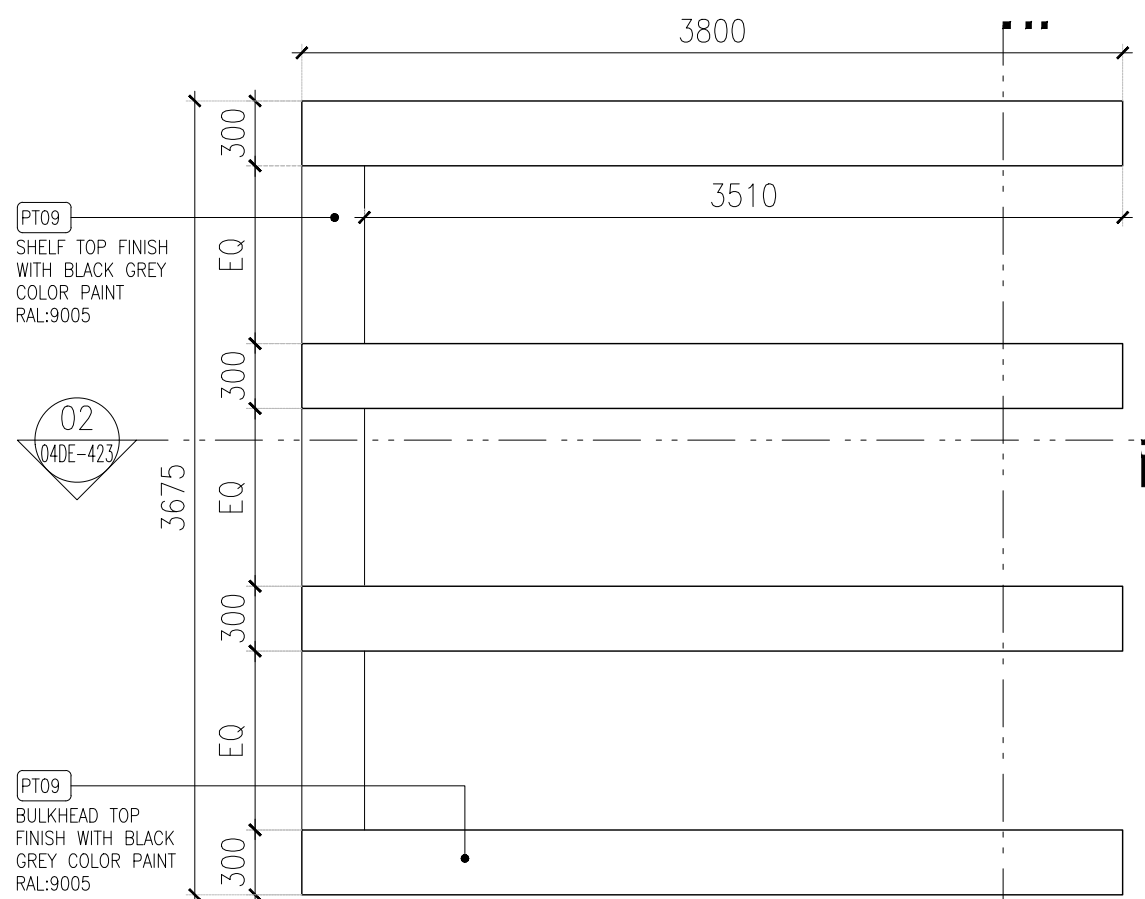
DRAWING TITLE
BULKHEAD-03 DETAIL

SCALE AS MENTIONED DATE 09.01.2024 DRAWN HOD A3 SHEET

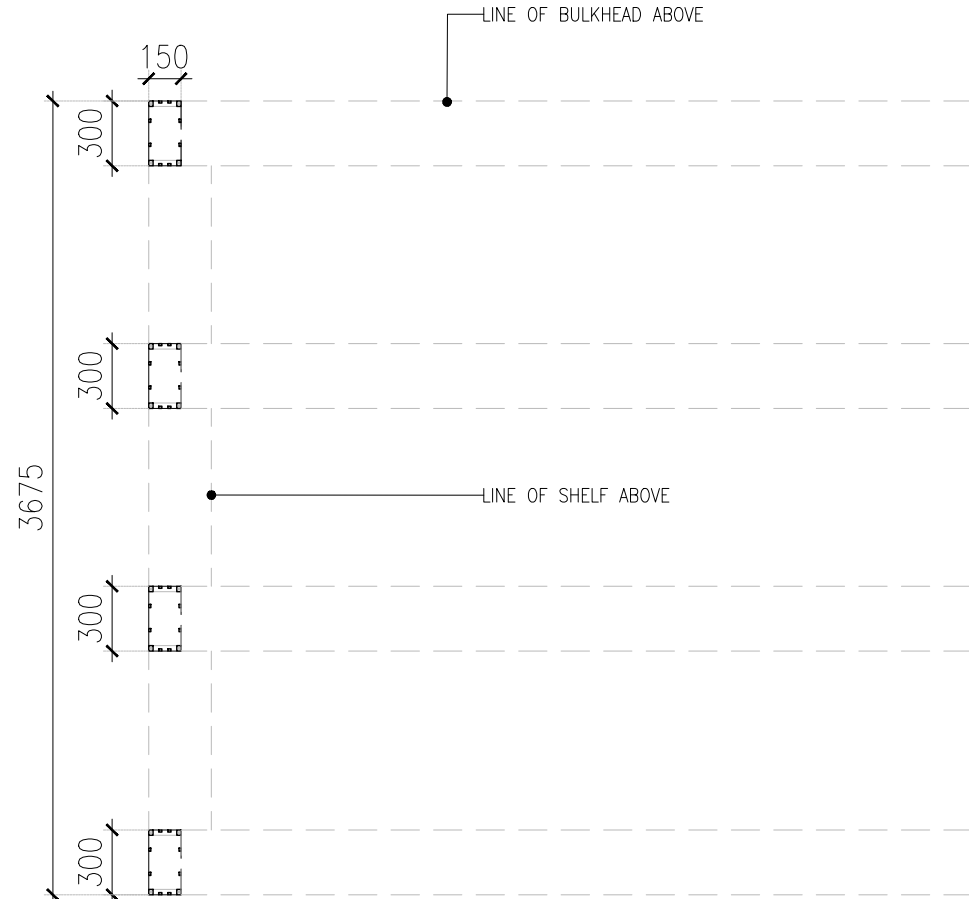
STATUS
TENDER

ORG	PROJECT NO	DRAWING TYPE	NUMBER	REV
TFS	0000	04DE	420	T01

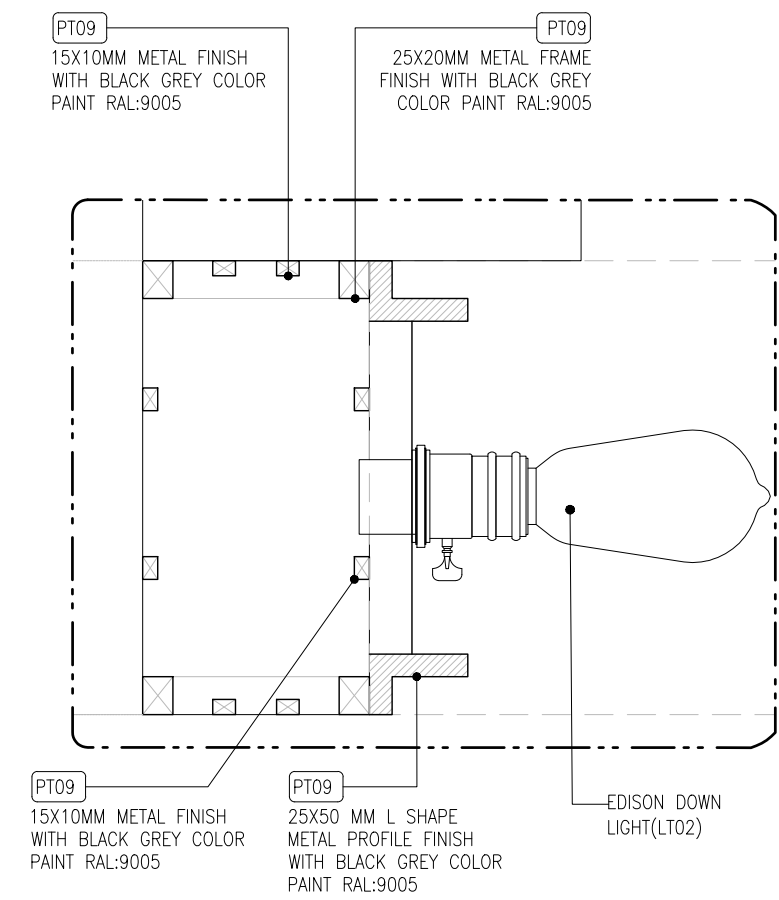
ALL DIMENSIONS MUST BE CHECKED ON SITE.
INFORM THE ENGINEER OF ANY DISCREPANCIES PRIOR TO CONSTRUCTION.



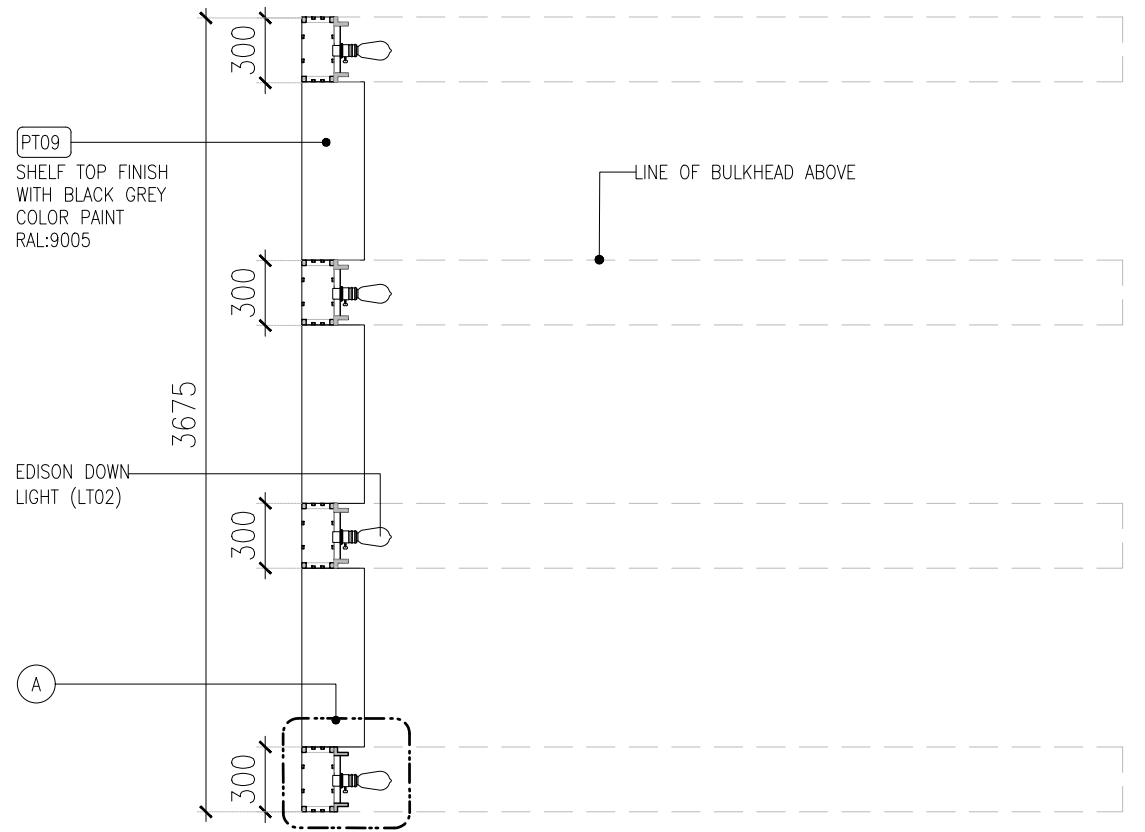
TOP PLAN (SCALE 1:35)



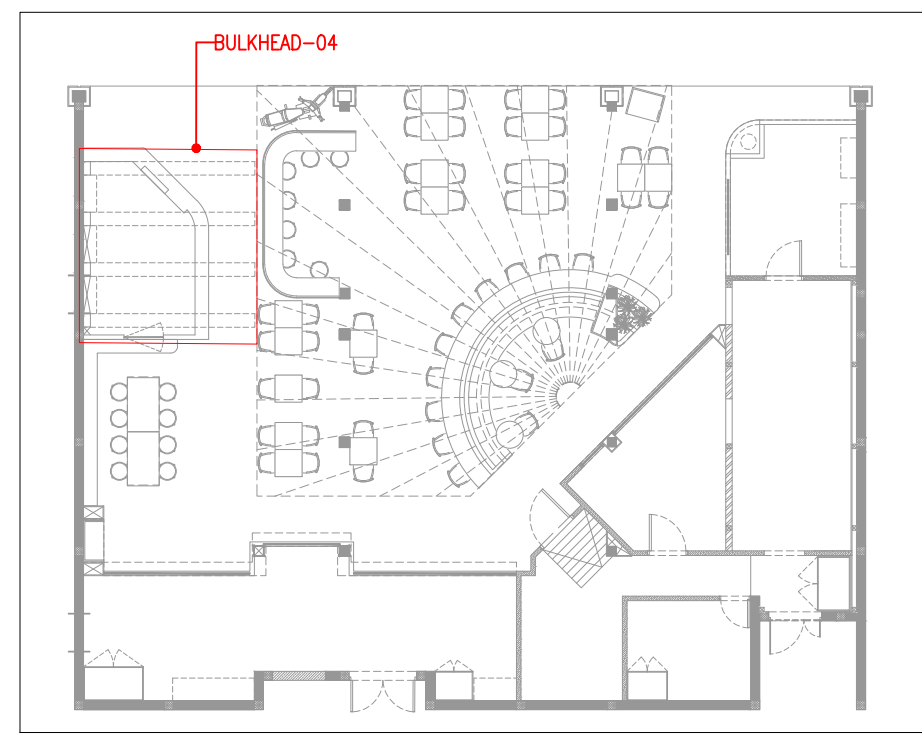
FRAMING PLAN @ 500 MM LVL (SCALE 1:35)



DETAIL-A (SCALE 1:5)



FRAMING PLAN @ 1400 MM LVL (SCALE 1:35)



KEY PLAN

T01	09.01.24	TENDER	HOD	HOD
REV	DATE	DESCRIPTION	DRN	CHK



PROJECT
DILLI STREET
L5 LEVEL
T1, IGI AIRPORT
DELHI

DRAWING TITLE
J15-BULKHEAD-04 DETAIL PART-A

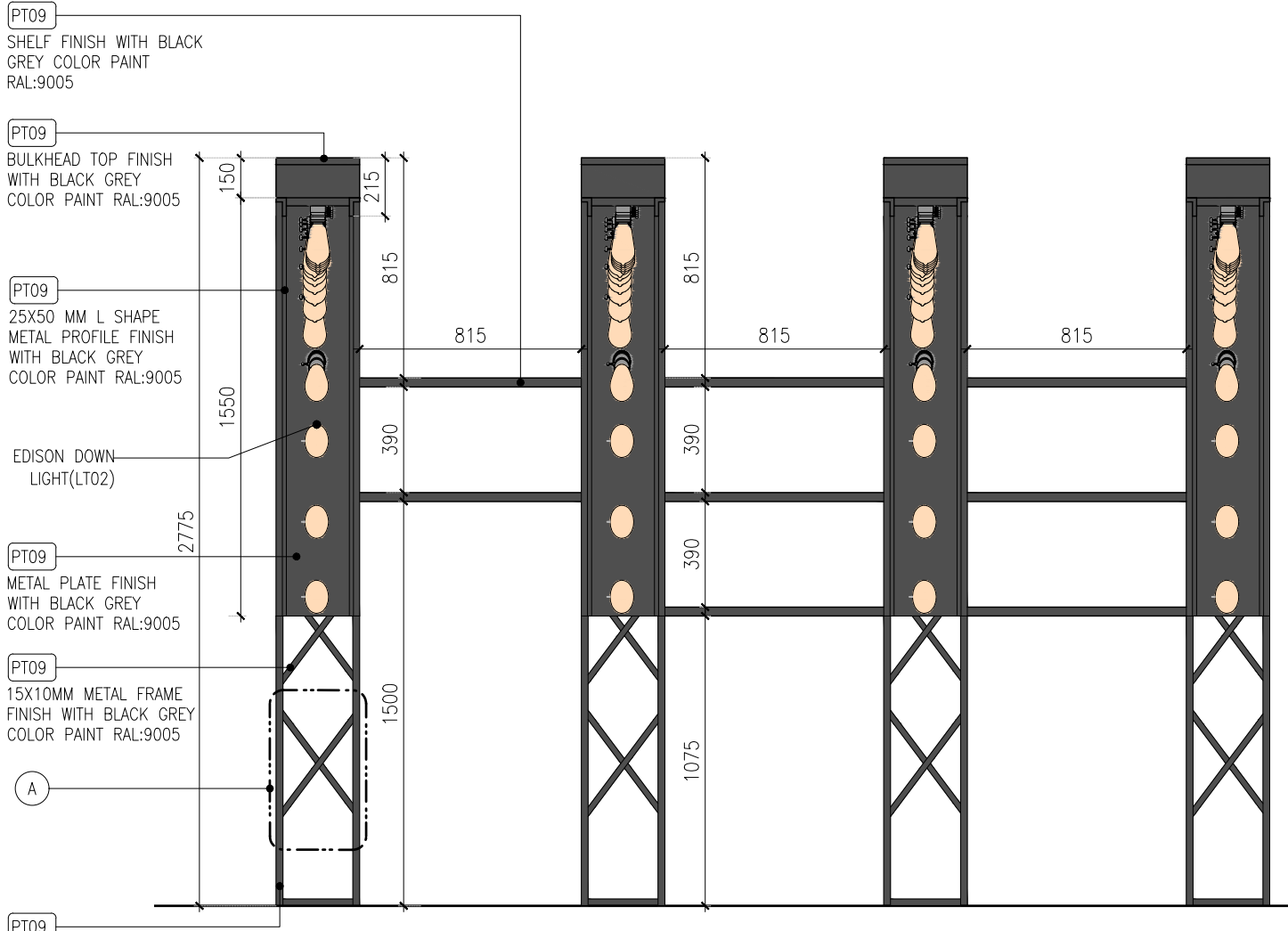
SCALE 1:35 DATE 09.01.2024 DRAWN HOD A3 SHEET

STATUS
TENDER

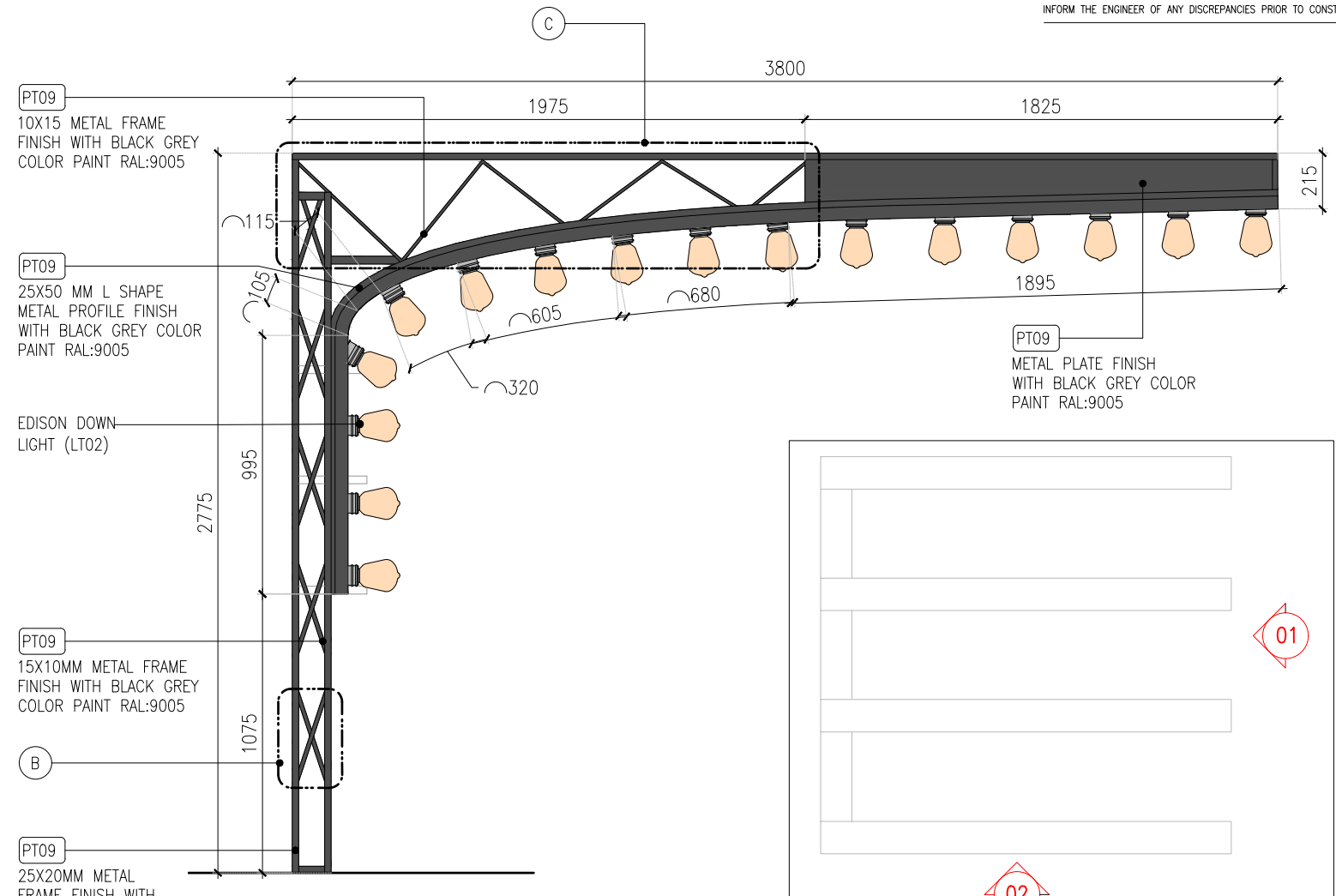
ORG	PROJECT NO	DRAWING TYPE	NUMBER	REV
TFS	0000	04DE	421	T01

01 J15-BULKHEAD-04 DETAIL PART-A
04DE-421

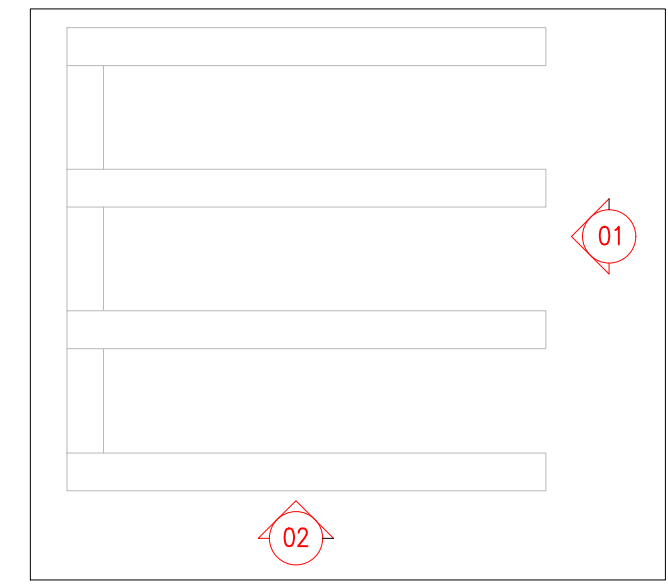
ALL DIMENSIONS MUST BE CHECKED ON SITE.
INFORM THE ENGINEER OF ANY DISCREPANCIES PRIOR TO CONSTRUCTION.



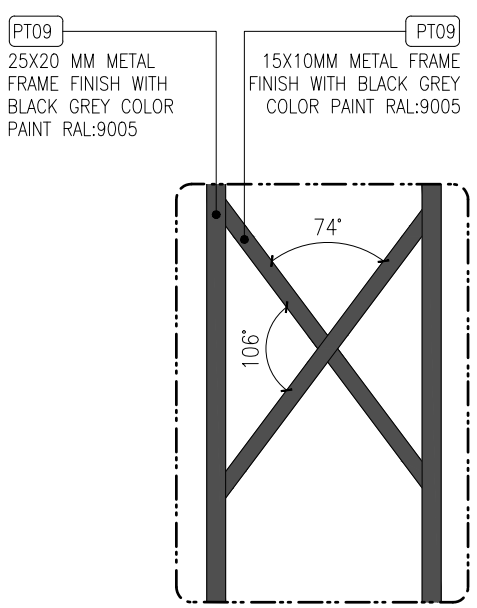
01 ELEVATION-01
04DE-422 1:25



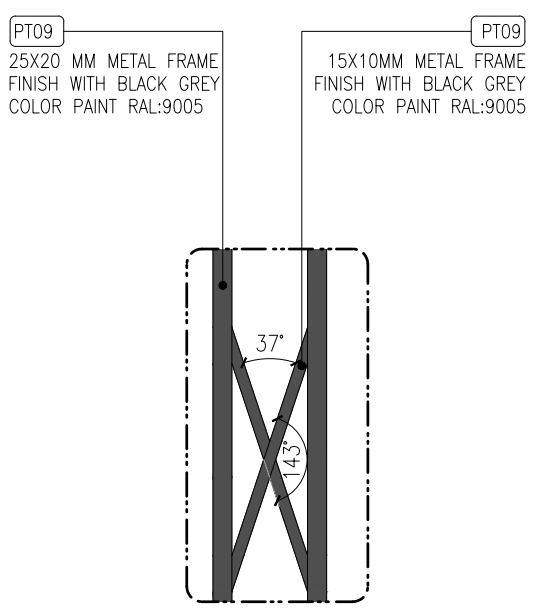
02 ELEVATION-02
04DE-422 1:25



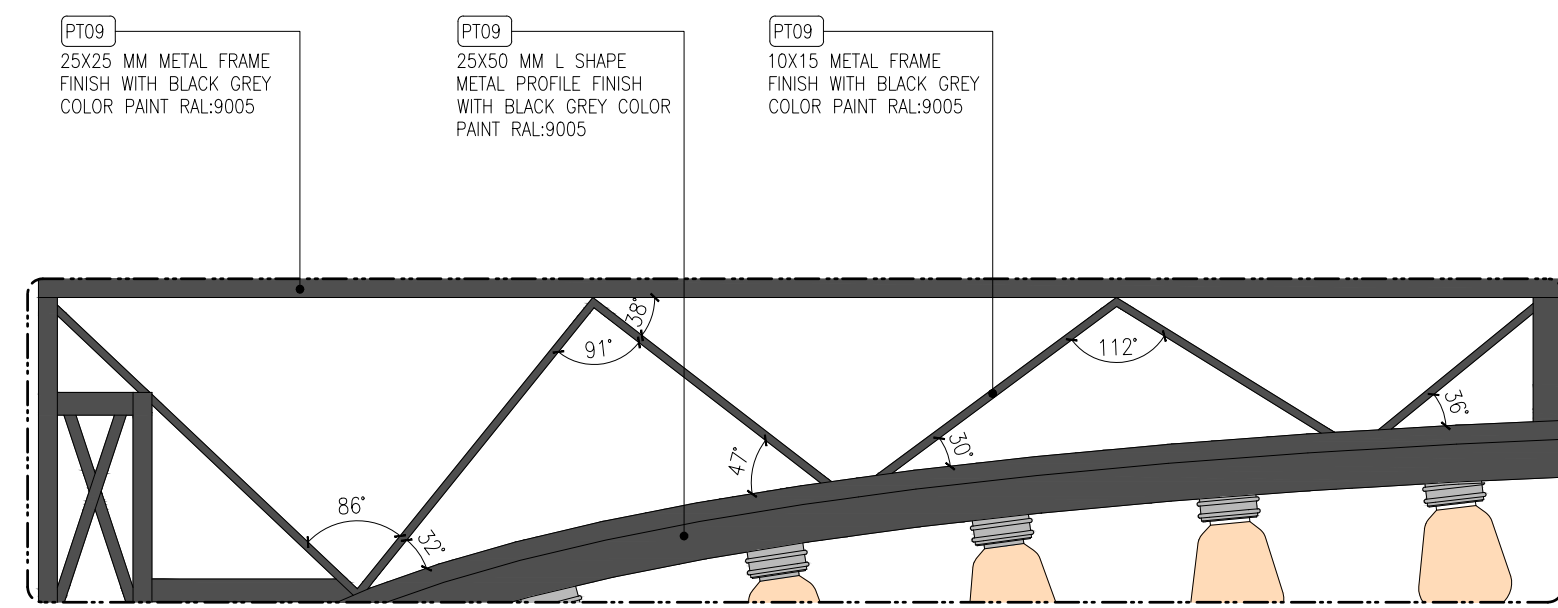
KEY PLAN



DETAIL-A (SCALE 1:10)



DETAIL-B (SCALE 1:10)



DETAIL-C (SCALE 1:10)

T01	09.01.24	TENDER	HOD	HOD
REV	DATE	DESCRIPTION	DRN	CHK



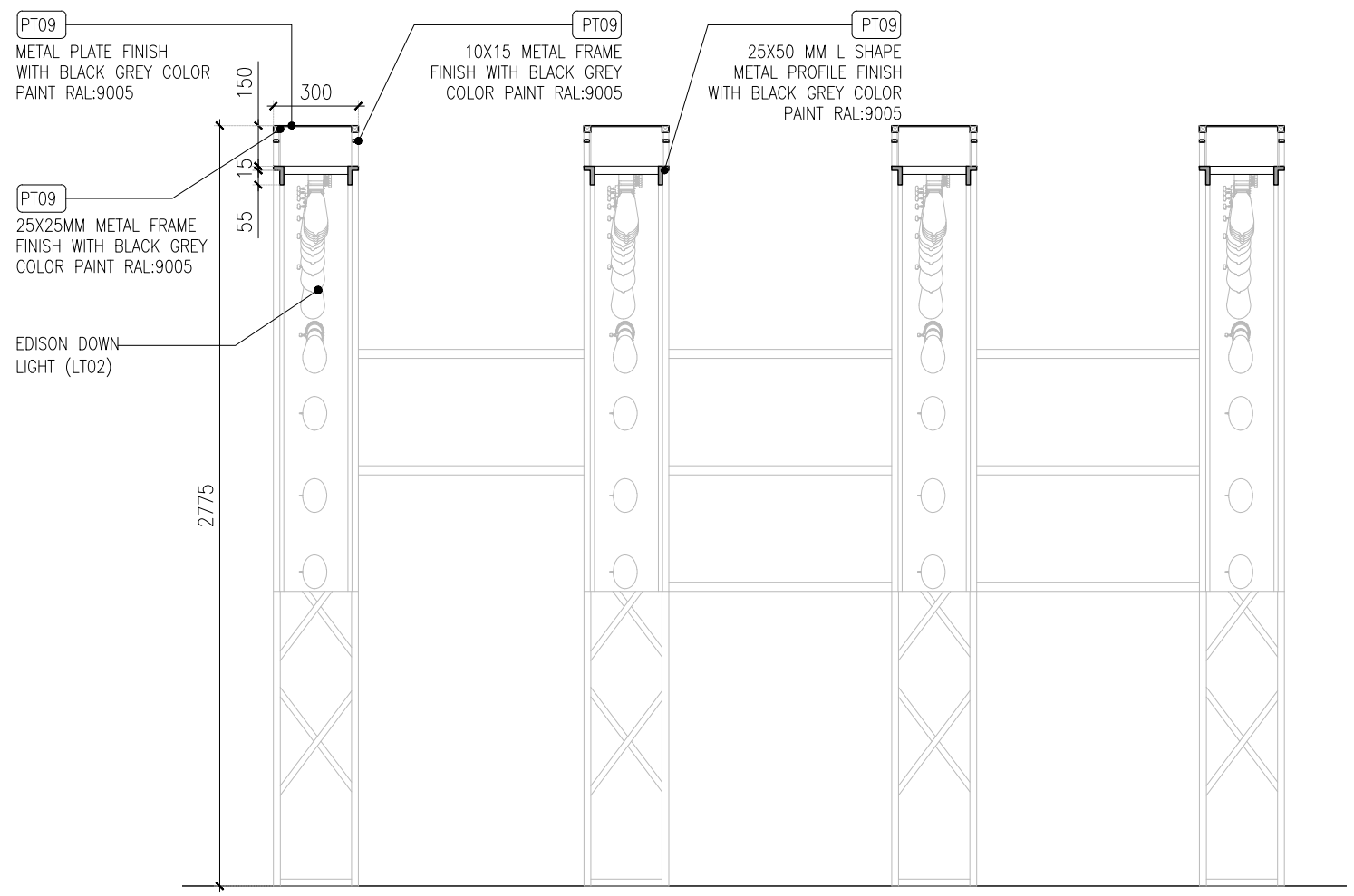
PROJECT
**DILLI STREET
L5 LEVEL
T1, IGI AIRPORT
DELHI**

DRAWING TITLE
J15-BULKHEAD-04 DETAIL PART-B

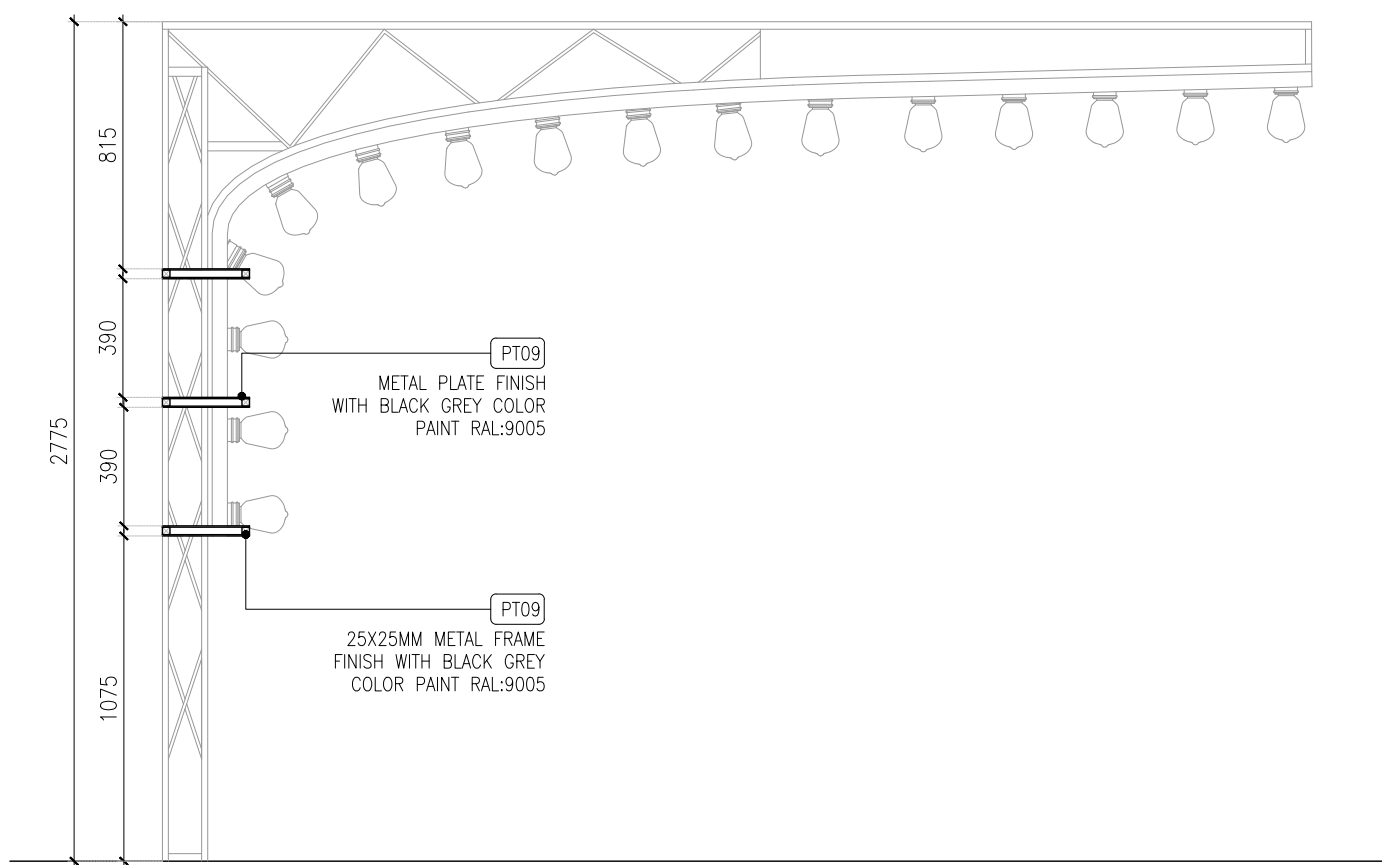
SCALE AS MENTIONED DATE 09.01.2024 DRAWN HOD A3 SHEET

STATUS
TENDER

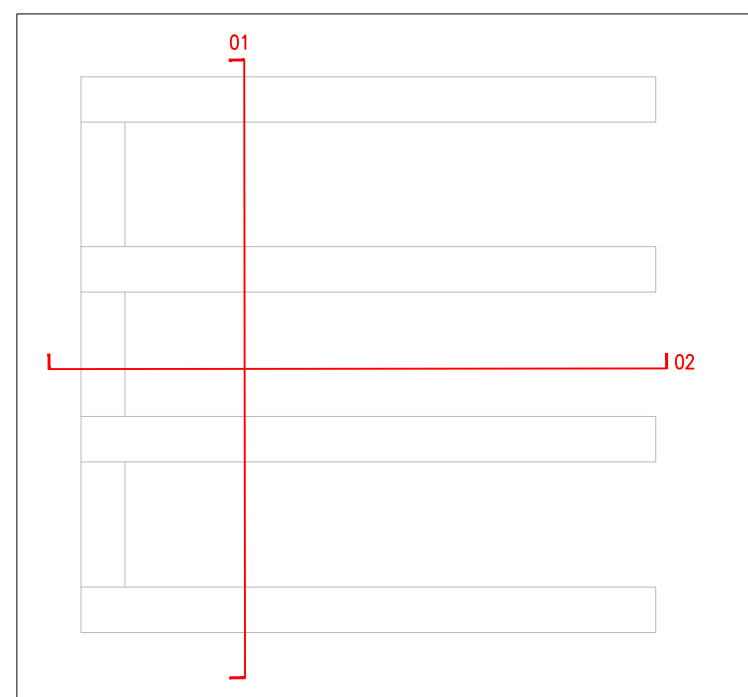
ORG	PROJECT NO	DRAWING TYPE	NUMBER	REV
TFS	0000	04DE	422	T01



01 SECTION-01
04DE-423 1:25



02 SECTION-02
04DE-423 1:25



KEY PLAN

REV	DATE	DESCRIPTION	HOD	CHK
T01	09.01.24	TENDER	HOD	HOD



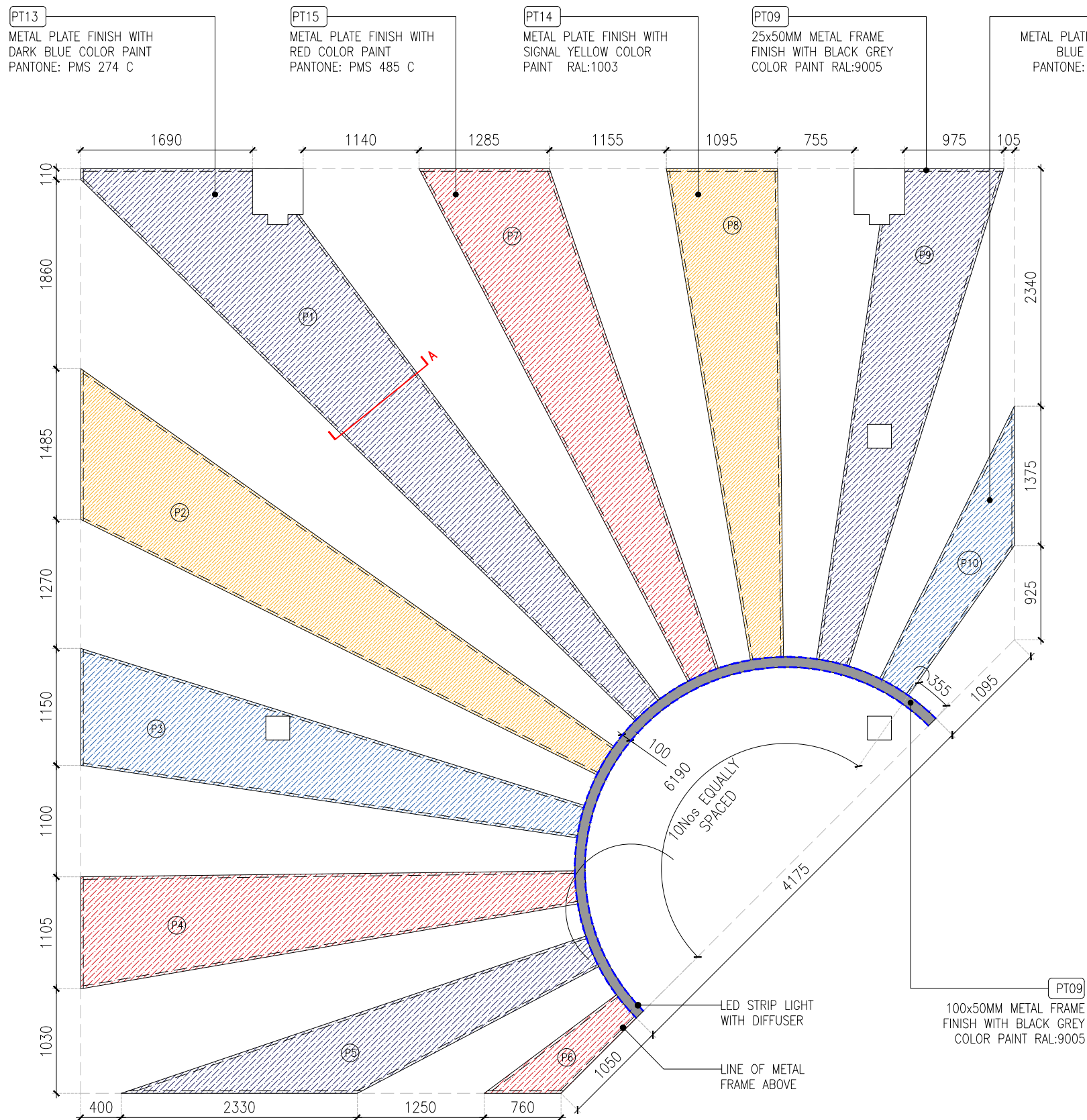
PROJECT
DILLI STREET
L5 LEVEL
T1 , IGI AIRPORT
DELHI

DRAWING TITLE
J15-BULKHEAD-04 DETAIL PART-C

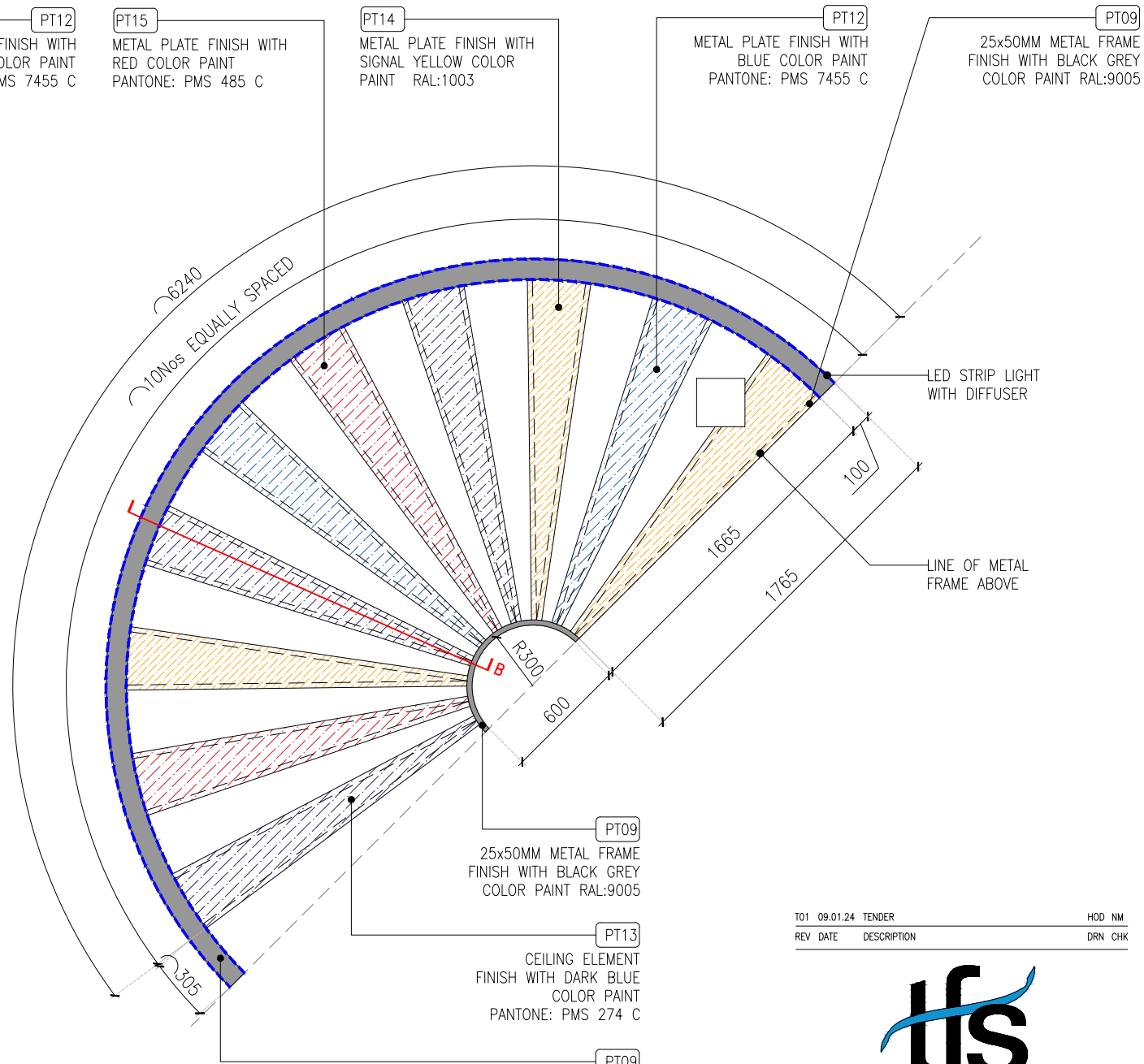
SCALE 1:25 DATE 09.01.2024 DRAWN HOD A3 SHEET

STATUS
TENDER

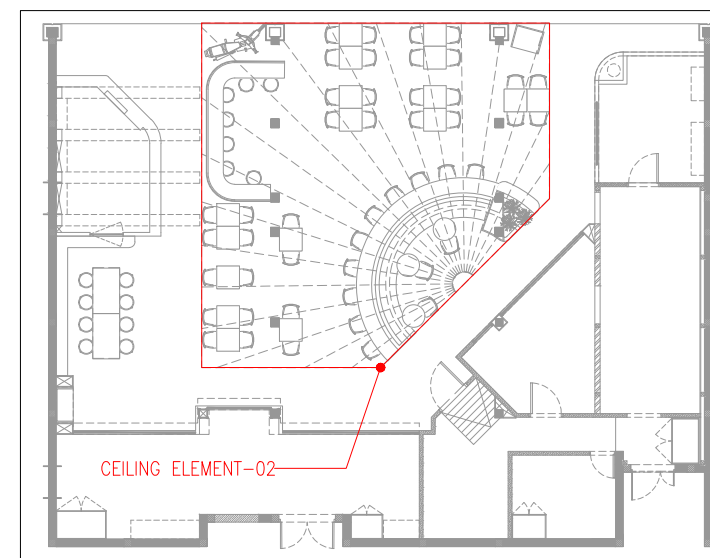
ORG	PROJECT NO	DRAWING TYPE	NUMBER	REV
TFS	0000	04DE	423	T01



PART-01 (SCALE 1:50)



PART-02 (SCALE 1:30)



KEYPLAN

PT13
METAL PLATE FINISH WITH
DARK BLUE COLOR PAINT
PANTONE: PMS 274 C

PT15
METAL PLATE FINISH WITH
RED COLOR PAINT
PANTONE: PMS 485 C

PT14
METAL PLATE FINISH WITH
SIGNAL YELLOW COLOR
PAINT RAL:1003

PT09
25x50MM METAL FRAME
FINISH WITH BLACK GREY
COLOR PAINT RAL:9005

PT12
METAL PLATE FINISH WITH
BLUE COLOR PAINT
PANTONE: PMS 7455 C

PT15
METAL PLATE FINISH WITH
RED COLOR PAINT
PANTONE: PMS 485 C

PT14
METAL PLATE FINISH WITH
SIGNAL YELLOW COLOR
PAINT RAL:1003

PT12
METAL PLATE FINISH WITH
BLUE COLOR PAINT
PANTONE: PMS 7455 C

PT09
25x50MM METAL FRAME
FINISH WITH BLACK GREY
COLOR PAINT RAL:9005

T01	09.01.24	TENDER		HOD	NM
REV	DATE	DESCRIPTION		DRN	CHK



PROJECT
**DILLI STREET
L5 LEVEL
T1 , IGI AIRPORT
DELHI**

DRAWING TITLE
**J17-CEILING ELEMENT-02 DETAIL
PART-A**

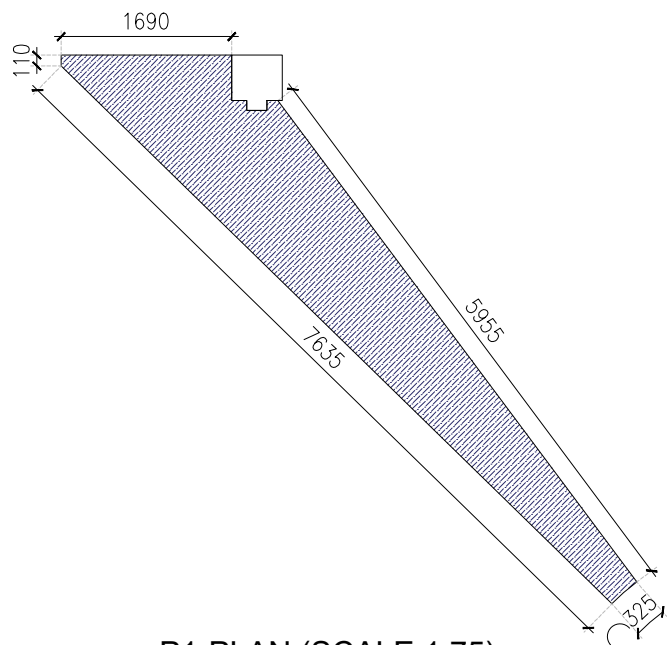
SCALE AS MENTIONED DATE 09.01.2024 DRAWN HOD A3 SHEET

STATUS
TENDER

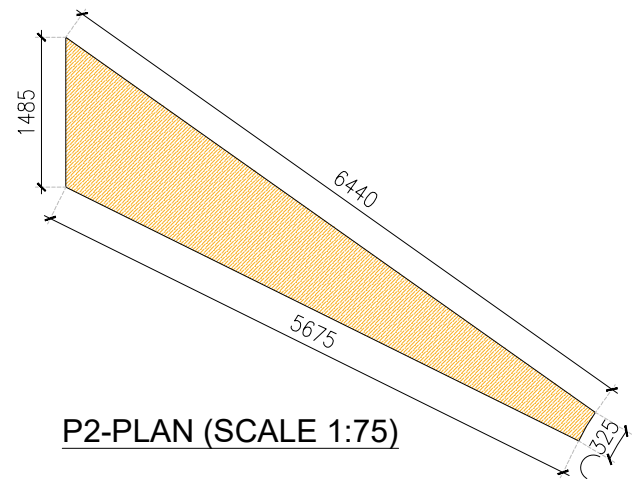
ORG	PROJECT NO	DRAWING TYPE	NUMBER	REV
TFS	0000	04DE	424	T01

01 J17-CEILING ELEMENT-02 DETAIL PART-A
04DE-424

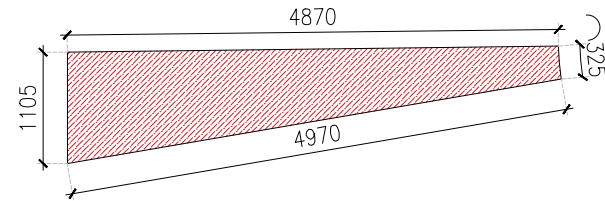
ALL DIMENSIONS MUST BE CHECKED ON SITE.
INFORM THE ENGINEER OF ANY DISCREPANCIES PRIOR TO CONSTRUCTION.



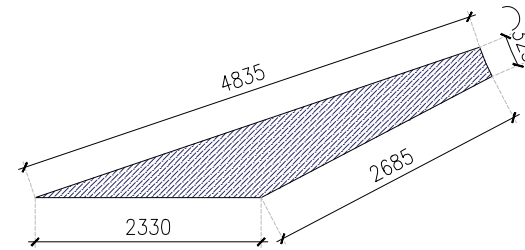
P1-PLAN (SCALE 1:75)



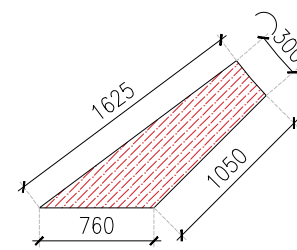
P2-PLAN (SCALE 1:75)



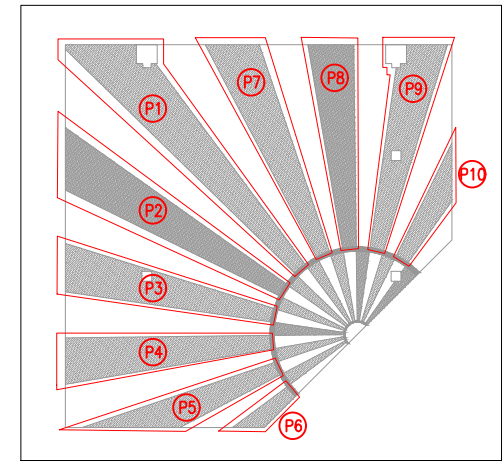
P4-PLAN (SCALE 1:75)



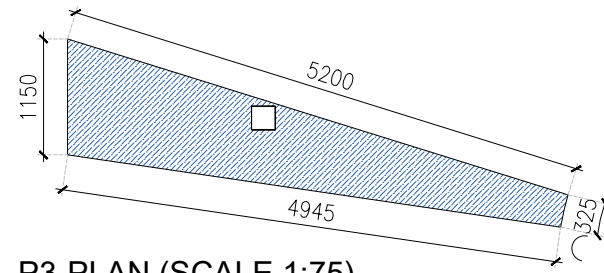
P5-PLAN (SCALE 1:75)



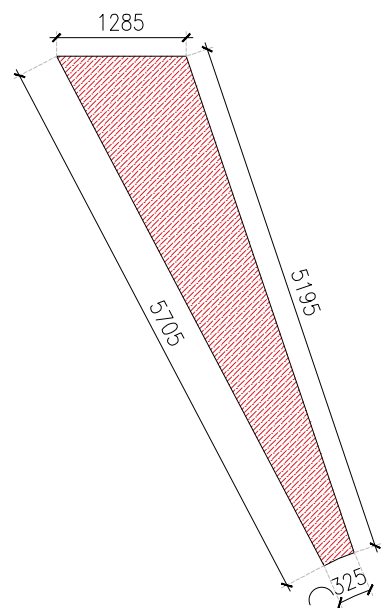
P6-PLAN (SCALE 1:50)



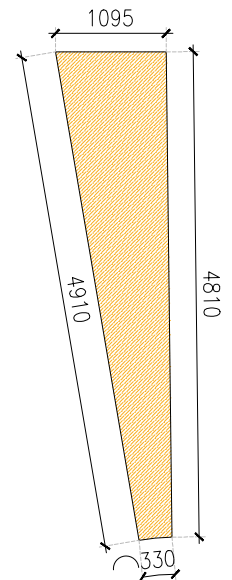
KEY PLAN



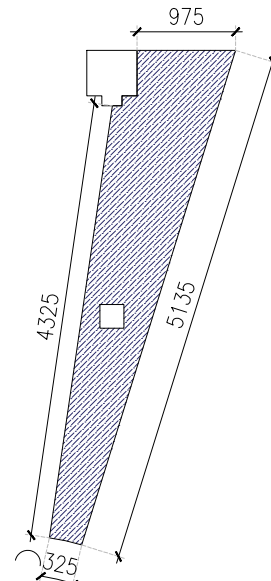
P3-PLAN (SCALE 1:75)



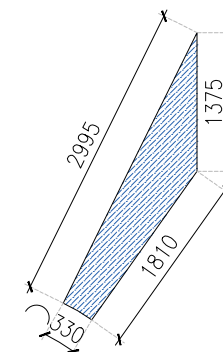
P7-PLAN (SCALE 1:75)



P8-PLAN (SCALE 1:75)



P9-PLAN (SCALE 1:75)



P10-PLAN (SCALE 1:75)

CEILING LEGEND		
PATTERN	FINISH	BOTTOM OF CEILING(MM)
[Red hatched pattern]	PT15 RED COLOR PAINT PANTONE: PMS 485 C	+3000 MM
[Dark blue hatched pattern]	PT13 WITH DARK BLUE COLOR PAINT PANTONE: PMS 274 C	+3000 MM
[Light blue hatched pattern]	PT13 BLUE COLOR PAINT PANTONE: PMS 7455 C	+3000 MM
[Yellow hatched pattern]	PT14 SIGNAL YELLOW COLOR \\ PAINT RAL:1003	+3000 MM

T01 09.01.24 TENDER HOD NM
REV DATE DESCRIPTION DRN CHK



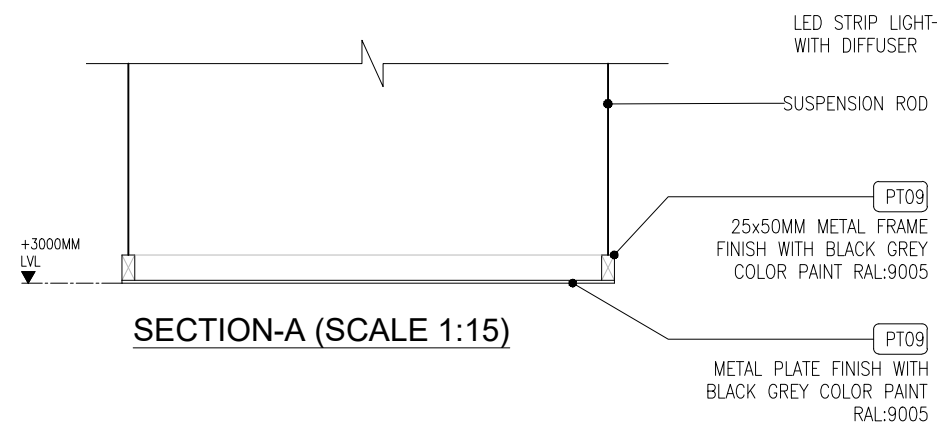
PROJECT
**DILLI STREET
L5 LEVEL
T1 , IGI AIRPORT
DELHI**

DRAWING TITLE
**J17-CEILING ELEMENT-02 DETAIL
PART-B**

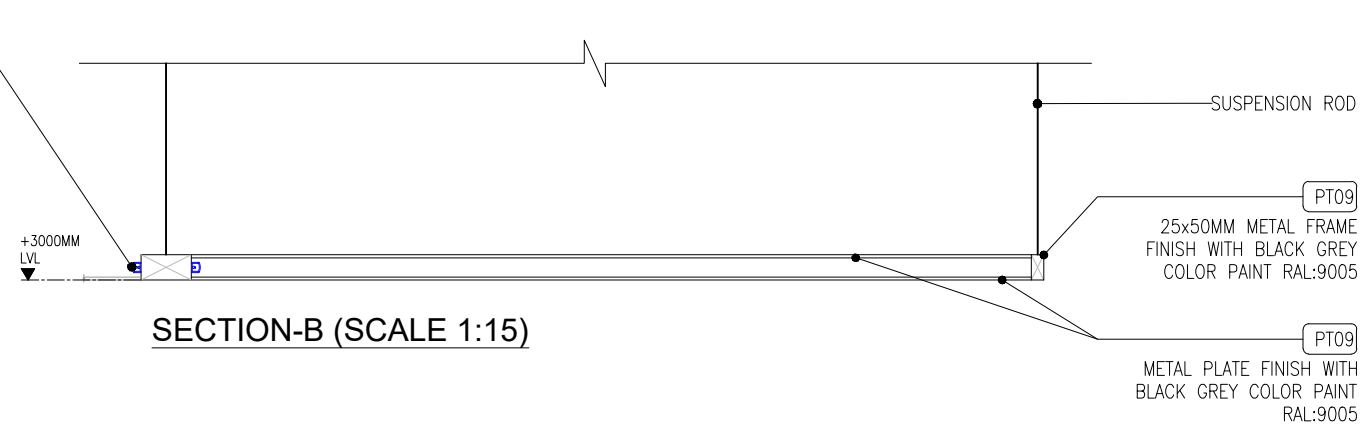
SCALE AS MENTIONED DATE 09.01.2024 DRAWN HOD A3 SHEET

STATUS
TENDER

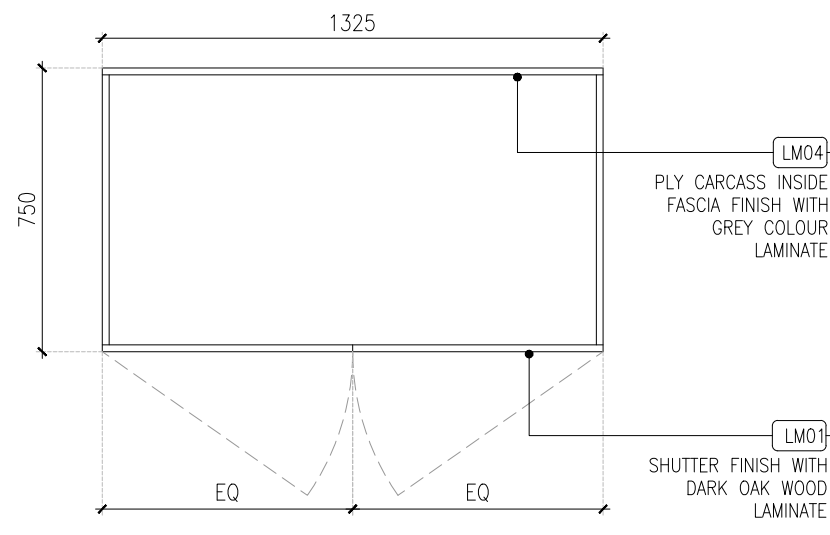
ORG PROJECT NO DRAWING TYPE NUMBER REV
TFS 0000 04DE 425 T01



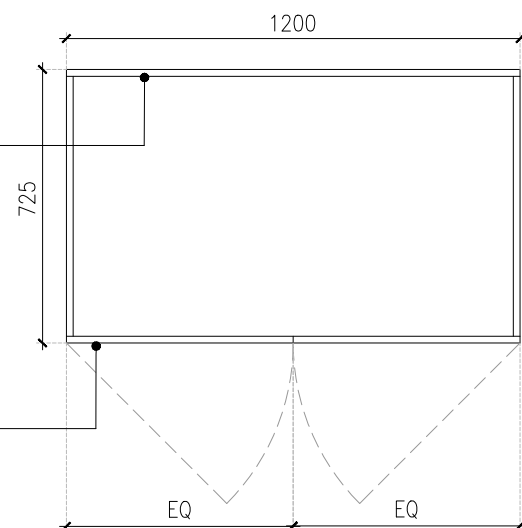
SECTION-A (SCALE 1:15)



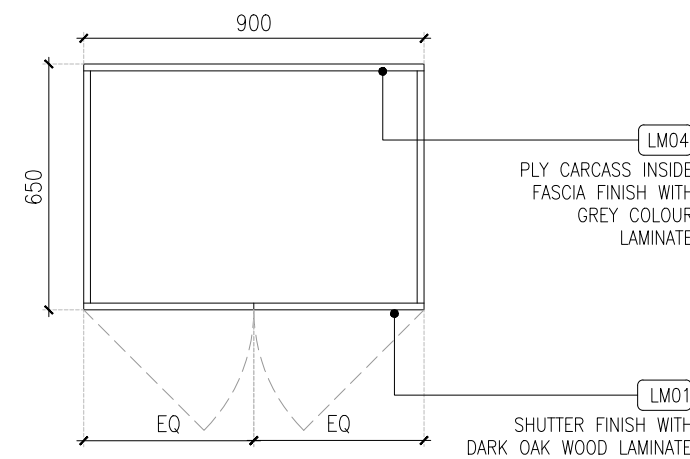
SECTION-B (SCALE 1:15)



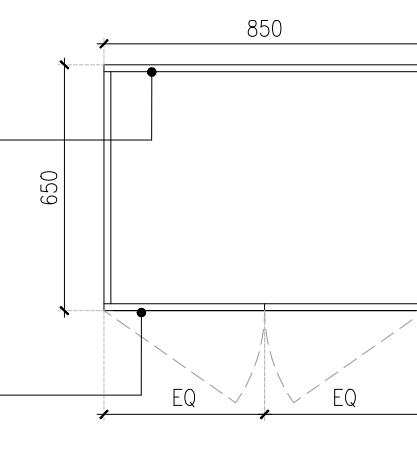
SERVICE CLOSET-01 FRAMING PLAN
@1200MM LVL(SCALE 1:20)



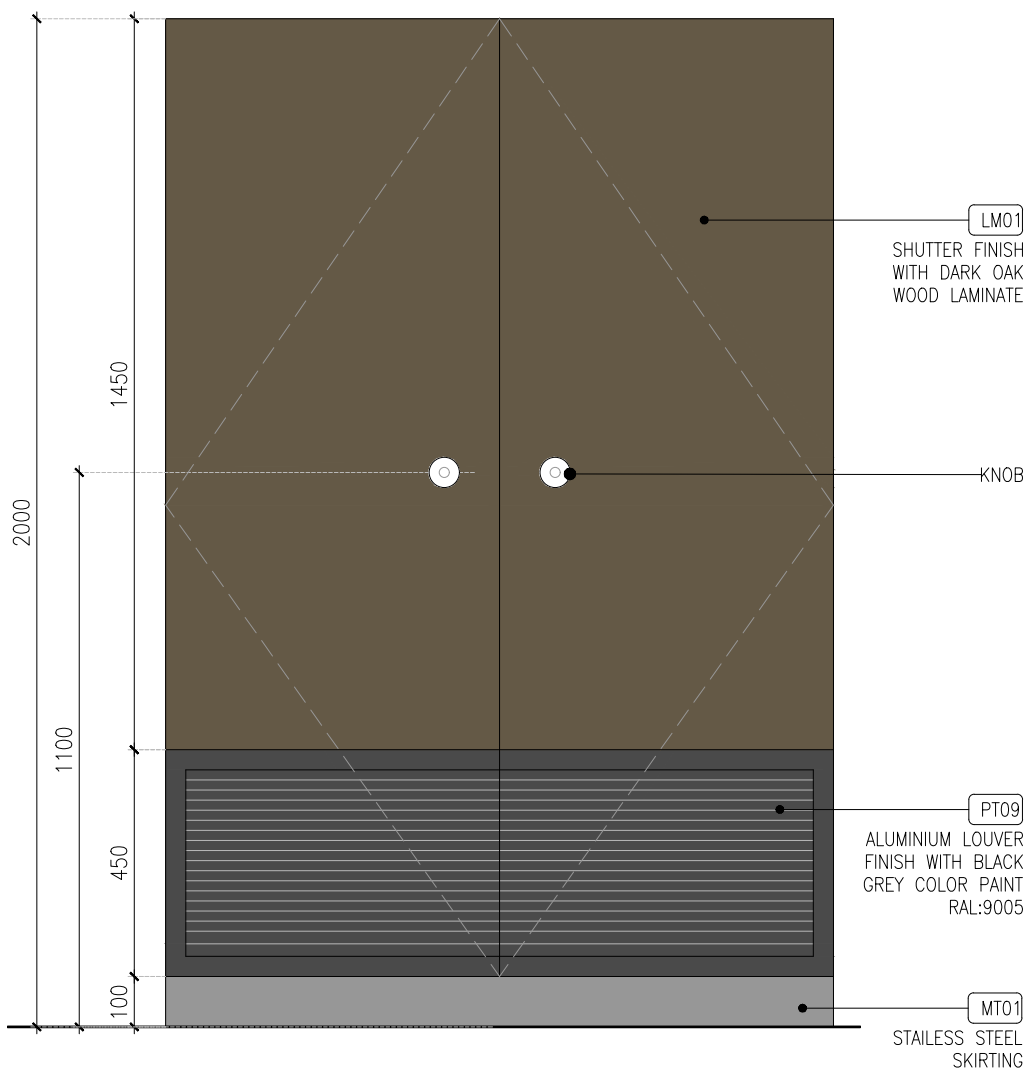
SERVICE CLOSET-02 FRAMING PLAN
@1200MM LVL(SCALE 1:20)



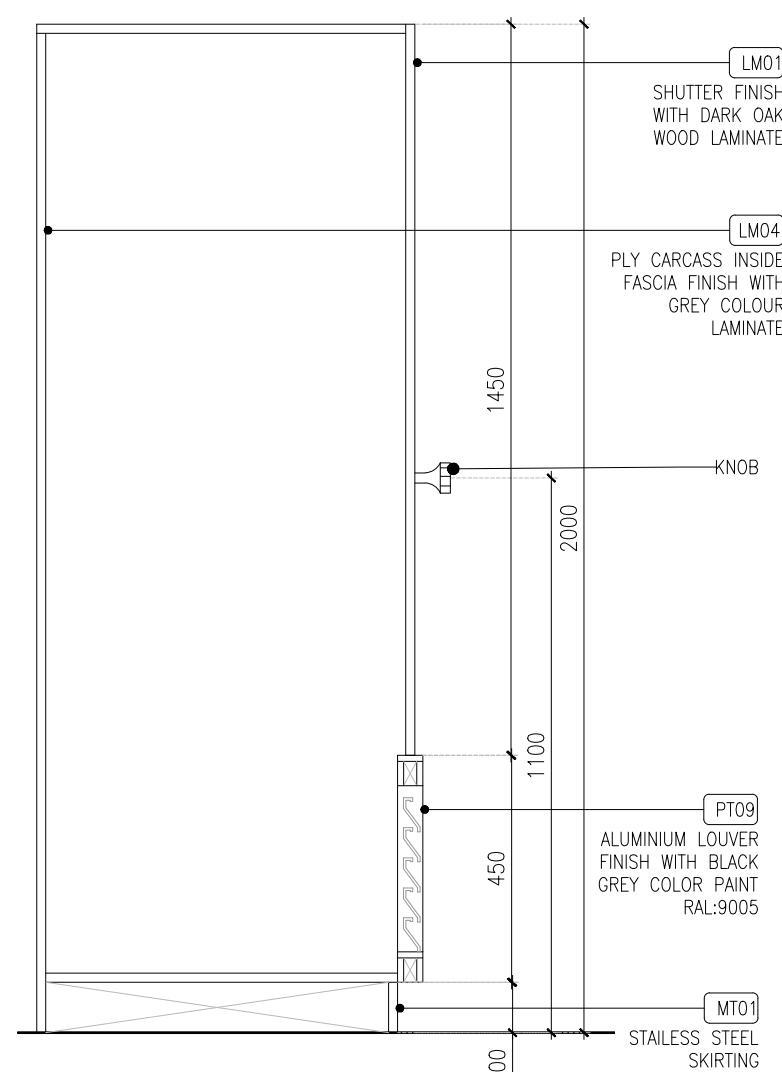
SERVICE CLOSET-03 FRAMING PLAN
@1200MM LVL(SCALE 1:20)



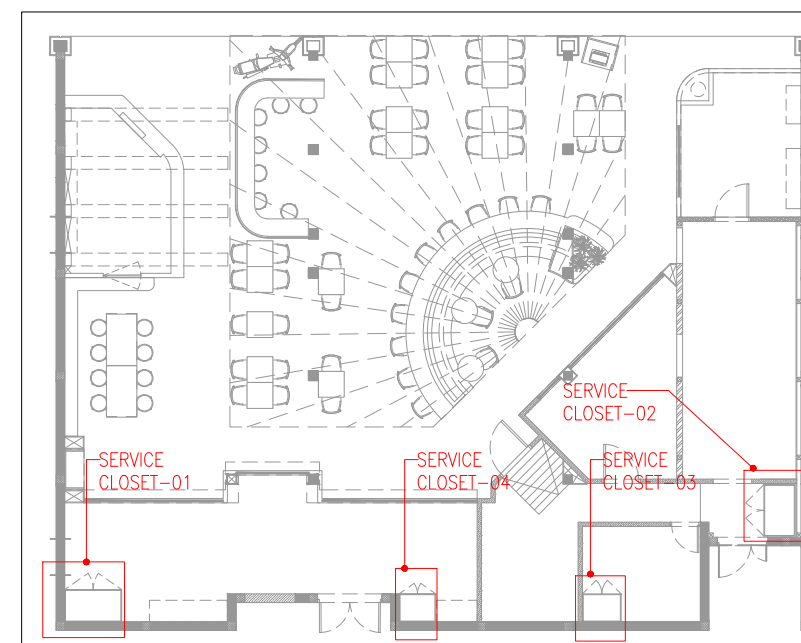
SERVICE CLOSET-04 FRAMING PLAN
@1200MM LVL(SCALE 1:20)



TYPICAL ELEVATION (SCALE 1:15)



TYPICAL SECTION (SCALE 1:15)



KEY PLAN

T01	09.01.24	TENDER	HOD	NM
REV	DATE	DESCRIPTION	DRN	CHK



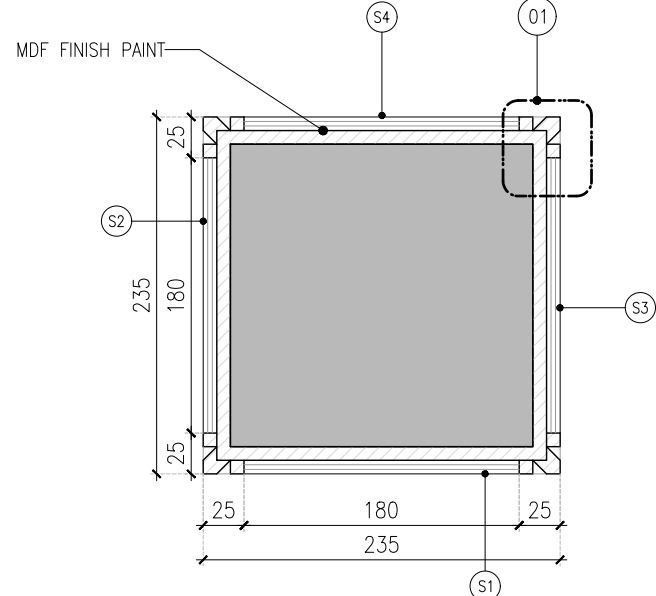
PROJECT
DILLI STREAT
L5 LEVEL
T1 , IGI AIRPORT
DELHI

DRAWING TITLE
J18 - SERVICE CLOSET 01,02,03
& 04 DETAIL

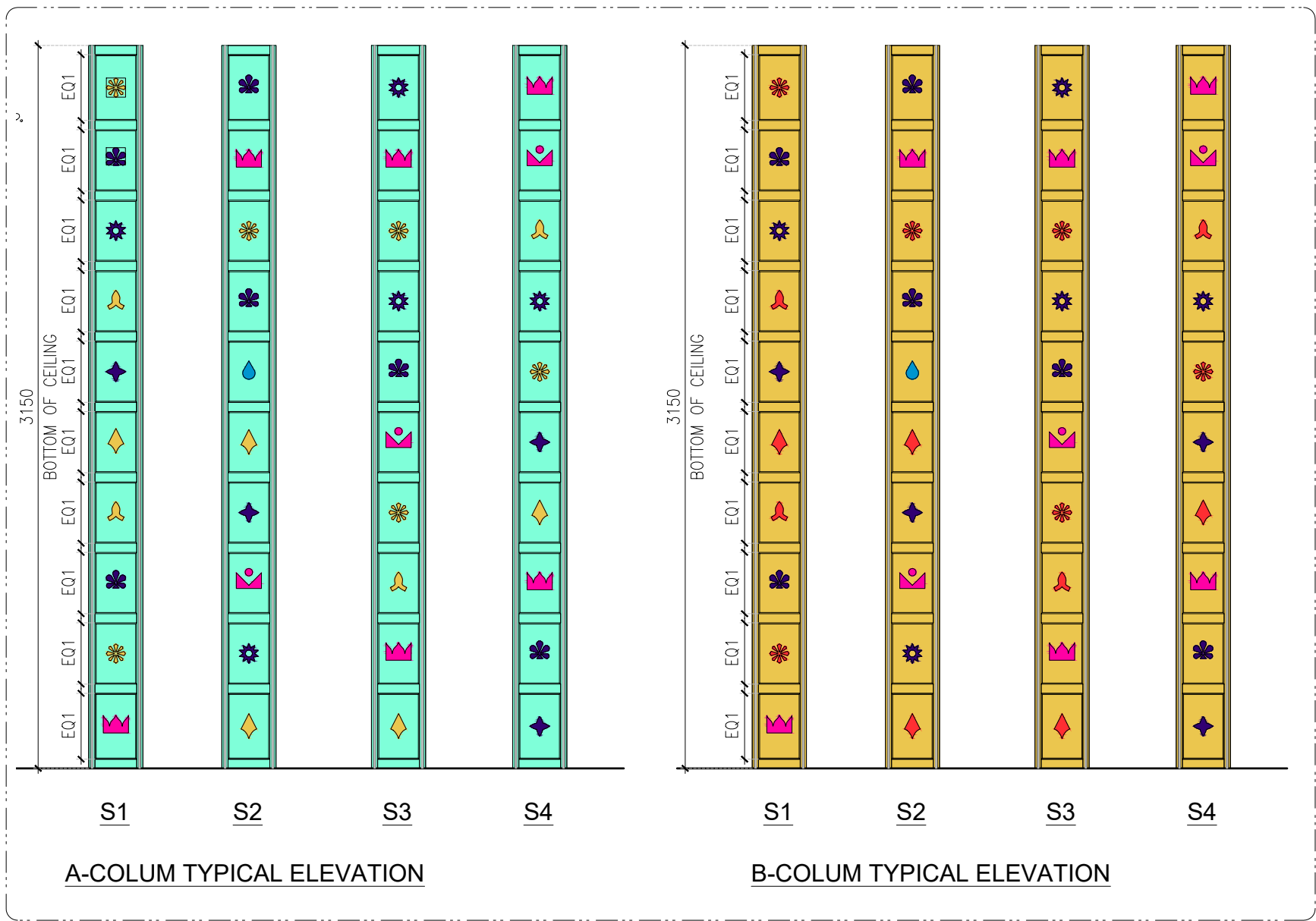
SCALE AS MENTIONED DATE 09.01.2024 DRAWN HOD A3 SHEET

STATUS
TENDER

ORG	PROJECT NO	DRAWING TYPE	NUMBER	REV
SSP	0000	04DE	426	T01



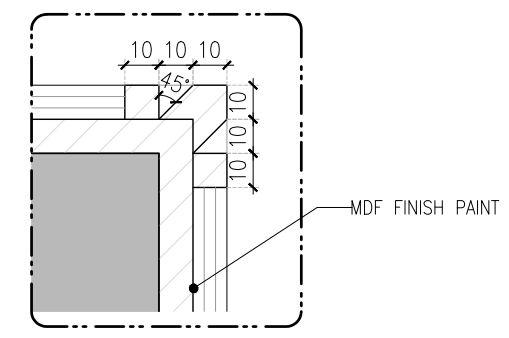
FRAMING PLAN @1200MM LVL (SCALE:1:5)



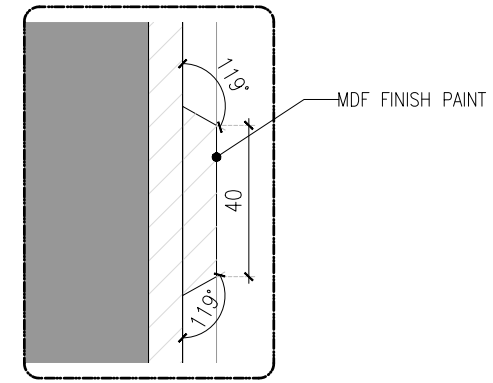
A-COLUMN TYPICAL ELEVATION

B-COLUMN TYPICAL ELEVATION

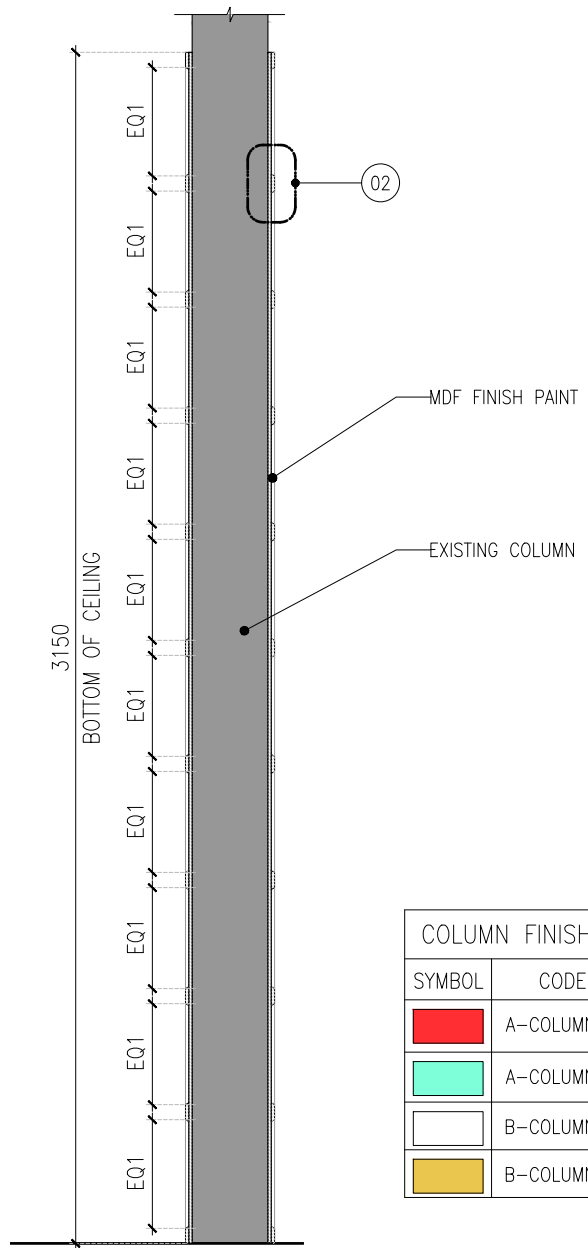
ALL DIMENSIONS MUST BE CHECKED ON SITE
INFORM THE ARCHITECT OF ANY DISCREPANCIES PRIOR TO CONSTRUCTION



DETAIL-01 (SCALE 1:2)



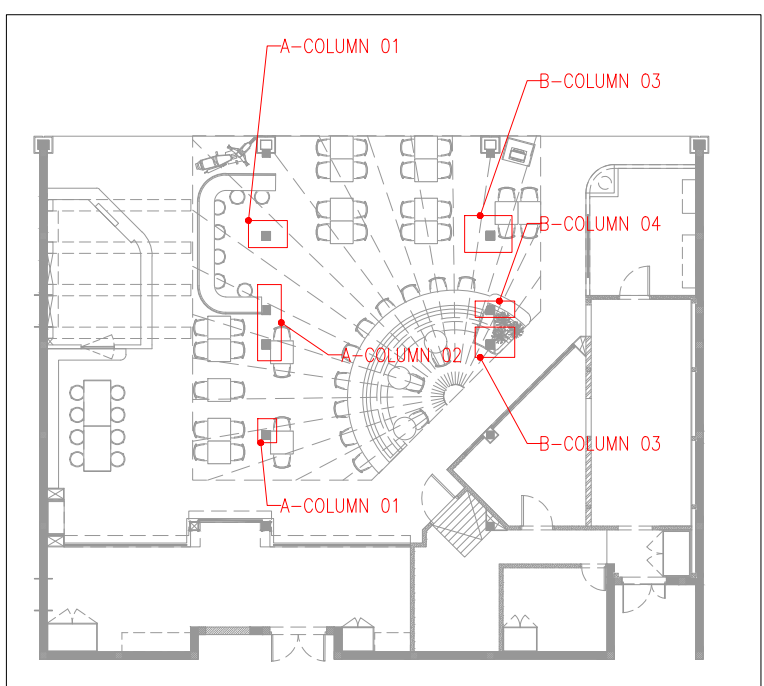
DETAIL-02 (SCALE 1:5)



TYPICAL SECTION

COLUMN FINISH LEGEND			
SYMBOL	CODE	DESCRIPTION	QTY.
	A-COLUMN 01	FINISH WITH PAINT	02
	A-COLUMN 02	FINISH WITH PAINT	02
	B-COLUMN 03	FINISH WITH PAINT	02
	B-COLUMN 04	FINISH WITH PAINT	01

LEGEND				
SYMBOL	CODE	DESCRIPTION	QTY.	SIZE
	A	MDF CUTTING FINISH WITH PAINT	24	85X85MM
	B	MDF CUTTING FINISH WITH PAINT	42	85X75MM
	C	MDF CUTTING FINISH WITH PAINT	35	80X85MM
	D	MDF CUTTING FINISH WITH PAINT	16	70X80MM
	F	MDF CUTTING FINISH WITH PAINT	28	85X85MM
	G	MDF CUTTING FINISH WITH PAINT	20	70X110MM
	H	MDF CUTTING FINISH WITH PAINT	42	110X75MM
	I	MDF CUTTING FINISH WITH PAINT	21	110X85MM
	J	MDF CUTTING FINISH WITH PAINT	18	85X85MM
	K	MDF CUTTING FINISH WITH PAINT	15	70X110MM
	L	MDF CUTTING FINISH WITH PAINT	12	70X80MM



KEY PLAN

T01 09.01.24 TENDER HOD NM
REV DATE DESCRIPTION DRN CHK



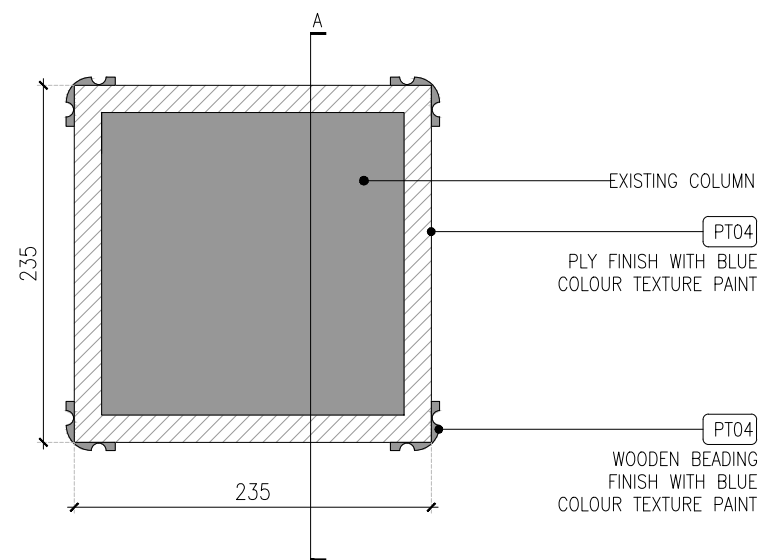
PROJECT
DILLI STREET
L5 LEVEL
T1, IGI AIRPORT
DELHI

DRAWING TITLE
J19-COLUMN DETAIL PART-A

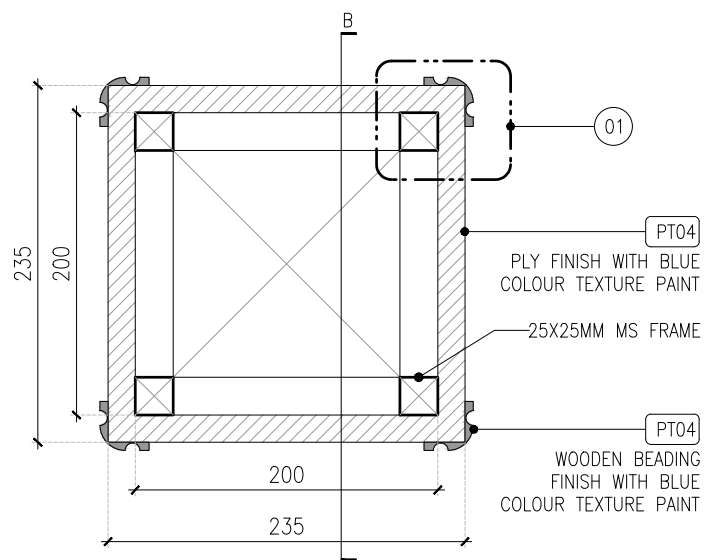
SCALE AS MENTIONED DATE 09.01.2024 DRAWN HOD A3 SHEET

STATUS
TENDER

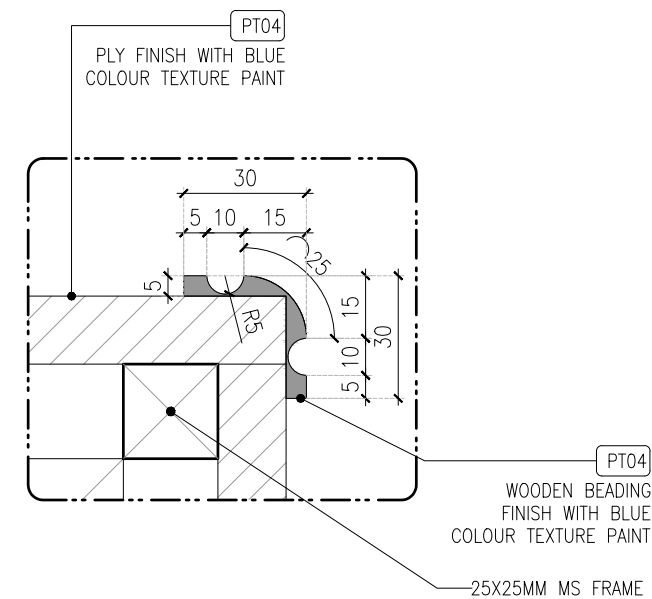
ORG PROJECT NO DRAWING TYPE NUMBER REV
SSP 0000 04DE 427 T01



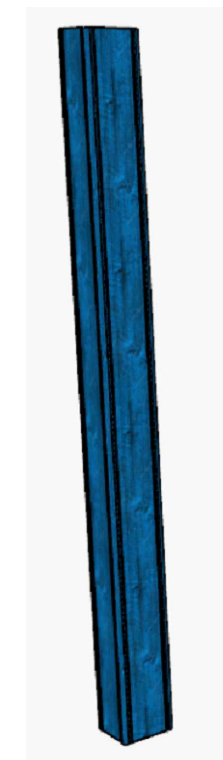
C-COLUMN FRAMING PLAN @1200MM LVL(SCALE:1:5)



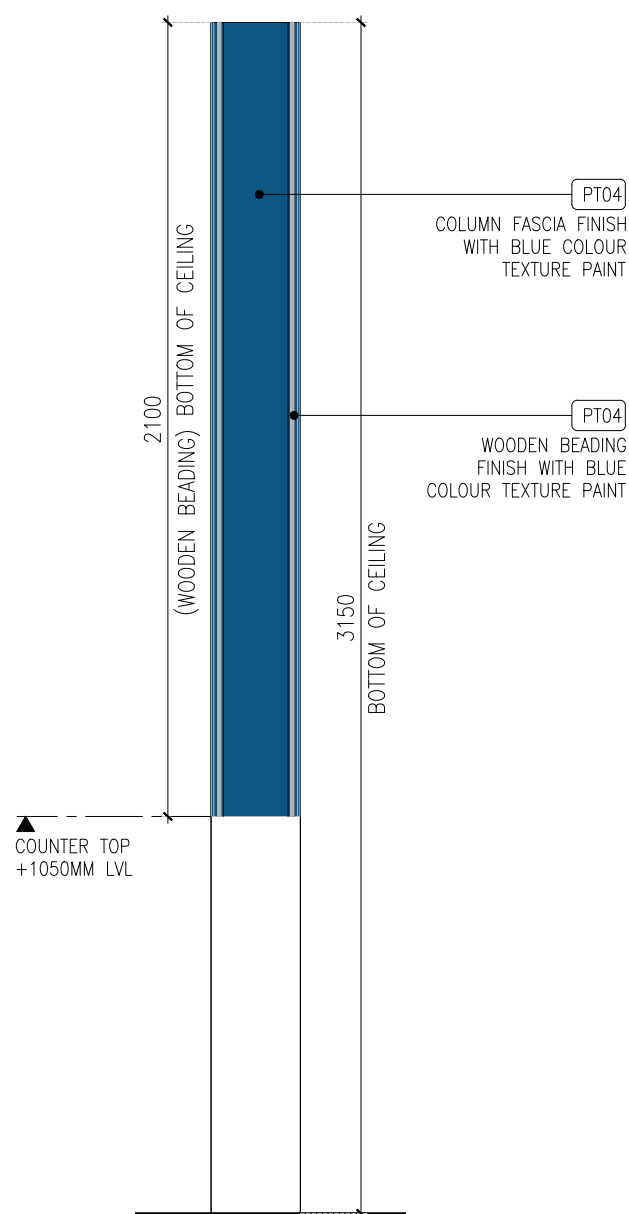
BOXING-02(BX2) FRAMING PLAN @1200MM LVL(SCALE:1:5)



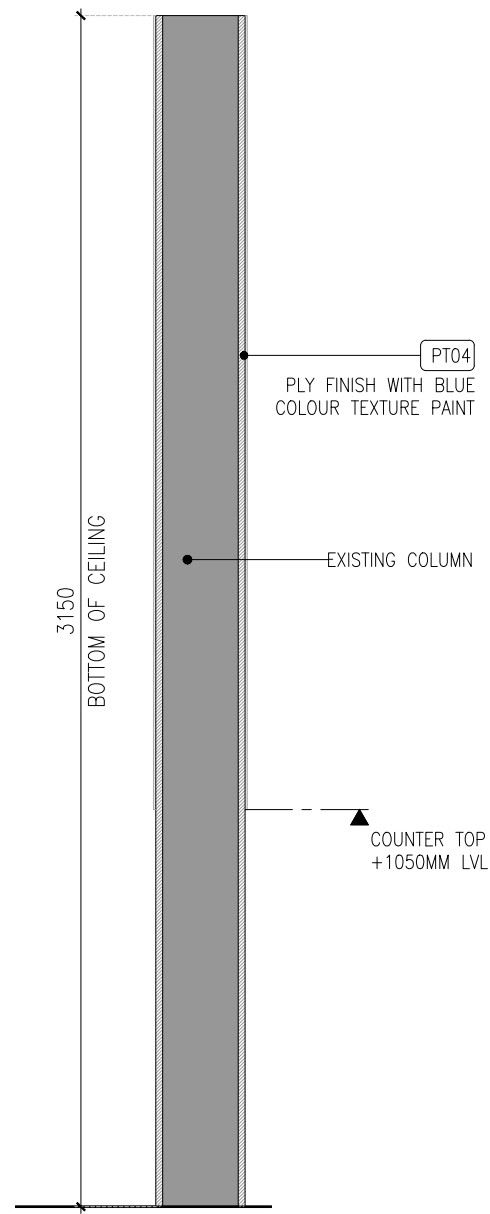
DETAIL-01 (SCALE 1:2)



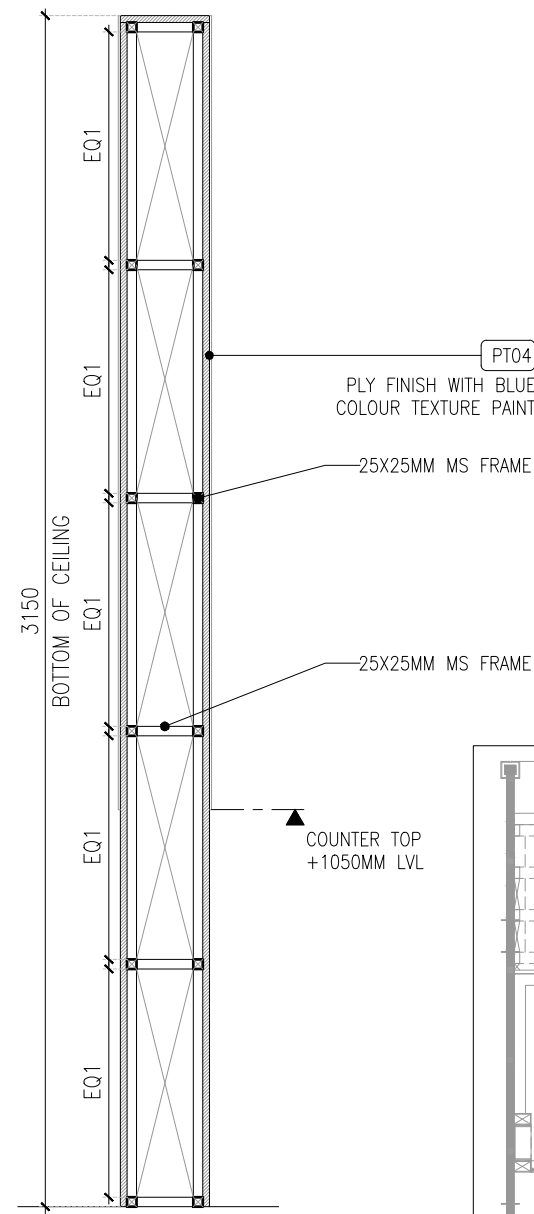
REF. IMAGE



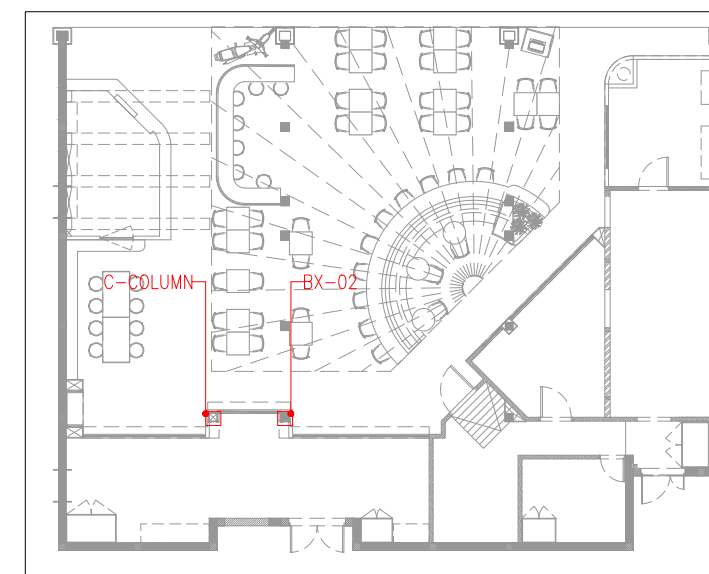
TYPICAL ELEVATION(SCALE 1:20)



SECTION-A(SCALE 1:20)



SECTION-B(SCALE 1:20)



KEY PLAN

REV	DATE	DESCRIPTION	HOD	NM
T01	09.01.24	TENDER		
			DRN	CHK



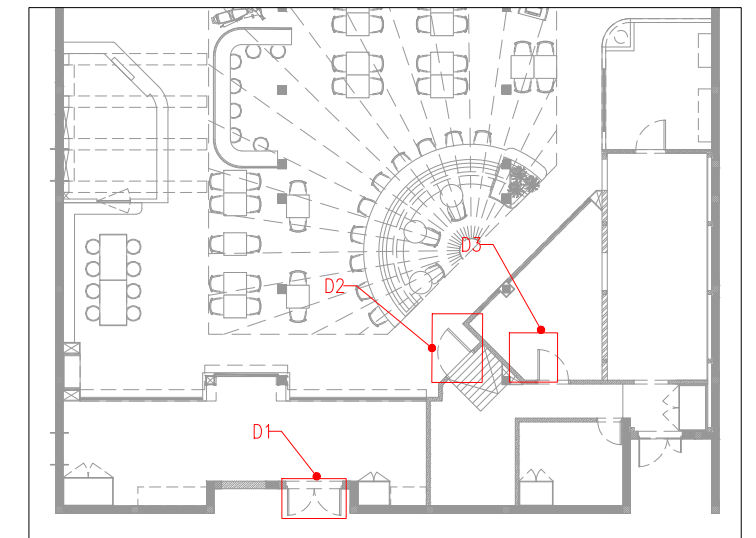
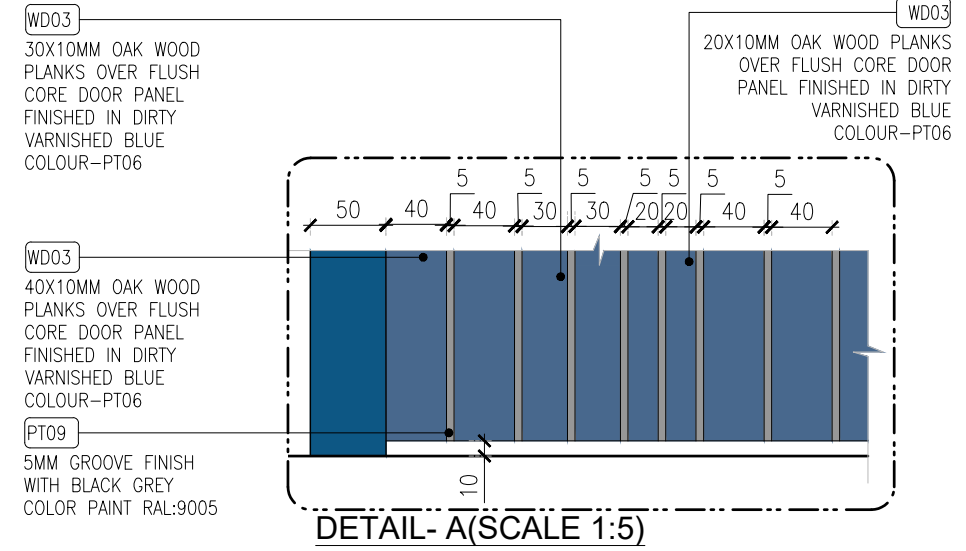
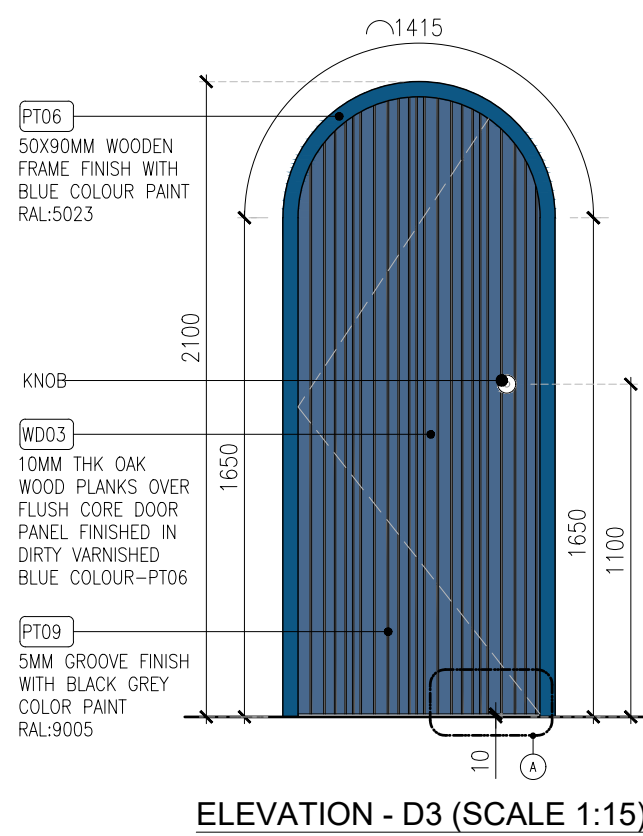
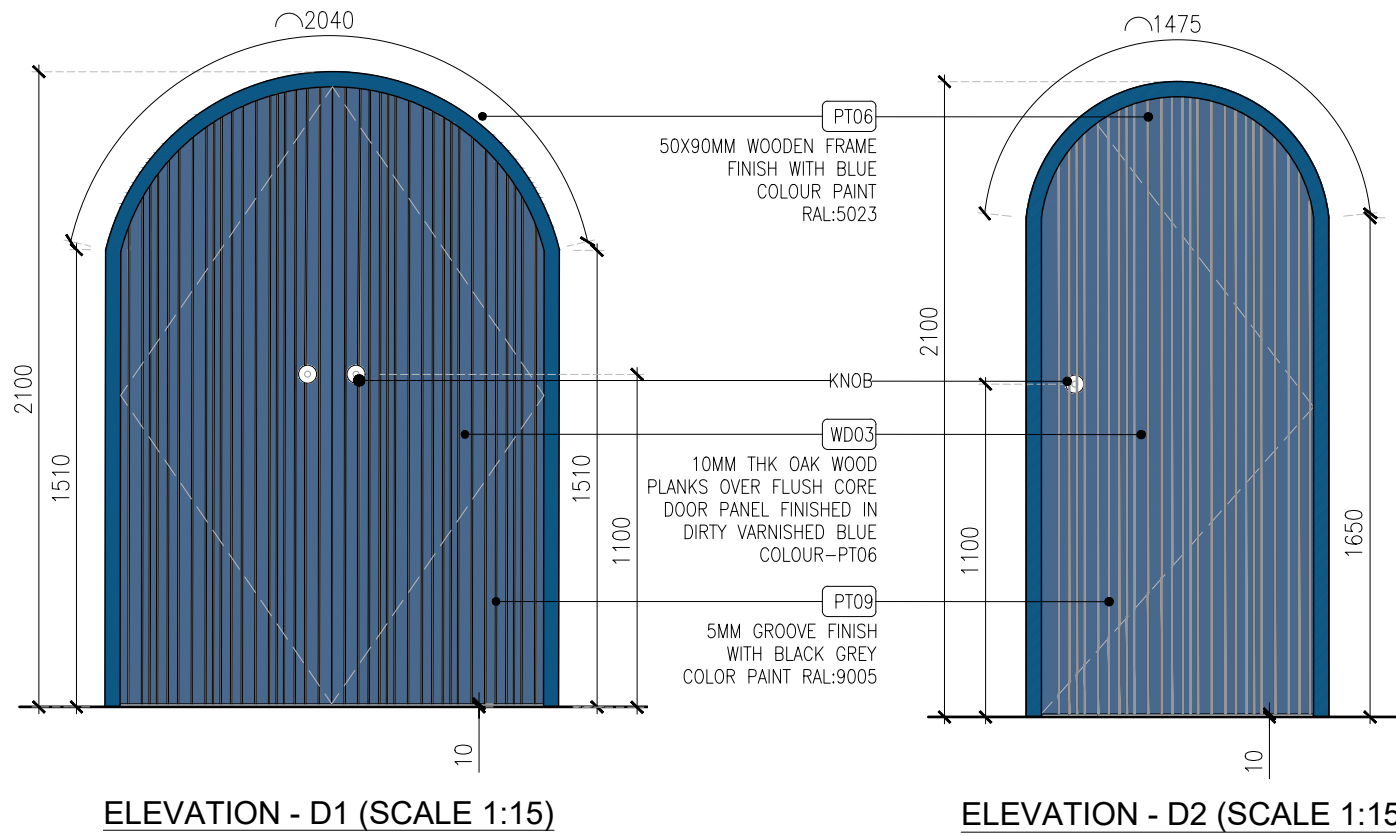
PROJECT
DILLI STREAT
L5 LEVEL
T1 , IGI AIRPORT
DELHI

DRAWING TITLE
J19-COLUMN DETAIL PART-B
& J20-BOXING-02 (BX02) DETAIL

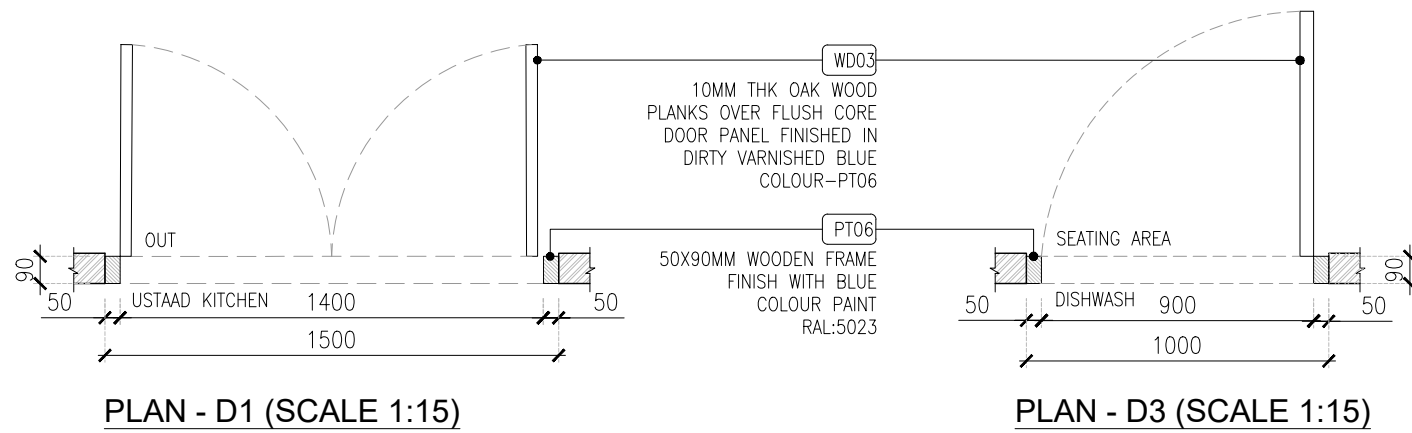
SCALE AS MENTIONED DATE 09.01.2024 DRAWN HOD A3 SHEET

STATUS
TENDER

ORG PROJECT NO DRAWING TYPE NUMBER REV
SSP 0000 04DE 428 T01



T01 09.01.24 TENDER HOD NM
REV DATE DESCRIPTION DRN CHK



01 J21 - DOOR DETAIL PART-A
04DE-429

DOOR LEGEND							
SL.NO	CODE	DESCRIPTION	SWING	SIZE (LxH)	VISION PANEL	FIRE RATED	COUNT
01	D1	CASEN DOOR	OUTSIDE	1500X2100MM	NO	1 HR	1
02	D2	CASEN DOOR	INSIDE	1000X2100MM	NO	1 HR	1
03	D3	CASEN DOOR	INSIDE	900X2100MM	NO	1 HR	1
04	D4	CASEN DOOR	INSIDE	875X2100MM	NO	1 HR	1
05	D5	CASEN DOOR	INSIDE	700X2100MM	NO	1 HR	1
06	SW	SWING DOOR	INSIDE	750X915MM	NO	1 HR	1

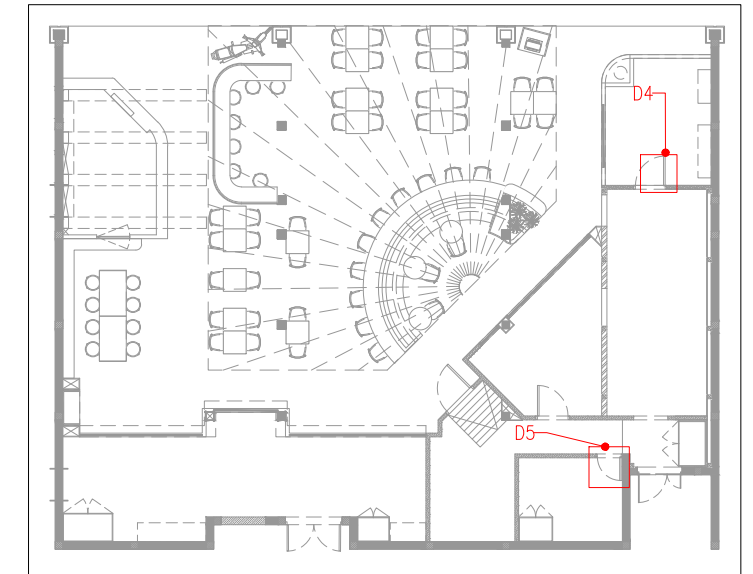
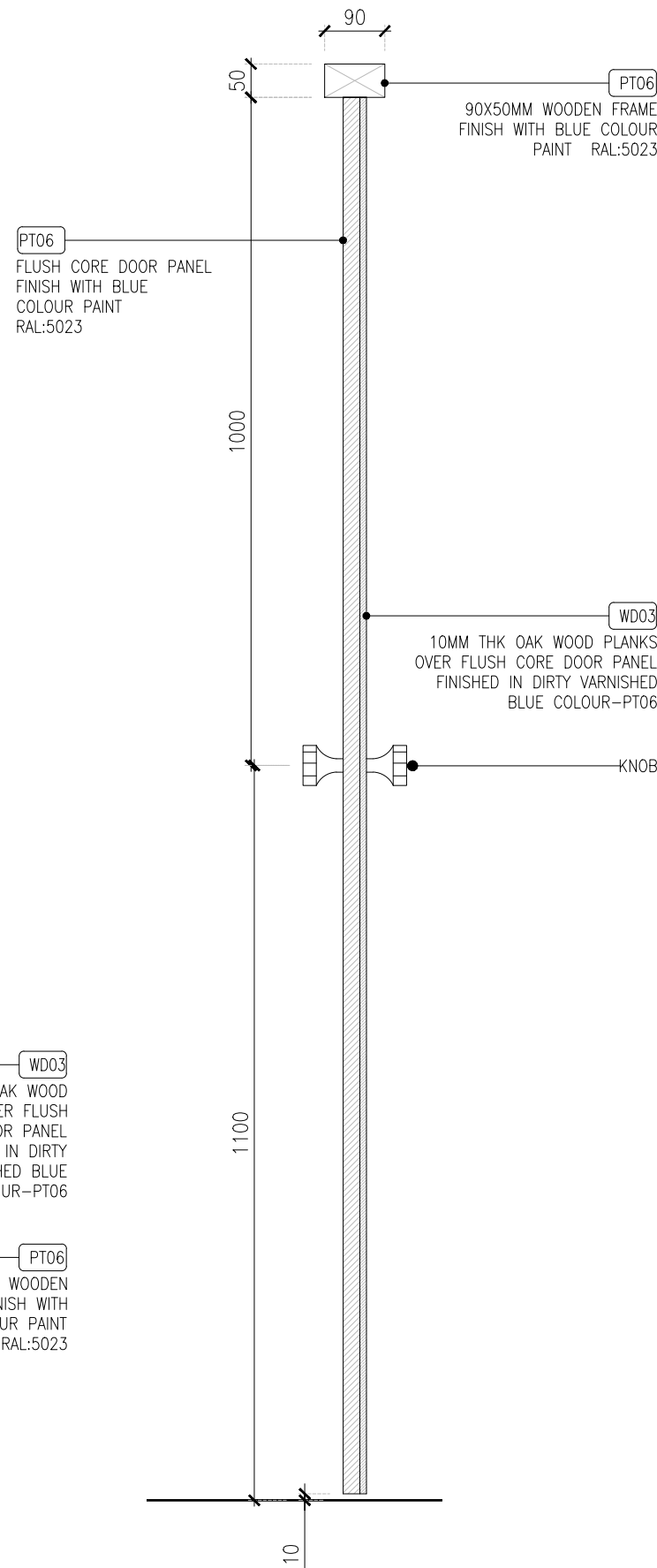
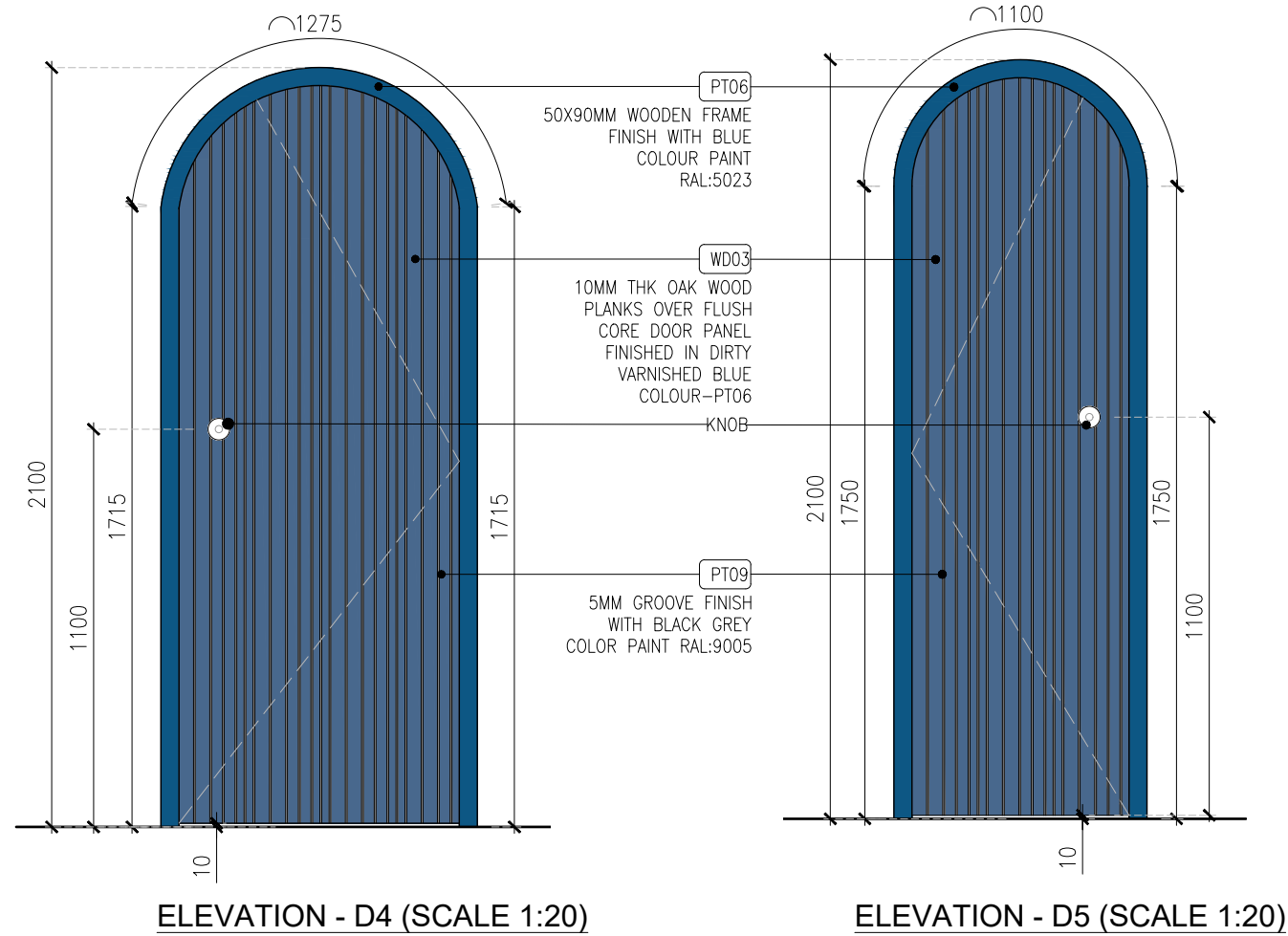
PROJECT
**DELHI STREET
L5 LEVEL
T1, IGI AIRPORT
DELHI**

DRAWING TITLE
J21 - DOOR DETAIL PART-A

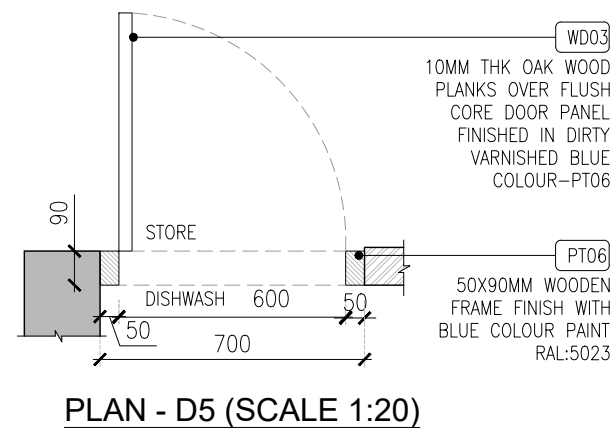
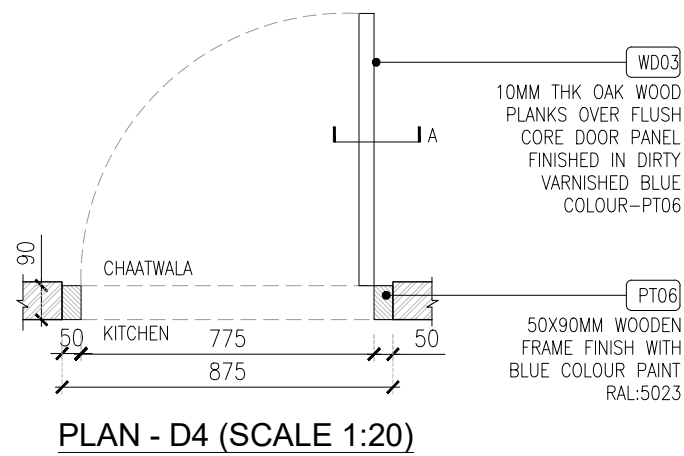
SCALE AS MENTIONED DATE 09.01.2024 DRAWN HOD A3 SHEET

STATUS
TENDER

ORG PROJECT NO DRAWING TYPE NUMBER REV
SSP 0000 04DE 429 T01



KEY PLAN



01 J21 - DOOR DETAIL PART-B

REV	DATE	DESCRIPTION	HOD	NM
T01	09.01.24	TENDER		
			DRN	CHK



PROJECT
DELHI STREET
L5 LEVEL
T1, IGI AIRPORT
DELHI

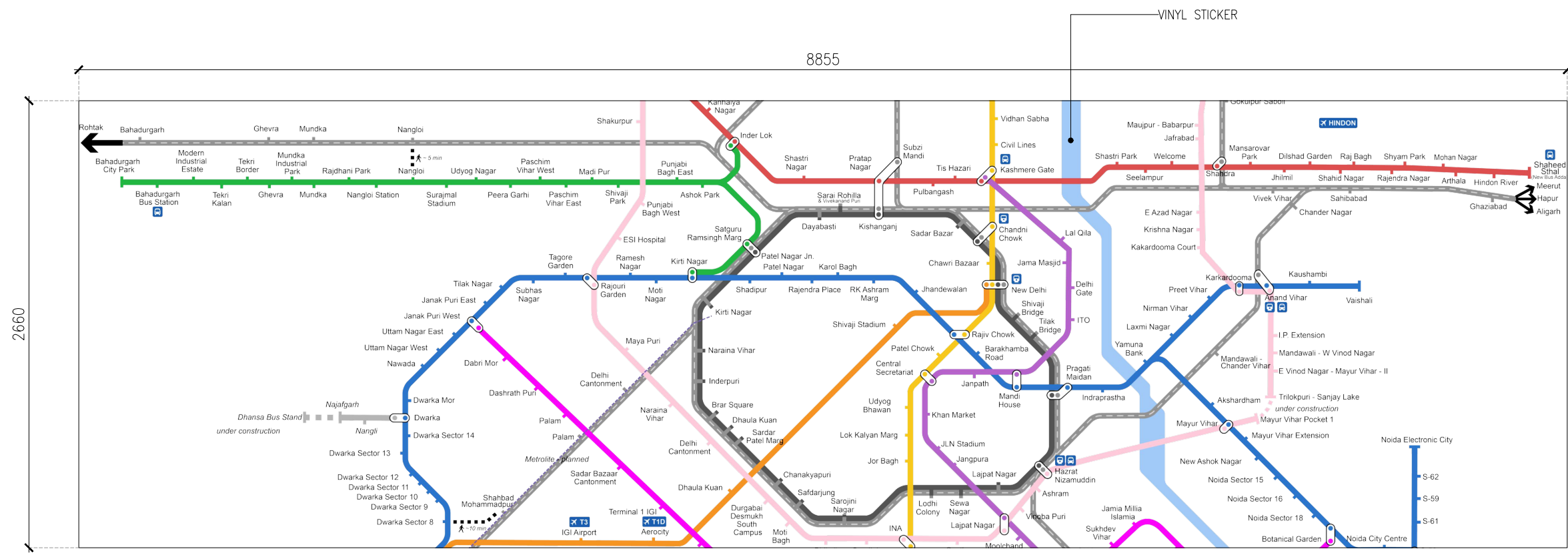
DRAWING TITLE
J21 - DOOR DETAIL PART-B

SCALE AS MENTIONED DATE 09.01.2024 DRAWN HOD A3 SHEET

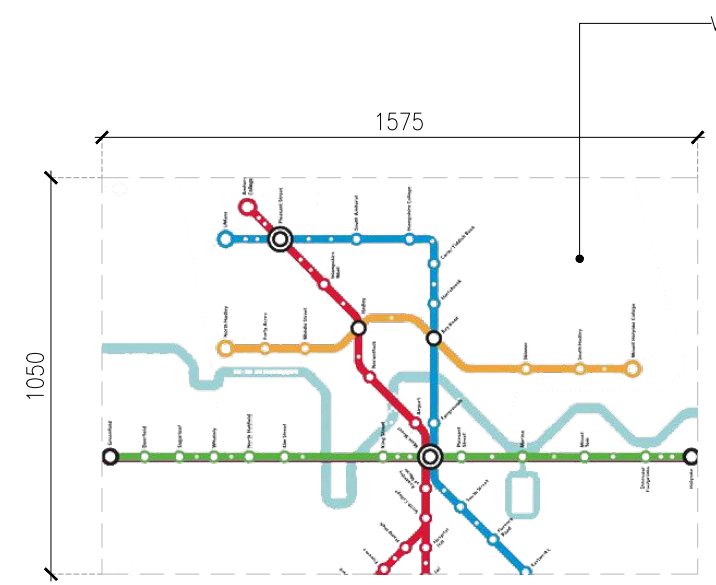
STATUS

TENDER

ORG	PROJECT NO	DRAWING TYPE	NUMBER	REV
SSP	0000	04DE	430	T01



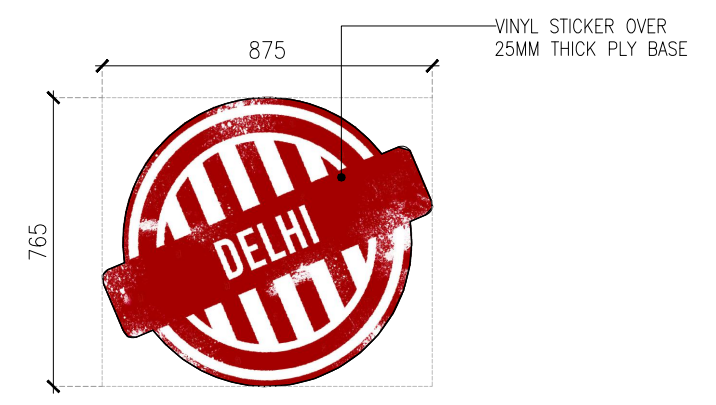
01 GR01
04DE-431 1:30



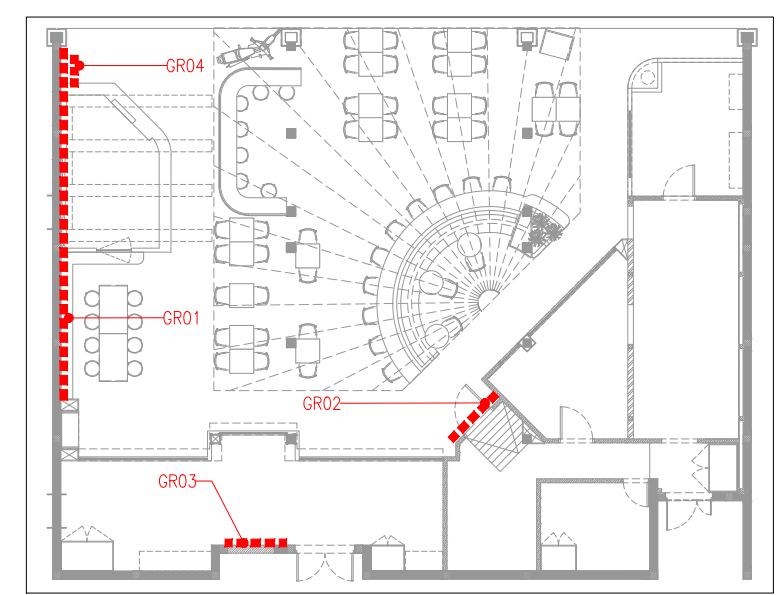
02 GR02
04DE-431 1:20



03 GR03
04DE-431 1:20



04 GR04
04DE-431 1:20



KEYPLAN

T01	09.01.24	TENDER	HOD	HOD
REV	DATE	DESCRIPTION	DRN	CHK



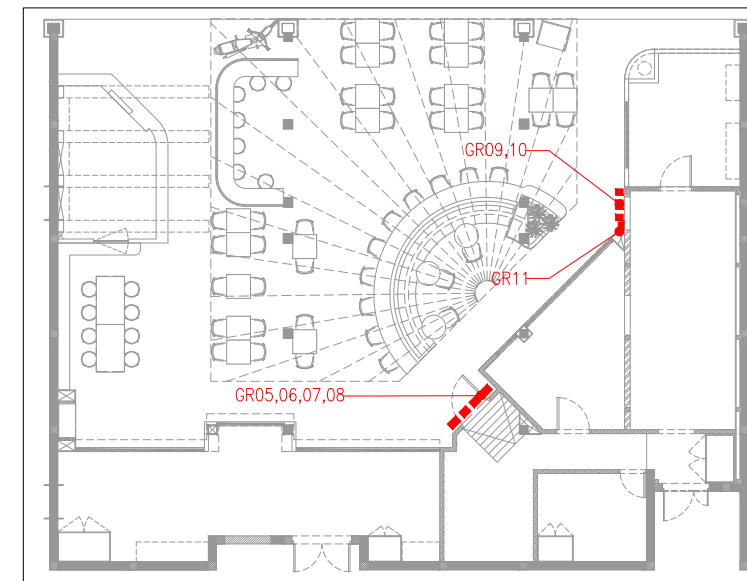
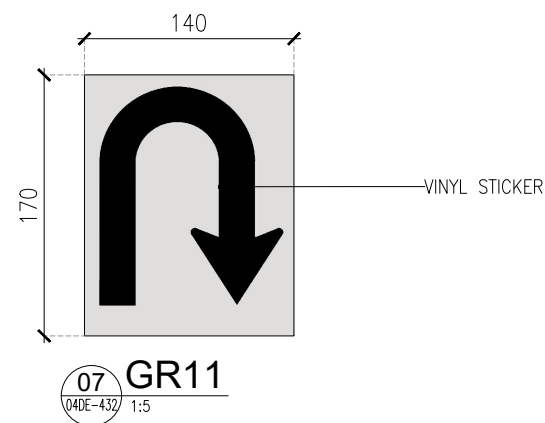
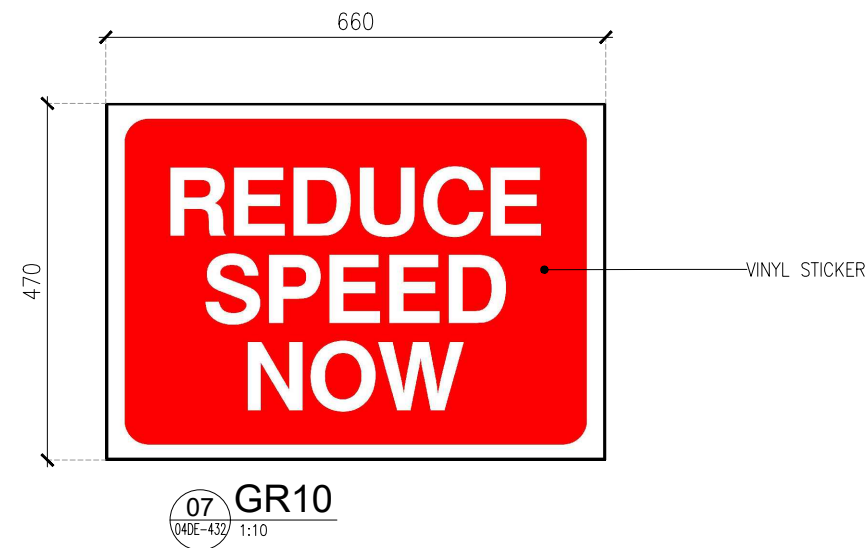
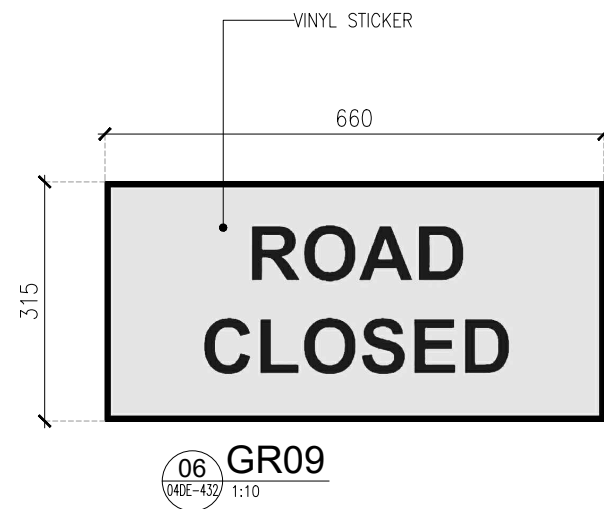
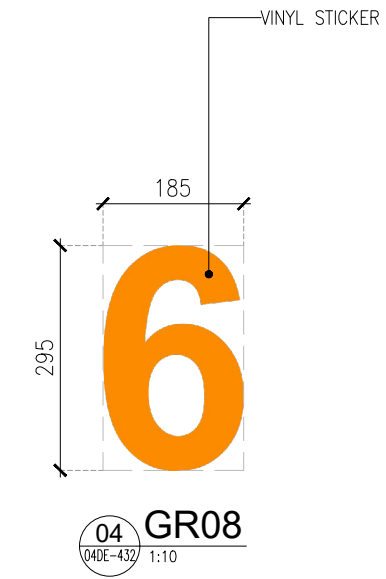
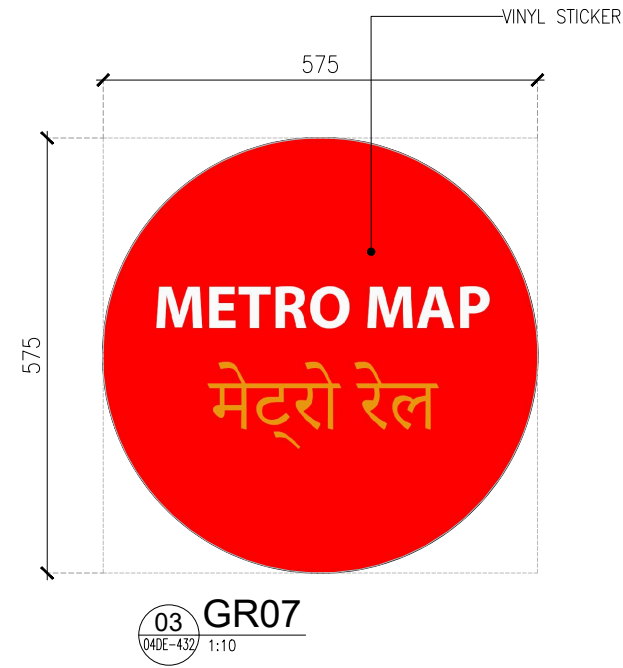
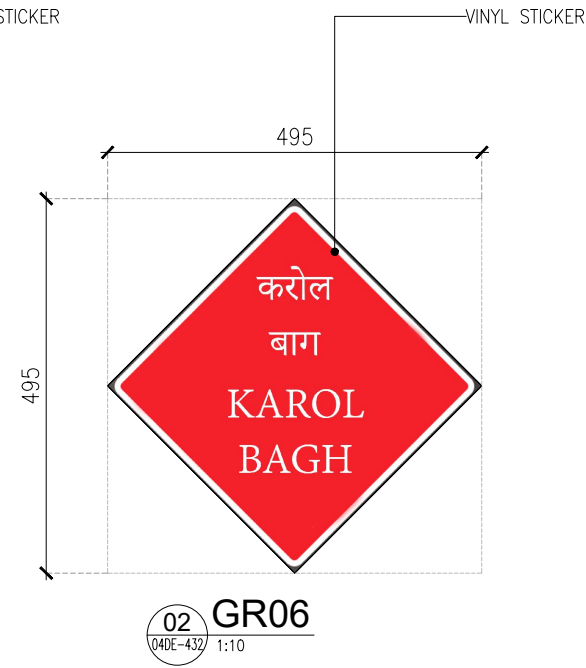
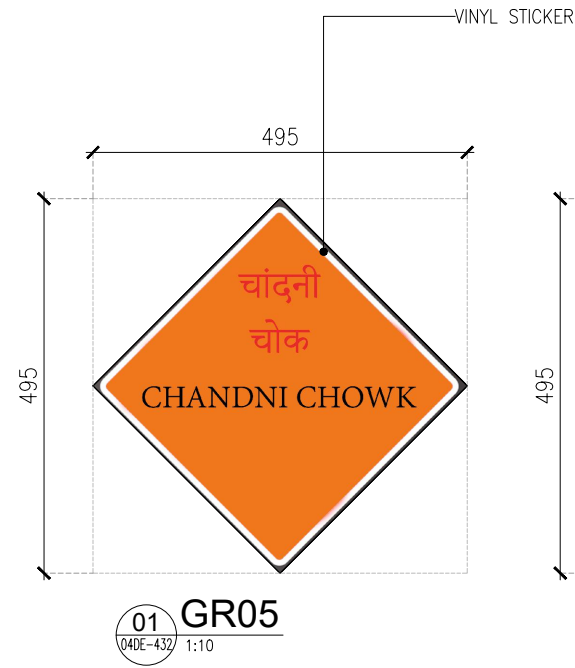
PROJECT
DILLI STREET
L5 LEVEL
T1 , IGI AIRPORT
DELHI

DRAWING TITLE
J22-GRAPHICS DETAIL PART-A

SCALE AS MENTIONED DATE 09.01.2024 DRAWN HOD A3 SHEET

STATUS
TENDER

ORG	PROJECT NO	DRAWING TYPE	NUMBER	REV
TFS	0000	04DE	431	T01



KEY PLAN

REV	DATE	DESCRIPTION	HOD	CHK
T01	09.01.24	TENDER	HOD	HOD



PROJECT
DILLI STREET
L5 LEVEL
T1 , IGI AIRPORT
DELHI

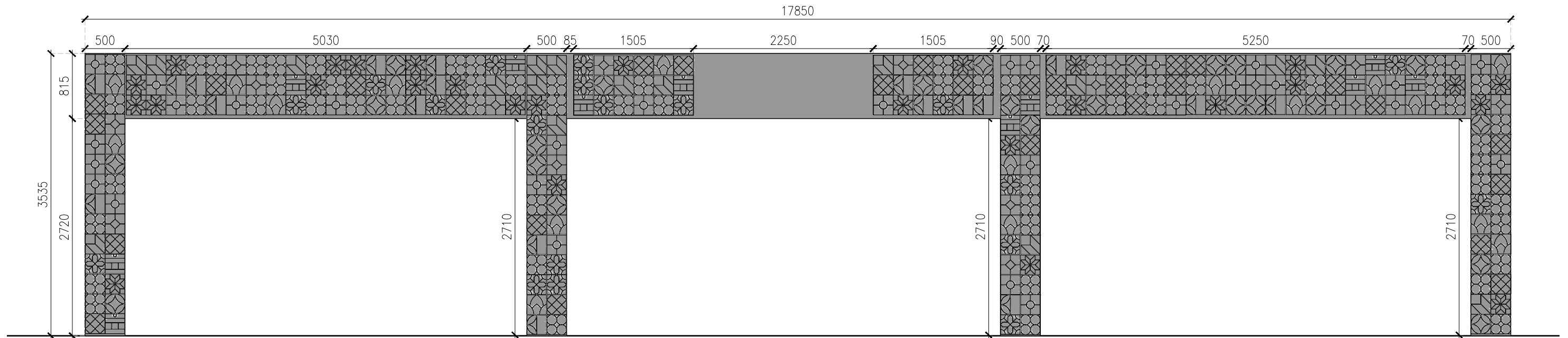
DRAWING TITLE
J22-Graphics DETAIL PART-B

SCALE AS MENTIONED DATE 09.01.2024 DRAWN HOD A3 SHEET

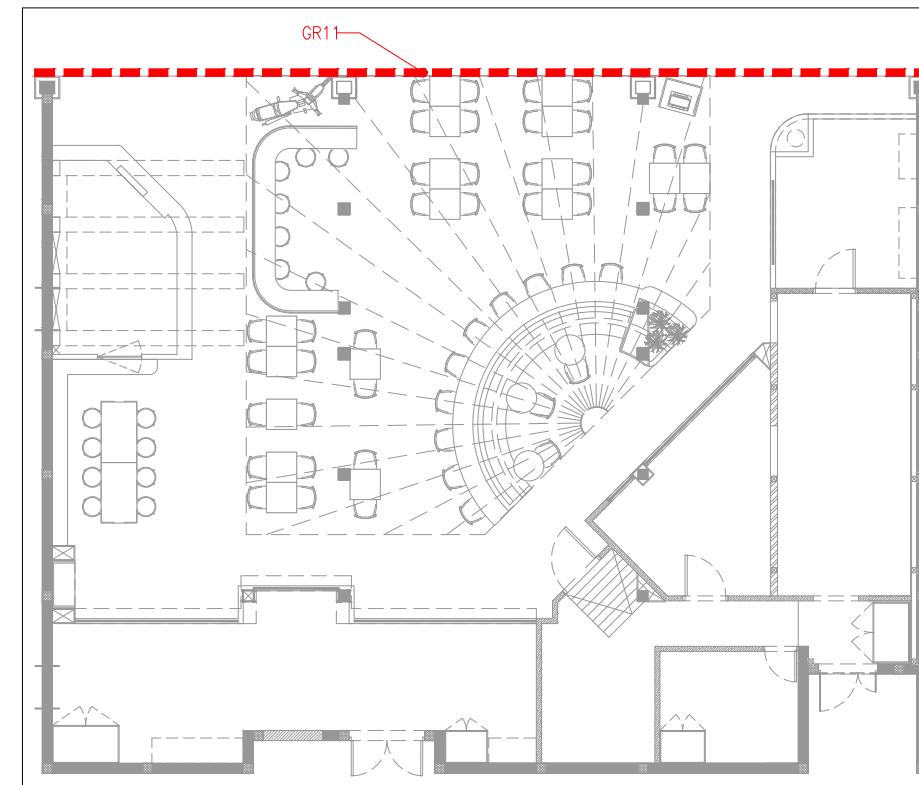
STATUS

TENDER

ORG	PROJECT NO	DRAWING TYPE	NUMBER	REV
TFS	0000	04DE	432	T01



01 GR11
04DE-432A 1:50



KEYPLAN

REV	DATE	DESCRIPTION	HOD	NM	DRN	CHK
T01	09.01.24	TENDER				



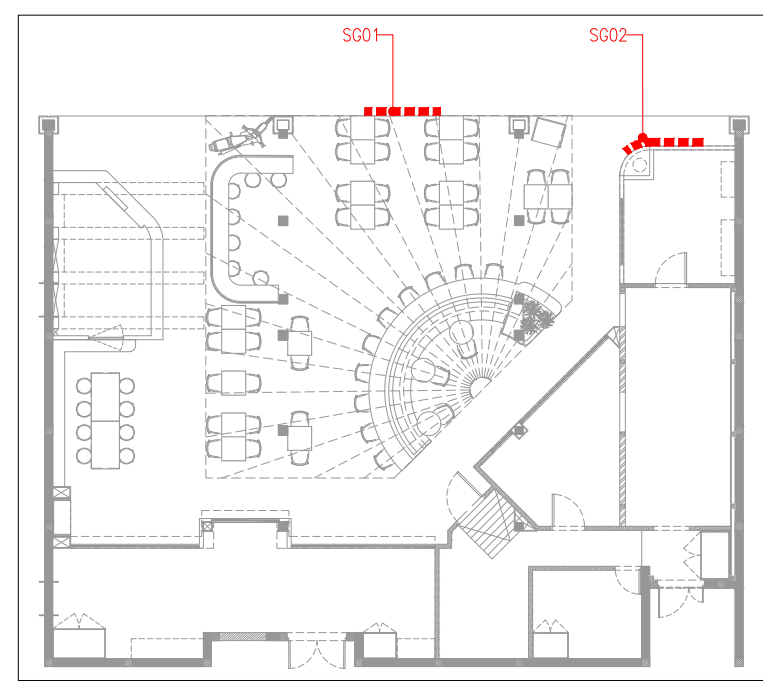
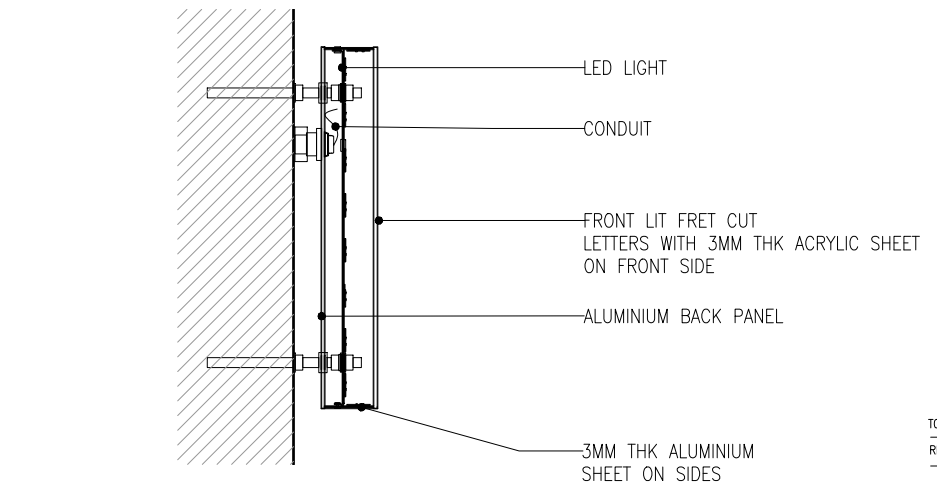
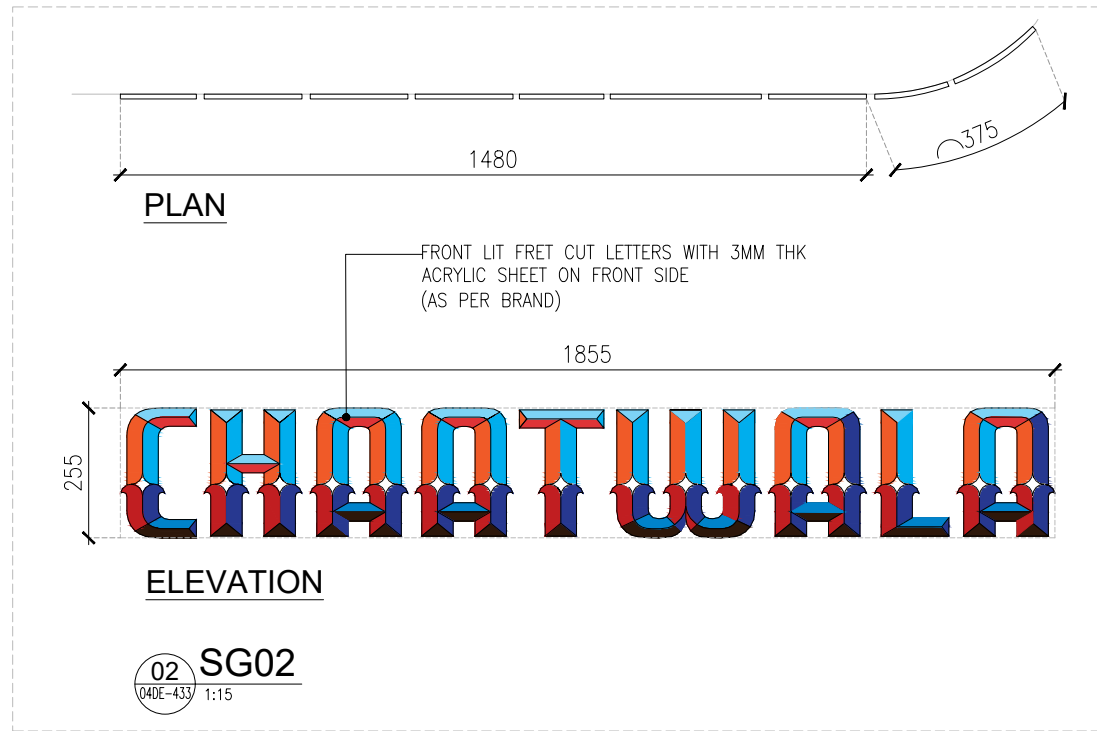
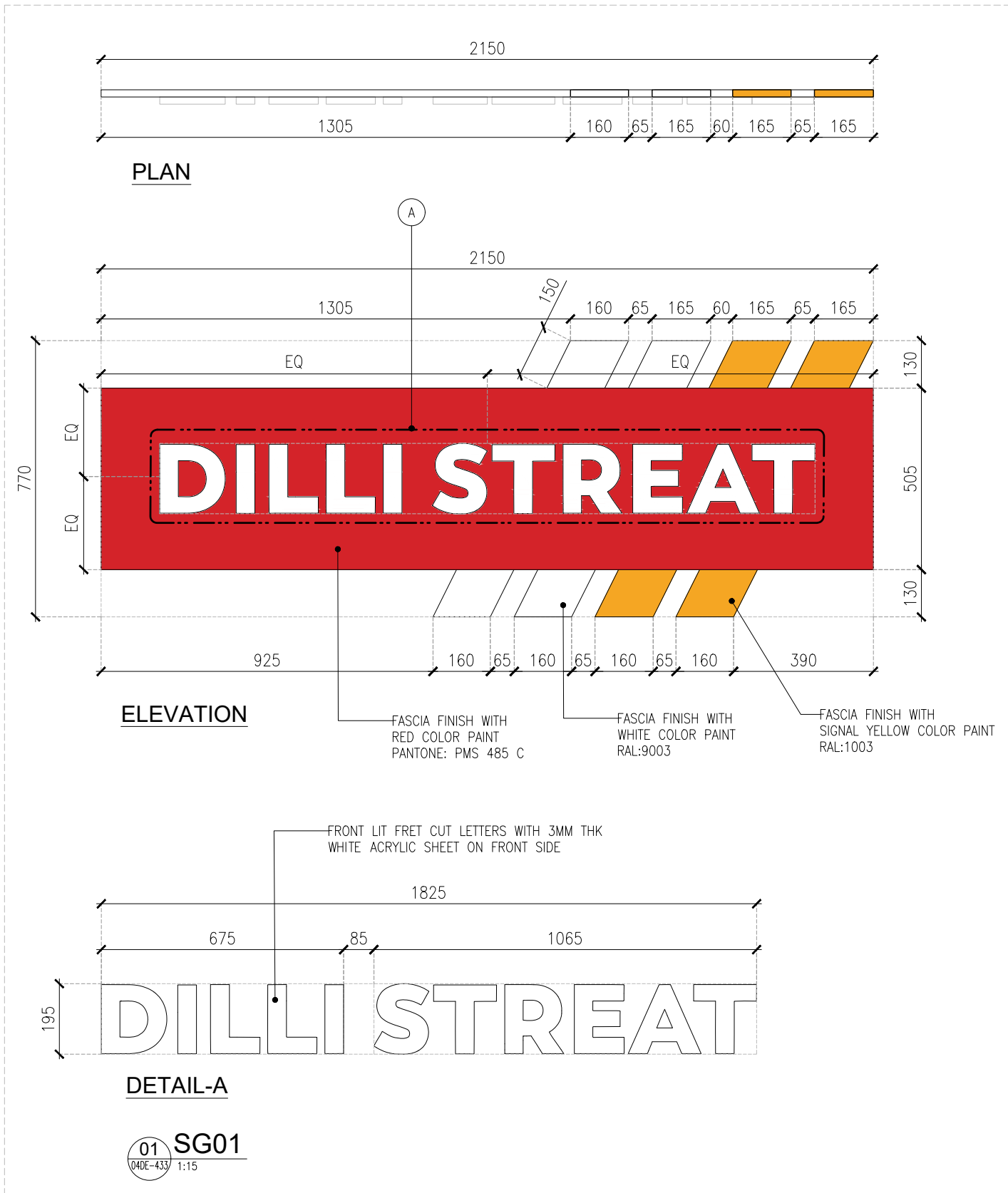
PROJECT
DILLI STREET
L5 LEVEL
T1 , IGI AIRPORT
DELHI

DRAWING TITLE
J22-GRAPHICS DETAIL PART-C

SCALE 1:50 DATE 09.01.2024 DRAWN HOD A3 SHEET

STATUS
TENDER

ORG	PROJECT NO	DRAWING TYPE	NUMBER	REV
SSP	0000	04DE	432A	T01



T01	09.01.24	TENDER	HOD	HOD
REV	DATE	DESCRIPTION	DRN	CHK



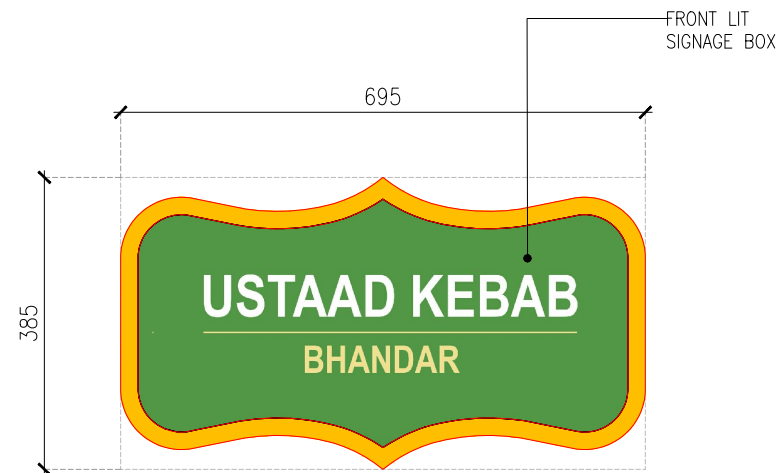
PROJECT
DILLI STREET
L5 LEVEL
T1, IGI AIRPORT
DELHI

DRAWING TITLE
J23-SIGNAGE DETAIL PART-A

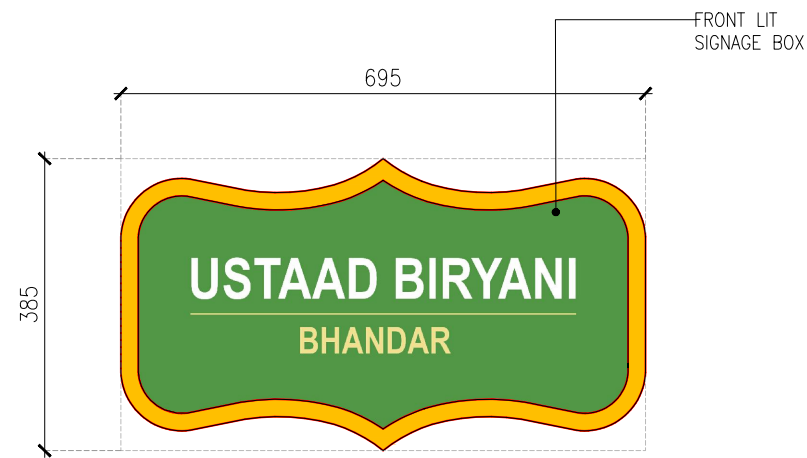
SCALE AS MENTIONED DATE 09.01.2024 DRAWN HOD A3 SHEET

STATUS
TENDER

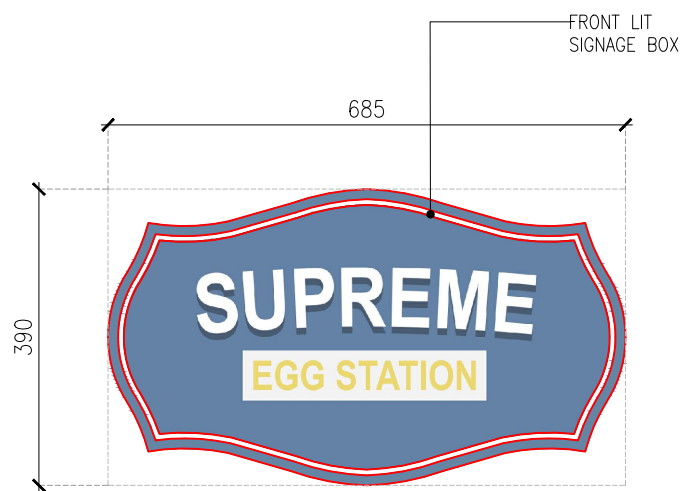
ORG	PROJECT NO	DRAWING TYPE	NUMBER	REV
TFS	0000	04DE	433	T01



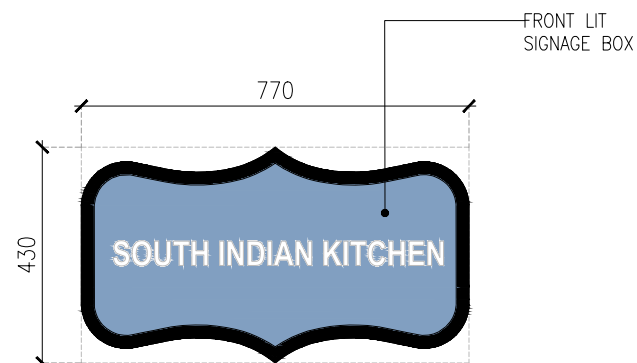
01 SG03
04DE-434 1:15



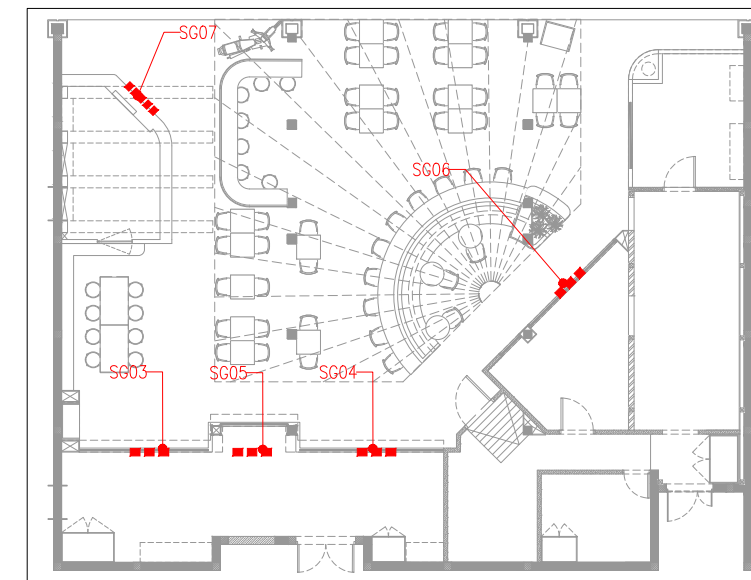
02 SG04
04DE-434 1:15



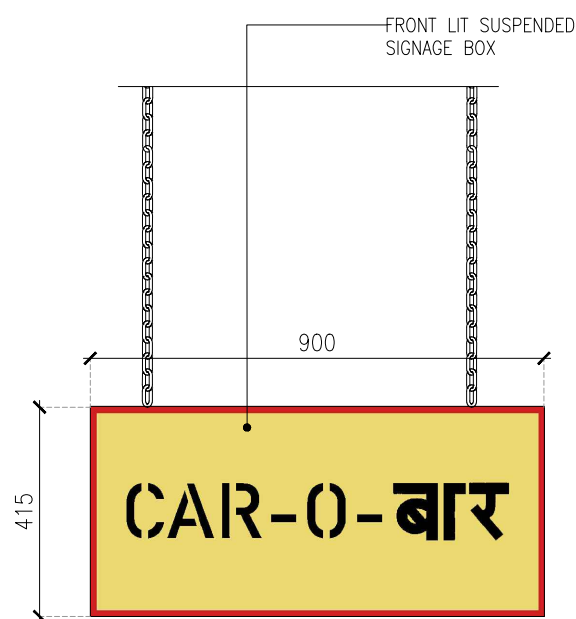
03 SG05
04DE-434 1:10



04 SG06
04DE-434 1:15



KEY PLAN



05 SG07
04DE-434 1:15

REV	DATE	DESCRIPTION	HOD	CHK
T01	09.01.24	TENDER	HOD	HOD



PROJECT
DILLI STREAT
L5 LEVEL
T1 , IGI AIRPORT
DELHI

DRAWING TITLE
J23-SIGNAGE DETAIL PART-B

SCALE AS MENTIONED DATE 09.01.2024 DRAWN HOD A3 SHEET

STATUS
TENDER

ORG	PROJECT NO	DRAWING TYPE	NUMBER	REV
TFS	0000	04DE	434	T01