
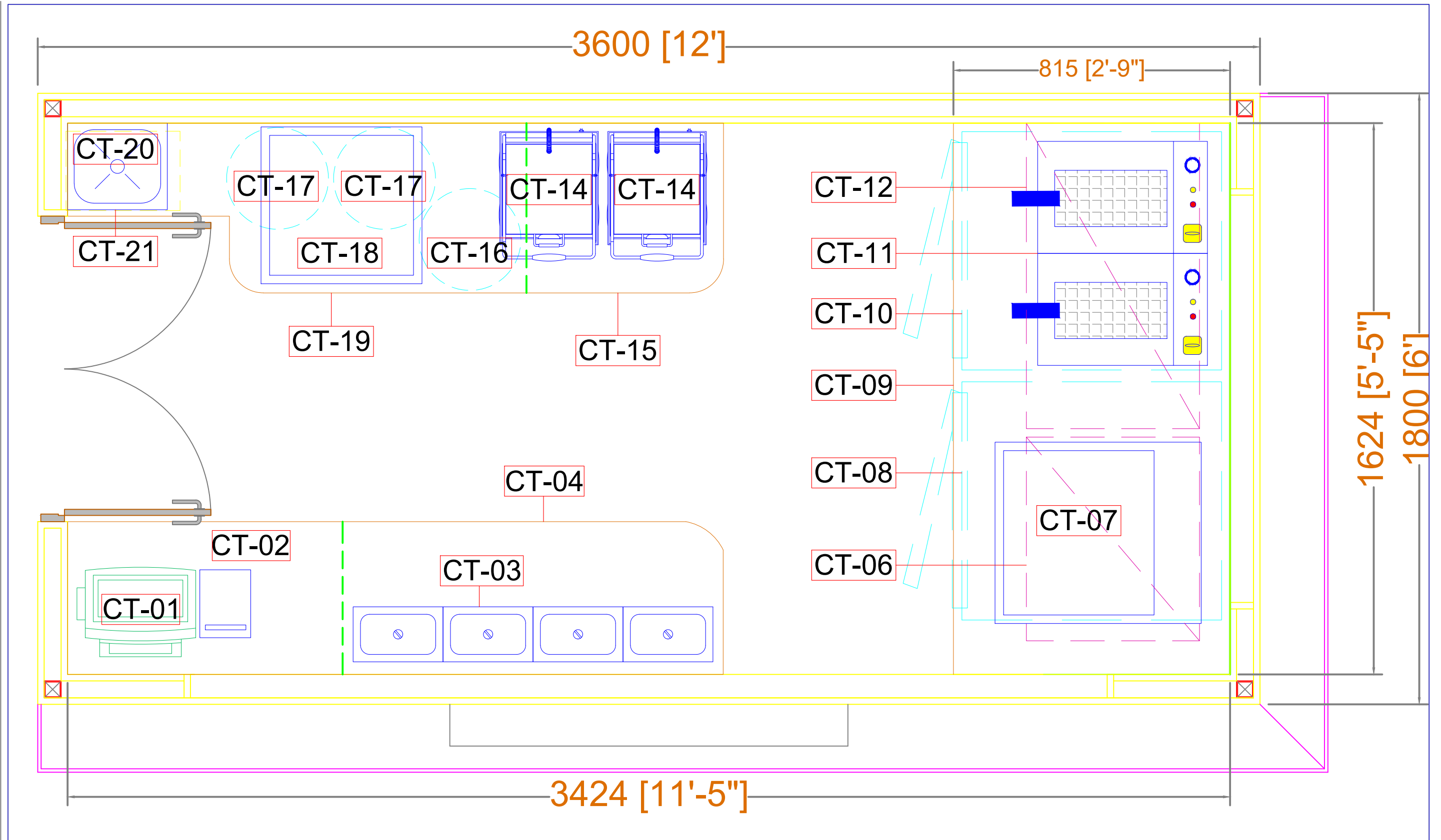

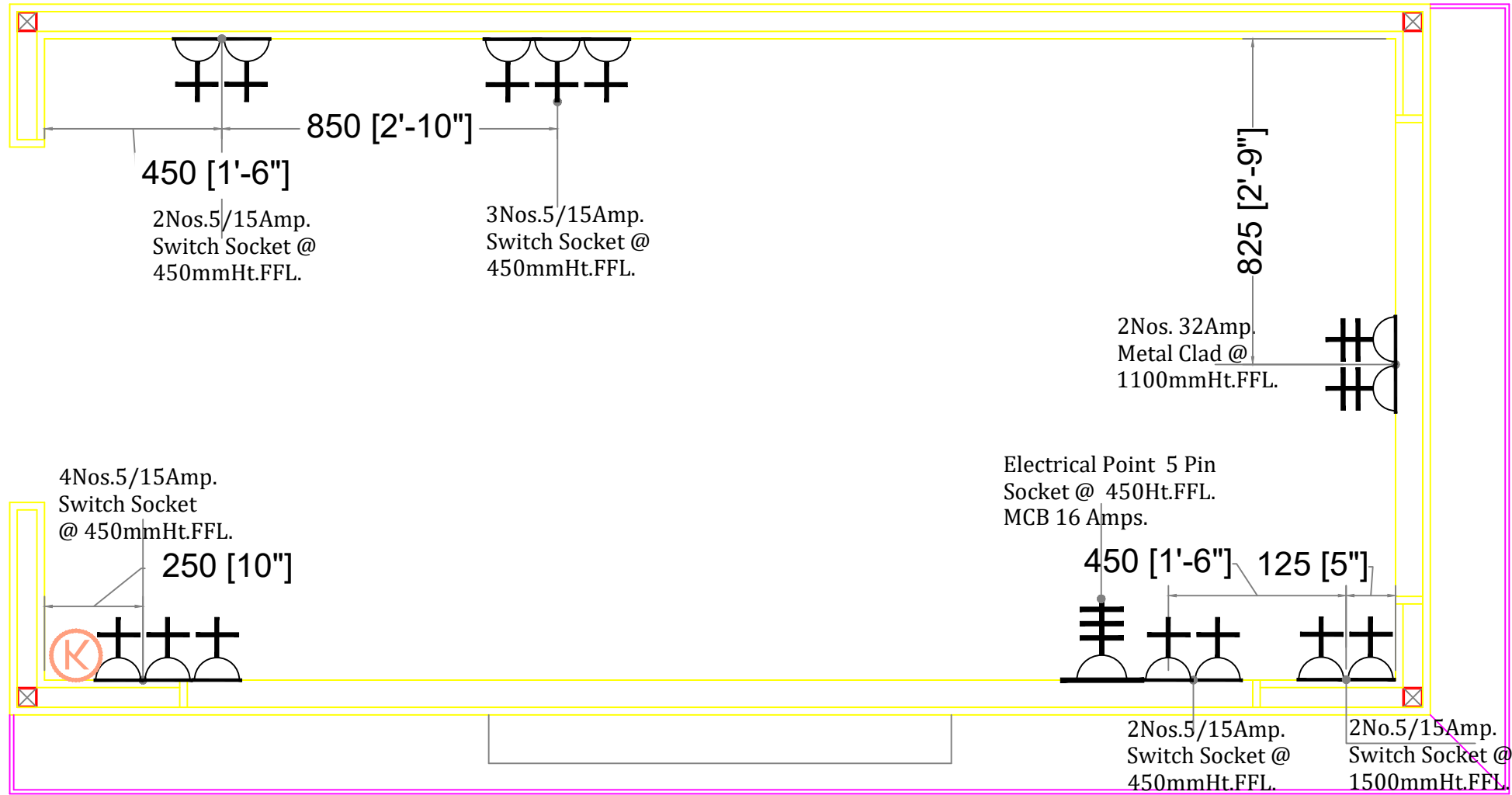


SHEET DETAIL					All Dimensions Are In MM					DRAWING NAME	SHEET NUMBER	REVISION REASON			GFC ISSUED DATE	 INHOUSE DESIGN MEXICAN CART @ AHMEDABAD
PROJECT	LOCATION	UNIT No.	DRAWN BY	START DATE	REVISION No.	DATE	REASON	REASON								
MEXICAN'N' BURGER	AHMEDABAD		SAEED	2023-10-05										2023-10-06		
					EQUIPMENT NAMING LAYOUT		1 OF 3									



SHEET DETAIL		All Dimensions Are In MM			DRAWING NAME	SHEET NUMBER	REVISION REASON		GFC ISSUED DATE	 INHOUSE DESIGN MEXICAN CART @ AHMEDABAD
PROJECT	LOCATION	UNIT No.	DRAWN BY	START DATE			REVISION No.	DATE		
MEXICAN'N' BURGER	AHMEDABAD		SAEED	2023-10-05	EQUIPMENT NUMBERING LAYOUT	02 OF 03			2023-10-06	



ELECTRICAL LEGEND	
	5 AMP PLUG POINT
	5/15 AMP POWER PLUG POINT (MODULAR SWITCH & SOCKET)
	20/32 AMP METAL CLAD WITH 20 AMP SP MCB & PLUG TOP
	3 PHASE SUPPLY
	COMPUTER POINT
	TELEPHONE POINT
	DATA CABLE POINT FOR KOT PRINTER
	INTERNET

SHEET DETAIL					DRAWING NAME	SHEET NUMBER	REVISION REASON			GFC ISSUED DATE	 INHOUSE DESIGN MEXICAN CART @ AHMEDABAD
PROJECT	LOCATION	UNIT No.	DRAWN BY	START DATE			REVISION No.	DATE	REASON		
MEXICAN' N' BURGER	AHMEDABAD		SAEED	2023-10-05	ELECTRICAL LAYOUT	03 OF 03				2023-10-06	
			SCALE								
			NTS								