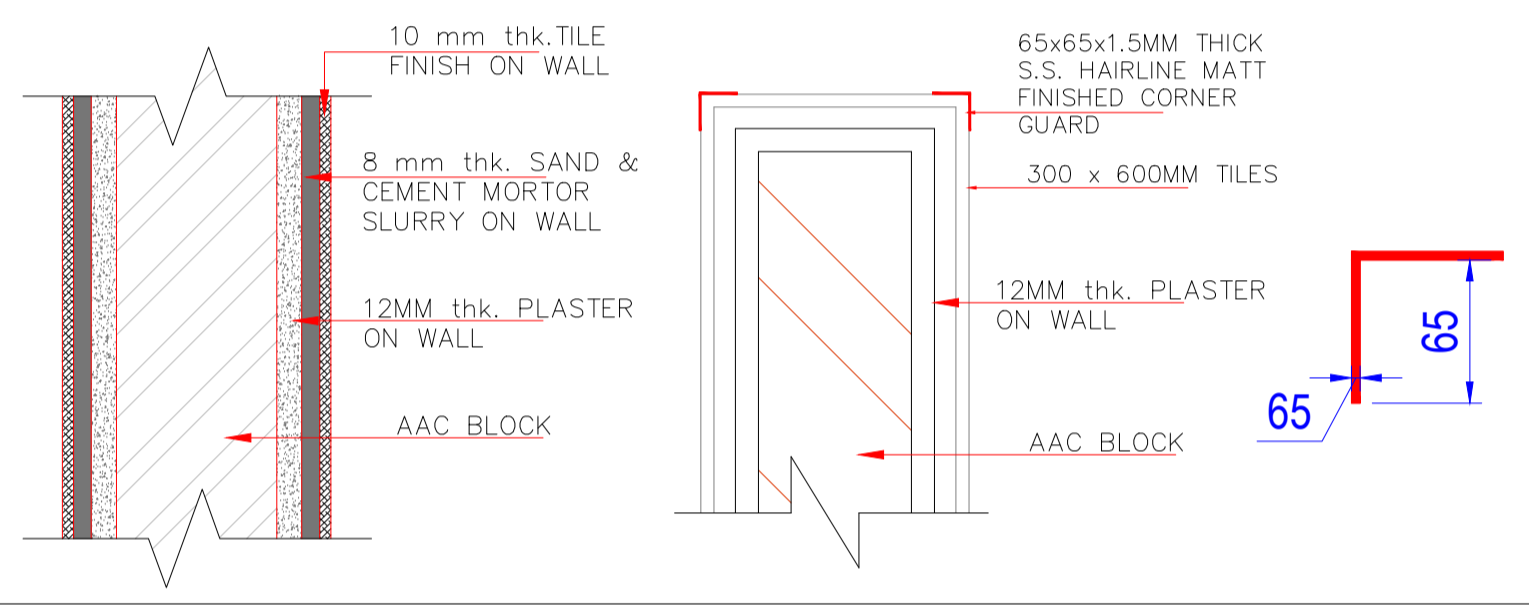


LEGEND		
Sr. No.	PARTICULARS	SYMBOL
1	EXISTING WALL.	
2	100MM THICK NEW WALLS TO BE CONSTRUCTED WITH AAC BLOCKS (Autoclave aerated concrete blocks), FULL HT. UP-TO MOTHER SLAB.	
3	100MM THICK NEW WALLS TO BE CONSTRUCTED WITH AAC BLOCKS (Autoclave aerated concrete blocks), UP-TO 912MM HT.FROM F.F.L. TILES ONLY FROM INSIDE & FOR EXTERIOR FINISHED REFER ID.	
4	50MM THICK FINISH BUNDTH WALL UP-TO 25MM HT. FROM F.F.L.	
5	BRICK WALL WITH LINTEL WORK ABOVE THE DOOR FRAME. OBTTOM OF THE LINTEL LEVEL AT 2450MM HT. FROM F.F.L.	

EACH 1000MM C.T.C. WITH 2 Nos. OF TOR BARS & 6MM Ø LINKS AT 300MM C.T.C. IN CEMENT CONCRETE MIX FOR ALL THE BLOCK WALL CONSTRUCTION.



KEY Plan

Node L4 Departure level

GENERAL NOTES:

- THIS DRAWING CAN BE SCALED AS PER THE PAPER SIZE
- ALL DIMENSIONS ARE IN MM UNLESS SPECIFIED
- REFER TO BOQ FOR DETAILED SPECIFICATIONS
- IN CASE OF ANY DISCREPANCY IN THE DRAWING, PLEASE INFORM THE AURA DEZYNE TEAM PRIOR TO EXECUTION.

REV	DESCRIPTION	DATE	DGN	DRN	CHK	APP
17	REVISED LAYOUT	18.12.2023				
16	REVISED LAYOUT	16.12.2023				
15	REVISED LAYOUT	14.12.2023				
14	REVISED LAYOUT	11.12.2023				
13	REVISED LAYOUT	06.12.2023				
12	REVISED LAYOUT	06.12.2023				
11	REVISED LAYOUT	04.12.2023				
10	REVISED LAYOUT	30.11.2023				
09	REVISED LAYOUT	28.11.2023				
08	REVISED LAYOUT	25.11.2023				
07	REVISED LAYOUT	24.11.2023				
06	REVISED LAYOUT	23.11.2023				
05	REVISED LAYOUT	21.11.2023				
04	REVISED LAYOUT	20.11.2023				
03	REVISED LAYOUT	18.11.2023				
02	REVISED LAYOUT	10.11.2023				
01	REVISED LAYOUT	09.11.2023				

PURPOSE OF ISSUE:

CIVIL LAYOUT

CLIENT:



Travel Food Services Pvt Ltd
 Shiv Sagar Estate, A-Block, 1st floor A.B.
 Road Worli, Mumbai - 400 018
 INDIA.
 www.travelfoodservices.com

MEP CONSULTANT:

CONCEPT DESIGNER:



Aura Dezyne
 C-45, North Bombay C.H.S.,
 Juhu, Mumbai - 400049.
 Tel:- +91 22 26127475

PROJECT:
DIAL PHASE 3A EXPANSION

SHEET TITLE:
CIVIL LAYOUT FOOD HALL OF STORE 26 AT L4 LEVEL

NAME	DATE	SIGN
DRAWN BY FEROZ		
CHECKED BY FEROZ		
APPROVED BY		
PROJECT No. Phase 3A Expansion		SHEET SIZE A1
ISSUE DATE 05-Oct-2023	SCALE	1 : 45
SHEET No.		REV. No.