

# TRAVEL FOOD SERVICES

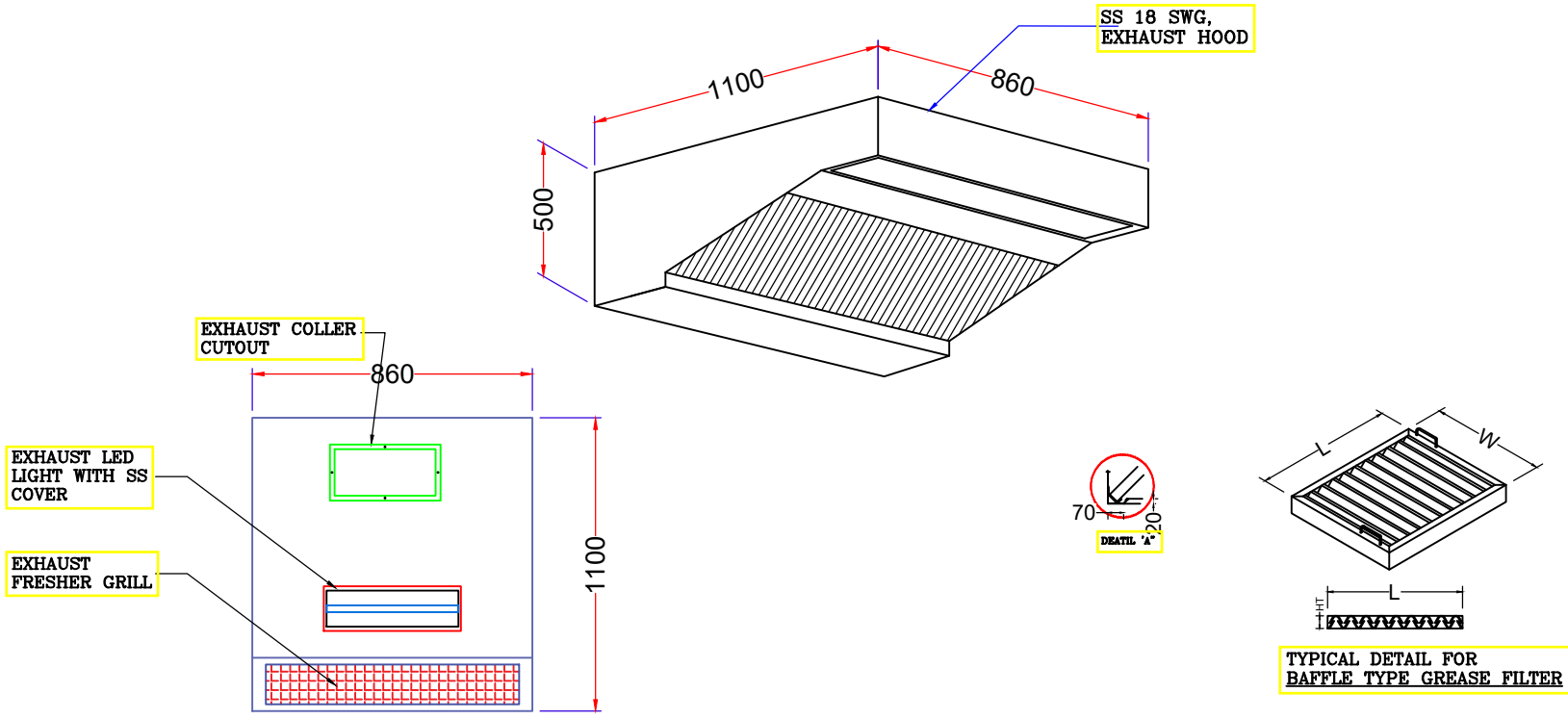
Eq.No : 01

**EXHAUST HOOD WITH BAFFLE FILTERS & FIRE SUPPRESSION SYSTEM , FRESHER GRILL & LED LIGHTS .**

Over All Size:- 860 x 1100 x 500

Qty:- 1No.

**DRAWING :**     DIMENSIONS ARE IN MM



TITLE :	EXHAUST HOOD WITH BAFFLE FILTERS & FIRE SUPPRESSION SYSTEM , FRESHER GRILL & LED LIGHTS .	REV. NO :	---	DESIGN BY	Sign
		DATE :	11-03-2024	DWN. BY : FAHEEM	
PROJECT :	SWAMY SNACK BAR @ DOMESTIC ARRIVAL KERB SIDE -TRIVANDRUM	SCALE :	N.T.S.	CHKD BY: SAEED K.	
				APRVD BY:	



# TRAVEL FOOD SERVICES

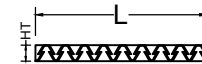
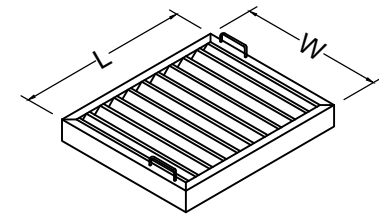
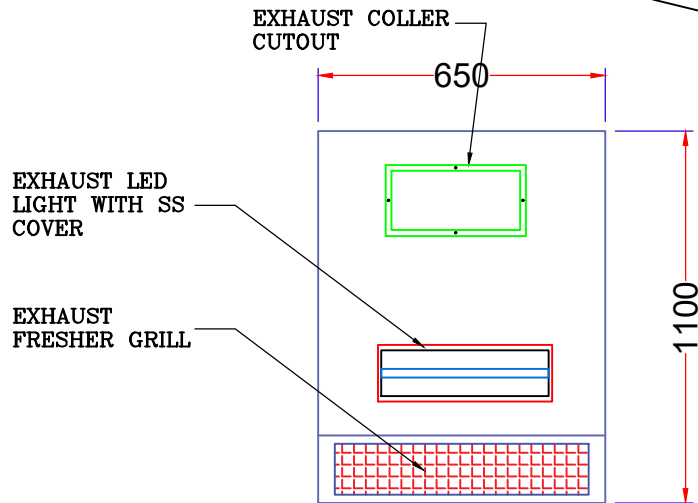
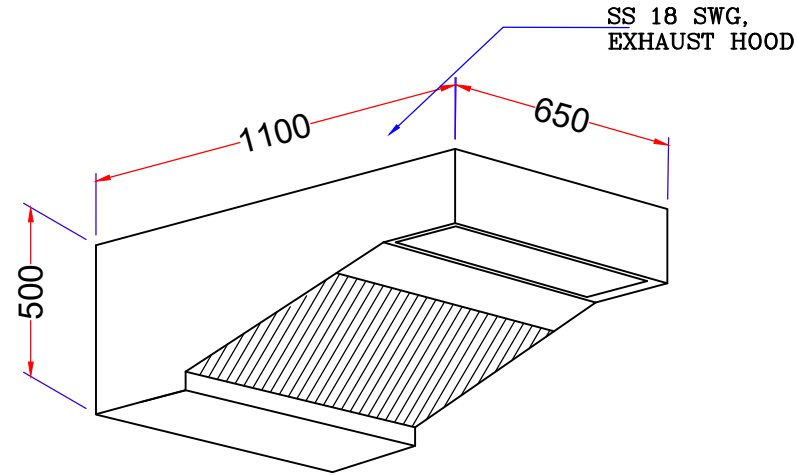
Eq.No : 02

**EXHAUST HOOD WITH BAFFLE FILTERS & FIRE SUPPRESSION SYSTEM , FRESHER GRILL & LED LIGHTS .**

Over All Size:- 650 x 1100 x 500

Qty:- 1No.

**DRAWING :**     DIMENSIONS ARE IN MM



**TYPICAL DETAIL FOR BAFFLE TYPE GREASE FILTER**

<b>TITLE :</b>	<b>EXHAUST HOOD WITH BAFFLE FILTERS &amp; FIRE SUPPRESSION SYSTEM , FRESHER GRILL &amp; LED LIGHTS .</b>	REV. NO :	---	DESIGN BY	Sign
		DATE :	11-03-2024	DWN. BY : FAHEEM	
<b>PROJECT :</b>	<b>SWAMY SNACK BAR @ DOMESTIC ARRIVAL KERB SIDE -TRIVANDRUM</b>	SCALE :	N.T.S.	CHKD BY: SAEED K.	
				APRVD BY:	

