

TRAVEL FOOD SERVICES

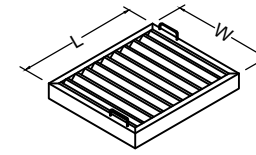
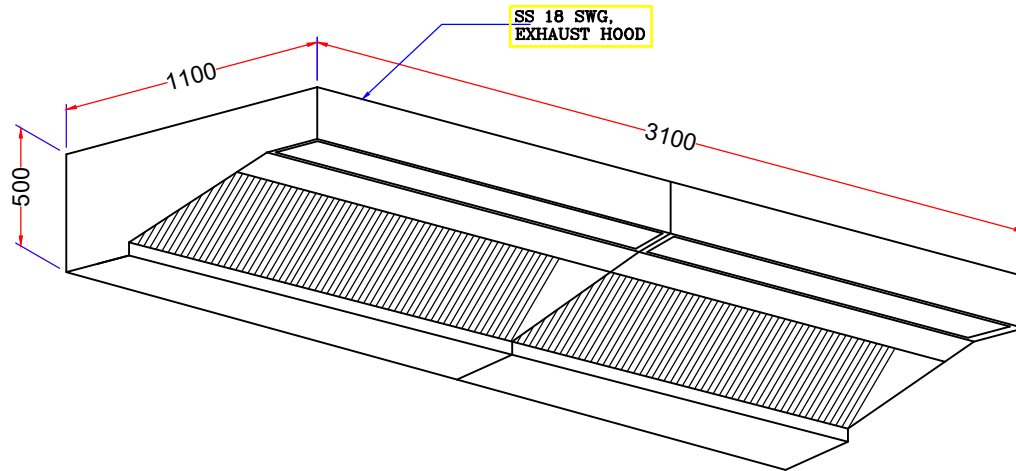
Eq.No : 01

EXHAUST HOOD WITH BAFFLE FILTERS & FIRE SUPPRESSION SYSTEM , FRESHER GRILL & LED LIGHTS .

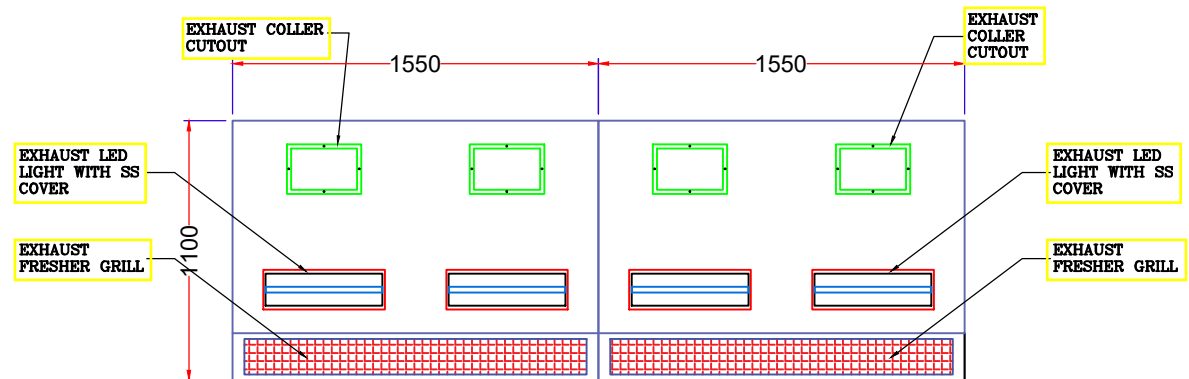
Over All Size:- 3100 x 1100 x 500 (Made in 2 parts)


Qty:- 1No.

DRAWING : DIMENSIONS ARE IN MM



TYPICAL DETAIL FOR BAFFLE TYPE GREASE FILTER



| | | | | | | |
|------------------|---|------------------|------------|-------------------|----------|---|
| TITLE : | EXHAUST HOOD WITH BAFFLE FILTERS & FIRE SUPPRESSION SYSTEM , FRESHER GRILL & LED LIGHTS . | REV. NO : | --- | DESIGN BY | Sign |  Travel Food Services |
| | | DATE : | 11-03-2024 | DWN. BY : | FAHEEM | |
| PROJECT : | Malabar Tiffins @PINNACLE - INTERNATIONAL - SHA | SCALE : | N.T.S. | CHKD BY : | SAEED K. | |
| | | | | APRVD BY : | | |

TRAVEL FOOD SERVICES

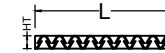
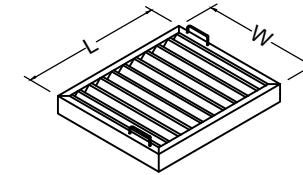
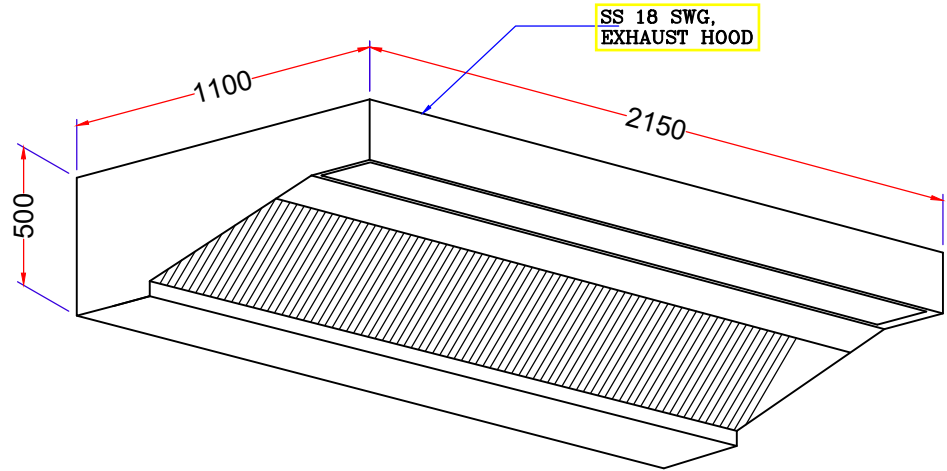
Eq.No : 02

EXHAUST HOOD WITH BAFFLE FILTERS & FIRE SUPPRESSION SYSTEM , FRESHER GRILL & LED LIGHTS .

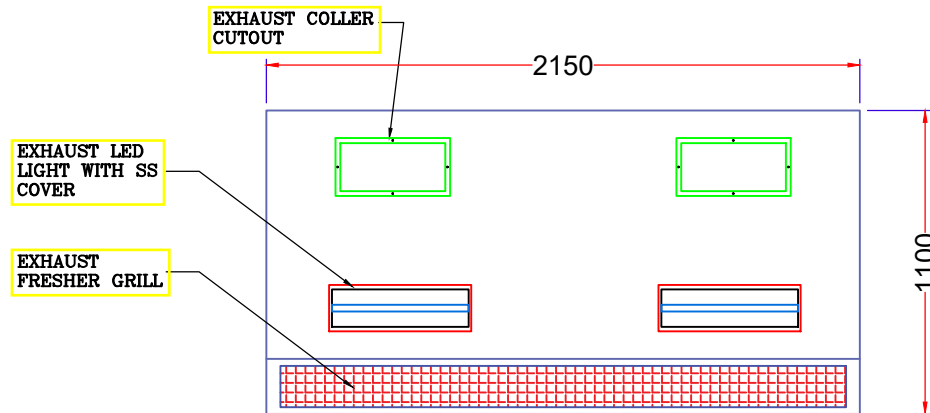
Over All Size:- 2150 x 1100 x 500

Qty:- 1No.

DRAWING : DIMENSIONS ARE IN MM



TYPICAL DETAIL FOR BAFFLE TYPE GREASE FILTER



| | | | | | |
|------------------|--|------------------|------------|-------------------|----------|
| TITLE : | EXHAUST HOOD WITH BAFFLE FILTERS & FIRE SUPPRESSION SYSTEM , FRESHER GRILL & LED LIGHTS . | REV. NO : | --- | DESIGN BY | Sign |
| | | DATE : | 11-03-2024 | DWN. BY : | FAHEEM |
| | | SCALE : | N.T.S. | CHKD BY : | SAEED K. |
| PROJECT : | Malabar Tiffins @PINNACLE - INTERNATIONAL - SHA | | | APRVD BY : | |



Travel Food Services