



Travel Food Services

TRAVEL FOOD SERVICES

Shiv Sagar Estate, A Block, 1st Floor, Dr
Annie Besant Rd, Worli, Mumbai,
Maharashtra 400018

TITLE

COLD STORAGE
&
SERVICE

PROJECT

LGBI AIRPORT
@
GUWAHATI

COLD STORAGE & SERVICE LAYOUT
EQUIPMENT SCHEDULE
GUWAHATI

DATE
 Rev Date-R1
 Rev Date-R2

05-May-23
19-Jun-23
09-Apr-24

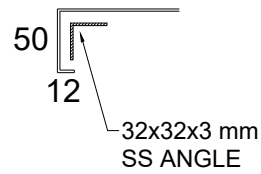
MAIN KITCHEN					
SR.No.	Eq.No.	DESCRIPTION	BRAND/MODEL NO	DIMENSIONS(L x W x HT)	QTY
MAIN KITCHEN					
1	CK-01	4" DEEP DISH LANDING TABLE W/GLASS RACK	FABRICATED	1400 x 650 x 850 + 500+125 O/S	1
2	CK-01a	DUST BIN	SOE	LOCAL	1
3	CK-01b	GREASE TRAP	FABRICATED	500 x 400 x 375Ht.	1
4	CK-02	LOADING TABLE WITH SINK ON (RHS)L & STRAINER	FABRICATED	900 x 675 x 850 + 150SPL	1
5	CK-03	PRE RINSE SPARY UNIT - DECK MOUNTED	BAKERS SHOPPEE / EQUIVALENT	STD	1
6	CK-04	HOOD TYPE DISH WASH MACHINE	WINTERHALTER / P50	735 x 750 x 1480Ht.	1
7	CK-05	UNLOADING TABLE 2 U/S	FABRICATED	1350 x 675 x 850+150SPL	1
8	CK-06	WALL SHELF	FABRICATED	1100 x 300	1
9	CK-08	UNDER COUNTER GLASS WASHER	IFB-Protech 411 Plus /ELECTROLUX 402116 (EGWSIG)	540 x 440x 715Ht.	1
10	CK-10	POT WASH SINK PERFORETED STRAINER AND BALL VALVE	FABRICATED	750 x 625 x 850+150Ht.	1
11	CK-10a	GREASE TRAP	FABRICATED	500 x 400 x 375Ht.	1
12	CK-11	POT RACK 4 Nos SHELF W/CASTOR WHEEL	FABRICATED	1100 x 550 x 1650Ht.	1
13	CK-12	CLEAN DISH RACK (4 SHELF)	FABRICATED	900 x 450 x 1650Ht.	4
14	CK-14	WORK TABLE W/ 2 U/S & 2 O/S	FABRICATED	950 x 700 x 850+450+300	1
15	CK-15	WORK TABLE HALFSID 2 U/S & HALFSIDE CRTOSS SUPPORT FOR USED OIL STORAGE	FABRICATED	1300 x 600 x 850Ht.	1
16	CK-27a	GREASE TRAP	FABRICATED	400 x 335 x 350Ht.	1
17	CK-32	FOOD PROCESSOR	ROBOT COUPE-R301 ULTRA Robot Coupe R 301 Ultra	305 x 365 x 300Ht.	1
18	CK-33	WALL SHELF	FABRICATED	750 x 300 W	2
19	CK-37	FOOT OPERATED HAND WASH SINK WITH HOT & COLD WATER CONNECTION & WITH TISSUE HOLDER & SOAP DISPENSER PROVISION & OPEN FROM BACK SIDE	FABRICATED	500 x 475 x 850+450SPL	1

MAIN KITCHEN					
20	CK-42	ONION, POTATO & COCONUT STORAGE TROLLEY	FABRICATED	900 x 450 x 1350Ht.	1
21	CK-43	3 TIER DIRTY DISH TROLLEY WITH HANDLE (3 SIDE COVER & 2 FRONT DOORS)	FABRICATED	925 x 700 x 850Ht.	2
22	CK-46	SINGLE SINK (RHS) TABLE CROSS SUPPORT WITH OHS	FABRICATED	1075 x 600 x 850+(150SPL)+450+300	1
Total Kw-Main Kitchen - A					
SOE					
1		GARBAGE BINS 60Ltrs.Cap.-FRONTIER PEDAL OPERATED WHEEL	SOE	460 x 650 x 750Ht.	2
2		DUST BIN	SOE	300DIA x 600Ht.	1
3		GEYSER (Cap. As Per MEP)	SOE	QTY CAN BE MODIFIE AS PER MEP	2
4		INSECT KILLERS	SOE		2
5		FIRE EXTINGUISHER ABC-4KG	SOE		1
6		FIRE EXTINGUISHER CO/2-4.5KG	SOE		1
7		FIRE EXTINGUISHER KTYPE - 6KG	SOE		1
8		FIRE BLANKET - 6' X 4'	SOE		1
TOTAL MISCELLANEOUS LOAD IN Kw. - I					
Total Kw- (A+ B+C+D+E+F+G+H)					

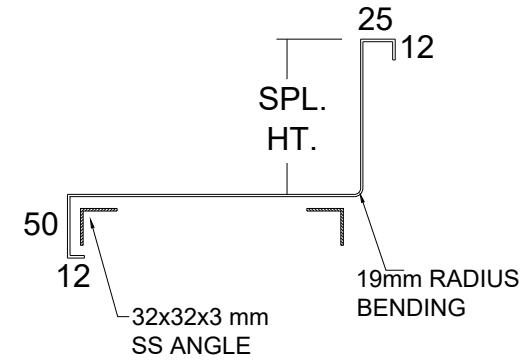
TRAVEL FOOD SERVICES

FABRICATION DETAIL

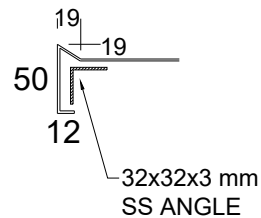
PLAIN TOP



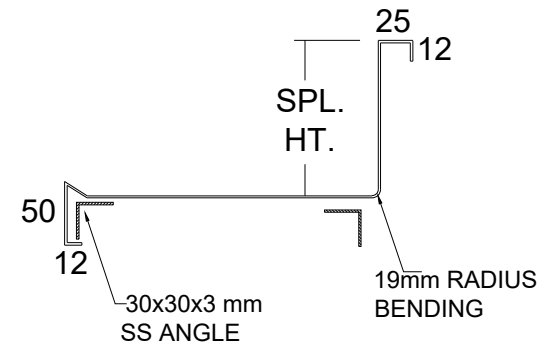
PLAIN TOP WITH SPLASH DETAILS



SUNK IN TOP



SUNK-IN TOP WITH SPLASH DETAILS



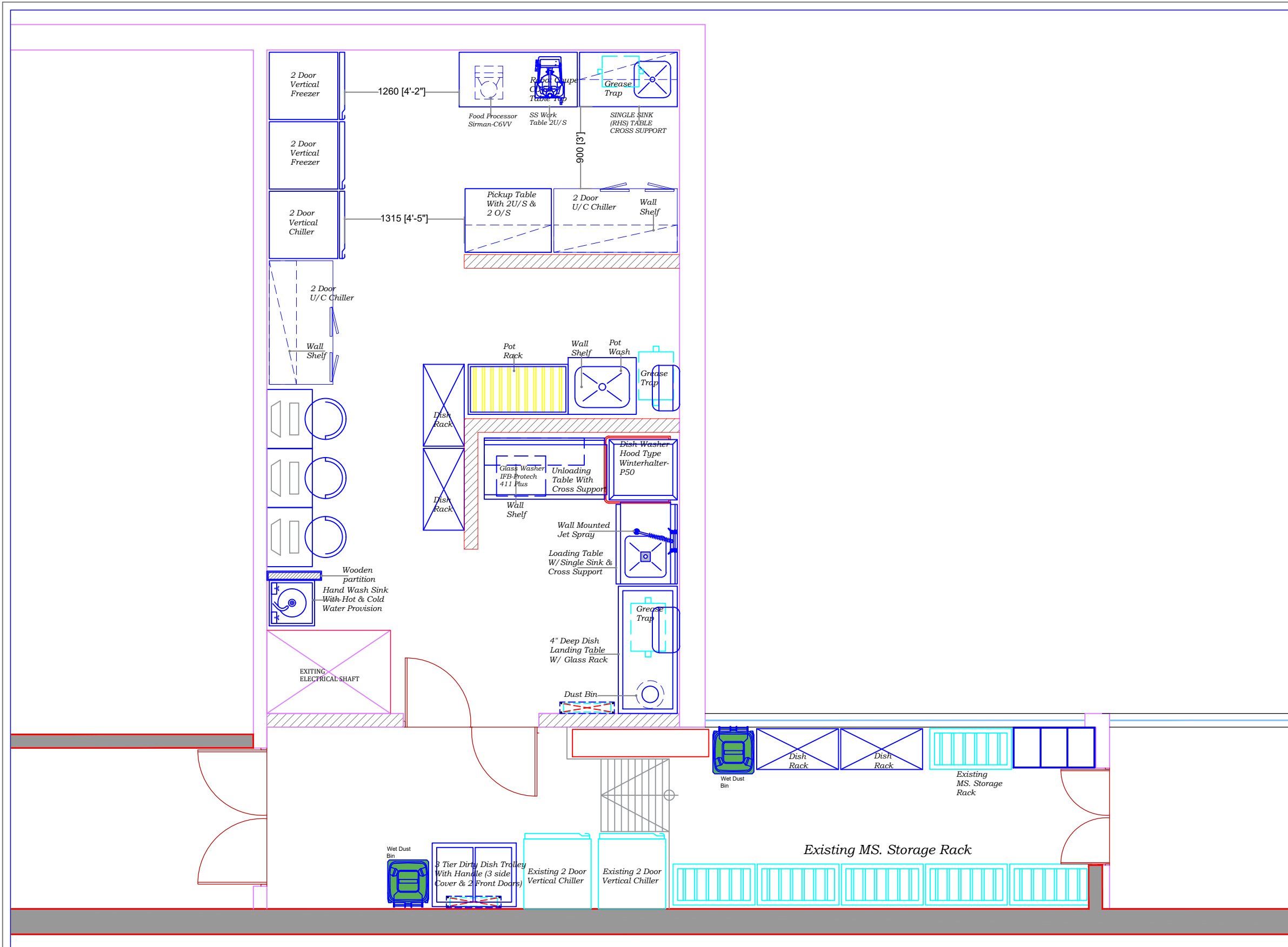
TITLE :	COLD STORAGE & SERVICE	REV. NO :	---	DESIGN BY	Sign
		DATE :	16-04-2024	DWN. BY : FAHEEM	
PROJECT :	LGBI AIRPORT @ GUWAHATI	SCALE :	N.T.S.	CHKD BY : SAEED K.	
				APRVD BY :	



Travel Food Services

INHOUSE DESIGN

COLD STORAGE @ GUWAHATI



PROJECT	LOCATION	DRAWN BY	DATE	CHK BY	DATE	REVISION No.	FINAL APPROVED	DRAWING	DRAWING NAME	SHEET NUMBER
COLD STORAGE	GUWAHATI	FAHEEM	23-10-09			R1	DATE	GFC DRAWING	FURNITURE LAYOUT	01 OF 06
		DWG.No.		SCALE		REVISION DATE :				
		----		NTS.		23-10-17				

TRAVEL FOOD SERVICES

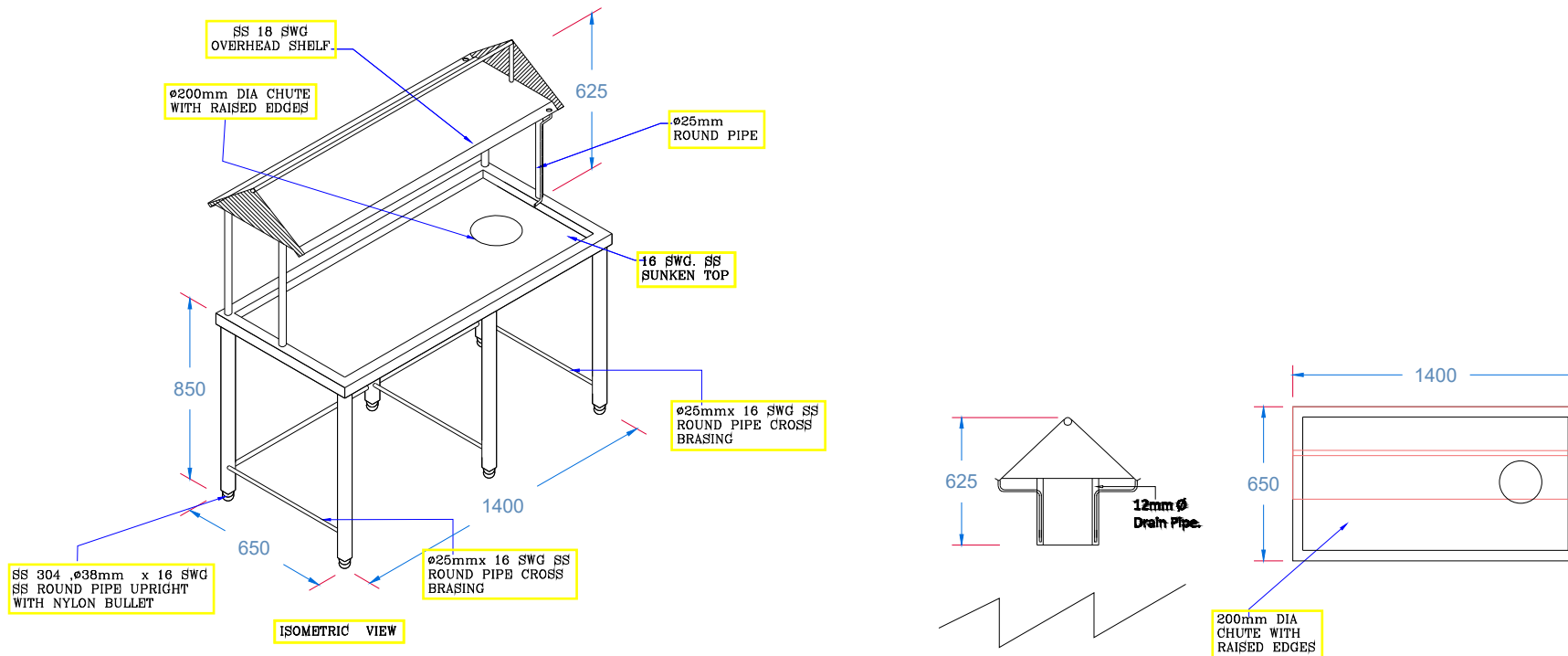
Eq.No : CK-01

4" DEEP DISH LANDING TABLE W/GLASS RACK

Over All Size:- 1400 x 650 x 850 + 500+125 O/S

Qty:- 1No.

DRAWING : DIMENSIONS ARE IN MM



TITLE :	COLD STORAGE & SERVICE	REV. NO :	---	DESIGN BY	Sign
		DATE :	16-04-2024	DWN. BY : FAHEEM	
PROJECT :	LGBI AIRPORT @ GUWAHATI	SCALE :	N.T.S.	CHKD BY: SAEED K.	
				APRVD BY:	



TRAVEL FOOD SERVICES

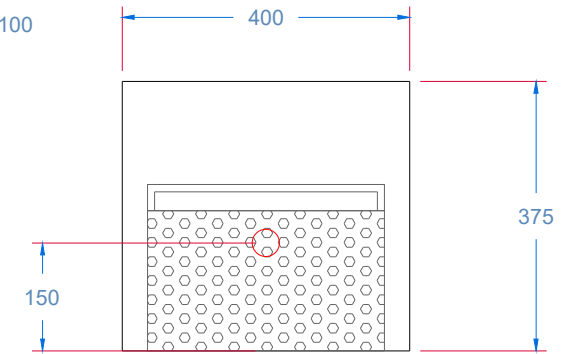
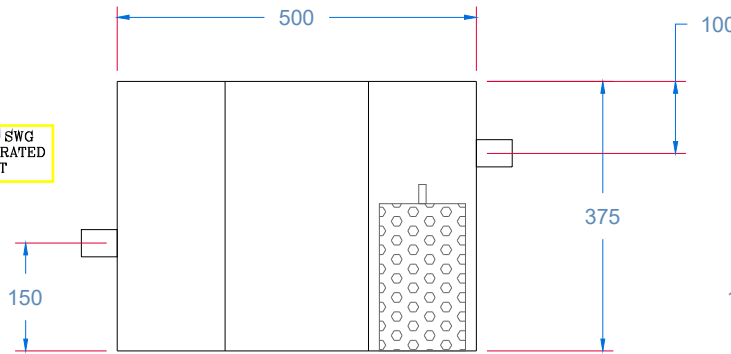
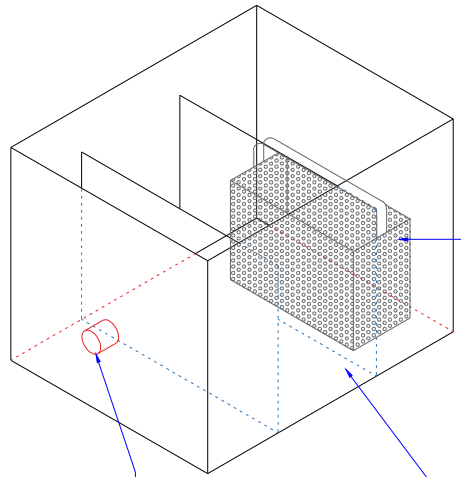
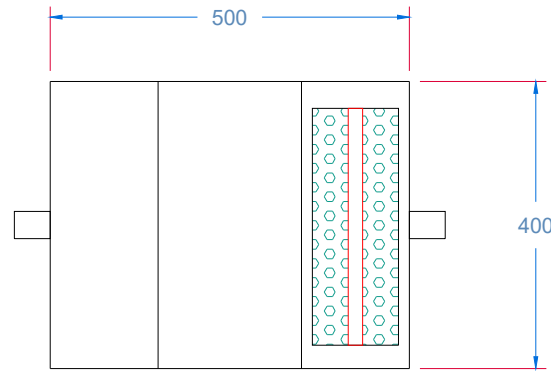
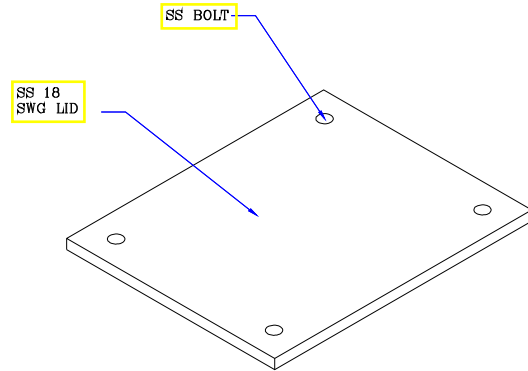
Eq.No : CK-01b


GREASE TRAP

Over All Size:- 500 x 400 x 375Ht.

Qty:- 1No.

DRAWING : DIMENSIONS ARE IN MM



TITLE :	COLD STORAGE & SERVICE	REV. NO :	---	DESIGN BY	Sign	 Travel Food Services
		DATE :	16-04-2024	DWN. BY : FAHEEM		
PROJECT :	LGBI AIRPORT @ GUWAHATI	SCALE :	N.T.S.	CHKD BY: SAEED K.		
				APRVD BY:		

TRAVEL FOOD SERVICES

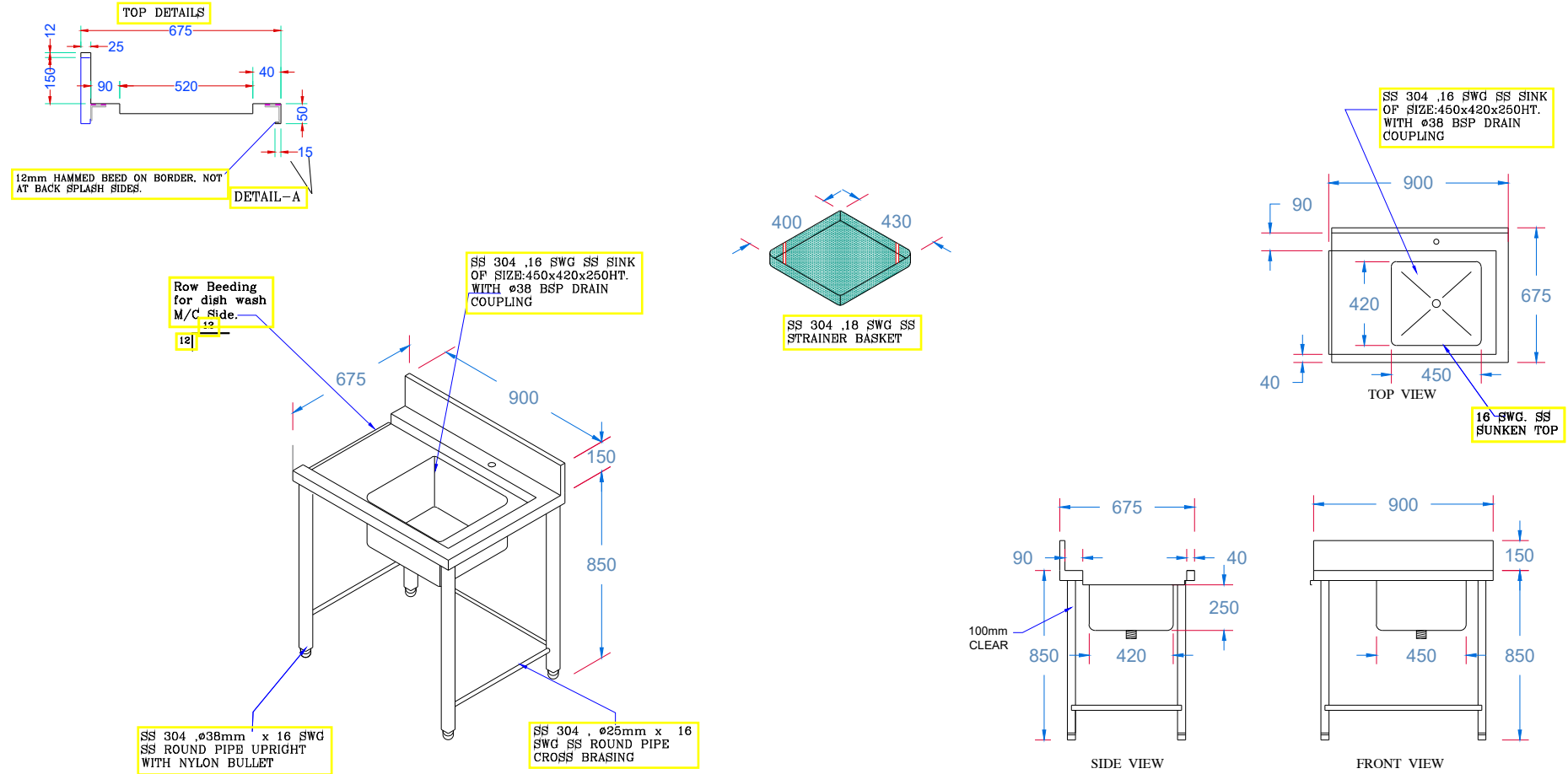
Eq.No : CK-02

LOADING TABLE WITH SINK ON (RHS)L & STRAINER

Over All Size:- 900 x 675 x 850 + 150SPL

Qty:- 1No.

DRAWING : DIMENSIONS ARE IN MM



TITLE :	COLD STORAGE & SERVICE	REV. NO :	---	DESIGN BY	Sign
		DATE :	16-04-2024	DWN. BY : FAHEEM	
PROJECT :	LGBI AIRPORT @ GUWAHATI	SCALE :	N.T.S.	CHKD BY: SAEED K.	
				APRVD BY:	



Travel Food Services

TRAVEL FOOD SERVICES

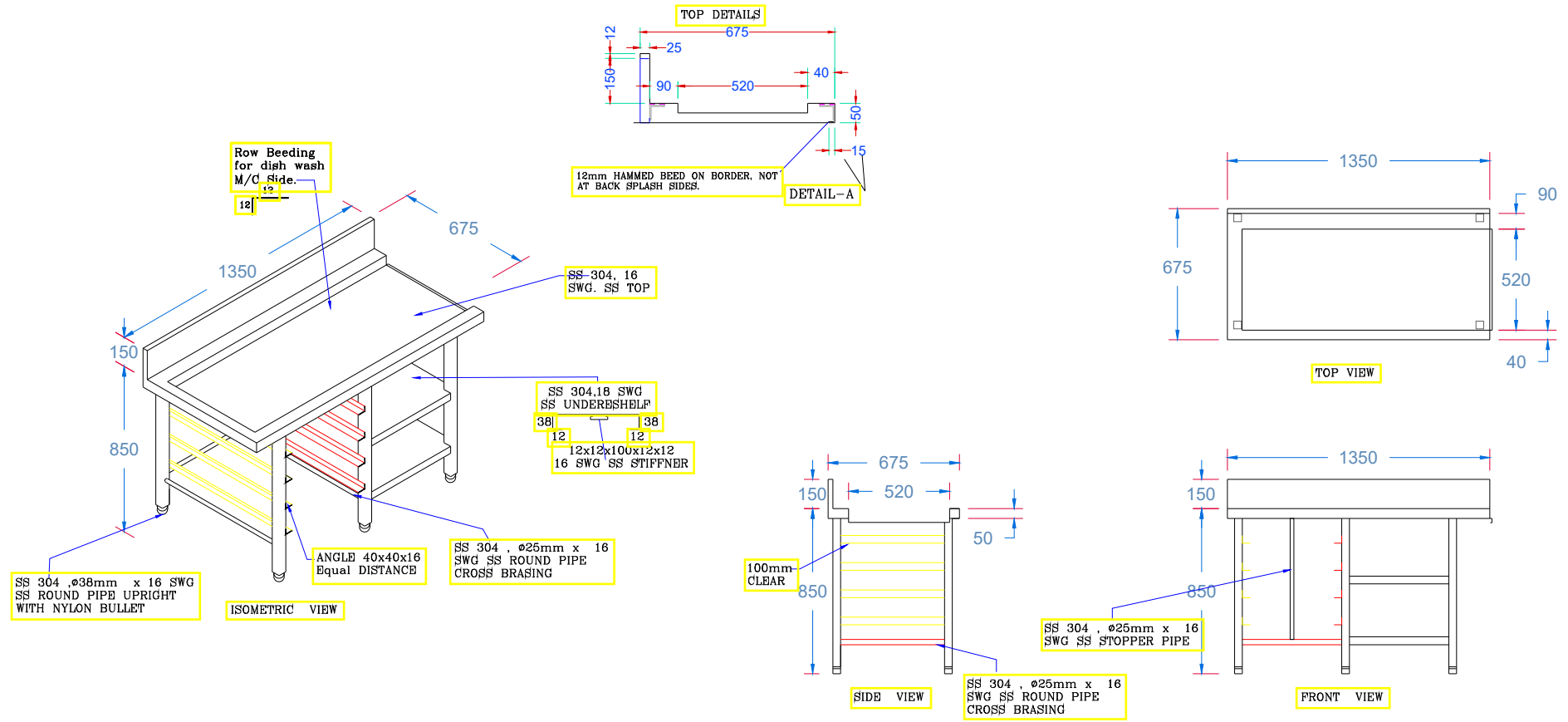
Eq.No : CK-05

UNLOADING TABLE 2 U/S

Over All Size:- 1350 x 675 x850+150SPL

Qty:- 1No.

DRAWING : DIMENSIONS ARE IN MM



TITLE :	COLD STORAGE & SERVICE	REV. NO :	---	DESIGN BY	Sign
		DATE :	16-04-2024	DWN. BY : FAHEEM	
PROJECT :	LGBI AIRPORT @ GUWAHATI	SCALE :	N.T.S.	CHKD BY: SAEED K.	
				APRVD BY:	



TRAVEL FOOD SERVICES

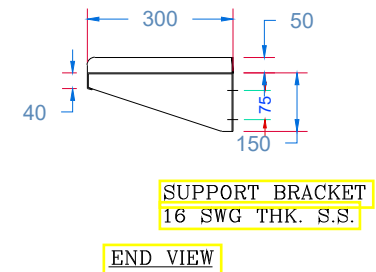
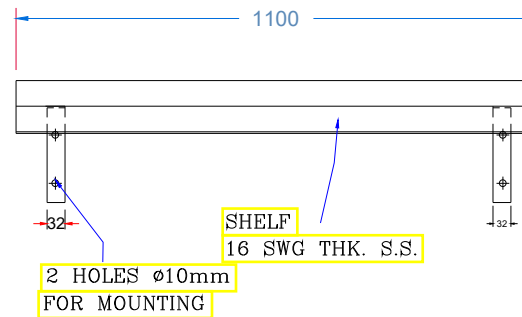
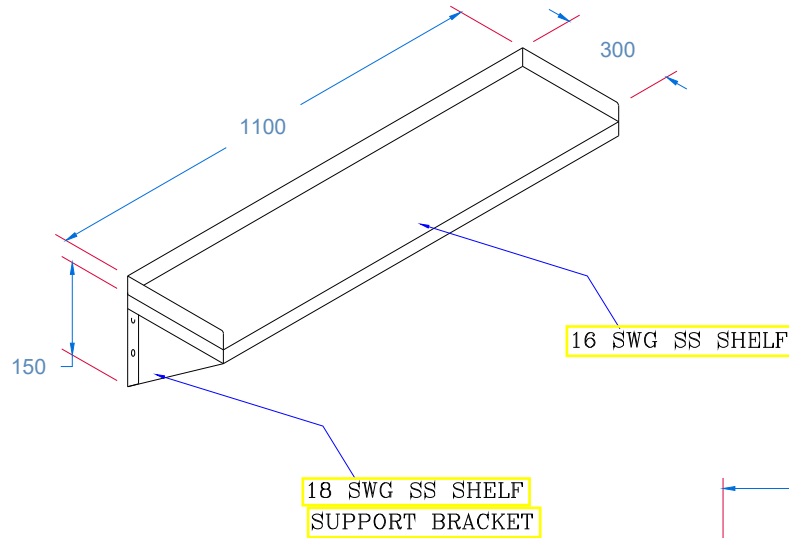
Eq.No : CK-06


SS WALL MOUNTED SHELF

Over All Size:- 1100 x 300 x 150Ht.

Qty:- 1No.

DRAWING : DIMENSIONS ARE IN MM



TITLE :	COLD STORAGE & SERVICE	REV. NO :	---	DESIGN BY	Sign	 Travel Food Services
		DATE :	16-04-2024	DWN. BY : FAHEEM		
PROJECT :	LGBI AIRPORT @ GUWAHATI	SCALE :	N.T.S.	CHKD BY: SAEED K.		
				APRVD BY:		

TRAVEL FOOD SERVICES

Eq.No :CK-10

POT WASH SINK PERFORETED STRAINER AND
BALL VALVE (BOWLS SIZE600 x 450x300mm)

Over All Size:- 750 x 625 x 850+150Ht.

Qty:- 1No.

DRAWING : DIMENSIONS ARE IN MM

16 SWG. SS
SUNKEN TOP

30mmx30mmx3mm
s.s angle frame

S.S.304, 16 SWG. THK. SINK
600x450x300mm DEEP WITH
Ø38mm CUROVIT COUPLING.

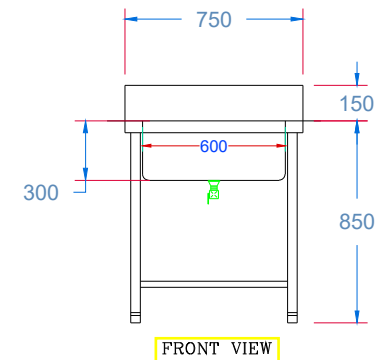
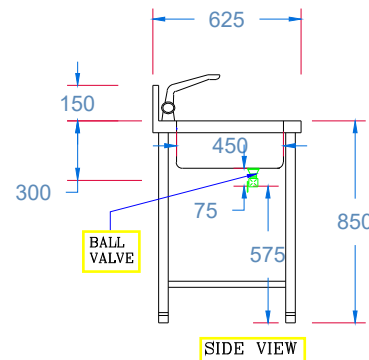
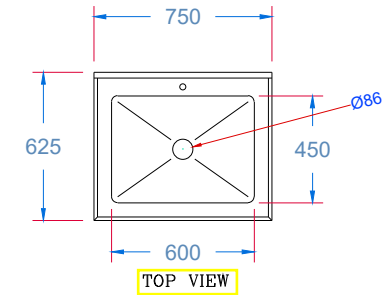
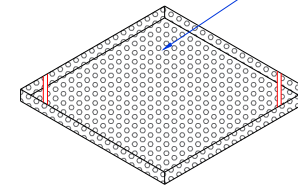
SS 304 , 16 SWG
SUNKEN TOP

SS 304 , 25mmx
25mm x 1.5mm THICK
SWG SQ PIPE.

OFFSET
150MM
REAR

SS 304 , Ø38mm x 16SWG
SWG SS ROUND PIPE UPRIGTS
WITH NYLON BULLET FBET.

SS PERFORATED
STRAINER



BALL
VALVE

TITLE :	COLD STORAGE & SERVICE	REV. NO :	---	DESIGN BY	Sign	
		DATE :	16-04-2024	DWN. BY : FAHEEM		
		PROJECT :	LGBI AIRPORT @ GUWAHATI	SCALE :	N.T.S.	
				APRVD BY:		

TRAVEL FOOD SERVICES

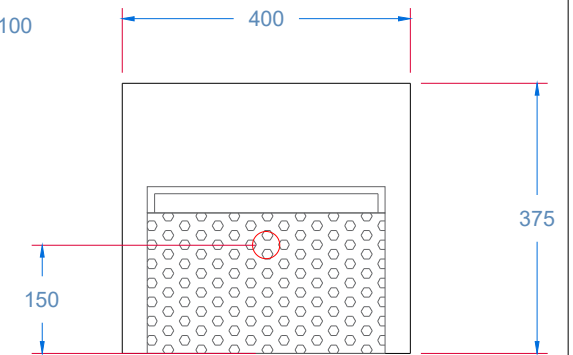
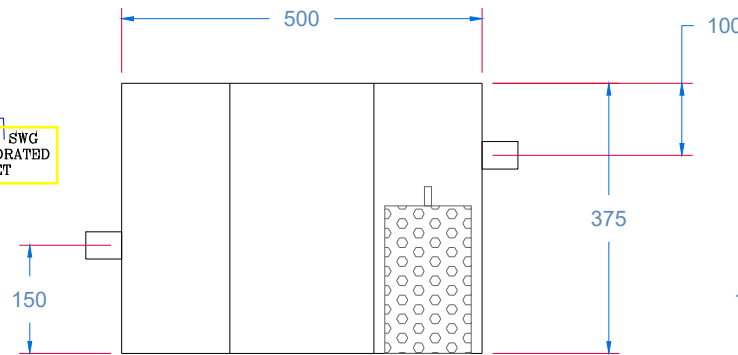
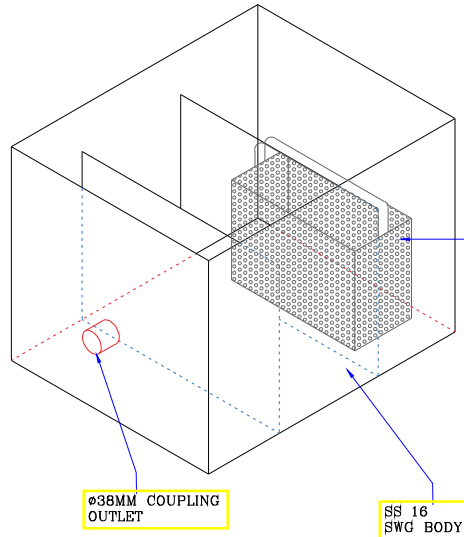
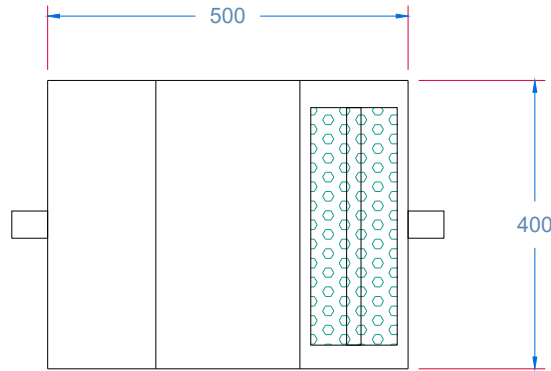
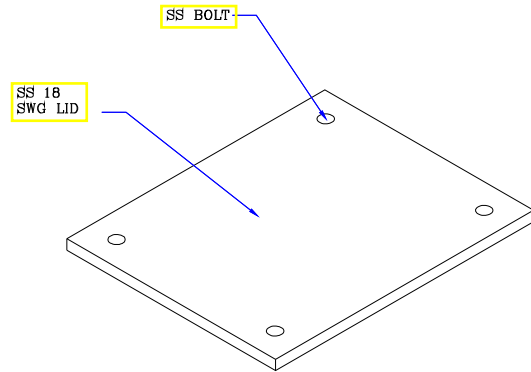
Eq.No : CK-10a

GREASE TRAP

Over All Size:- 500 x 400 x 375Ht.

Qty:- 1No.

DRAWING : DIMENSIONS ARE IN MM



TITLE :	COLD STORAGE & SERVICE	REV. NO :	---	DESIGN BY	Sign
		DATE :	16-04-2024	DWN. BY : FAHEEM	
PROJECT :	LGBI AIRPORT @ GUWAHATI	SCALE :	N.T.S.	CHKD BY : SAEED K.	
				APRVD BY:	



TRAVEL FOOD SERVICES

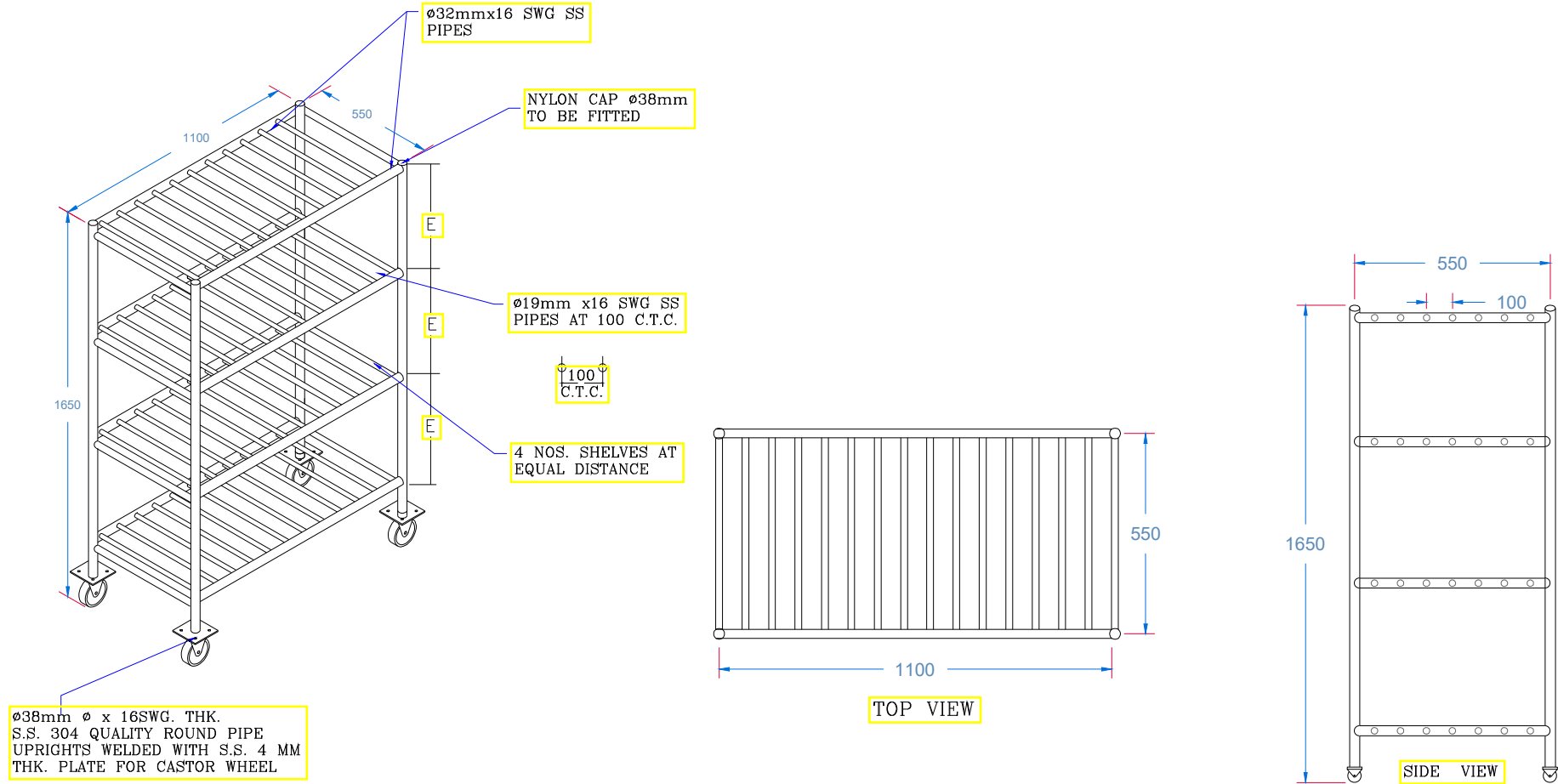
Eq.No :CK-11

POT RACK 4 Nos SHELF W/CASTOR WHEEL

Over All Size:- 1100 x 550 x 1650Ht.

Qty:- 1No.

DRAWING : DIMENSIONS ARE IN MM



TITLE :	COLD STORAGE & SERVICE	REV. NO :	---	DESIGN BY	Sign
		DATE :	16-04-2024	DWN. BY : FAHEEM	
PROJECT :	LGBI AIRPORT @ GUWAHATI	SCALE :	N.T.S.	CHKD BY: SAEED K.	
				APRVD BY:	

Travel Food Services

TRAVEL FOOD SERVICES

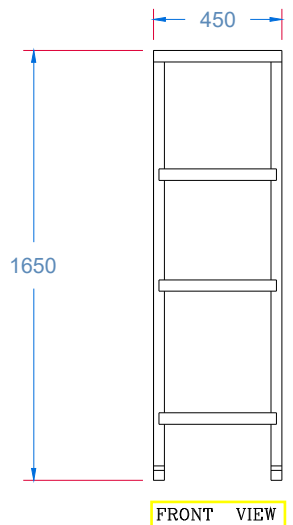
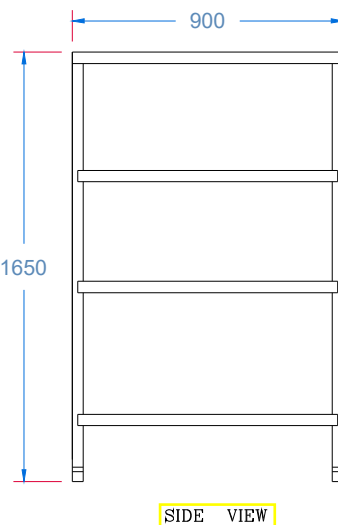
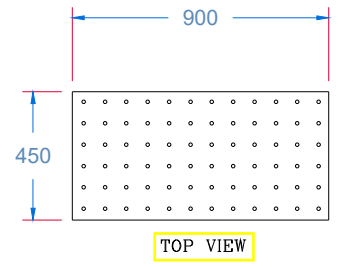
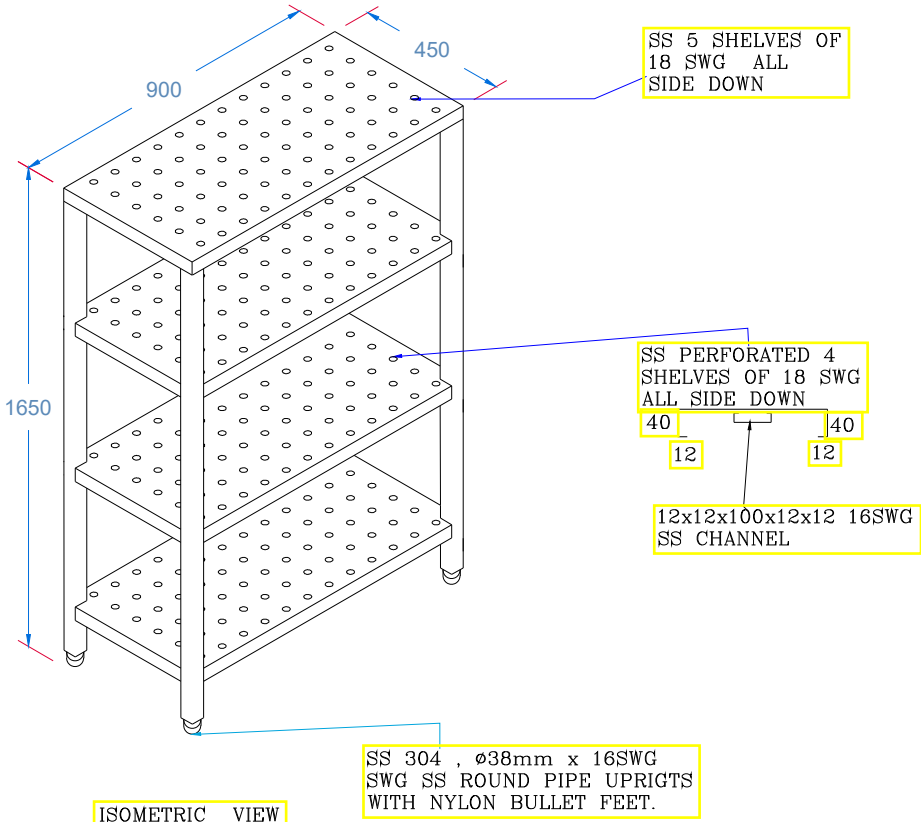
Eq.No : CK-12

CLEAN DISH RACK (4 SHELF)

Over All Size:- 900 x 450 x 1650Ht.

Qty:- 4Nos.

DRAWING : DIMENSIONS ARE IN MM



TITLE :		REV. NO :	---	DESIGN BY	Sign	<p style="font-size: small;">Travel Food Services</p>
		DATE :		DWN. BY : FAHEEM		
		PROJECT :		SCALE : N.T.S.	CHKD BY: SAEED K.	
				APRVD BY:		

TRAVEL FOOD SERVICES

Eq.No : CK-14

WORK TABLE W/ 2 U/S & 2 O/S

Over All Size:- 950 x 700 x 850+450+300 O/S

Qty:- 1No.

DRAWING : DIMENSIONS ARE IN MM

UNDER STIFFENR OF S.S. 16
SWG. THK. 12x25x100x25x12mm

12mm HAMMED BEED
INSIDE ALL SIDES

SS 304 ,18
SWG OHS

SS 304 , 25mm x
25mmx 16SWG
SWG SS SQ PIPE.

SS 304 , 16
SWG TOP

SS 304 , ϕ 38mm x 16SWG
SWG SS ROUND PIPE UPRIGTS
WITH NYLON BULLET FEET.

SS 304,18 SWG
SS UNDERESHLEF

38
12

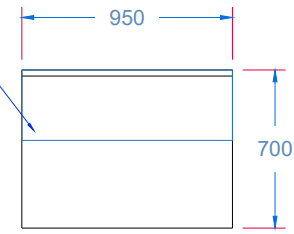
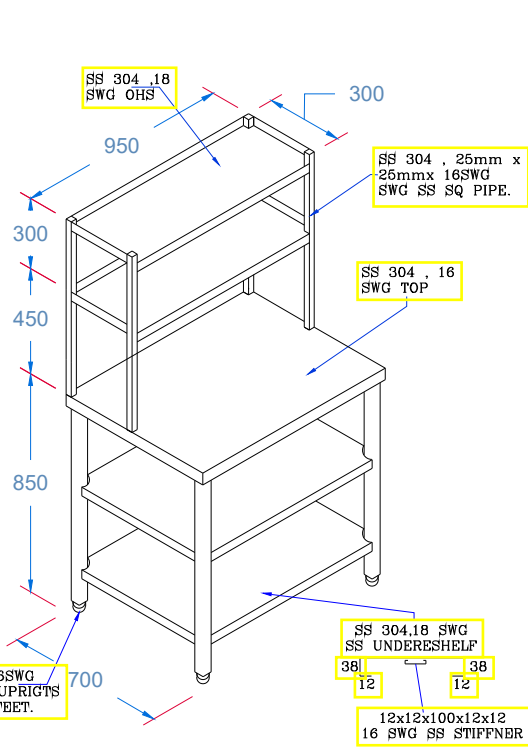
12x12x100x12x12
16 SWG SS STIFFNDR

SS 304 ,18
SWG OHS

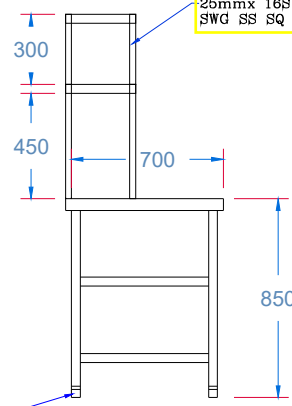
SS 304 , 25mm x
25mmx 16SWG
SWG SS SQ PIPE.

SS 304 , ϕ 38mm x 16SWG
SWG SS ROUND PIPE UPRIGTS
WITH NYLON BULLET FEET.

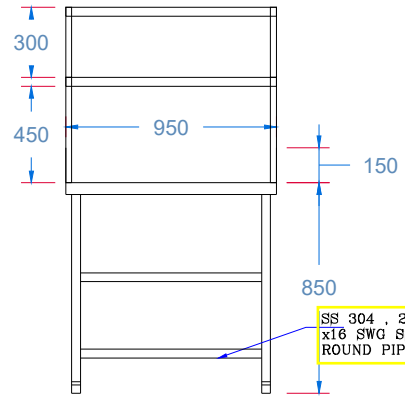
SS 304 , 25mmx
x16 SWG SS
ROUND PIPE.



TOP VIEW



SIDE VIEW



FRONT VIEW

TITLE :	COLD STORAGE & SERVICE	REV. NO :	---	DESIGN BY	Sign
		DATE :	16-04-2024	DWN. BY : FAHEEM	
PROJECT :	LGBI AIRPORT @ GUWAHATI	SCALE :	N.T.S.	CHKD BY: SAEED K.	
				APRVD BY:	



TRAVEL FOOD SERVICES

Eq.No : CK-15

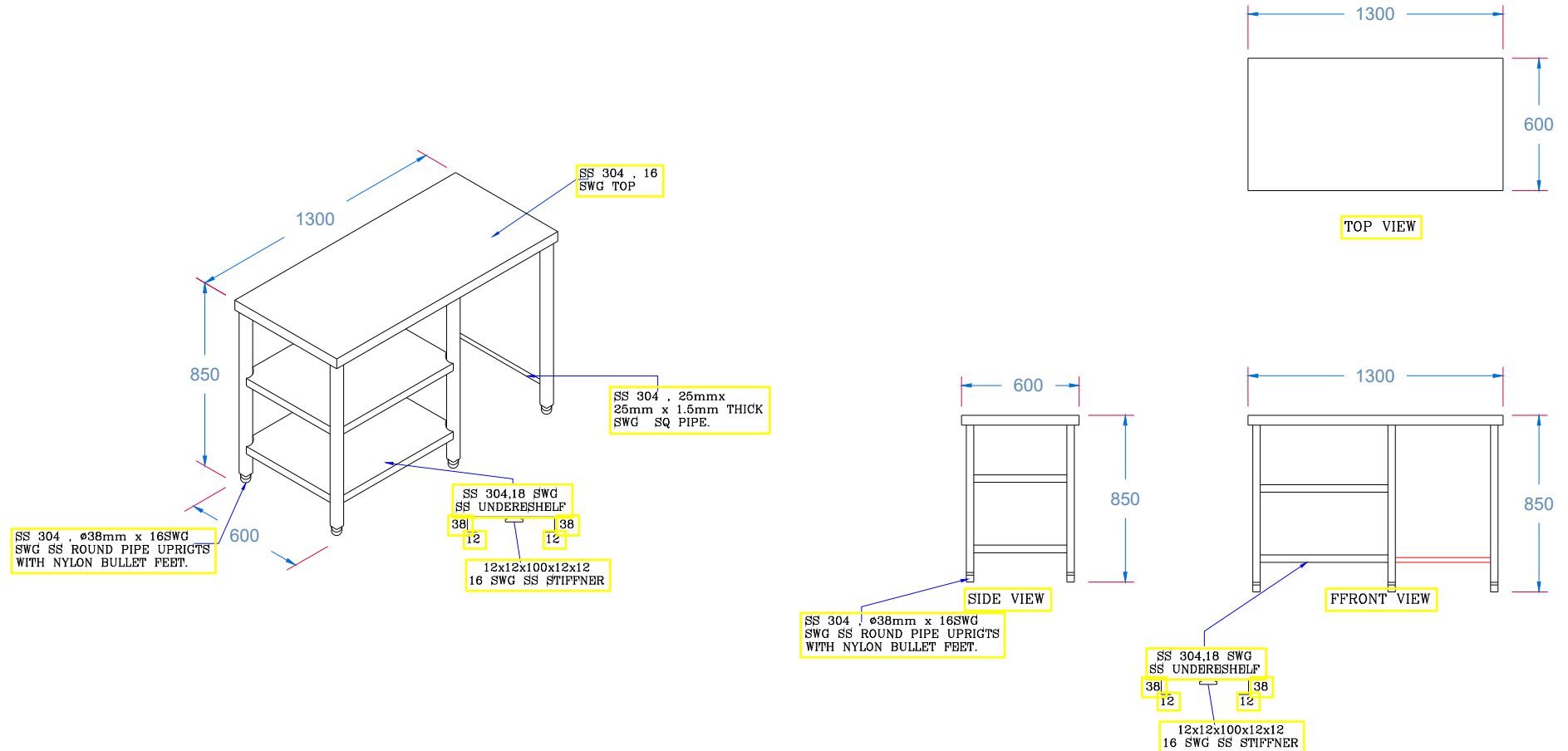
WORK TABLE HALFSID 2 U/S & HALFSIDE
CRTOSS SUPPORT FOR USED OIL STORAGE

Over All Size:- 1300 x 600 x 850

Qty:- 1No.

DRAWING :

DIMENSIONS ARE IN MM



TITLE :	COLD STORAGE & SERVICE	REV. NO :	---	DESIGN BY	Sign
		DATE :	16-04-2024	DWN. BY : FAHEEM	
		SCALE :	N.T.S.	CHKD BY: SAEED K.	
PROJECT :	LGBI AIRPORT @ GUWAHATI			APRVD BY:	

Travel Food Services

TRAVEL FOOD SERVICES

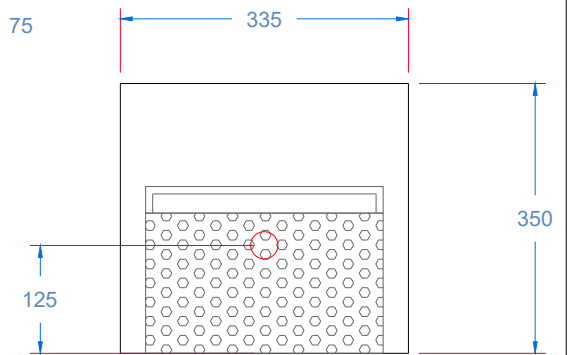
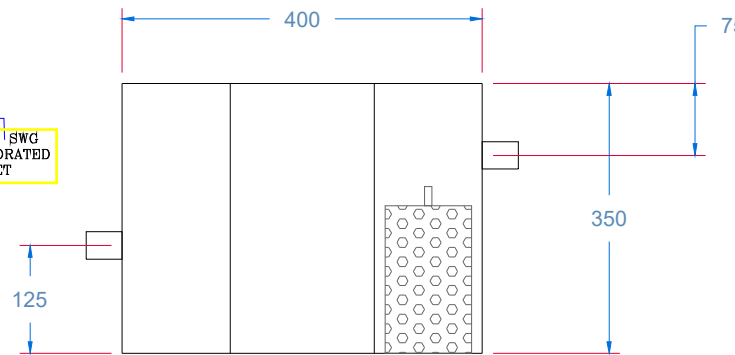
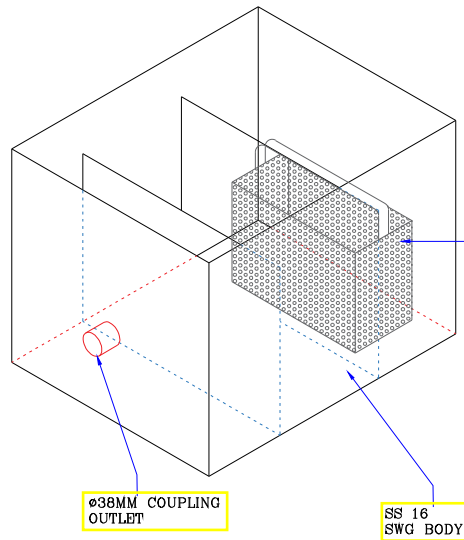
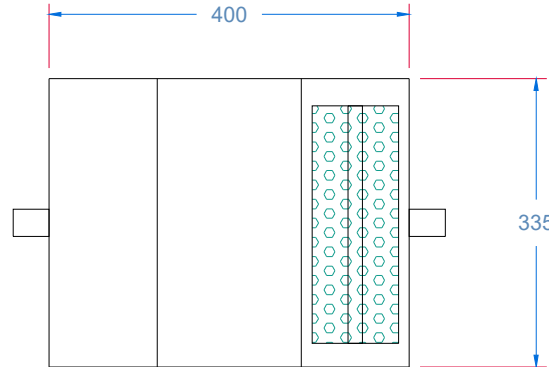
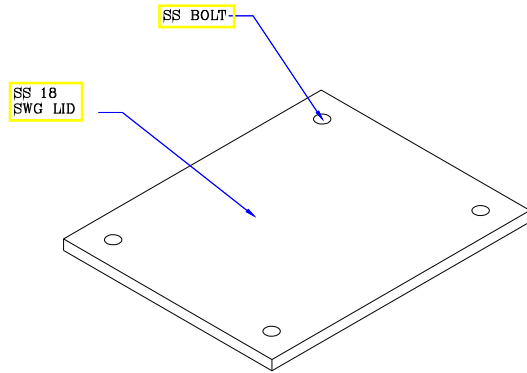
Eq.No : CK-27a


GREASE TRAP

Over All Size:- 400 x 335 x 350Ht.

Qty:- 1No.

DRAWING : DIMENSIONS ARE IN MM



TITLE :	COLD STORAGE & SERVICE	REV. NO :	---	DESIGN BY	Sign	 Travel Food Services
		DATE :	16-04-2024	DWN. BY : FAHEEM		
PROJECT :	LGBI AIRPORT @ GUWAHATI	SCALE :	N.T.S.	CHKD BY : SAEED K.		
				APRVD BY:		

TRAVEL FOOD SERVICES

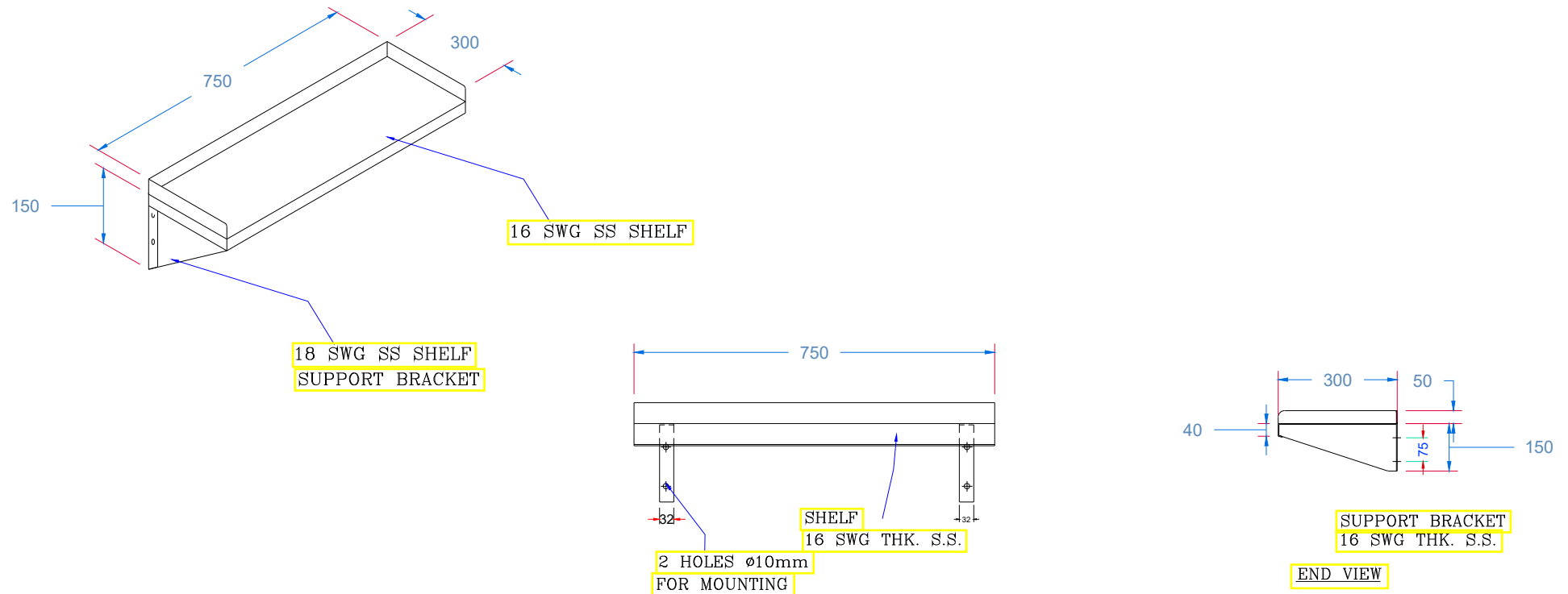
Eq.No : CK-33


SS WALL MOUNTED SHELF

Over All Size:- 750 x 300 x 150Ht.

Qty:- 2Nos.

DRAWING : DIMENSIONS ARE IN MM



TITLE :	COLD STORAGE & SERVICE	REV. NO :	---	DESIGN BY	Sign	 Travel Food Services
		DATE :	16-04-2024	DWN. BY : FAHEEM		
PROJECT :	LGBI AIRPORT @ GUWAHATI	SCALE :	N.T.S.	CHKD BY: SAEED K.		
				APRVD BY:		

TRAVEL FOOD SERVICES

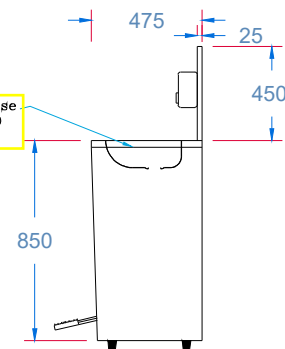
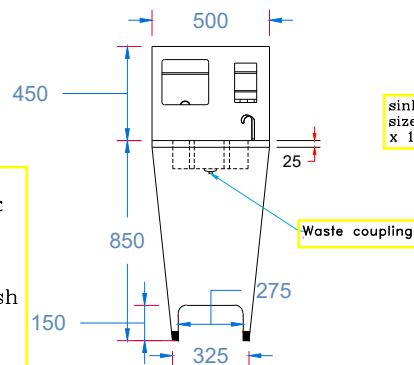
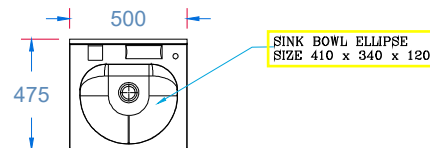
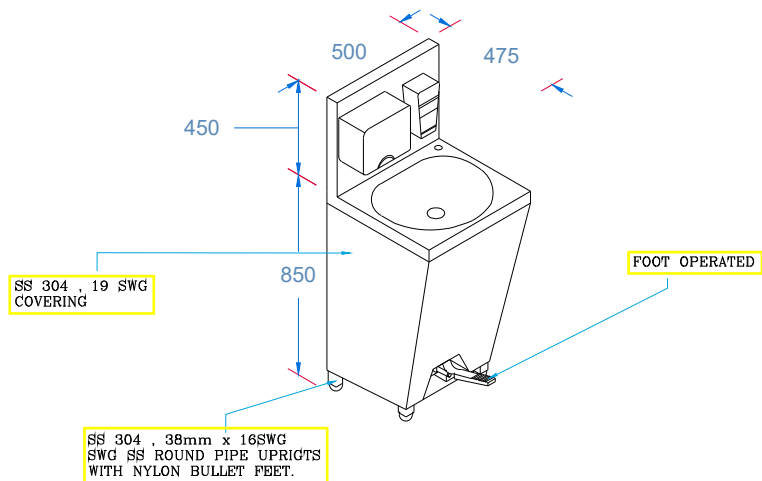
Eq.No : CK-37

FOOT OPERATED HAND WASH SINK WITH ACCESSORIES

Over All Size:- 500 x 475 x 850+450SPL

Qty:- 1No.

DRAWING : DIMENSIONS ARE IN MM



FOOT OPERATED HAND WASH SINK
 Additional Accessories : HOT & COLD WATER CONNECTION & WITH TISSUE HOLDER & SOAP DISPENSER PROVISION OPEN FROM BACK SIDE.
 Overall Size : 500 x 475 x 850 + 450

Key Features : Unique Deep Drawn Elliptical Bowl : Easy to Clean With Matt Finish
 Bowl size : 410 x 340 x 120

Heavy Duty Imported Foot Valve And Spout

Made in AISI 304 : 1.2 MM Thickness

Additional Accessories : SS Waste Coupling 1.5" BSP With PVC Flexible Hose

Inlet Source : $\frac{1}{2}$ "BSP

FRONT VIEW

SIDE VIEW

TITLE :	COLD STORAGE & SERVICE	REV. NO :	---	DESIGN BY	Sign	<p style="font-size: small;">Travel Food Services</p>
		DATE :	16-04-2024	DWN. BY : FAHEEM		
		PROJECT :	LGBI AIRPORT @ GUWAHATI	SCALE :	N.T.S.	
				APRVD BY:		

TRAVEL FOOD SERVICES

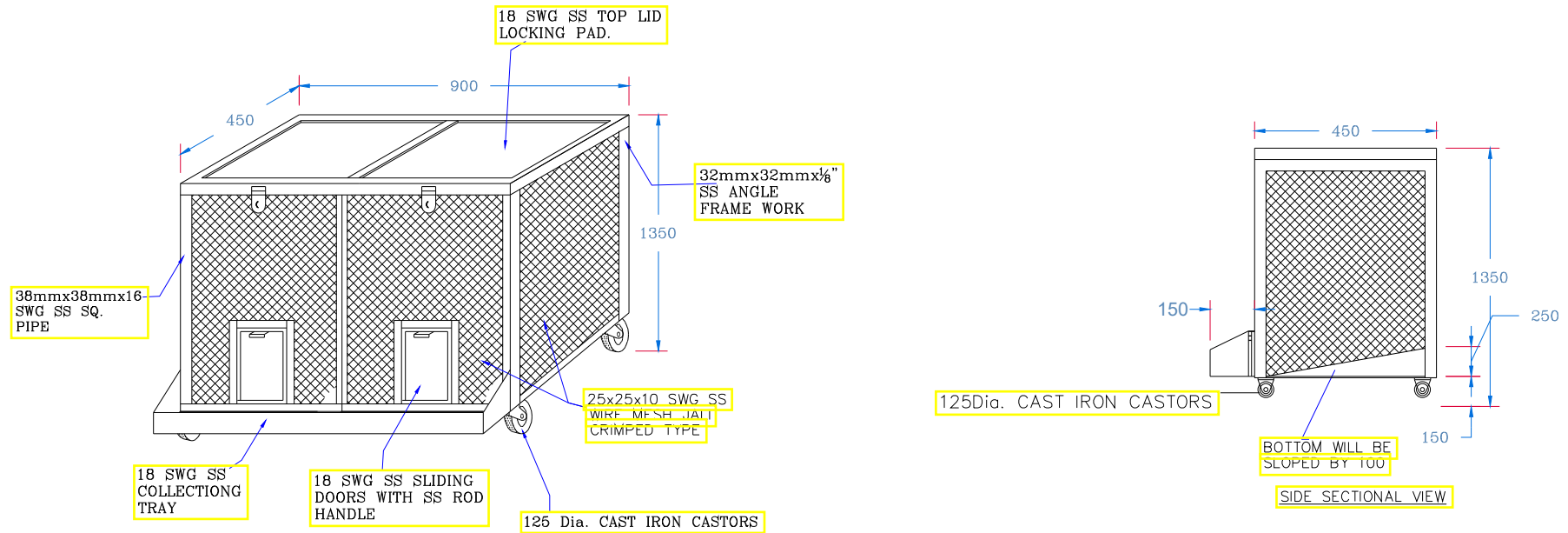
Eq.No : CK-42


ONION, POTATO &
COCONUT STORAGE TROLLEY

Over All Size:- 900 x 450 x 1350Ht.

Qty:- 1No.

DRAWING : DIMENSIONS ARE IN MM



TITLE :	COLD STORAGE & SERVICE	REV. NO :	---	DESIGN BY	Sign	 Travel Food Services
		DATE :	16-04-2024	DWN. BY : FAHEEM		
		SCALE :	N.T.S.	CHKD BY: SAEED K.		
PROJECT :	LGBI AIRPORT @ GUWAHATI			APRVD BY:		

TRAVEL FOOD SERVICES

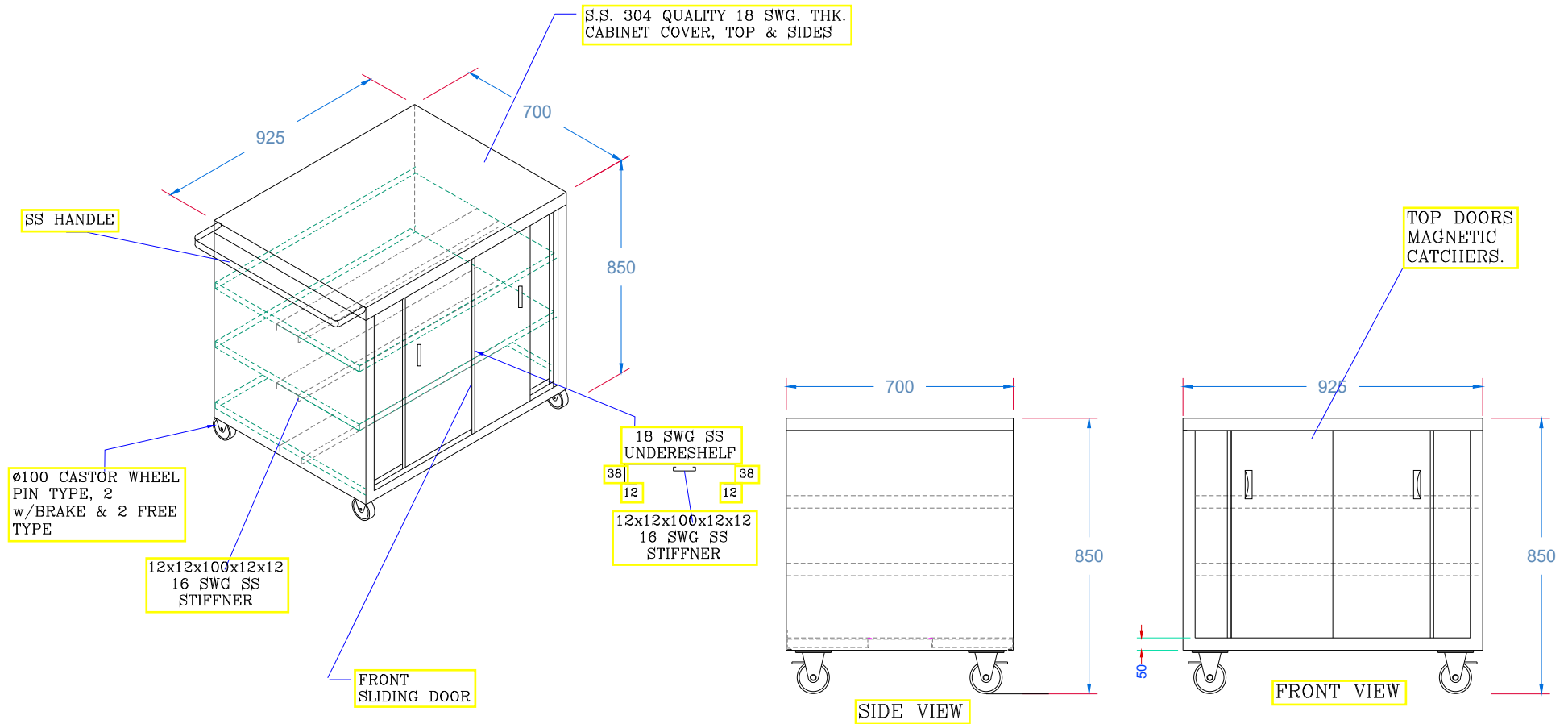
Eq.No : CK-43

**3 TIER DIRTY DISH TROLLEY WITH HANDLE
(3 SIDE COVER & 2 FRONT DOORS)**

Over All Size:- 925 x 700 x 850Ht.

Qty:- 2Nos.

DRAWING : DIMENSIONS ARE IN MM



TITLE :	COLD STORAGE & SERVICE	REV. NO :	---	DESIGN BY	Sign	 Travel Food Services
		DATE :	16-04-2024	DWN. BY : FAHEEM		
PROJECT :	LGBI AIRPORT @ GUWAHATI	SCALE :	N.T.S.	CHKD BY: SAEED K.		
				APRVD BY:		

TRAVEL FOOD SERVICES

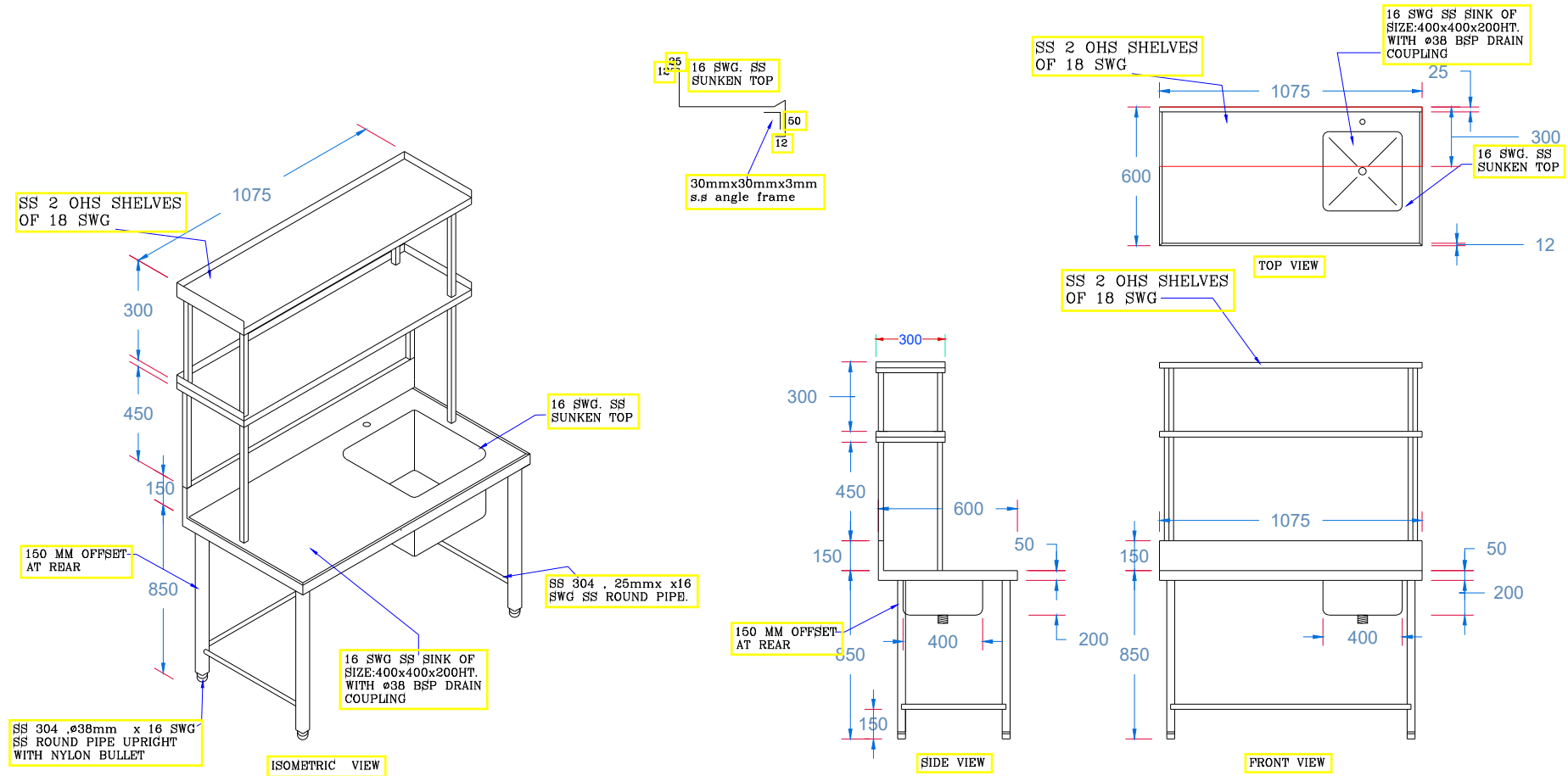
Eq.No : CK-46

SINGLE SINK (RHS) TABLE CROSS SUPPORT WITH OHS

Over All Size:- 1075 x 600 x 850 + 150+ 450+300

Qty:- 1No.

DRAWING : DIMENSIONS ARE IN MM



TITLE : COLD STORAGE & SERVICE

PROJECT : LGBI AIRPORT @ GUWAHATI

REV. NO :

DATE :

16-04-2024

SCALE :

N.T.S.

DESIGN BY

Sign

DWN. BY : FAHEEM

CHKD BY: SAEED K.

APRVD BY:



Travel Food Services