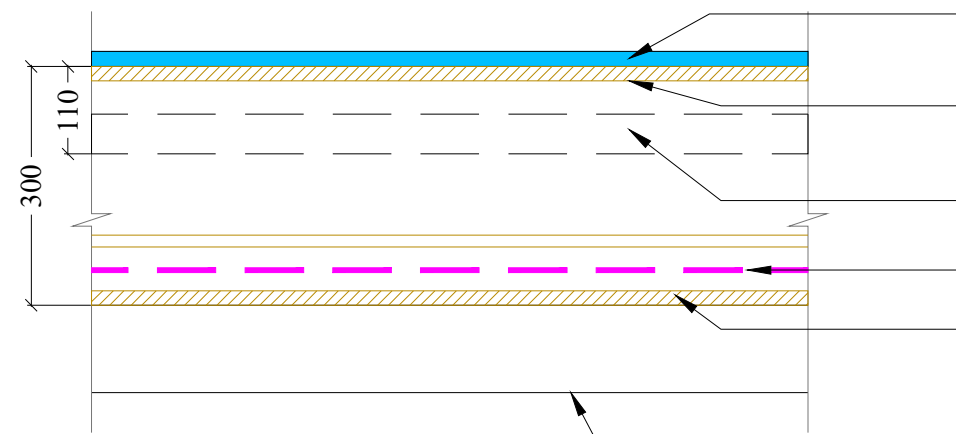


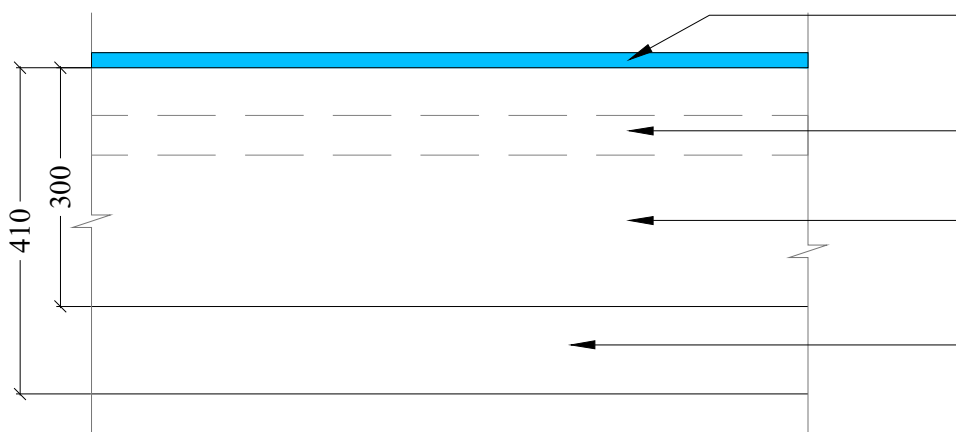
FRONT ELEVATION

- EXISTING GLASS RAILING
- APP. DARK EMPERADOR MARBLE
- 18 MM PLY BOXING WITH APP. VENEER FINISHED WITH APP. MELAMINE POLISH
- EXISTING SS RAILING
- PROVISION FOR LED LIGHT
- 75 MM HT APP. ROSALIYA MARBLE SKIRTING



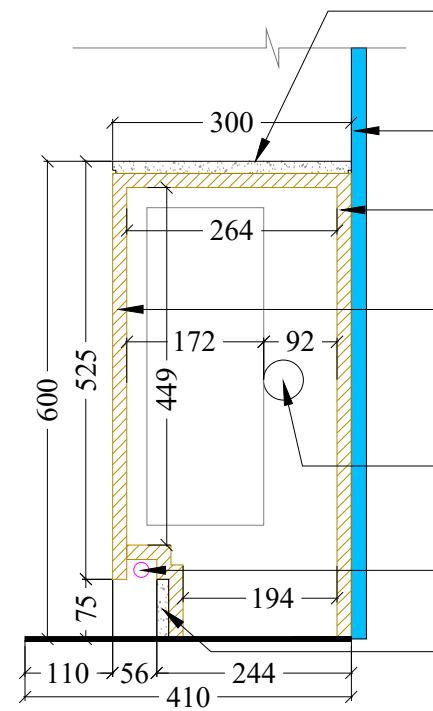
PLAN CUT @ B-B'

- EXISTING GLASS RAILING
- 18 MM BACK PLY FINISHED IN APP. LAMINATE
- EXISTING SS RAILING
- PROVISION FOR LED LIGHT
- 18 MM PLY FRONT WITH APP. VENEER FINISHED WITH APP. MELAMINE POLISH
- EXISTING GRANITE PATTA



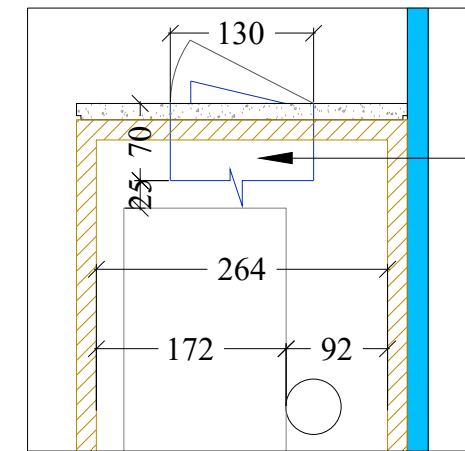
PLAN CUT @ A-A'

- EXISTING GLASS RAILING
- EXISTING SS RAILING
- APP. DARK EMPERADOR MARBLE
- EXISTING GRANITE PATTA



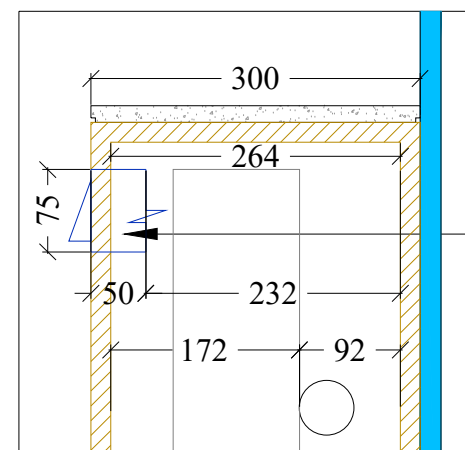
SECTION C-C'

- APP. DARK EMPERADOR MARBLE
- EXISTING GLASS RAILING
- 18 MM BACK PLY FINISHED IN APP. LAMINATE
- 18 MM PLY FRONT WITH APP. VENEER FINISHED WITH APP. MELAMINE POLISH
- EXISTING SS RAILING
- PROVISION FOR LED LIGHT
- 75 MM HT APP. ROSALIYA MARBLE SKIRTING



SWITCH BOARD OPTION 01

PULL OUT SWITCH BOARD IN APP SWITCH PLATE AND SWITCHES COLOR IN BLACK



SWITCH BOARD OPTION 02

SWITCH BOARD IN APP SWITCH PLATE AND SWITCHES COLOR IN BLACK



KEY PLAN

BUSINESS LOUNGE - RAILING BOXING DETAIL

SIGN STAMP

CLIENT
TFS

PROJECT
CHENNAI T2 LOUNGE
BUSINESS LOUNGE

- NOTES:
- ALL DRAWING IS IN MM
 - THIS DRAWING IS A RIGHT & PROPERTY OF ARCHITECT NOT TO BE PRODUCED, COPIED, HANDED OVER TO THIRD PARTY OR USED FOR ANY OTHER PURPOSE OTHER THAN FOR WHICH IT IS INTENDED AND REMAIN OUR SOLE PROPERTY.
 - ONLY WRITTEN DIMENSIONS TO BE FOLLOWED.
 - THE CONTRACTOR MUST CHECK ALL DIMENSIONS & DETAILS & BE RESPONSIBLE FOR THE SAME. ANY DISCREPANCY SHALL BE BROUGHT TO THE NOTICE OF THE ARCHITECT
 - THIS DRAWING SHOULD BE READ IN CONJUNCTION WITH RELEVANT WORKING & DETAILED DRAWINGS.
 - ALL DIMENSIONS SHALL BE VERIFIED ON SITE PRIOR TO START OF WORK

ara
DESIGNS

1st flr dwarka, 57 tagore road, santacruz west, mumbai 400 054
Tel : 26482236 / 26482237

SCALE	NTS
DRN. BY	ARA
DATE	22.03.24
JOB/DRG. NO	MAA-LUG-107