

ALL DIMENSIONS ARE IN MM.

PROJECT NAME - BIRYANI BHAI - LUCKNOW STREET

ITEM NAME Hot Bain Marie with Sneeze Guard

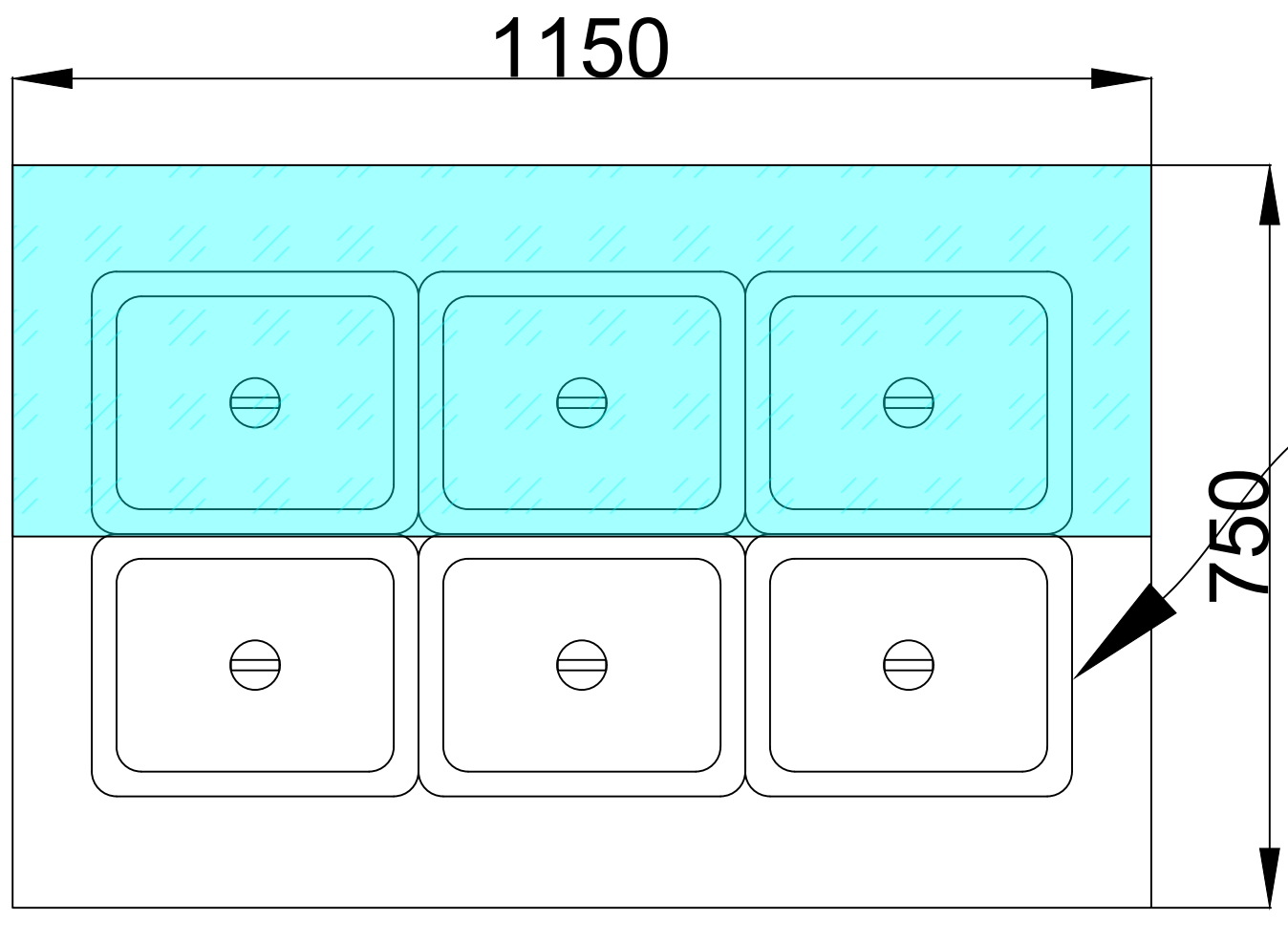
ITEM NO. MK-03

SECTION

DIMENSION - 1150 x 750 x 850 + 450 mm SPECIFICATION FOR : - Hot Bain Marie with Sneeze Guard

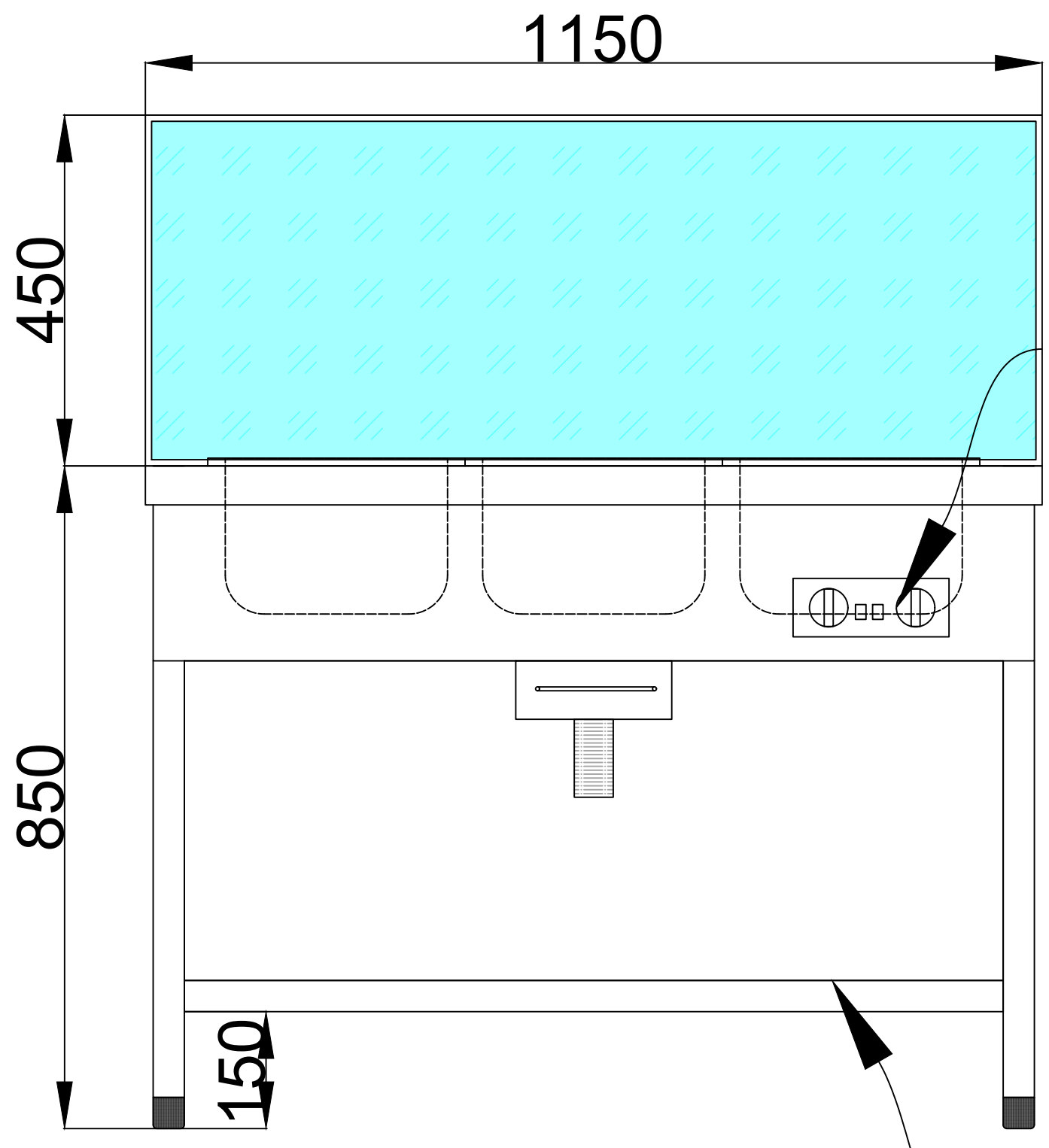
TOP VIEW

- * TOP 16 GAUGE 304 GRADE S.S TO USE
- * FRAME WORK : S.S ANGLE 304 GRADE 35X35X5MM THICKNESS FRAME WORK
- * 38 MM S.S 304 SQUARE PIPE 16 GAUGE.
- * Electric U/W type heater - 3 KW.
- * Electric Connection - 1Ph/N/E/220V/50Hz/32 Amps.



6 Nos of 1/2 x 200mm GN Pans

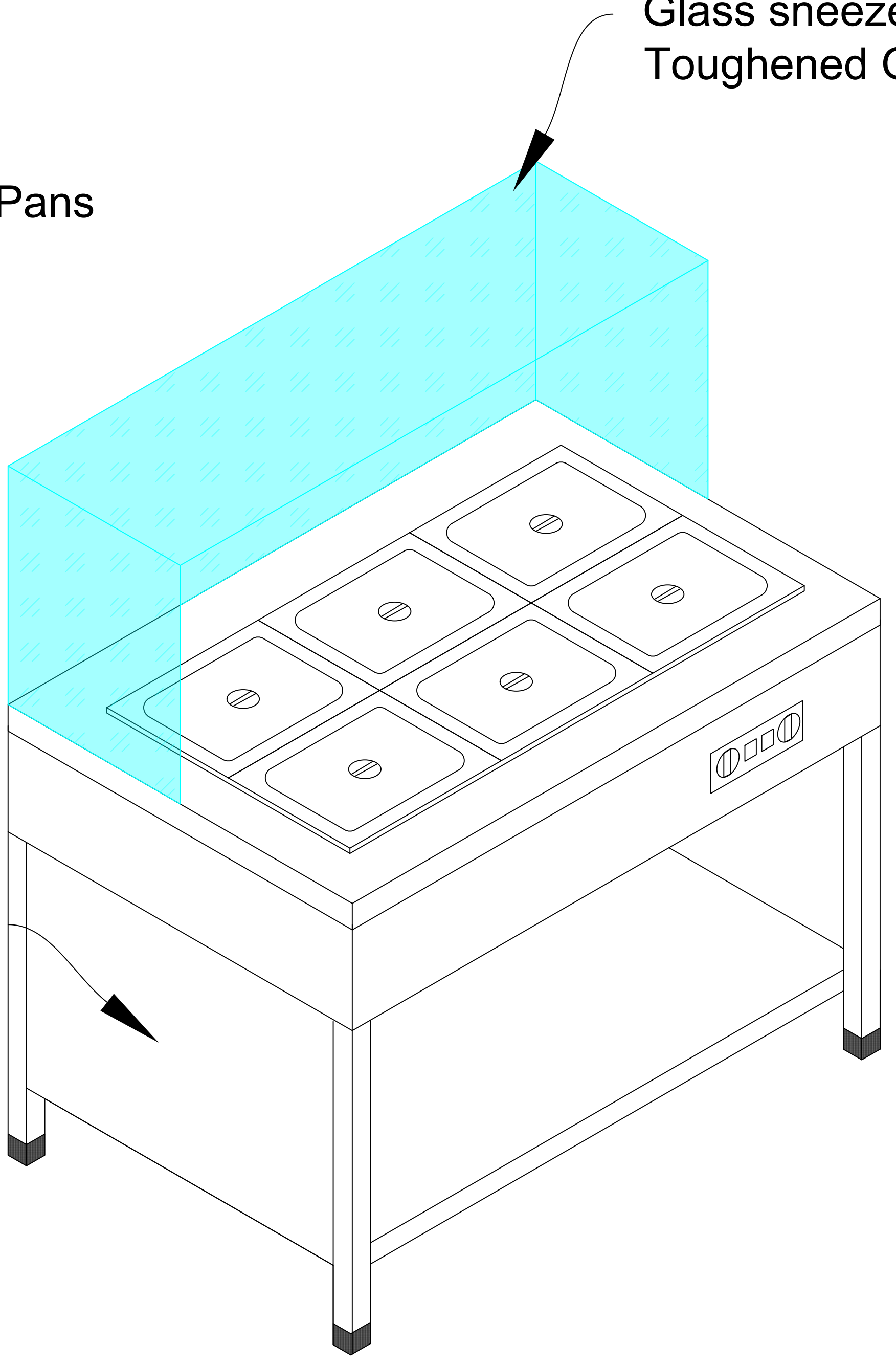
Glass sneeze guard.
Toughened Glass



Electric Panel

3 Sides covered
front Open

18G undershelf
with SS Stiffener



IMPORTANT

-INDICATIVE DRAWING
-FINAL SHOP DRAWING TO BE PROVIDED BY FABRICATOR AFTER CHECK AT SITE FOR APPROVAL BY CONSULTANT

- ONLY STAMPED & SIGNED SHOP DRAWINGS TO BE USED FOR FINAL FABRICATION.

All Design & Drawing are the Property of IHP Design and Not to be Used Copied or Reproduced Without Prior Written Permission.