

FIRE ALARM LEGEND		
SYMBOL	DESCRIPTION	QTY
(S)	SMOKE DETECTOR (CEILING MOUNTED)	03
(H)	HEAT DETECTOR (CEILING MOUNTED)	02
(MCP)	MANUAL CALL POINT (PULL STATION)	01
(SRO)	FIRE ALARM LOOP SOUNDER STROBE (WALL MOUNTED)	01
(MM)	MONITOR MODULE	02
(CM)	CONTROL MODULE	01
(IM)	ISOLATION MODULE	01
(LJB)	LOOP JUNCTION BOX	--
(FAC)	FIRE ALARM CIRCUIT	--
(LPL)	600x600mm LED PANEL LIGHT TEMP:4000K	05
(EDL)	EMERGENCY DOWN LIGHT TEMP:3000K	10
(EXIT)	EXIT LIGHT (WALL / CEILING MOUNTED)	03

NOTES

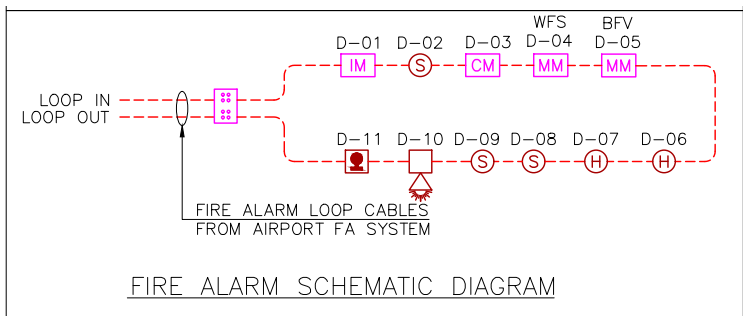
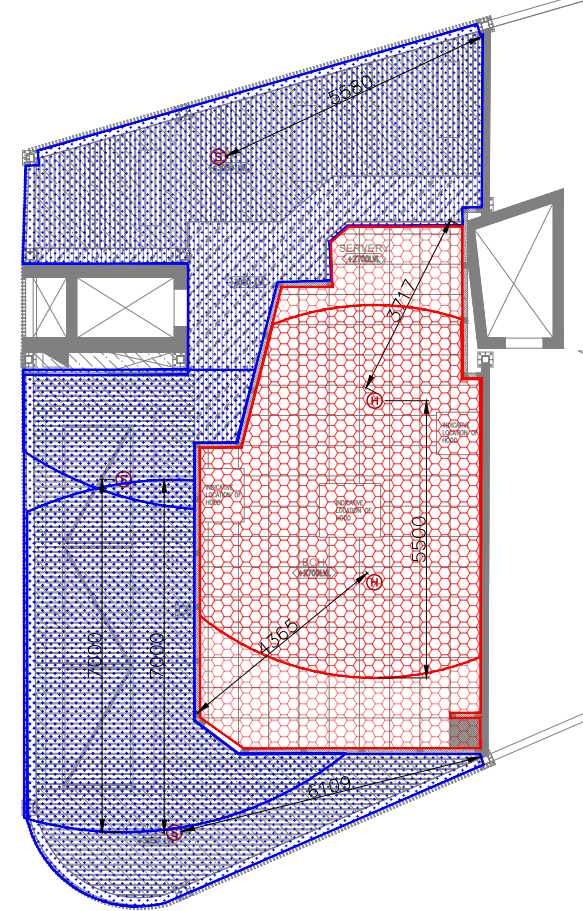
- ALL DIMENSIONS & LEVELS ARE IN "MM" OR OTHERWISE SPECIFIED.
- COMPLY WITH THE REQUIREMENTS OF NFPA 72.
- FIRE ALARM DEVICES TO BE SAME / RECOMMENDED MAKE USED AT AIRPORT TO AVOID COMPATIBILITY ISSUES.
- FIRE ALARM SYSTEM LOOP CABLE TO BE SAME SIZE & TYPE AS USED BY AIRPORT.
- ABOVE CEILING DETECTORS TO BE RETAINED & RESPONSE INDICATOR (RI) TO BE PROVIDED AT FALSE CEILING FOR THE SAME.

ABBREVIATIONS

- BFV - BUTTERFLY VALVE
- WFS - WATER FLOW SWITCH

ALL DIMENSIONS MUST BE CHECKED ON SITE. INFORM THE ENGINEER OF ANY DISCREPANCIES PRIOR TO CONSTRUCTION.

NOTES:
IRRESPECTIVE OF THE DRAWING(S), IT IS THE CONTRACTOR'S OBLIGATION AND RESPONSIBILITY THAT SHALL BE EXECUTED AND COMPLETED IN ACCORDANCE TO THE SPECIFICATION, DRAWING(S) AS WELL AS REQUIREMENT. THE SAID DRAWING(S) SHALL NOT RELIEVE CONTRACTOR FROM ITS OBLIGATION UNDER THE CONTRACT AND IN PARTICULAR FROM ITS RESPONSIBILITY IN RELATION TO THE INSTALLATION MATERIALS AND WORKMANSHIP AND WHERE RELEVANT FROM A DUTY TO SEEK APPROVAL FROM THE COMPETENT AUTHORITY.



FIRE ALARM SCHEMATIC DIAGRAM

FIRE ALARM DETECTOR COVERAGE

REV	DATE	DESCRIPTION	AK	WJ	DSN	CHK
C01	10.05.24	GOOD FOR CONSTRUCTION				



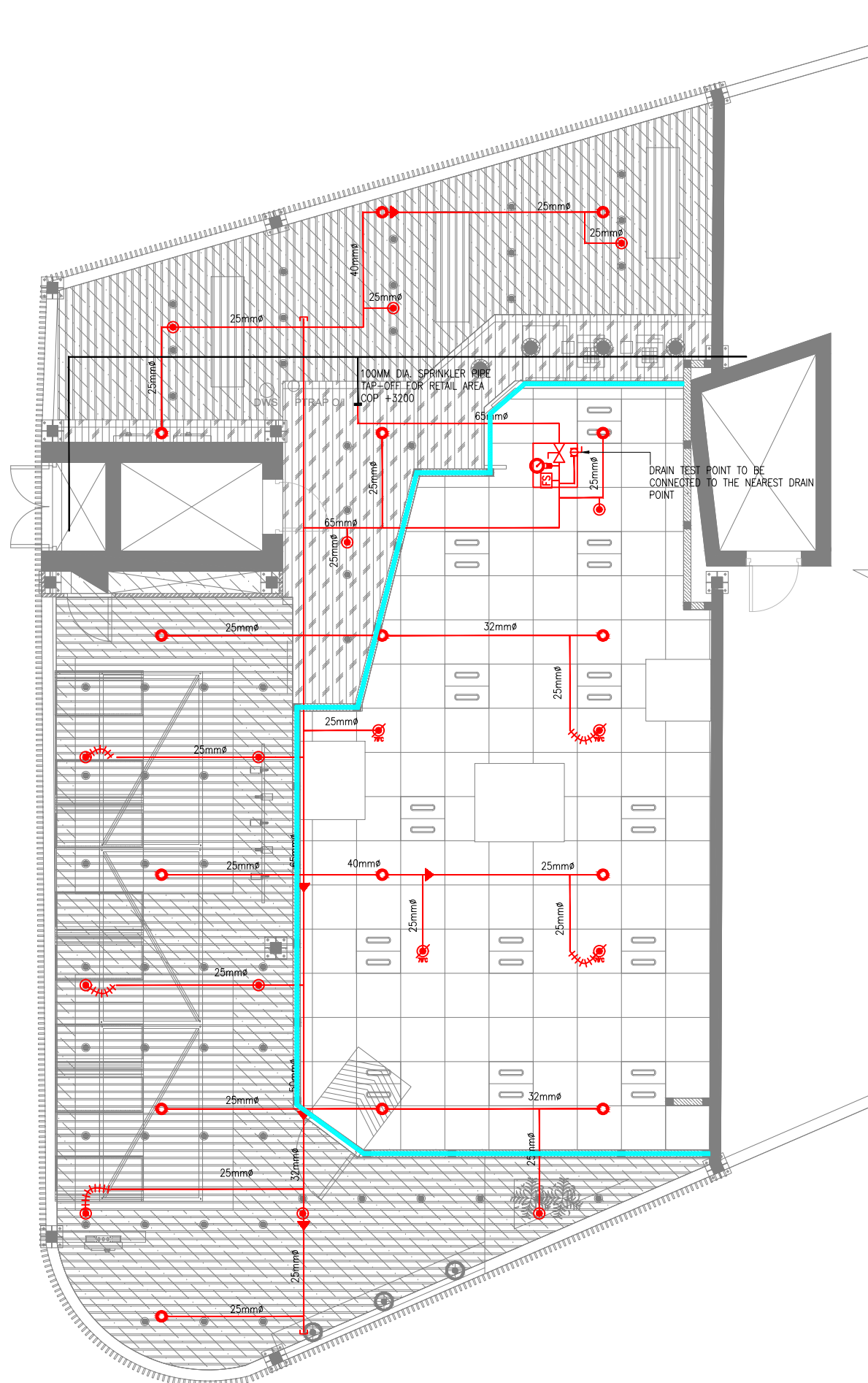
PROJECT
CARLSJR FF018
GMR INTERNATIONAL
AIRPORT LIMITED,
HYDERABAD

DRAWING TITLE
FIRE ALARM LAYOUT

SCALE 1:75 DATE 10.05.24 DESIGN/ AK A3 SHEET

STATUS
GOOD FOR CONSTRUCTION

ORG PROJECT NO DRAWING TYPE NUMBER REV
TFS 0000 ELEC F101 C01



FIRE SPRINKLER SYSTEM LEGEND		
SYMBOL	DESCRIPTION	QTY
	SPRINKLER HEAD UPRIGHT	15
	SPRINKLER HEAD PENDENT	12
	SPRINKLER HEAD PENDENT HIGH TEMPERATURE	04
	SPRINKLER BUTTERFLY VALVE (ISOLATION VALVE)	01
	SPRINKLER PIPE FLOW SWITCH	01
	SPRINKLER PIPE	--
	SPRINKLER PIPE EXISTING	--
	SPRINKLER PIPE REDUCER	--
	PRESSURE GAUGE	01
	SPRINKLER BALL VALVE - TEST DRAIN	01
	ACCESS DOOR - 300 x 300	01
	SPRINKLER PIPE FLEXIBLE CONNECTION	--

- NOTES:
- INSTALLATION WORKS FOR THE AUTOMATIC SPRINKLERS SYSTEM SHALL COMPLY WITH THE REQUIREMENTS OF NFPA 13.
 - ISOLATION VALVE SHALL BE CONSIDERED AT SPRINKLER TAPPING (PN16) AND TRAP DOOR SHALL BE PROVIDED FOR THE SAME FOR EASY MAINTENANCE.
 - M.S "C" CLASS PIPES SHALL BE USED FOR THE FF PIPES.
 - DRAIN PIPE WITH BALL VALVE TO BE PROVIDED AFTER THE ISOLATION VALVE FOR MAINTENANCE PURPOSE AS PER SITE CONDITION.
 - ALL FIRE SPRINKLER PENDANT SHALL HAVE A COVERAGE AREA APPROXIMATELY 24 SQ.METER.
 - PRESSURE GAUGE TO BE PROVIDED AFTER ISOLATION VALVE.

- ELBOW DOWN
- ELBOW UP
- TOP CONNECTION
- BOTTOM CONNECTION

ALL DIMENSIONS MUST BE CHECKED ON SITE.
INFORM THE ENGINEER OF ANY DISCREPANCIES PRIOR TO CONSTRUCTION.

NOTES:
IRRESPECTIVE OF THE DRAWING(S), IT IS THE CONTRACTOR'S OBLIGATION AND RESPONSIBILITY THAT SHALL BE EXECUTED AND COMPLETED IN ACCORDANCE TO THE SPECIFICATION, DRAWING(S) AS WELL AS REQUIREMENT. THE SAID DRAWING(S) SHALL NOT RELIEVE CONTRACTOR FROM ITS OBLIGATION UNDER THE CONTRACT AND IN PARTICULAR FROM ITS RESPONSIBILITY IN RELATION TO THE INSTALLATION MATERIALS AND WORKMANSHIP AND WHERE RELEVANT FROM A DUTY TO SEEK APPROVAL FROM THE COMPETENT AUTHORITY.

C00 02.05.24 GOOD FOR CONSTRUCTION ST MB
REV DATE DESCRIPTION DSN CHK



PROJECT
CARLSJR FF018
GMR INTERNATIONAL
AIRPORT LIMITED,
HYDERABAD

DRAWING TITLE
FIRE SPRINKLER LAYOUT

SCALE 1:75 DATE 02.05.24 DESIGN ST A3 SHEET

STATUS
GOOD FOR CONSTRUCTION

ORG PROJECT NO DRAWING TYPE NUMBER REV
TFS 0000 FIRE F201 C00

01 FIRE SPRINKLER LAYOUT
F201 1:75

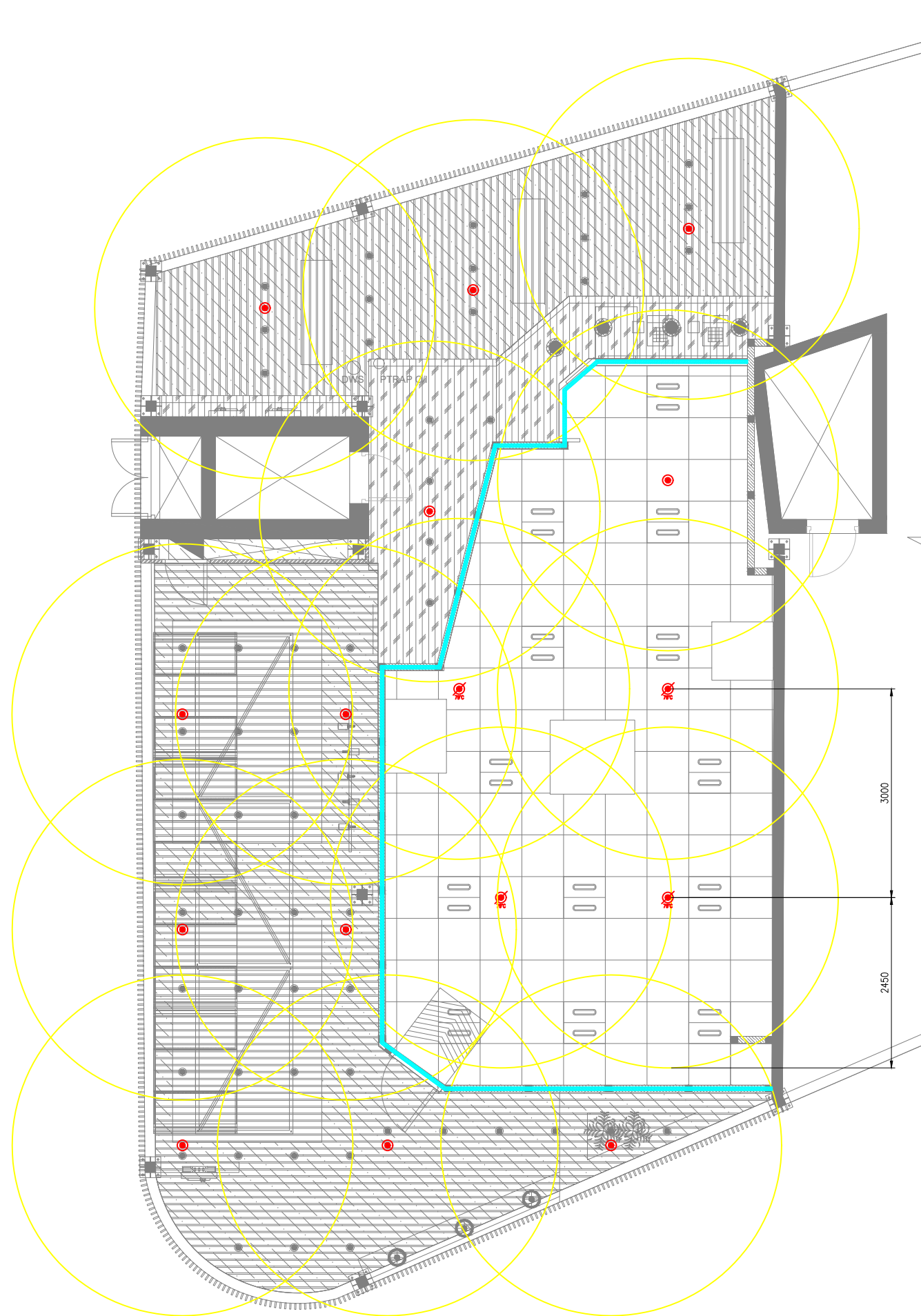
ALL DIMENSIONS MUST BE CHECKED ON SITE.
INFORM THE ENGINEER OF ANY DISCREPANCIES PRIOR TO CONSTRUCTION.

NOTES:
IRRESPECTIVE OF THE DRAWING(S), IT IS THE CONTRACTOR'S OBLIGATION AND RESPONSIBILITY THAT SHALL BE EXECUTED AND COMPLETED IN ACCORDANCE TO THE SPECIFICATION, DRAWING(S) AS WELL AS REQUIREMENT. THE SAID DRAWING(S) SHALL NOT RELIEVE CONTRACTOR FROM ITS OBLIGATION UNDER THE CONTRACT AND IN PARTICULAR FROM ITS RESPONSIBILITY IN RELATION TO THE INSTALLATION MATERIALS AND WORKMANSHIP AND WHERE RELEVANT FROM A DUTY TO SEEK APPROVAL FROM THE COMPETENT AUTHORITY.

FIRE SPRINKLER SYSTEM LEGEND		
SYMBOL	DESCRIPTION	QTY
	SPRINKLER HEAD UPRIGHT	15
	SPRINKLER HEAD PENDENT	12
	SPRINKLER HEAD PENDENT HIGH TEMPERATURE	04
	SPRINKLER BUTTERFLY VALVE (ISOLATION VALVE)	01
	SPRINKLER PIPE FLOW SWITCH	01
	SPRINKLER PIPE	--
	SPRINKLER PIPE EXISTING	--
	SPRINKLER PIPE REDUCER	--
	PRESSURE GAUGE	01
	SPRINKLER BALL VALVE - TEST DRAIN	01
	ACCESS DOOR - 300 x 300	01
	SPRINKLER PIPE FLEXIBLE CONNECTION	--

- NOTES:
- INSTALLATION WORKS FOR THE AUTOMATIC SPRINKLERS SYSTEM SHALL COMPLY WITH THE REQUIREMENTS OF NFPA 13.
 - ISOLATION VALVE SHALL BE CONSIDERED AT SPRINKLER TAPPING (PN16) AND TRAP DOOR SHALL BE PROVIDED FOR THE SAME FOR EASY MAINTENANCE.
 - M.S "C" CLASS PIPES SHALL BE USED FOR THE FF PIPES.
 - DRAIN PIPE WITH BALL VALVE TO BE PROVIDED AFTER THE ISOLATION VALVE FOR MAINTENANCE PURPOSE AS PER SITE CONDITION.
 - ALL FIRE SPRINKLER PENDANT SHALL HAVE A COVERAGE AREA APPROXIMATELY 24 SQ.METER.
 - PRESSURE GAUGE TO BE PROVIDED AFTER ISOLATION VALVE.

- ELBOW DOWN
- ELBOW UP
- TOP CONNECTION
- BOTTOM CONNECTION



01 FIRE SPRINKLER LAYOUT - PENDENT COVERAGE
F202 1:75

REV	DATE	DESCRIPTION	ST	MB	DSN	CHK
C00	02.05.24	GOOD FOR CONSTRUCTION				



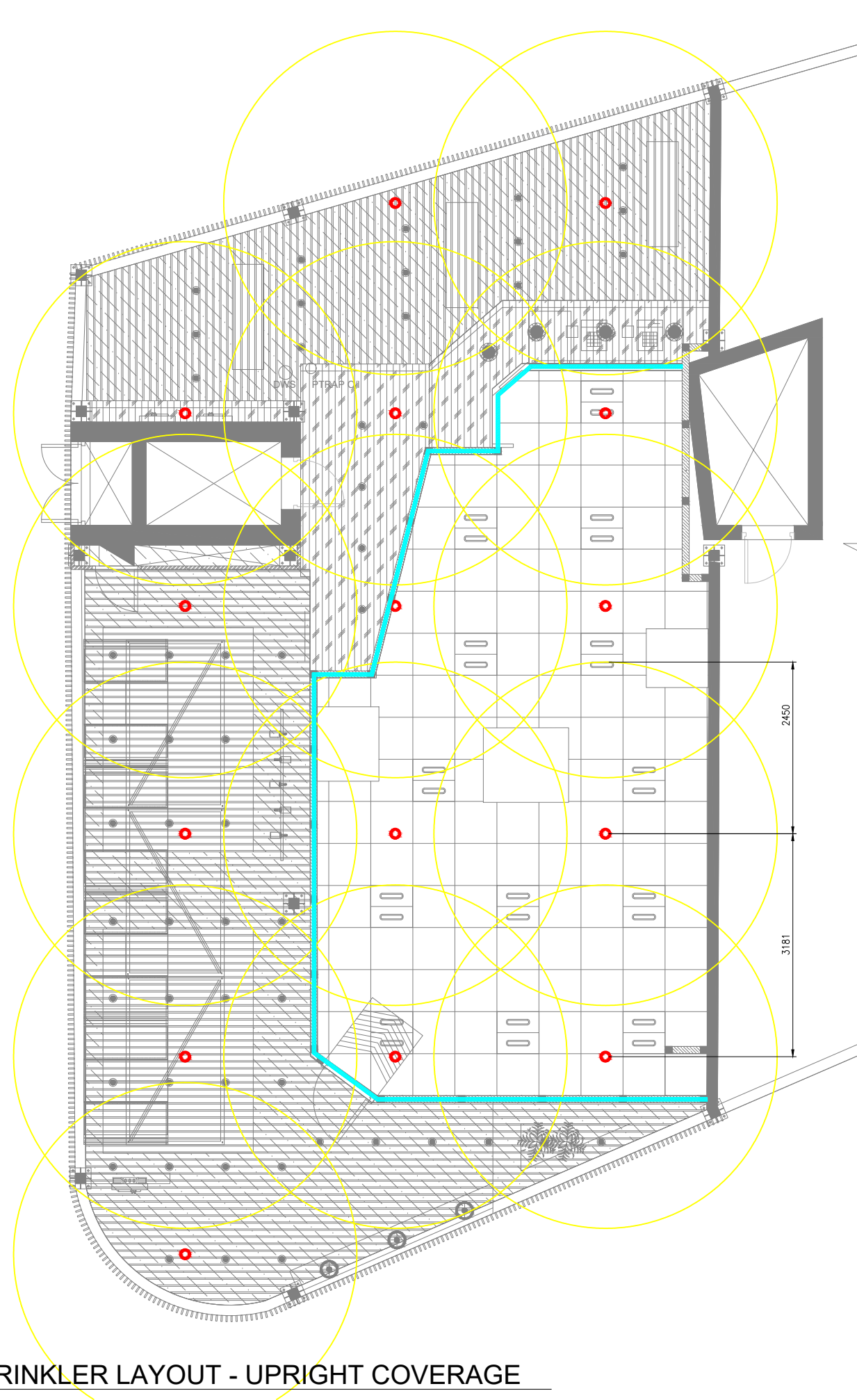
PROJECT
CARLSJR FF018
GMR INTERNATIONAL
AIRPORT LIMITED,
HYDERABAD

DRAWING TITLE
FIRE SPRINKLER LAYOUT
PENDENT COVERAGE

SCALE 1:75 DATE 02.05.24 DESIGN ST A3 SHEET

STATUS
GOOD FOR CONSTRUCTION

ORG	PROJECT NO	DRAWING TYPE	NUMBER	REV
TFS	0000	FIRE	F202	C00



FIRE SPRINKLER SYSTEM LEGEND		
SYMBOL	DESCRIPTION	QTY
	SPRINKLER HEAD UPRIGHT	15
	SPRINKLER HEAD PENDENT	12
	SPRINKLER HEAD PENDENT HIGH TEMPERATURE	04
	SPRINKLER BUTTERFLY VALVE (ISOLATION VALVE)	01
	SPRINKLER PIPE FLOW SWITCH	01
	SPRINKLER PIPE	--
	SPRINKLER PIPE EXISTING	--
	SPRINKLER PIPE REDUCER	--
	PRESSURE GAUGE	01
	SPRINKLER BALL VALVE - TEST DRAIN	01
	ACCESS DOOR - 300 x 300	01
	SPRINKLER PIPE FLEXIBLE CONNECTION	--

- NOTES:
- INSTALLATION WORKS FOR THE AUTOMATIC SPRINKLERS SYSTEM SHALL COMPLY WITH THE REQUIREMENTS OF NPFA 13.
 - ISOLATION VALVE SHALL BE CONSIDERED AT SPRINKLER TAPPING (PN16) AND TRAP DOOR SHALL BE PROVIDED FOR THE SAME FOR EASY MAINTENANCE.
 - M.S "C" CLASS PIPES SHALL BE USED FOR THE FF PIPES.
 - DRAIN PIPE WITH BALL VALVE TO BE PROVIDED AFTER THE ISOLATION VALVE FOR MAINTENANCE PURPOSE AS PER SITE CONDITION.
 - ALL FIRE SPRINKLER PENDANT SHALL HAVE A COVERAGE AREA APPROXIMATELY 24 SQ.METER.
 - PRESSURE GAUGE TO BE PROVIDED AFTER ISOLATION VALVE.

- ELBOW DOWN
- ELBOW UP
- TOP CONNECTION
- BOTTOM CONNECTION

ALL DIMENSIONS MUST BE CHECKED ON SITE.
INFORM THE ENGINEER OF ANY DISCREPANCIES PRIOR TO CONSTRUCTION.

NOTES:
IRRESPECTIVE OF THE DRAWING(S), IT IS THE CONTRACTOR'S OBLIGATION AND RESPONSIBILITY THAT SHALL BE EXECUTED AND COMPLETED IN ACCORDANCE TO THE SPECIFICATION, DRAWING(S) AS WELL AS REQUIREMENT. THE SAID DRAWING(S) SHALL NOT RELIEVE CONTRACTOR FROM ITS OBLIGATION UNDER THE CONTRACT AND IN PARTICULAR FROM ITS RESPONSIBILITY IN RELATION TO THE INSTALLATION MATERIALS AND WORKMANSHIP AND WHERE RELEVANT FROM A DUTY TO SEEK APPROVAL FROM THE COMPETENT AUTHORITY.

COO 02.05.24 GOOD FOR CONSTRUCTION ST MB
REV DATE DESCRIPTION DSN CHK



PROJECT
CARLSJR FF018
GMR INTERNATIONAL
AIRPORT LIMITED,
HYDERABAD

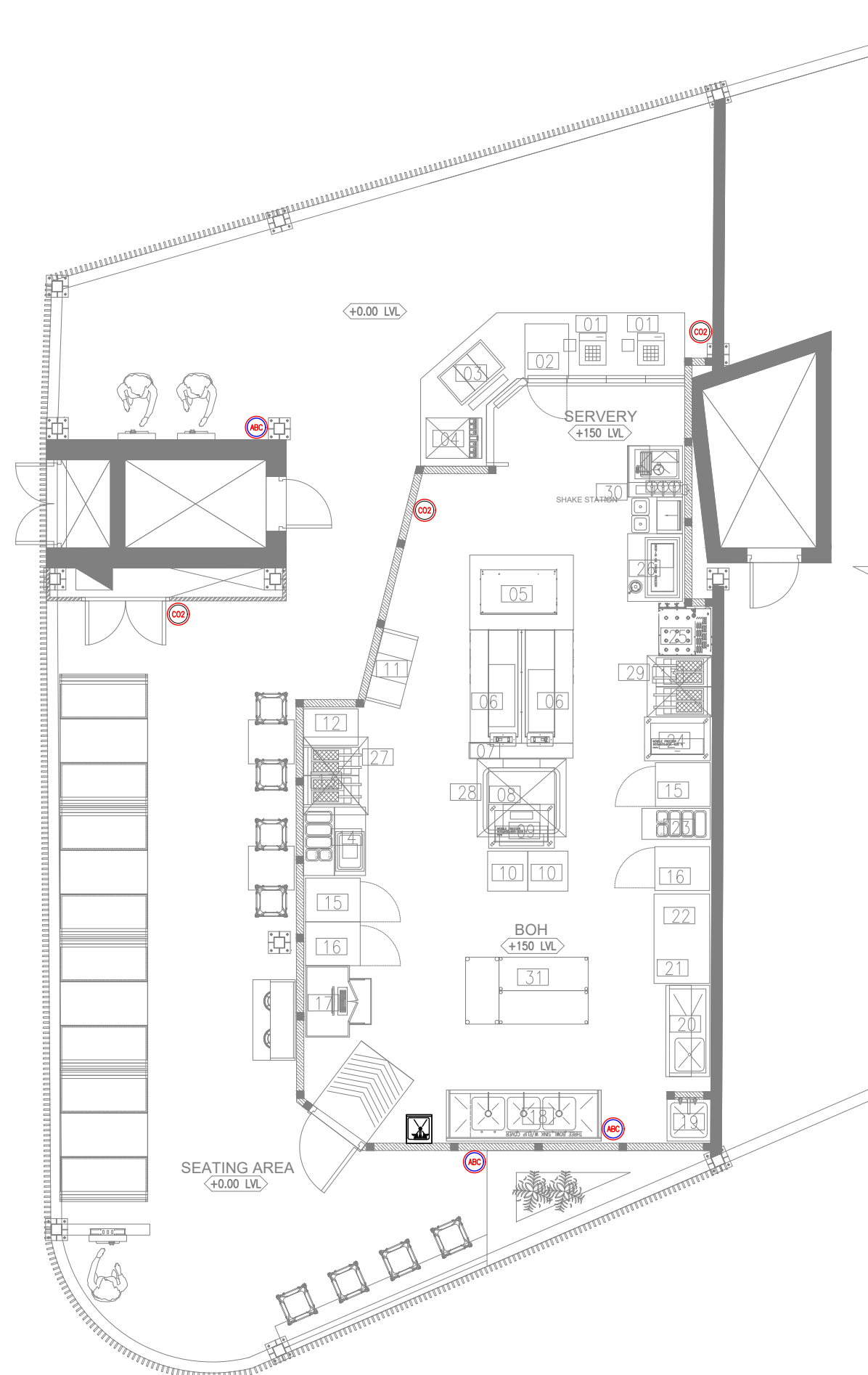
DRAWING TITLE
FIRE SPRINKLER LAYOUT
UPRIGHT COVERAGE

SCALE 1:75 DATE 02.05.24 DESIGN ST A3 SHEET

STATUS
GOOD FOR CONSTRUCTION

ORG PROJECT NO DRAWING TYPE NUMBER REV
TFS 0000 FIRE FF20300

01 FIRE SPRINKLER LAYOUT - UPRIGHT COVERAGE
F203 1:75



FIRE EXTINGUISHERS LEGEND		
SYMBOL	DESCRIPTION	QTY
	FIRE EXTINGUISHER_CLASS ABC (DRY POWDER) – 4 KG	03
	FIRE EXTINGUISHER_CLASS BC (CO2) – 3.0 KG	03

NOTES:

- FIRE EXTINGUISHER SHALL BE INSTALLED IN LOCATION WHERE THEY ARE VISIBLE
- FIRE EXTINGUISHER SHALL BE CONSPICUOUSLY LOCATED WHERE THEY ARE READILY ACCESSIBLE AND IMMEDIATELY AVAILABLE IN THE EVENT OF FIRE.
- FIRE EXTINGUISHER SHALL BE INSTALLED SO THAT THE FIRE EXTINGUISHER'S OPERATING INSTRUCTIONS FACE OUTWARD.
- FIRE EXTINGUISHER SHALL BE INSTALLED SO THAT IN NO CASES THE TOP OF THE EXTINGUISHER IS NOT MORE THAT 1500MM ABOVE THE FLOOR LEVEL OR THE CLEARANCE BETWEEN THE BOTTOM OF THE HAND PORTABLE FIRE EXTINGUISHER AND THE FLOOR BE LESS THAN 100MM.
- SIGNS OR OTHER MEANS USED TO INDICATE FIRE EXTINGUISHER LOCATION SHALL BE LOCATED IN CLOSE PROXIMITY TO THE EXTINGUISHER AND SHALL BE VISIBLE FROM THE NORMAL PATH OF TRAVEL.
- ALL FIRE EXTINGUISHER SIGNS TO BE PROVIDED WITH NIGHT GLOW.

ALL DIMENSIONS MUST BE CHECKED ON SITE.
INFORM THE ENGINEER OF ANY DISCREPANCIES PRIOR TO CONSTRUCTION.

NOTES:
IRRESPECTIVE OF THE DRAWING(S), IT IS THE CONTRACTOR'S OBLIGATION AND RESPONSIBILITY THAT SHALL BE EXECUTED AND COMPLETED IN ACCORDANCE TO THE SPECIFICATION, DRAWING(S) AS WELL AS REQUIREMENT. THE SAID DRAWING(S) SHALL NOT RELIEVE CONTRACTOR FROM ITS OBLIGATION UNDER THE CONTRACT AND IN PARTICULAR FROM ITS RESPONSIBILITY IN RELATION TO THE INSTALLATION MATERIALS AND WORKMANSHIP AND WHERE RELEVANT FROM A DUTY TO SEEK APPROVAL FROM THE COMPETENT AUTHORITY.

REV	DATE	DESCRIPTION	ST	MB	DSN	CHK
C00	02.05.24	GOOD FOR CONSTRUCTION				



PROJECT
CARLSJR FF018
GMR INTERNATIONAL
AIRPORT LIMITED,
HYDERABAD

DRAWING TITLE
FIRE EXTINGUISHER LAYOUT

SCALE 1:75 DATE 02.05.24 DESIGN ST A3 SHEET

STATUS
GOOD FOR CONSTRUCTION

ORG	PROJECT NO	DRAWING TYPE	NUMBER	REV
TFS	0000	FIRE	F301	C00

01 FIRE EXTINGUISHER LAYOUT
F301 1:75