

C:\Users\ADMIN\Desktop\New folder\METKUT 2 THANE\MULUNDNN LOGO.jpg

# N.N.DESIGN

KITCHEN, BAR& INTERIOR DESIGN CONSULTANT  
EMAIL - NIKHILNAIK33@GMAIL.COM  
CELL - 9664530045  
OFFICE NO. 22 KHYATI INDUSTRIAL ESTATE  
BANGUR NAGAR GOREGAON WEST MUM 104

SR.NO : 01

QTY : 03 NO

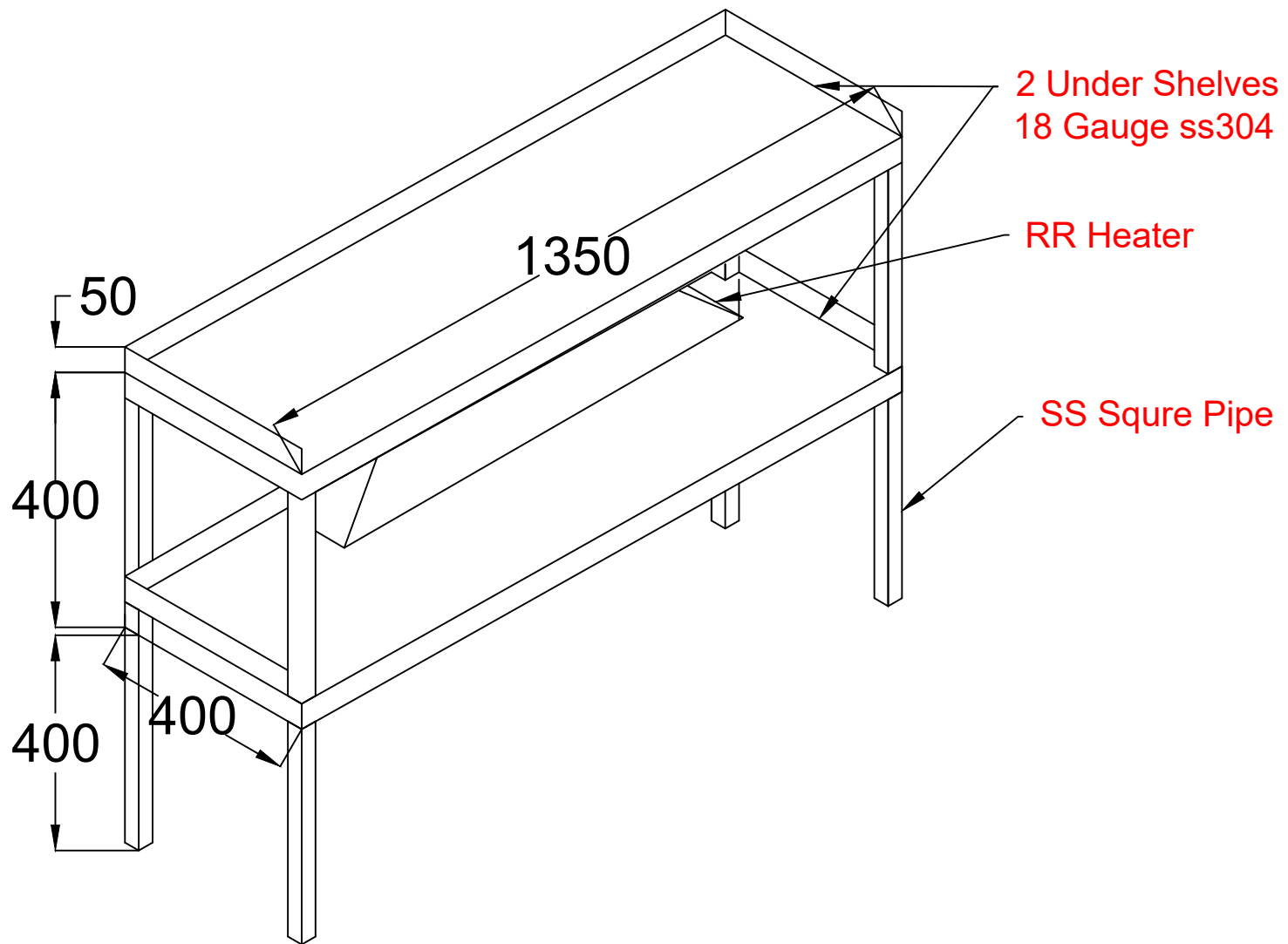
DATE: 01/04/2024

EQUIPMENT NAME : Double Overhead Shelf

EQUIPMENT SIZE : 1350x400x400+400+50

REVISION -

SIGN -



ISOMETRIC