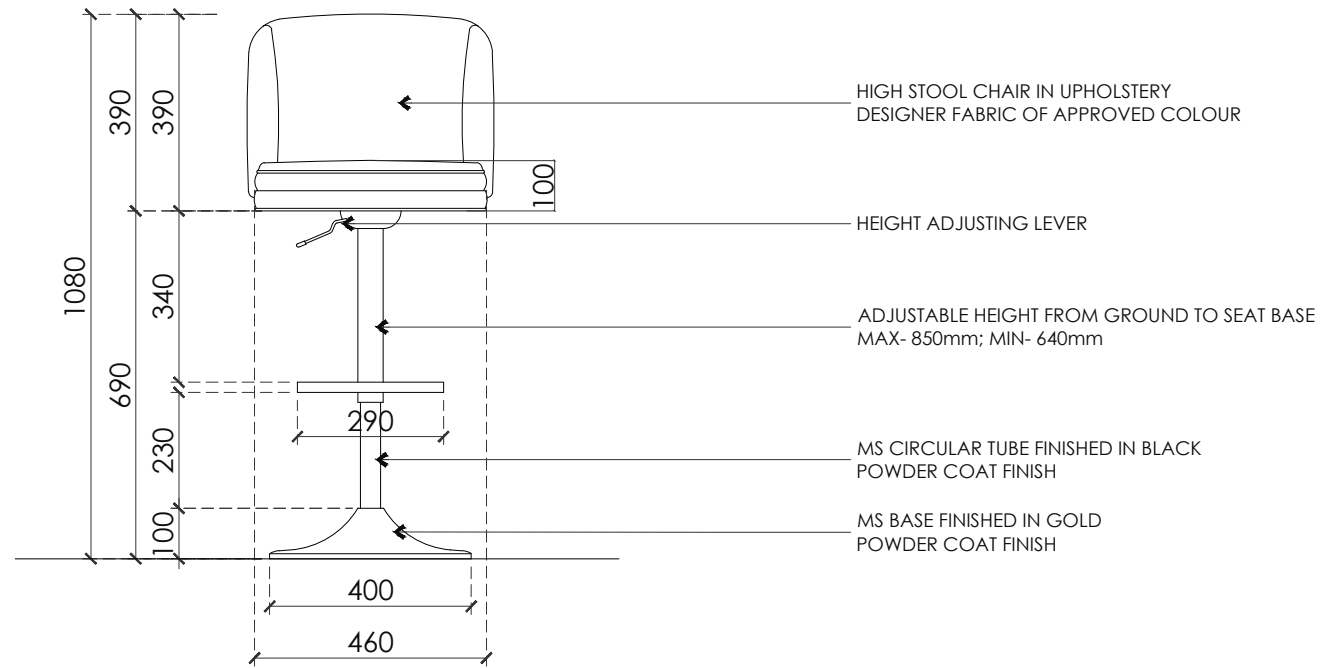
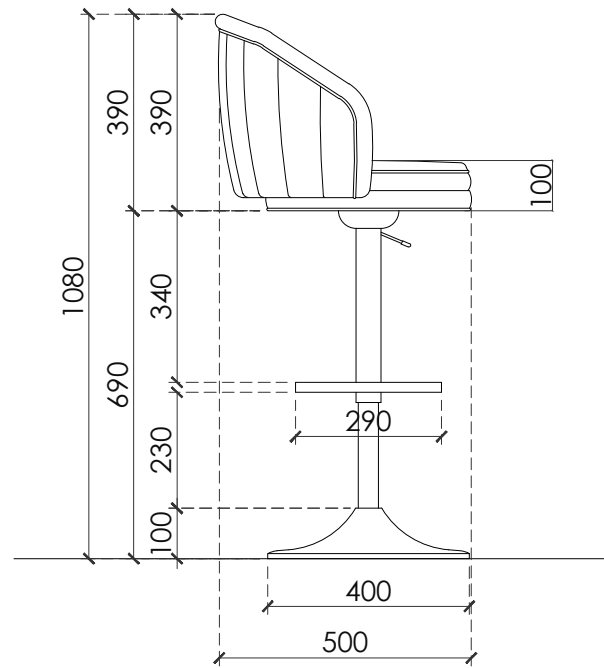


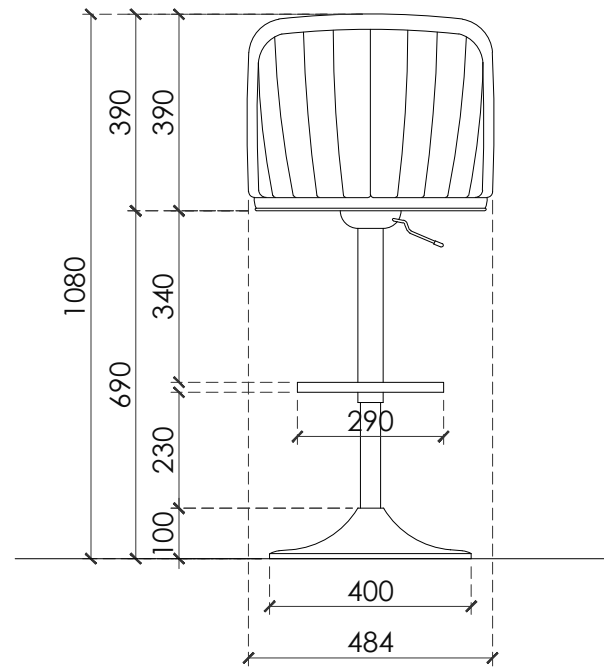
PLAN



FRONT ELEVATION



SIDE ELEVATION



BACK ELEVATION

- GENERAL NOTES:
1. ALL DIMENSIONS ARE IN MILLIMETERS UNLESS NOTED OTHERWISE. ALL DIMENSIONS TO BE VERIFIED ON SITE & APPROVED BY THE SUPERVISOR.
  2. DO NOT TAKE DIRECT MEASUREMENTS FROM THIS DRAWINGS.
  3. THIS DRAWING SHOULD BE READ IN CONJUNCTION WITH OTHER RELEVANT ARCHITECTURAL, STRUCTURAL, MECHANICAL AND ELECTRICAL DRAWINGS AND ALL RELEVANT SECTIONS OF THE SPECIFICATIONS.
  4. CONTRACTOR TO PROVIDE THEIR SHOP DRAWINGS FOR APPROVAL.
  5. NO PART OF THE DRAWING AND DESIGN CONTAINED HEREIN MAY BE REPRODUCE WITHOUT ANY CONSENT OF **AJ KITCHEN**.

LEGEND:

REVISION

REV	DESCRIPTION	DATE
-	-	-
-	-	-
-	-	-
-	-	-
-	-	-

CLIENT:

AJ KITCHENS

PROJECT NAME:

AJ1881 CAFE

LOCATION:

L-46, T1  
AHMEDABAD AIRPORT

DRAWING TITLE:

TYPICAL HIGH STOOL DETAIL

DRAWN BY: AC

CHECKED BY: QA

APPROVED BY: AD

DATE: 16-Jan-24

SHEET SIZE: A3

SCALE: 1:15

REVISION: 00

SHEET NO: 06-AJI-AA-DD-6.0

AJ1881 CAFE  
**1** TYPICAL HIGH STOOL DETAIL  
 DD-6.0 SCALE 1:15 @ A3