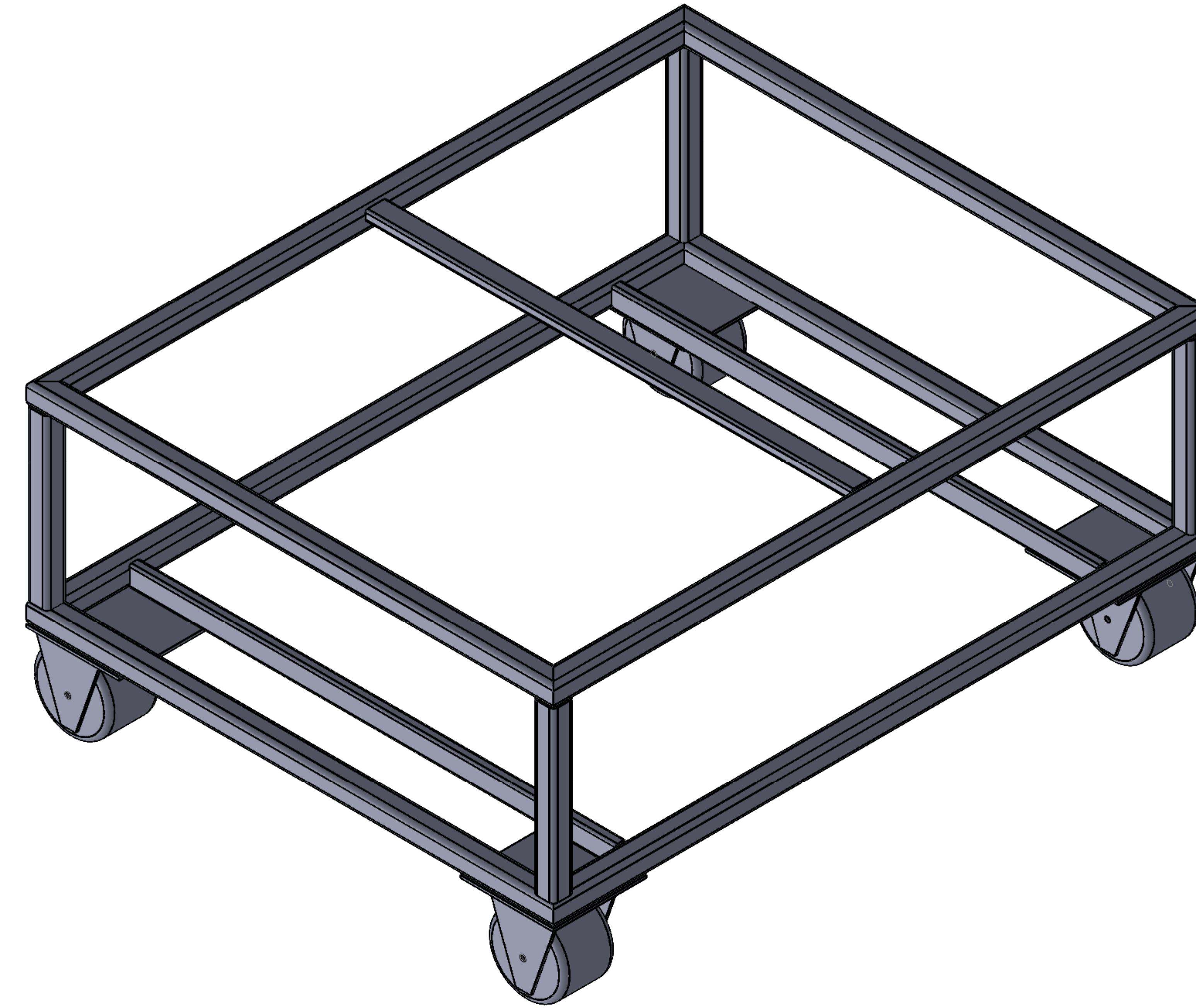
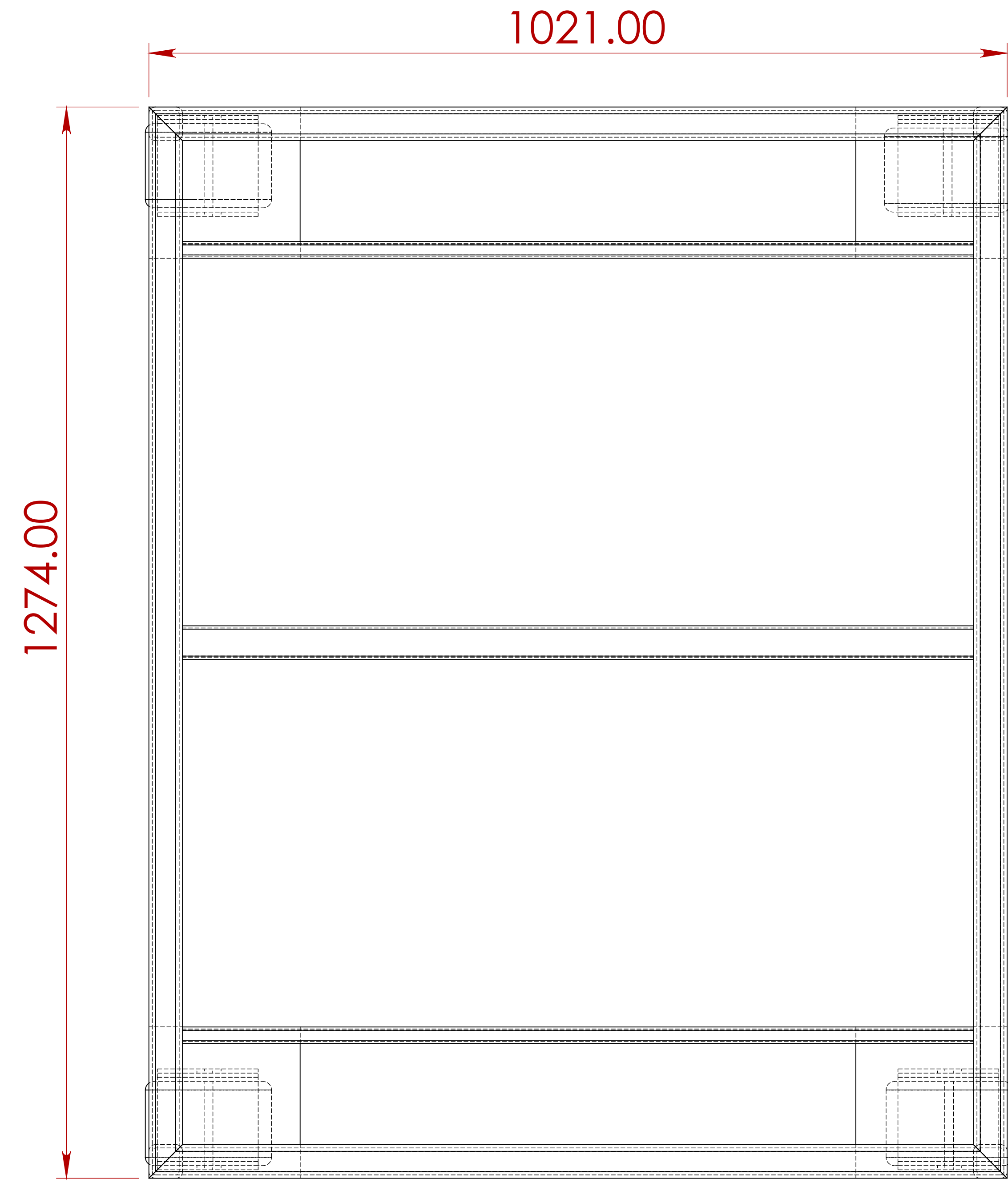
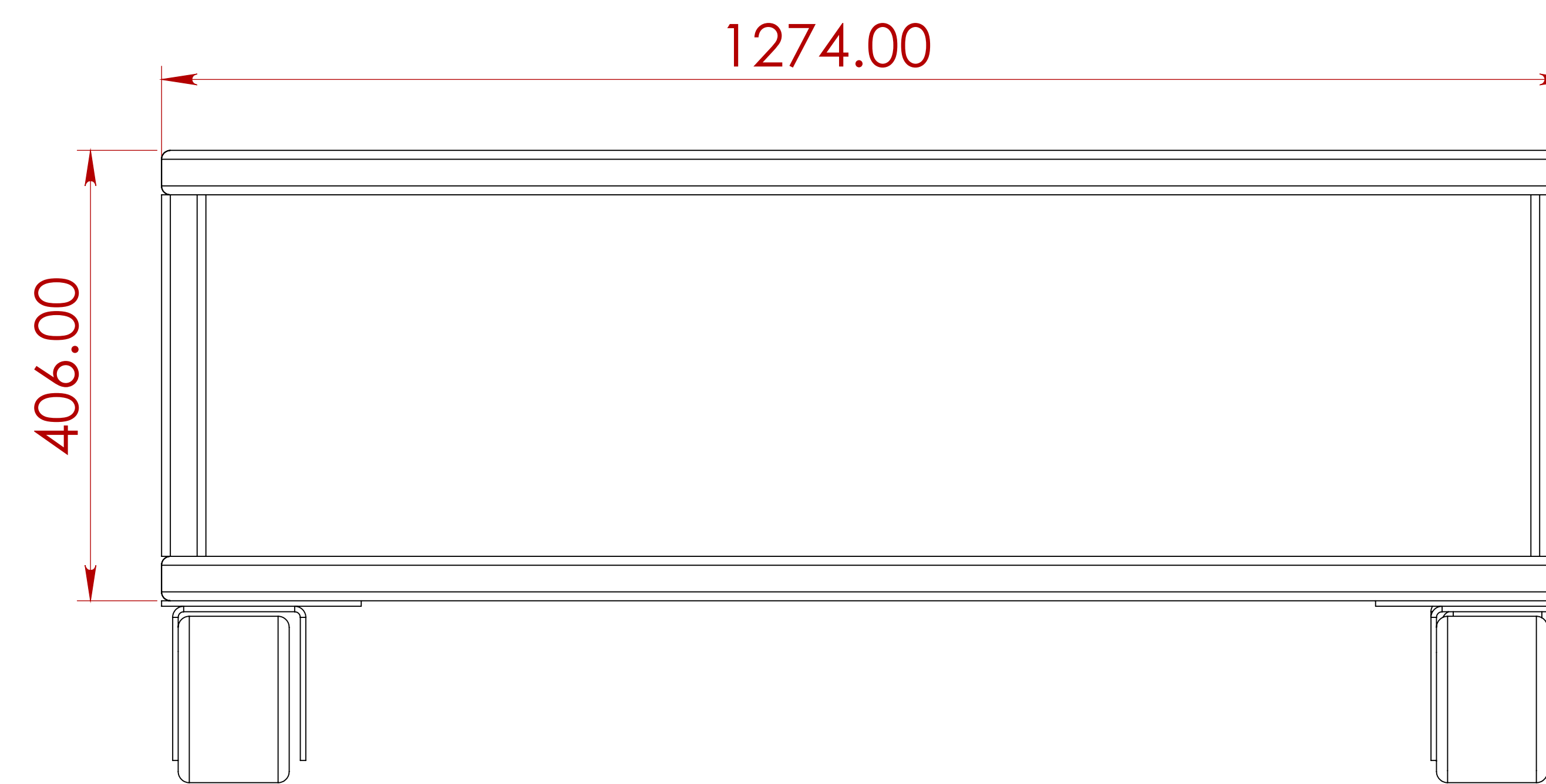
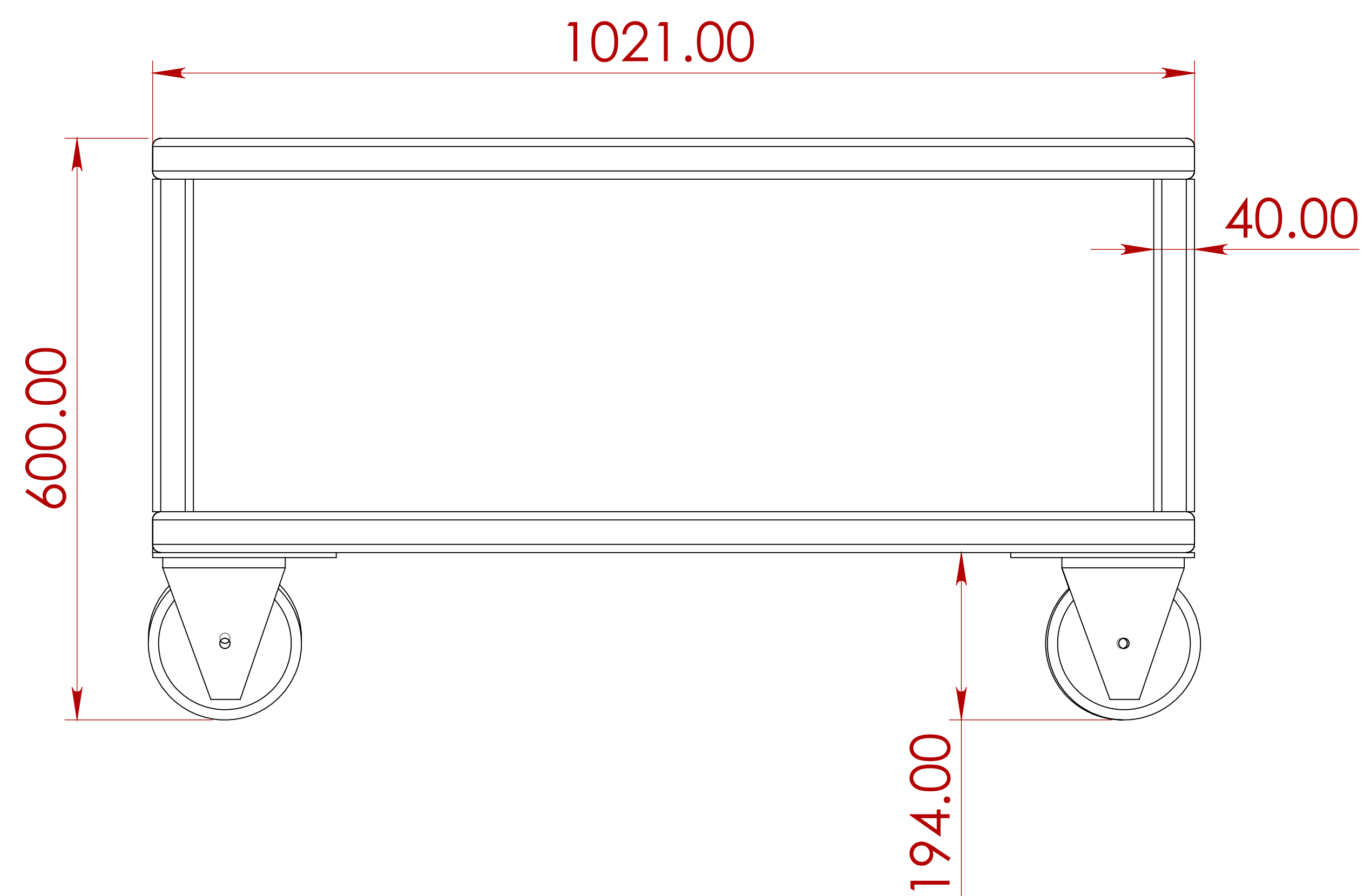


NOTE:

1. MATERIAL TO BE FREE OF DEFECTS, SCRATCHES, BUR AND SHARP EDGE etc.
2. FOR FURTHER DETAIL & DIMENSION, REFER TO 3D FILES.
3. WELDING TO BE UNIFORM & WELD SPATTERS TO BE REMOVED.



PIPE SIZE:- 40X40X1.5MM



RP Lasertech Pvt. Ltd.

Plot no.139 Sector 3 IMT,Manesar Gurugram -122051,Haryana
WWW.rplasertech.com Landline: 0124-4032005

| | | | | | | | |
|---|---------|-----------|-----------|------------|----------------------------|--------------------------|----------------|
| CUSTOMER NAME: JUBILANT FOOD | | | | | PART NO: NA | | WEIGHT- KG |
| PROJECT NAME: OVEN TROLLEY XNT-3240 | | | | | MATERIAL: SS-202 | | REVISION : NA |
| PART NAME : NA | | | | | THICKNESS: NA | | |
| DRAWN BY | CHECKED | APPROVED | Q.A. | DATE | MFG. PROCESS : SHEET METAL | | |
| ANJANI | ANJANI | MR. ROHAN | SUSHIL | 15-Jul-23 | SURFACE FINISH : NA | | SCALE : 1:5 |
| GENERAL TOLERANCES SHALL BE AS PER STANDARD | | | | | SURFACE COLOUR : | | SHEET SIZE: A0 |
| 0...6 | 6...30 | 30...120 | 120...400 | 400...1000 | 1000...2000 | DO NOT SCALE THE DRAWING | SHEET 1 OF 1 |
| ± 0.1 | ± 0.2 | ± 0.3 | ± 0.5 | ± 0.8 | ± 1.2 | | |

THE INFORMATION CONTAINED IN THIS DRAWING IS THE SOLE PROPERTY OF RP LASERTECH PVT LTD. ANY REPRODUCTION IN PART OR AS A WHOLE (ASSEMBLY) WITHOUT THE WRITTEN PERMISSION OF RP LASERTECH IS PROHIBITED.

ALL DIMENSIONS ARE IN MM OTHERWISE SPECIFIED