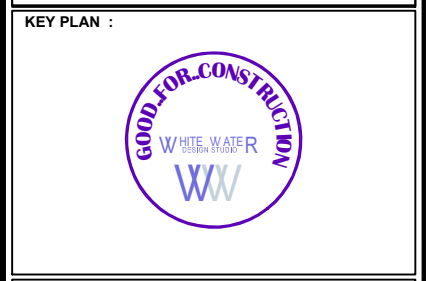


- NOTES :**
- THE COPYRIGHT OF THIS DRAWING REMAINS WITH WHITE WATER DESIGN STUDIO AND IT MAY NOT BE REPRODUCED IN ANY WHICH MANNER WITHOUT PRIOR WRITTEN CONSENT.
- FIGURED DIMENSIONS ARE TO BE USED IN PREFERENCES TO SCALED SIZES. ALL DIMENSIONS MUST BE CHECKED BEFORE COMMENCING WORK ON SITE.
 - THIS DRAWINGS TO BE READ IN CONJUNCTION WITH ALL OTHER RELEVANT DRAWINGS.
 - ALL PROPOSED WORKS TO BE CARRIED OUT IN ACCORDANCE WITH TECHNICAL SPECIFICATIONS AND SCHEDULES MENTIONED FOR INTERIOR WORKS.
 - READ THIS DRAWING IN CONJUNCTION WITH ALL CONSULTANTS' & SPECIALISTS' DRAWINGS, DETAILS, SCHEDULES & SPECIFICATIONS FOR :
 - SPRINKLER INSTALLATION
 - AUTOMATIC FIRE DETECTION SYSTEMS
 - AIR CONDITIONING SYSTEM & DISTRIBUTION (HVAC)
 - EMERGENCY LIGHTING
 - PRIMARY WIRING DESIGN & DISTRIBUTION
 - ALL WORK IS TO BE CARRIED OUT STRICTLY IN ACCORDANCE WITH IS STANDARDS (WHERE APPLICABLE) & BEST TRADE PRACTICES. ALL WORK MUST SATISFY THE REQUIREMENTS OF THE LOCAL AUTHORITIES.
 - WHITE WATER DESIGN STUDIO TO APPROVE ALL CONTRACTORS' SETTINGS OUT & ALL CO-ORDINATION SHOP DRAWINGS PRIOR TO ALL MANUFACTURERS, CONTRACTORS, INSTALLERS & SPECIALISTS TO BE RESPONSIBLE FOR ENSURING THAT ALL OF THEIR COMMENCEMENT OF INSTALLATION
 - WORKS FULLY COMPLY WITH THE REQUIREMENTS OF THE LOCAL AUTHORITIES & FIRE DEPARTMENT & THAT ALL SAFETY STANDARDS ARE MET THROUGHOUT.
 - ALL FIT-OUT CONTRACTORS & SPECIALISTS TO PREPARE FULL SHOP DRAWINGS WITH SPECIFIC REFERENCE TO SITE CONDITIONS FOR WHITE WATER DESIGN STUDIO APPROVAL PRIOR TO MANUFACTURE & INSTALLATION AS APPROPRIATE TO THEIR TASK.



AMMENDMENTS :

S.NO.	REV.DATE	DESCRIPTION
1.	18.10.2023	PART GFC - R0
2.	03.11.2023	PART GFC - R1
3.	30.11.2023	GFC

DRAWING NO :
KFC-AIR-DL-PLU-CCDL-01 R0

DRAWING TITLE :
CORE CUT DETAILS LAYOUT

LOCATION :
DELHI

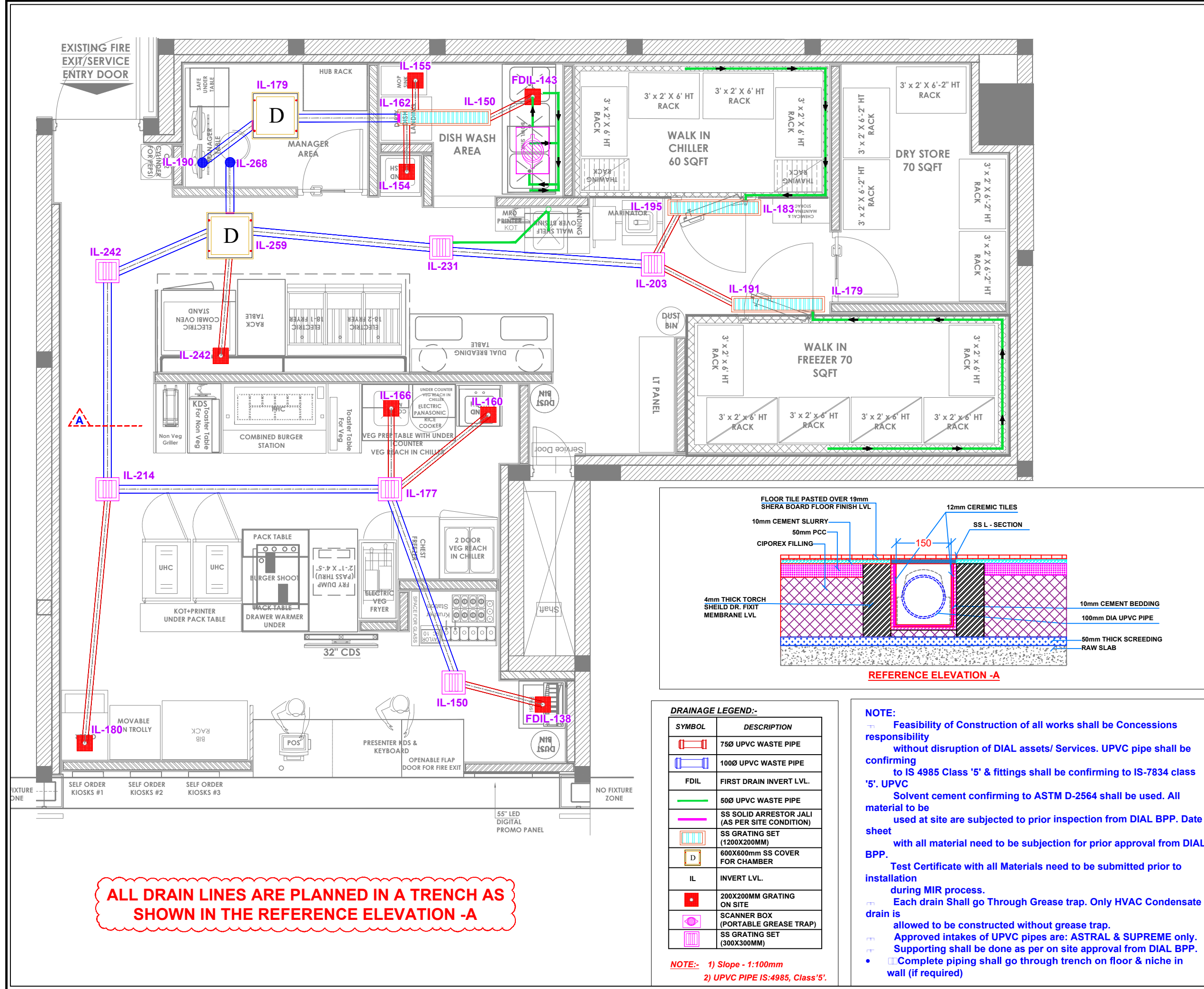
DATE : 30.11.2023
SCALE : NTS
DRN. BY : VAIBHAV
CHKD. BY : RITESH

PROJECT :
KFC, AIRPORT @ DELHI.

CLIENT :
TRAVEL FOOD SERVICE



HEAD OFFICE:-
 Anchorage, off Govandi Station Rd
 Near Amarnath Patil Ground, Govandi-(E)
 Mumbai 400 088
 TEL: +91 22 6740 7640.
 Email: studio@whitewaterdesign.in



NOTES :

THE COPYRIGHT OF THIS DRAWING REMAINS WITH WHITE WATER DESIGN STUDIO AND IT MAY NOT BE REPRODUCED IN ANY WHICH MANNER WITHOUT PRIOR WRITTEN CONSENT.

- FIGURED DIMENSIONS ARE TO BE USED IN PREFERENCES TO SCALED SIZES. ALL DIMENSIONS MUST BE CHECKED BEFORE COMMENCING WORK ON SITE.
- THIS DRAWINGS TO BE READ IN CONJUNCTION WITH ALL OTHER RELEVANT DRAWINGS.
- ALL PROPOSED WORKS TO BE CARRIED OUT IN ACCORDANCE WITH TECHNICAL SPECIFICATIONS AND SCHEDULES MENTIONED FOR INTERIOR WORKS.
- READ THIS DRAWING IN CONJUNCTION WITH ALL CONSULTANTS' & SPECIALISTS' DRAWINGS, DETAILS, SCHEDULES & SPECIFICATIONS FOR :
 i. SPRINKLER INSTALLATION
 ii. AUTOMATIC FIRE DETECTION SYSTEMS
 iii. AIR CONDITIONING SYSTEM & DISTRIBUTION (HVAC)
 iv. EMERGENCY LIGHTING
 v. PRIMARY WIRING DESIGN & DISTRIBUTION
- ALL WORK IS TO BE CARRIED OUT STRICTLY IN ACCORDANCE WITH IS STANDARDS (WHERE APPLICABLE) & BEST TRADE PRACTICES. ALL WORK MUST SATISFY THE REQUIREMENTS OF THE LOCAL AUTHORITIES.
- WHITE WATER DESIGN STUDIO TO APPROVE ALL CONTRACTORS' SETTINGS OUT & ALL CO-ORDINATION SHOP DRAWINGS PRIOR TO ALL MANUFACTURERS, CONTRACTORS, INSTALLERS & SPECIALISTS TO BE RESPONSIBLE FOR ENSURING THAT ALL OF THEIR COMMENCEMENT OF INSTALLATION
- WORKS FULLY COMPLY WITH THE REQUIREMENTS OF THE LOCAL AUTHORITIES & FIRE DEPARTMENT & THAT ALL SAFETY STANDARDS ARE MET THROUGHOUT.
- ALL FIT-OUT CONTRACTORS & SPECIALISTS TO PREPARE FULL SHOP DRAWINGS WITH SPECIFIC REFERENCE TO SITE CONDITIONS FOR WHITE WATER DESIGN STUDIO APPROVAL PRIOR TO MANUFACTURE & INSTALLATION AS APPROPRIATE TO THEIR TASK.



AMMENDMENTS :

S.NO.	REV.DATE	DESCRIPTION
1.	18.10.2023	PART GFC - R0
2.	03.11.2023	PART GFC - R1
3.	30.11.2023	GFC

DRAWING NO :
KFC-AIR-DL-PLU-DRL-02 **R0**

DRAWING TITLE :
DRAINAGE LAYOUT

LOCATION :
DELHI

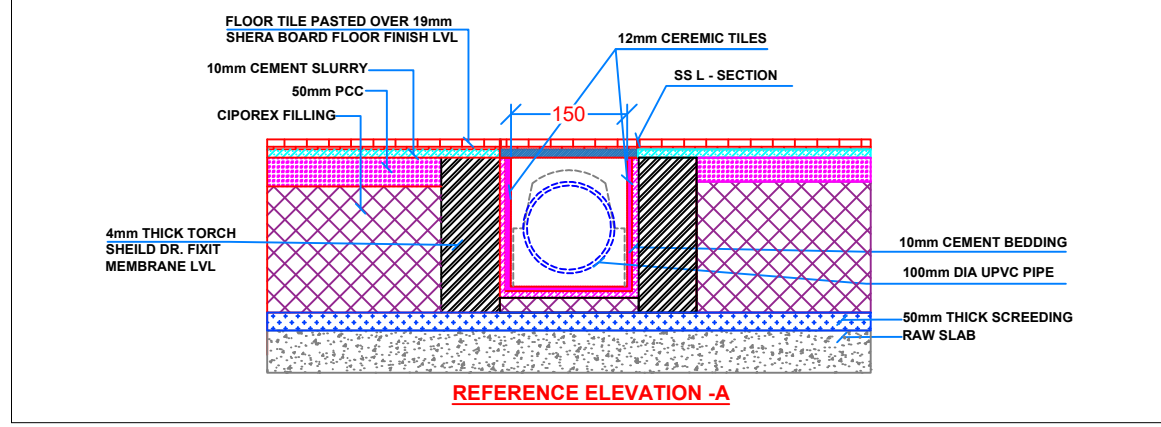
DATE : 30.11.2023
SCALE : NTS
DRN. BY : VAIBHAV
CHKD. BY : RITESH

PROJECT :
KFC, AIRPORT @ DELHI.

CLIENT :
TRAVEL FOOD SERVICE



HEAD OFFICE:-
 Anchorage, off Govandi Station Rd
 Near Amarnath Patil Ground, Govandi-(E)
 Mumbai 400 088
 TEL: +91 22 6740 7640.
 Email: studio@whitewaterdesign.in



DRAINAGE LEGEND:-

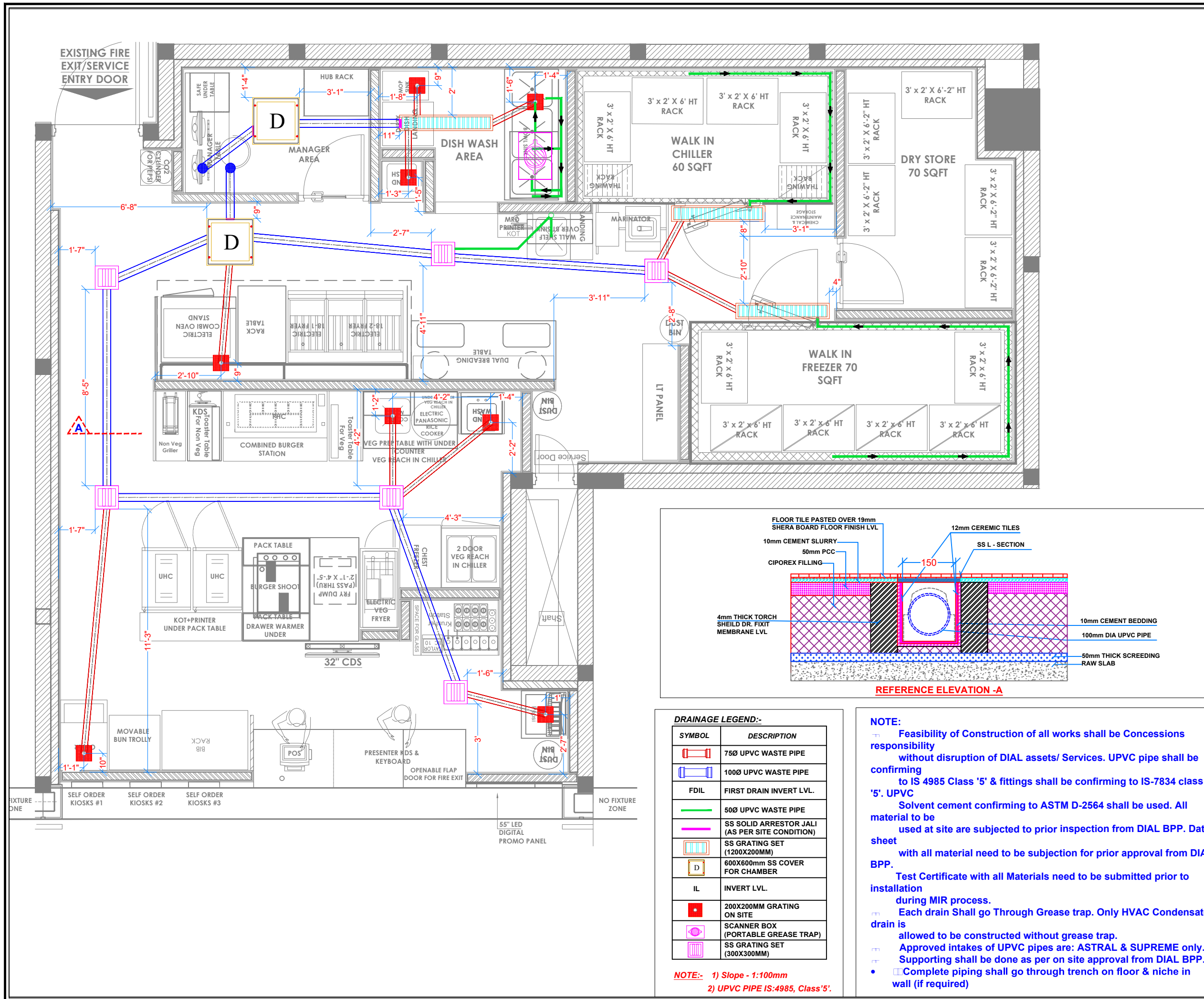
SYMBOL	DESCRIPTION
	750Ø UPVC WASTE PIPE
	100Ø UPVC WASTE PIPE
	FDIL FIRST DRAIN INVERT LVL.
	500Ø UPVC WASTE PIPE
	SS SOLID ARRESTOR JALI (AS PER SITE CONDITION)
	SS GRATING SET (1200X200MM)
	600X600mm SS COVER FOR CHAMBER
	IL INVERT LVL.
	200X200MM GRATING ON SITE
	SCANNER BOX (PORTABLE GREASE TRAP)
	SS GRATING SET (300X300MM)

NOTE:- 1) Slope - 1:100mm
 2) UPVC PIPE IS:4985, Class'5'.

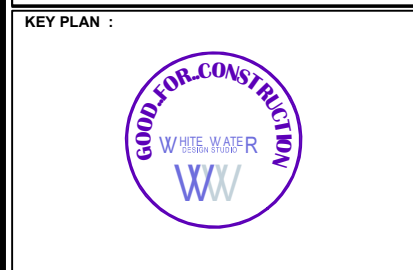
NOTE:

- Feasibility of Construction of all works shall be Concessions responsibility without disruption of DIAL assets/ Services. UPVC pipe shall be confirming to IS 4985 Class '5' & fittings shall be confirming to IS-7834 class '5'. UPVC Solvent cement confirming to ASTM D-2564 shall be used. All material to be used at site are subjected to prior inspection from DIAL BPP. Date sheet with all material need to be subjection for prior approval from DIAL BPP.
- Test Certificate with all Materials need to be submitted prior to installation during MIR process.
- Each drain Shall go Through Grease trap. Only HVAC Condensate drain is allowed to be constructed without grease trap.
- Approved intakes of UPVC pipes are: ASTRAL & SUPREME only. Supporting shall be done as per on site approval from DIAL BPP.
- Complete piping shall go through trench on floor & niche in wall (if required)

ALL DRAIN LINES ARE PLANNED IN A TRENCH AS SHOWN IN THE REFERENCE ELEVATION -A



- NOTES :**
- THE COPYRIGHT OF THIS DRAWING REMAINS WITH WHITE WATER DESIGN STUDIO AND IT MAY NOT BE REPRODUCED IN ANY WHICH MANNER WITHOUT PRIOR WRITTEN CONSENT.
- FIGURED DIMENSIONS ARE TO BE USED IN PREFERENCES TO SCALED SIZES. ALL DIMENSIONS MUST BE CHECKED BEFORE COMMENCING WORK ON SITE.
 - THIS DRAWINGS TO BE READ IN CONJUNCTION WITH ALL OTHER RELEVANT DRAWINGS.
 - ALL PROPOSED WORKS TO BE CARRIED OUT IN ACCORDANCE WITH TECHNICAL SPECIFICATIONS AND SCHEDULES MENTIONED FOR INTERIOR WORKS.
 - READ THIS DRAWING IN CONJUNCTION WITH ALL CONSULTANTS' & SPECIALISTS' DRAWINGS, DETAILS, SCHEDULES & SPECIFICATIONS FOR :
 - SPRINKLER INSTALLATION
 - AUTOMATIC FIRE DETECTION SYSTEMS
 - AIR CONDITIONING SYSTEM & DISTRIBUTION (HVAC)
 - EMERGENCY LIGHTING
 - PRIMARY WIRING DESIGN & DISTRIBUTION
 - ALL WORK IS TO BE CARRIED OUT STRICTLY IN ACCORDANCE WITH IS STANDARDS (WHERE APPLICABLE) & BEST TRADE PRACTICES. ALL WORK MUST SATISFY THE REQUIREMENTS OF THE LOCAL AUTHORITIES.
 - WHITE WATER DESIGN STUDIO TO APPROVE ALL CONTRACTORS' SETTINGS OUT & ALL CO-ORDINATION SHOP DRAWINGS PRIOR TO ALL MANUFACTURERS, CONTRACTORS, INSTALLERS & SPECIALISTS TO BE RESPONSIBLE FOR ENSURING THAT ALL OF THEIR COMMENCEMENT OF INSTALLATION
 - WORKS FULLY COMPLY WITH THE REQUIREMENTS OF THE LOCAL AUTHORITIES & FIRE DEPARTMENT & THAT ALL SAFETY STANDARDS ARE MET THROUGHOUT.
 - ALL FIT-OUT CONTRACTORS & SPECIALISTS TO PREPARE FULL SHOP DRAWINGS WITH SPECIFIC REFERENCE TO SITE CONDITIONS FOR WHITE WATER DESIGN STUDIO APPROVAL PRIOR TO MANUFACTURE & INSTALLATION AS APPROPRIATE TO THEIR TASK.



AMMENDMENTS :

S.NO.	REV.DATE	DESCRIPTION
1.	18.10.2023	PART GFC - R0
2.	03.11.2023	PART GFC - R1
3.	30.11.2023	GFC

DRAWING NO :
KFC-AIR-DL-PLU-DRDL-03 R0

DRAWING TITLE :
DRAINAGE DIMENSION LAYOUT

LOCATION :
DELHI

DATE : 30.11.2023
SCALE : NTS
DRN. BY : VAIBHAV
CHKD. BY : RITESH

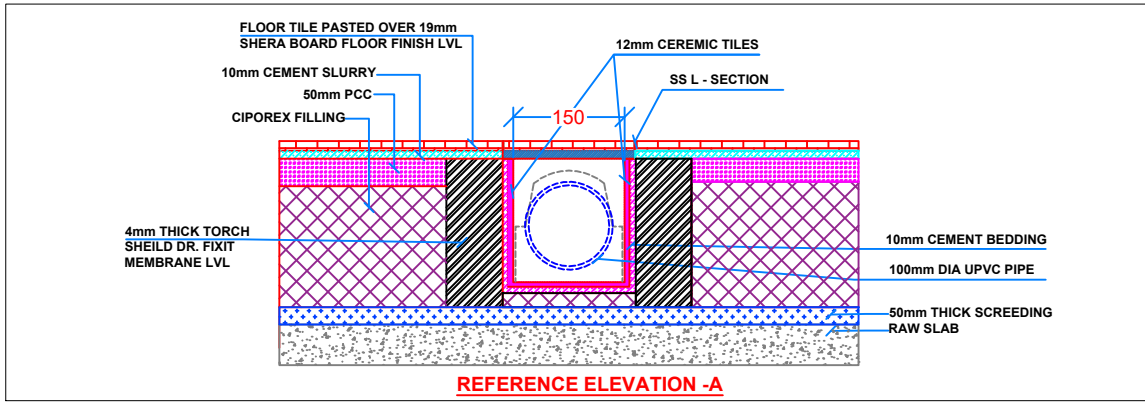
PROJECT :
KFC, AIRPORT @ DELHI.

CLIENT :
TRAVEL FOOD SERVICE

WHITE WATER DESIGN STUDIO

WWD

HEAD OFFICE:-
 Anchorage, off Govandi Station Rd
 Near Amarnath Patil Ground, Govandi-(E)
 Mumbai 400 088
 TEL: +91 22 6740 7640.
 Email: studio@whitewaterdesign.in



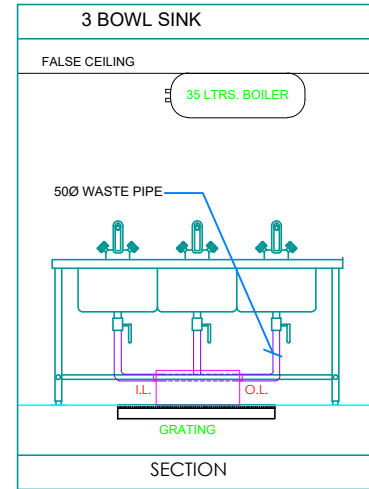
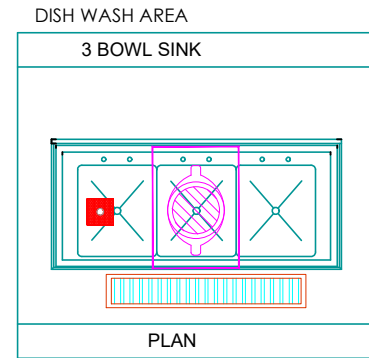
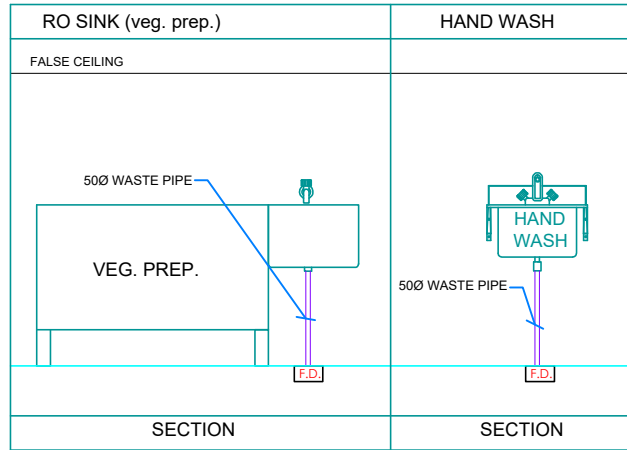
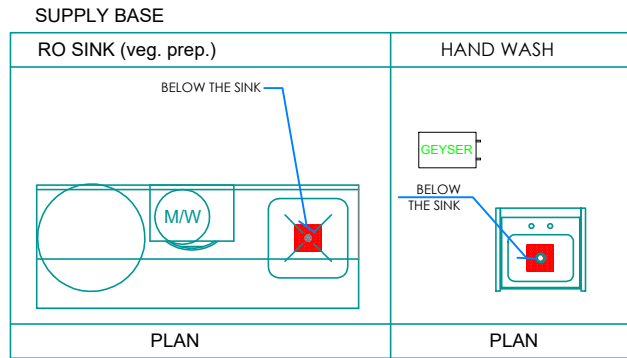
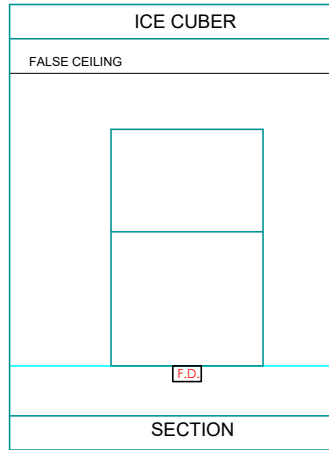
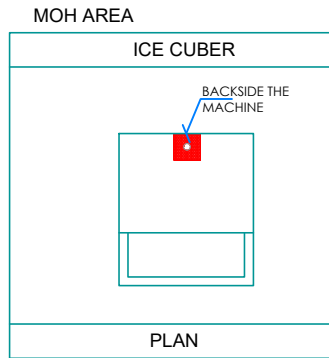
DRAINAGE LEGEND:-

SYMBOL	DESCRIPTION
	750Ø UPVC WASTE PIPE
	100Ø UPVC WASTE PIPE
	50Ø UPVC WASTE PIPE
	SS SOLID ARRESTOR JALI (AS PER SITE CONDITION)
	SS GRATING SET (1200X200MM)
	600X600mm SS COVER FOR CHAMBER
	INVERT LVL.
	200X200MM GRATING ON SITE
	SCANNER BOX (PORTABLE GREASE TRAP)
	SS GRATING SET (300X300MM)

NOTE:- 1) Slope - 1:100mm
 2) UPVC PIPE IS:4985, Class'5'.

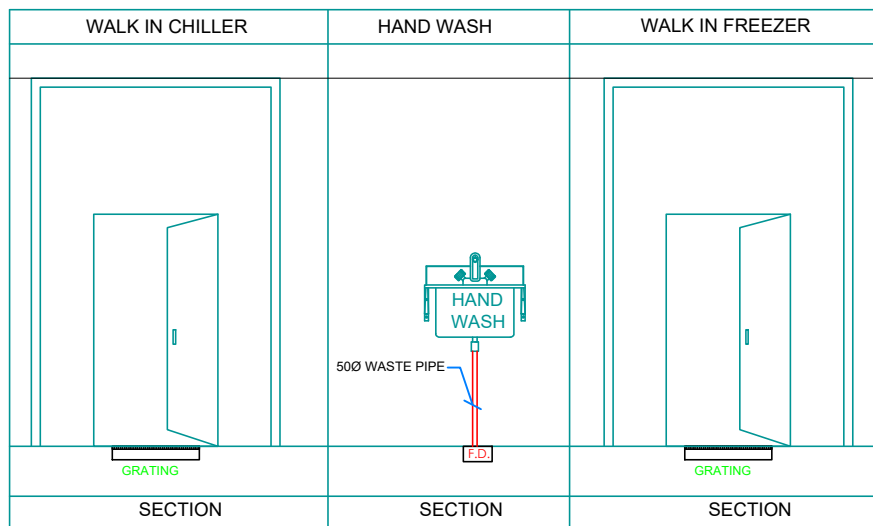
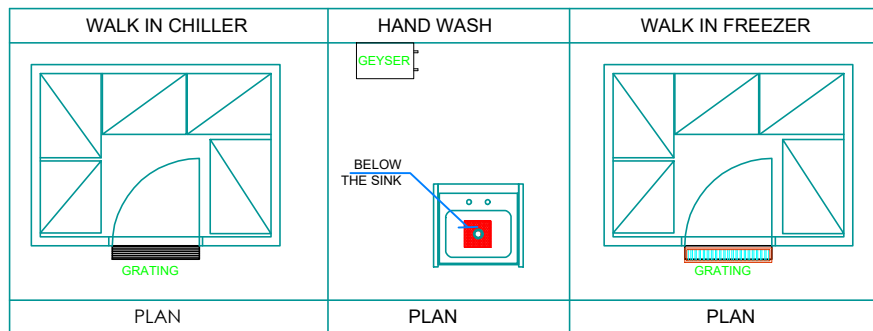
NOTE:

- Feasibility of Construction of all works shall be Concessions responsibility without disruption of DIAL assets/ Services. UPVC pipe shall be confirming to IS 4985 Class '5' & fittings shall be confirming to IS-7834 class '5'. UPVC Solvent cement confirming to ASTM D-2564 shall be used. All material to be used at site are subjected to prior inspection from DIAL BPP. Date sheet with all material need to be subjection for prior approval from DIAL BPP.
- Test Certificate with all Materials need to be submitted prior to installation during MIR process.
- Each drain Shall go Through Grease trap. Only HVAC Condensate drain is allowed to be constructed without grease trap.
- Approved intakes of UPVC pipes are: ASTRAL & SUPREME only. Supporting shall be done as per on site approval from DIAL BPP.
- Complete piping shall go through trench on floor & niche in wall (if required)



LEGEND

	50Ø BALL VALVE BELOW SINK
	FLOOR DRAIN
	48" X 8" OPEN GRATING
	50Ø UPVC WASTE PIPE
	PORTABLE SS GREASE TRAP



NOTE:

- Feasibility of Construction of all works shall be Concessions responsibility without disruption of DIAL assets/ Services. UPVC pipe shall be confirming to IS 4985 Class '5' & fittings shall be confirming to IS-7834 class '5'. UPVC Solvent cement confirming to ASTM D-2564 shall be used. All material to be used at site are subjected to prior inspection from DIAL BPP. Date sheet with all material need to be subjection for prior approval from DIAL BPP. Test Certificate with all Materials need to be submitted prior to installation during MIR process.
- Each drain Shall go Through Grease trap. Only HVAC Condensate drain is allowed to be constructed without grease trap.
- Approved intakes of UPVC pipes are: ASTRAL & SUPREME only.
- Supporting shall be done as per on site approval from DIAL BPP.
- Complete piping shall go through trench on floor & niche in wall (if required)

NOTES :

- THE COPYRIGHT OF THIS DRAWING REMAINS WITH WHITE WATER DESIGN STUDIO AND IT MAY NOT BE REPRODUCED IN ANY WHICH MANNER WITHOUT PRIOR WRITTEN CONSENT.
- FIGURED DIMENSIONS ARE TO BE USED IN PREFERENCES TO SCALED SIZES. ALL DIMENSIONS MUST BE CHECKED BEFORE COMMENCING WORK ON SITE.
 - THIS DRAWINGS TO BE READ IN CONJUNCTION WITH ALL OTHER RELEVANT DRAWINGS.
 - ALL PROPOSED WORKS TO BE CARRIED OUT IN ACCORDANCE WITH TECHNICAL SPECIFICATIONS AND SCHEDULES MENTIONED FOR INTERIOR WORKS.
 - READ THIS DRAWING IN CONJUNCTION WITH ALL CONSULTANTS' & SPECIALISTS' DRAWINGS, DETAILS, SCHEDULES & SPECIFICATIONS FOR :
 - SPRINKLER INSTALLATION
 - AUTOMATIC FIRE DETECTION SYSTEMS
 - AIR CONDITIONING SYSTEM & DISTRIBUTION (HVAC)
 - EMERGENCY LIGHTING
 - PRIMARY WIRING DESIGN & DISTRIBUTION
 - ALL WORK IS TO BE CARRIED OUT STRICTLY IN ACCORDANCE WITH IS STANDARDS (WHERE APPLICABLE) & BEST TRADE PRACTICES. ALL WORK MUST SATISFY THE REQUIREMENTS OF THE LOCAL AUTHORITIES.
 - WHITE WATER DESIGN STUDIO TO APPROVE ALL CONTRACTORS' SETTINGS OUT & ALL CO-ORDINATION SHOP DRAWINGS PRIOR TO BE RESPONSIBLE FOR ENSURING THAT ALL OF THEIR COMMENCEMENT OF INSTALLATION
 - WORKS FULLY COMPLY WITH THE REQUIREMENTS OF THE LOCAL AUTHORITIES & FIRE DEPARTMENT & THAT ALL SAFETY STANDARDS ARE MET THROUGHOUT.
 - ALL FIT-OUT CONTRACTORS & SPECIALISTS TO PREPARE FULL SHOP DRAWINGS WITH SPECIFIC REFERENCE TO SITE CONDITIONS FOR WHITE WATER DESIGN STUDIO APPROVAL PRIOR TO MANUFACTURE & INSTALLATION AS APPROPRIATE TO THEIR TASK.

KEY PLAN :



AMMENDMENTS :

S.NO.	REV. DATE	DESCRIPTION
1.	18.10.2023	PART GFC - R0
2.	30.11.2023	GFC

DRAWING NO :

KFC-AIR-DL-PLU-DDL-04 R0

DRAWING TITLE :

DRAINAGE DETAILS LAYOUT

LOCATION :

DELHI

DATE : 30.11.2023
SCALE : NTS
DRN. BY : VAIBHAV
CHKD. BY : RITESH

PROJECT :

KFC, AIRPORT @ DELHI.

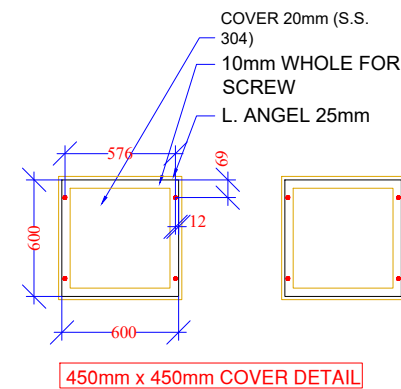
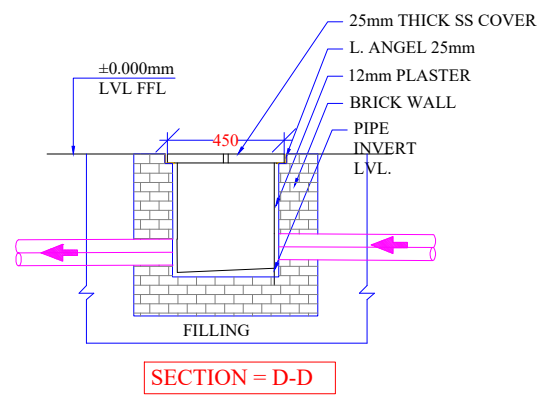
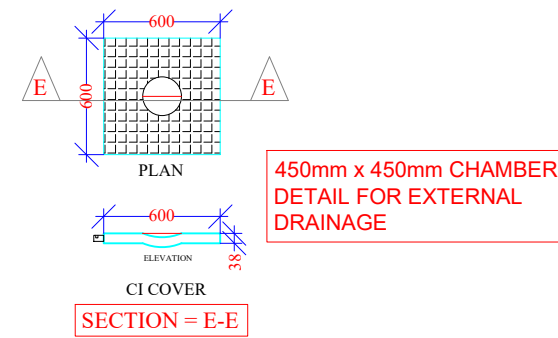
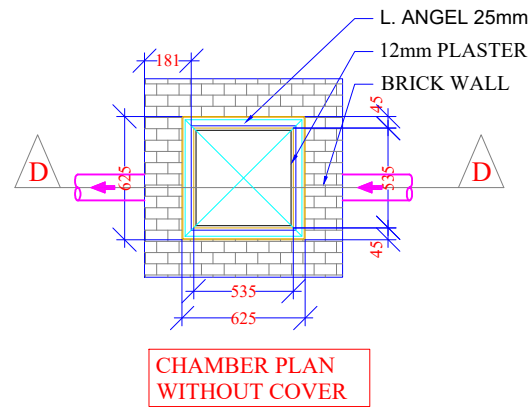
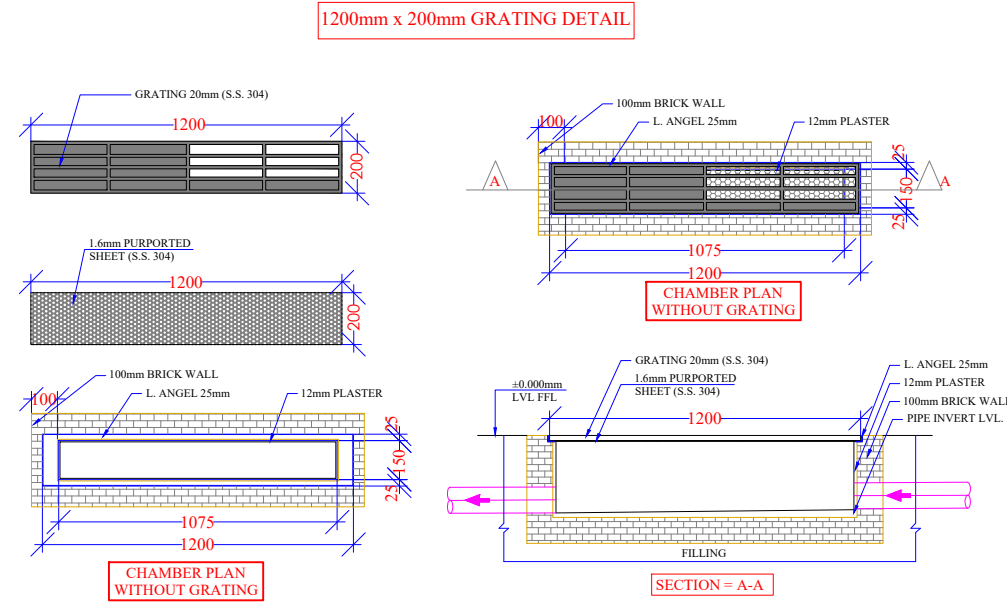
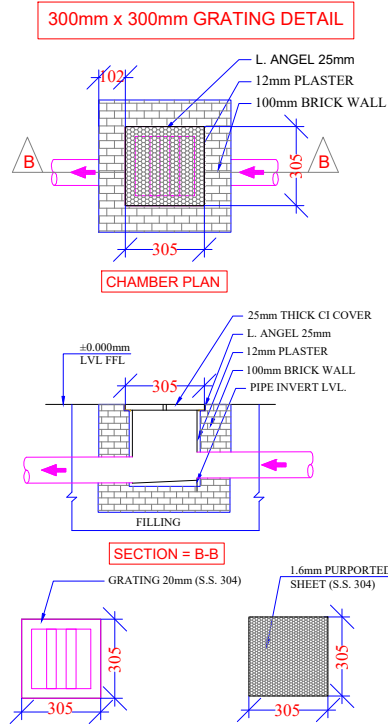
CLIENT :

TRAVEL FOOD SERVICE

WHITE WATER DESIGN STUDIO

WW

HEAD OFFICE:-
Anchorage, off Govandi Station Rd
Near Amarnath Patil Ground, Govandi-(E)
Mumbai 400 088
TEL: +91 22 6740 7640.
Email: studio@whitewaterdesign.in



CHAMBER DETAILS LAYOUT

NOTES :

- THE COPYRIGHT OF THIS DRAWING REMAINS WITH WHITE WATER DESIGN STUDIO AND IT MAY NOT BE REPRODUCED IN ANY WHICH MANNER WITHOUT PRIOR WRITTEN CONSENT.
- FIGURED DIMENSIONS ARE TO BE USED IN PREFERENCES TO SCALED SIZES. ALL DIMENSIONS MUST BE CHECKED BEFORE COMMENCING WORK ON SITE.
 - THIS DRAWINGS TO BE READ IN CONJUNCTION WITH ALL OTHER RELEVANT DRAWINGS.
 - ALL PROPOSED WORKS TO BE CARRIED OUT IN ACCORDANCE WITH TECHNICAL SPECIFICATIONS AND SCHEDULES MENTIONED FOR INTERIOR WORKS.
 - READ THIS DRAWING IN CONJUNCTION WITH ALL CONSULTANTS' & SPECIALISTS' DRAWINGS, DETAILS, SCHEDULES & SPECIFICATIONS FOR :
 - SPRINKLER INSTALLATION
 - AUTOMATIC FIRE DETECTION SYSTEMS
 - AIR CONDITIONING SYSTEM & DISTRIBUTION (HVAC)
 - EMERGENCY LIGHTING
 - PRIMARY WIRING DESIGN & DISTRIBUTION
 - ALL WORK IS TO BE CARRIED OUT STRICTLY IN ACCORDANCE WITH IS STANDARDS (WHERE APPLICABLE) & BEST TRADE PRACTICES. ALL WORK MUST SATISFY THE REQUIREMENTS OF THE LOCAL AUTHORITIES.
 - WHITE WATER DESIGN STUDIO TO APPROVE ALL CONTRACTORS' SETTINGS OUT & ALL CO-ORDINATION SHOP DRAWINGS PRIOR TO BE RESPONSIBLE FOR ENSURING THAT ALL OF THEIR COMMENCEMENT OF INSTALLATION
 - WORKS FULLY COMPLY WITH THE REQUIREMENTS OF THE LOCAL AUTHORITIES & FIRE DEPARTMENT & THAT ALL SAFETY STANDARDS ARE MET THROUGHOUT.
 - ALL FIT-OUT CONTRACTORS & SPECIALISTS TO PREPARE FULL SHOP DRAWINGS WITH SPECIFIC REFERENCE TO SITE CONDITIONS FOR WHITE WATER DESIGN STUDIO APPROVAL PRIOR TO MANUFACTURE & INSTALLATION AS APPROPRIATE TO THEIR TASK.

KEY PLAN :



AMMENDMENTS :

S.NO.	REV.DATE	DESCRIPTION
1.	03.11.2023	PART GFC
2.	30.11.2023	GFC

DRAWING NO :

KFC-AIR-DL-PLU-CDL-05 R0

DRAWING TITLE :

CHAMBER DETAILS LAYOUT

LOCATION :

DELHI

DATE : 30.11.2023

SCALE : NTS

DRN. BY : VAIBHAV

CHKD. BY : RITESH

PROJECT :

KFC, AIRPORT @ DELHI.

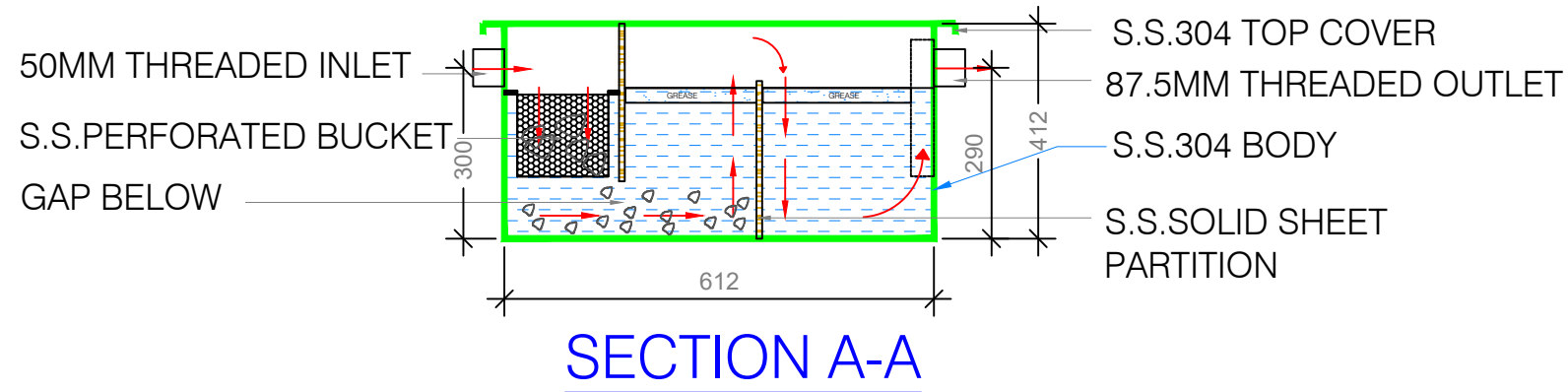
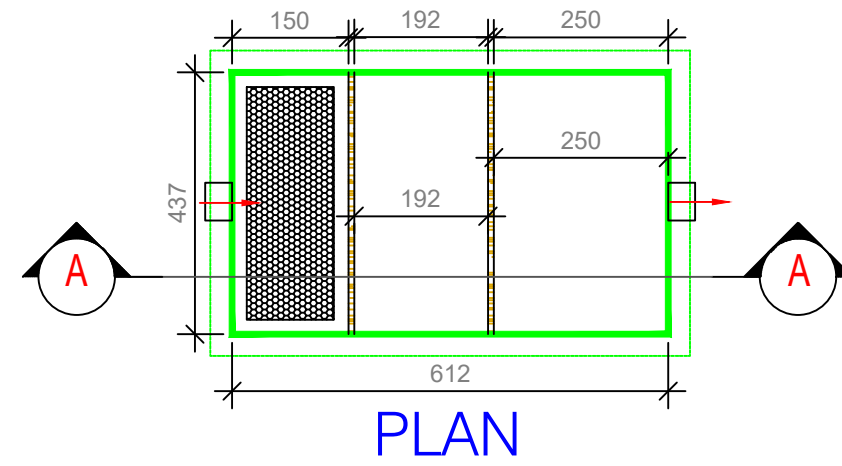
CLIENT :

TRAVEL FOOD SERVICE

WHITE WATER DESIGN STUDIO



HEAD OFFICE:-
Anchorage, off Govandi Station Rd
Near Amarnath Patil Ground, Govandi-(E)
Mumbai 400 088
TEL: +91 22 6740 7640.
Email: studio@whitewaterdesign.in



PORTABLE GREASE TRAP DETAILS

NOTES :

THE COPYRIGHT OF THIS DRAWING REMAINS WITH WHITE WATER DESIGN STUDIO AND IT MAY NOT BE REPRODUCED IN ANY WHICH MANNER WITHOUT PRIOR WRITTEN CONSENT.

1. FIGURED DIMENSIONS ARE TO BE USED IN PREFERENCES TO SCALED SIZES. ALL DIMENSIONS MUST BE CHECKED BEFORE COMMENCING WORK ON SITE.
2. THIS DRAWINGS TO BE READ IN CONJUNCTION WITH ALL OTHER RELEVANT DRAWINGS.
3. ALL PROPOSED WORKS TO BE CARRIED OUT IN ACCORDANCE WITH TECHNICAL SPECIFICATIONS AND SCHEDULES MENTIONED FOR INTERIOR WORKS.
4. READ THIS DRAWING IN CONJUNCTION WITH ALL CONSULTANTS' & SPECIALISTS' DRAWINGS, DETAILS, SCHEDULES & SPECIFICATIONS FOR :
 i. SPRINKLER INSTALLATION
 ii. AUTOMATIC FIRE DETECTION SYSTEMS
 iii. AIR CONDITIONING SYSTEM & DISTRIBUTION (HVAC)
 iv. EMERGENCY LIGHTING
 v. PRIMARY WIRING DESIGN & DISTRIBUTION
5. ALL WORK IS TO BE CARRIED OUT STRICTLY IN ACCORDANCE WITH IS STANDARDS (WHERE APPLICABLE) & BEST TRADE PRACTICES. ALL WORK MUST SATISFY THE REQUIREMENTS OF THE LOCAL AUTHORITIES.
6. WHITE WATER DESIGN STUDIO TO APPROVE ALL CONTRACTORS' SETTINGS OUT & ALL CO-ORDINATION SHOP DRAWINGS PRIOR TO ALL MANUFACTURERS, CONTRACTORS, INSTALLERS & SPECIALISTS TO BE RESPONSIBLE FOR ENSURING THAT ALL OF THEIR COMMENCEMENT OF INSTALLATION
7. WORKS FULLY COMPLY WITH THE REQUIREMENTS OF THE LOCAL AUTHORITIES & FIRE DEPARTMENT & THAT ALL SAFETY STANDARDS ARE MET THROUGHOUT.
8. ALL FIT-OUT CONTRACTORS & SPECIALISTS TO PREPARE FULL SHOP DRAWINGS WITH SPECIFIC REFERENCE TO SITE CONDITIONS FOR WHITE WATER DESIGN STUDIO APPROVAL PRIOR TO MANUFACTURE & INSTALLATION AS APPROPRIATE TO THEIR TASK.

KEY PLAN :



AMMENDMENTS :

S.NO.	REV.DATE	DESCRIPTION
1.	03.11.2023	PART GFC
2.	30.11.2023	GFC

DRAWING NO :

KFC-AIR-DL-PLU-GTDL-06 R0

DRAWING TITLE :

GREASE TRAP DETAILS LAYOUT

LOCATION :

DELHI

DATE : 30.11.2023

SCALE : NTS

DRN. BY : VAIBHAV

CHKD. BY : RITESH

PROJECT :

KFC, AIRPORT @ DELHI.

CLIENT :

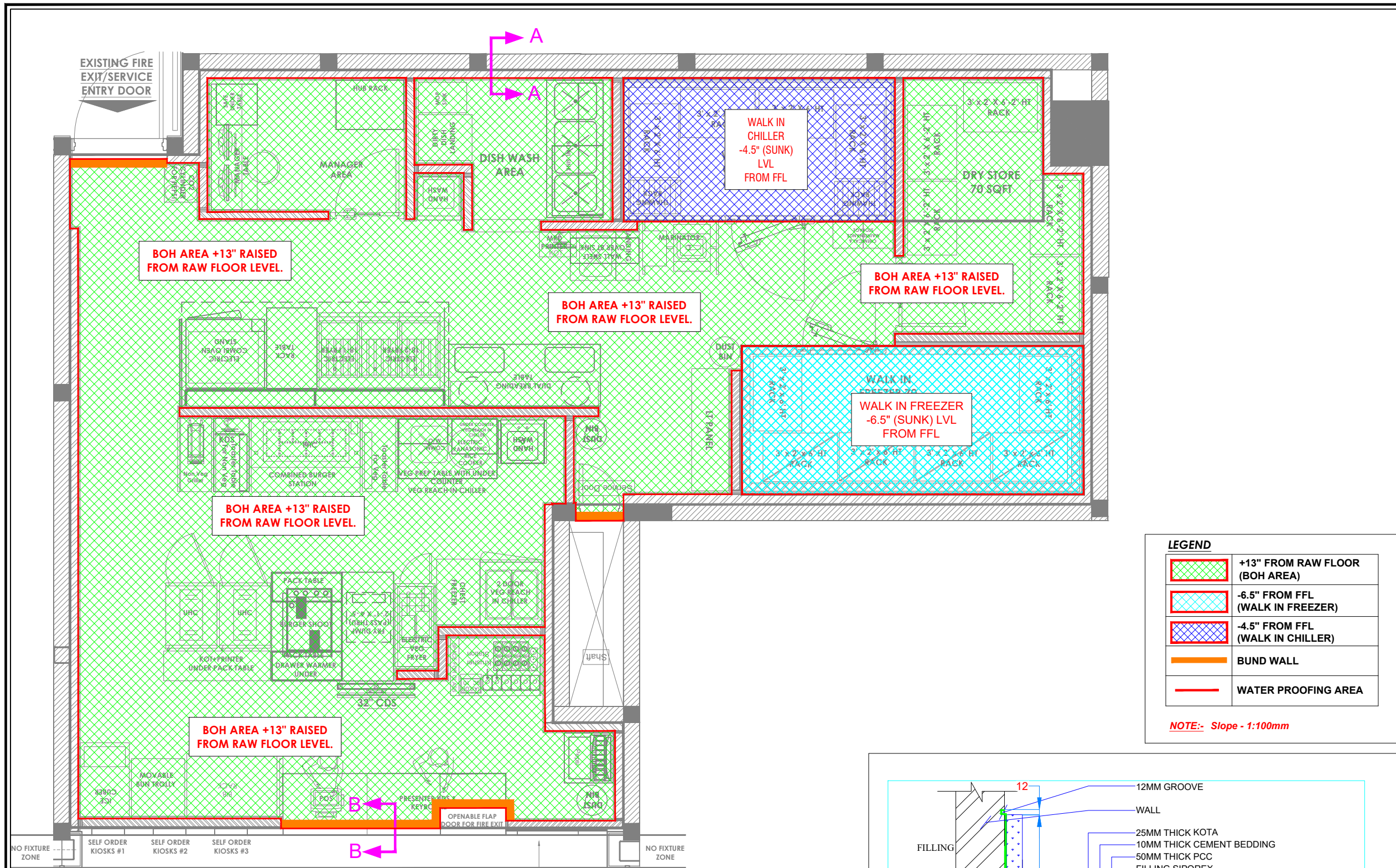
TRAVEL FOOD SERVICE



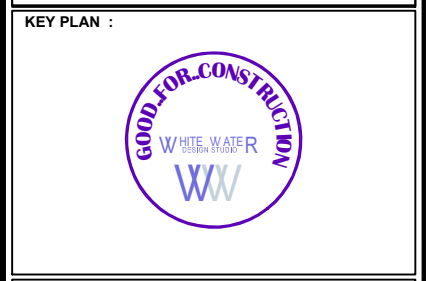
HEAD OFFICE:-
 Anchorage, off Govandi Station Rd
 Near Amarnath Patil Ground, Govandi-(E)
 Mumbai 400 088
 TEL: +91 22 6740 7640.
 Email: studio@whitewaterdesign.in

Nugreen Grease separator "NGT 8/14/20/30/40/50/70/100"

GREASE TRAP SS 304	INLET/OUTLET (mm)	HOLDING CAPACITY (Litre)	FLOW (Lit/Min)	BOTTOM TO CENTRE OF INLET (A) (mm)	BOTTOM TO CENTRE OF INLET (B) (mm)	WIDTH (mm)	LENGTH (mm)	HEIGHT (mm)	GREASE CAPACITY (kg)
NGT 8	50	15.9	18	177	177	262	355	280	3
NGT 50	87.5	72	95	300	290	437	612	412	23



- NOTES :**
- THE COPYRIGHT OF THIS DRAWING REMAINS WITH WHITE WATER DESIGN STUDIO AND IT MAY NOT BE REPRODUCED IN ANY WHICH MANNER WITHOUT PRIOR WRITTEN CONSENT.
 - FIGURED DIMENSIONS ARE TO BE USED IN PREFERENCES TO SCALED SIZES. ALL DIMENSIONS MUST BE CHECKED BEFORE COMMENCING WORK ON SITE.
 - THIS DRAWINGS TO BE READ IN CONJUNCTION WITH ALL OTHER RELEVANT DRAWINGS.
 - ALL PROPOSED WORKS TO BE CARRIED OUT IN ACCORDANCE WITH TECHNICAL SPECIFICATIONS AND SCHEDULES MENTIONED FOR INTERIOR WORKS.
 - READ THIS DRAWING IN CONJUNCTION WITH ALL CONSULTANTS' & SPECIALISTS' DRAWINGS, DETAILS, SCHEDULES & SPECIFICATIONS FOR :
 i. SPRINKLER INSTALLATION
 ii. AUTOMATIC FIRE DETECTION SYSTEMS
 iii. AIR CONDITIONING SYSTEM & DISTRIBUTION (HVAC)
 iv. EMERGENCY LIGHTING
 v. PRIMARY WIRING DESIGN & DISTRIBUTION
 - ALL WORK IS TO BE CARRIED OUT STRICTLY IN ACCORDANCE WITH IS STANDARDS (WHERE APPLICABLE) & BEST TRADE PRACTICES. ALL WORK MUST SATISFY THE REQUIREMENTS OF THE LOCAL AUTHORITIES.
 - WHITE WATER DESIGN STUDIO TO APPROVE ALL CONTRACTORS' SETTINGS OUT & ALL CO-ORDINATION SHOP DRAWINGS PRIOR TO ALL MANUFACTURERS, CONTRACTORS, INSTALLERS & SPECIALISTS TO BE RESPONSIBLE FOR ENSURING THAT ALL OF THEIR COMMENCEMENT OF INSTALLATION
 - WORKS FULLY COMPLY WITH THE REQUIREMENTS OF THE LOCAL AUTHORITIES & FIRE DEPARTMENT & THAT ALL SAFETY STANDARDS ARE MET THROUGHOUT.
 - ALL FIT-OUT CONTRACTORS & SPECIALISTS TO PREPARE FULL SHOP DRAWINGS WITH SPECIFIC REFERENCE TO SITE CONDITIONS FOR WHITE WATER DESIGN STUDIO APPROVAL PRIOR TO MANUFACTURE & INSTALLATION AS APPROPRIATE TO THEIR TASK.



AMMENDMENTS :

S.NO.	REV.DATE	DESCRIPTION
1.	18.10.2023	PART GFC - R0
2.	08.11.2023	PART GFC - R1

DRAWING NO :
KFC-AIR-DL-PLU-WPL-07 **R1**

DRAWING TITLE :
WATERPROOFING LAYOUT

LOCATION :
DELHI

DATE : 30.11.2023
SCALE : NTS
DRN. BY : VAIBHAV
CHKD. BY : RITESH

PROJECT :
KFC, AIRPORT @ DELHI.

CLIENT :
TRAVEL FOOD SERVICE

WHITE WATER DESIGN STUDIO

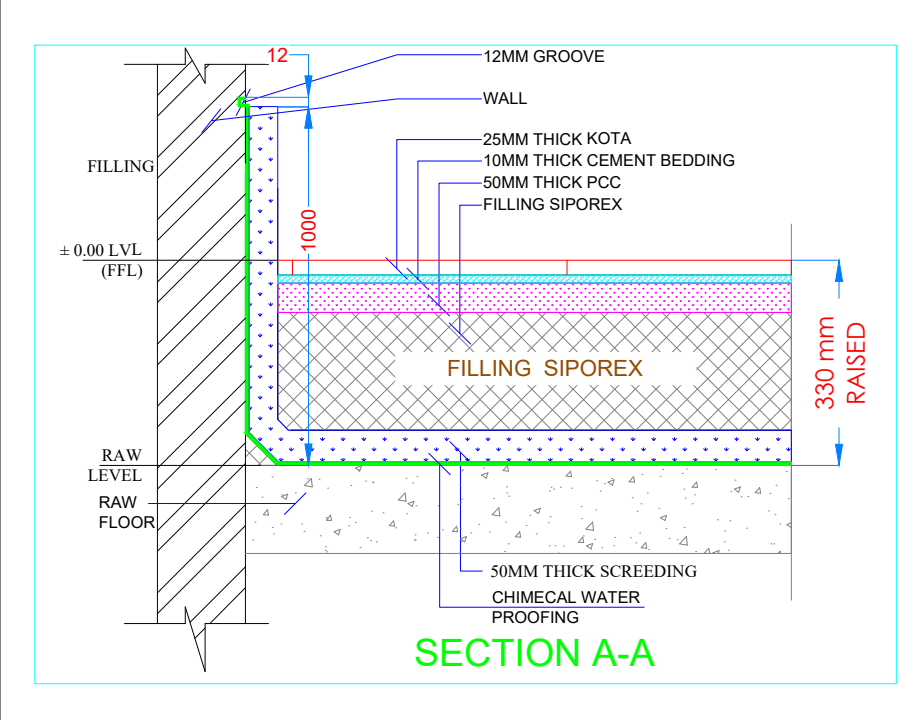
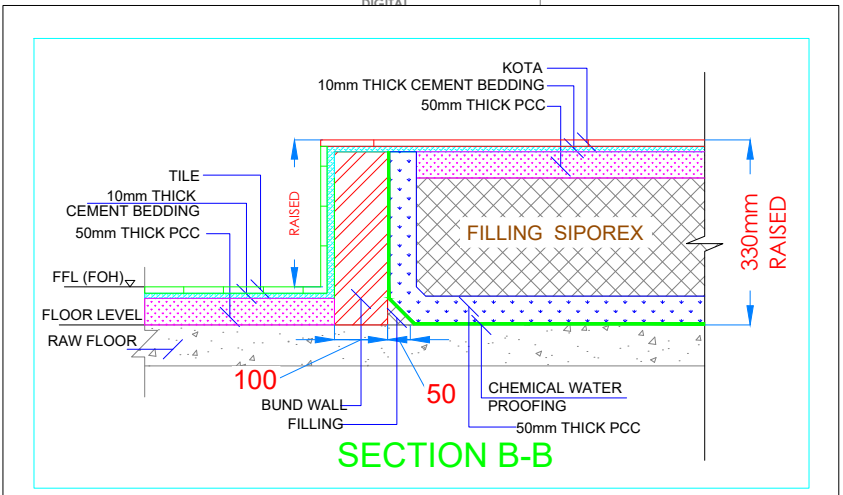
WWD

HEAD OFFICE:-
 Anchorage, off Govandi Station Rd
 Near Amarnath Patil Ground, Govandi-(E)
 Mumbai 400 088
 TEL: +91 22 6740 7640.
 Email: studio@whitewaterdesign.in

LEGEND

- +13" FROM RAW FLOOR (BOH AREA)
- 6.5" FROM FFL (WALK IN FREEZER)
- 4.5" FROM FFL (WALK IN CHILLER)
- BUND WALL
- WATER PROOFING AREA

NOTE:- Slope - 1:100mm



NOTES :

- THE COPYRIGHT OF THIS DRAWING REMAINS WITH WHITE WATER DESIGN STUDIO AND IT MAY NOT BE REPRODUCED IN ANY MANNER WITHOUT PRIOR WRITTEN CONSENT.
- FIGURED DIMENSIONS ARE TO BE USED IN PREFERENCE TO SCALED SIZES. ALL DIMENSIONS MUST BE CHECKED BEFORE COMMENCING WORK ON SITE.
 - THIS DRAWINGS TO BE READ IN CONJUNCTION WITH ALL OTHER RELEVANT DRAWINGS.
 - ALL PROPOSED WORKS TO BE CARRIED OUT IN ACCORDANCE WITH TECHNICAL SPECIFICATIONS AND SCHEDULES MENTIONED FOR INTERIOR WORKS.
 - READ THIS DRAWING IN CONJUNCTION WITH ALL CONSULTANTS' & SPECIALISTS' DRAWINGS, DETAILS, SCHEDULES & SPECIFICATIONS FOR :
 i. SPRINKLER INSTALLATION
 ii. AUTOMATIC FIRE DETECTION SYSTEMS
 iii. AIR CONDITIONING SYSTEM & DISTRIBUTION (HVAC)
 iv. EMERGENCY LIGHTING
 v. PRIMARY WIRING DESIGN & DISTRIBUTION
 - ALL WORK IS TO BE CARRIED OUT STRICTLY IN ACCORDANCE WITH IS STANDARDS (WHERE APPLICABLE) & BEST TRADE PRACTICES. ALL WORK MUST SATISFY THE REQUIREMENTS OF THE LOCAL AUTHORITIES.
 - WHITE WATER DESIGN STUDIO TO APPROVE ALL CONTRACTORS' SETTINGS OUT & ALL CO-ORDINATION SHOP DRAWINGS PRIOR TO ALL MANUFACTURERS, CONTRACTORS, INSTALLERS & SPECIALISTS TO BE RESPONSIBLE FOR ENSURING THAT ALL OF THEIR COMMENCEMENT OF INSTALLATION
 - WORKS FULLY COMPLY WITH THE REQUIREMENTS OF THE LOCAL AUTHORITIES & FIRE DEPARTMENT & THAT ALL SAFETY STANDARDS ARE MET THROUGHOUT.
 - ALL FIT-OUT CONTRACTORS & SPECIALISTS TO PREPARE FULL SHOP DRAWINGS WITH SPECIFIC REFERENCE TO SITE CONDITIONS FOR WHITE WATER DESIGN STUDIO APPROVAL PRIOR TO MANUFACTURE & INSTALLATION AS APPROPRIATE TO THEIR TASK.

KEY PLAN :



AMMENDMENTS :

S.NO.	REV. DATE	DESCRIPTION
1.	03.11.2023	PART GFC
2.	30.11.2023	GFC

DRAWING NO :

KFC-AIR-DL-PLU-WSL-08 R0

DRAWING TITLE :

WATER SUPPLY LAYOUT

LOCATION :

DELHI

DATE : 30.11.2023
 SCALE : NTS
 DRN. BY : VAIBHAV
 CHKD. BY : RITESH

PROJECT :

KFC, AIRPORT @ DELHI.

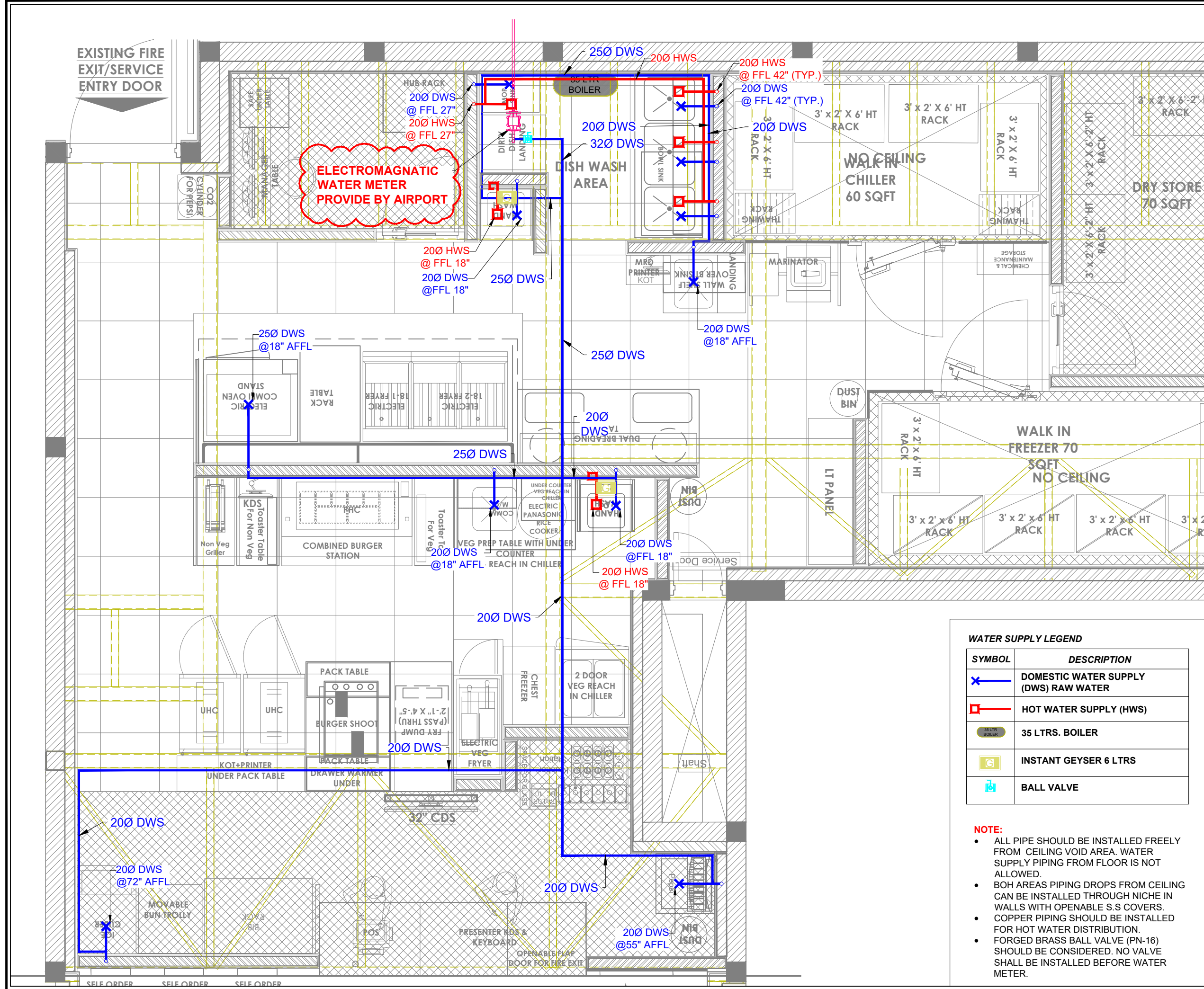
CLIENT :

TRAVEL FOOD SERVICE

WHITE WATER DESIGN STUDIO



HEAD OFFICE:-
 Anchorage, off Govandi Station Rd
 Near Amarnath Patil Ground, Govandi-(E)
 Mumbai 400 088
 TEL: +91 22 6740 7640.
 Email: studio@whitewaterdesign.in



WATER SUPPLY LEGEND

SYMBOL	DESCRIPTION
	DOMESTIC WATER SUPPLY (DWS) RAW WATER
	HOT WATER SUPPLY (HWS)
	35 LTRS. BOILER
	INSTANT GEYSER 6 LTRS
	BALL VALVE

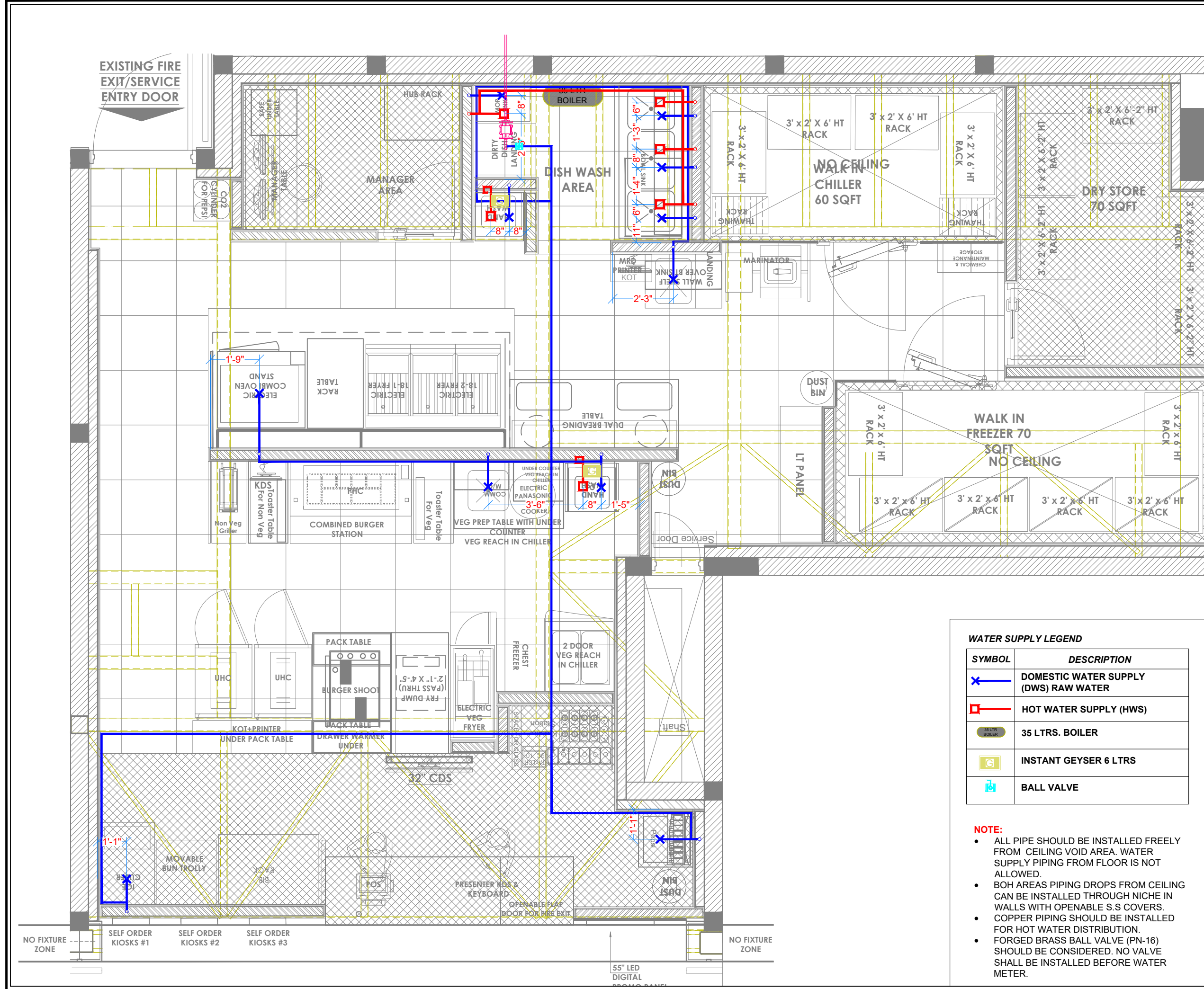
NOTE:

- ALL PIPE SHOULD BE INSTALLED FREELY FROM CEILING VOID AREA. WATER SUPPLY PIPING FROM FLOOR IS NOT ALLOWED.
- BOH AREAS PIPING DROPS FROM CEILING CAN BE INSTALLED THROUGH NICHE IN WALLS WITH OPENABLE S.S COVERS.
- COPPER PIPING SHOULD BE INSTALLED FOR HOT WATER DISTRIBUTION.
- FORGED BRASS BALL VALVE (PN-16) SHOULD BE CONSIDERED. NO VALVE SHALL BE INSTALLED BEFORE WATER METER.

EXISTING FIRE EXIT/SERVICE ENTRY DOOR

ELECTROMAGNETIC WATER METER PROVIDE BY AIRPORT

SELF ORDER SELF ORDER SELF ORDER



- NOTES :**
- THE COPYRIGHT OF THIS DRAWING REMAINS WITH WHITE WATER DESIGN STUDIO AND IT MAY NOT BE REPRODUCED IN ANY WHICH MANNER WITHOUT PRIOR WRITTEN CONSENT.
- FIGURED DIMENSIONS ARE TO BE USED IN PREFERENCES TO SCALED SIZES. ALL DIMENSIONS MUST BE CHECKED BEFORE COMMENCING WORK ON SITE.
 - THIS DRAWINGS TO BE READ IN CONJUNCTION WITH ALL OTHER RELEVANT DRAWINGS.
 - ALL PROPOSED WORKS TO BE CARRIED OUT IN ACCORDANCE WITH TECHNICAL SPECIFICATIONS AND SCHEDULES MENTIONED FOR INTERIOR WORKS.
 - READ THIS DRAWING IN CONJUNCTION WITH ALL CONSULTANTS' & SPECIALISTS' DRAWINGS, DETAILS, SCHEDULES & SPECIFICATIONS FOR :
 - SPRINKLER INSTALLATION
 - AUTOMATIC FIRE DETECTION SYSTEMS
 - AIR CONDITIONING SYSTEM & DISTRIBUTION (HVAC)
 - EMERGENCY LIGHTING
 - PRIMARY WIRING DESIGN & DISTRIBUTION
 - ALL WORK IS TO BE CARRIED OUT STRICTLY IN ACCORDANCE WITH IS STANDARDS (WHERE APPLICABLE) & BEST TRADE PRACTICES. ALL WORK MUST SATISFY THE REQUIREMENTS OF THE LOCAL AUTHORITIES.
 - WHITE WATER DESIGN STUDIO TO APPROVE ALL CONTRACTORS' SETTINGS OUT & ALL CO-ORDINATION SHOP DRAWINGS PRIOR TO ALL MANUFACTURERS, CONTRACTORS, INSTALLERS & SPECIALISTS TO BE RESPONSIBLE FOR ENSURING THAT ALL OF THEIR COMMENCEMENT OF INSTALLATION
 - WORKS FULLY COMPLY WITH THE REQUIREMENTS OF THE LOCAL AUTHORITIES & FIRE DEPARTMENT & THAT ALL SAFETY STANDARDS ARE MET THROUGHOUT.
 - ALL FIT-OUT CONTRACTORS & SPECIALISTS TO PREPARE FULL SHOP DRAWINGS WITH SPECIFIC REFERENCE TO SITE CONDITIONS FOR WHITE WATER DESIGN STUDIO APPROVAL PRIOR TO MANUFACTURE & INSTALLATION AS APPROPRIATE TO THEIR TASK.



AMMENDMENTS :

S.NO.	REV.DATE	DESCRIPTION
1.	03.11.2023	PART GFC
2.	30.11.2023	GFC

DRAWING NO :
KFC-AIR-DL-PLU-WSDL-09 R0

DRAWING TITLE :
WATER SUPPLY DIMENSION LAYOUT

LOCATION :
DELHI

DATE : 30.11.2023
SCALE : NTS
DRN. BY : VAIBHAV
CHKD. BY : RITESH

PROJECT :
KFC, AIRPORT @ DELHI.

CLIENT :
TRAVEL FOOD SERVICE



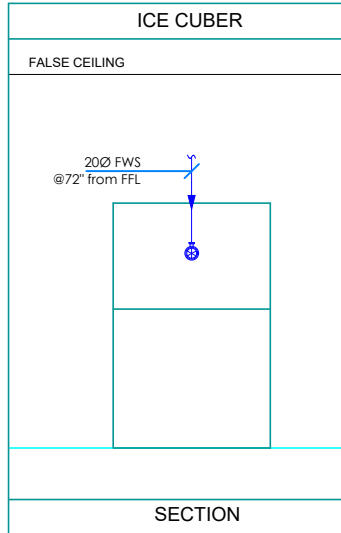
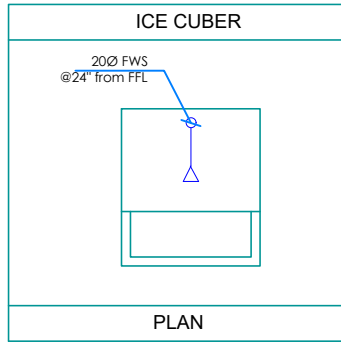
HEAD OFFICE:-
 Anchorage, off Govandi Station Rd
 Near Amarnath Patil Ground, Govandi-(E)
 Mumbai 400 088
 TEL: +91 22 6740 7640.
 Email: studio@whitewaterdesign.in

WATER SUPPLY LEGEND

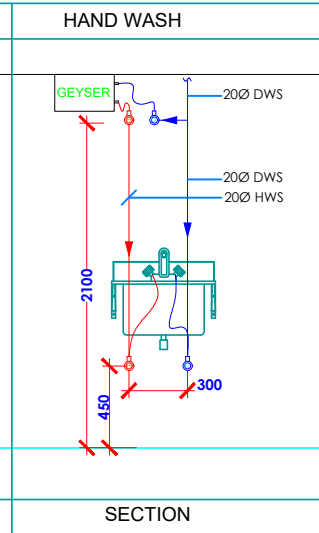
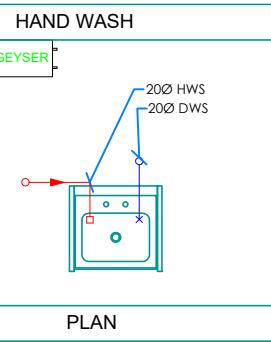
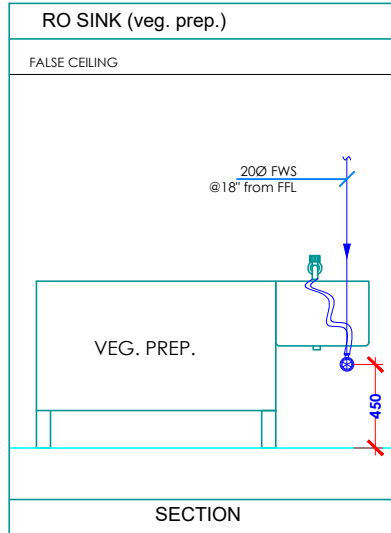
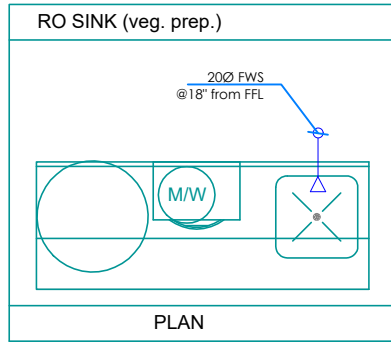
SYMBOL	DESCRIPTION
	DOMESTIC WATER SUPPLY (DWS) RAW WATER
	HOT WATER SUPPLY (HWS)
	35 LTRS. BOILER
	INSTANT GEYSER 6 LTRS
	BALL VALVE

- NOTE:**
- ALL PIPE SHOULD BE INSTALLED FREELY FROM CEILING VOID AREA. WATER SUPPLY PIPING FROM FLOOR IS NOT ALLOWED.
 - BOH AREAS PIPING DROPS FROM CEILING CAN BE INSTALLED THROUGH NICHE IN WALLS WITH OPENABLE S.S COVERS.
 - COPPER PIPING SHOULD BE INSTALLED FOR HOT WATER DISTRIBUTION.
 - FORGED BRASS BALL VALVE (PN-16) SHOULD BE CONSIDERED. NO VALVE SHALL BE INSTALLED BEFORE WATER METER.

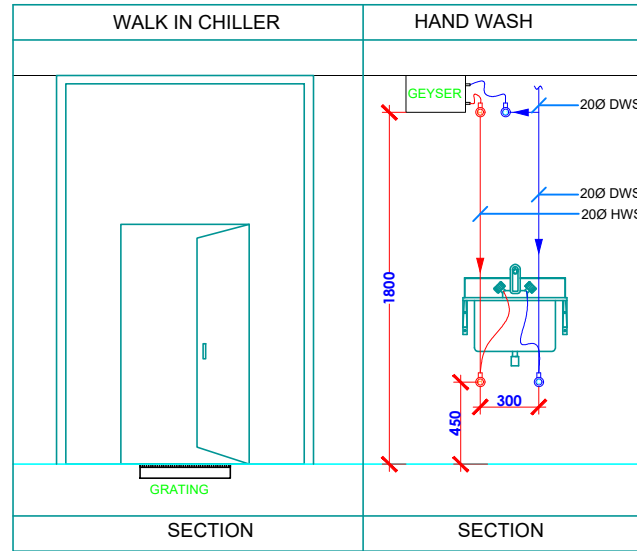
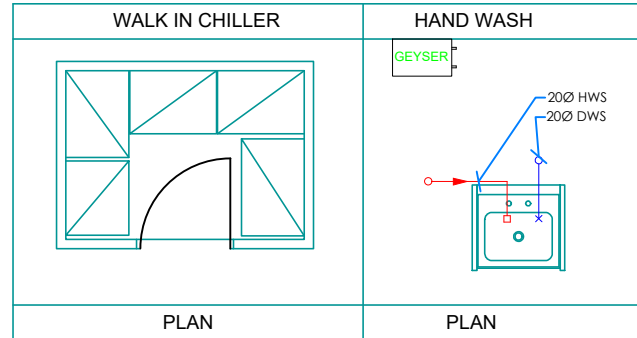
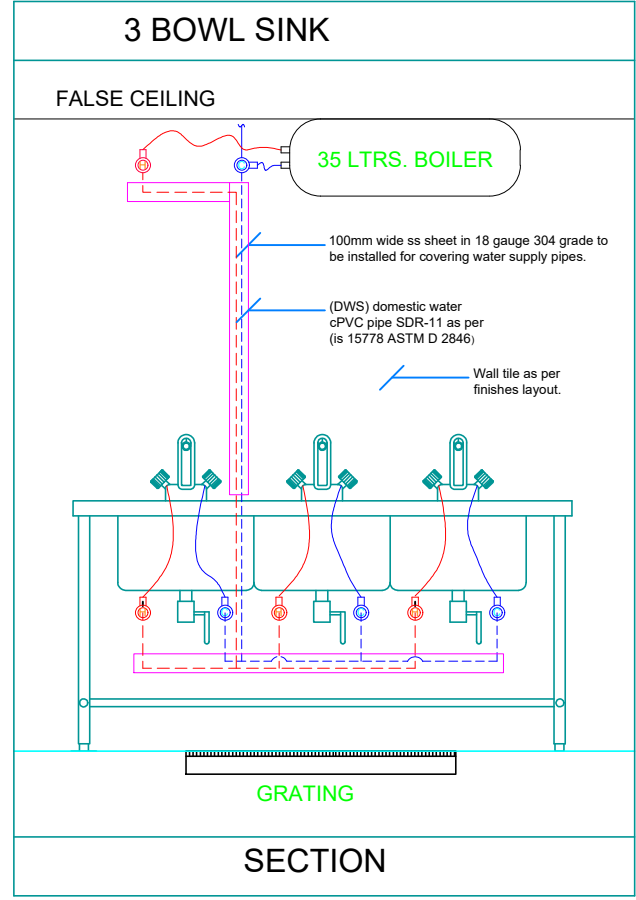
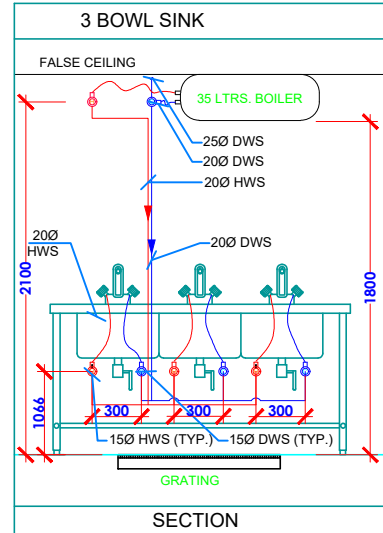
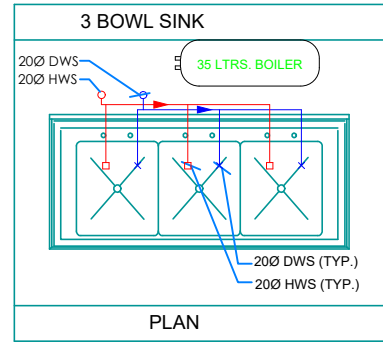
MOH AREA



SUPPLY BASE



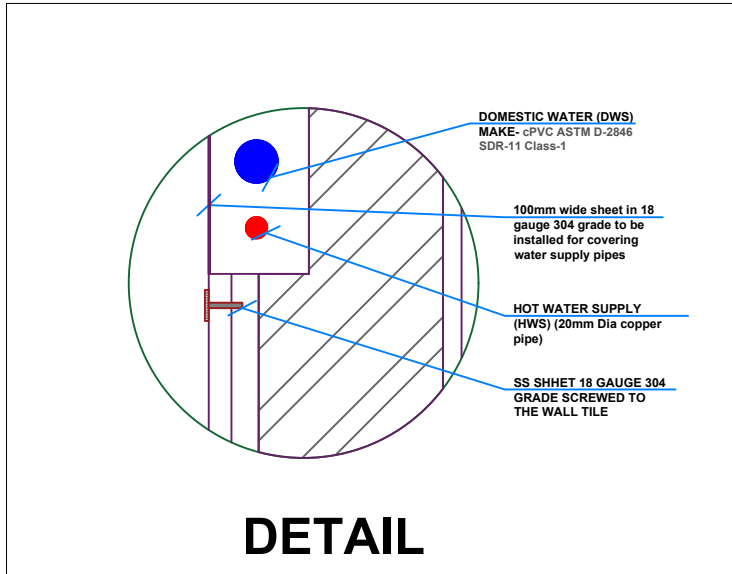
DISH WASH AREA



LEGEND

	200 HOT WATER SUPPLY - HWS
	200 DOMESTIC WATER SUPPLY - DWS
	ANGLE COCK FOR HOT WATER
	ANGLE COCK FOR COLD WATER

- WATER SUPPLY**
- ALL WATER SUPPLY PIPING SHALL BE CPVC.I.E. 10KG/CM2 PRESSURE RATING (ASTRAL/SUPREME MAKE) (cPVC PIPE-SRD 11 CLASS CONFIRMING THE ASTM D2846 & IS15778)
 - COPPER PIPING SHOULD BE INSTALLED FOR HOT WATER DISTRIBUTION.
 - ALL HOT WATER SUPPLY AND RETURN PIPING SHALL BE COVERED WITH 25MM OR NITRILE RUBBER AS SPECIFIED



NOTES :

THE COPYRIGHT OF THIS DRAWING REMAINS WITH WHITE WATER DESIGN STUDIO AND IT MAY NOT BE REPRODUCED IN ANY WHICH MANNER WITHOUT PRIOR WRITTEN CONSENT.

- FIGURED DIMENSIONS ARE TO BE USED IN PREFERENCES TO SCALED SIZES. ALL DIMENSIONS MUST BE CHECKED BEFORE COMMENCING WORK ON SITE.
- THIS DRAWINGS TO BE READ IN CONJUNCTION WITH ALL OTHER RELEVANT DRAWINGS.
- ALL PROPOSED WORKS TO BE CARRIED OUT IN ACCORDANCE WITH TECHNICAL SPECIFICATIONS AND SCHEDULES MENTIONED FOR INTERIOR WORKS.
- READ THIS DRAWING IN CONJUNCTION WITH ALL CONSULTANTS' & SPECIALISTS' DRAWINGS, DETAILS, SCHEDULES & SPECIFICATIONS FOR :
i. SPRINKLER INSTALLATION
ii. AUTOMATIC FIRE DETECTION SYSTEMS
iii. AIR-CONDITIONING SYSTEM & DISTRIBUTION(HVAC)
iv. EMERGENCY LIGHTING
v. PRIMARY WIRING DESIGN & DISTRIBUTION
- ALL WORK IS TO BE CARRIED OUT STRICTLY IN ACCORDANCE WITH IS STANDARDS (WHERE APPLICABLE) & BEST TRADE PRACTICES. ALL WORK MUST SATISFY THE REQUIREMENTS OF THE LOCAL AUTHORITIES.
- WHITE WATER DESIGN STUDIO TO APPROVE ALL CONTRACTORS' SETTINGS OUT & ALL CO-ORDINATION SHOP DRAWINGS PRIOR TO ALL MANUFACTURERS, CONTRACTORS, INSTALLERS & SPECIALISTS TO BE RESPONSIBLE FOR ENSURING THAT ALL OF THEIR COMMENCEMENT OF INSTALLATION
- WORKS FULLY COMPLY WITH THE REQUIREMENTS OF THE LOCAL AUTHORITIES & FIRE DEPARTMENT & THAT ALL SAFETY STANDARDS ARE MET THROUGHOUT.
- ALL FIT-OUT CONTRACTORS & SPECIALISTS TO PREPARE FULL SHOP DRAWINGS WITH SPECIFIC REFERENCE TO SITE CONDITIONS FOR WHITE WATER DESIGN STUDIO APPROVAL PRIOR TO MANUFACTURE & INSTALLATION AS APPROPRIATE TO THEIR TASK.



AMMENDMENTS :

S.NO.	REV.DATE	DESCRIPTION
1.	03.11.2023	PART GFC
2.	30.11.2023	GFC

DRAWING NO :
KFC-AIR-DL-PLU-WSDTL-10 R0

DRAWING TITLE :
WATER SUPPLY DETAILS LAYOUT

LOCATION :
DELHI

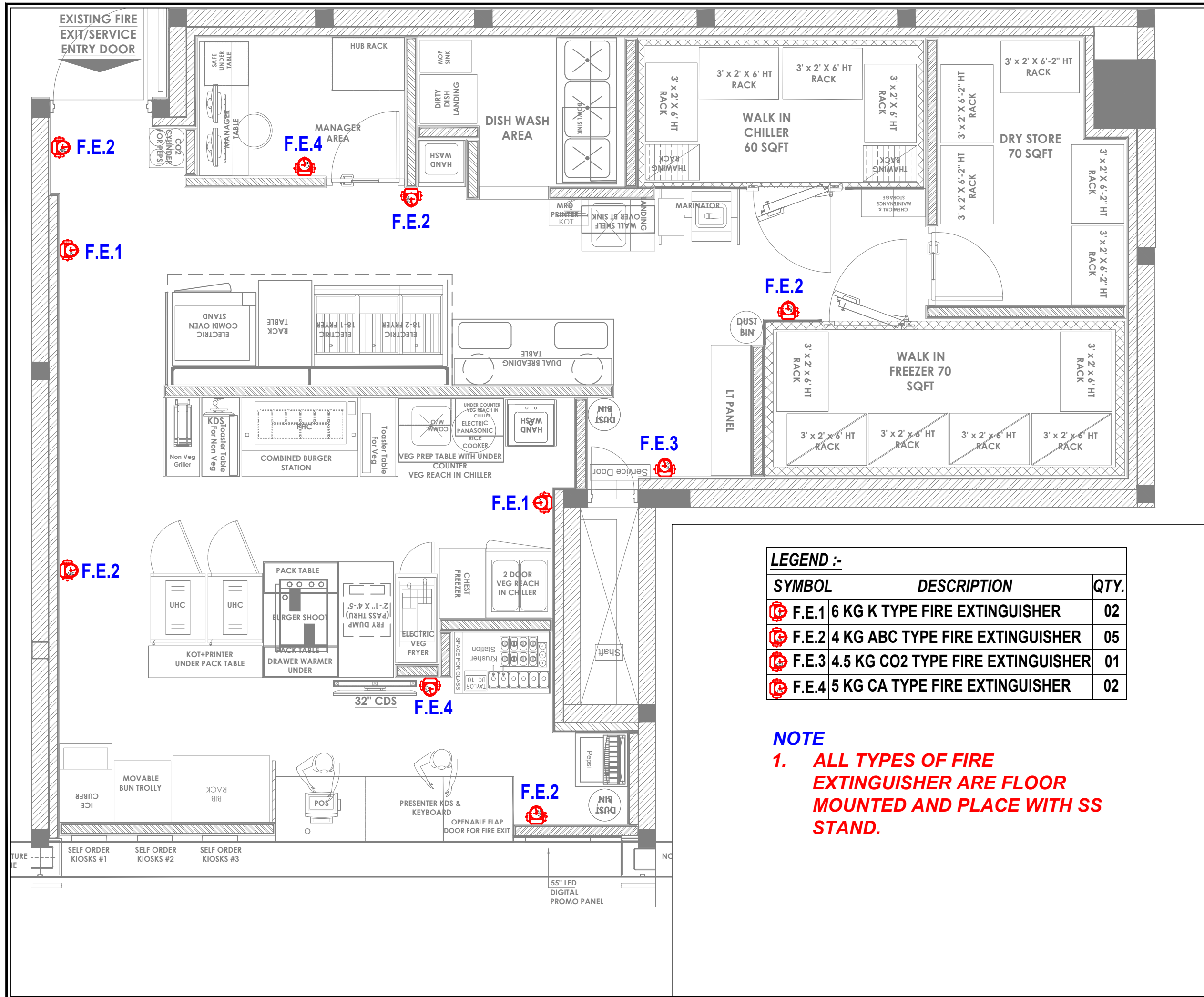
DATE : 30.11.2023
SCALE : NTS
DRN. BY : VAIBHAV
CHKD. BY : RITESH

PROJECT :
KFC, AIRPORT @ DELHI.

CLIENT :
TRAVEL FOOD SERVICE

WHITE WATER R
DESIGN STUDIO

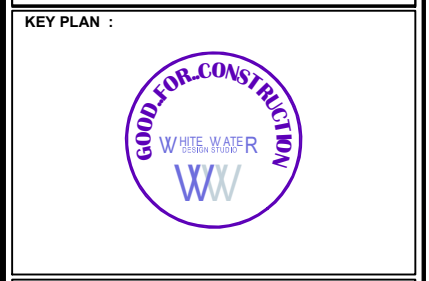
WW
HEAD OFFICE:-
Anchorage, off Govandi Station Rd
Near Amarnath Patil Ground, Govandi-(E)
Mumbai 400 088
TEL: +91 22 6740 7640.
Email:studio@whitewaterdesign.in



NOTES :

THE COPYRIGHT OF THIS DRAWING REMAINS WITH WHITE WATER DESIGN STUDIO AND IT MAY NOT BE REPRODUCED IN ANY WHICH MANNER WITHOUT PRIOR WRITTEN CONSENT.

- FIGURED DIMENSIONS ARE TO BE USED IN PREFERENCES TO SCALED SIZES. ALL DIMENSIONS MUST BE CHECKED BEFORE COMMENCING WORK ON SITE.
- THIS DRAWINGS TO BE READ IN CONJUNCTION WITH ALL OTHER RELEVANT DRAWINGS.
- ALL PROPOSED WORKS TO BE CARRIED OUT IN ACCORDANCE WITH TECHNICAL SPECIFICATIONS AND SCHEDULES MENTIONED FOR INTERIOR WORKS.
- READ THIS DRAWING IN CONJUNCTION WITH ALL CONSULTANTS' & SPECIALISTS' DRAWINGS, DETAILS, SCHEDULES & SPECIFICATIONS FOR :
 i. SPRINKLER INSTALLATION
 ii. AUTOMATIC FIRE DETECTION SYSTEMS
 iii. AIR CONDITIONING SYSTEM & DISTRIBUTION (HVAC)
 iv. EMERGENCY LIGHTING
 v. PRIMARY WIRING DESIGN & DISTRIBUTION
- ALL WORK IS TO BE CARRIED OUT STRICTLY IN ACCORDANCE WITH IS STANDARDS (WHERE APPLICABLE) & BEST TRADE PRACTICES. ALL WORK MUST SATISFY THE REQUIREMENTS OF THE LOCAL AUTHORITIES.
- WHITE WATER DESIGN STUDIO TO APPROVE ALL CONTRACTORS' SETTINGS OUT & ALL CO-ORDINATION SHOP DRAWINGS PRIOR TO ALL MANUFACTURERS, CONTRACTORS, INSTALLERS & SPECIALISTS TO BE RESPONSIBLE FOR ENSURING THAT ALL OF THEIR COMMENCEMENT OF INSTALLATION
- WORKS FULLY COMPLY WITH THE REQUIREMENTS OF THE LOCAL AUTHORITIES & FIRE DEPARTMENT & THAT ALL SAFETY STANDARDS ARE MET THROUGHOUT.
- ALL FIT-OUT CONTRACTORS & SPECIALISTS TO PREPARE FULL SHOP DRAWINGS WITH SPECIFIC REFERENCE TO SITE CONDITIONS FOR WHITE WATER DESIGN STUDIO APPROVAL PRIOR TO MANUFACTURE & INSTALLATION AS APPROPRIATE TO THEIR TASK.



AMMENDMENTS :

S.NO.	REV.DATE	DESCRIPTION
1.	03.11.2023	PART GFC
2.	30.11.2023	GFC
3.	07.12.2023	R1

DRAWING NO :
KFC-AIR-DL-PLU-FEL-11 **R1**

DRAWING TITLE :
FIRE EXTINGUISHER LAYOUT

LOCATION :
DELHI

DATE : 30.11.2023
SCALE : NTS
DRN. BY : VAIBHAV
CHKD. BY : RITESH

PROJECT :
KFC, AIRPORT @ DELHI.

CLIENT :
TRAVEL FOOD SERVICE

WHITE WATER DESIGN STUDIO

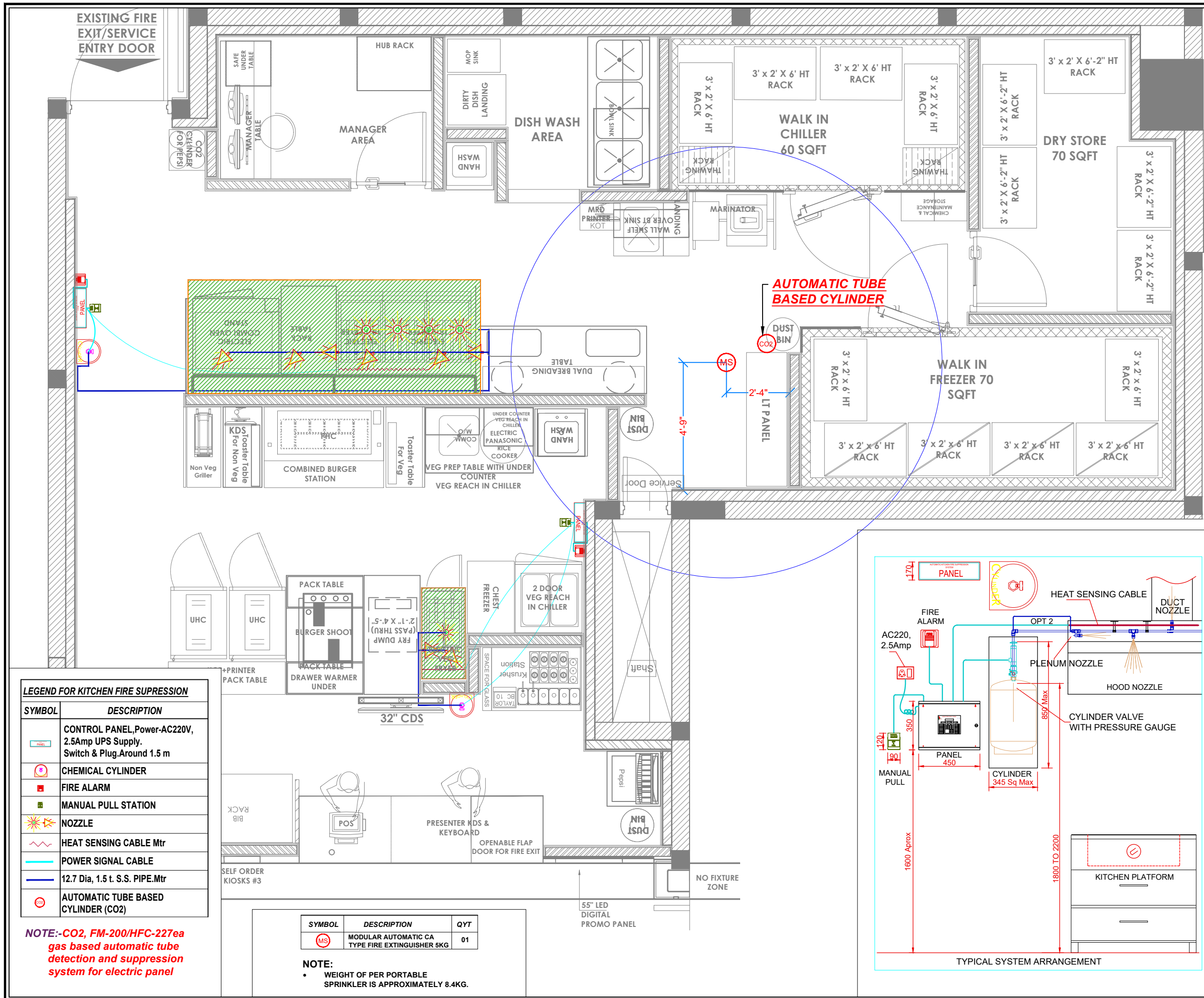
WWD

HEAD OFFICE:-
 Anchorage, off Govandi Station Rd
 Near Amarnath Patil Ground, Govandi-(E)
 Mumbai 400 088
 TEL: +91 22 6740 7640.
 Email: studio@whitewaterdesign.in

LEGEND :-

SYMBOL	DESCRIPTION	QTY.
	6 KG K TYPE FIRE EXTINGUISHER	02
	4 KG ABC TYPE FIRE EXTINGUISHER	05
	4.5 KG CO2 TYPE FIRE EXTINGUISHER	01
	5 KG CA TYPE FIRE EXTINGUISHER	02


NOTE
1. ALL TYPES OF FIRE EXTINGUISHER ARE FLOOR MOUNTED AND PLACE WITH SS STAND.



NOTES :

- FIGURED DIMENSIONS ARE TO BE USED IN PREFERENCE TO SCALED SIZES. ALL DIMENSIONS MUST BE CHECKED BEFORE COMMENCING WORK ON SITE.
- THIS DRAWINGS TO BE READ IN CONJUNCTION WITH ALL OTHER RELEVANT DRAWINGS.
- ALL PROPOSED WORKS TO BE CARRIED OUT IN ACCORDANCE WITH TECHNICAL SPECIFICATIONS AND SCHEDULES MENTIONED FOR INTERIOR WORKS.
- READ THIS DRAWING IN CONJUNCTION WITH ALL CONSULTANTS' & SPECIALISTS' DRAWINGS, DETAILS, SCHEDULES & SPECIFICATIONS FOR :
 i. SPRINKLER INSTALLATION
 ii. AUTOMATIC FIRE DETECTION SYSTEMS
 iii. AIR CONDITIONING SYSTEM & DISTRIBUTION (HVAC)
 iv. EMERGENCY LIGHTING
 v. PRIMARY WIRING DESIGN & DISTRIBUTION
- ALL WORK IS TO BE CARRIED OUT STRICTLY IN ACCORDANCE WITH IS STANDARDS (WHERE APPLICABLE) & BEST TRADE PRACTICES. ALL WORK MUST SATISFY THE REQUIREMENTS OF THE LOCAL AUTHORITIES.
- WHITE WATER DESIGN STUDIO TO APPROVE ALL CONTRACTORS' SETTINGS OUT & ALL CO-ORDINATION SHOP DRAWINGS PRIOR TO ALL MANUFACTURERS, CONTRACTORS, INSTALLERS & SPECIALISTS TO BE RESPONSIBLE FOR ENSURING THAT ALL OF THEIR COMMENCEMENT OF INSTALLATION
- WORKS FULLY COMPLY WITH THE REQUIREMENTS OF THE LOCAL AUTHORITIES & FIRE DEPARTMENT & THAT ALL SAFETY STANDARDS ARE MET THROUGHOUT.
- ALL FIT-OUT CONTRACTORS & SPECIALISTS TO PREPARE FULL SHOP DRAWINGS WITH SPECIFIC REFERENCE TO SITE CONDITIONS FOR WHITE WATER DESIGN STUDIO APPROVAL PRIOR TO MANUFACTURE & INSTALLATION AS APPROPRIATE TO THEIR TASK.

KEY PLAN :



AMMENDMENTS :

S.NO.	REV.DATE	DESCRIPTION
1.	03.11.2023	PART GFC
2.	30.11.2023	GFC

DRAWING NO :
KFC-AIR-DL-PLU-FSL-12 **R0**

DRAWING TITLE :
FIRE SUPPRESSION LAYOUT

LOCATION :
DELHI

DATE : 30.11.2023
SCALE : NTS
DRN. BY : VAIBHAV
CHKD. BY : RITESH

PROJECT :
KFC, AIRPORT @ DELHI.

CLIENT :
TRAVEL FOOD SERVICE

WHITE WATER DESIGN STUDIO

WWD

HEAD OFFICE:-
 Anchorage, off Govandi Station Rd
 Near Amarnath Patil Ground, Govandi-(E)
 Mumbai 400 088
 TEL: +91 22 6740 7640.
 Email: studio@whitewaterdesign.in