

NOTES :
1.

KEY PLAN

REV NO	DESCRIPTION REVISION	DATE

SEAL :

CLIENT : K-HOSPITALITY

STRUCTURE CONSULTANTS :


Western Outdoor Structures Pvt. Ltd.
 Mfg. of Tensile Membrane Structures
 6/05-04, Sila Vihar Old IIG Busson Estate, I.I.S. Marg, Vaspuke, Thane (W) - 400022
 Tele/Fax : + 91 22 25436756 , Web : www.westernoutdoor.in
 Email : info@westernoutdoor.in / buckylander@satyam.co.uk

Copyright in the work manifested in this document belongs to Western Outdoor. Supply here of is subject to the restriction on the use and dissemination to the contents and of design and ideas contained therein or derived there from. Infringement of such restrictions or of copyright may lead to legal action.

PROJECT :
PROPOSED FABRIC STRUCTURE AT WORLI

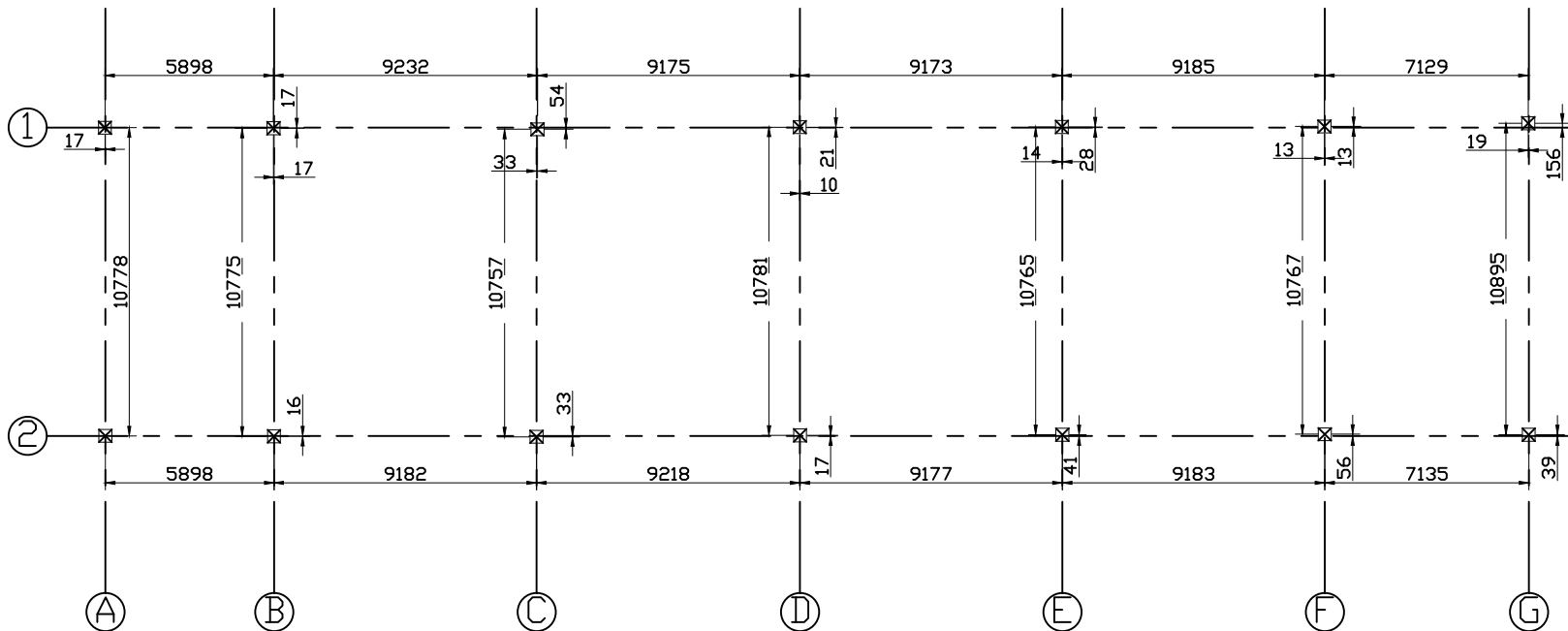
CATEGORY: GENERAL ARRANGEMENT DRAWING

FAMILY: BLUE SEA

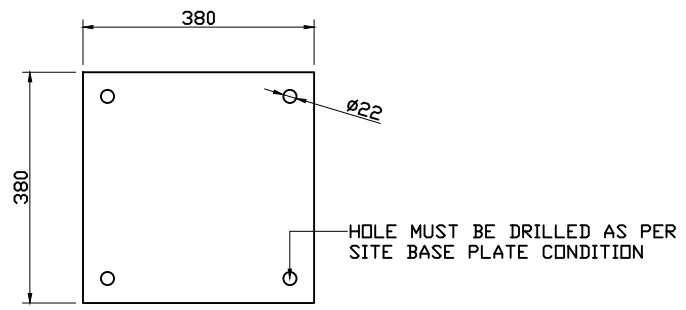
DRAWING TITLE :
SUPERIMPOSED STRUCTURE IN PLAN

SCALE	DESIGNED	NAME	DATE
NTS	DRAWN	VENKY	08/02/2015
	CHECKED	DATTA	08/02/2015
	APPROVED		

PROJECT NO: P 615 ORG NO: WOSPL / OR/615 REV: 00 SHEET: 01 OF 10



BASE PLATE LAYOUT



BASE PLATE
380X380X20MM.THK.
QTY-14

NOTES :
1.

KEY PLAN

REV NO	DESCRIPTION REVISION	DATE

SEAL :

CLIENT : K-HOSPITALITY

STRUCTURE CONSULTANTS :

Western Outdoor Structures Pvt. Ltd.
Mfg. of Tensile Membrane Structures
RDS-04, Sila Vihar QIS 114, Daman Estate, L.S. Marg, Vaspothi, Thane (W) - 400022
Tel/Fax : + 91 22 25426756 , Web : www.westernoutdoor.in
Email : info@westernoutdoor.in / buckyblair@wahoo.co.uk

Copyright in the work manifested in this document belongs to Western Outdoor. Supply here of is subject to the restriction on the use and dissemination to the contents and of design and ideas contained therein or derived there from. Infringement of such restrictions or of copyright may lead to legal action.

PROJECT :
PROPOSED FABRIC STRUCTURE AT WORLI

CATEGORY: GENERAL ARRANGEMENT DRAWING

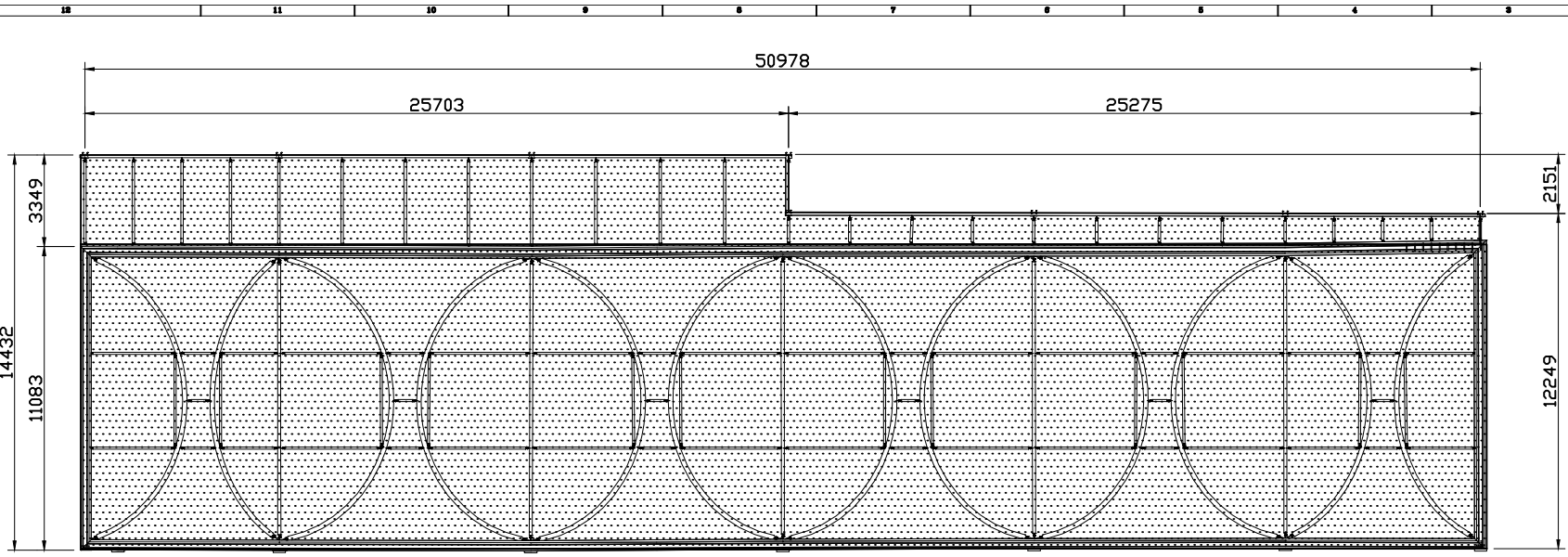
FAMILY: BLUE SEA

DRAWING TITLE :
BASE PLATE LAYOUT

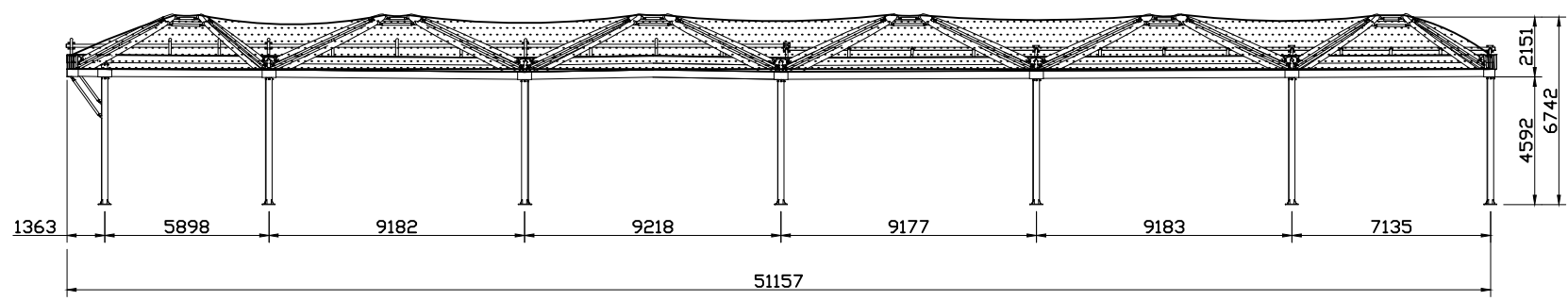
SCALE	DESIGNED	NAME	DATE
NTS			

PROJECTION	DRAWN	VENKY	08/02/2015
	CHECKED	DATTA	08/02/2015
	APPROVED		

PROJECT NO: P 615	ORG NO: WOSPL / OR/615	REV: 00	SHEET: 04 OF 10
----------------------	---------------------------	------------	--------------------



PLAN VIEW OF STRUCTURE



ELEVATION OF STRUCTURE

NOTES :
1.

KEY PLAN

REV NO	DESCRIPTION / REVISION	DATE

SEAL :

CLIENT : K-HOSPITALITY

STRUCTURE CONSULTANTS :

Western Outdoor Structures Pvt. Ltd.
Mfg. of Tensile Membrane Structures
B-105/04, Sita Vihar CHS Ltd, Daman Estate, LBS Marg, Vaspuke, Thane (W) - 400002
Tel/Fax : + 91 22 25426756 , Web : www.westernoutdoor.in
Email : info@westernoutdoor.in / buckyblair@wahoo.co.uk

Copyright in the work manifested in this document belongs to Western Outdoor. Supply here of is subject to the restriction on the use and dissemination to the contents and of design and ideas contained therein or derived there from. Infringement of such restrictions or of copyright may lead to legal action.

PROJECT :
PROPOSED FABRIC STRUCTURE AT WORLI

CATEGORY: GENERAL ARRANGEMENT DRAWING

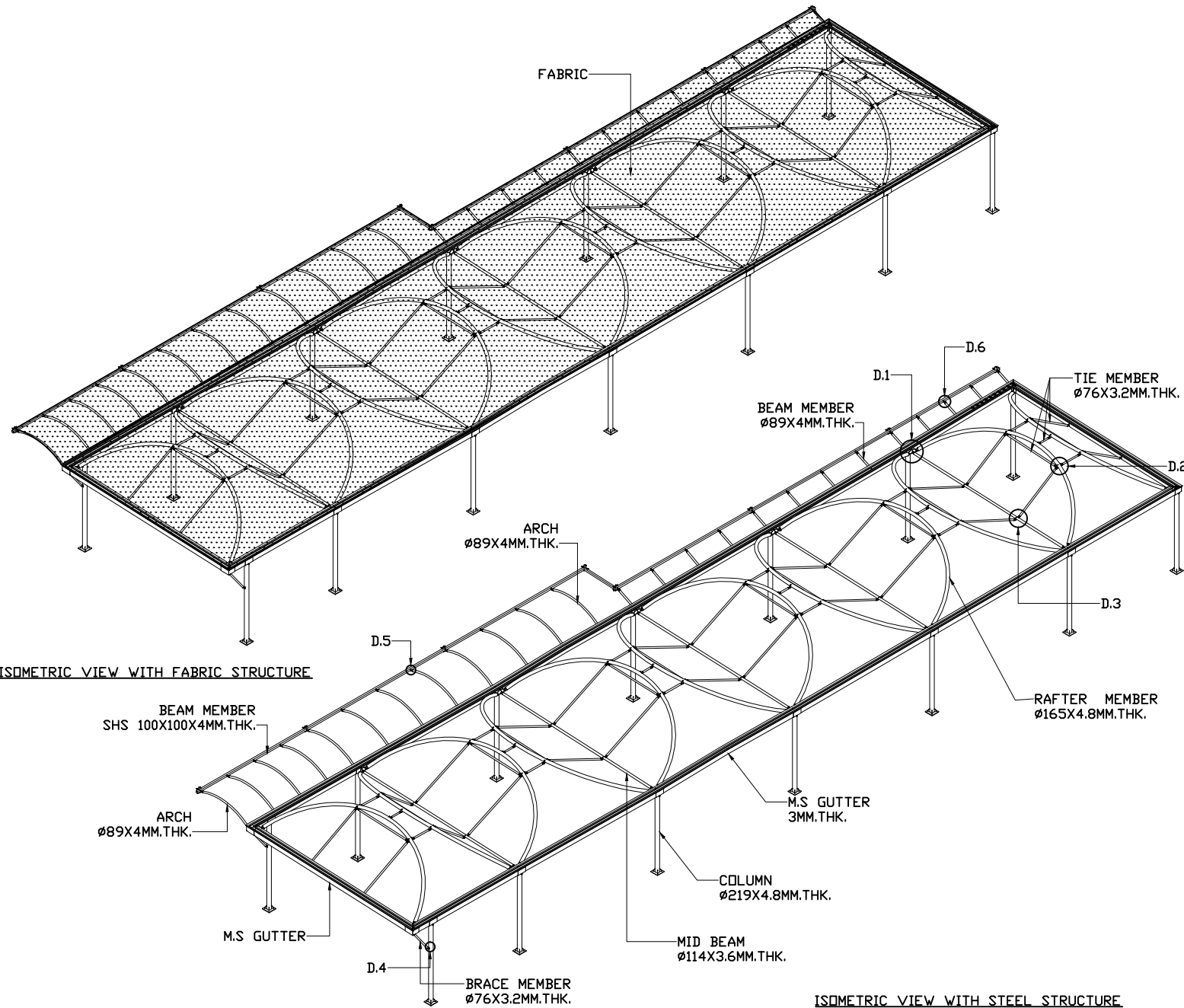
FAMILY: BLUE SEA

DRAWING TITLE:
PLAN & ELEVATION

SCALE	DESIGNED	NAME	DATE
NTS			

PROJECTION	DRAWN	VENKY	08/02/2015
	CHECKED	DATTA	08/02/2015
	APPROVED		

PROJECT NO: P 615	ORG NO: WOSPL / OR/615	REV: 00	SHEET: 05 OF 10
----------------------	---------------------------	------------	--------------------



ISOMETRIC VIEW WITH FABRIC STRUCTURE

ISOMETRIC VIEW WITH STEEL STRUCTURE

NOTES :
1.

KEY PLAN

REV NO	DESCRIPTION REVISION	DATE

SEAL :

CLIENT : K-HOSPITALITY

STRUCTURE CONSULTANTS :

Western Outdoor Structures Pvt. Ltd.
 Mfg. of Tensile Membrane Structures
 E-05-04, Sita Vihar Old 114, Daman Estate, L.B.S. Marg, Vaspoli, Thane (W) - 400022
 Telefax : + 91 22 25426756 / Web : www.westernoutdoor.in
 Email : info@westernoutdoor.in / buckylander@satyam.co.uk

Copyright in the work manifested in this document belongs to Western Outdoor. Supply here of is subject to the restriction on the use and dissemination to the contents and of design and ideas contained therein or derived there from. Infringement of such restrictions or of copyright may lead to legal action.

PROJECT :
PROPOSED FABRIC STRUCTURE AT WORLI

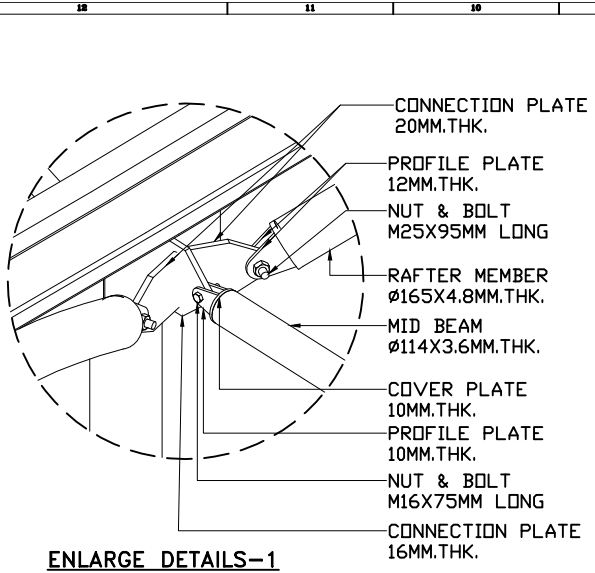
CATEGORY: GENERAL ARRANGEMENT DRAWING

FAMILY: BLUE SEA

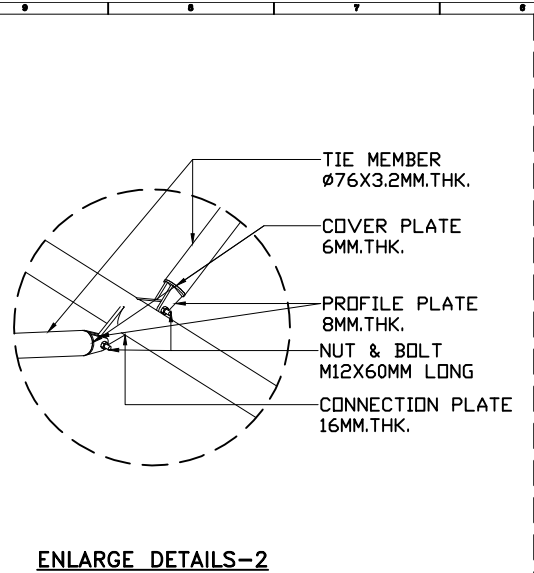
DRAWING TITLE:
ISOMETRIC VIEW WITH FABRIC & STEEL STRUCTURE

SCALE	DESIGNED	NAME	DATE
NTS	DRAWN	VENKY	08/09/2015
	CHECKED	DATTA	08/09/2015
	APPROVED		

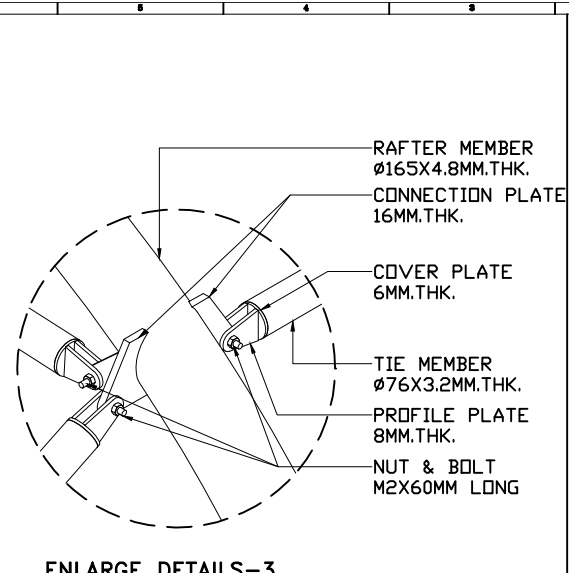
PROJECT NO: P 615 ORG NO: WOSPL / OR/615 REV: 00 SHEET: 07 OF 10



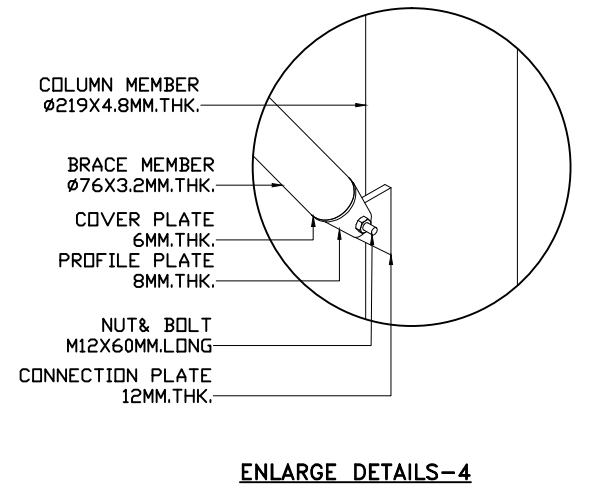
ENLARGE DETAILS-1



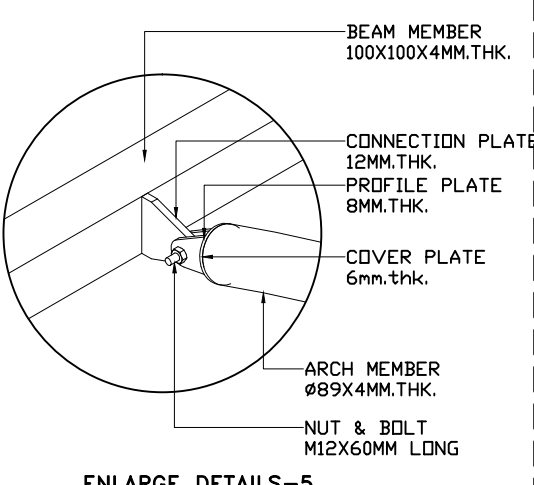
ENLARGE DETAILS-2



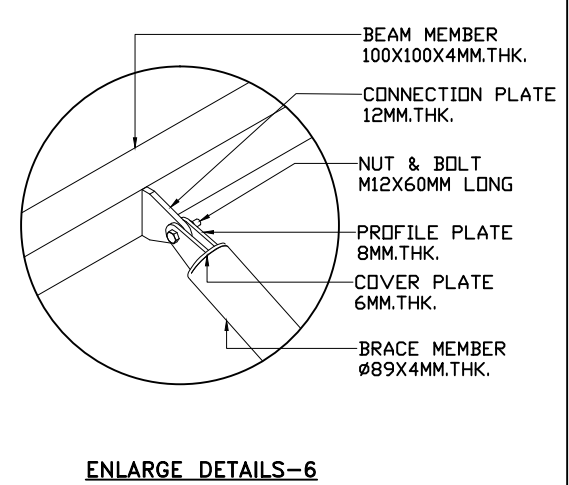
ENLARGE DETAILS-3



ENLARGE DETAILS-4



ENLARGE DETAILS-5



ENLARGE DETAILS-6

NOTES :
1.


KEY PLAN

REV NO	DESCRIPTION	DATE

SEAL :

CLIENT : K-HOSPITALITY

STRUCTURE CONSULTANTS :

 **Western Outdoor Structures Pvt. Ltd.**
 Mfg. of Tensile Membrane Structures
 B-105/04, Sita Vihar CHS Ltd., Daman Estate, L.B.S. Marg, Vaspothi, Thane (W) - 400022
 Telefax : + 91 22 25436756 , Web : www.westernoutdoor.in
 Email : info@westernoutdoor.in / buckyblader@satyam.co.uk

Copyright in the work manifested in this document belongs to Western Outdoor. Supply here of is subject to the restriction on the use and dissemination to the contents and of design and ideas contained therein or derived there from. Infringement of such restrictions or of copyright may lead to legal action.

PROJECT :
PROPOSED FABRIC STRUCTURE AT WORLI

CATEGORY: GENERAL ARRANGEMENT DRAWING

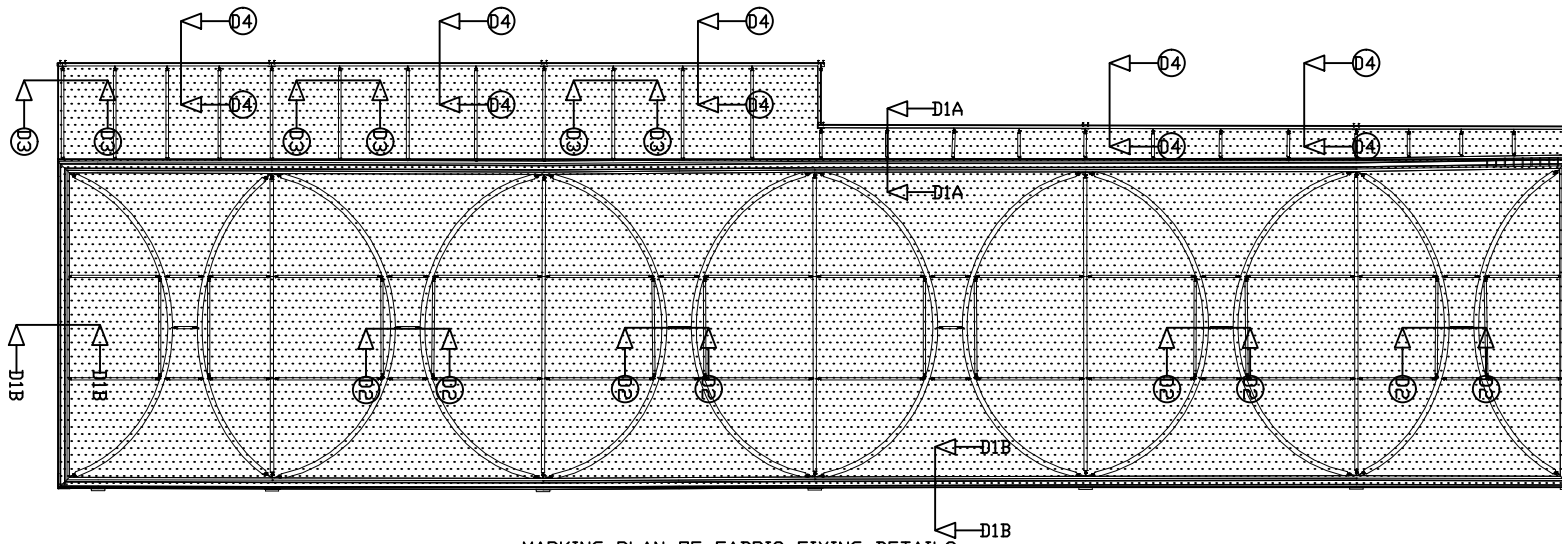
FAMILY: BLUE SEA

DRAWING TITLE:
ENLARGE DETAILS

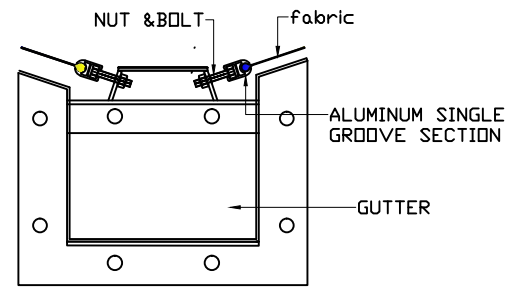
SCALE	DESIGNED	NAME	DATE
NTS			

PROJECTION	DRAWN	VENKY	08/09/2015
	CHECKED	DATTA	08/09/2015
	APPROVED		

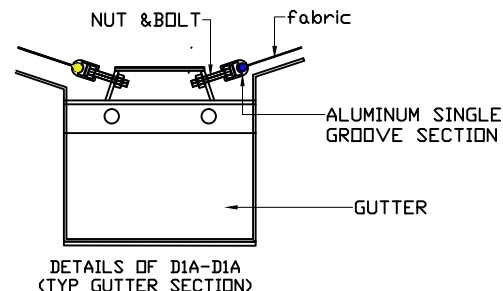
PROJECT NO: P 615 ORG NO: WOSPL / OR/615 REV: 00 SHEET: 08 OF 10



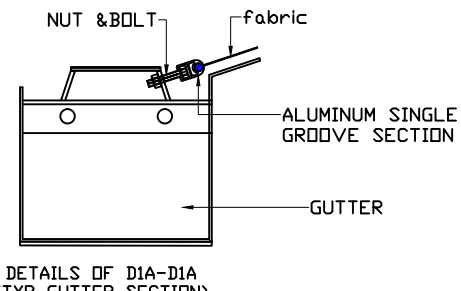
MARKING PLAN OF FABRIC FIXING DETAILS



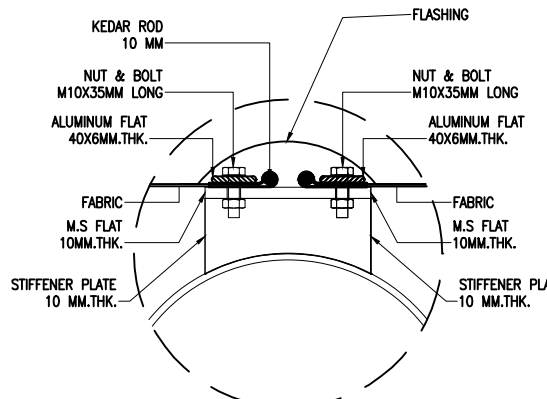
DETAILS OF D1-D1
(GUTTER TO GUTTER CONNECTION)



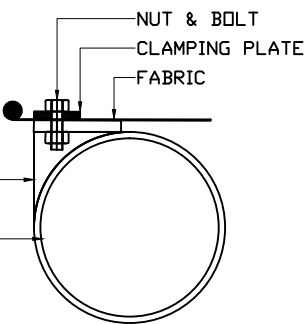
DETAILS OF D1A-D1A
(TYP GUTTER SECTION)



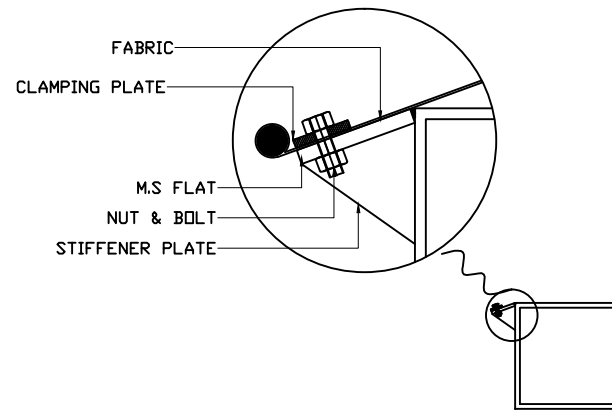
DETAILS OF D1A-D1A
(TYP GUTTER SECTION)



DETAILS OF D2-D2



DETAILS OF D3-D3



DETAILS OF D4-D4

NOTES :
1.

KEY PLAN

REV NO	DESCRIPTION	DATE

SEAL :

CLIENT : K-HOSPITALITY

STRUCTURE CONSULTANTS :

Western Outdoor Structures Pvt. Ltd.
Mfg. of Tensile Membrane Structures
B-105/04, Sita Vihar Old ISD, Daman Estate, I.E.S. Marg, Vaspuke, Thane (W) - 400025
Tel:fax : + 91 22 25140756 / Web : www.westernoutdoor.in
Email : info@westernoutdoor.in / buckyblair@satcom.co.uk

Copyright in the work manifested in this document belongs to Western Outdoor. Supply here of is subject to the restriction on the use and dissemination to the contents and of design and ideas contained therein or derived there from. Infringement of such restrictions or of copyright may lead to legal action.

PROJECT :
PROPOSED FABRIC STRUCTURE AT WORLI

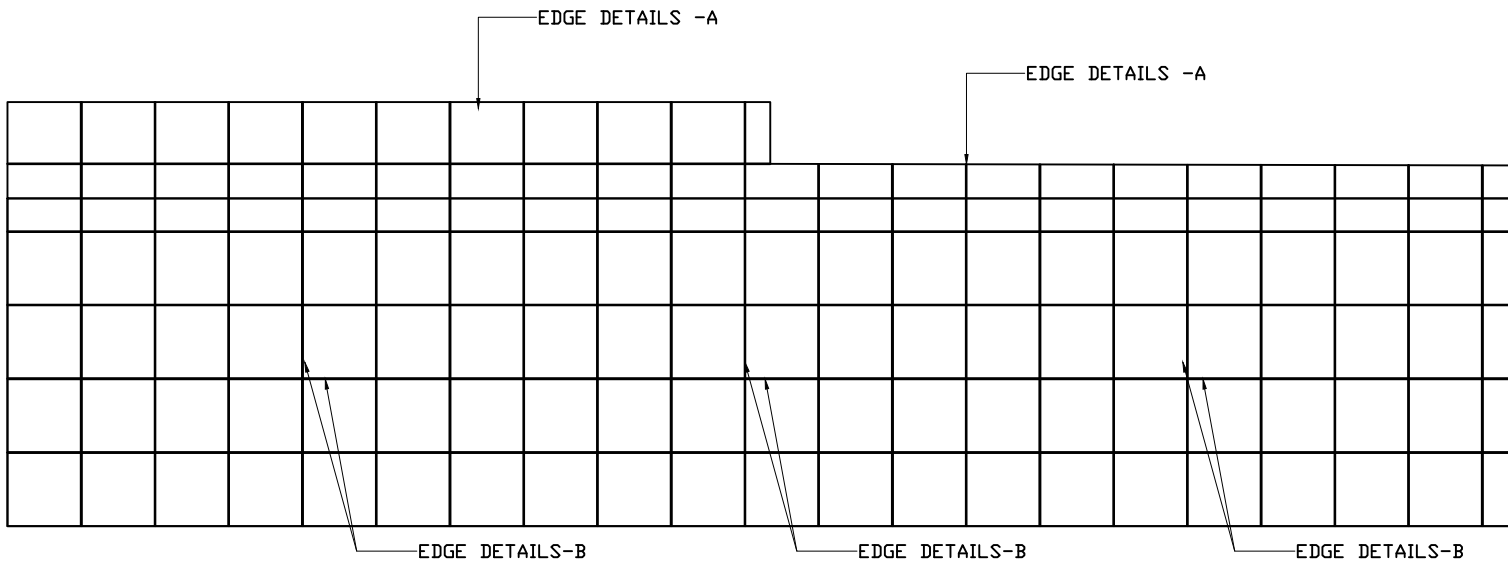
CATEGORY : GENERAL ARRANGEMENT DRAWING

FAMILY : BLUE SEA

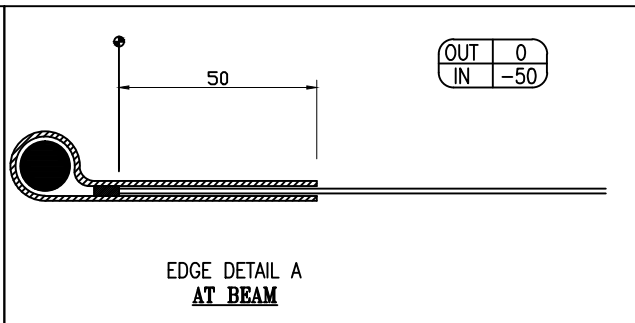
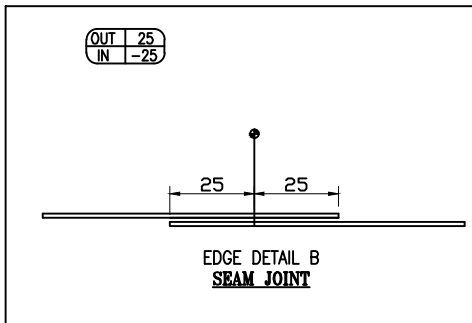
DRAWING TITLE :
FABRIC FIXING DETAILS

SCALE	DESIGNED	NAME	DATE
NTS			
	DRAWN	VENKY	08/02/2015
	CHECKED	DATTA	08/02/2015
	APPROVED		

PROJECT NO: P 615 ORG NO: WOSPL/ OR/615 REV: 00 SHEET: 09 OF 10



SEAM LAYOUT



NOTES :
1.

KEY PLAN

REV NO	DESCRIPTION / REVISION	DATE

SEAL :

CLIENT : K-HOSPITALITY

STRUCTURE CONSULTANTS :


Western Outdoor Structures Pvt. Ltd.
 Mfg. of Tensile Membrane Structures
 B-105/04, Silver Vihar Old ISL, Denson Estate, I.I.S. Marg, Vaspoli, Thane (W) - 400002
 Telefax : + 91 22 25426756 / Web : www.westernoutdoor.in
 Email : info@westernoutdoor.in / buckylander@satyam.co.uk



Copyright in the work manifested in this document belongs to Western Outdoor. Supply here of is subject to the restriction on the use and dissemination to the contents and of design and ideas contained therein or derived there from. Infringement of such restrictions or of copyright may lead to legal action.

PROJECT :
PROPOSED FABRIC STRUCTURE AT WORLI

CATEGORY: GENERAL ARRANGEMENT DRAWING

FAMILY: BLUE SEA

DRAWING TITLE :
SEAM LAYOUT

SCALE	DESIGNED	NAME	DATE
NTS	DRAWN	VENKY	08/02/2015
	CHECKED	DATTA	08/02/2015
	APPROVED		

PROJECT NO: P 615 ORG NO: WOSPL / OR/615 REV: 00 SHEET: 10 OF 10