

Eq.No :- CB-03

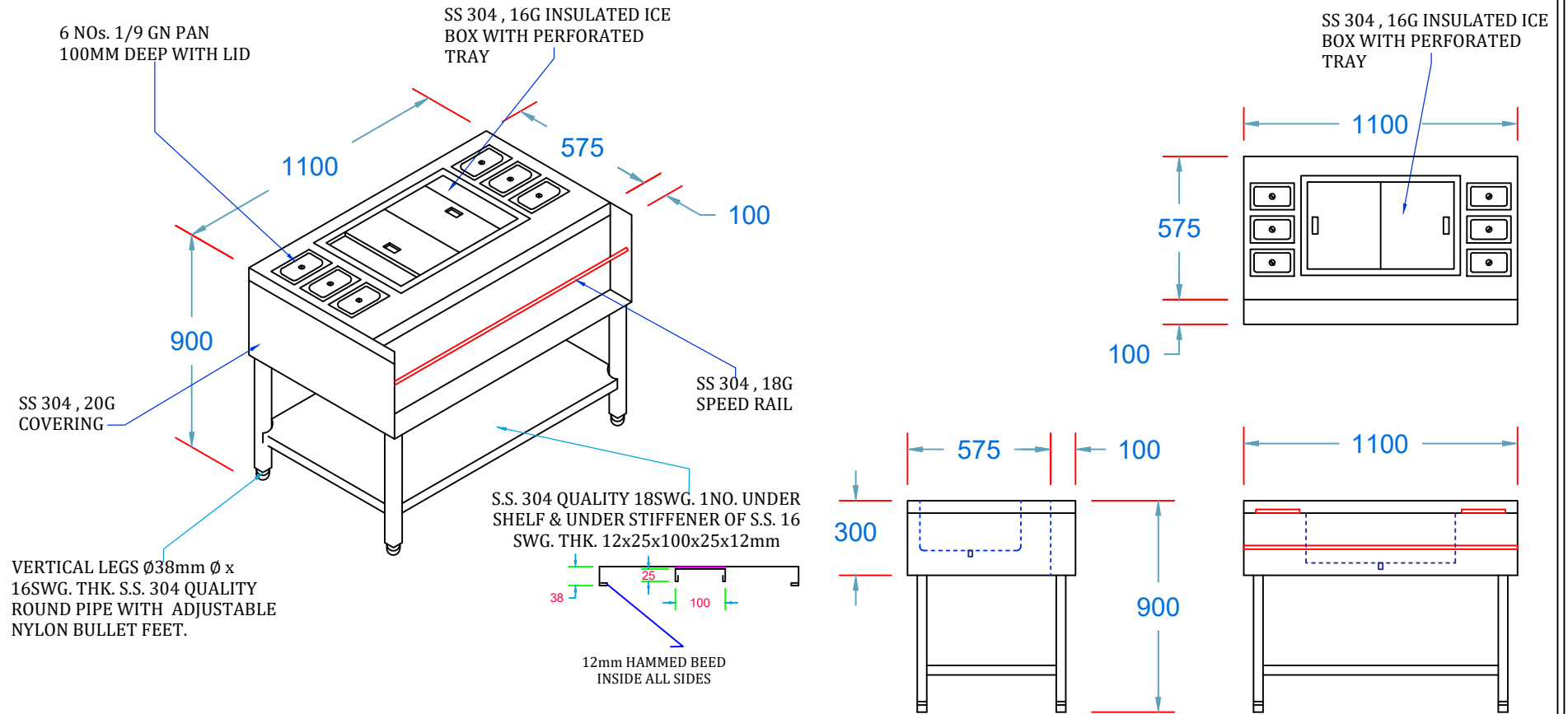
**COCKTAIL STATION 1 U/S WITH ICE BOX &
6 Nos, 1/9 GN PAN 100MM DEEP**


Over All Size:- 1100 x 575+100 x 900

Qty:- 1 No.

DRAWING

Dimensons Are In MM



TITLE :	GTB BAR	REV. NO :	---	DESIGN BY	Sign	 Travel Food Services
		DATE :	03.02.2024	DWN. BY : FAHEEM		
PROJECT :	CHENNAI	SCALE :	N.T.S.	CHKD BY: SAEED K.		
				APRVD BY:		