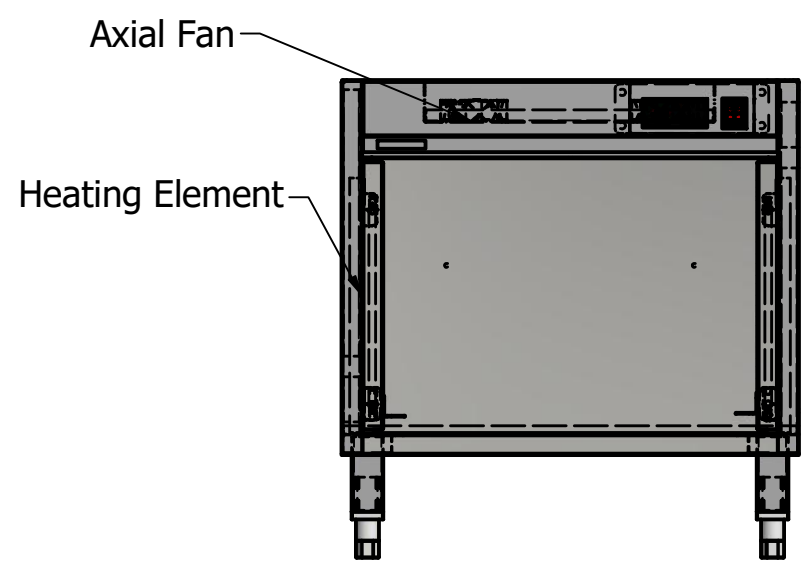
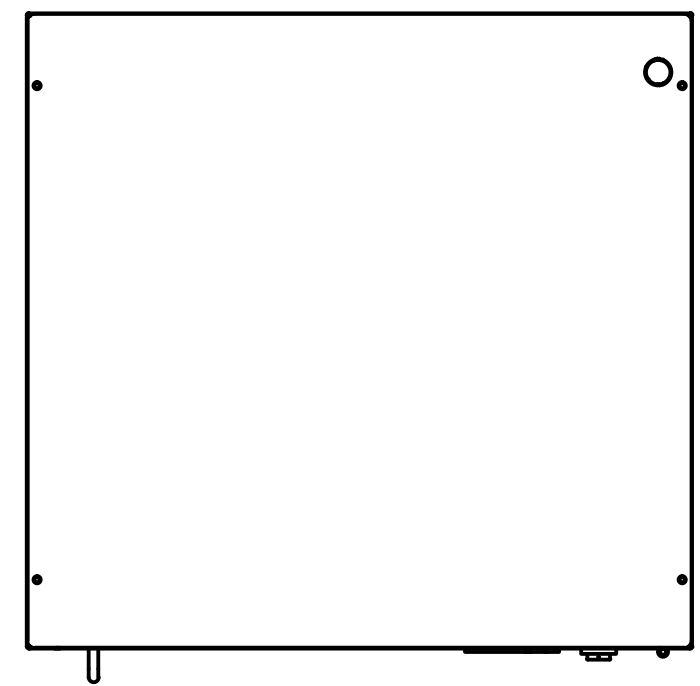
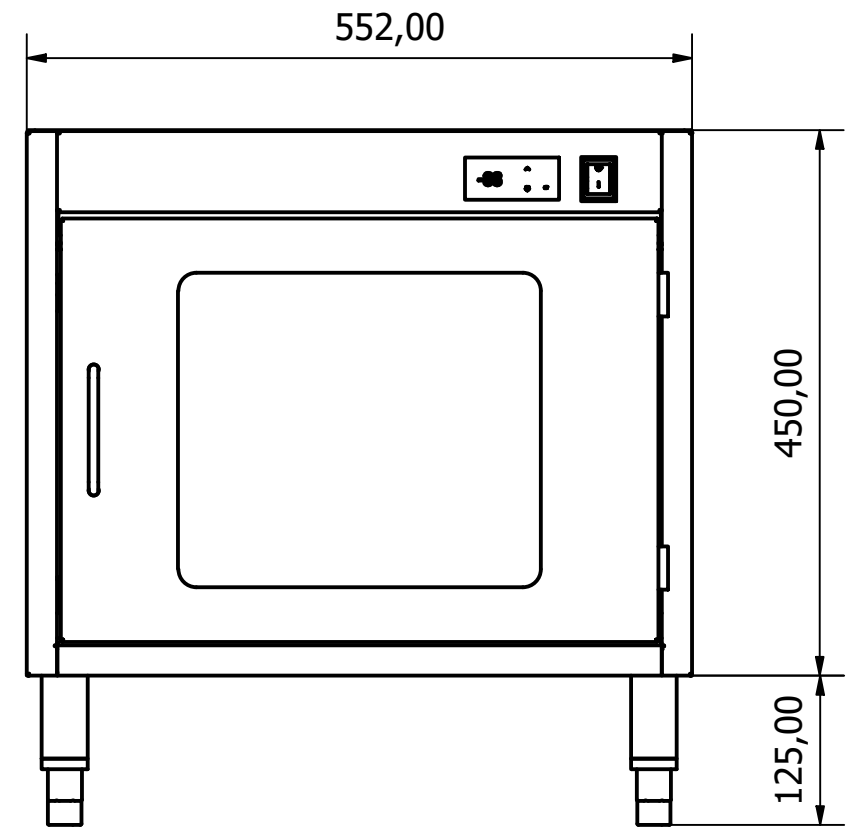
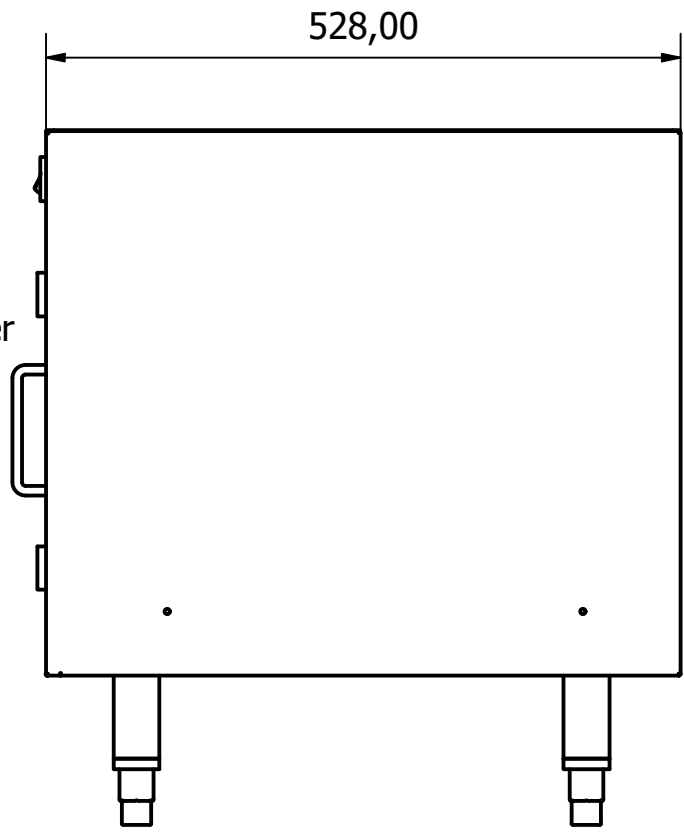
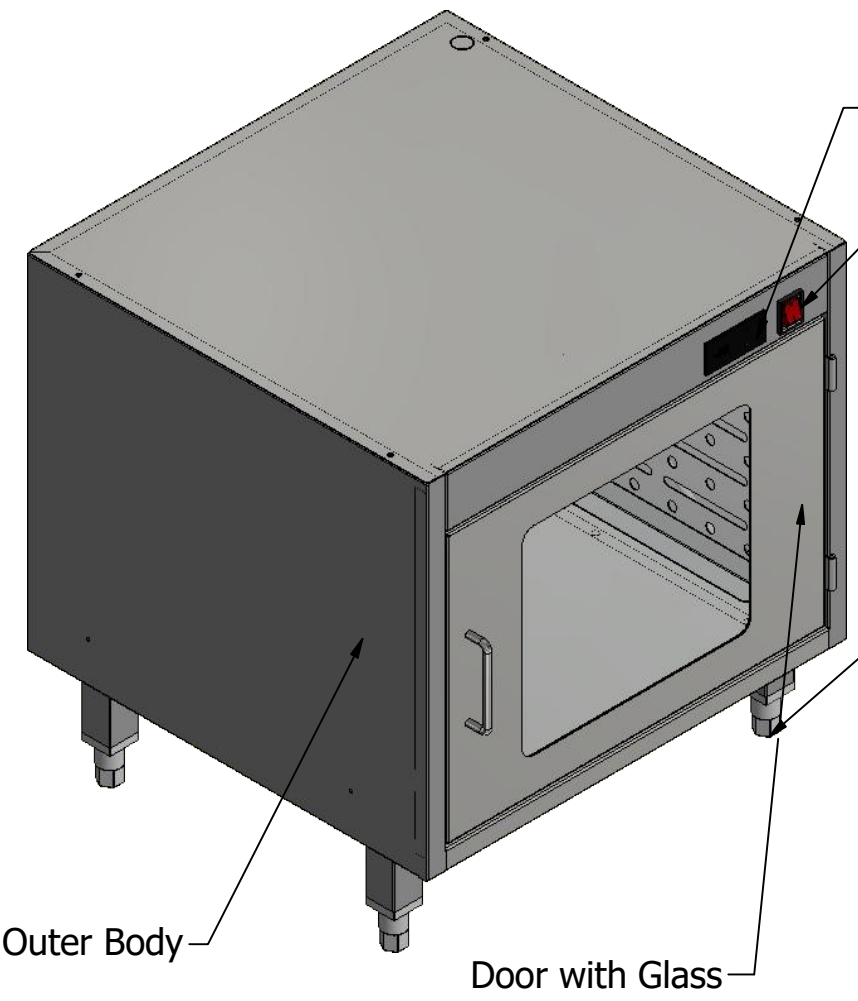


6 1 5 1 4 3 1 2 1 1

D  
C  
B  
A



**Specifications:**  
 Temp: Upto 50°C-60°C  
 Heater: Rod Heater  
 Rated Power: 230V/50Hz  
 Total Wattage: 500Watt

TITLE <b>Kadak Rumali Holding Unit</b>										
				TOLERANCES X AND X.X 1 mm ANGLES ±1 DEG OR AS NOTED		SUB-TITLE				
FABRICO ENGINEERING			SCALE AS NOTED		MATERIAL		REGION		REV	ITEM NUMBER
<small>These drawings and specifications are the property of Fabrico Engineering and shall not be reproduced, copied or transferred to any third party without the prior written permission of Fabrico Engineering, Aurangabad</small>			UNIT A3	FORMAT A3		THICKNESS				ND-2024-11

6 1 5 1 4 3 1 2 1 1

SHEET 1 OF 1

D  
C  
B  
A