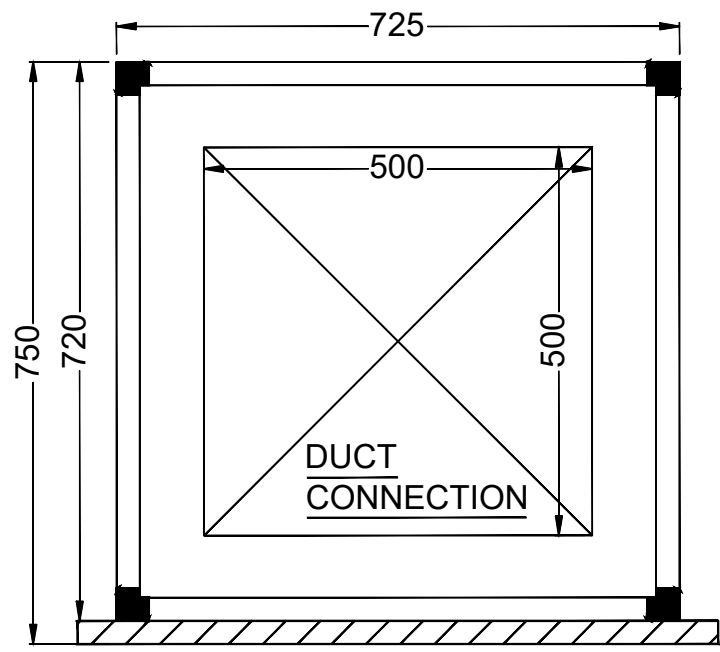
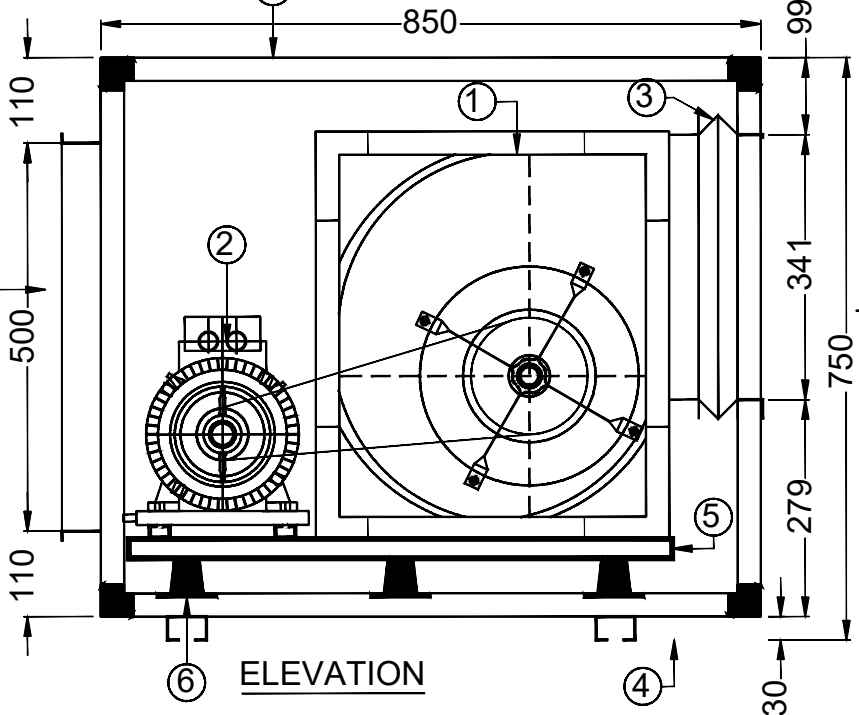


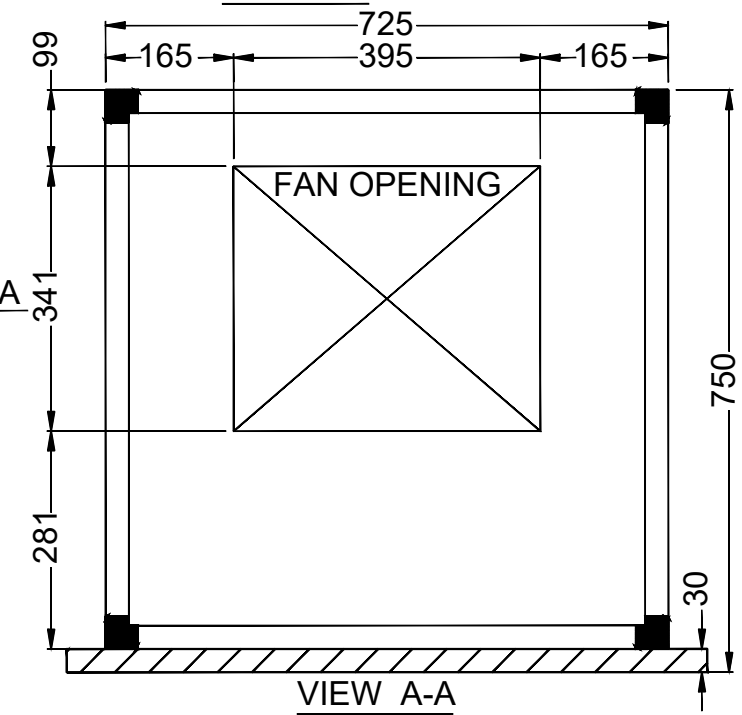
PLAN



VIEW B-B



ELEVATION



VIEW A-A

Static Pressure	40 mmwg				
Capacity	3000 CFM				
Sr.No.	Description	Make	Material	Size/Specification	Qty.
1	Blower Model	Fanair/Nicotral/Blowtech/Kruger	GI	12x12	01
1a	Fan RPM	----	----	990 RPM	--
1b	Fan Type	----	----	Centrifugal DIDW	--
1c	Fan Velocity	----	----	10.5 m/s	--
1d	Fan MOC	Fanair/Nicotral/Blowtech/Kruger	GI	----	--
2	Motor	BB/Siemens/Hindustan/Crompton		1.5 kw , 4 Pole	01
3	Canvas Connection	----	----	Fire Retardant	01
4	Unit Base	----	GI	850(L)x725(W)x30(H)	01
5	Fan & Motor Base	----	GI	700x455x25(H)	01
6	Vibration Isolator	----	---	30mm Rubber Mount	06
7	Casing				
7a	Single Skin Casing	----	GI	22G (0.8 mm)	--
7b	Profile	----	AL	Non Thermal Break (30mm)	--
8	Filter			Aluminium wiremesh prefilter	01

UNIT OVERALL DIMENSION :- 850(L)x725(W)x750(H)

REVISIONS

Rev	Date	Done by	Approved by	Revision done
01	06.01.2022	Modassir	Mayank Gupta	Fan size reduced



JUBILANT FOOD WORKS LTD.  
 LOGIX TECHNO PARK, 5TH FLOOR  
 TOWER-D SECTOR -127 NOIDA-201304,  
 PHONE: 0120-4090500; +91-8802289724  
 Email : ravinder.singh@jublfood.com