

TRAVEL FOOD SERVICES

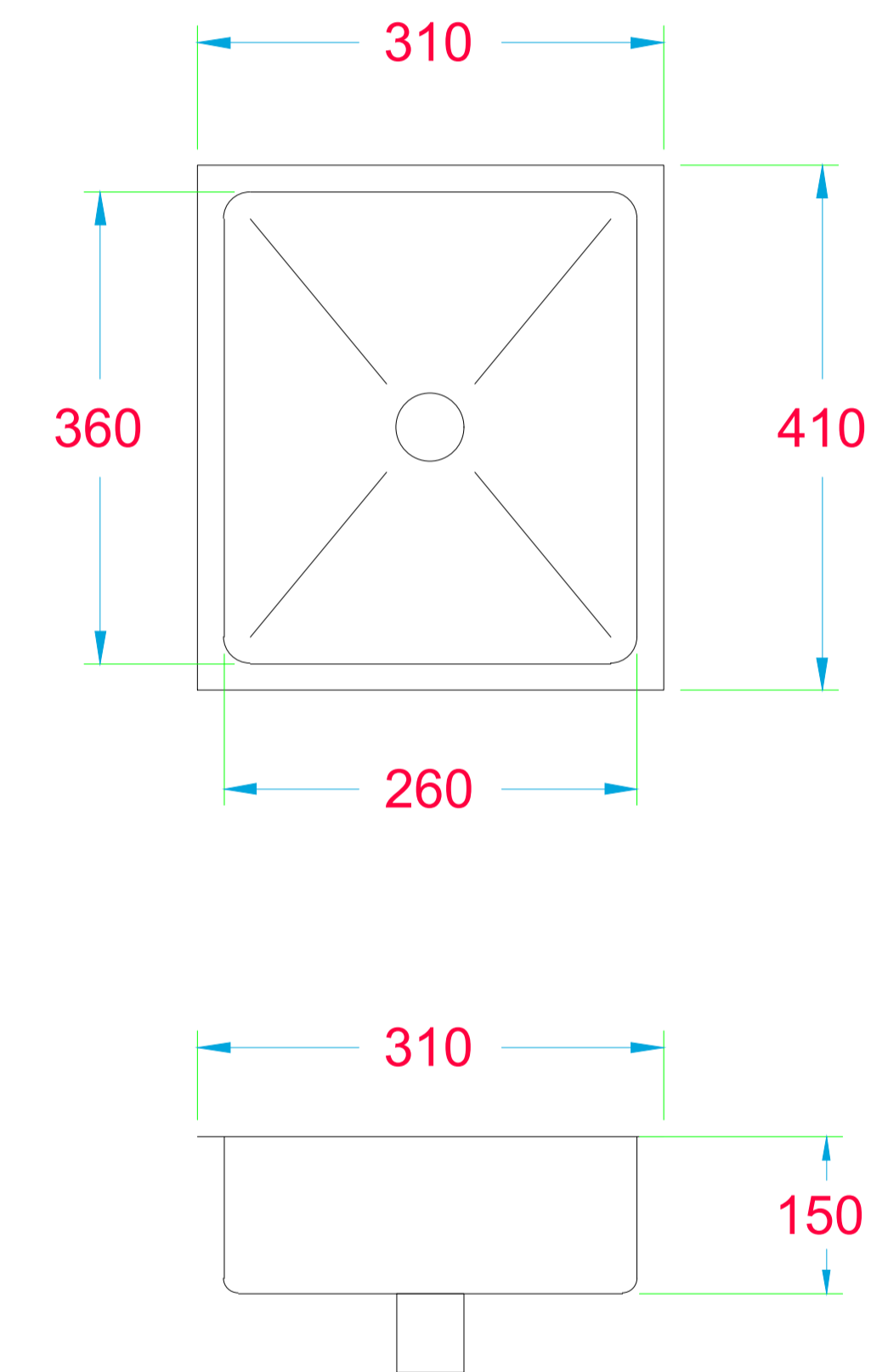
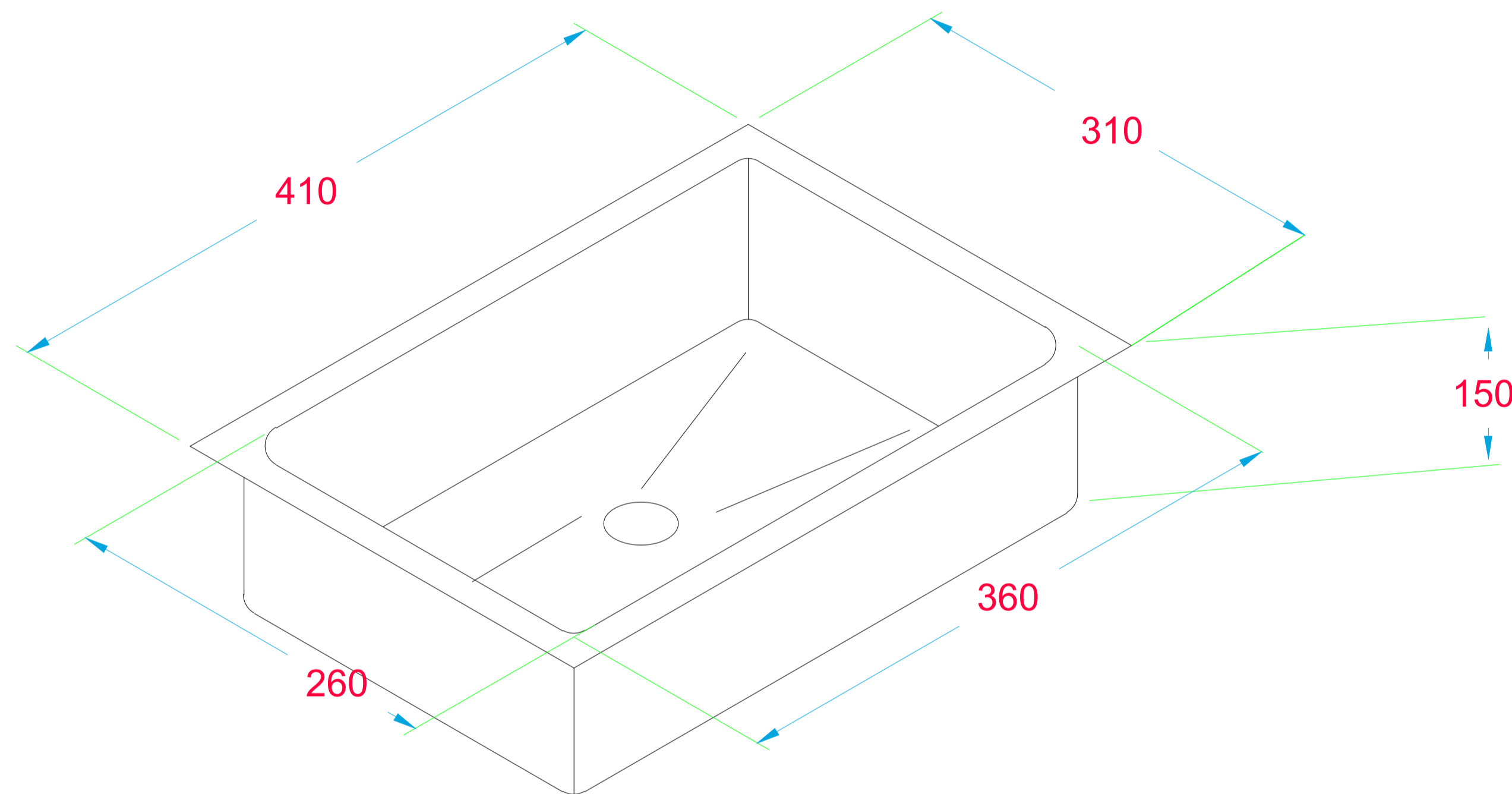
Eq.No :- BS-18

SS CIVIL COUNTER
FITTED SINK

Over All Size:- 310 x 410 x 150mm DEEP

Qty:- 1 No.

DRAWING Dimensons Are In MM



| | | | | | |
|----------|-------------|-----------|----------|-------------------|------|
| TITLE : | Beer Stop | REV. NO : | | DESIGN BY | Sign |
| | | DATE : | 04.10,24 | DWN. BY : Darshan | |
| PROJECT: | T2 - MUMBAI | SCALE : | N.T.S. | CHKD BY: | |
| | | | | APRVD BY: | |