

Chai Point, HIAL D005,
Hyderabad



PROJECT

Chai Point
HIAL D005,
Hyderabad

GENERAL NOTES

ALL DIMENSIONS TO BE CHECKED ON SITE BY
CONTRACTORS
DO NOT SCALE THE DRAWINGS
REPORT ANY DISCREPANCIES TO THE AUTHORS
ALL RIGHTS RESERVED BY THE AUTHOR

REVISION

ISSUE	DATE
Schematic Set	15.02.2024



DRAWING TITLE

Cover

DRAWING NUMB.

A 110

SCALE

DATE

26.06.2024

DESIGN STAGE

Good for Construction

REVISION

R0

Chai Point
Design



PROJECT

Chai Point
HIAL D005,
Hyderabad

GENERAL NOTES

ALL DIMENSIONS TO BE CHECKED ON SITE BY
CONTRACTORS
DO NOT SCALE THE DRAWINGS
REPORT ANY DISCREPANCIES TO THE AUTHORS
ALL RIGHTS RESERVED BY THE AUTHOR

REVISION

ISSUE	DATE
Schematic Set	15.02.2024

DRAWING TITLE

Design Intent

DRAWING NUMB.

A 111

SCALE

DATE

26.06.2024

DESIGN STAGE

Good for Construction

REVISION

R0

Chai Point
Design



PROJECT

Chai Point
HIAL D005

GENERAL NOTES

ALL DIMENSIONS TO BE CHECKED ON SITE BY CONTRACTORS
DO NOT SCALE THE DRAWINGS
REPORT ANY DISCREPANCIES TO THE AUTHORS
ALL RIGHTS RESERVED BY THE AUTHOR

REVISION

ISSUE

DATE

DRAWING TITLE

Material Palette

DRAWING NUMB.

A 112

SCALE

DATE

26.06.2024

DESIGN STAGE

CONCEPT

REVISION

R0

**Chai Point
Design**



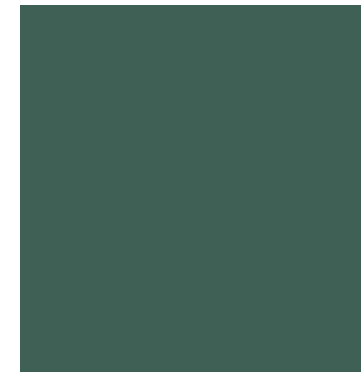
WOOD VINYL
FLOORING



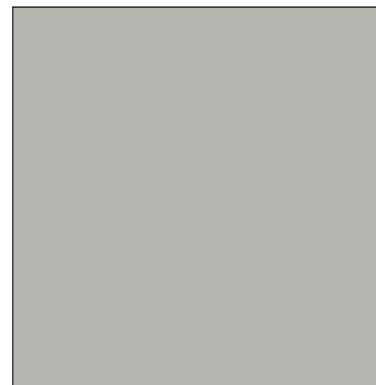
STATUARIO QUARTZ
FOR COUNTER TOP



5375 SUD SATURNO
WALNUT - GREENLAM



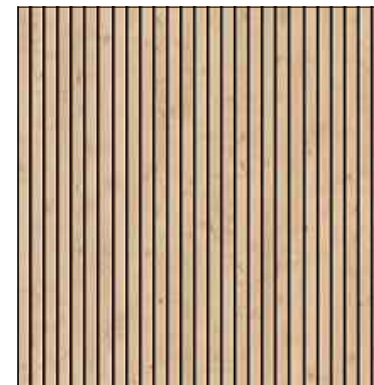
7557 DEEP JUNGLE
ASIAN PAINTS



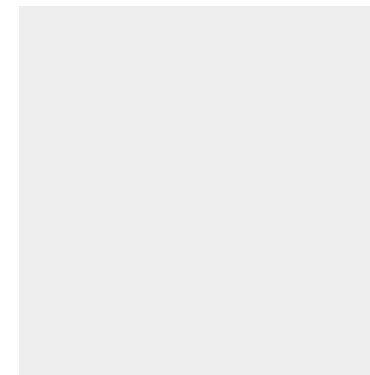
ASIAN PAINTS
PLATINUM DISC 8297



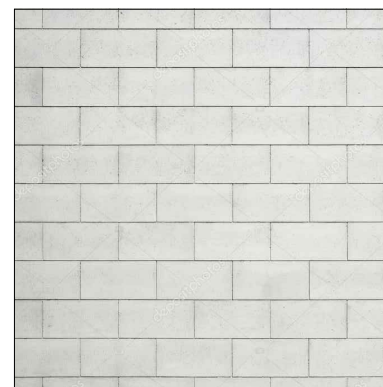
TEXTURE PAINT -
ASIAN PAINTS
ALMOST IVORY L156



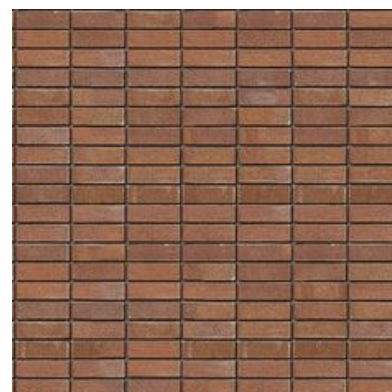
RUBBER WOOD
FINISHED IN
MELAMINE POLISH



GREENLAM
WHITE 101



JOHNSON
300x200 WHITE TILE



TERRACOTTA
BRICK TILE
CLADDING



GREENLAM
DARK GREY 261



CHAI POINT

PROJECT

Chai Point
HIAL D005,
Hyderabad

GENERAL NOTES

ALL DIMENSIONS TO BE CHECKED ON SITE BY
CONTRACTORS
DO NOT SCALE THE DRAWINGS
REPORT ANY DISCREPANCIES TO THE AUTHORS
ALL RIGHTS RESERVED BY THE AUTHOR

REVISION

ISSUE
Schematic Set

DATE
15.02.2024

DRAWING TITLE

Furniture Layout

DRAWING NUMB.

A 113

SCALE

DATE

26.06.2024

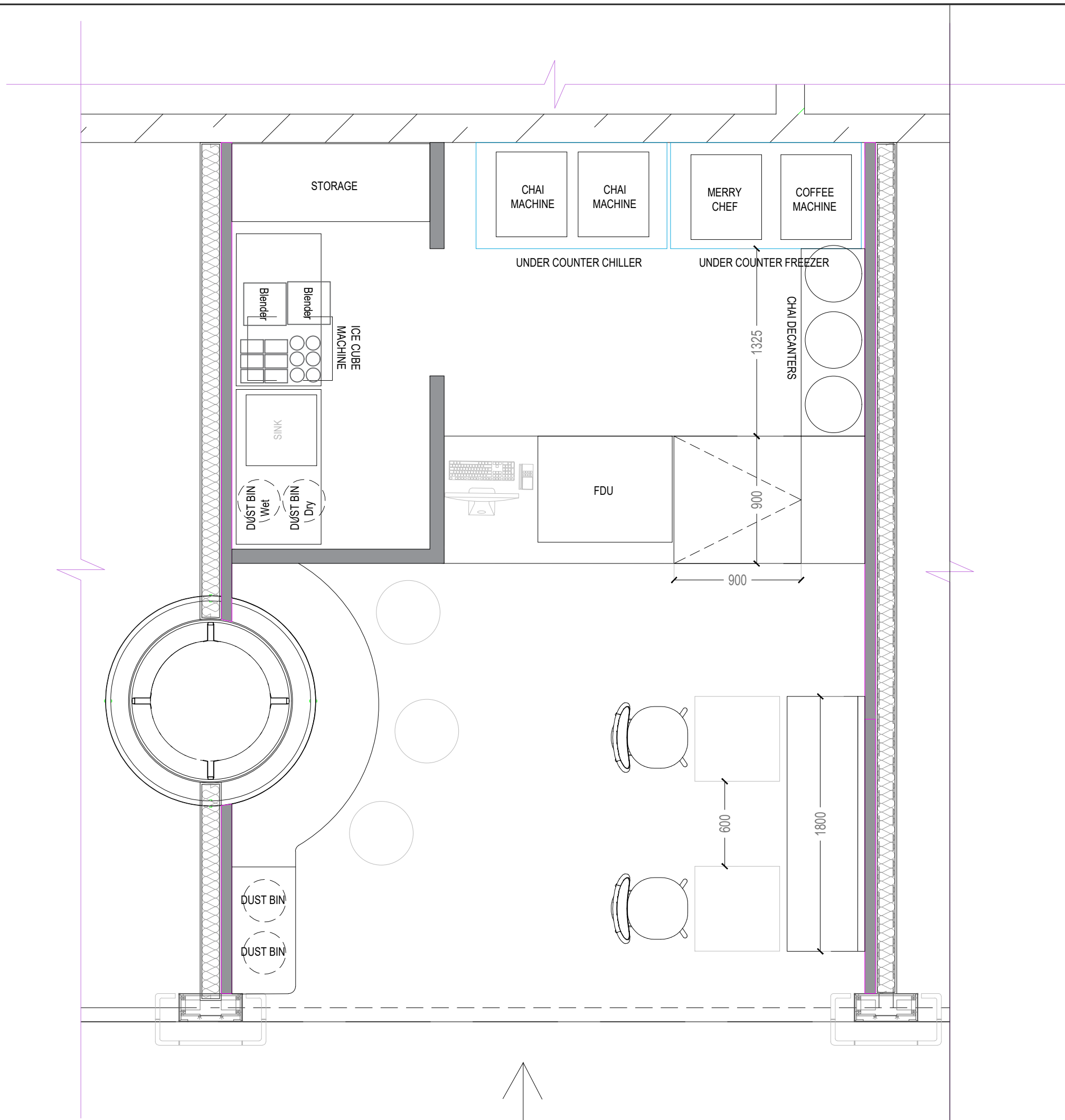
DESIGN STAGE

Good for Construction

REVISION

R0

Chai Point
Design





CHAI POINT

PROJECT

Chai Point
HIAL D005,
Hyderabad

GENERAL NOTES

ALL DIMENSIONS TO BE CHECKED ON SITE BY CONTRACTORS
DO NOT SCALE THE DRAWINGS
REPORT ANY DISCREPANCIES TO THE AUTHORS
ALL RIGHTS RESERVED BY THE AUTHOR

REVISION

ISSUE	DATE
Schematic Set	26.06.2024

DRAWING TITLE

Kitchen Layout

DRAWING NUMB.

A 114

SCALE

DATE

26.06.2024

DESIGN STAGE

Good for Construction

REVISION

R0

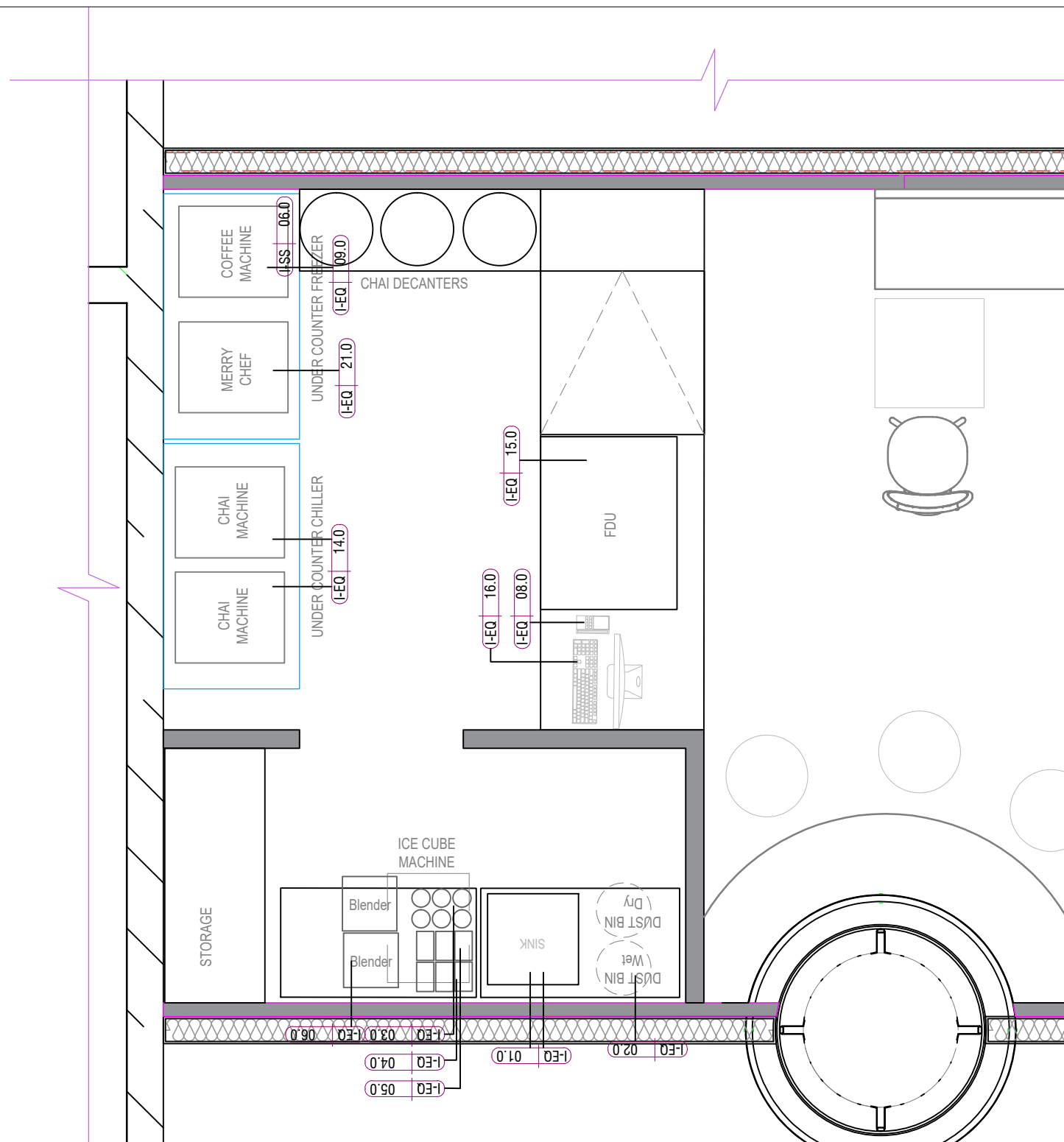
Chai Point
Design

SS TABLES

DESCRIPTION	CODE
SINK & DRYING STATION WITH SS SHUTTERS - SPACE FOR DUSTBIN AND GREASE TRAP BELOW. WITH HOLES CUT OF FOR MIXERS 1200X750X850MM (1NOS) SINK - 450X450MM	I-SS 01.0
ENCHANTE STATION - SS TABLE WITH SPACE FOR ICE CUBE MACHINE AND DUST BIN BELOW 1200X750X900MM (1NOS)	I-SS 02.0
UNDER COUNTER FREEZER 1350X750X850MM (1NOS)	I-SS 03.0
UNDER COUNTER CHILLERS 1200X750X850MM (2NOS)	I-SS 04.0
COFFEE STATION - SS TABLE WITH STORAGE SHELVES BELOW 1200X750X850MM (1NOS)	I-SS 05.0
SS SHELF FOR DAILY FRESSH STATION 1200X450 (2NOS)	I-SS 06.0
SS TABLE FOR WORK TABLE 1000X600X850MM (1NOS)	I-SS 07.0
SS SHELF 1200X450MM (4NOS)	I-SS 08.0

EQUIPMENTS

DESCRIPTION	CODE
HOT & COLD MIXERS ON SS TABLE (2NOS)	I-EQ 01.0
IKEA SHELF WITH HOLDERS (1NOS)	I-EQ 02.0
ICE CUBE MACHINE 30KG (1NOS)	I-EQ 03.0
MAGNETIC STAND FOR KIFE / SPOON (1NOS) IKEA	I-EQ 04.0
GN PANS 160X95MM (12 NOS)	I-EQ 05.0
JTC BLENDERS (2NOS)	I-EQ 06.0
PARATHA GRIDDLES 1VEG & 1NON-VEG	I-EQ 07.0
POS MACHINE (2NOS)	I-EQ 08.0
COFFEE MACHINE SINGLE(1NOS)	I-EQ 09.0
FILTER COFFEE 5L 1NOS)	I-EQ 10.0
SANDWICH GRILLER (2NOS)	I-EQ 11.0
MICROWAVE (2NOS)	I-EQ 12.0
PRADEEPS 12L (3NOS)	I-EQ 13.0
CHAI MACHINE (2NOS)	I-EQ 14.0
FDU 4FT (1NOS)	I-EQ 15.0
BILLING MACHINE (1NOS)	I-EQ 16.0
EXHAUST HOOD HEELICA	I-EQ 17.0
RO UNIT (1NOS)	I-EQ 18.0
GEYSER UNIT (1NOS)	I-EQ 19.0
GREASE TRAP 1NOS)	I-EQ 20.0
INDUCTION (2NOS)	I-EQ 21.0
MERRY CHEF	I-EQ 22.0
CHEST FREEZER	I-EQ 23.0





CHAI POINT

PROJECT

Chai Point
HIAL D005,
Hyderabad

GENERAL NOTES

ALL DIMENSIONS TO BE CHECKED ON SITE BY CONTRACTORS
DO NOT SCALE THE DRAWINGS
REPORT ANY DISCREPANCIES TO THE AUTHORS
ALL RIGHTS RESERVED BY THE AUTHOR

REVISION

ISSUE	DATE
Schematic Set	26.06.2024

DRAWING TITLE

Under Counter Layout

DRAWING NUMB.

A 115

SCALE

DATE

26.06.2024

DESIGN STAGE

Good for Construction

REVISION

R0

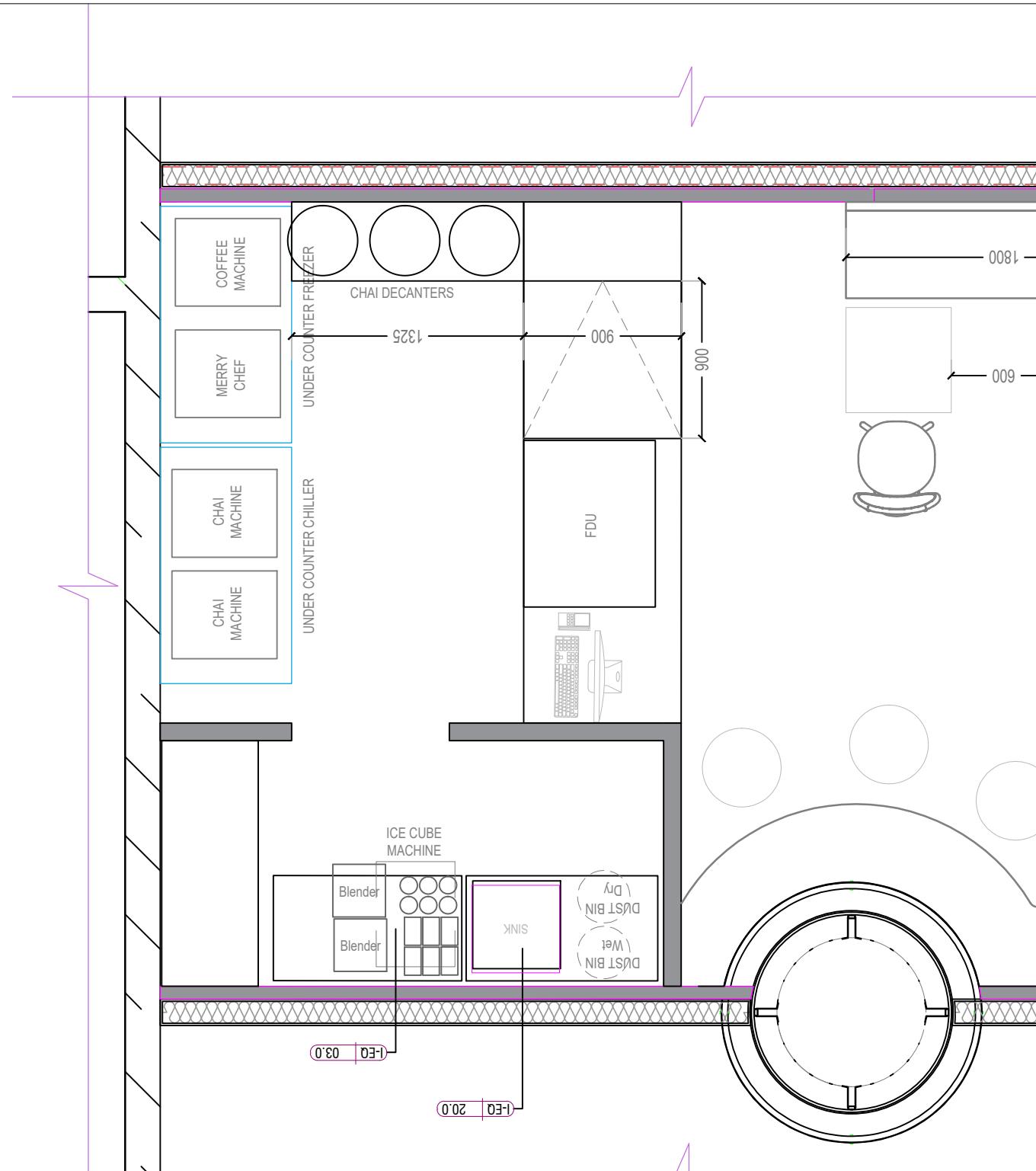
Chai Point
Design

SS TABLES

DESCRIPTION	CODE
SINK & DRYING STATION WITH SS SHUTTERS - SPACE FOR DUSTBIN AND GREASE TRAP BELOW. WITH HOLES CUT OF FOR MIXERS 1200X750X850MM (1NOS) SINK - 450X450MM	I-SS 01.0
ENCHANTE STATION - SS TABLE WITH SPACE FOR ICE CUBE MACHINE AND DUST BIN BELOW 1200X750X900MM (1NOS)	I-SS 02.0
UNDER COUNTER FREEZER 1350X750X850MM (1NOS)	I-SS 03.0
UNDER COUNTER CHILLERS 1200X750X850MM (2NOS)	I-SS 04.0
COFFEE STATION - SS TABLE WITH STORAGE SHELVES BELOW 1200X750X850MM (1NOS)	I-SS 05.0
SS SHELF FOR DAILY FRESH STATION 1200X450 (2NOS)	I-SS 06.0
SS TABLE FOR WORK TABLE 1000X600X850MM (1NOS)	I-SS 07.0
SS SHELF 1200X450MM (4NOS)	I-SS 08.0

EQUIPMENTS

DESCRIPTION	CODE
HOT & COLD MIXERS ON SS TABLE (2NOS)	I-EQ 01.0
IKEA SHELF WITH HOLDERS (1NOS)	I-EQ 02.0
ICE CUBE MACHINE 30KG (1NOS)	I-EQ 03.0
MAGNETIC STAND FOR KIFE / SPOON (1NOS) IKEA	I-EQ 04.0
GN PANS 160X95MM (12 NOS)	I-EQ 05.0
JTC BLENDERS (2NOS)	I-EQ 06.0
PARATHA GRIDDLES 1VEG & 1NON-VEG	I-EQ 07.0
POS MACHINE (2NOS)	I-EQ 08.0
COFFEE MACHINE SINGLE(1NOS)	I-EQ 09.0
FILTER COFFEE 5L 1NOS)	I-EQ 10.0
SANDWICH GRILLER (2NOS)	I-EQ 11.0
MICROWAVE (2NOS)	I-EQ 12.0
PRADEEPS 12L (3NOS)	I-EQ 13.0
CHAI MACHINE (2NOS)	I-EQ 14.0
FDU 4FT (1NOS)	I-EQ 15.0
BILLING MACHINE (1NOS)	I-EQ 16.0
EXHAUST HOOD HEELICA	I-EQ 17.0
RO UNIT (1NOS)	I-EQ 18.0
GEYSER UNIT (1NOS)	I-EQ 19.0
GREASE TRAP 1NOS)	I-EQ 20.0
INDUCTION (2NOS)	I-EQ 21.0
MERRY CHEF	I-EQ 22.0
CHEST FREEZER	I-EQ 23.0





PROJECT

Chai Point
HIAL D005,
Hyderabad

GENERAL NOTES

ALL DIMENSIONS TO BE CHECKED ON SITE BY
CONTRACTORS
DO NOT SCALE THE DRAWINGS
REPORT ANY DISCREPANCIES TO THE AUTHORS
ALL RIGHTS RESERVED BY THE AUTHOR

REVISION

ISSUE	DATE
Schematic Set	15.02.2024

DRAWING TITLE

Partition Layout

DRAWING NUMB.

A 116

SCALE

DATE

15.02.2024

DESIGN STAGE

Good for Construction

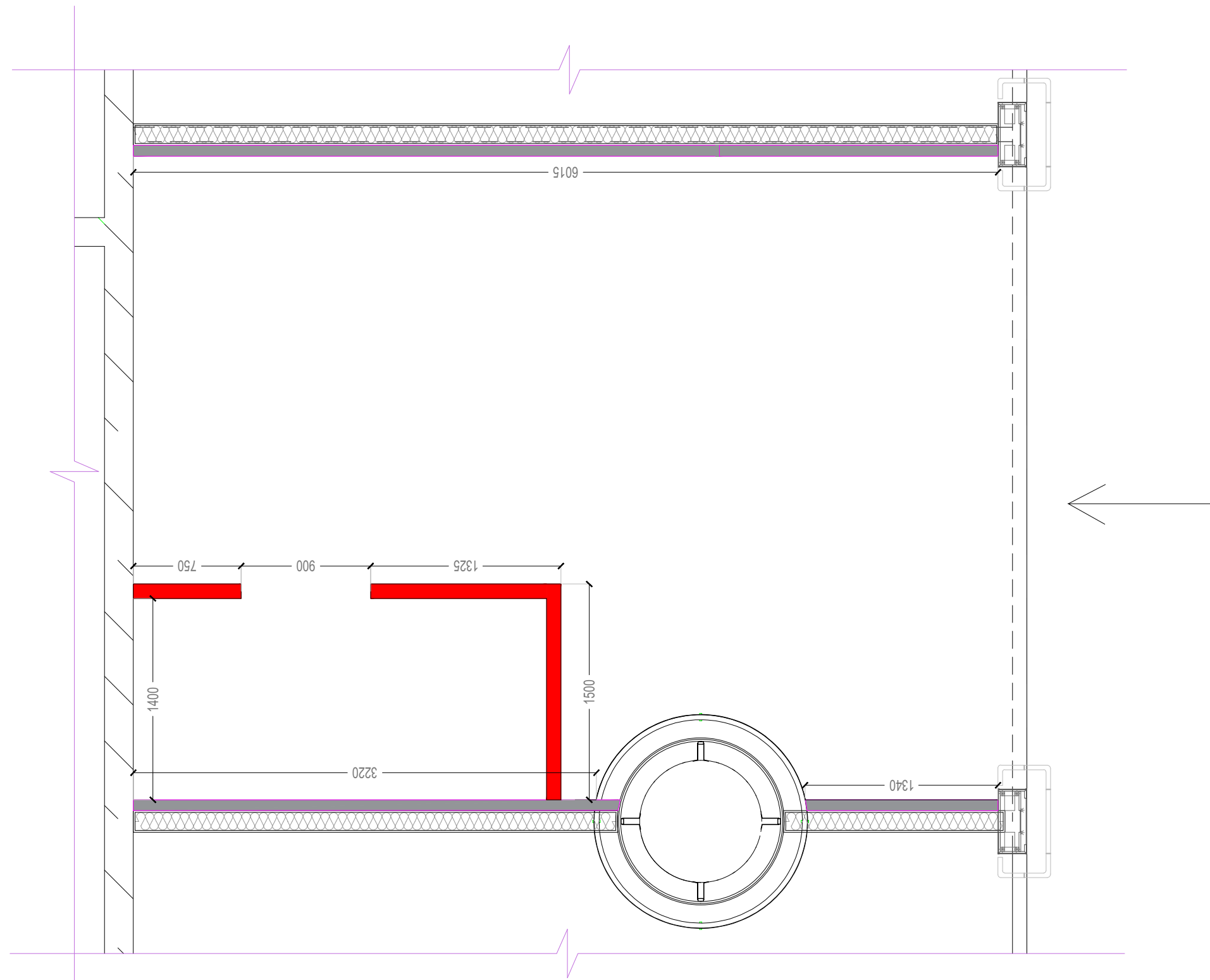
REVISION

R0

Chai Point
Design

 75MM THICK 2400 MM HIGH
DRY WALL PARTITION

 75MM THICK FULL HEIGHT
DRY WALL PARTITION





CHAI POINT

PROJECT

Chai Point
HIAL D005,
Hyderabad

GENERAL NOTES

ALL DIMENSIONS TO BE CHECKED ON SITE BY CONTRACTORS
DO NOT SCALE THE DRAWINGS
REPORT ANY DISCREPANCIES TO THE AUTHORS
ALL RIGHTS RESERVED BY THE AUTHOR

REVISION

ISSUE	DATE
Schematic Set	15.02.2024

DRAWING TITLE

Flooring Layout

DRAWING NUMB.

A 117

SCALE

DATE

15.02.2024

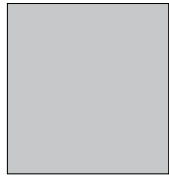
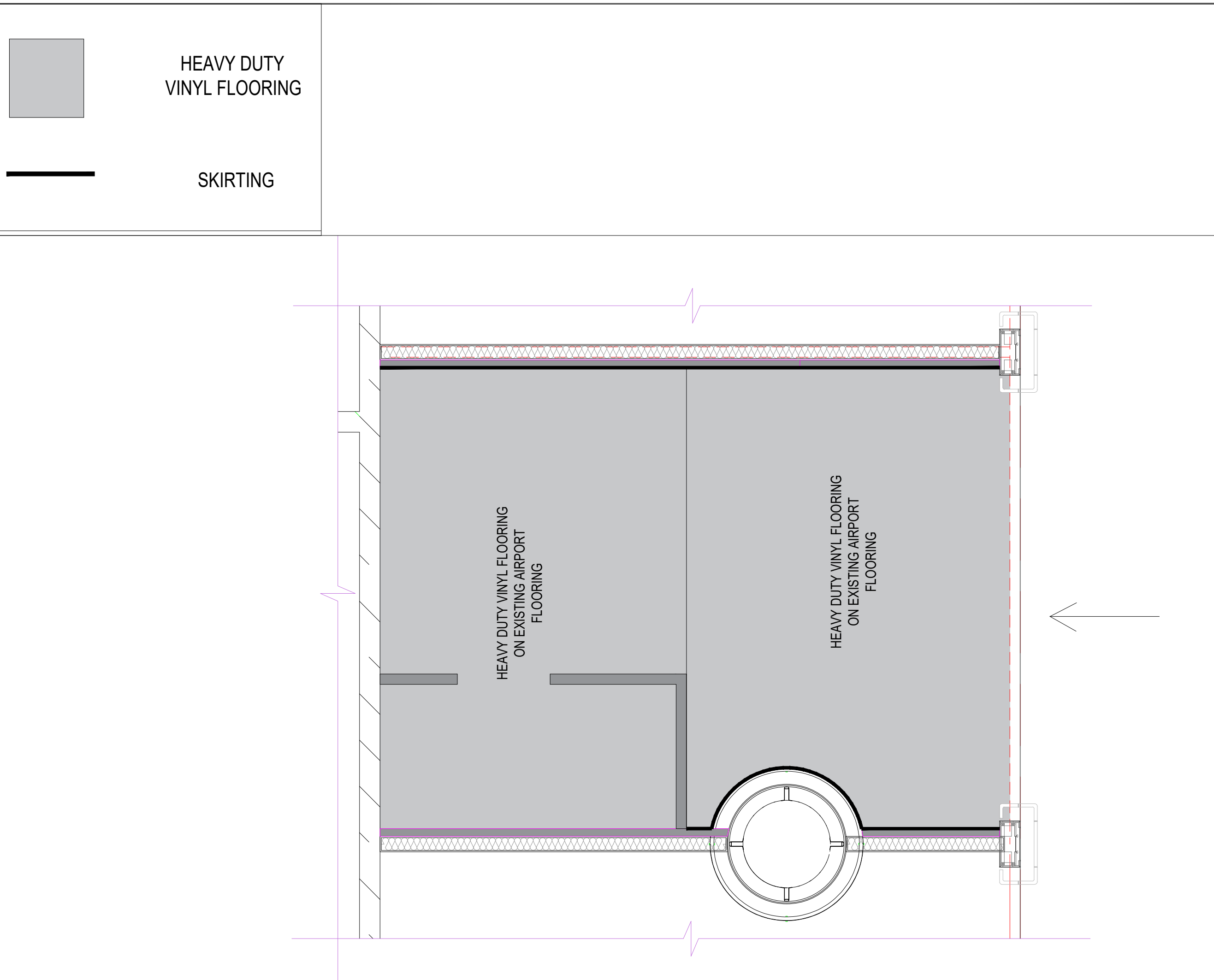
DESIGN STAGE

Good for Construction

REVISION

R0

Chai Point
Design



HEAVY DUTY
VINYL FLOORING



SKIRTING

HEAVY DUTY VINYL FLOORING
ON EXISTING AIRPORT
FLOORING

HEAVY DUTY VINYL FLOORING
ON EXISTING AIRPORT
FLOORING



PROJECT

Chai Point
HIAL D005,
Hyderabad

GENERAL NOTES

ALL DIMENSIONS TO BE CHECKED ON SITE BY CONTRACTORS
DO NOT SCALE THE DRAWINGS
REPORT ANY DISCREPANCIES TO THE AUTHORS
ALL RIGHTS RESERVED BY THE AUTHOR

REVISION

ISSUE	DATE
Schematic Set	26.06.2024

DRAWING TITLE

Lighting Layout

DRAWING NUMB.

A 118

SCALE

DATE

26.06.2024

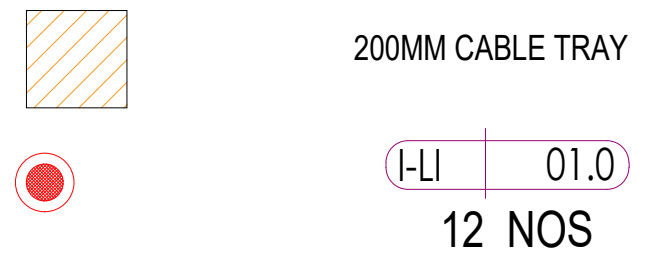
DESIGN STAGE

Good for Construction

REVISION

R0

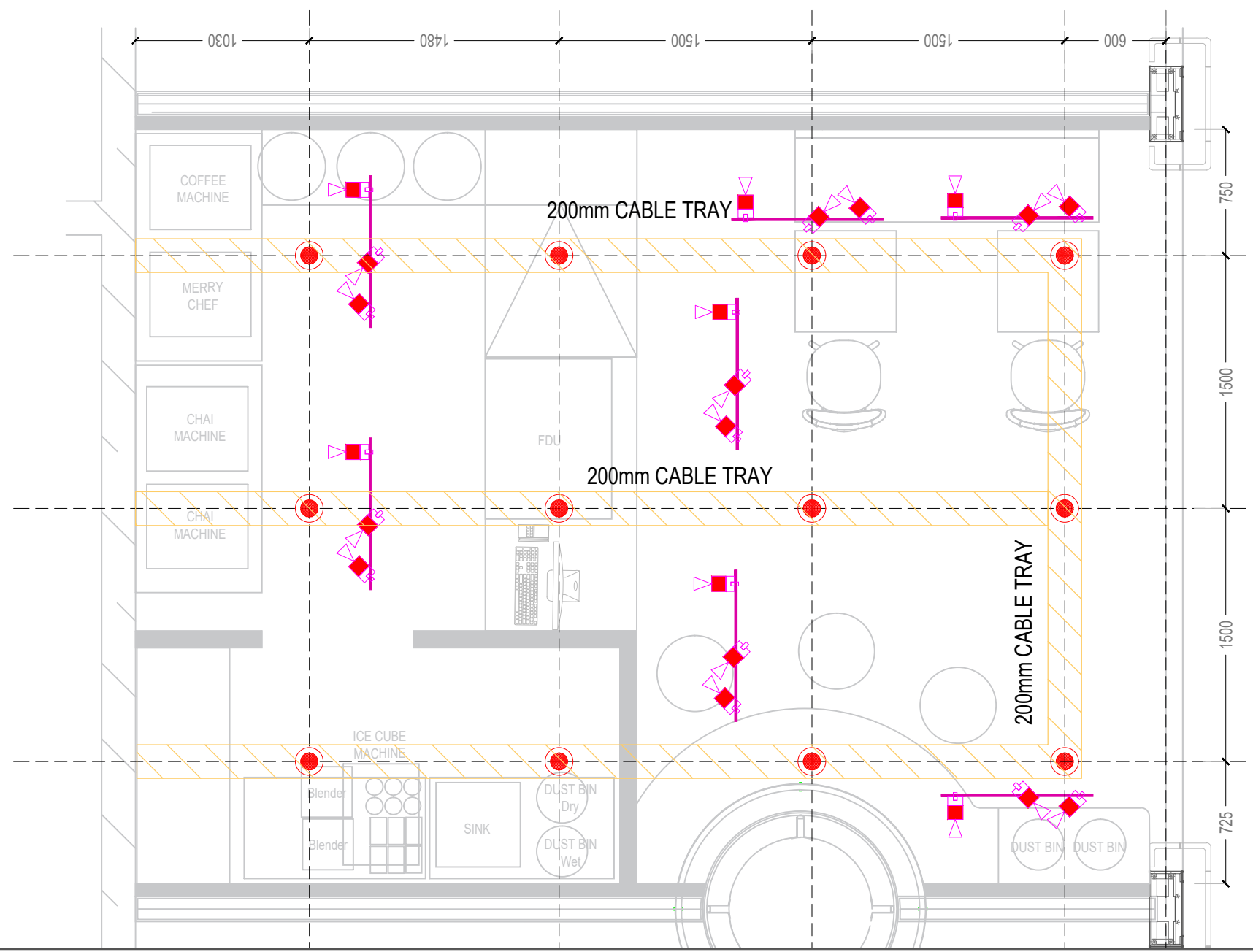
Chai Point
Design

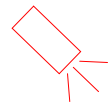


I-LI 01.0
CEILING MOUNTED LIGHTS
12 NOS



I-LI 02.0
TRACK LIGHTS
7 TRACKS 21 LIGHTS





CCTV



CHAI POINT

PROJECT

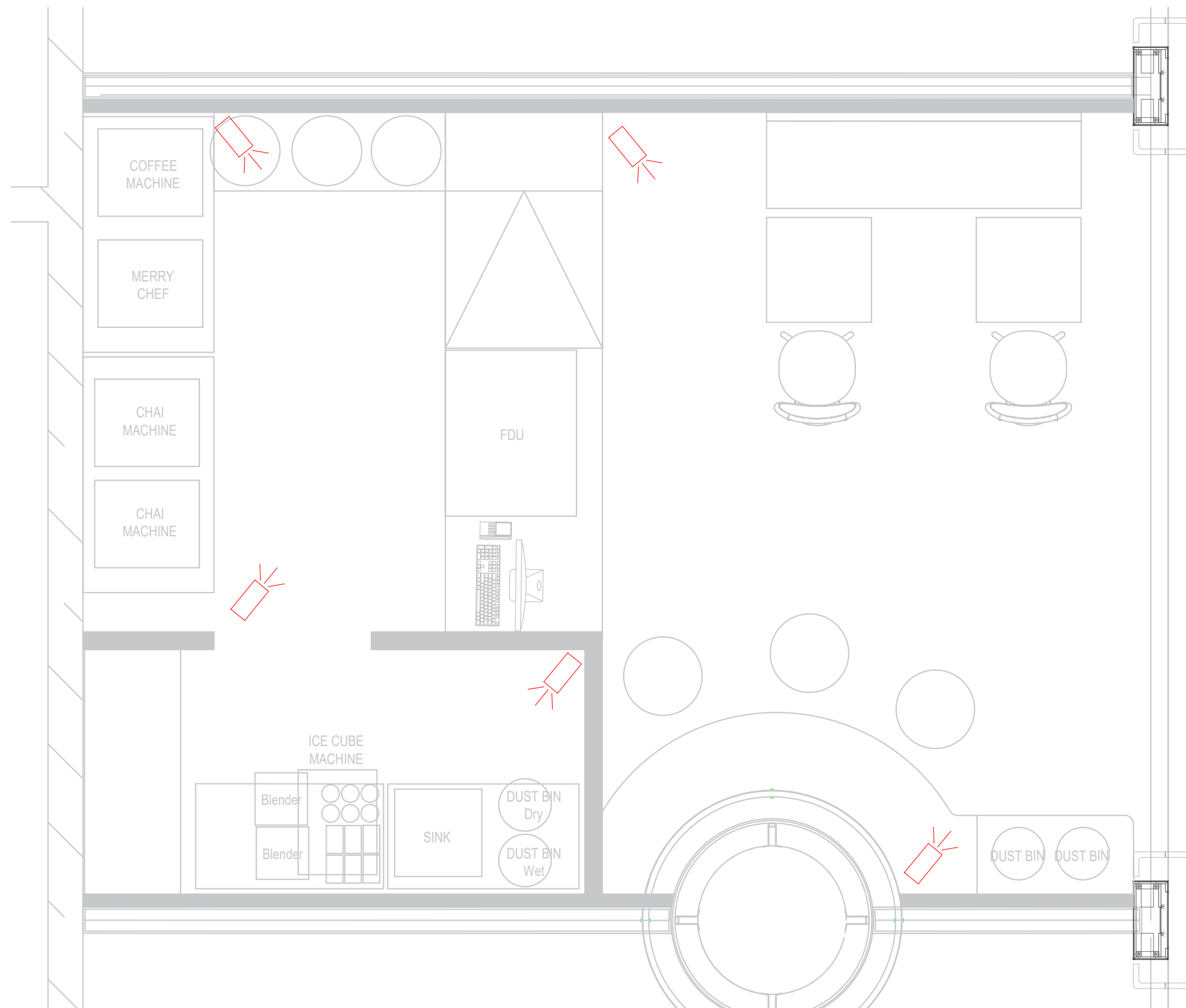
Chai Point
HIAL D005,
Hyderabad

GENERAL NOTES

ALL DIMENSIONS TO BE CHECKED ON SITE BY CONTRACTORS
DO NOT SCALE THE DRAWINGS
REPORT ANY DISCREPANCIES TO THE AUTHORS
ALL RIGHTS RESERVED BY THE AUTHOR

REVISION

ISSUE	DATE
Schematic Set	15.02.2024



DRAWING TITLE

CCTV & Speaker

DRAWING NUMB.

A 119

SCALE

DATE

26.06.2024

DESIGN STAGE








Good for Construction

REVISION

R0

Chai Point
Design

ALL ELECTRIC POINTS TO BE PROVIDED AT 1100MM AFFL UNLESS MENTIONED OTHERWISE

LEGEND:	
SYMBOL	DESCRIPTION
	16A, (3 MODEL- 1 SWITCH, 1 SOCKET) SOCKET (RAW POWER)
	DATA SOCKET OUTLET (RJ-45)
	6A (3 MODEL- 1 SWITCH, 1 SOCKET) SOCKET (UPS POWER)
	20A (3 MODEL- 1 SWITCH, 1 SOCKET) INDUSTRIAL METAL CLAD SOCKET (RAW POWER) WITH 2 POLE MCB
	TELEPHONE POINT
	6A (6 MODEL- 2 SWITCH, 2 SOCKET) SOCKET (UPS POWER)
	6A (3 MODEL- 1 SWITCH, 1 SOCKET) WITH USB PORT (UPS POWER) @2' AFFL



PROJECT

Chai Point
HIAL D005,
Hyderabad

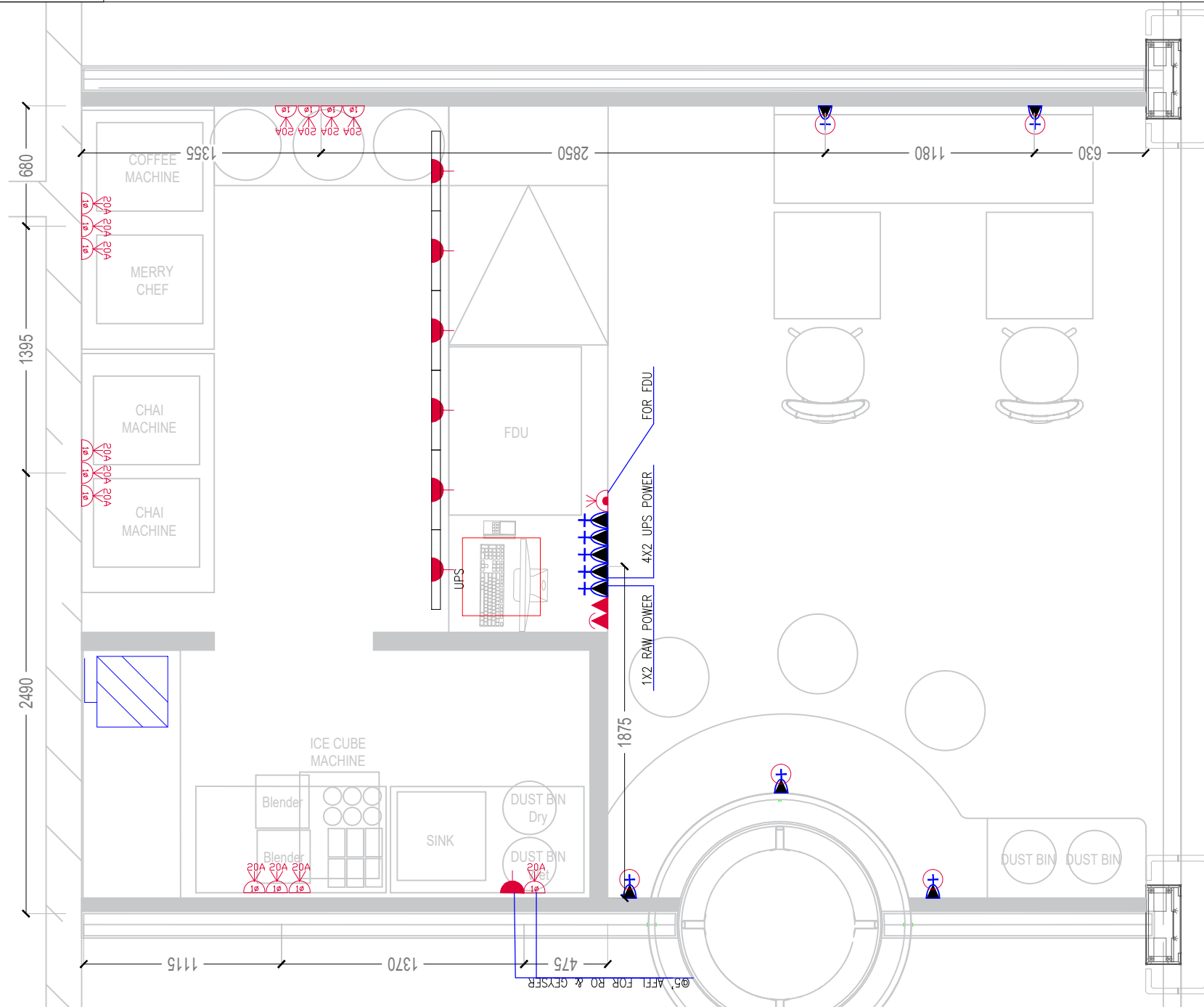
GENERAL NOTES

ALL DIMENSIONS TO BE CHECKED ON SITE BY CONTRACTORS
DO NOT SCALE THE DRAWINGS
REPORT ANY DISCREPANCIES TO THE AUTHORS
ALL RIGHTS RESERVED BY THE AUTHOR

REVISION

ISSUE
Schematic Set

DATE
15.02.2024



DRAWING TITLE

Electrical

DRAWING NUMB.

A 120

SCALE

DATE

26.06.2024

DESIGN STAGE

Good for Construction

REVISION

R0

Chai Point
Design



CHAI POINT

PROJECT

**Chai Point
HIAL D005,
Hyderabad**

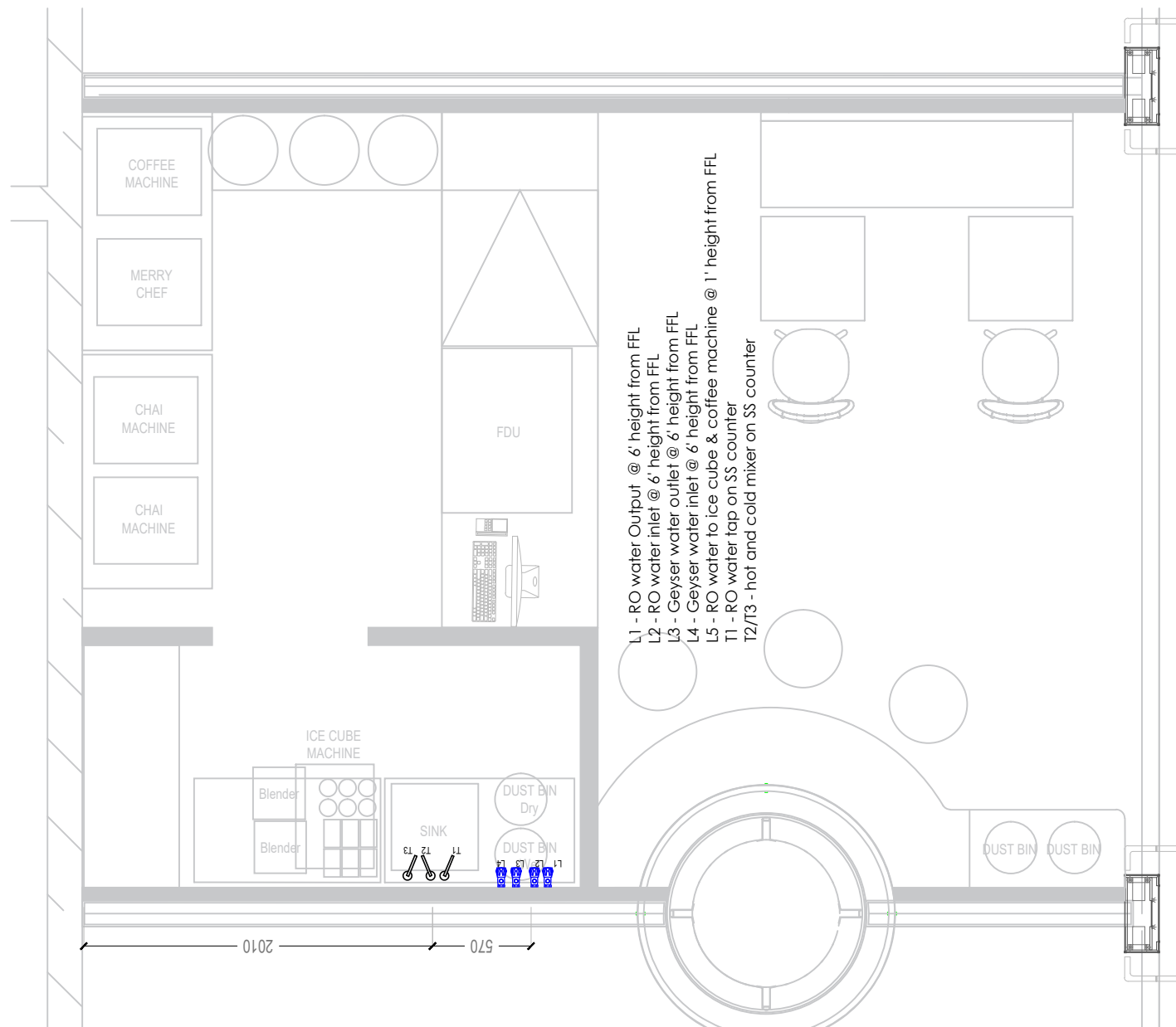
GENERAL NOTES

ALL DIMENSIONS TO BE CHECKED ON SITE BY CONTRACTORS
DO NOT SCALE THE DRAWINGS
REPORT ANY DISCREPANCIES TO THE AUTHORS
ALL RIGHTS RESERVED BY THE AUTHOR

REVISION

ISSUE
Schematic Set

DATE
15.02.2024



DRAWING TITLE

Plumbing

DRAWING NUMB.

A 121

SCALE

DATE

26.06.2024

DESIGN STAGE

Good for Construction

REVISION

R0

**Chai Point
Design**



CHAI POINT

PROJECT

Chai Point
HIAL D005,
Hyderabad

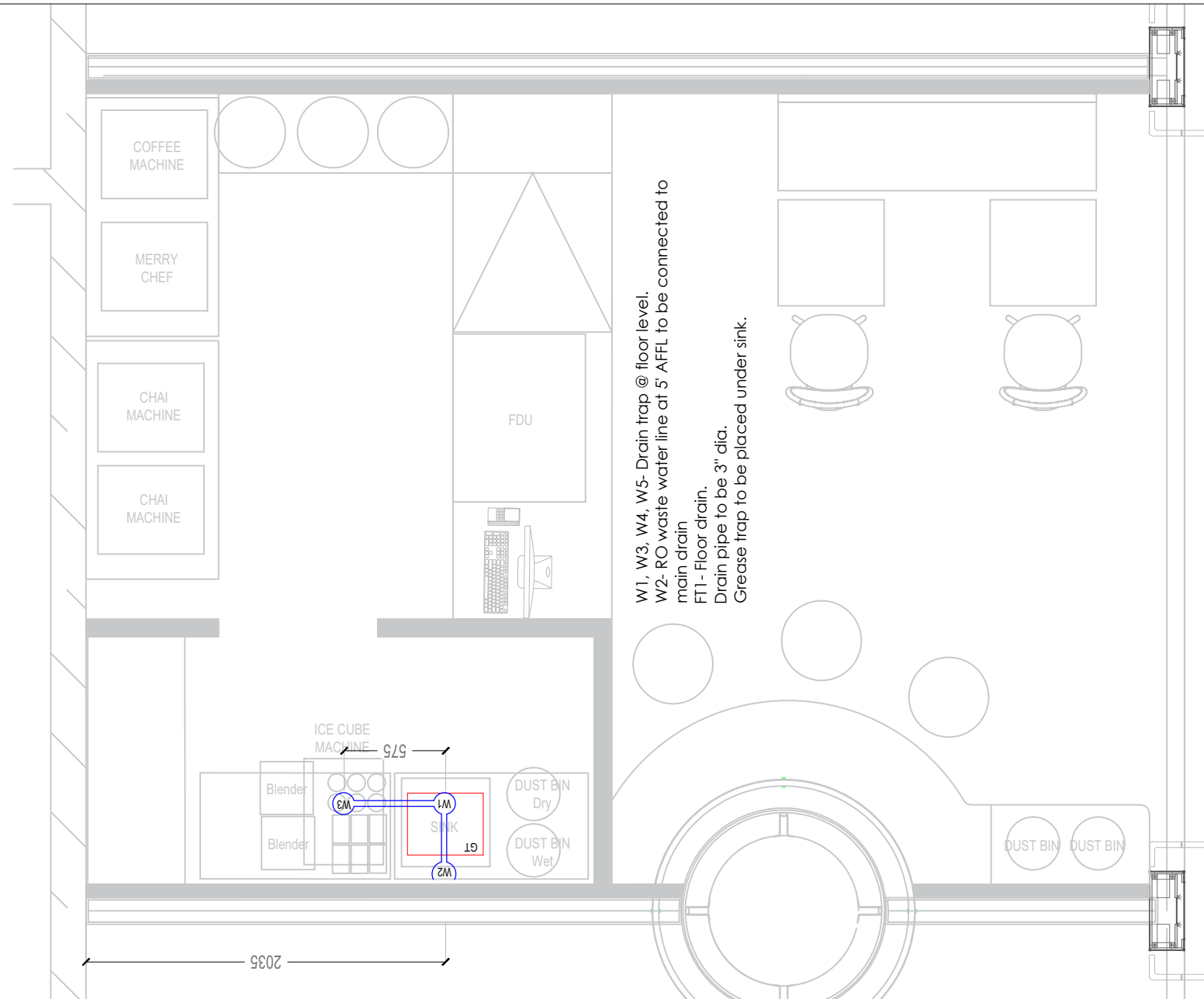
GENERAL NOTES

ALL DIMENSIONS TO BE CHECKED ON SITE BY CONTRACTORS
DO NOT SCALE THE DRAWINGS
REPORT ANY DISCREPANCIES TO THE AUTHORS
ALL RIGHTS RESERVED BY THE AUTHOR

REVISION

ISSUE
Schematic Set

DATE
15.02.2024



DRAWING TITLE

Drain

DRAWING NUMB.

A 122

SCALE

DATE

26.06.2024

DESIGN STAGE

Good for Construction

REVISION

R0

Chai Point
Design



CHAI POINT

PROJECT

Chai Point
HIAL D005,
Hyderabad

GENERAL NOTES

ALL DIMENSIONS TO BE CHECKED ON SITE BY
CONTRACTORS
DO NOT SCALE THE DRAWINGS
REPORT ANY DISCREPANCIES TO THE AUTHORS
ALL RIGHTS RESERVED BY THE AUTHOR

REVISION

ISSUE
Schematic Set

DATE
26.06.2024

DRAWING TITLE

Sections

DRAWING NUMB.

A 123

SCALE

DATE

26.06.2024

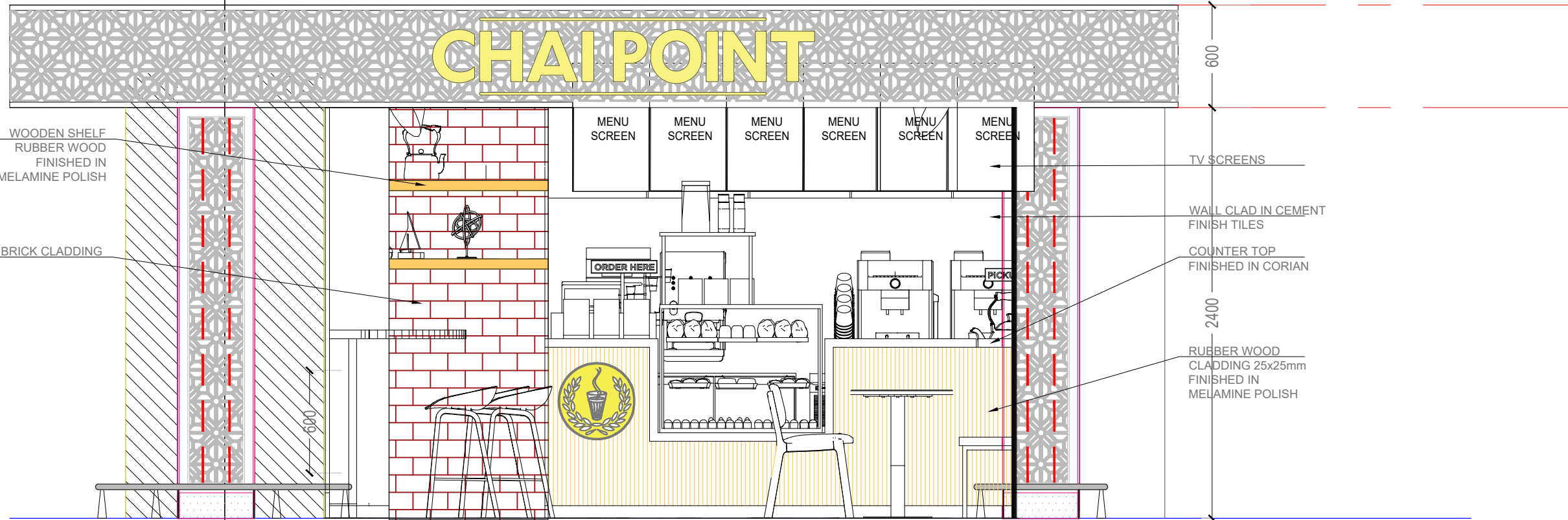
DESIGN STAGE

Good for Construction

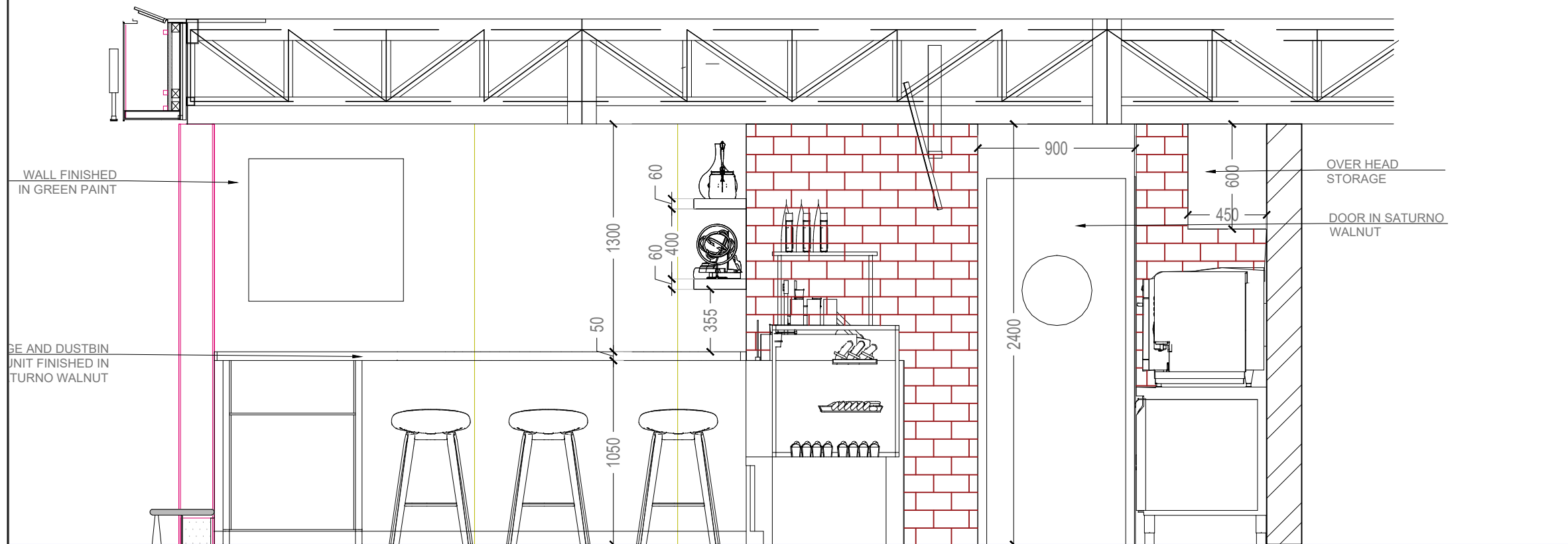
REVISION

R0

Chai Point
Design



ELEVATION



SECTION



CHAI POINT

PROJECT

**Chai Point
HIAL D005,
Hyderabad**

GENERAL NOTES

ALL DIMENSIONS TO BE CHECKED ON SITE BY CONTRACTORS
DO NOT SCALE THE DRAWINGS
REPORT ANY DISCREPANCIES TO THE AUTHORS
ALL RIGHTS RESERVED BY THE AUTHOR

REVISION

ISSUE
Schematic Set

DATE
26.06.2024

DRAWING TITLE

Sections

DRAWING NUMB.

A 123

SCALE

DATE

26.06.2024

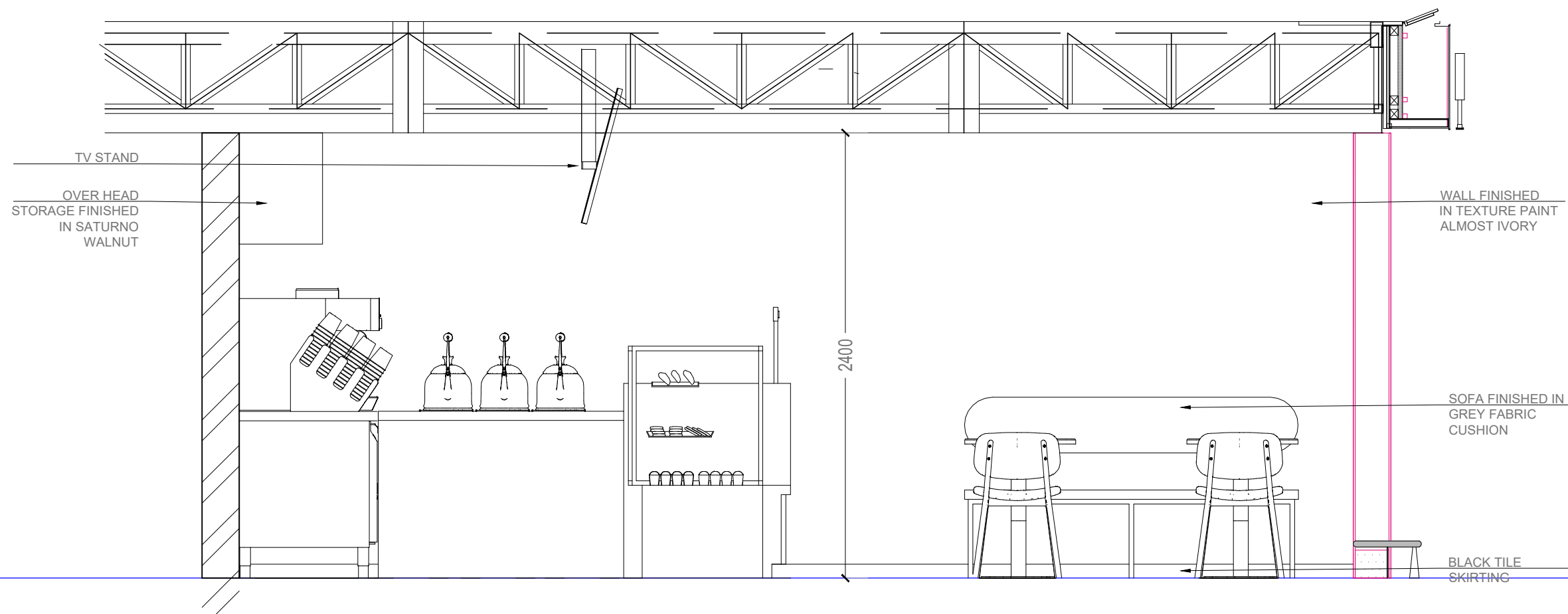
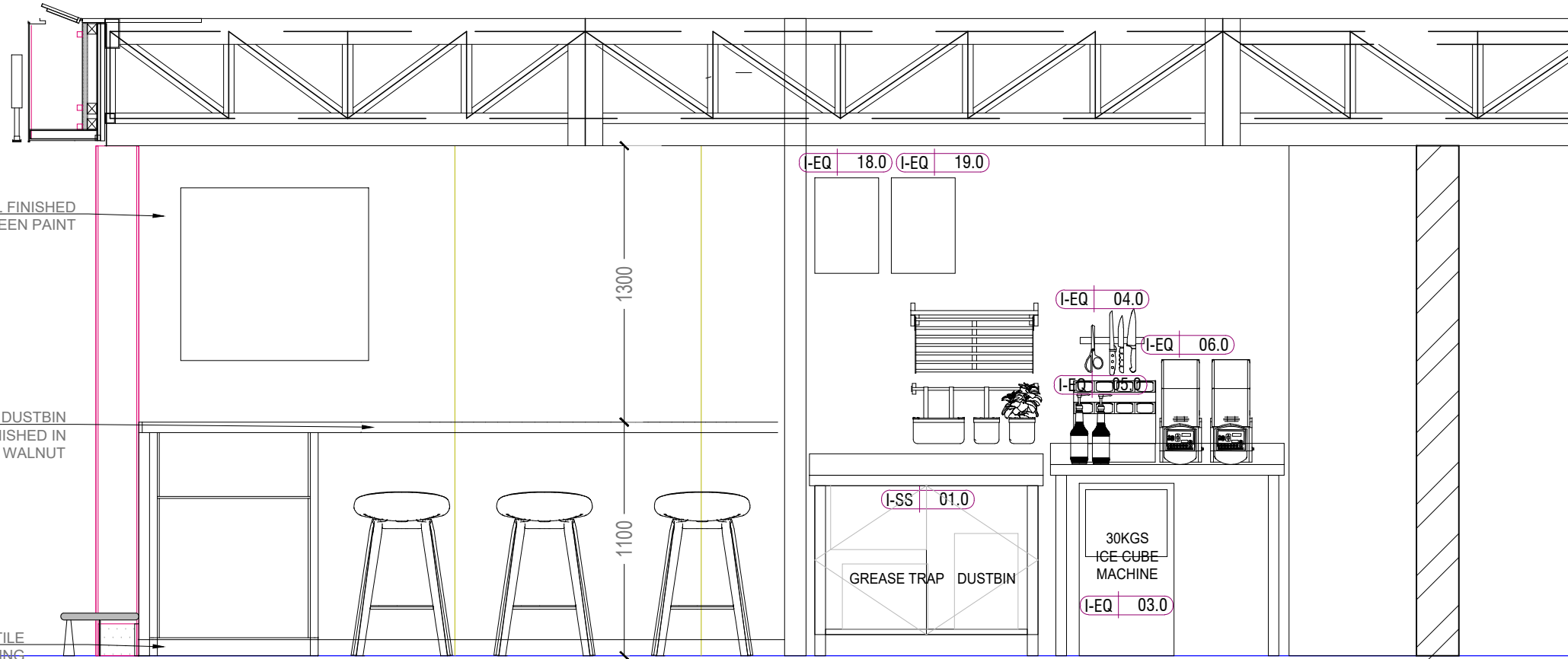
DESIGN STAGE

Good for Construction

REVISION

R0

**Chai Point
Design**





CHAI POINT

PROJECT

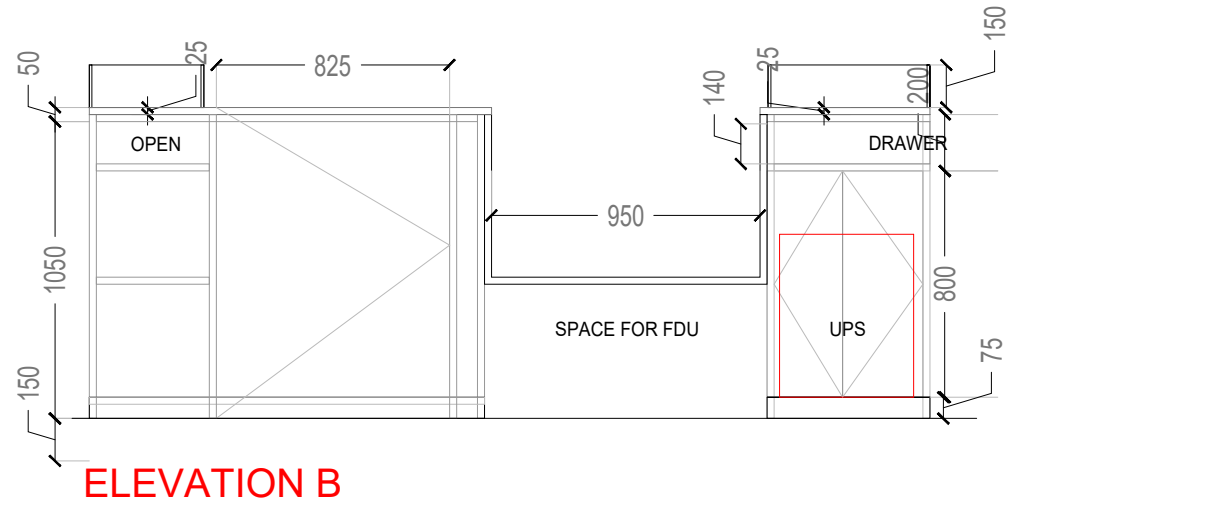
Chai Point
HIAL D005,
Hyderabad

GENERAL NOTES

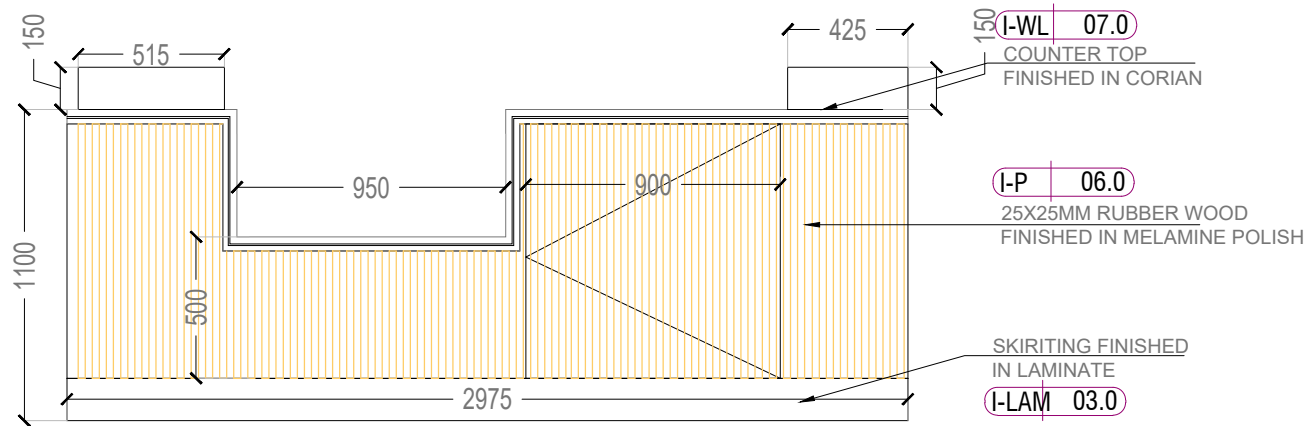
ALL DIMENSIONS TO BE CHECKED ON SITE BY CONTRACTORS
DO NOT SCALE THE DRAWINGS
REPORT ANY DISCREPANCIES TO THE AUTHORS
ALL RIGHTS RESERVED BY THE AUTHOR

REVISION

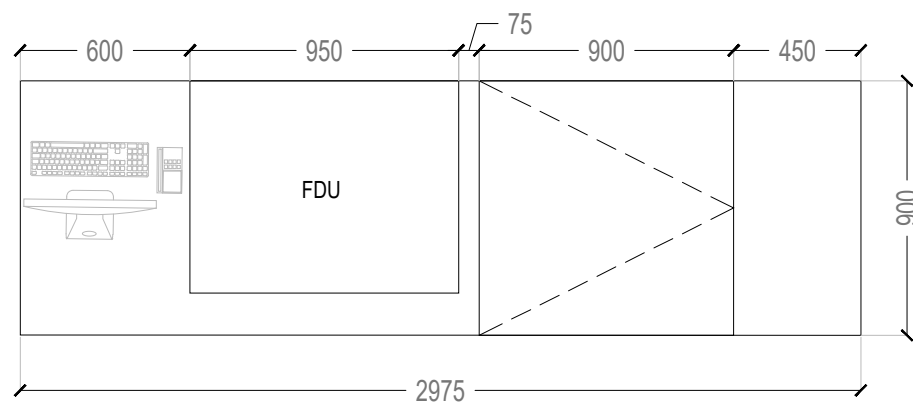
ISSUE	DATE
Schematic Set	15.02.2024



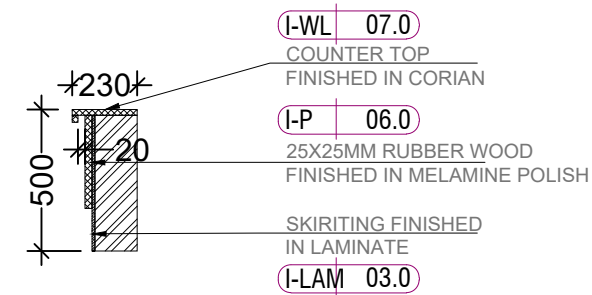
ELEVATION B



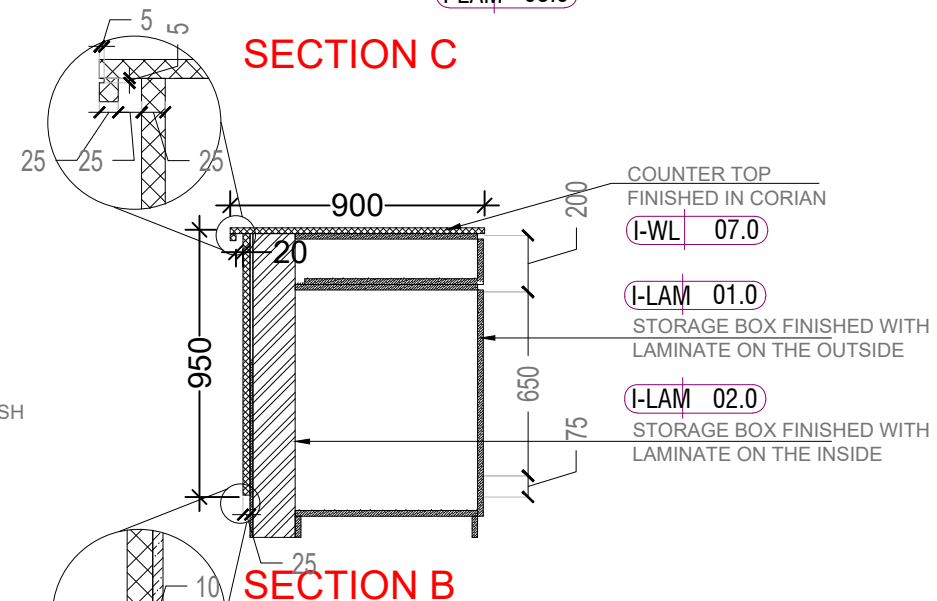
ELEVATION A



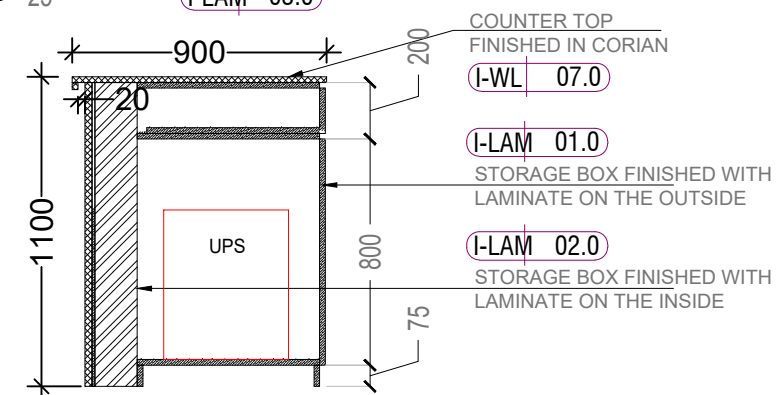
PLAN



SECTION C



SECTION B



SECTION A

DRAWING TITLE

Counter Detail

DRAWING NUMB.

A 128

SCALE

DATE

26.06.2024

DESIGN STAGE

Good for Construction

REVISION

R0

Chai Point
Design



CHAI POINT

PROJECT

Chai Point
HIAL D005,
Hyderabad

GENERAL NOTES

ALL DIMENSIONS TO BE CHECKED ON SITE BY
CONTRACTORS
DO NOT SCALE THE DRAWINGS
REPORT ANY DISCREPANCIES TO THE AUTHORS
ALL RIGHTS RESERVED BY THE AUTHOR

REVISION

ISSUE
Schematic Set

DATE
15.02.2024

DRAWING TITLE

SOFA DETAIL

DRAWING NUMB.

A 129

SCALE

DATE

26.06.2024

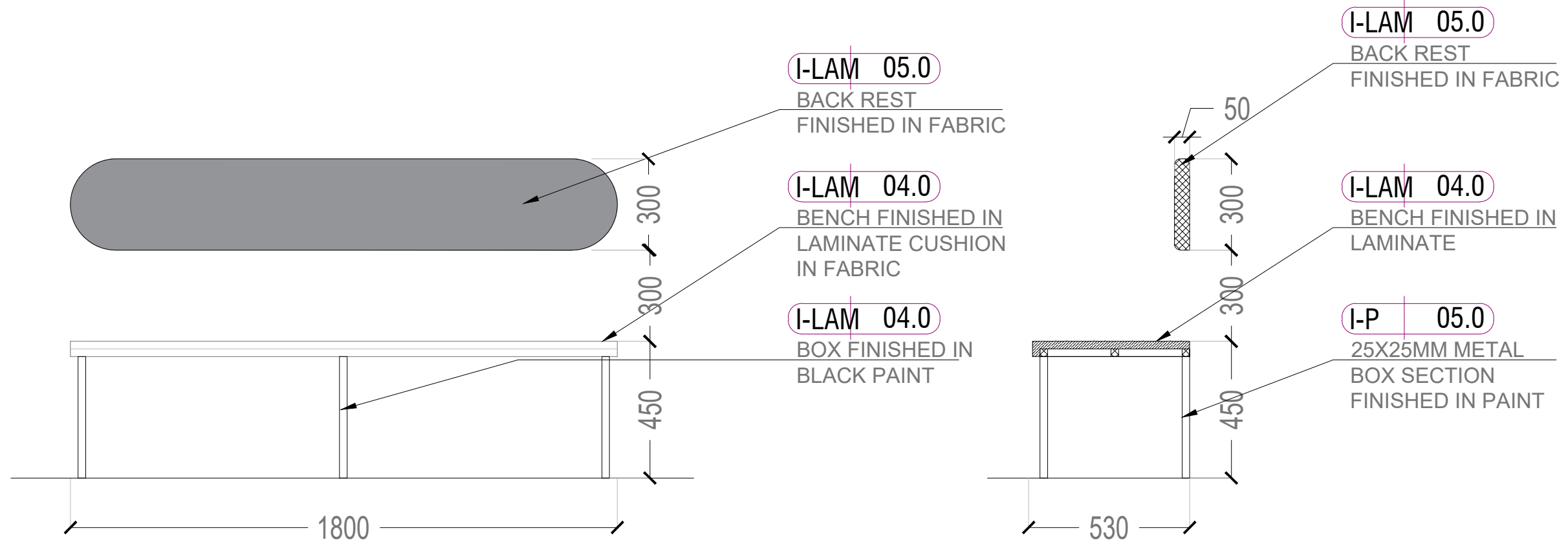
DESIGN STAGE

Good for Construction

REVISION

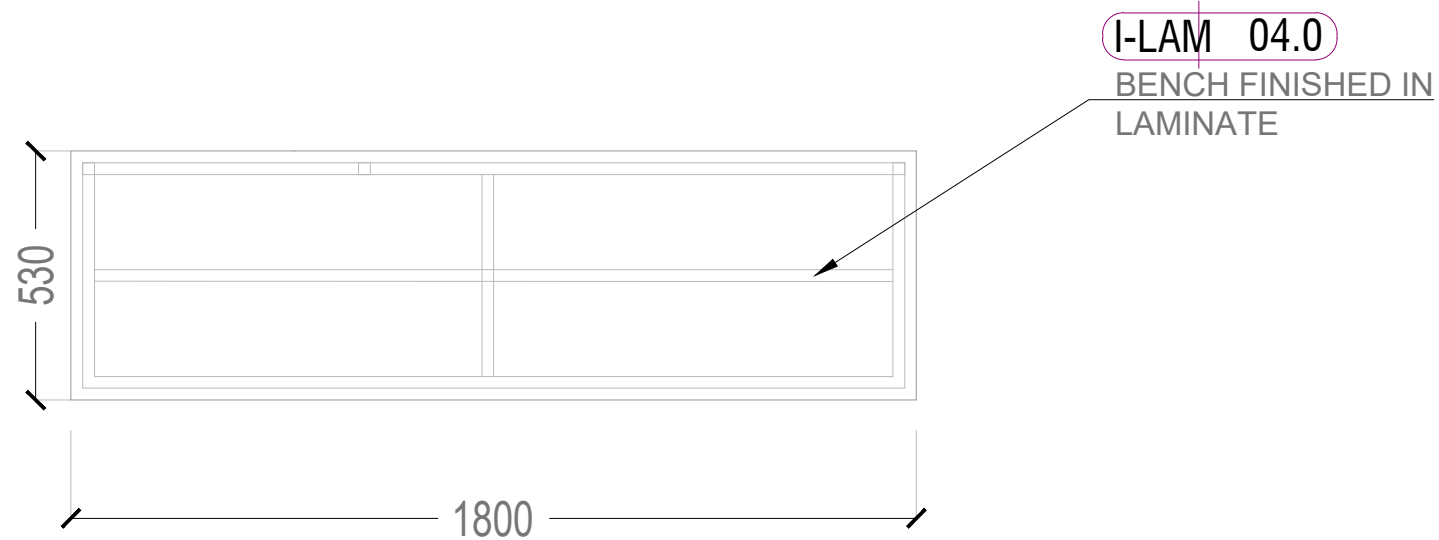
R0

Chai Point
Design



ELEVATION

SECTION



PLAN



LIT CHAI POINT EMBLEM

COPPER EMBLEM



EMBLEM



CHAI POINT

PROJECT

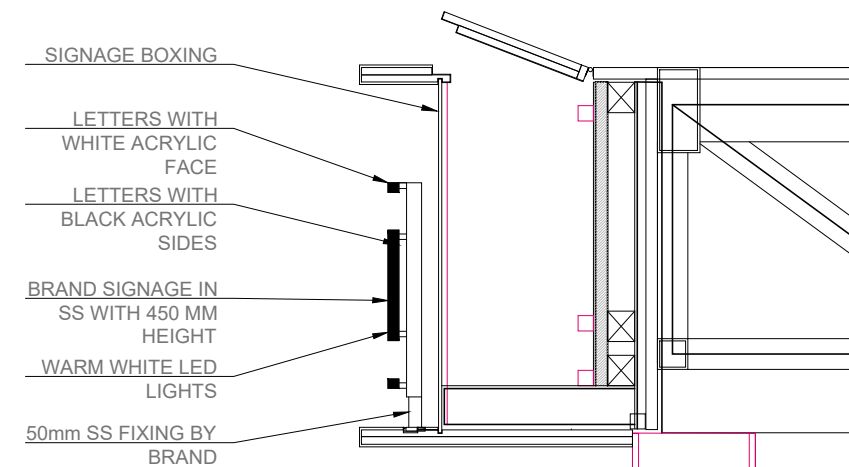
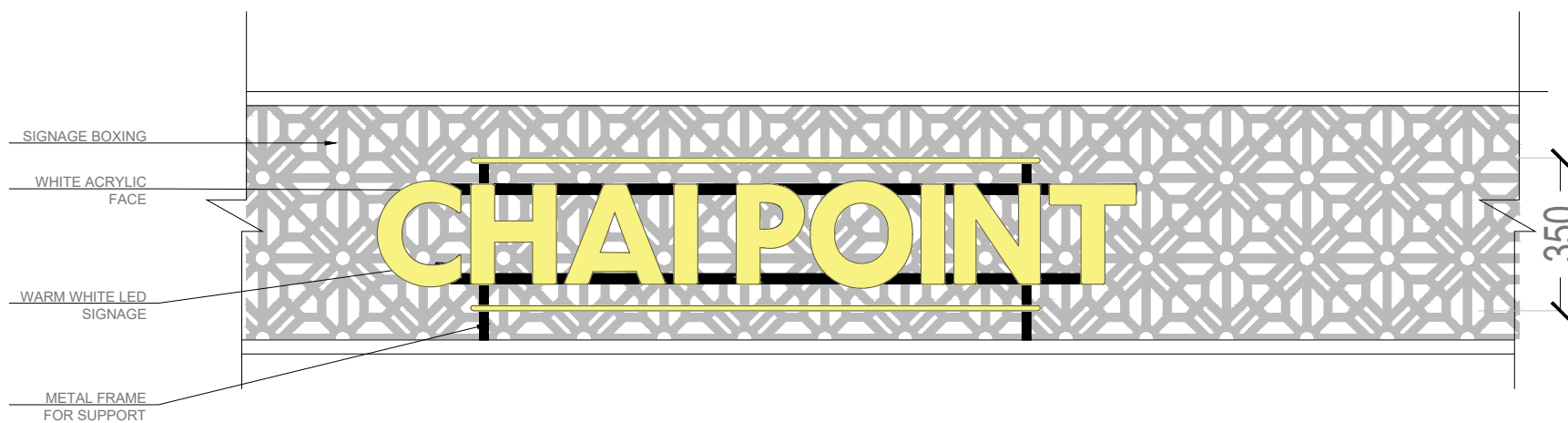
Chai Point
HIAL D005,
Hyderabad

GENERAL NOTES

ALL DIMENSIONS TO BE CHECKED ON SITE BY CONTRACTORS
DO NOT SCALE THE DRAWINGS
REPORT ANY DISCREPANCIES TO THE AUTHORS
ALL RIGHTS RESERVED BY THE AUTHOR

REVISION

ISSUE	DATE
Schematic Set	26.06.2024



DRAWING TITLE

Signage Detail

DRAWING NUMB.

A 126

SCALE

DATE

26.06.2024

DESIGN STAGE

Good for Construction

REVISION

R0

Chai Point
Design



I-LAM 04.0

GREENLAM
SATURNO WALNUT



CHAI POINT

PROJECT

Chai Point
HIAL D005,
Hyderabad

GENERAL NOTES

ALL DIMENSIONS TO BE CHECKED ON SITE BY
CONTRACTORS
DO NOT SCALE THE DRAWINGS
REPORT ANY DISCREPANCIES TO THE AUTHORS
ALL RIGHTS RESERVED BY THE AUTHOR

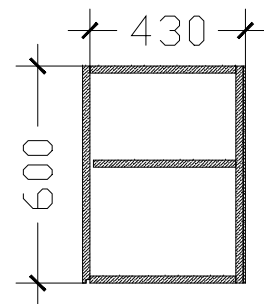
REVISION

ISSUE
Schematic Set

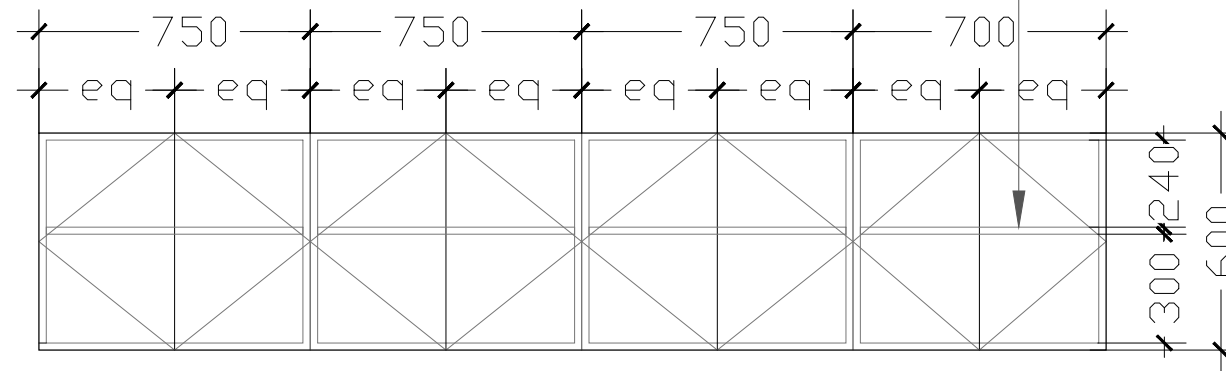
DATE
15.02.2024

STORAGE BOX
SHUTTERS FINISHED IN
LAMINATE

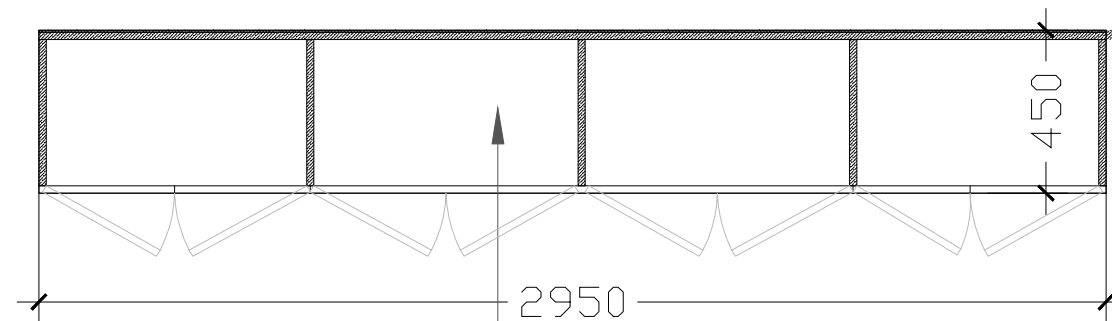
I-LAM 04.0



SECTION



ELEVATION



PLAN

INSIDES FINISHED IN
WHITE LAMINATE

I-LAM 02.0

DRAWING TITLE

Overhead Storage

DRAWING NUMB.

A 126A

SCALE

DATE

26.06.2024

DESIGN STAGE

Good for Construction

REVISION

R0

Chai Point
Design



CHAI POINT

PROJECT

Chai Point
HIAL D005,
Hyderabad

GENERAL NOTES

ALL DIMENSIONS TO BE CHECKED ON SITE BY CONTRACTORS
DO NOT SCALE THE DRAWINGS
REPORT ANY DISCREPANCIES TO THE AUTHORS
ALL RIGHTS RESERVED BY THE AUTHOR

REVISION

ISSUE Schematic Set DATE 26.06.2024

DRAWING TITLE

Ledge Detail

DRAWING NUMB.

A 126 B

SCALE

DATE

26.06.2024

DESIGN STAGE

Good for Construction

REVISION

R0

Chai Point
Design



I-LAM 04.0

**GREENLAM
SATURNO WALNUT**

