



CATALOG OF REPLACEMENT PARTS

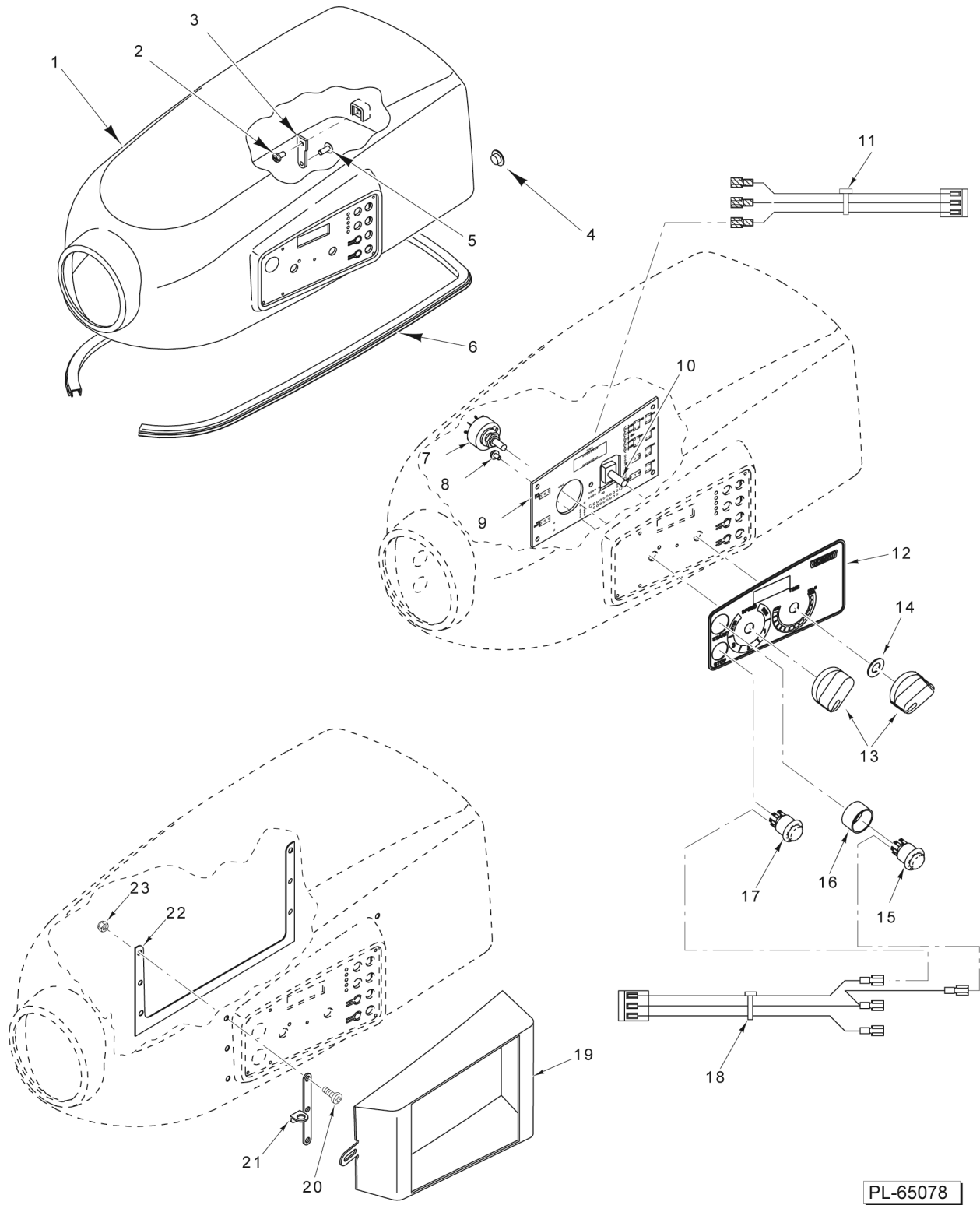


A.) HL120/200 LEGACY MIXER

| | |
|-----------|---------------------------|
| ML-141119 | HL120 |
| ML-141123 | HL120 |
| ML-141124 | HL120 (Canada) |
| ML-141125 | HL200 |
| ML-141127 | HL200 (Floor) |
| ML-141131 | HL200 (Pretzel) |
| ML-141132 | HL200 |
| ML-141133 | HL200 (Floor) |
| ML-141135 | HL200 (Canada - Floor) |
| ML-141136 | HL200 (Canada) |
| ML-141137 | HL200 |
| ML-141138 | HL200 (Pretzel - Blue) |
| ML-141139 | HL200 (Red) |
| ML-141140 | HL200C |
| ML-141147 | HL200 (Canada - Metro) |

Table of Contents

| | |
|----|---|
| 5 | CONTROL PANEL |
| 7 | ELECTRICAL COMPONENTS |
| 9 | ATTACHMENT HUB |
| 11 | BASE AND PEDESTAL |
| 13 | FLOOR BASE AND PEDESTAL (ML-141127, ML-141133, & ML-141135) |
| 15 | BOWL SUPPORT |
| 17 | TRANSMISSION CASE AND MOTOR |
| 19 | TRANSMISSION |
| 21 | PLANETARY |
| 23 | BOWL AND BOWL GUARD |
| 25 | AGITATORS AND ACCESSORIES |
| 27 | MIXER TABLE |
| 29 | LABELS & NAMEPLATES |

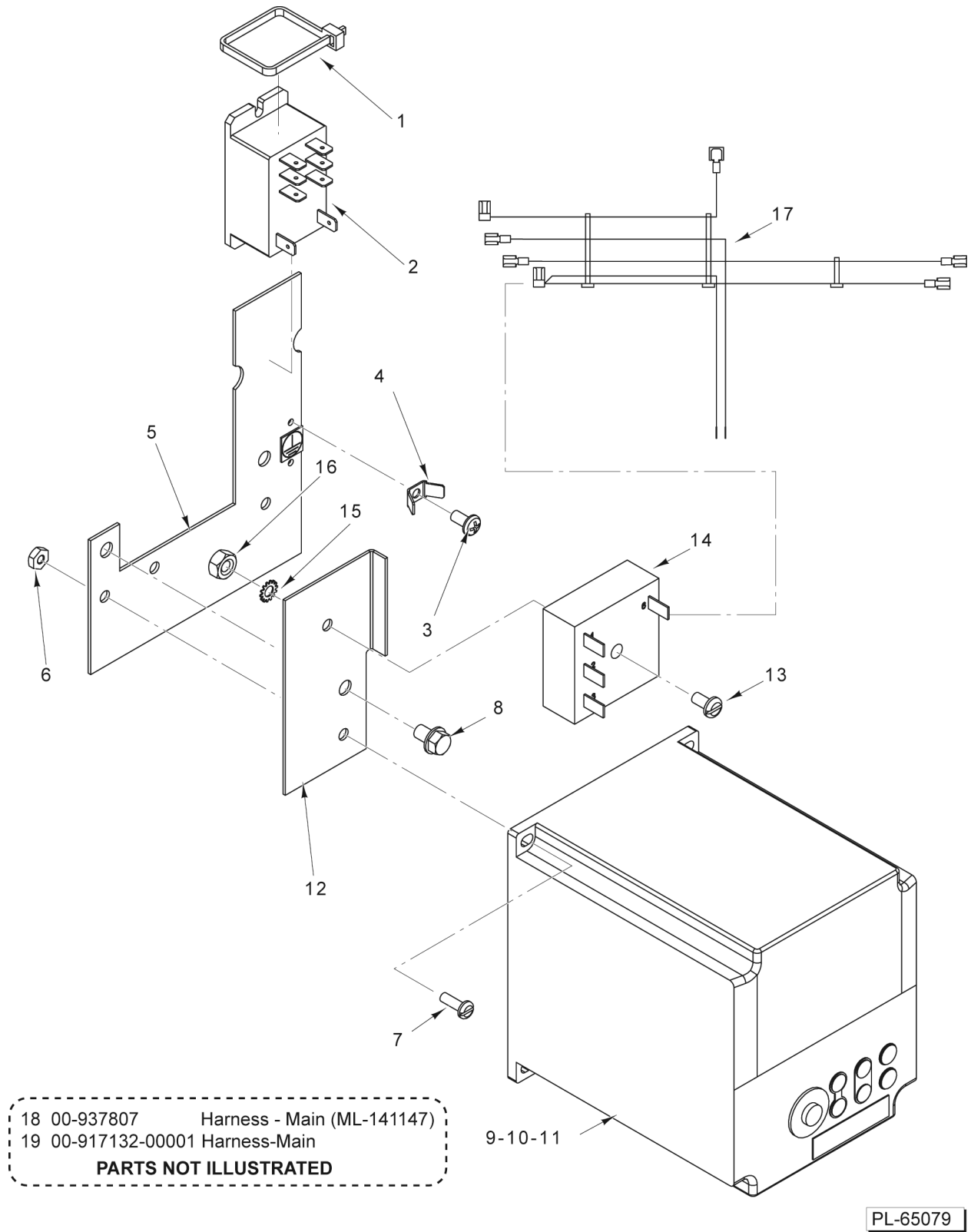


PL-65078

CONTROL PANEL

CONTROL PANEL

| ILLUS. PL-65078 | PART NO. | NAME OF PART | AMT. |
|--------------------|-----------------|--|------|
| 1 | 00-937698-00001 | Top Cover Assy. (Gray) Incls. Top Cover & Items 2-5 and 7-18..... | 1 |
| | 00-937698-00002 | Top Cover Assy. (CE) Incls. Top Cover & Items 2-5 and 7-18..... | 1 |
| | 00-937698-00003 | Top Cover Assy. (Blue) Incls. Top Cover & Items 2-5 and 7-18..... | 1 |
| | 00-937698-00004 | Top Cover Assy. (Red) Incls. Top Cover & Items 2-5 and 7-18..... | 1 |
| | 00-938809 | I, Top Cover Assy. (Legacy+) Incls. Top Cover & Items 2-5 and 7-18 (Starting S/N: 31-1621303)..... | 1 |
| | 00-937698-00006 | Top Cover Assy. (CE) (Legacy+) Incls. Top Cover & Items 2-5 and 7-18 (Starting S/ N: 31-1621303)..... | 1 |
| | 00-938811 | I, Top Cover Assy. (Blue) (Legacy+) Incls. Top Cover & Items 2-5 and 7-18 (Starting S/N: 31-1621303)..... | 1 |
| | 00-938810 | I, Top Cover Assy. (Red) (Legacy+) Incls. Top Cover & Items 2-5 and 7-18 (Starting S/N: 31-1621303)..... | 1 |
| 2 | SD-024-38 | Self-Tapping Screw 10-24 x 3/8 Phil. Pan Hd., Type TT..... | 2 |
| 3 | 00-874829 | Tab - Cover Mounting..... | 1 |
| 4 | 00-874857 | Plug..... | 1 |
| 5 | SC-066-20 | Mach. Screw 10-32 x 1/2 Phil. Truss Hd. (SST)..... | 2 |
| | SC-128-81 | Mach. Screw 10-32 x 1/2 Tx. Button Hd. (Correctional)..... | 2 |
| 6 | 00-937329-00001 | Seal - Neoprene..... | 1 |
| | 00-937329-00002 | Seal - Neoprene..... | 1 |
| 7 | 00-937061 | Switch - Speed Selector Assy. (6-Position)..... | 1 |
| 8 | SD-039-23 | Self-Tapping Screw 6-32 x 1/4 Hex Washer Hd., Type RL..... | 5 |
| 9 | 00-937693 | PCB Assy..... | 1 |
| 10 | 00-937694 | Potentiometer Assy..... | 1 |
| 11 | 00-937695 | Harness - Timer..... | 1 |
| 12 | 00-937071 | Overlay (6-Position Speed Selector Switch)..... | 1 |
| 13 | 00-874809 | Knob (Plastic)..... | 1 |
| | 00-938685 | Knob (Metalic)(Starting S/N: 31-1621303)..... | 1 |
| 14 | WS-031-55 | Washer (Rubber)..... | 1 |
| 15 | 00-916593 | Switch - Sealed Dome (Start)..... | 1 |
| 16 | 00-916958-00002 | Guard - Switch..... | 1 |
| 17 | 00-916592 | Switch - Sealed Dome (Stop)..... | 1 |
| 18 | 00-916566-00001 | Harness - Switch..... | 1 |
| 19 | 00-874921 | Cover - Weldment (Correctional)..... | 1 |
| 20 | SC-128-62 | Mach. Screw 10-24 x 1/2 Tx. Button Hd. (SST) (Correctional)..... | 6 |
| | 00-042648 | Insert - Threaded..... | 6 |
| 21 | 00-874923 | Latch (Correctional)..... | 1 |
| 22 | 00-874931 | Plate - Backer (Correctional)..... | 1 |
| 23 | NS-038-13 | Lock Nut 10-24 Hex (Correctional)..... | 6 |

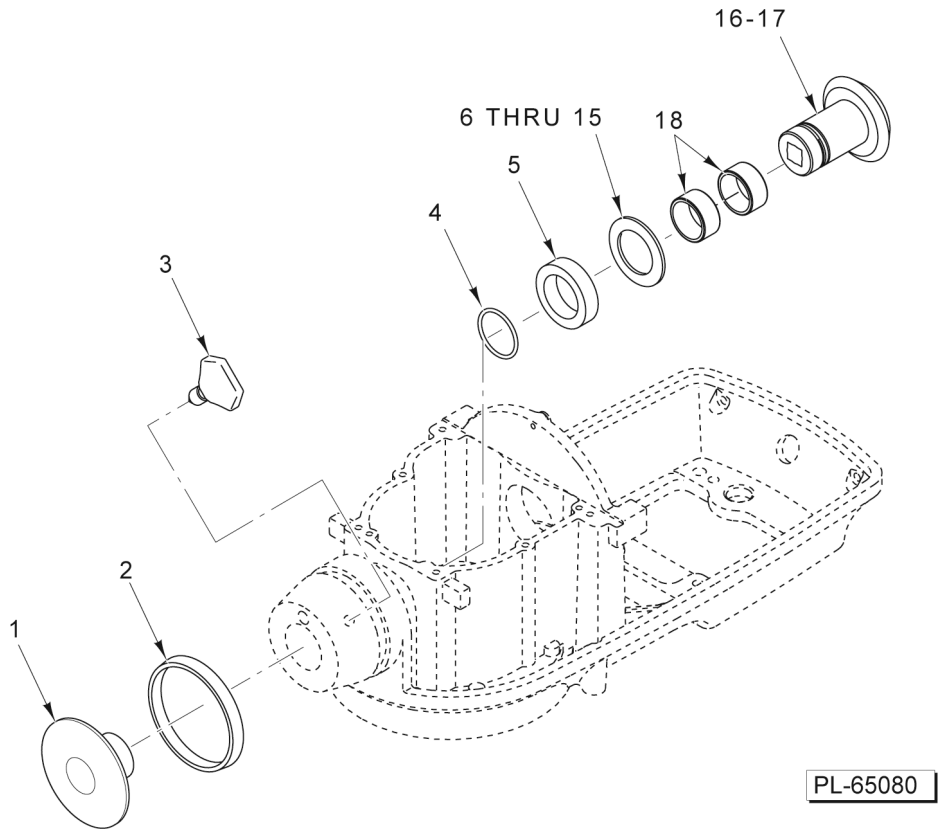


ELECTRICAL COMPONENTS

ELECTRICAL COMPONENTS

| ILLUS. | PART NO. | NAME OF PART | AMT. |
|----------|-----------------|--|------|
| PL-65079 | | | |
| 1 | 00-113703 | Cable Tie..... | 1 |
| 2 | 00-087714-042-5 | Relay (2-Pole, 30 Amp.)..... | 1 |
| 3 | SD-015-37 | Self-Tapping Screw 6-32 x 1/4 Phil. Pan Hd., Type TT..... | 1 |
| 4 | 00-065890-00090 | Terminal (2-Tab)..... | 1 |
| 5 | 00-874763 | Bracket - Controller..... | 1 |
| 6 | NS-009-12 | Nut 8-32 Hex..... | 2 |
| 7 | SC-114-80 | Mach. Screw 1/4-20 x 3/8 Phil. Pan Hd..... | 2 |
| 8 | SC-100-08 | Mach. Screw 1/4-20 x 3/8 Hex Washer Hd..... | 1 |
| 9 | 00-916893 | Controller - Low Voltage (100-120 V., 50-60 Hz., 1Ph.)..... | 1 |
| 10 | 00-916894 | Controller - High Voltage (200-240 V., 50-60 Hz., 1Ph.)..... | 1 |
| *11 | 00-937808 | Controller..... | 1 |
| *12 | 00-937799 | Bracket - Time Delay Relay..... | 1 |
| *13 | SC-119-43 | Mach. Screw 10-24 x 1.25..... | 1 |
| *14 | 00-937810 | Relay - Time Delay..... | 1 |
| *15 | WL-007-11 | Washer - Lock Ext. 10..... | 1 |
| *16 | NS-048-12 | Nut - Hex 10-24..... | 1 |
| *17 | 00-937805 | Harness - Time Delay Relay..... | 1 |
| *18 | 00-937807 | Harness - Main..... | 1 |
| 19 | 00-917132-00001 | Harness - Main..... | 1 |

* ML-141147 Only

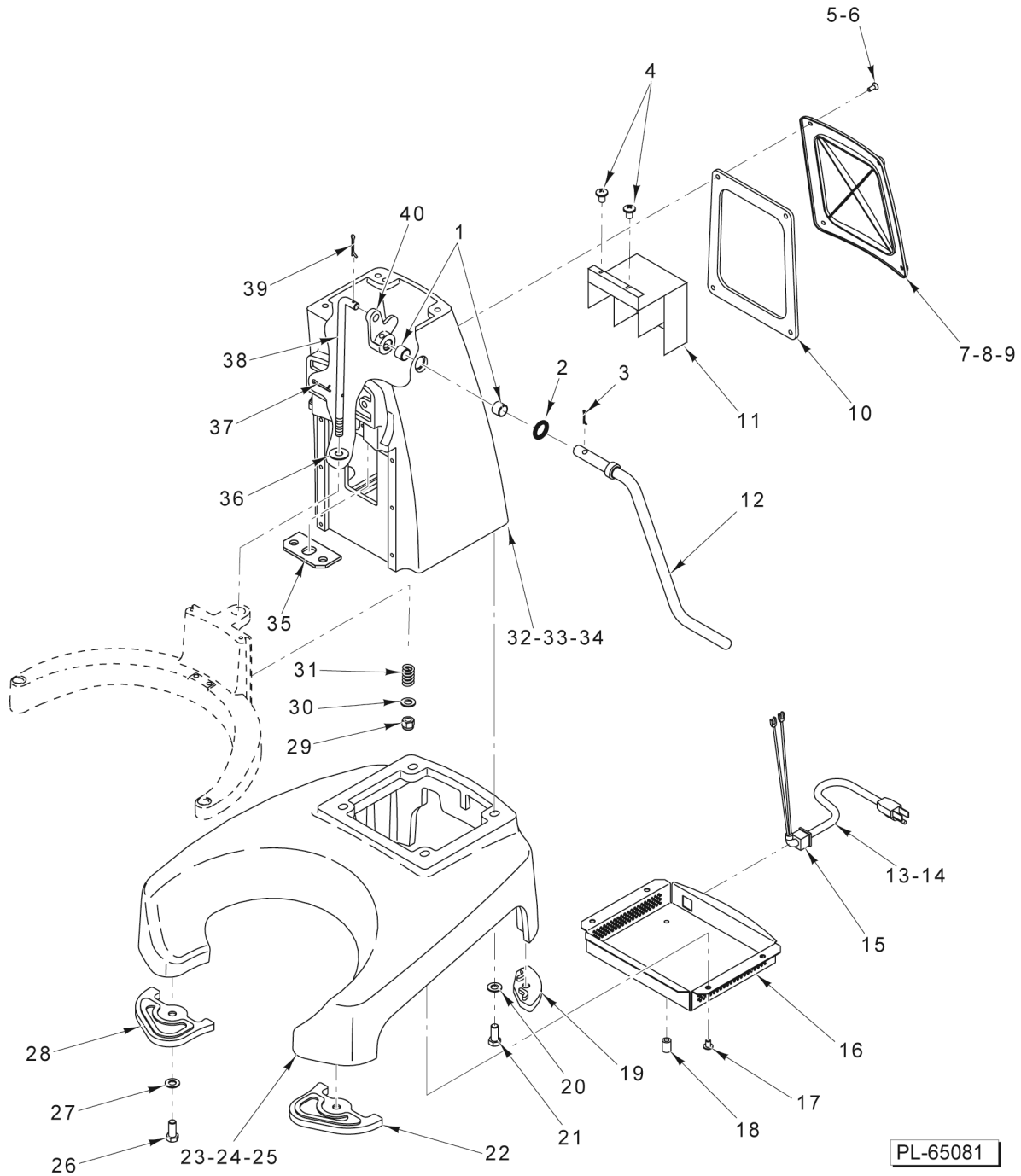


ATTACHMENT HUB

ATTACHMENT HUB

| ILLUS. | PART NO. | NAME OF PART | AMT. |
|----------|-----------------|---|------|
| PL-65080 | | | |
| 1 | 00-917221 | Plug - Attachment (Plastic)..... | 1 |
| | 00-938670 | Plug - Attachment (Metallic)(Starting S/N: 31-1621303)..... | 1 |
| 2 | 00-937329-00003 | Seal - Neoprene..... | 1 |
| 3 | 00-108197-00001 | Thumb Screw 1-1/4 (1/2-12 Sharp V)..... | 1 |
| 4 | OR-001-03 | O-Ring - Quad..... | 1 |
| 5 | 00-874837 | Spacer..... | 1 |
| 6 | 00-012746-00005 | Washer - Thrust (0.080)..... | AR |
| 7 | 00-012746-00006 | Washer - Thrust (0.106)..... | AR |
| 8 | 00-012746-00007 | Washer - Thrust (0.092)..... | AR |
| 9 | 00-012746-00008 | Washer - Thrust (0.086)..... | AR |
| 10 | 00-012746-00009 | Washer - Thrust (0.098)..... | AR |
| 11 | 00-012746-00010 | Washer - Thrust (0.112)..... | AR |
| 12 | 00-012746-00012 | Washer - Thrust (0.119)..... | AR |
| 13 | 00-012746-00013 | Washer - Thrust (0.121)..... | AR |
| 14 | 00-012746-00016 | Washer - Thrust (0.129)..... | AR |
| 15 | 00-012746-00019 | Washer - Thrust (0.115)..... | AR |
| 16 | 00-435065-00002 | Bevel Drive Gear & Seal Assy. (Incls. Item 17)..... | 1 |
| 17 | PL-003-17 | Plug - Expansion..... | 1 |
| 18 | BN-005-13 | Bearing - Needle..... | 2 |

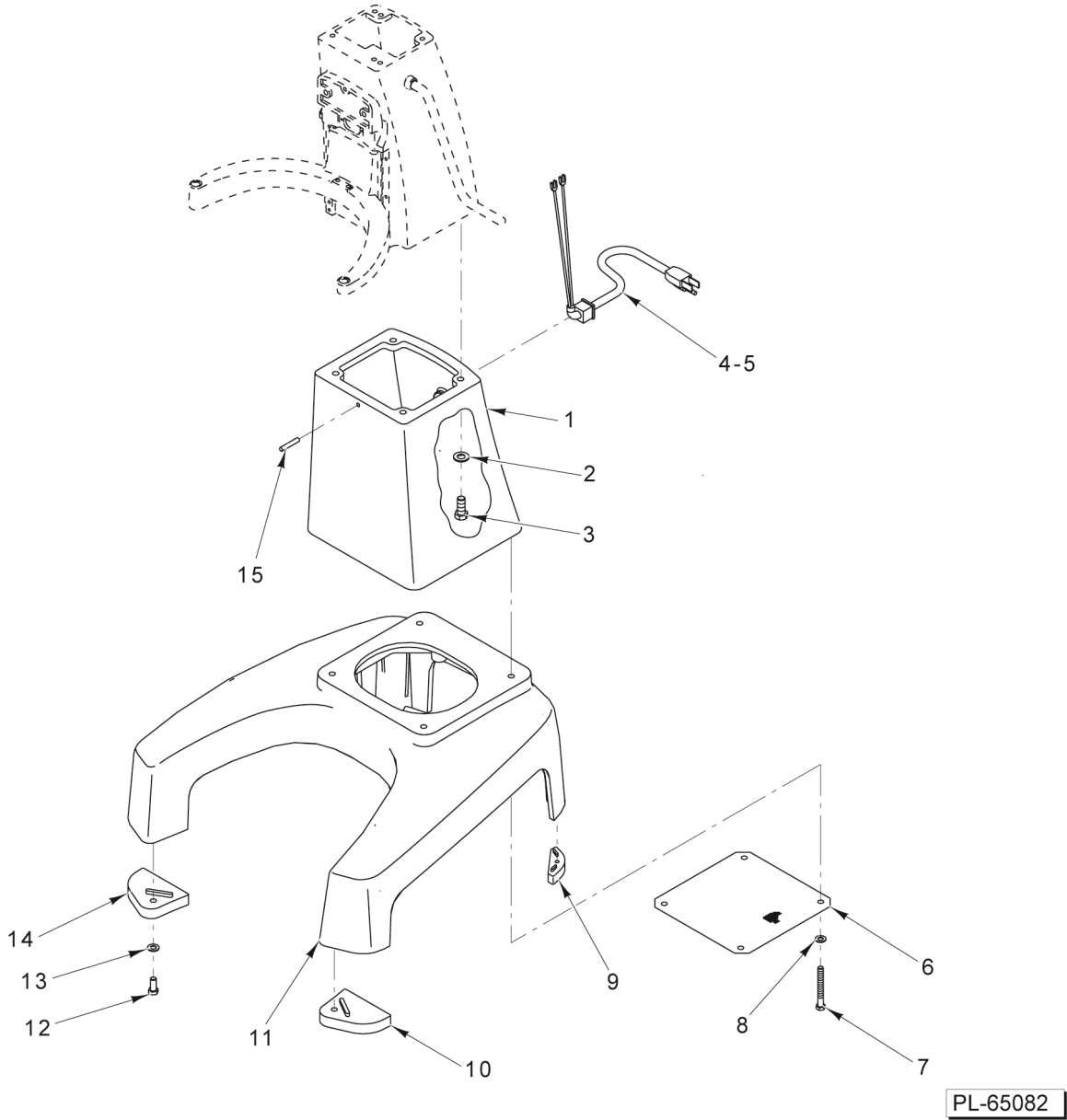
41 00-917167 Barrier - Steam
 42 00-539847 Tie - Cable
PARTS NOT ILLUSTRATED



BASE AND PEDESTAL

BASE AND PEDESTAL

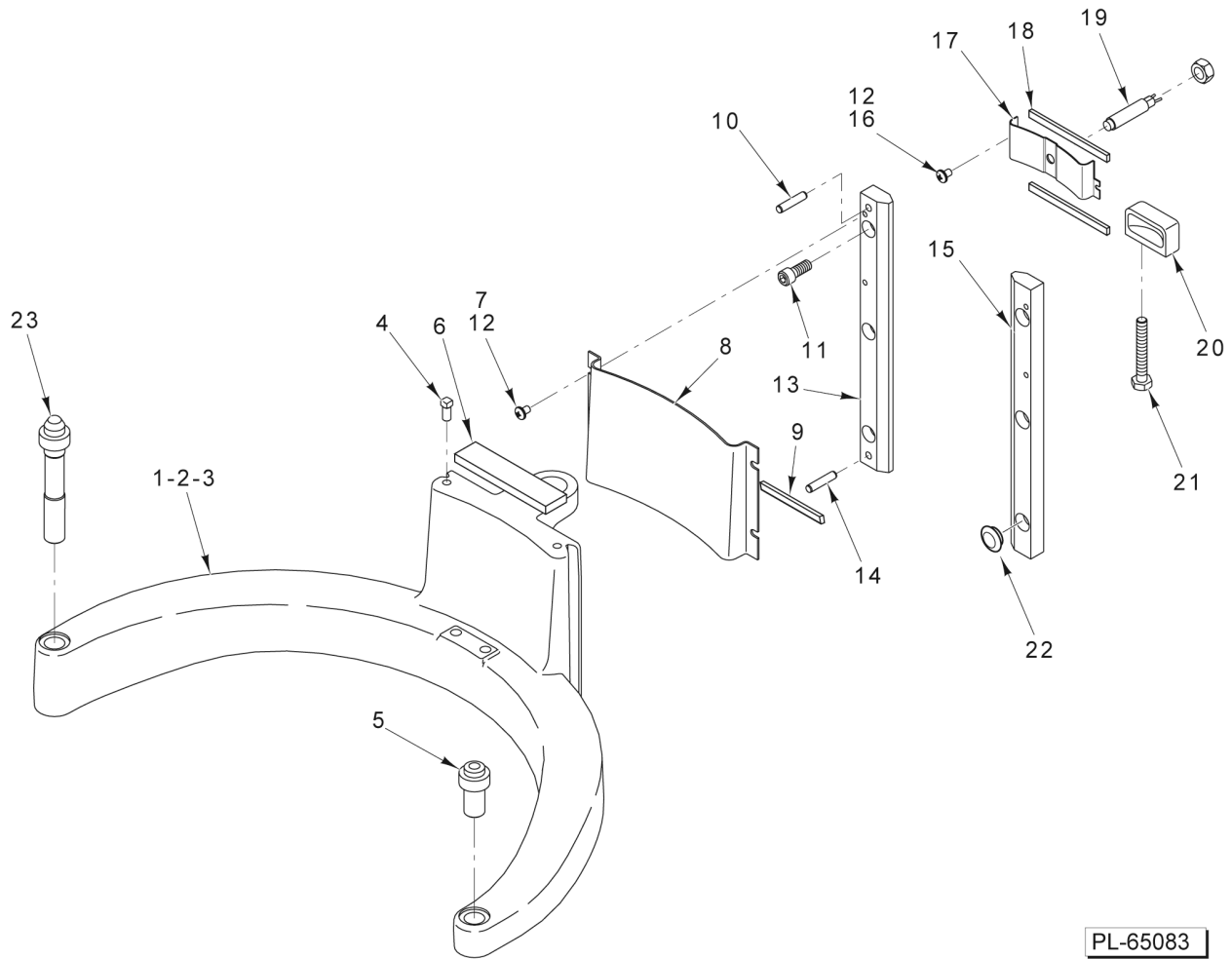
| ILLUS. | PART NO. | NAME OF PART | AMT. |
|----------|-----------------|---|------|
| PL-65081 | | | |
| 1 | 00-479510 | Bushing - Bowl Lift..... | 2 |
| 2 | 00-917649 | Grommet - Handle..... | 1 |
| 3 | PS-004-15 | Spiral Pin 1/4 Dia. x 1-1/8 Lg..... | 1 |
| 4 | SC-123-98 | Mach. Screw M4 x 0.7 x 6mm Phil. Pan Hd..... | 2 |
| 5 | SC-023-10 | Mach. Screw 10-24 x 3/4 Slotted Oval Hd. (SST)..... | 4 |
| 6 | SC-131-27 | Mach. Screw 10-24 x 3/4 Tx. Flat. Hd. (SST) (Correctional)..... | 4 |
| 7 | 00-917231 | Cover - Pedestal (Back)..... | 1 |
| 8 | 00-937412 | Cover - Pedestal (Back) (Blue)..... | 1 |
| 9 | 00-937412-00002 | Cover - Pedestal (Back) (Red)..... | 1 |
| 10 | 00-937202-00001 | Seal - Neoprene Pedestal Cover..... | 1 |
| 11 | 00-937204 | Barrier - Drive Shield..... | 1 |
| 12 | 00-874745-00002 | Handle & Bushing - Bowl Lift..... | 1 |
| 13 | 00-874833-00001 | Cord & Plug Assy. (120 V.)..... | 1 |
| 14 | 00-874833-00002 | Cord & Plug Assy. (220 V.)..... | 1 |
| 15 | FE-026-34 | Strain Relief - Electrical..... | 1 |
| 16 | 00-874760 | Cover - Controller..... | 1 |
| 17 | SC-114-80 | Mach. Screw 1/4-20 x 3/8 Phil. Pan Hd..... | 4 |
| 18 | FE-026-43 | Plug - Button..... | 1 |
| 19 | 00-874879 | Pad - Rear..... | 2 |
| 20 | WS-018-24 | Washer..... | 4 |
| 21 | SC-118-11 | Cap Screw 3/8-16 x 7/8 Hex Hd..... | 4 |
| 22 | 00-874896 | Pad - Front (RH)..... | 1 |
| 23 | 00-874720-00002 | Base (Gray)..... | 1 |
| 24 | 00-874720-00003 | Base (Blue)..... | 1 |
| 25 | 00-874720-00004 | Base (Red)..... | 1 |
| 26 | SC-118-12 | Cap Screw 3/8-16 x 3/4 Hex Hd..... | 4 |
| 27 | WS-018-34 | Washer - Shim .010 THK. (SST)..... | 4 |
| 28 | 00-874878 | Pad - Front (LH)..... | 1 |
| 29 | NS-036-15 | Stop Nut 3/8-24 Hex Special..... | 1 |
| 30 | WS-006-26 | Washer..... | 1 |
| 31 | 00-012782 | Spring..... | 1 |
| 32 | 00-874723-00002 | Pedestal (Gray)..... | 1 |
| 33 | 00-874723-00003 | Pedestal (Blue)..... | 1 |
| 34 | 00-874723-00004 | Pedestal (Red)..... | 1 |
| 35 | 00-874870 | Plate - Spring Bowl Yoke..... | 1 |
| 36 | WS-006-26 | Washer..... | 1 |
| 37 | PC-003-55 | Cotter Pin 1/8 x 3/4..... | 1 |
| 38 | 00-874748 | Rod - Bowl Lift..... | 1 |
| 39 | PC-003-55 | Cotter Pin 1/8 x 3/4..... | 1 |
| 40 | 00-874756 | Arm - Bowl Lift..... | 1 |
| 41 | 00-917167 | Barrier - Steam..... | 1 |
| 42 | 00-539847 | Tie - Cable..... | AR |



**FLOOR BASE AND PEDESTAL
(ML-141127, ML-141133, & ML-141135)**

**FLOOR BASE AND PEDESTAL
(ML-141127, ML-141133, & ML-141135)**

| ILLUS. | PART NO. | NAME OF PART | AMT. |
|----------|-----------------|--------------------------------------|------|
| PL-65082 | | | |
| 1 | 00-916548-00002 | NLA - Obsolete--Block - Riser..... | 1 |
| 2 | WS-018-24 | Washer..... | 4 |
| 3 | SC-118-10 | Cap Screw 3/8-16 x 1 Hex Hd..... | 4 |
| 4 | 00-874833-00001 | Cord & Plug Assy. (120 V.)..... | 1 |
| 5 | 00-874833-00002 | Cord & Plug Assy. (220 V.)..... | 1 |
| 6 | 00-916549 | Screen - Air Floor..... | 1 |
| 7 | SC-124-91 | Cap Screw 3/8-16 x 2-1/2 Hex Hd..... | 4 |
| 8 | WS-018-24 | Washer..... | 4 |
| 9 | 00-916309 | Pad - Rear..... | 2 |
| 10 | 00-916308 | Pad - Front (RH)..... | 1 |
| 11 | 00-916213-00004 | Base..... | 1 |
| 12 | SC-118-12 | Cap Screw 3/8-16 x 3/4 Hex Hd..... | 4 |
| 13 | WS-018-34 | Washer - Shim .010 THK. (SST)..... | 4 |
| 14 | 00-916307 | Pad - Front (LH)..... | 1 |
| 15 | PG-011-51 | Pin - Grooved..... | 1 |

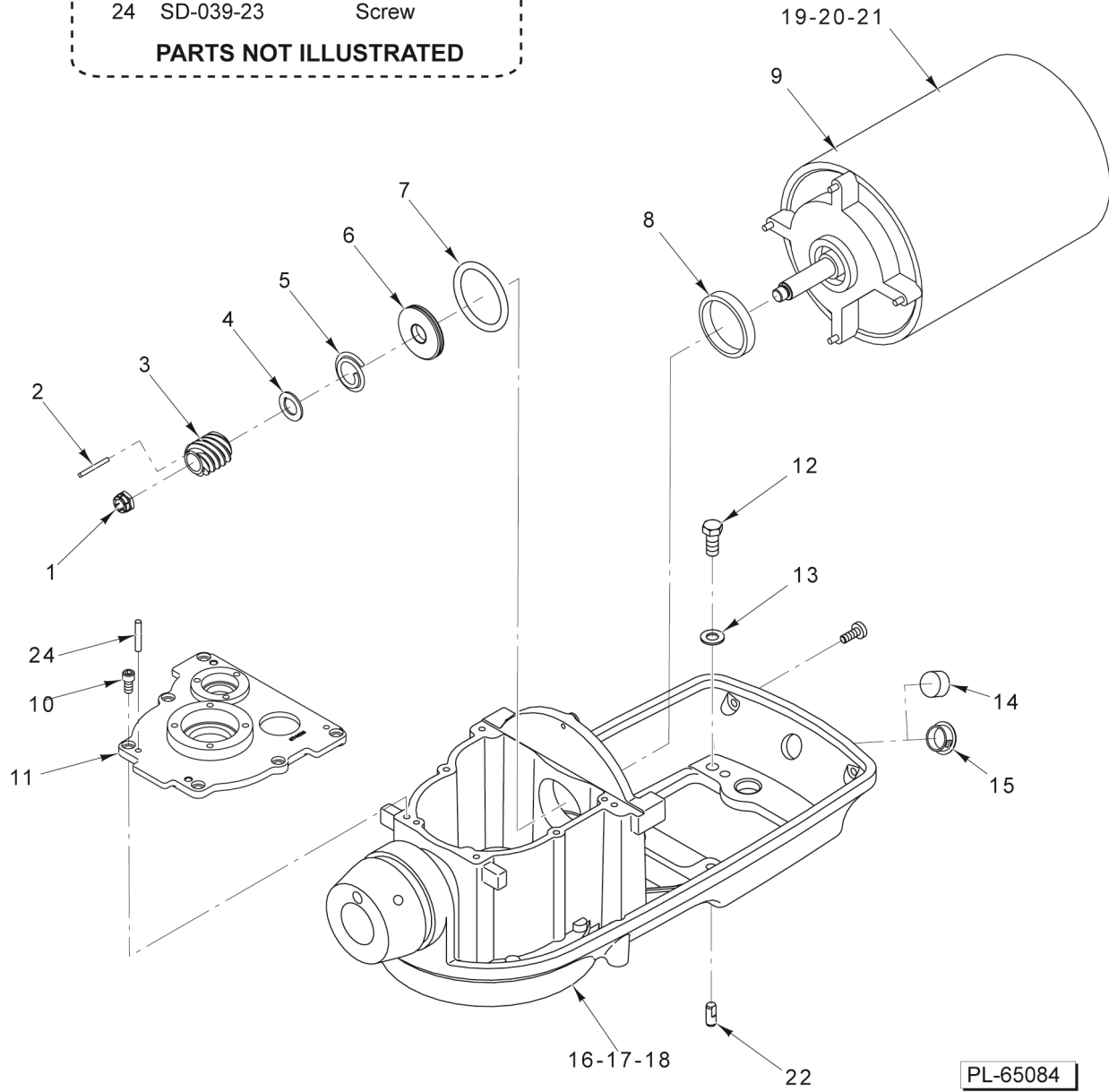


BOWL SUPPORT

BOWL SUPPORT

| ILLUS. | PART NO. | NAME OF PART | AMT. |
|----------|-----------------|---|------|
| PL-65083 | | | |
| 1 | 00-874841-00002 | Support - Bowl (Gray)..... | 1 |
| 2 | 00-874841-00003 | Support - Bowl (Blue)..... | 1 |
| 3 | 00-874841-00004 | Support - Bowl (Red)..... | 1 |
| 4 | SC-129-22 | Set Screw 1/4-20 x 1/4 Sq. Hd. Cup Pt..... | 2 |
| 5 | 00-874727 | Pin - Bowl (RH)..... | 1 |
| 6 | 00-937203 | Seal - Neoprene..... | 1 |
| 7 | SC-122-59 | Mach. Screw 8-32 x 1/4 Phil. Pan Hd. (SST)..... | 4 |
| 8 | 00-874742 | Apron..... | 1 |
| 9 | 00-937202-00003 | Seal - Neoprene Apron..... | 1 |
| 10 | 00-011800-00187 | Dowel..... | 2 |
| 11 | SC-089-02 | Cap Screw 1/4-20 x 3/4 Hex Socket Hd..... | 6 |
| 12 | SC-128-73 | Mach. Screw 8-32 x 1/4 Tx. Button Hd. (SST) (Correctional)..... | 6 |
| 13 | 00-874738-00001 | Slideway - Bowl Lift (LH)..... | 1 |
| 14 | 00-011800-00187 | Dowel..... | 1 |
| 15 | 00-874738-00002 | Slideway - Bowl Lift (RH)..... | 1 |
| 16 | SC-122-59 | Mach. Screw 8-32 x 1/4 Phil. Pan Hd. (SST)..... | 2 |
| 17 | 00-937323 | Cover - Bowl Interlock..... | 1 |
| 18 | 00-937202-00002 | Seal - Neoprene Control Cover..... | 2 |
| 19 | 00-087711-00352 | Switch - Reed..... | 1 |
| 20 | 00-874842 | Hold Down - Bowl (Rear)..... | 1 |
| 21 | SC-062-69 | Cap Screw 1/4-20 x 1-3/4 Hex Hd..... | 2 |
| 22 | PB-004-97 | Cap..... | 4 |
| 23 | 00-874726 | Pin - Bowl (LH)..... | 1 |

| | | |
|------------------------------|-----------|----------------|
| 23 | 00-917983 | Shield - Mylar |
| 24 | SD-039-23 | Screw |
| PARTS NOT ILLUSTRATED | | |

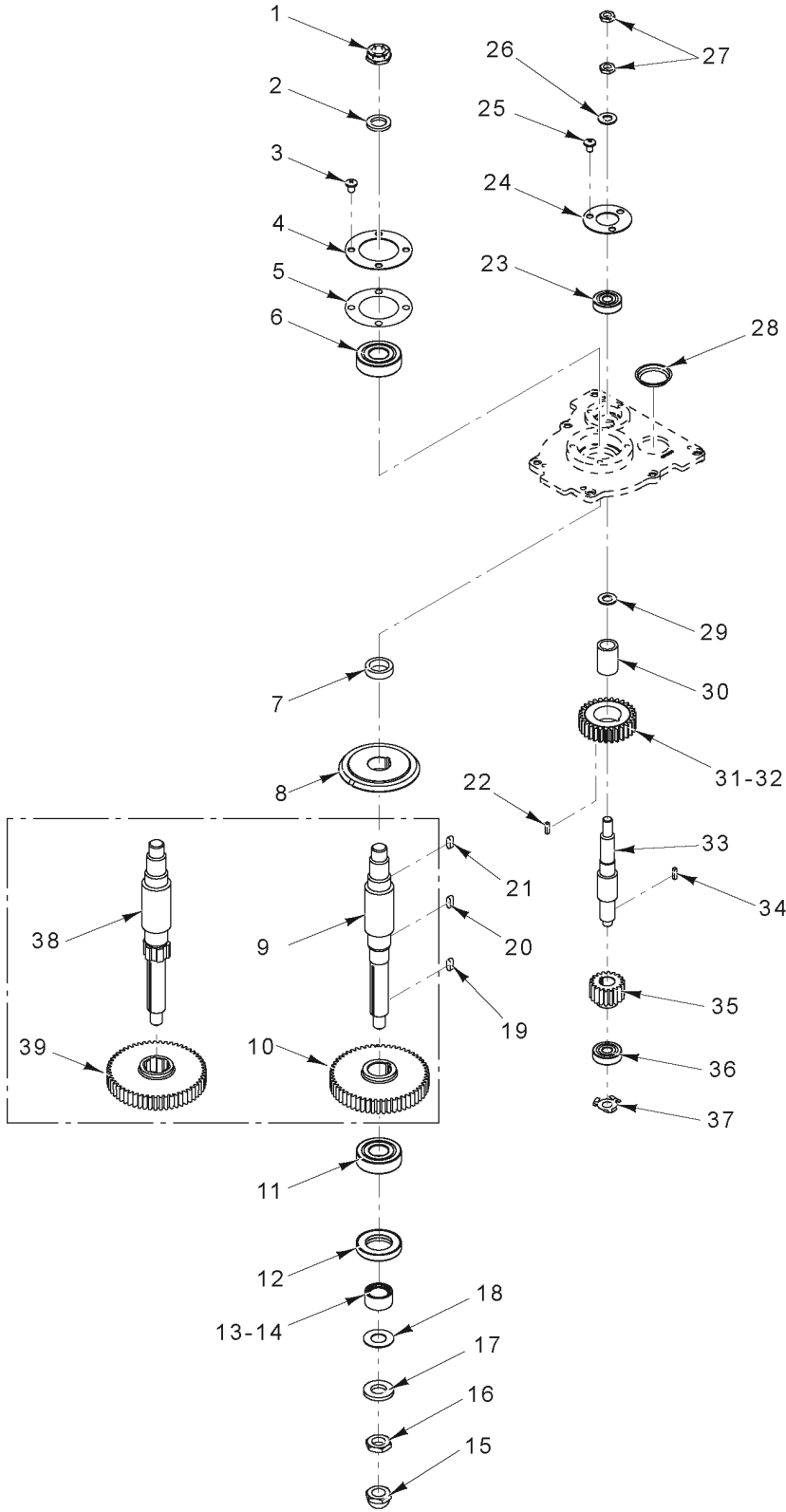


TRANSMISSION CASE AND MOTOR

TRANSMISSION CASE AND MOTOR

| ILLUS. PL-65084 | PART NO. | NAME OF PART | AMT. |
|--------------------|-----------------|--|------|
| 1 | NS-032-23 | Lock Nut 7/16-20 Special..... | 1 |
| 2 | 00-012430-00004 | Key 1/8 x 1/8 x 1-1/4..... | 1 |
| 3 | 00-291221 | Gear - Worm (60 Cycle)..... | 1 |
| 4 | 00-012754 | Washer..... | 1 |
| 5 | 00-012757 | Spring - Shock Absorber..... | 1 |
| 6 | 00-874820 | Deflector - Grease (LH)..... | 1 |
| 7 | 00-067500-00050 | O Ring..... | 1 |
| 8 | 00-916445 | Bushing - Motor..... | 1 |
| 9 | 00-917810 | Motor (All Voltages - For Insulated Mixers Only)..... | 1 |
| 10 | SC-089-01 | Cap Screw 1/4-20 x 1/2 Hex Socket Hd..... | 6 |
| 11 | 00-874755 | Cover - Transmission..... | 1 |
| 12 | SC-118-11 | Cap Screw 3/8-16 x 7/8 Hex Hd..... | 4 |
| 13 | WS-018-24 | Washer..... | 4 |
| 14 | 00-874876 | Plug - Cupped Expansion (Brass)..... | 1 |
| 15 | 00-874857 | Plug..... | 1 |
| *16 | 00-937437-00003 | Transmission Case - Lower (Blue)..... | 1 |
| *17 | 00-937437-00002 | Transmission Case - Lower (Gray)..... | 1 |
| *18 | 00-937437-00004 | Transmission Case - Lower (Red)..... | 1 |
| 19 | 00-917938 | Bearing - Flange (Front)..... | 4 |
| 20 | 00-917839 | Tubing - Shrink (36" length)..... | 1 |
| 21 | 00-557982 | Bearing - Flange (Rear)..... | 4 |
| 22 | 00-270776 | Dowel..... | 2 |
| 23 | 00-917983 | Shield - Mylar | 1 |
| 24 | SD-039-23 | Self-Tapping Screw 6-32 x 1/4 Hex Washer Hd., Type RL..... | 2 |
| 25 | 00-011800-00187 | Dowel..... | 2 |

* (Order items 7, 20 (qty of 2) & 00-435065-00002)

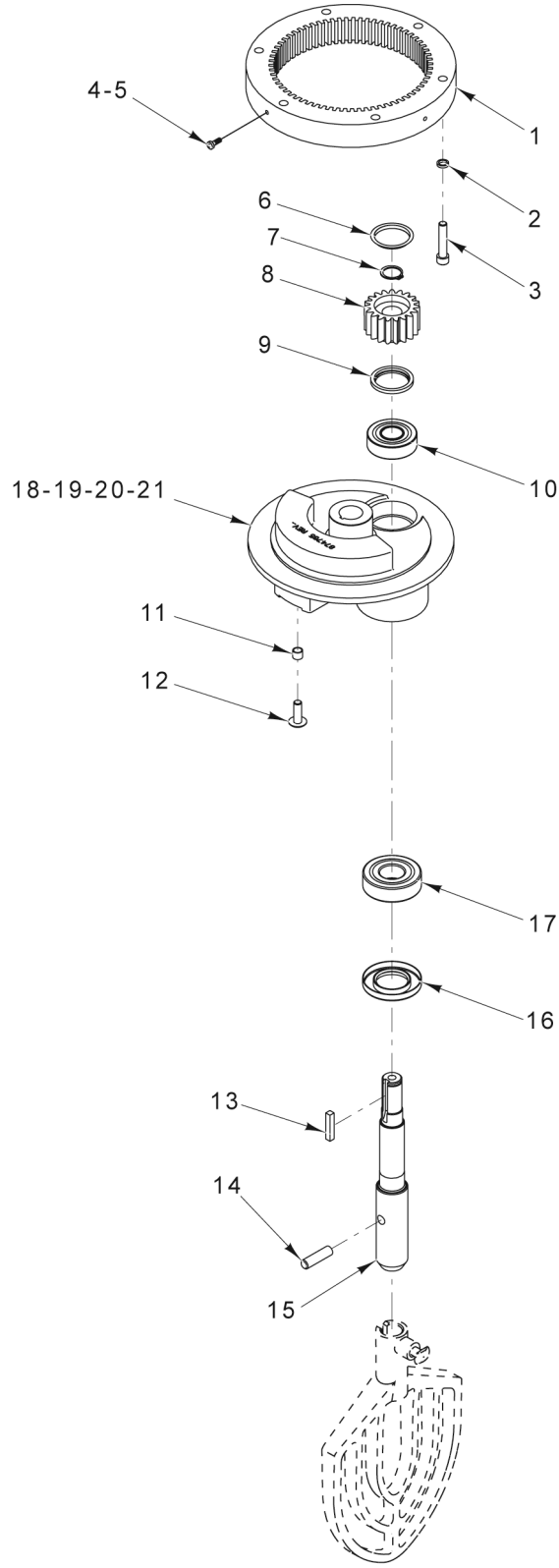


PL-65085

TRANSMISSION

TRANSMISSION

| ILLUS. PL-65085 | PART NO. | NAME OF PART | AMT. |
|--------------------|-----------------|--|------|
| 1 | NS-032-37 | Lock Nut 5/8-18 Special..... | 1 |
| 2 | WS-031-41 | Washer..... | 1 |
| 3 | SC-089-01 | Cap Screw 1/4-20 x 1/2 Hex Socket Hd..... | 4 |
| 4 | 00-938760 | Retainer - Planetary Bearing..... | 1 |
| 5 | 00-874795 | Gasket - Bearing..... | 1 |
| 6 | BB-005-34 | Ball Bearing..... | 1 |
| 7 | 00-874793 | Spacer - Planetary..... | 1 |
| 8 | 00-124733-00002 | Gear - Bevel (46T)..... | 1 |
| 9 | 00-874635 | Shaft - Planetary (Use Only W/Item 10)..... | 1 |
| 10 | 00-874778 | Gear (55T, 14P) (Use Only W/Item 9)..... | 1 |
| 11 | BB-020-06 | Ball Bearing (Fafnir 204KDFA51580)..... | 1 |
| 12 | 00-114695 | Seal - Oil..... | 1 |
| 13 | 00-437342 | Spacer - Bearing..... | 1 |
| 14 | 00-067500-00078 | O-Ring..... | 1 |
| 15 | 00-024715-00003 | Acorn Nut 1/2-20..... | 1 |
| 16 | 00-010928-00002 | Nut - Special..... | 1 |
| 17 | WS-030-83 | Washer - Retaining (STL)..... | 1 |
| 18 | 00-124946 | Washer (1/32 Thk.)..... | 1 |
| 19 | 00-012430-00017 | Key 1/8 x 1/8 x 2-7/16..... | 1 |
| 20 | 00-874873-00002 | Key..... | 1 |
| 21 | 00-874873-00001 | Key..... | 1 |
| 22 | 00-012430-00024 | Key 1/8 x 1/8 x 1/2..... | 1 |
| 23 | BB-005-02 | Ball Bearing - N.D. #7500..... | 1 |
| 24 | 00-938761 | Retainer - Input Bearing..... | 1 |
| 25 | SC-089-01 | Cap Screw 1/4-20 x 1/2 Hex Socket Hd..... | 3 |
| 26 | WS-006-36 | Washer..... | 1 |
| 27 | 00-012710 | Nut - Retaining..... | 2 |
| 28 | 00-064871 | Plug - Friction..... | 1 |
| 29 | 00-968075 | Spacer, Worm Wheel..... | 1 |
| 30 | 00-916962 | Spacer - Gear..... | 1 |
| 31 | 00-917797 | Gear - Worm..... | 1 |
| 32 | 00-917797-00002 | Gear - Insulated Worm (Above S/N 311569659 or Pretzel Mixers)..... | 1 |
| 33 | 00-916961 | Shaft - Worm Wheel..... | 1 |
| 34 | 00-012430-00024 | Key 1/8 x 1/8 x 1/2..... | 1 |
| 35 | 00-874777 | Gear (18T, 14P)..... | 1 |
| 36 | BB-021-62 | Ball Bearing..... | 1 |
| 37 | SL-002-08 | Spring - Loading..... | 1 |
| 38 | 00-937980 | Shaft Planetary (Use Only W/Item 39) (Repls Item 9)..... | 1 |
| 39 | 00-937981 | Gear (55T-14P) (Use Only W/Item 38) (Repls Item 10)..... | 1 |

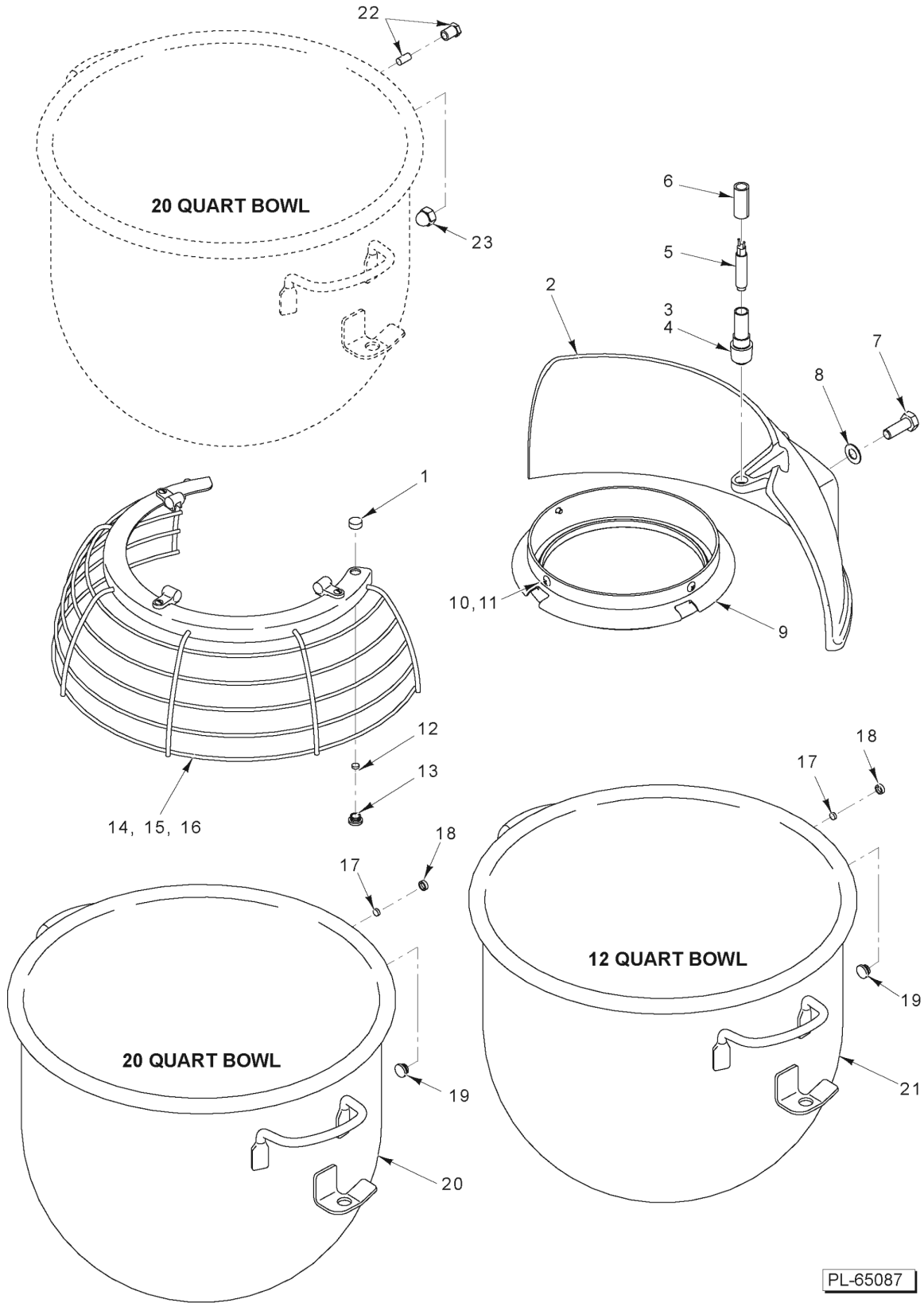


PL-65086

PLANETARY

PLANETARY

| ILLUS. PL-65086 | PART NO. | NAME OF PART | AMT. |
|--------------------|-----------------|---|------|
| 1 | 00-438524-00002 | Gear - Internal (63T)..... | 1 |
| 2 | WL-003-35 | Lockwasher 1/4 Helical..... | 6 |
| 3 | SC-040-09 | Cap Screw 1/4-20 x 1-1/4 Hex Socket Hd..... | 6 |
| 4 | SC-066-13 | Mach. Screw 8-32 x 1/4 Phil. Truss Hd. (SST)..... | 3 |
| 5 | SC-128-73 | Mach. Screw 8-32 x 1/4 Tx. Button Hd. (SST) (Correctional)..... | 3 |
| 6 | 00-916336 | Plug - Friction (1 In. Dia.)..... | 1 |
| 7 | RR-004-18 | Retaining Ring..... | 1 |
| 8 | 00-916335 | Pinion - Beater Shaft..... | 1 |
| 9 | 00-916512 | Seal - Upper Agitator Shaft..... | 1 |
| 10 | BB-018-17 | Bearing - Ball Hoover..... | 1 |
| 11 | 00-874770 | Spacer - Bowl Scraper..... | 2 |
| 12 | SC-053-46 | Mach. Screw 1/4-20 x 3/4 Slotted Truss Hd. (SST)..... | 2 |
| 13 | 00-012430-00055 | Key 3/16 x 3/16 x 1..... | 1 |
| 14 | 00-065062-00001 | Pin - Dowel..... | 1 |
| 15 | 00-937706 | Shaft - Agitator & Pin Assy..... | 1 |
| 16 | 00-023482 | Seal - Oil (1 In. I.D.)..... | 1 |
| 17 | BB-005-34 | Ball Bearing..... | 1 |
| 18 | 00-916333-00001 | Planetary (Gray)..... | 1 |
| 19 | 00-916333-00003 | Planetary (Blue)..... | 1 |
| 20 | 00-916333-00004 | Planetary (Red)..... | 1 |
| 21 | 00-916332 | Planetary Subassy. (Gray) (Incls. Items 6 thru 18)..... | 1 |

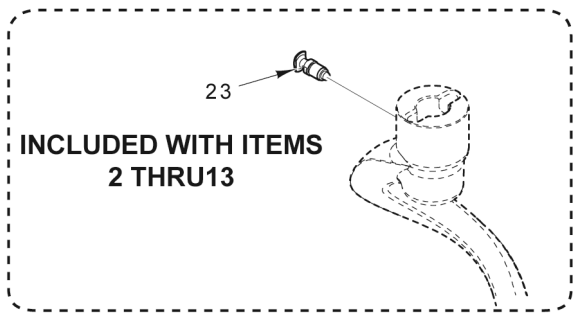
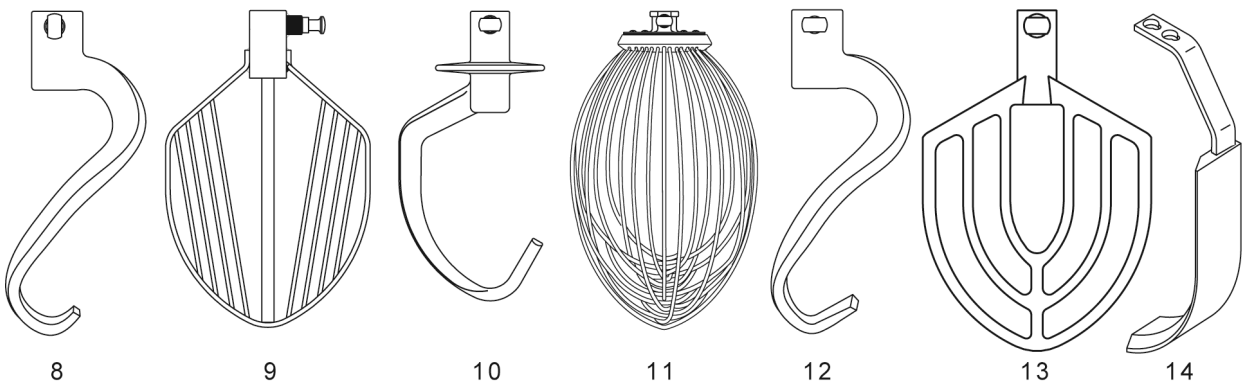
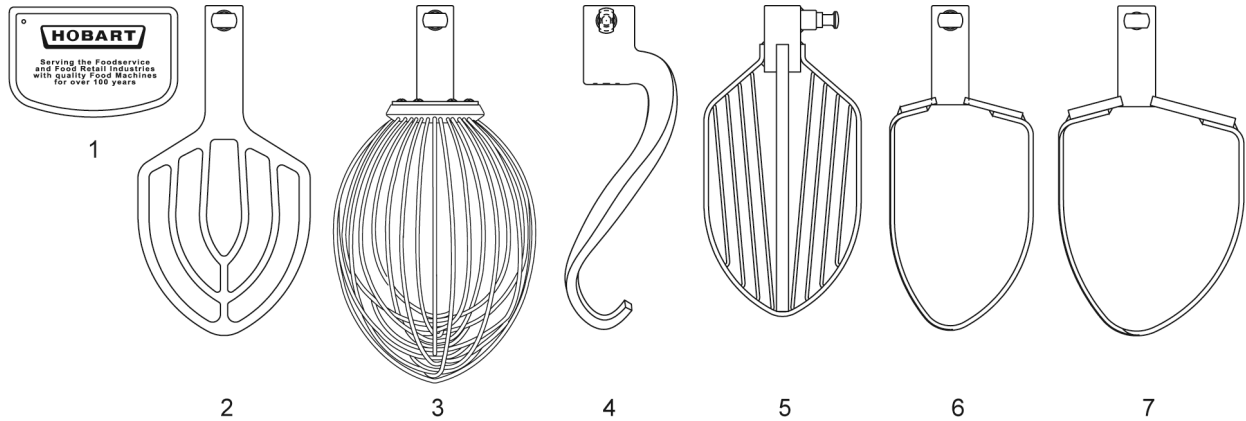


BOWL AND BOWL GUARD

BOWL AND BOWL GUARD

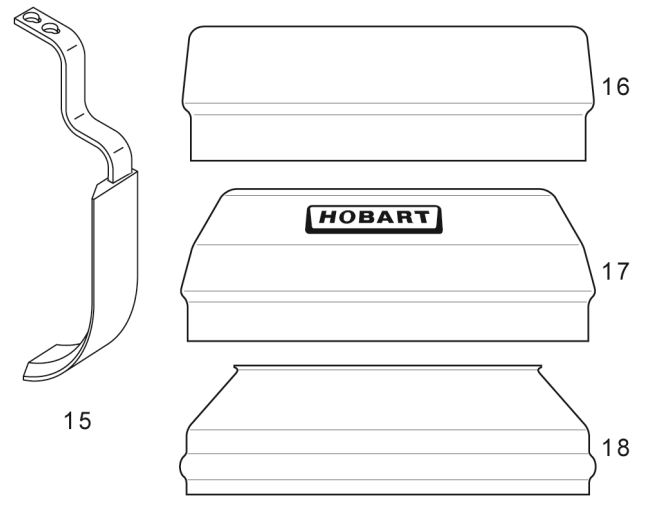
| ILLUS. PL-65087 | PART NO. | NAME OF PART | AMT. |
|--------------------|-----------------|---|------|
| 1 | 00-917357 | Holder - Magnet (Upper)..... | 1 |
| 2 | 00-917234 | Guard - Splash..... | 1 |
| 3 | 00-917232 | Holder - Switch Reed (1/2 - 20 UNF-2B)..... | 1 |
| 4 | 00-874839 | Pin - Sensor..... | 1 |
| 5 | 00-087711-00352 | Switch - Reed..... | 1 |
| 6 | 00-937354 | Tube - Split..... | 1 |
| 7 | SC-118-18 | Cap Screw 1/4-20 x 7/8 Hex Hd..... | 2 |
| 8 | WS-003-19 | Washer..... | 2 |
| 9 | 00-917272 | Cup - Drip & Flange..... | 1 |
| 10 | SC-066-13 | Mach. Screw 8-32 x 1/4 Phil. Truss Hd. (SST)..... | 3 |
| 11 | SC-128-73 | Mach. Screw 8-32 x 1/4 Tx. Button Hd. (SST) (Correctional)..... | 3 |
| 12 | 00-937623 | Magnet - Disc..... | 1 |
| 13 | 00-917358 | Holder - Magnet (Lower)..... | 1 |
| 14 | 00-937163-00001 | Wire Cage Assy. (Incls. Items 1, 12, & 13)..... | 1 |
| 15 | 00-937163-00002 | Wire Cage Assy. (Incls. Items 1, 12, & 13) (Correctional)..... | 1 |
| *16 | 00-937163-00004 | Wire Cage Assy. (Incls. Items 1, 12, & 13)..... | 1 |
| 17 | 00-937623 | Magnet - Disc..... | AR |
| 18 | 00-917357 | Holder - Magnet (Upper)..... | 1 |
| 19 | 00-917358 | Holder - Magnet (Lower)..... | 1 |
| 20 | 00-917720 | Bowl Assy. (20 Qt.) (SST) (Packaged) (Incls. Items 17, 18, 19, & 20)..... | 1 |
| 21 | 00-874864 | Bowl Assy. (12 Qt.) (SST) (Packaged) (Incls. Items 17, 18, 19, & 21)..... | 1 |
| 22 | 00-917527 | Housing - Magnet..... | 1 |
| 23 | NS-025-11 | Crown Nut 3/8-24..... | 1 |

* ML-141147 Only



| | | |
|----|-----------------|---------------------------|
| 19 | 00-874885 | Ingredient Chute (12 Qt.) |
| 20 | 00-916684 | Ingredient Chute (20 Qt.) |
| 21 | 00-874899 | Tray - Support |
| 22 | 00-435636-00001 | Scraper - Bowl |

PARTS NOT ILLUSTRATED

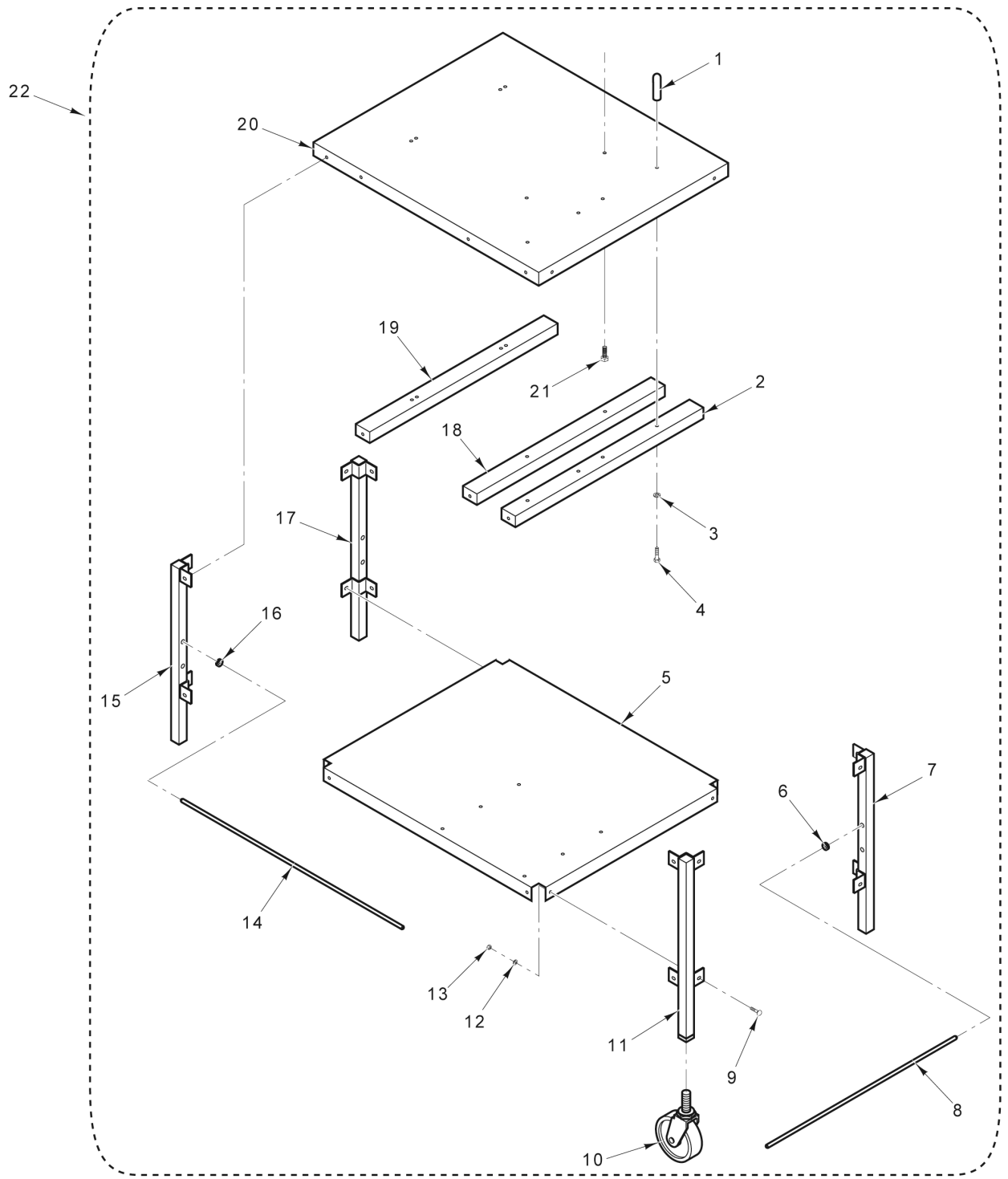


PL-65088

AGITATORS AND ACCESSORIES

AGITATORS AND ACCESSORIES

| ILLUS. PL-65088 | PART NO. | NAME OF PART | AMT. |
|--------------------|-----------------|--|------|
| 1 | 00-118801 | Scraper - Bowl (Handheld)..... | 1 |
| 2 | 00-874828 | "B" Beater (12 Qt.) (Packaged) (Incls. Item 1)..... | 1 |
| 3 | 00-873360 | "D" Wire Whip (12 Qt.) (Packaged) (Incls. Item 1)..... | 1 |
| 4 | 00-873343 | ED Dough Arm (12 Qt.) (Packaged) (Incls. Item 1)..... | 1 |
| 5 | 00-875893 | "C" Whip (12 Qt.) (Packaged) (Incls. Item 1)..... | 1 |
| 6 | 00-873370 | Pastry Knife (12 Qt.) (Packaged) (Incls. Item 1)..... | 1 |
| 7 | 00-873294 | Pastry Knife (20 Qt.) (Packaged) (Incls. Item 1)..... | 1 |
| 8 | 00-873313 | "EDA" Dough Arm (20 Qt.) (Packaged) (Incls. Item 1) (Auntie Anne's)..... | 1 |
| 9 | 00-873331 | "C" Whip (20 Qt.) (Packaged) (Incls. Item 1)..... | 1 |
| 10 | 00-873335 | "E" Dough Arm (20 Qt.) (Packaged) (Incls. Item 1)..... | 1 |
| 11 | 00-874792 | D Wire Whip (20 Qt.) (Packaged) (Incls. Item 1)..... | 1 |
| 12 | 00-874791 | "ED" Dough Arm (20 Qt.) (Packaged) (Incls. Item 1)..... | 1 |
| 13 | 00-874790 | "B" Beater (20 Qt.) (Packaged) (Incls. Item 1)..... | 1 |
| 14 | 00-873373 | Scraper (12 Qt.) (Packaged)..... | 1 |
| 15 | 00-874836 | Scraper (20 Qt.) (Packaged)..... | 1 |
| 16 | 00-438078 | Splash Cover & Bowl Extension (12 Qt.) (Packaged)..... | 1 |
| 17 | 00-438079 | Splash Cover & Bowl Extension (20 Qt.) (Packaged)..... | 1 |
| 18 | 00-875677 | Splash Cover (20 Qt.) (Packaged) (SST)..... | 1 |
| 19 | 00-874885 | Ingredient Chute (12 Qt.) (Packaged)..... | 1 |
| 20 | 00-916684 | Ingredient Chute (20 Qt.) (Packaged)..... | 1 |
| 21 | 00-874899 | Tray - Support (Packaged)..... | 1 |
| 22 | 00-435636-00001 | Scraper - Bowl..... | 1 |
| 23 | 00-874753 | Plunger Assy..... | AR |



PL-65089

MIXER TABLE

MIXER TABLE

| ILLUS. | PART NO. | NAME OF PART | AMT. |
|---------------|-----------------|---|-------------|
| 1 | 00-124075 | NLA - Obsolete--Post..... | 4 |
| 2 | 00-124067 | NLA - Obsolete--Support - Cross Top..... | 1 |
| 3 | WL-004-06 | Lockwasher 3/8 Helical..... | 8 |
| 4 | SC-037-71 | Cap Screw 3/8-16 x 3/4 Hex Hd..... | 8 |
| 5 | 00-123427 | Shelf - Table..... | 1 |
| 6 | 00-124076 | Grommet..... | 4 |
| 7 | 00-124073 | Leg - Rear (LH)..... | 1 |
| 8 | 00-124074-00002 | Rod (Short)..... | 2 |
| 9 | SC-094-26 | Bolt - Carriage 1/4-20 x 1/2..... | 22 |
| 10 | 00-205003 | Caster - Locking..... | 4 |
| 11 | 00-124070 | Leg - Rear (RH)..... | 1 |
| 12 | WS-005-01 | Washer..... | 22 |
| 13 | NS-013-02 | Nut 1/4-20 Hex..... | 22 |
| 14 | 00-124074-00001 | NLA - Obsolete--Rod (Long)..... | 4 |
| 15 | 00-124071 | NLA - Obsolete--Leg - Front (RH)..... | 1 |
| 16 | 00-124076 | Grommet..... | 8 |
| 17 | 00-124072 | Leg - Front (LH)..... | 1 |
| 18 | 00-875983 | Support - Cross Top..... | 1 |
| 19 | 00-124069 | NLA - Obsolete--Support - Cross Top..... | 1 |
| 20 | 00-875982 | Top..... | 1 |
| 21 | SC-133-19 | Screw, Cap 3/8-16 x 3/4 Mixer Mounting Screw..... | 4 |
| 22 | ML-141060-0000Z | Table Assy., Complete..... | 1 |



PL-61608

LABELS & NAMEPLATES

LABELS & NAMEPLATES

| ILLUS. | PART NO. | NAME OF PART | AMT. |
|--------------------|-----------|--|------|
| PL-PL-61608 | | | |
| 1 | 00-938642 | Label, Legacy "+" Small (Starting S/N: 31-1621303)..... | 1 |
| 2 | 00-938665 | Nameplate, Hobart, Zinc Small (Starting S/N: 31-1621303)..... | 1 |
| 3 | 00-938664 | Nameplate, Hobart, Zinc Medium (Starting S/N: 31-1621303)..... | 1 |
| 4 | 00-938577 | Label, RCM (Australia)..... | 1 |

