

# TRAVEL FOOD SERVICES

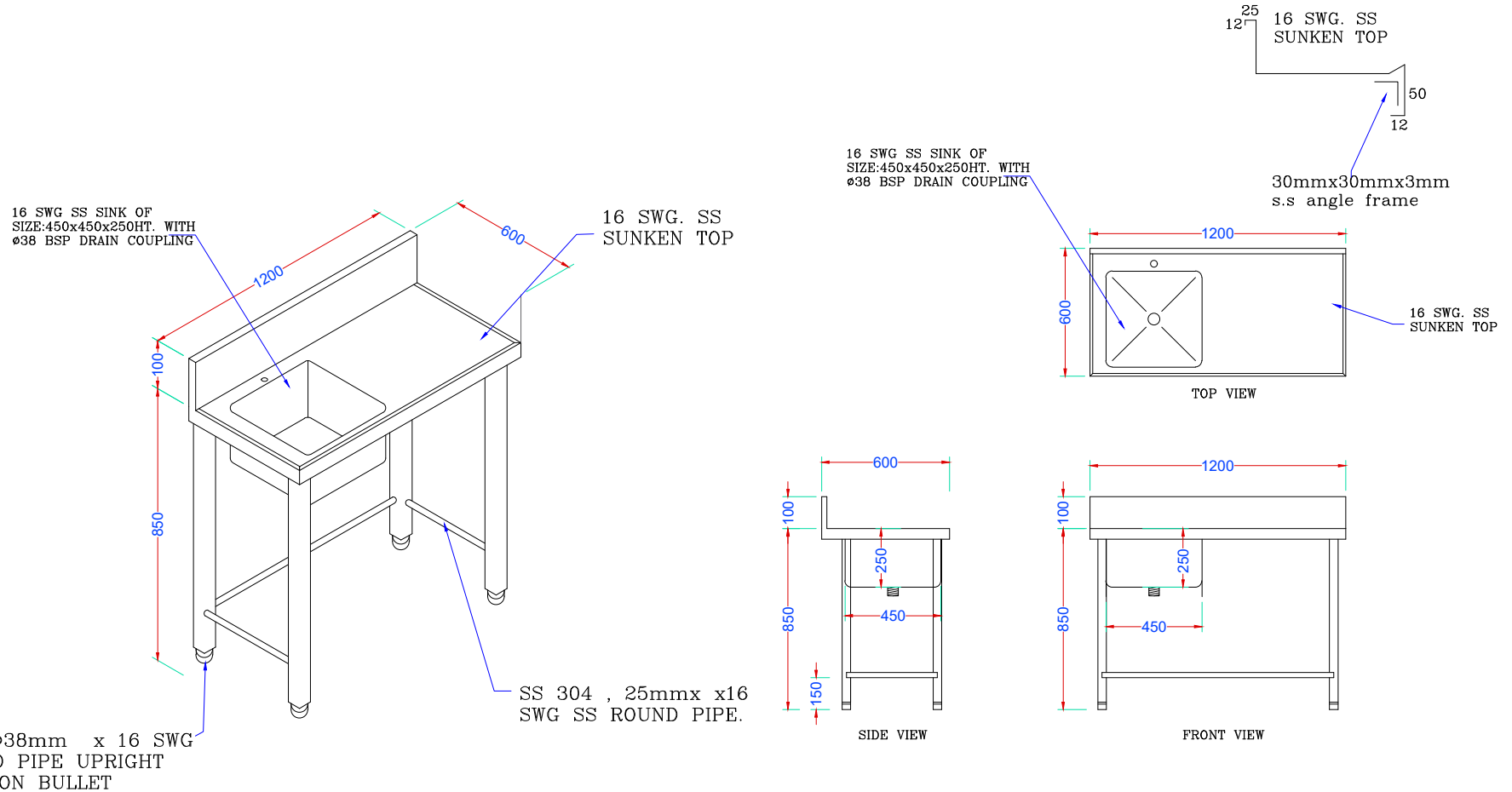
Eq.No : 01

SS SINK TABLE WITH CROSS  
SUPPORT SINK ON LHS

Over All Size:- 1200 x 600 x 850 + 100

Qty:- 1No.

**DRAWING :**     DIMENSIONS ARE IN MM



TITLE :		REV. NO :	---	DESIGN BY	Sign
		DATE :	07-08-2024	DWN. BY : FAHEEM	
		SCALE :	N.T.S.	CHKD BY: SAEED K.	
PROJECT :	CHAI POINT, HYDERABAD F-26			APRVD BY:	

