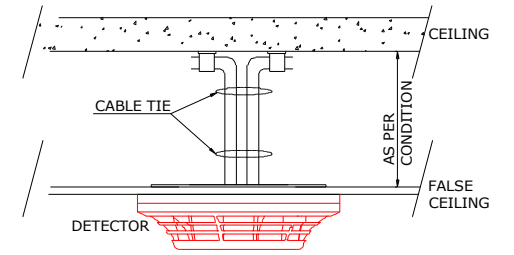


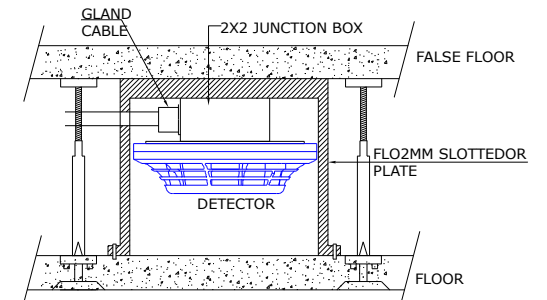
TYPICAL SPRINKLER

MOUNTING DETAIL

MOUNTING DETAILS



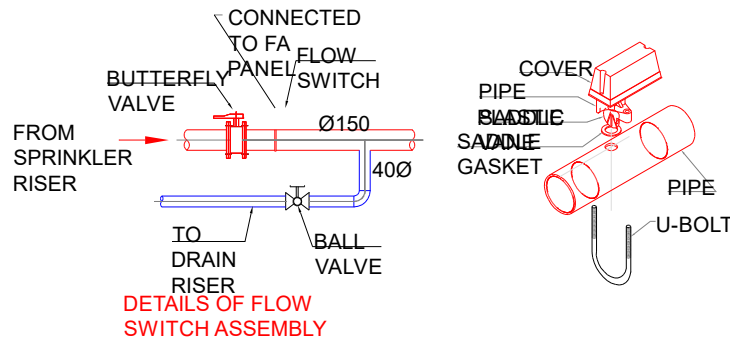
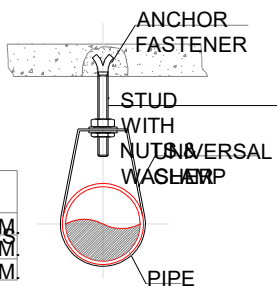
DETECTOR MOUNTING DETAILS BELOW FALSE CEILING



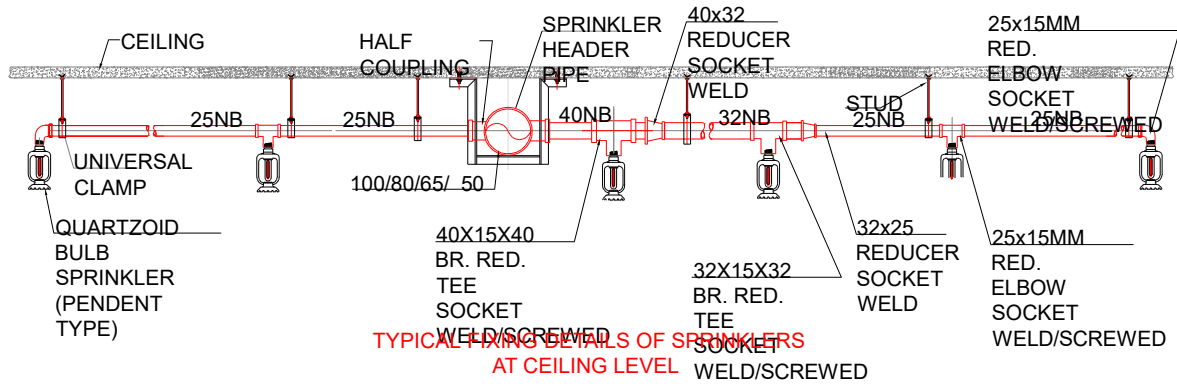
DETECTOR MOUNTING DETAILS BELOW FALSE FLOORING

PIPE SUPPORT DETAILS

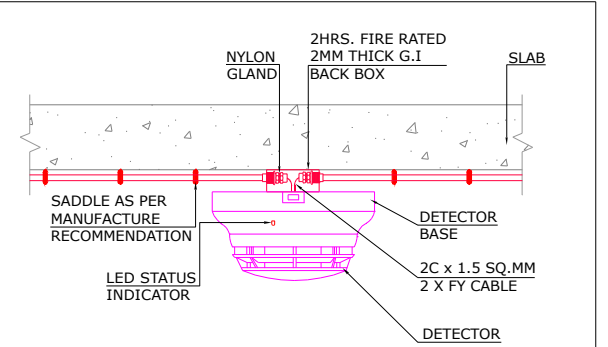
PIPE SIZE	DISTANCE BETWEEN HANGERS	STUD ROD APPROX. SIZE
25MM Ø	3.0 M.	10 MM.
32MM Ø	3.0 M.	10 MM.
40MM Ø	3.0 M.	10 MM.



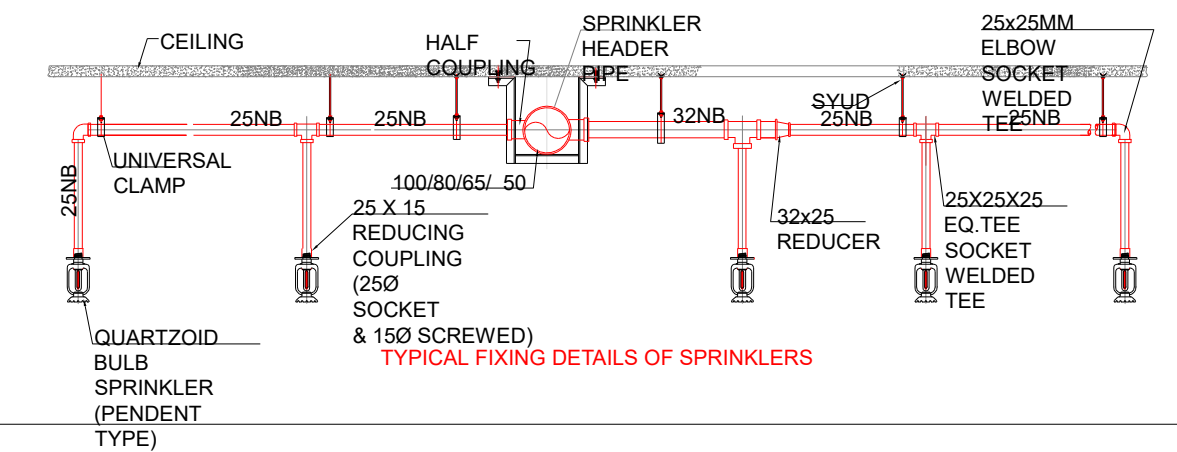
DETAILS OF FLOW SWITCH ASSEMBLY



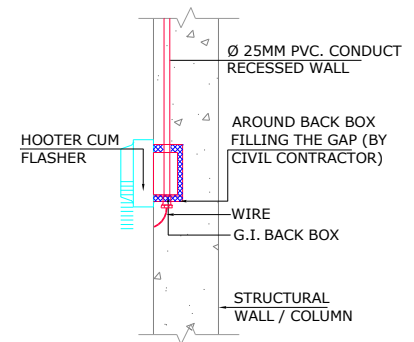
TYPICAL FIXING DETAILS OF SPRINKLERS AT CEILING LEVEL



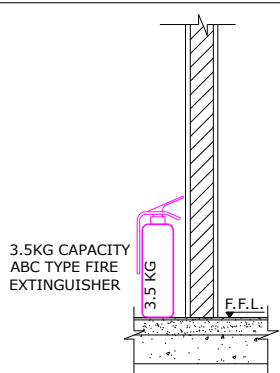
DETAIL A : TYP. INSTALLATION DETAIL MULTI SENSOR DETECTORS



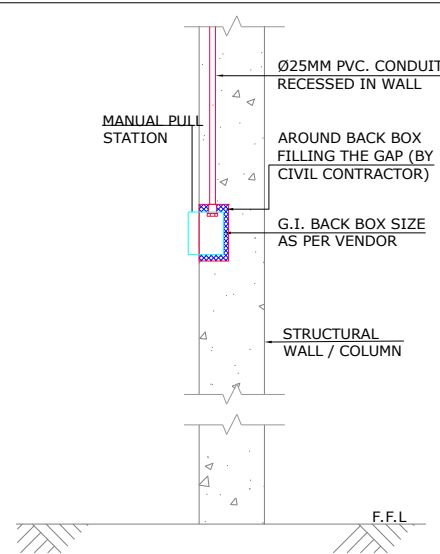
TYPICAL FIXING DETAILS OF SPRINKLERS



DETAIL B : TYP. INSTALLATION DETAIL HOOTER CUM FLASHER



FIRE EXTINGUISHER 1 NOS EACH AT DINING
1 ABC 3.5 KG



DETAIL C : TYP. INSTALLATION DETAIL MANUAL CALL STATION

DRAWING TITLE:
TYPICAL DETAILS

FLOOR:-
-

PROJECT:
COPPER CHIMNEY

CLIENT:
-

APK Designs
MEP DESIGNS & CONSULTANTS

Home no-311, Box no-66,
CEN no-35(4), Thakur Nivas,
GEN ARUNKUMAR VADEIA Marg,
Pimatti pada, Mumbai - 400097.
Mob no:- 0916-7979-007
info.apkdesigns@gmail.com
apkdesigns@hotmail.com

ARCHITECTURE

KITCHEN CONSULTANT

Rev.	Purpose	Date
R0	Issue for approval	20.12.2023

DATE : 02.02.2024

SCALE : NTS

DRAWN BY : SAGAR

REVIEWED BY : PRAVIN

PROJECT NUMBER : 23050

SHEET : 07 OF 07