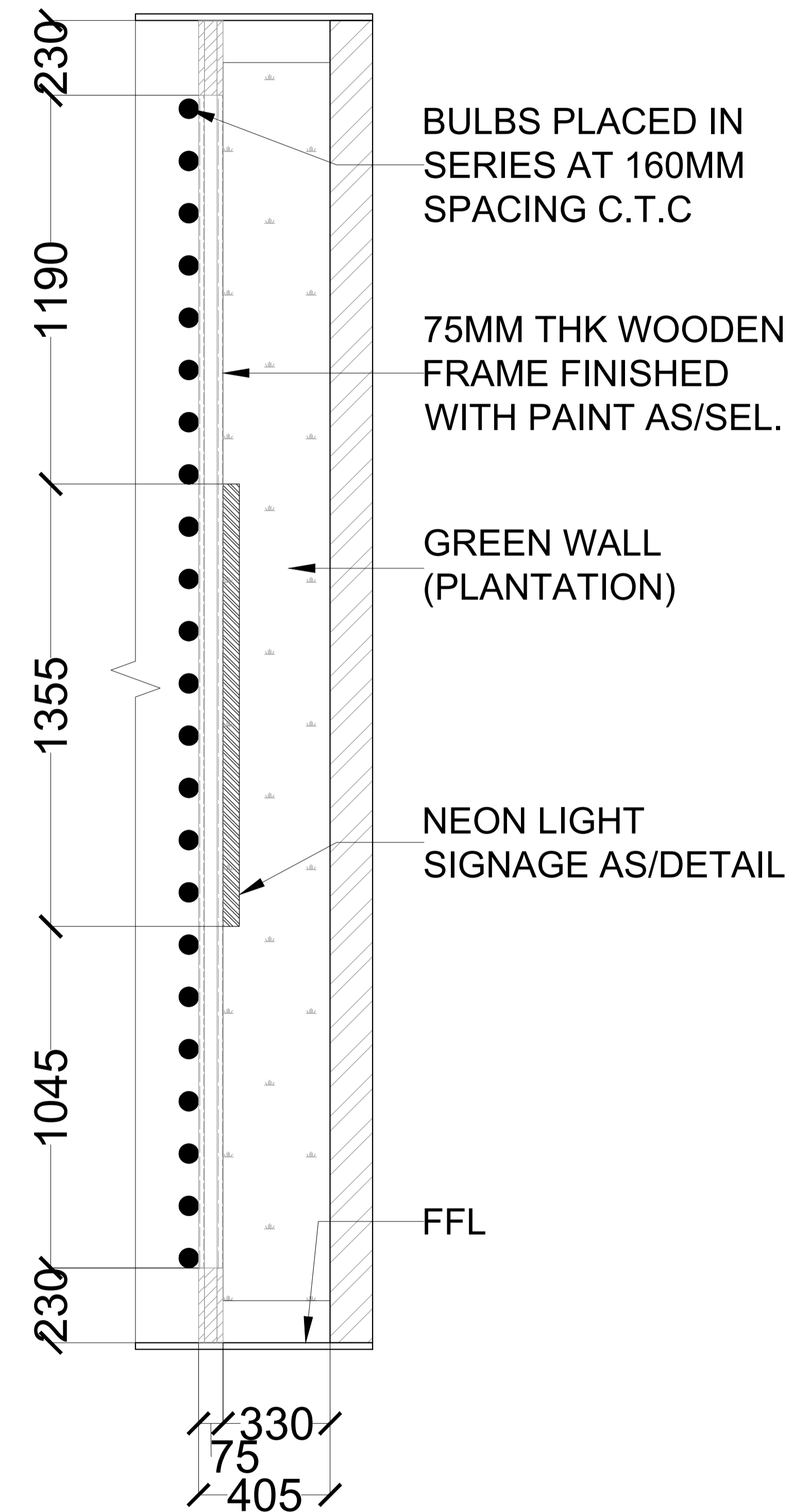


ELEVATION

STAIRCASE WALL ELEVATION



SECTION

PROJECT

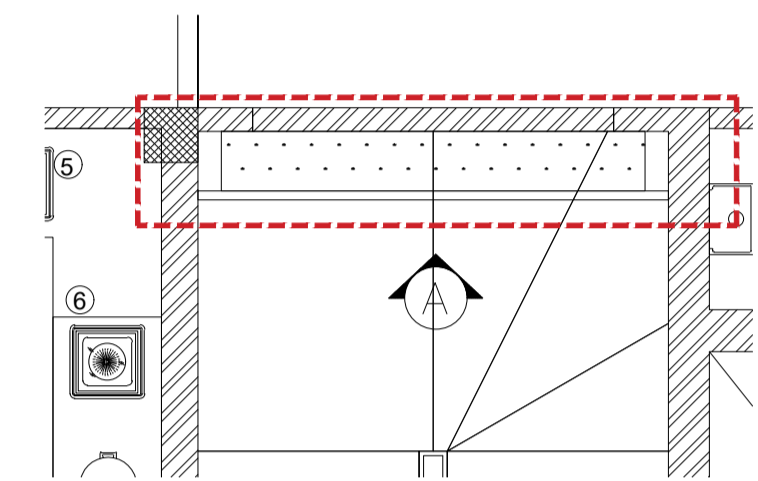
WAKNAGHAT BAR

BLOCK

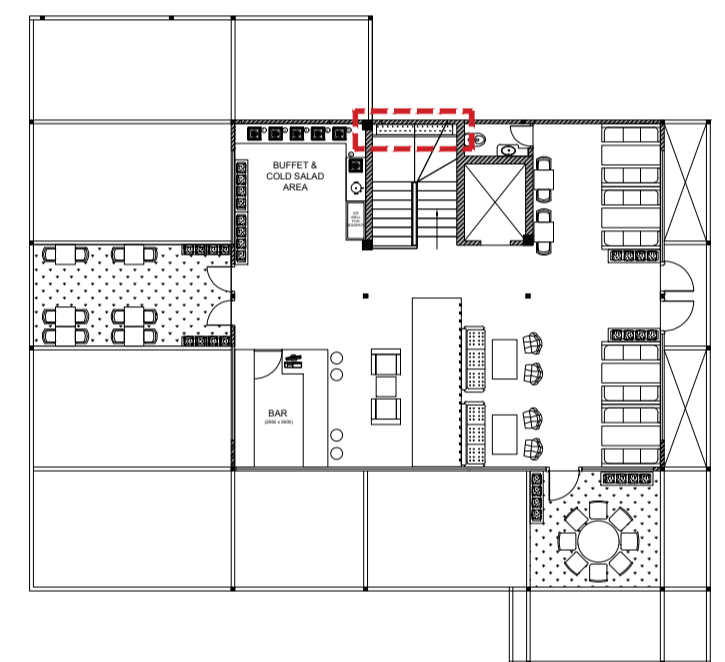
FIRST FLOOR BAR SPACE

General Notes :

1. All dimensions are in millimeters.
2. Dimensions are to be read and not to be scaled.
3. The contractors must verify all dimensions on site and refer the relevant STRUCTURAL and other MEP drawings before commencing any work or preparing shop drawings, and in case any discrepancy is noticed the same shall be brought to the notice of the architect and shall be clarified before execution of work.
4. Refer this drawing along with the other relevant architectural, structural and MEP services drawings.
5. All Sill & Lintel levels to be considered from FFL.



PART PLAN



KEY PLAN

Rev.	Date	Description	Approved
Revision Index			

CLIENT

TFS

ARCHITECTS



DRAWING TITLE

ELEV. 1- STAIRCASE WALL

<input type="checkbox"/> FOR TENDER	DATE	PROJ ARCHITECT
<input type="checkbox"/> FOR INFORMATION	22-11-2023	DRAWN
<input checked="" type="checkbox"/> FOR EXECUTION	SCALE	JANVI
<input type="checkbox"/> FOR APPROVAL	NTS	CHECKED
		MANEJ

DRAWING NO

PL/TFS/WK/DD/ELEV.-01

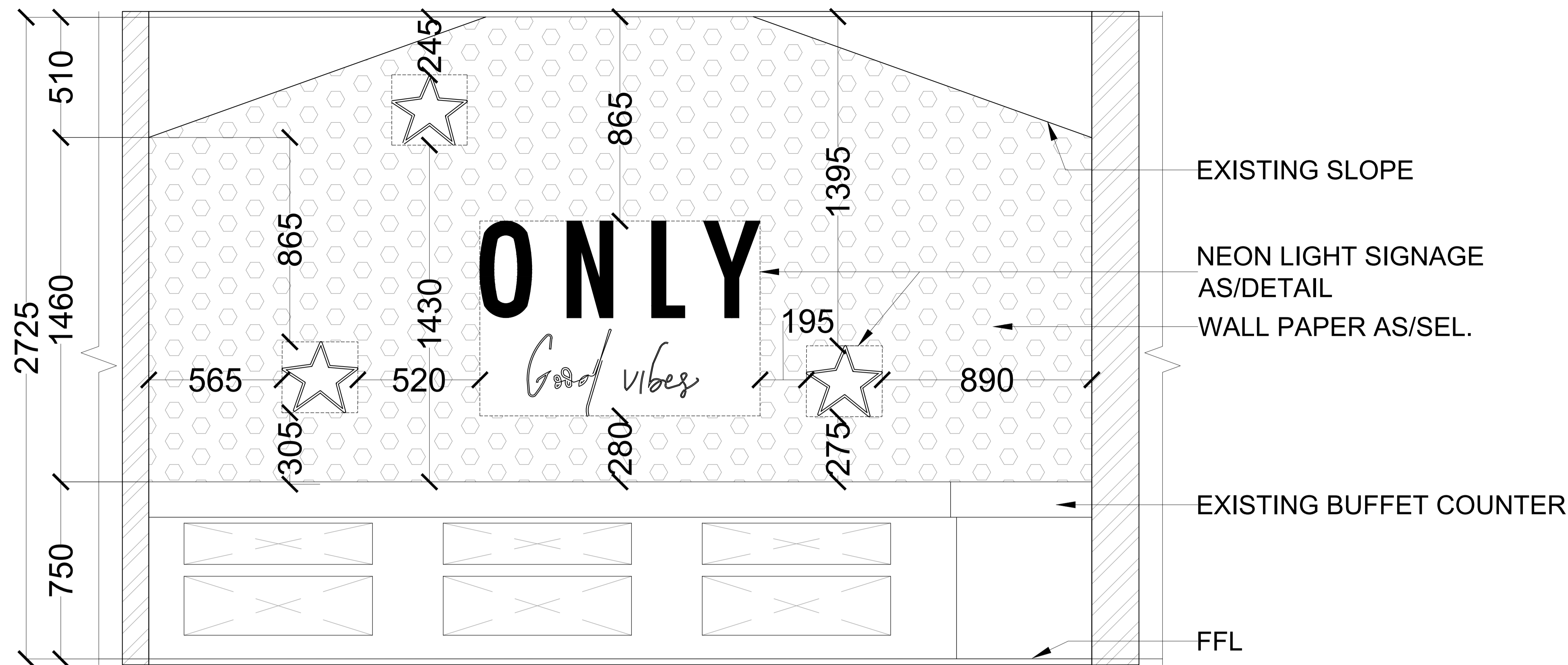
REVISION

R0

PLUGD
C-78, Sector 88, Noida-201305

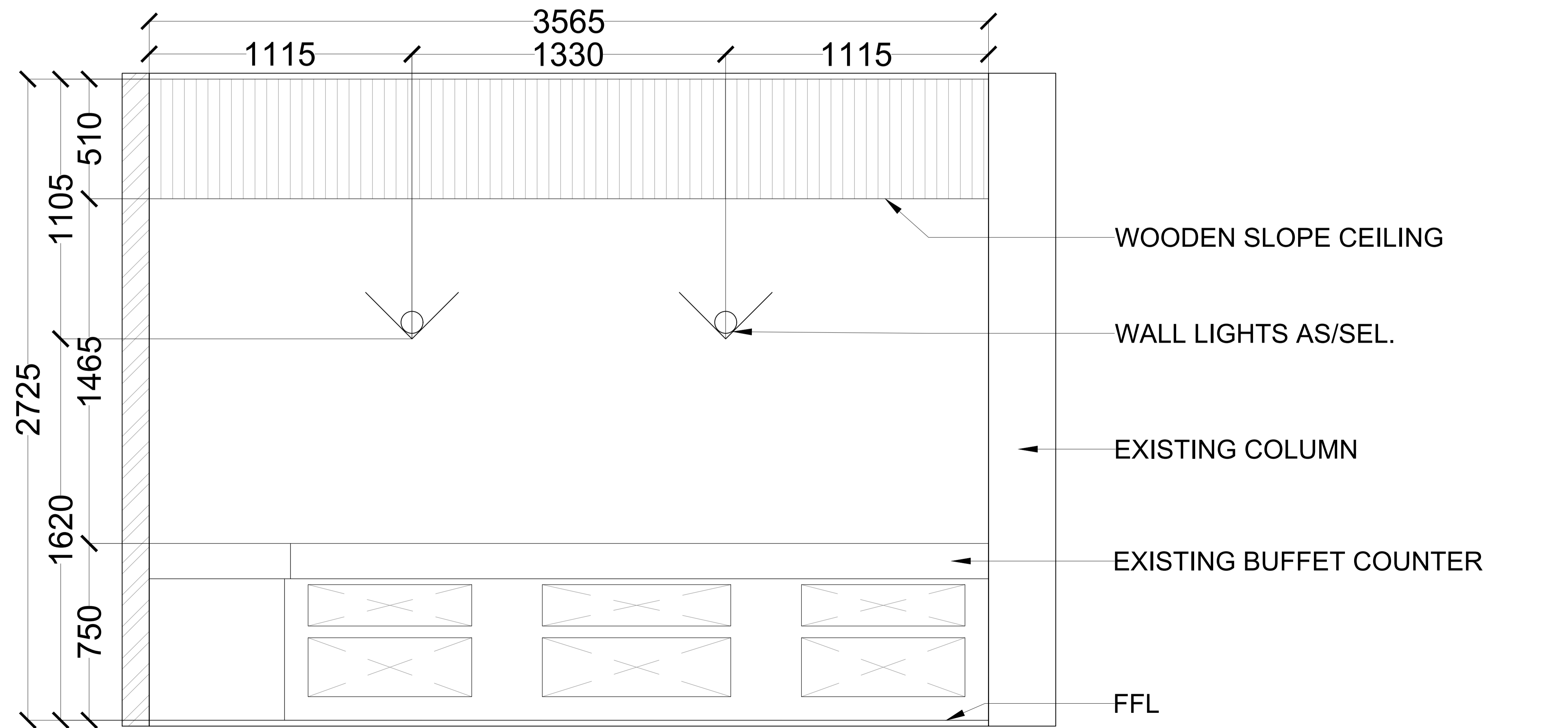
The contents of this drawing constitute the original and unpublished work of PLUGD and no part of the drawing shall be disclosed / modified / used in any manner without their prior consent.

ELEVATION 'A'



EXISTING SLOPE
 NEON LIGHT SIGNAGE AS/DETAIL
 WALL PAPER AS/SEL.
 EXISTING BUFFET COUNTER
 FFL

ELEVATION 'B'



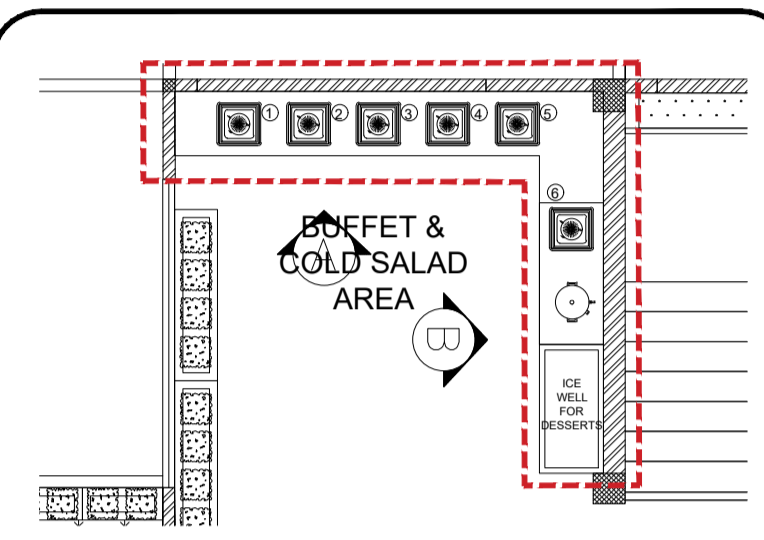
WOODEN SLOPE CEILING
 WALL LIGHTS AS/SEL.
 EXISTING COLUMN
 EXISTING BUFFET COUNTER
 FFL

BUFFET AREA ELEVATION

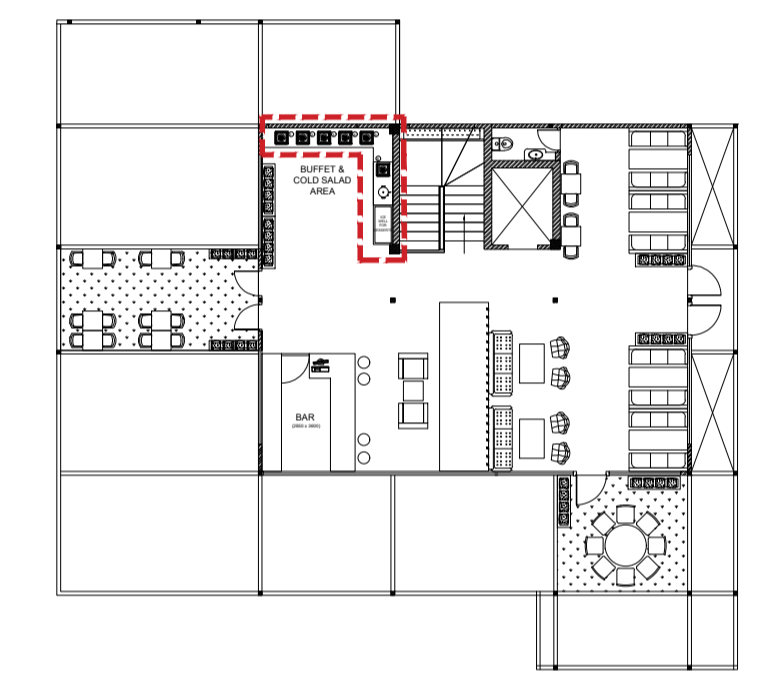
PROJECT
WAKNAGHAT BAR

BLOCK
FIRST FLOOR BAR SPACE

General Notes :
 1. All dimensions are in millimeters.
 2. Dimensions are to be read and not to be scaled.
 3. The contractors must verify all dimensions on site and refer the relevant STRUCTURAL and other MEP drawings before commencing any work or preparing shop drawings, and in case any discrepancy is noticed the same shall be brought to the notice of the architect and shall be clarified before execution of work.
 4. Refer this drawing along with the other relevant architectural, structural and MEP services drawings.
 5. All Sill & Lintel levels to be considered from FFL.



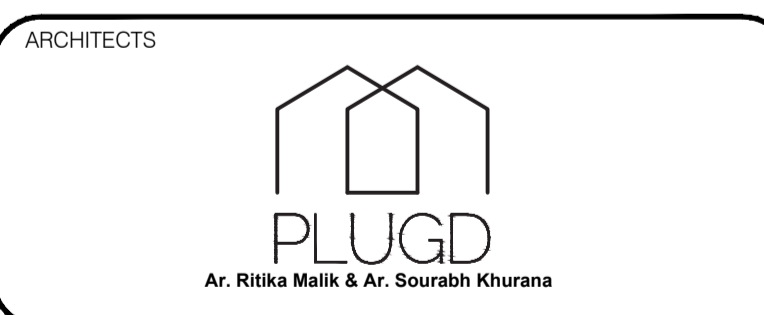
PART PLAN



KEY PLAN

Rev.	Date	Description	Approved
Revision Index			

CLIENT
TFS



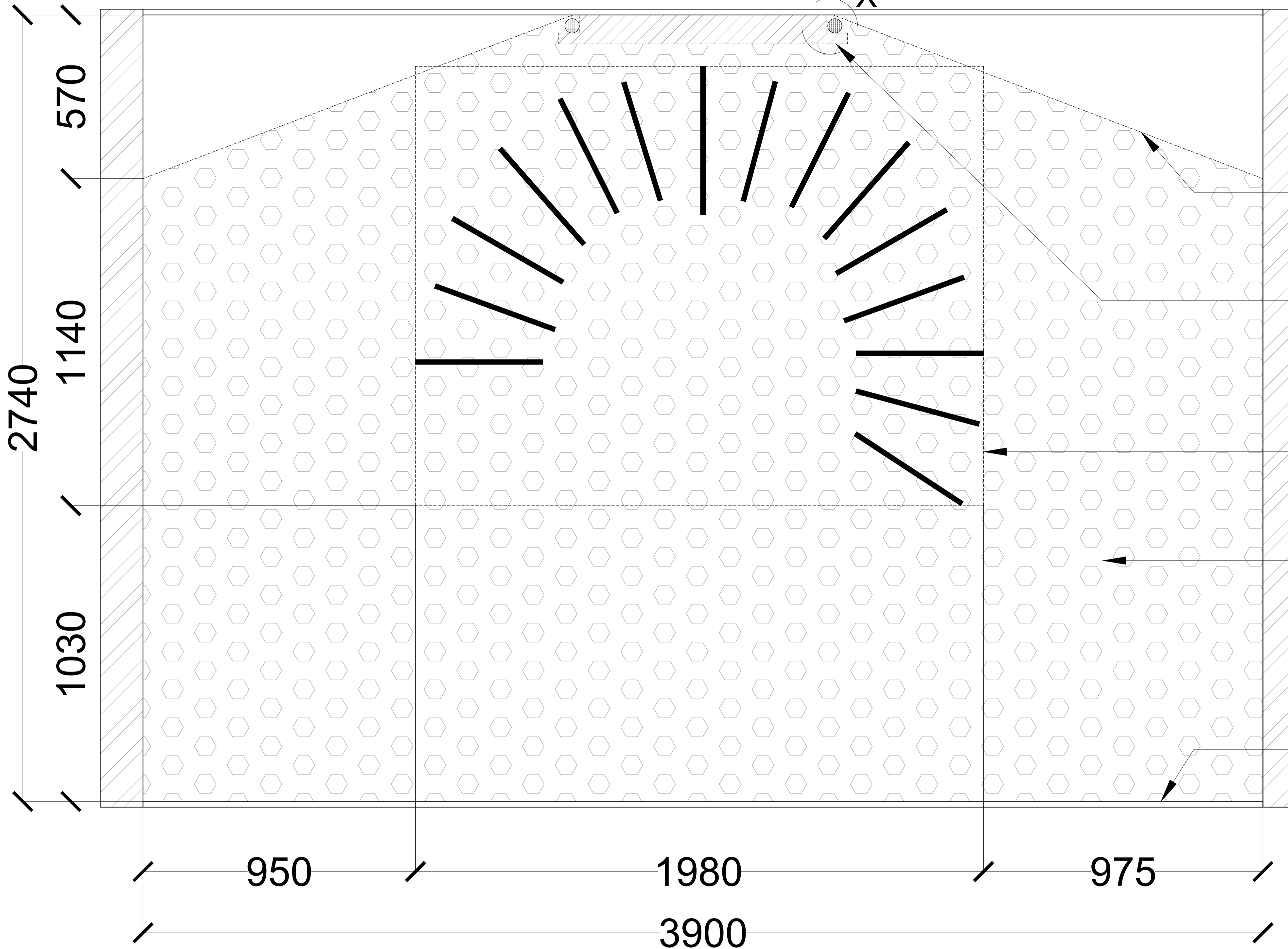
DRAWING TITLE
ELEV. 2 - BUFFET AREA

<input type="checkbox"/> FOR TENDER	DATE	PROJ ARCHITECT
<input type="checkbox"/> FOR INFORMATION	22-11-2023	DRAWN
<input checked="" type="checkbox"/> FOR EXECUTION	SCALE	JANVI
<input type="checkbox"/> FOR APPROVAL	NTS	CHECKED
		MANEJ

DRAWING NO
PL/TFS/WK/DD/ELEV.-02

REVISION
R0

PLUGD
 C-78, Sector 88, Noida-201305
 The contents of this drawing constitute the original and unpublished work of PLUGD and no part of the drawing shall be disclosed / modified / used in any manner without their prior consent.



ELEVATION

SEATING AREA ELEVATION

EXISTING SLOPE

100MM THK
EXTERNAL CEILING
DROP AS/DETAIL 'X'

NEON LIGHT
SIGNAGE AS/DETAIL

WALLPAPER AS/SEL.

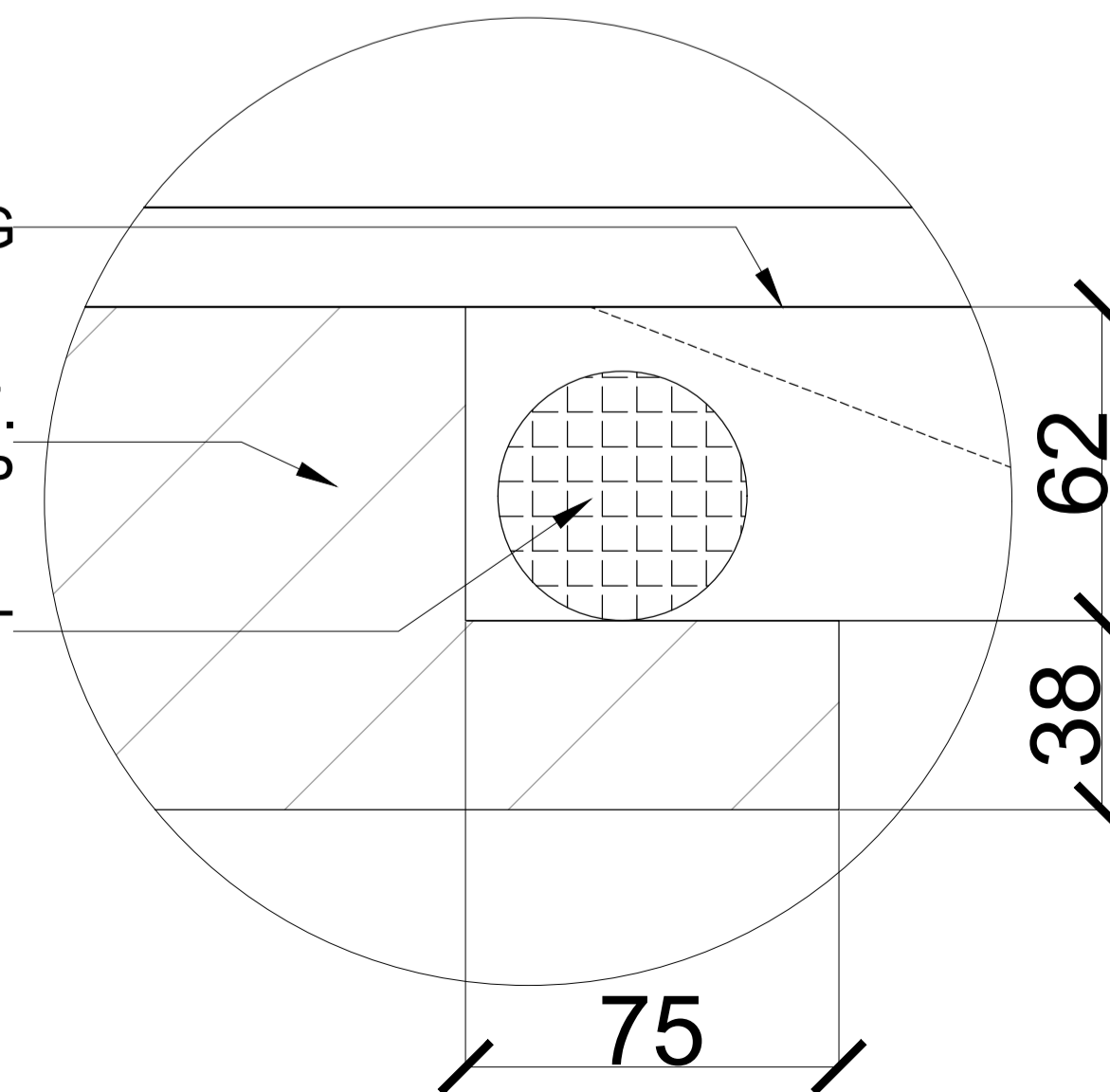
FFL

ACTUAL CEILING

100MM THK EXT.
CEILING DROP

COVE LIGHT

DETAIL 'X'



PROJECT

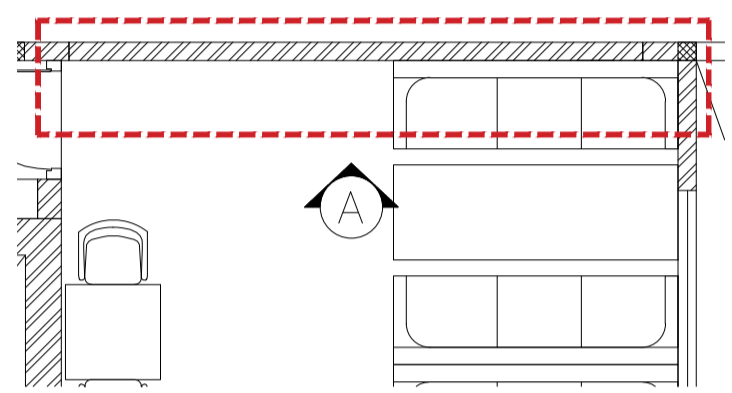
WAKNAGHAT BAR

BLOCK

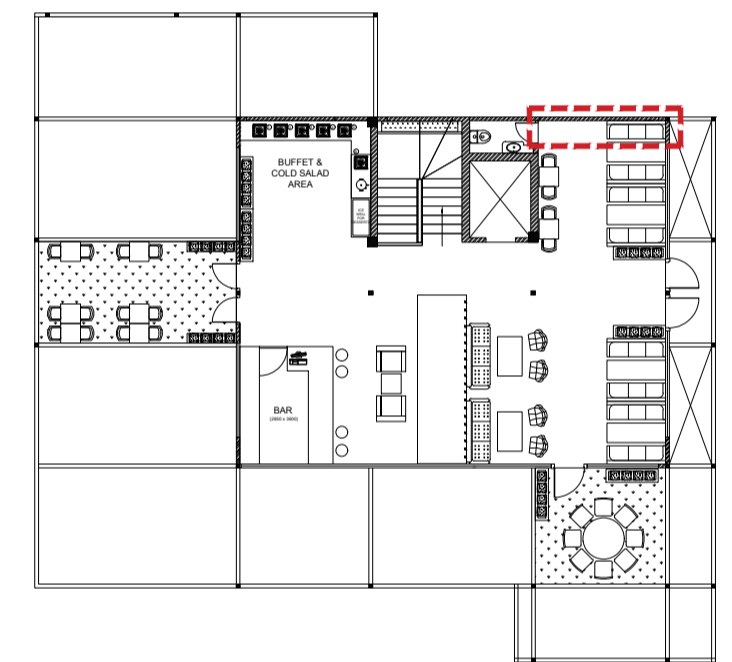
FIRST FLOOR BAR SPACE

General Notes :

1. All dimensions are in millimeters.
2. Dimensions are to be read and not to be scaled.
3. The contractors must verify all dimensions on site and refer the relevant STRUCTURAL and other MEP drawings before commencing any work or preparing shop drawings, and in case any discrepancy is noticed the same shall be brought to the notice of the architect and shall be clarified before execution of work.
4. Refer this drawing along with the other relevant architectural, structural and MEP services drawings.
5. All Sill & Lintel levels to be considered from FFL.



PART PLAN



KEY PLAN

Rev.	Date	Description	Approved
Revision Index			

CLIENT

TFS

ARCHITECTS



DRAWING TITLE

ELEV. 3- SEATING AREA WALL

<input type="checkbox"/> FOR TENDER	DATE	PROJ ARCHITECT
<input type="checkbox"/> FOR INFORMATION	22-11-2023	DRAWN
<input checked="" type="checkbox"/> FOR EXECUTION	SCALE	JANVI
<input type="checkbox"/> FOR APPROVAL	NTS	CHECKED
		MANISH

DRAWING NO

PL/TFS/WK/DD/ELEV.-03

REVISION

R0

PLUGD
C-78, Sector 88, Noida-201305
The contents of this drawing constitute the original and unpublished work of PLUGD and no part of the drawing shall be disclosed / modified / used in any manner without their prior consent.