

NOTES:  
 1) DO NOT SCALE THE DRAWINGS FOLLOW THE WRITTEN DIMENSIONS.  
 2) ALL THE DIMENSIONS SHOWN ARE IN ENGLISH UNITS.  
 3) ALL THE MATERIALS FOR CONSTRUCTION SHALL BE TO IS STANDARDS AND AS PER THE SPECIFICATIONS BY THE ARCHITECT.  
 4) ANY AMBIGUITY FOUND IN THE DRAWING SHALL BE IMMEDIATELY BROUGHT TO THE NOTICE OF AN ARCHITECT.

LEGEND:

REVISIONS		
NO.	DESCRIPTION	DATE

SIGN/STAMP

AIRPORT NAME  
TRIVANDRUM AIRPORT

UNIT NO  
-

LOCATION  
-

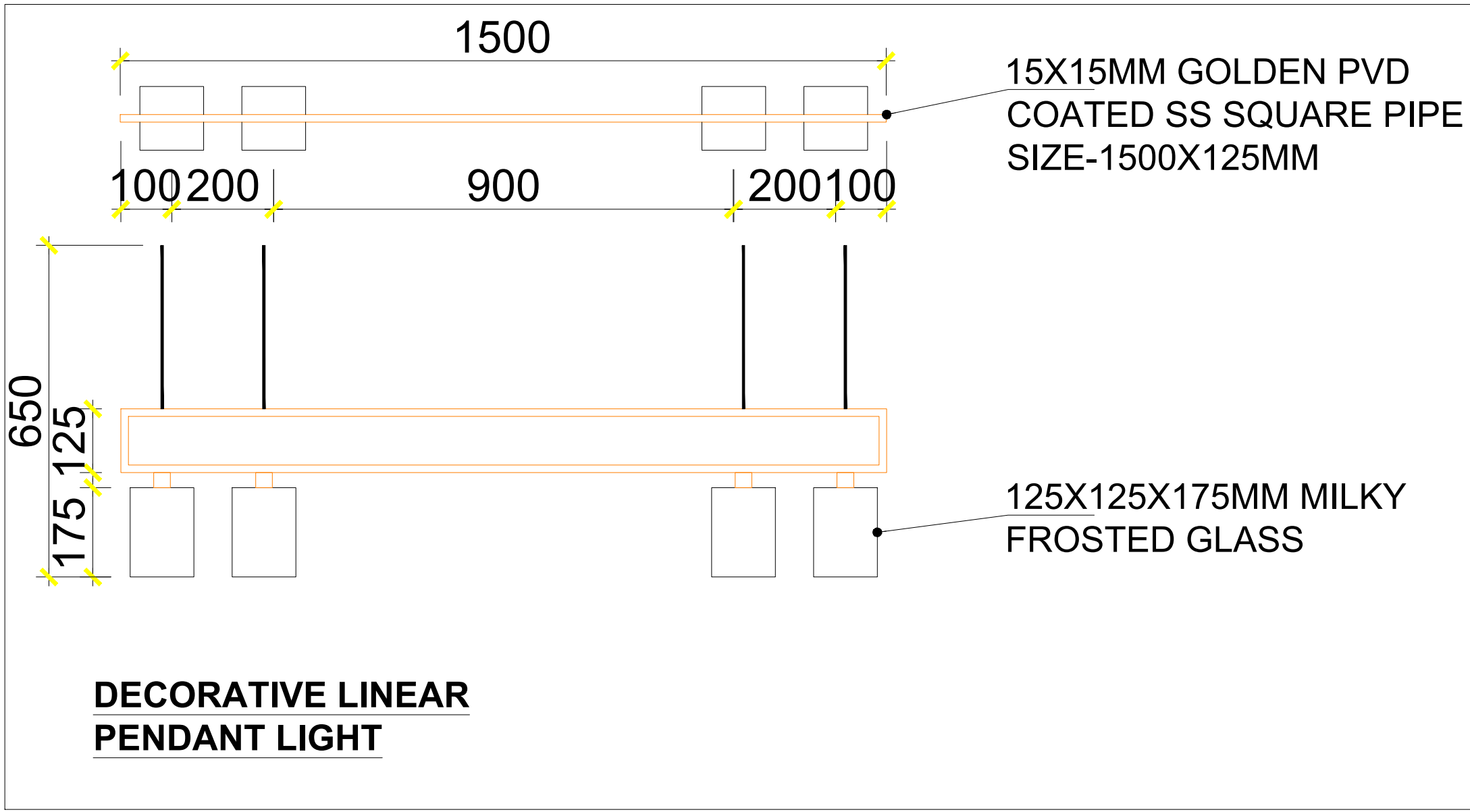
BRAND NAME / PROJECT NAME  
INTERNATIONAL LOUNGE

DRAWING TYPE  
GFC

TITLE :  
DECORATIVE LIGHTING DETAIL-02

DRN BY	GS	SCALE	1:10
CHKD BY		REV	
DATE	2024-09-03		
DWG NO: TFS_TRV_ISHA_LNG_A-104 C			
ARCHITECT: Genesis Architects Pvt. Ltd.			

SHIV SAGAR ESTATE  
 A - BLOCK, 1ST FLOOR  
 ANNIE BESANT ROAD,  
 WORLI, MUMBAI 400018.  
 PH: +91 (22) 4322 4322

NOTE:-  
 1. DECORATIVE LIGHT DRAWINGS ARE INDICATED. VENDORS NEED TO PROVIDE SHOP DRAWINGS FOR APPROVAL.  
 2. LIGHT FIXTURES HEIGHT NEEDS TO BE CROSS-CHECKED AT SITE

R0