

LEGEND

	EXISTING FULL HT. WALL
	150MM THK. WALL FULL HEIGHT (SECONDARY WALL)
	150MM THK. PARTITION UPTO 2100MM(7'HT)
	150MM THK. PARTITION WALL UPTO 850MM
	WINDOW

REVISIONS

NO.	DATE.	
R0		

SIGN STAMP

--	--

CLIENT

TFS

PROJECT

BIRYANI'S OF INDIA, DELHI AIRPORT

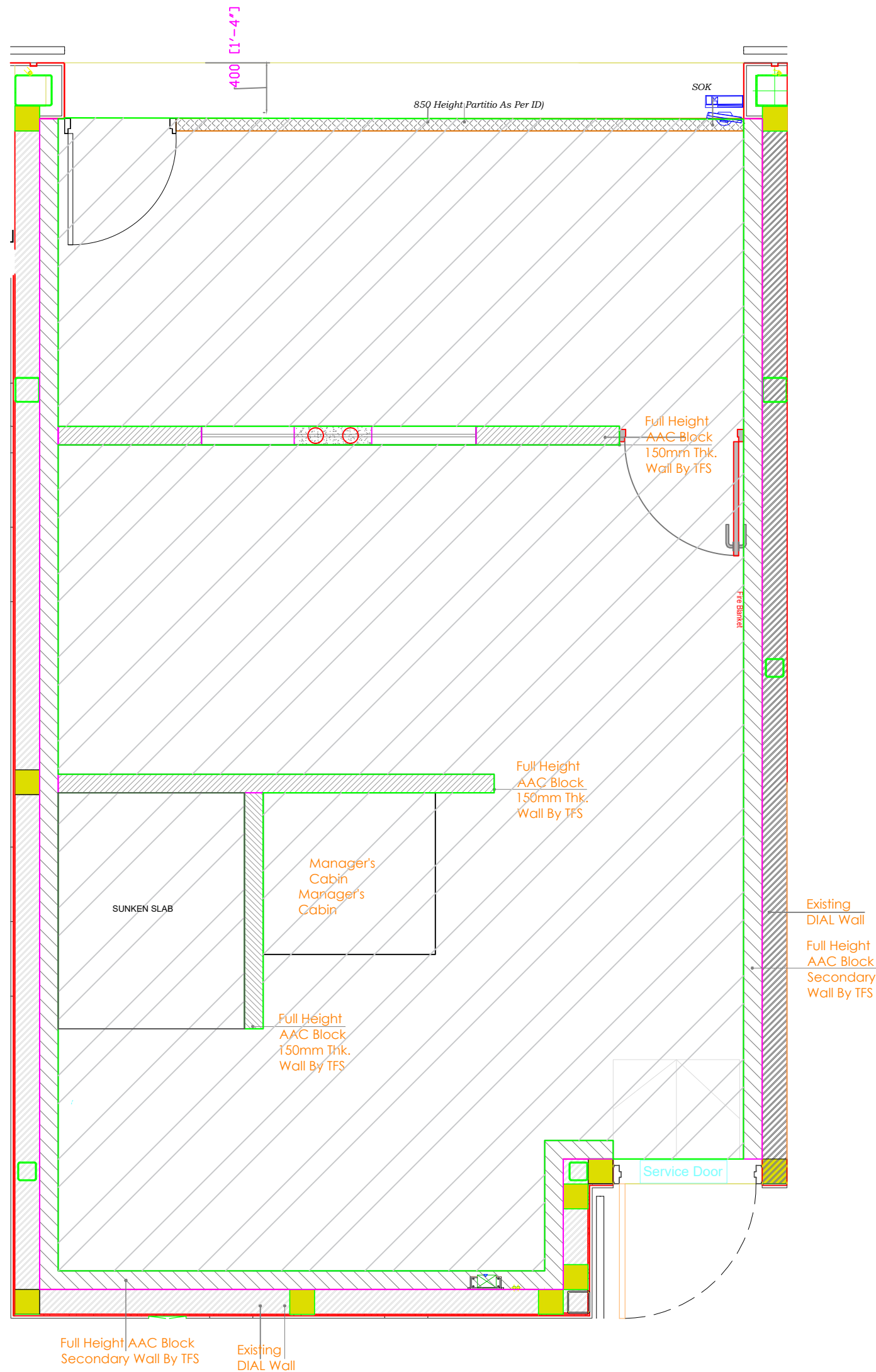
- NOTES :
- ALL DRAWING IS IN MM
  - THIS DRAWING IS A RIGHT & PROPERTY OF ARCHITECT NOT TO BE PRODUCED, COPIED, HANDED OVER TO THIRD PARTY OR USED FOR ANY OTHER PURPOSE OTHER THAN FOR WHICH IT IS INTENDED AND REMAIN OUR SOLE PROPERTY.
  - ONLY WRITTEN DIMENSIONS TO BE FOLLOWED.
  - THE CONTRACTOR MUST CHECK ALL DIMENSIONS & DETAILS & BE RESPONSIBLE FOR THE SAME. ANY DISCREPANCY SHALL BE BROUGHT TO THE NOTICE OF THE ARCHITECT
  - THIS DRAWING SHOULD BE READ IN CONJUNCTION WITH RELEVANT WORKING & DETAILED DRAWINGS.
  - ALL DIMENSIONS SHALL BE VERIFIED ON SITE PRIOR TO START OF WORK



1st flr dwarka, 57 tagore road, santacruz west, mumbai 400 054  
Tel : 26482236 / 26482237

SCALE	NTS
DRN. BY	ASHYER
DATE	28/11/2024
JOB/DRG. NO	DEL-T2-BOI-01

CIVIL LAYOUT



**LEGEND**

	WATER-PROOFING ON SLAB & WALLS UPTO 1200MM
225 SQ.FT	FOH W/P AREA
450 SQ.FT	KITCHEN W/P AREA

**REVISIONS**

NO.	DATE.	
R0		

SIGN                      STAMP

--	--

CLIENT

**TFS**

PROJECT

**BIRYANI'S OF INDIA,  
DELHI AIRPORT**

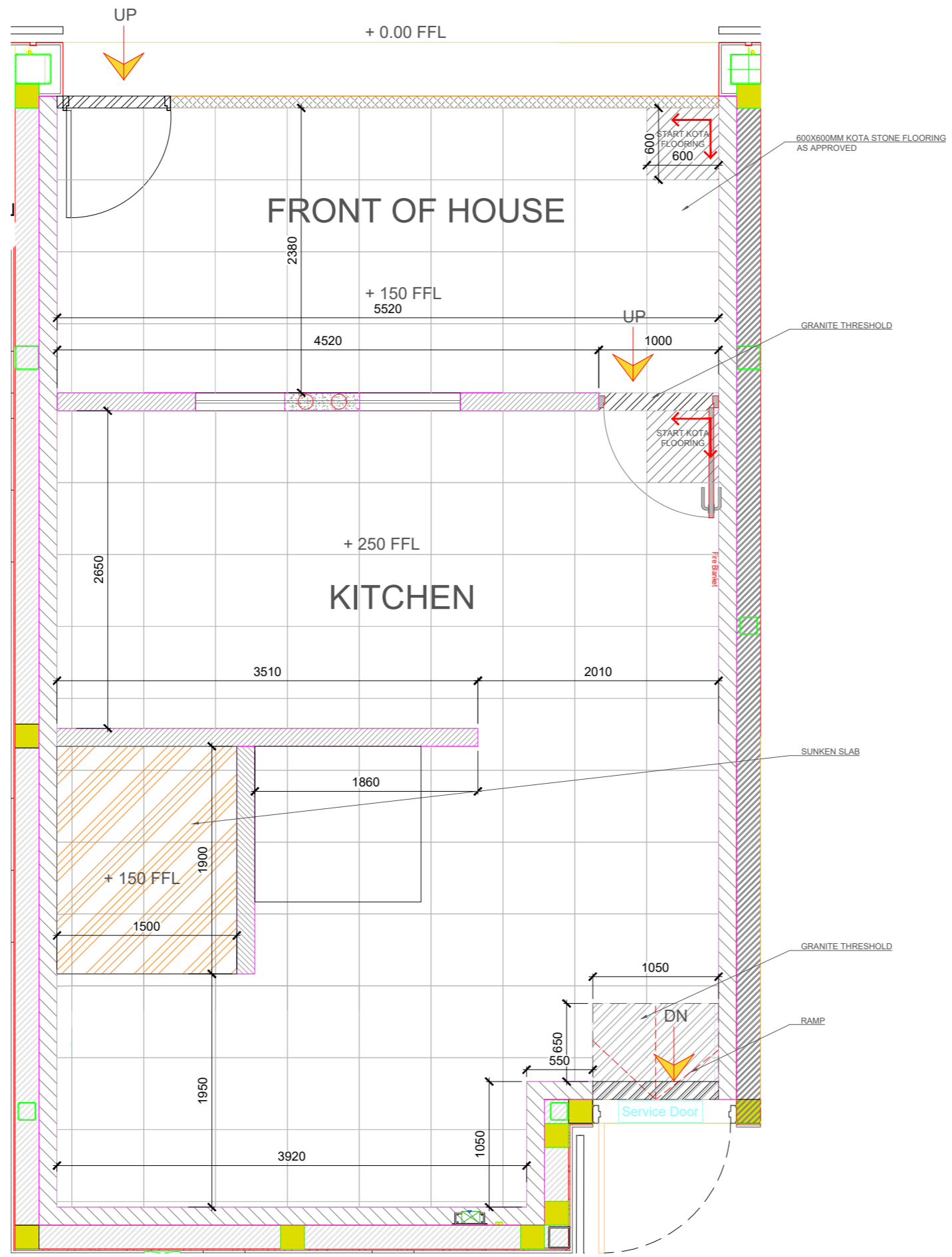
- NOTES :
- ALL DRAWING IS IN MM
  - THIS DRAWING IS A RIGHT & PROPERTY OF ARCHITECT NOT TO BE PRODUCED, COPIED, HANDED OVER TO THIRD PARTY OR USED FOR ANY OTHER PURPOSE OTHER THAN FOR WHICH IT IS INTENDED AND REMAIN OUR SOLE PROPERTY.
  - ONLY WRITTEN DIMENSIONS TO BE FOLLOWED.
  - THE CONTRACTOR MUST CHECK ALL DIMENSIONS & DETAILS & BE RESPONSIBLE FOR THE SAME. ANY DISCREPANCY SHALL BE BROUGHT TO THE NOTICE OF THE ARCHITECT
  - THIS DRAWING SHOULD BE READ IN CONJUNCTION WITH RELEVANT WORKING & DETAILED DRAWINGS.
  - ALL DIMENSIONS SHALL BE VERIFIED ON SITE PRIOR TO START OF WORK



1st flr dwarka, 57 tagore road, santacruz west, mumbai 400 054  
Tel : 26482236 / 26482237

SCALE	NTS
DRN. BY	ASHYER
DATE	28/11/2024
JOB/DRG. NO	DEL-T2-BOI-02

**WATERPROOFING LAYOUT**



**LEGEND**

	600X600MM KOTA STONE FLOORING
	SUNKEN SLAB
	GRANITE THRESHOLD

**REVISIONS**

NO.	DATE.	
R0		

SIGN	STAMP

FLOORING LAYOUT

CLIENT

TFS

PROJECT

**BIRYANI'S OF INDIA,  
DELHI AIRPORT**

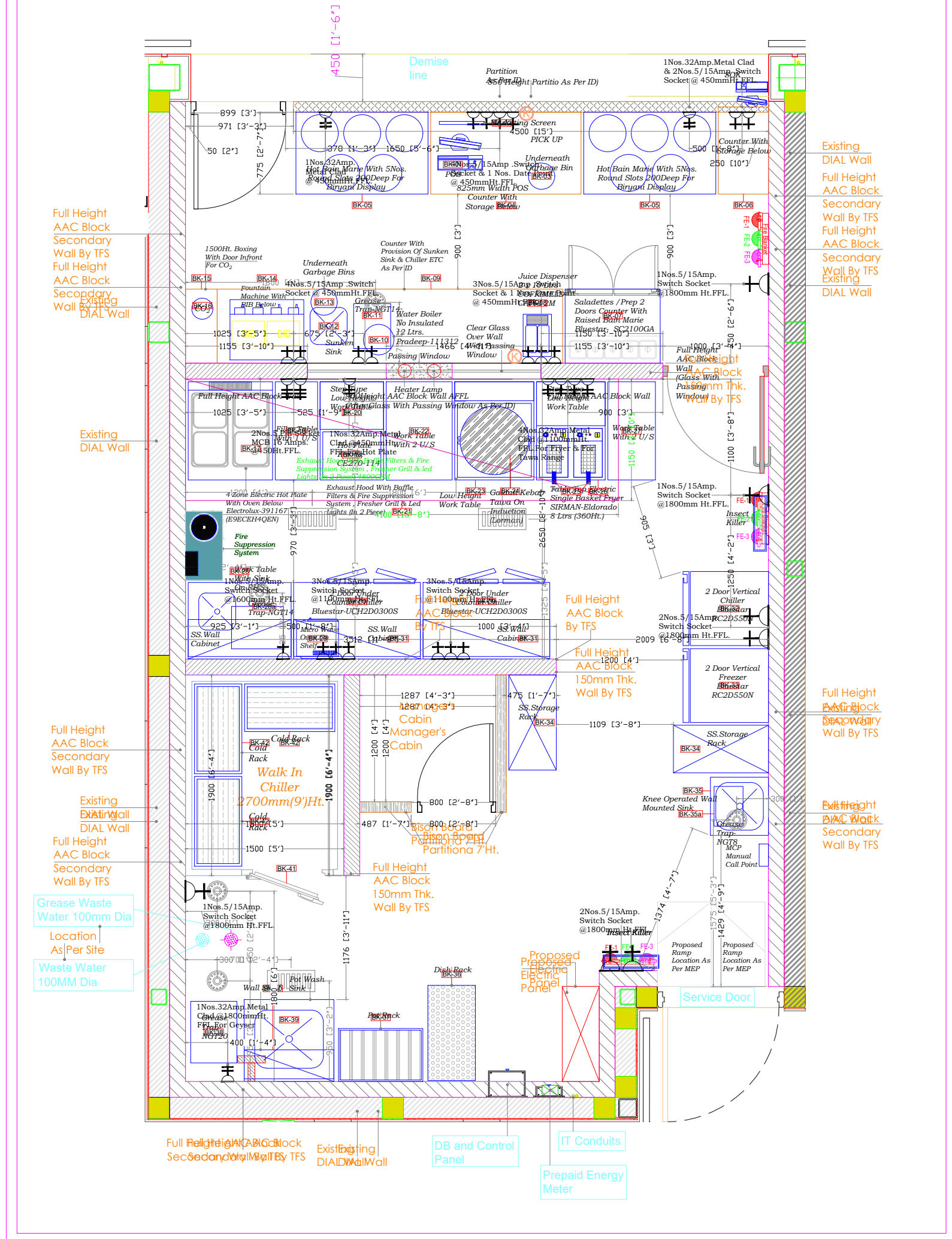
- NOTES :
- ALL DRAWING IS IN MM
  - THIS DRAWING IS A RIGHT & PROPERTY OF ARCHITECT NOT TO BE PRODUCED, COPIED, HANDED OVER TO THIRD PARTY OR USED FOR ANY OTHER PURPOSE OTHER THAN FOR WHICH IT IS INTENDED AND REMAIN OUR SOLE PROPERTY.
  - ONLY WRITTEN DIMENSIONS TO BE FOLLOWED.
  - THE CONTRACTOR MUST CHECK ALL DIMENSIONS & DETAILS & BE RESPONSIBLE FOR THE SAME. ANY DISCREPANCY SHALL BE BROUGHT TO THE NOTICE OF THE ARCHITECT
  - THIS DRAWING SHOULD BE READ IN CONJUNCTION WITH RELEVANT
  - WORKING & DETAILED DRAWINGS.
  - ALL DIMENSIONS SHALL BE VERIFIED ON SITE PRIOR TO START OF WORK



1st flr dwarka, 57 tagore road, santacruz west, mumbai 400 054  
Tel : 26482236 / 26482237

SCALE	NTS
DRN. BY	ASHYER
DATE	28/11/2024
JOB/DRG. NO	DEL-T2-BOI-03

# Approved Biryani Concept Kitchen Layout @ Delhi-T1 FC-101024



## LEGEND

## REVISIONS

NO.	DATE.
R0	

SIGN STAMP

CLIENT

TFS

PROJECT

**BIRYANI'S OF INDIA,  
DELHI AIRPORT**

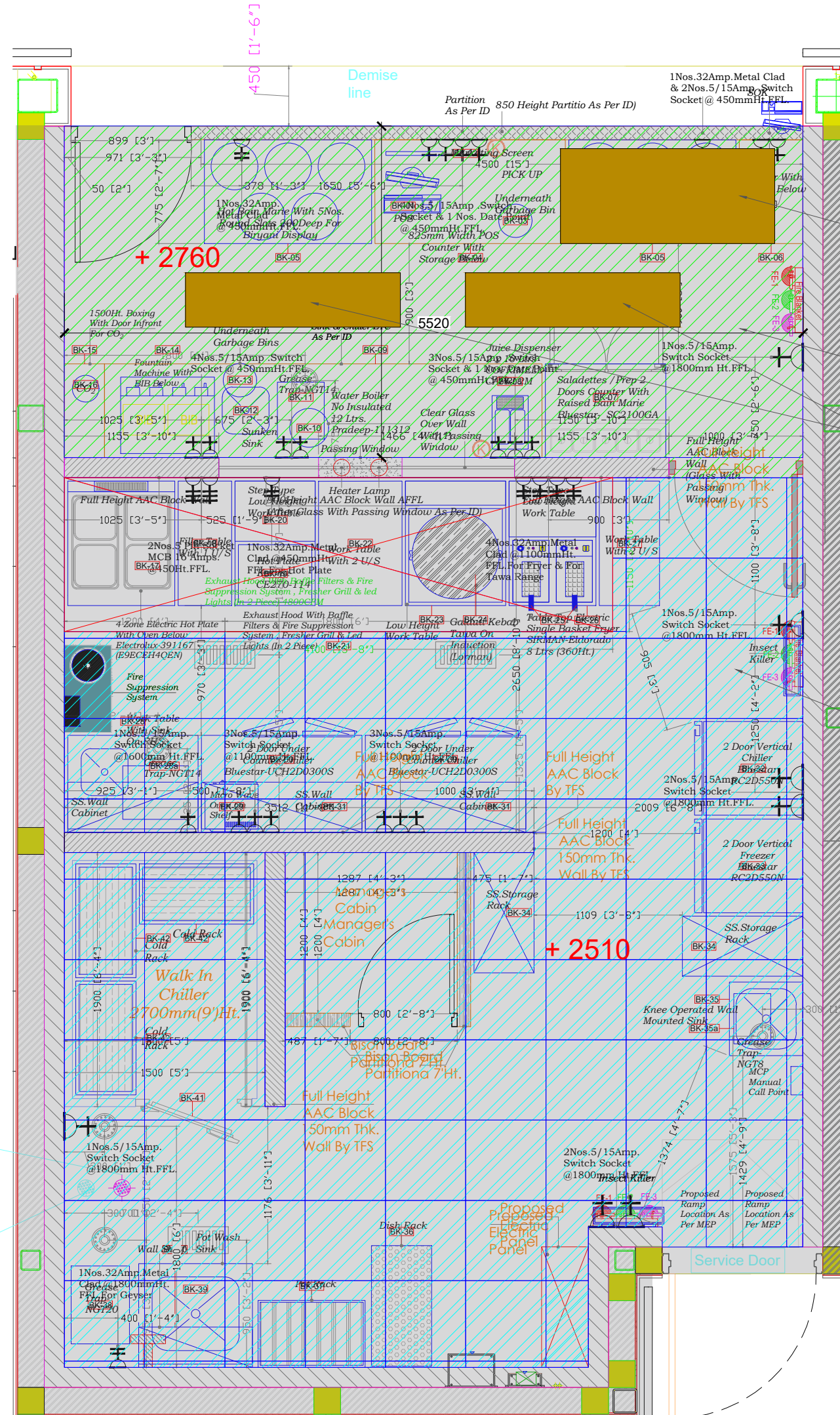
- NOTES :
- ALL DRAWING IS IN MM
  - THIS DRAWING IS A RIGHT & PROPERTY OF ARCHITECT NOT TO BE PRODUCED, COPIED, HANDED OVER TO THIRD PARTY OR USED FOR ANY OTHER PURPOSE OTHER THAN FOR WHICH IT IS INTENDED AND REMAIN OUR SOLE PROPERTY.
  - ONLY WRITTEN DIMENSIONS TO BE FOLLOWED.
  - THE CONTRACTOR MUST CHECK ALL DIMENSIONS & DETAILS & BE RESPONSIBLE FOR THE SAME. ANY DISCREPANCY SHALL BE BROUGHT TO THE NOTICE OF THE ARCHITECT
  - THIS DRAWING SHOULD BE READ IN CONJUNCTION WITH RELEVANT WORKING & DETAILED DRAWINGS.
  - ALL DIMENSIONS SHALL BE VERIFIED ON SITE PRIOR TO START OF WORK



1st flr dwarka, 57 tagore road, santacruz west, mumbai 400 054  
Tel : 26482236 / 26482237

SCALE	NTS
DRN. BY	ASHYER
DATE	28/11/2024
JOB/DRG. NO	DEL-T2-BOI-04

FURNITURE LAYOUT



LEGEND

	GYPSUM CEILING FINISH WITH PAINT
	600X600MM METAL GRID CEILING

REVISIONS

NO.	DATE.	
R0		

SIGN      STAMP

CLIENT

TFS

PROJECT

**BIRYANI'S OF INDIA,  
DELHI AIRPORT**

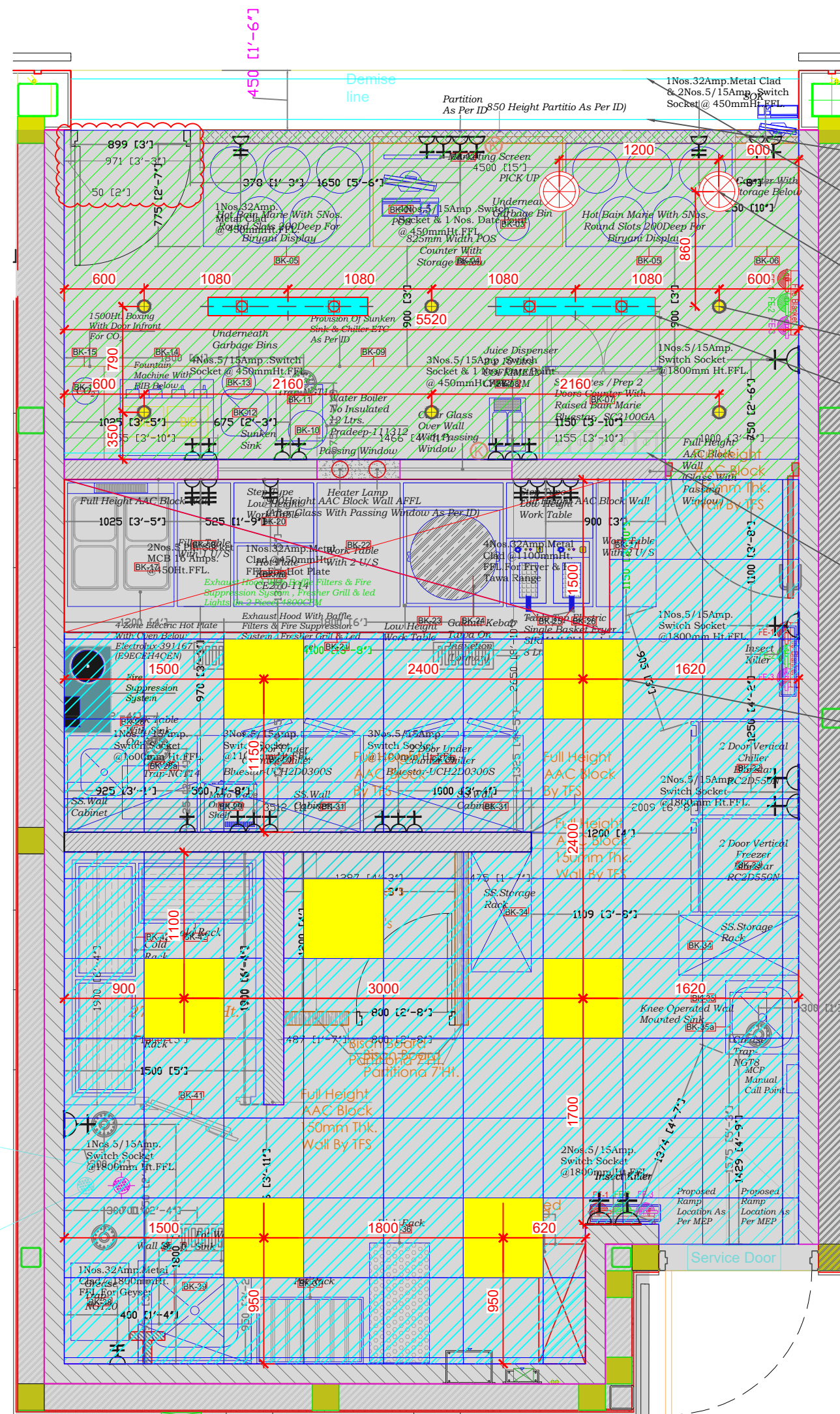
- NOTES :
- ALL DRAWING IS IN MM
  - THIS DRAWING IS A RIGHT & PROPERTY OF ARCHITECT NOT TO BE PRODUCED, COPIED, HANDED OVER TO THIRD PARTY OR USED FOR ANY OTHER PURPOSE OTHER THAN FOR WHICH IT IS INTENDED AND REMAIN OUR SOLE PROPERTY.
  - ONLY WRITTEN DIMENSIONS TO BE FOLLOWED.
  - THE CONTRACTOR MUST CHECK ALL DIMENSIONS & DETAILS & BE RESPONSIBLE FOR THE SAME. ANY DISCREPANCY SHALL BE BROUGHT TO THE NOTICE OF THE ARCHITECT
  - THIS DRAWING SHOULD BE READ IN CONJUNCTION WITH RELEVANT WORKING & DETAILED DRAWINGS.
  - ALL DIMENSIONS SHALL BE VERIFIED ON SITE PRIOR TO START OF WORK



1st flr dwarka, 57 tagore road, santacruz west, mumbai 400 054  
Tel : 26482236 / 26482237

SCALE	NTS
DRN. BY	ASHYER
DATE	28/11/2024
JOB/DRG. NO	DEL-T2-BOI-05

FALSE CEILING



- LED GROOVE STRIP LIGHT AT COUNTER LVL.
- LED GROOVE STRIP LIGHT AT SINAGE LVL.
- DIA.300MM PENDANT LIGHT
- CEILING SUSPENDED LIGHT
- TRACK LIGHT
- LED GROOVE STRIP LIGHT AT COUNTER BACK SHELF
- 600X600MM PANEL LIGHT FIXTURE

LEGEND

	L-01	CEILING SUSPENDED LIGHT
	L-02	2X2 LIGHT FIXTURE
	L-03	TRACK LIGHT
	L-04	PENDANT LIGHT
	L-05	STRIP LIGHT

REVISIONS

NO.	DATE.	
R0		

SIGN STAMP

CLIENT

TFS

PROJECT

**BIRYANI'S OF INDIA,  
DELHI AIRPORT**

- NOTES :
- ALL DRAWING IS IN MM
  - THIS DRAWING IS A RIGHT & PROPERTY OF ARCHITECT NOT TO BE PRODUCED, COPIED, HANDED OVER TO THIRD PARTY OR USED FOR ANY OTHER PURPOSE OTHER THAN FOR WHICH IT IS INTENDED AND REMAIN OUR SOLE PROPERTY.
  - ONLY WRITTEN DIMENSIONS TO BE FOLLOWED.
  - THE CONTRACTOR MUST CHECK ALL DIMENSIONS & DETAILS & BE RESPONSIBLE FOR THE SAME. ANY DISCREPANCY SHALL BE BROUGHT TO THE NOTICE OF THE ARCHITECT
  - THIS DRAWING SHOULD BE READ IN CONJUNCTION WITH RELEVANT WORKING & DETAILED DRAWINGS.
  - ALL DIMENSIONS SHALL BE VERIFIED ON SITE PRIOR TO START OF WORK

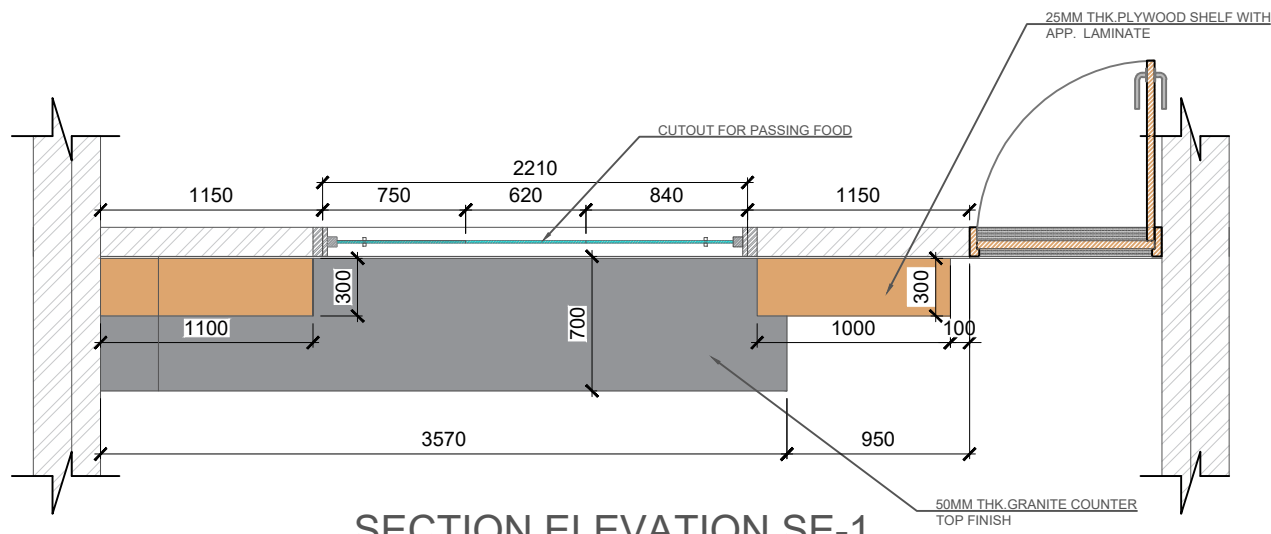


1st flr dwarka, 57 tagore road, santacruz west, mumbai 400 054  
Tel : 26482236 / 26482237

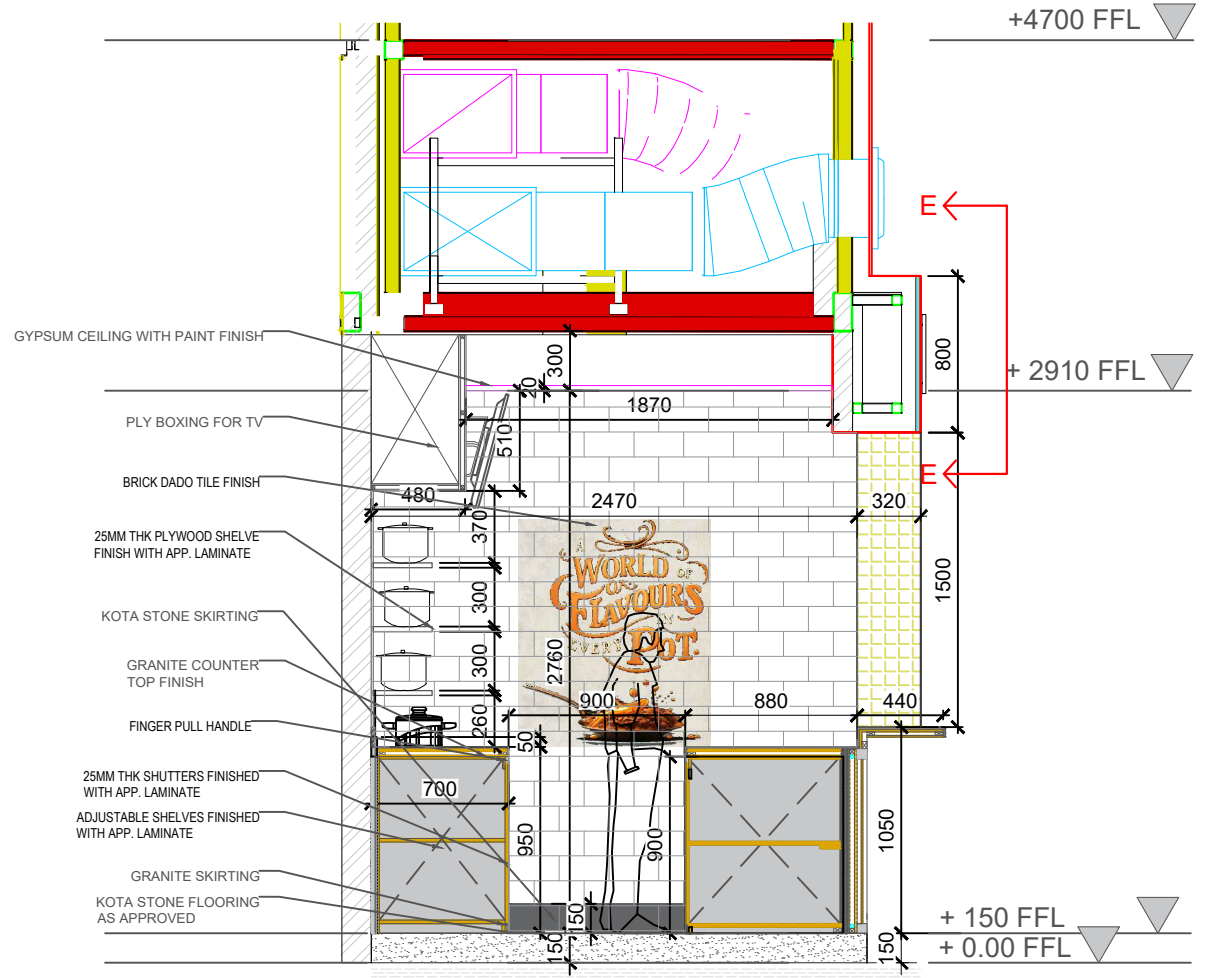
SCALE	NTS
DRN. BY	ASHYER
DATE	28/11/2024
JOB/DRG. NO	DEL-T2-BOI-06

LIGHTING LAYOUT

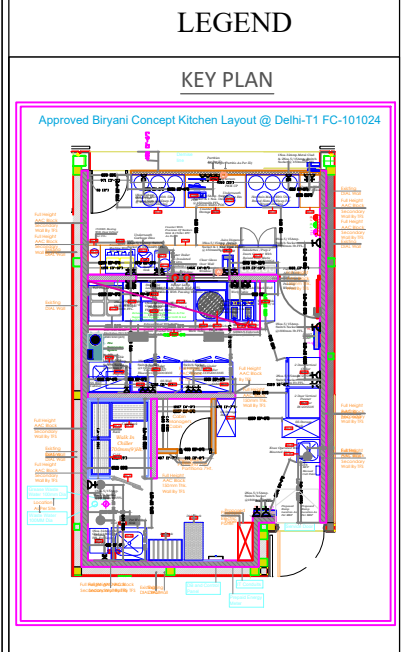




SECTION ELEVATION SE-1



SECTION ELEVATION B-B



REVISIONS

NO.	DATE.	
R0		

SIGN	STAMP

CLIENT  
**TFS**

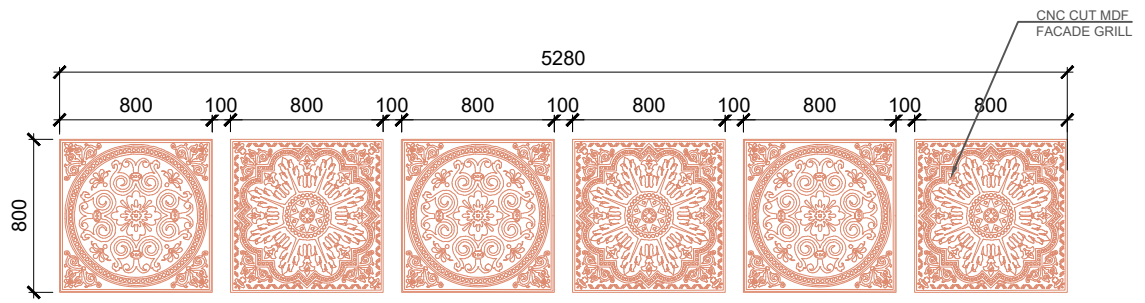
PROJECT  
**BIRYANI'S OF INDIA, DELHI AIRPORT**

NOTES:  
 • ALL DRAWING IS IN MM  
 • THIS DRAWING IS A RIGHT & PROPERTY OF ARCHITECT NOT TO BE PRODUCED, COPIED, HANDED OVER TO THIRD PARTY OR USED FOR ANY OTHER PURPOSE OTHER THAN FOR WHICH IT IS INTENDED AND REMAIN OUR SOLE PROPERTY.  
 • ONLY WRITTEN DIMENSIONS TO BE FOLLOWED.  
 • THE CONTRACTOR MUST CHECK ALL DIMENSIONS & DETAILS & BE RESPONSIBLE FOR THE SAME. ANY DISCREPANCY SHALL BE BROUGHT TO THE NOTICE OF THE ARCHITECT  
 • THIS DRAWING SHOULD BE READ IN CONJUNCTION WITH RELEVANT WORKING & DETAILED DRAWINGS.  
 • ALL DIMENSIONS SHALL BE VERIFIED ON SITE PRIOR TO START OF WORK

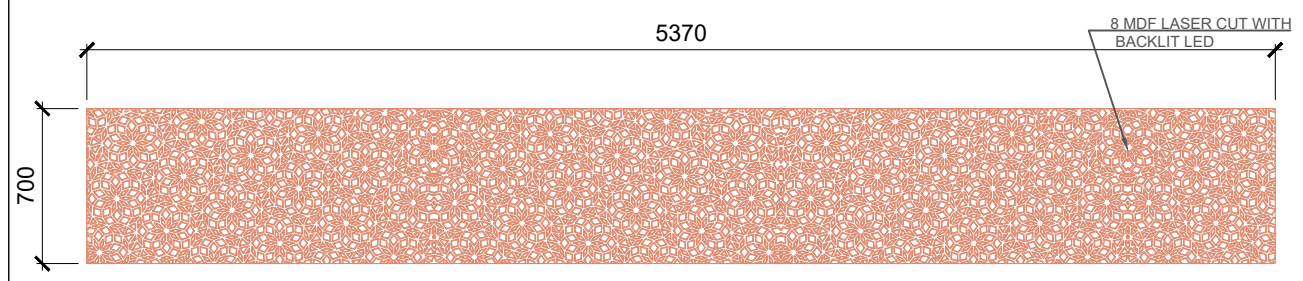


1st flr dwarka, 57 tagore road, santacruz west, mumbai 400 054  
Tel : 26482236 / 26482237

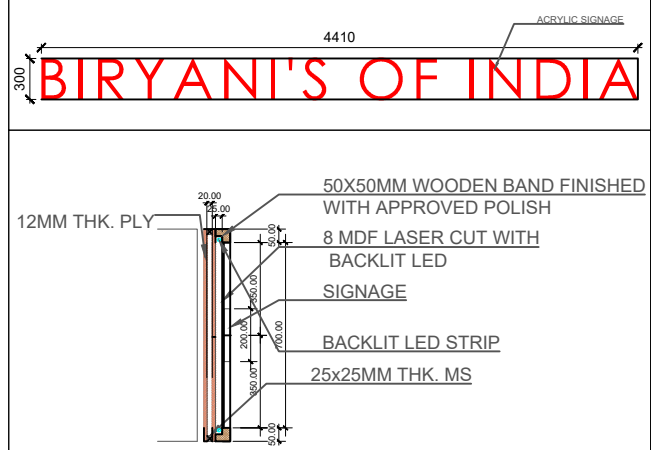
SCALE	NTS
DRN. BY	ASHYER
DATE	28/11/2024
JOB/DRG. NO	DEL-T2-BOI-07B



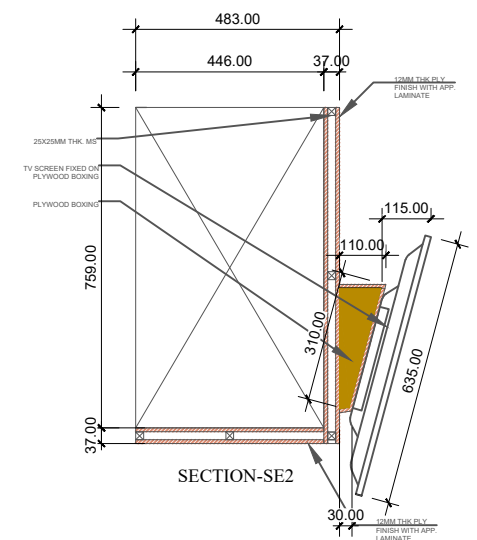
ELEVATION F-F  
MDF LASER CUT FACADE GRILL



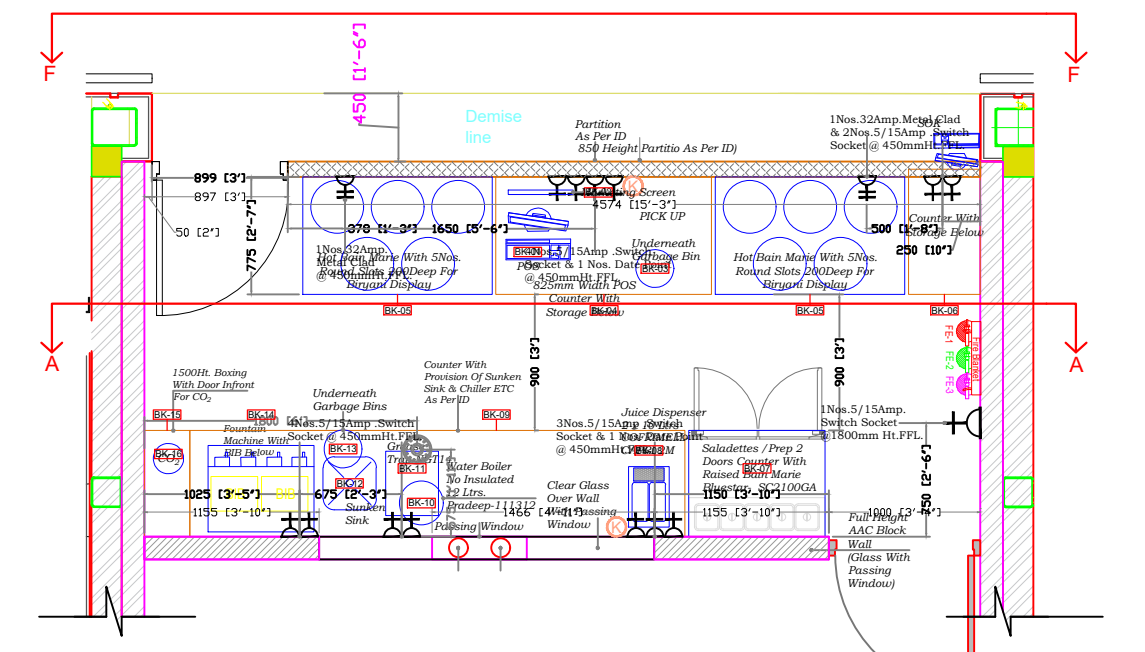
ELEVATION E-E  
MDF LASER CUT JAALI



SECTION-SE2



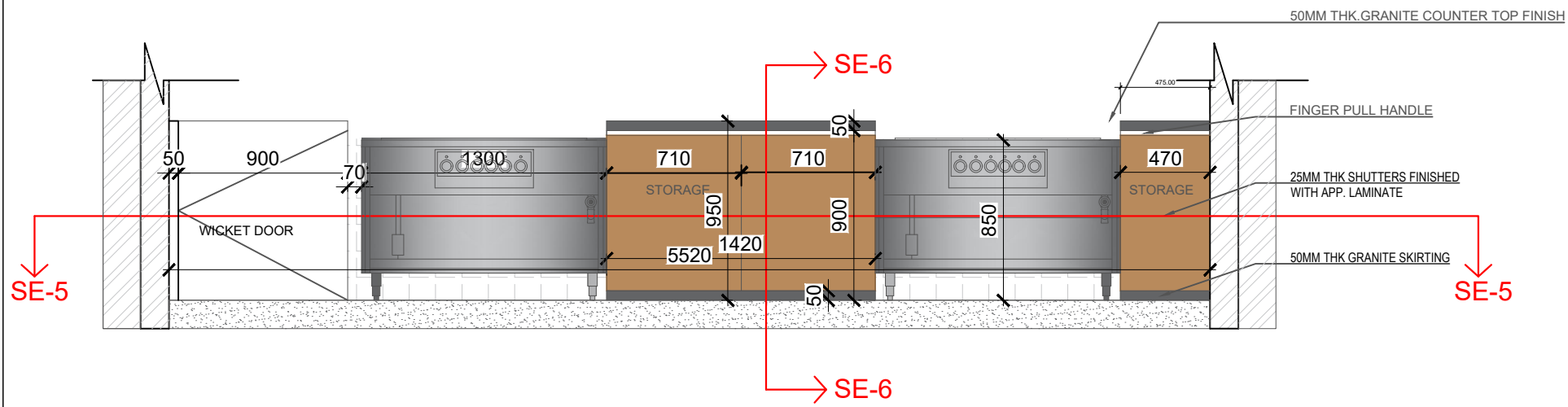
SECTION-SE2  
THROUGH TV BOXING



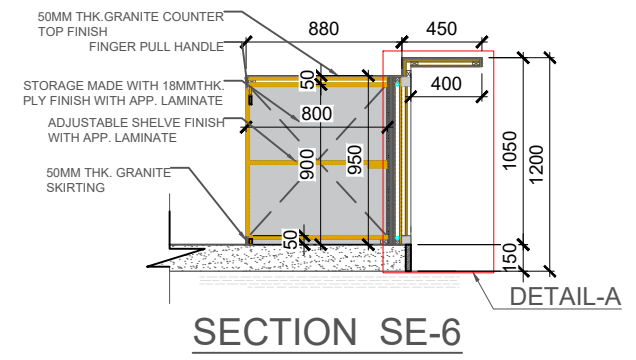
PLAN

ELEVATION





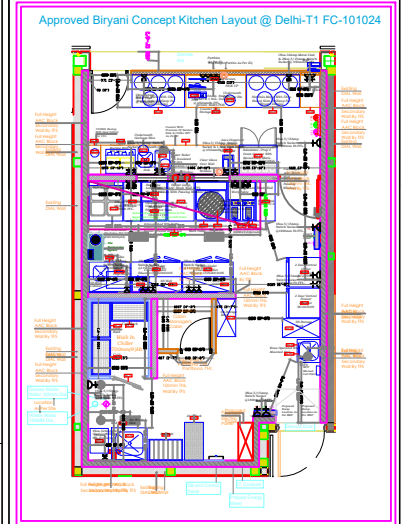
SECTION ELEVATION D-D



SECTION SE-6

LEGEND

KEY PLAN



REVISIONS

NO.	DATE.	
R0		

SIGN STAMP

CLIENT

TFS

PROJECT

BIRYANI'S OF INDIA,  
DELHI AIRPORT

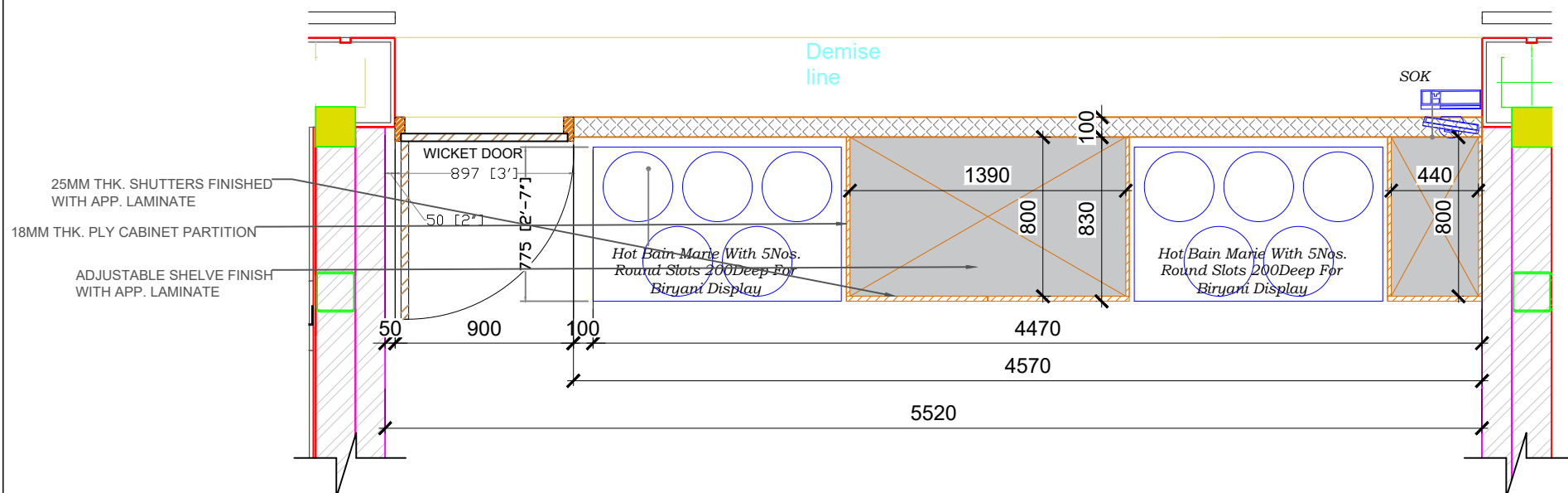
- NOTES :
- ALL DRAWING IS IN MM
  - THIS DRAWING IS A RIGHT & PROPERTY OF ARCHITECT NOT TO BE PRODUCED, COPIED, HANDED OVER TO THIRD PARTY OR USED FOR ANY OTHER PURPOSE OTHER THAN FOR WHICH IT IS INTENDED AND REMAIN OUR SOLE PROPERTY.
  - ONLY WRITTEN DIMENSIONS TO BE FOLLOWED.
  - THE CONTRACTOR MUST CHECK ALL DIMENSIONS & DETAILS & BE RESPONSIBLE FOR THE SAME. ANY DISCREPANCY SHALL BE BROUGHT TO THE NOTICE OF THE ARCHITECT
  - THIS DRAWING SHOULD BE READ IN CONJUNCTION WITH RELEVANT WORKING & DETAILED DRAWINGS.
  - ALL DIMENSIONS SHALL BE VERIFIED ON SITE PRIOR TO START OF WORK



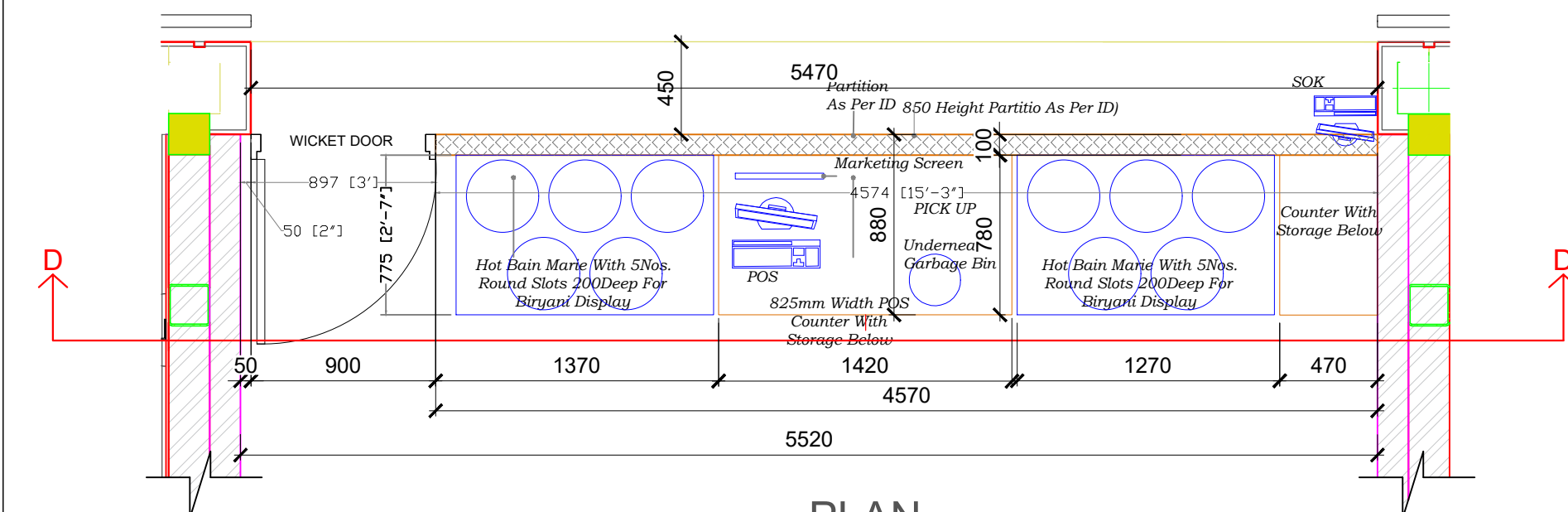
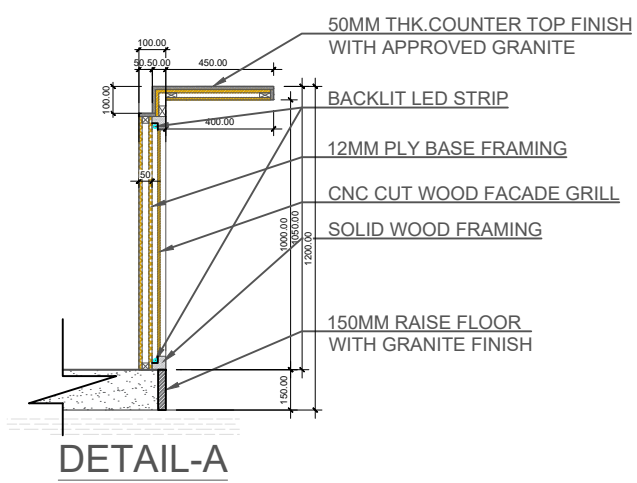
1st flr dwarka, 57 tagore road, santacruz west, mumbai 400 054  
Tel : 26482236 / 26482237

SCALE	NTS
DRN. BY	ASHYER
DATE	28/11/2024
JOB/DRG. NO	DEL-T2-BOI-08

FRONT COUNTER DETAIL

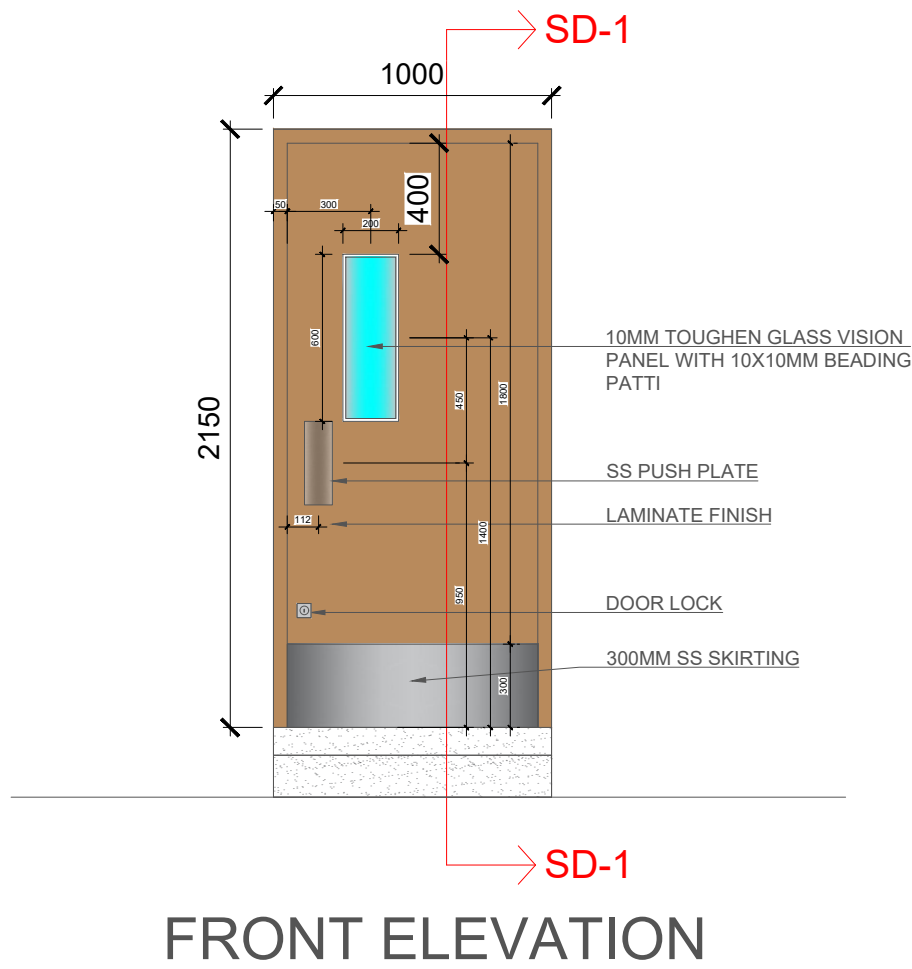


SECTION ELEVATION SE-5

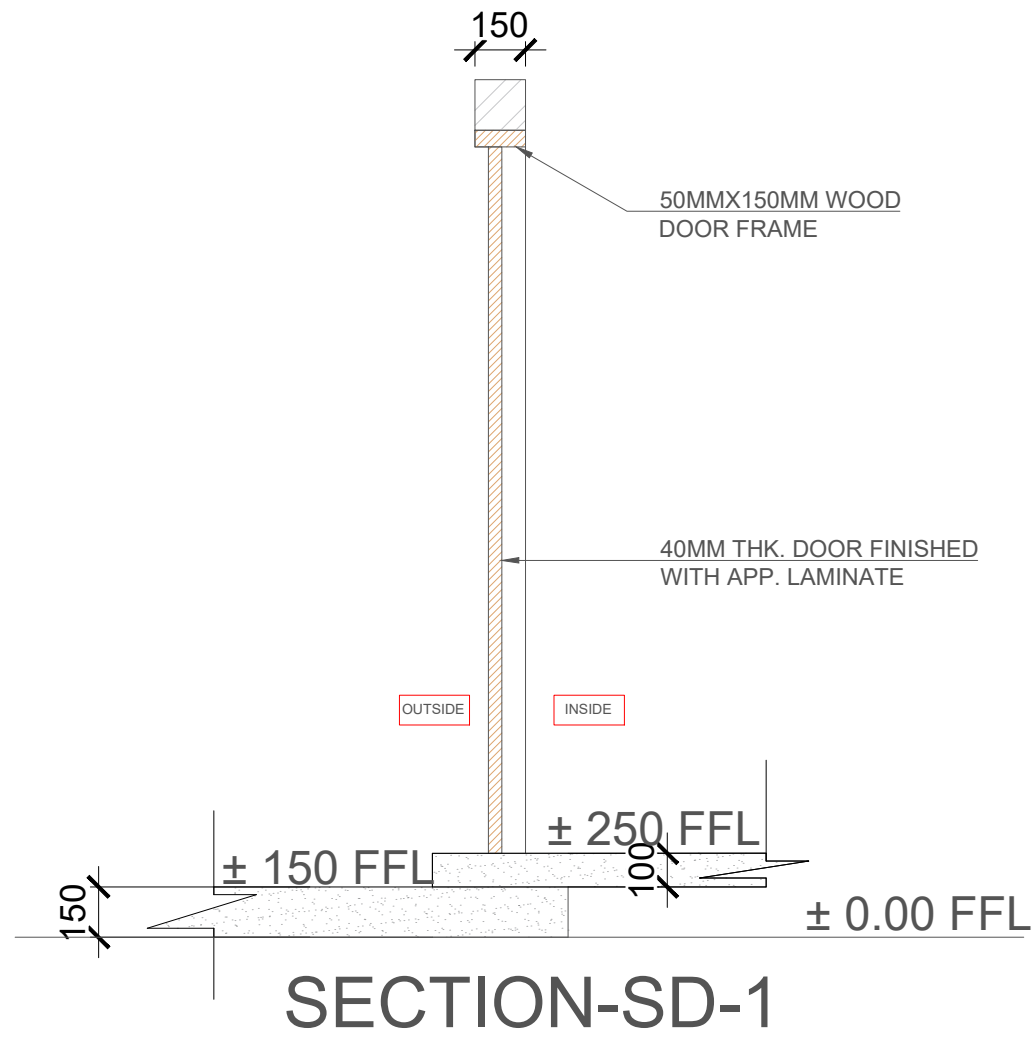


PLAN

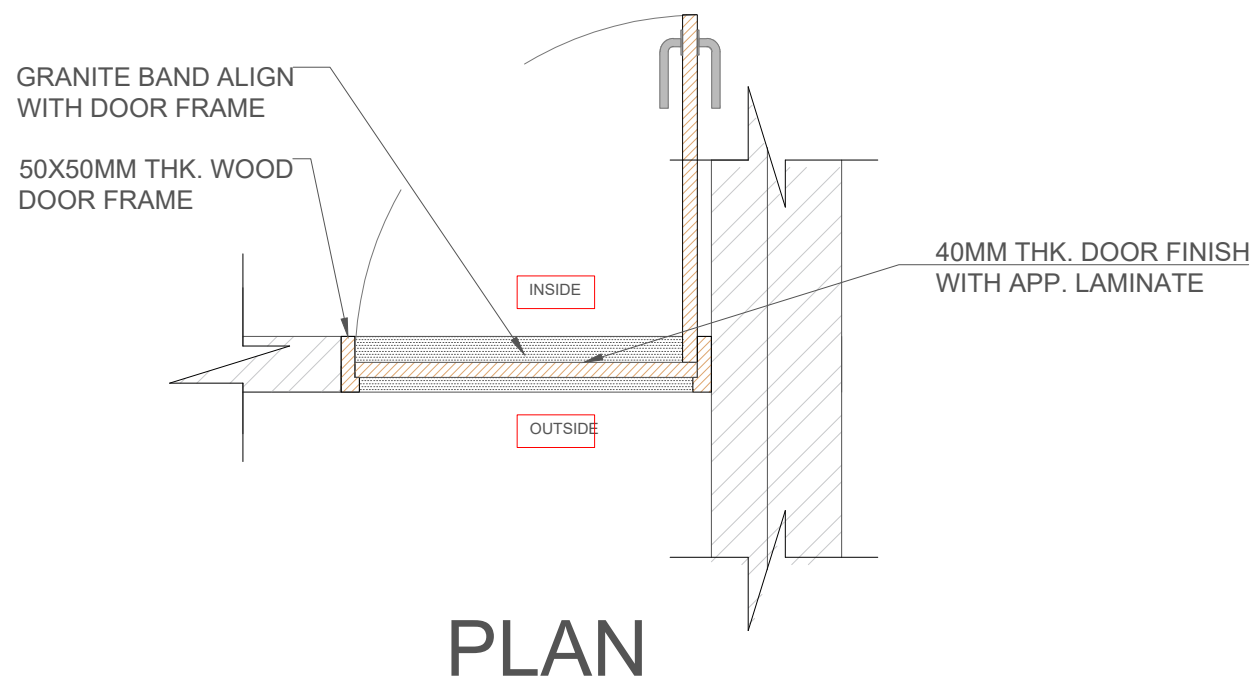




**FRONT ELEVATION**



**SECTION-SD-1**



**PLAN**

**LEGEND**

**REVISIONS**

NO.	DATE.	
R0		

SIGN

STAMP

DOOR DETAIL

CLIENT

TFS

PROJECT

**BIRYANI'S OF INDIA,  
DELHI AIRPORT**

- NOTES :
- ALL DRAWING IS IN MM
  - THIS DRAWING IS A RIGHT & PROPERTY OF ARCHITECT NOT TO BE PRODUCED, COPIED, HANDED OVER TO THIRD PARTY OR USED FOR ANY OTHER PURPOSE OTHER THAN FOR WHICH IT IS INTENDED AND REMAIN OUR SOLE PROPERTY.
  - ONLY WRITTEN DIMENSIONS TO BE FOLLOWED.
  - THE CONTRACTOR MUST CHECK ALL DIMENSIONS & DETAILS & BE RESPONSIBLE FOR THE SAME. ANY DISCREPANCY SHALL BE BROUGHT TO THE NOTICE OF THE ARCHITECT
  - THIS DRAWING SHOULD BE READ IN CONJUNCTION WITH RELEVANT WORKING & DETAILED DRAWINGS.
  - ALL DIMENSIONS SHALL BE VERIFIED ON SITE PRIOR TO START OF WORK



1st flr dwarka, 57 tagore road, santacruz west, mumbai 400 054  
Tel : 26482236 / 26482237

SCALE	NTS
DRN. BY	ASHYER
DATE	28/11/2024
JOB/DRG. NO	DEL-T2-BOI-10