



C01	23.04.24	TENDER	HOD	NM
REV	DATE	DESCRIPTION	DRN	CHK

LIST OF DRAWINGS		
#	DESCRIPTION	DWG.No
1	COVER SHEET	02GA-001
2	APPROVED VISUALS	02GA-002
3	GENERAL NOTES & FINISHES SCHEDULE	02GA-003
4	LIGHT & FIXTURE LEGEND	02GA-004
Plans		
5	GENERAL ARRANGEMENT PLAN	02GA-100
6	SETTING OUT PLAN -PART:A	02GA-101
7	SETTING OUT PLAN -PART:B	02GA-101A
8	WALL FINISHES	02GA-102
9	FLOORING LAYOUT	02GA-103
10	WATER PROOFING LAYOUT	02GA-103A
11	CEILING LAYOUT & SCHEDULE	02GA-104
12	CEILING SECTIONAL DETAIL	02GA-104A
13	LIGHTING LAYOUT & SCHEDULE	02GA-104B
14	EQUIPMENT LAYOUT	02GA-105
15	FURNITURE SETTING OUT PLAN	02GA-106
16	DETAIL DRAWING LEGEND	02GA-107

Elevations & Sections		
17	ELEVATION-01	03IL-300
18	ELEVATION-02	03IL-301
19	ELEVATION-03	03IL-302
20	ELEVATION-04	03IL-303
21	ELEVATION-05&ELEVATION-06	03IL-304
22	SECTION-01	03IL-305
Detail Drawings		
23	J01-FRONT COUNTER DETAIL:PART-A	04DE-400
24	J01-FRONT COUNTER DETAIL:PART-B	04DE-400A
25	J01-FRONT COUNTER DETAIL:PART-C	04DE-400B
26	J02-BOOTH SEAT DETAIL	04DE-401
27	J03-PERCH TABLE DETAIL:PART-A	04DE-402
28	J03-PERCH TABLE DETAIL:PART-B	04DE-402A
29	J04-BULKHEAD :PART-A	04DE-403
30	J04-BULKHEAD :PART-B	04DE-403A

31	J05-SERVERY BULKHEAD DETAIL	04DE-404
32	J06-CEILING ELEMENT DETAIL	04DE-405
33	J07-PLANTER BOX DETAIL: PART-A	04DE-406
34	J07-PLANTER BOX DETAIL: PART-B	04DE-406A
35	J08-L SHAPED 2 TOP HIGH TABLE	04DE-407
36	J09-CONDIMENT UNIT DETAIL: PART-A	04DE-408
37	J09-CONDIMENT UNIT DETAIL: PART-B	04DE-408A
38	J10-ORDER STATION	04DE-409
39	J11- DOOR(D1)	04DE-410
40	J12-ISOLATOR LOUVRE DOOR(LD)	04DE-410
41	J13-SIGNAGE DETAIL : PART-A	04DE-411
42	J13-SIGNAGE DETAIL : PART-B	04DE-412
43	J13-SIGNAGE DETAIL : PART-C	04DE-413
44	J13-SIGNAGE DETAIL : PART-D	04DE-414
45	J13-SIGNAGE DETAIL : PART-E	04DE-415
46	J14-STENCIL ART : PART-A	04DE-416
47	J14-STENCIL ART : PART-B	04DE-417



PROJECT  
CARLSJR FF018  
GMR INTERNATIONAL  
AIRPORT LIMITED,  
HYDERABAD

DRAWING TITLE  
COVER SHEET

SCALE NTS DATE 23.04.2024 DRAWN HOD A3 SHEET

STATUS

TENDER

ORG PROJECT NO DRAWING TYPE NUMBER REV  
TFS 0000 02GA 001 T01



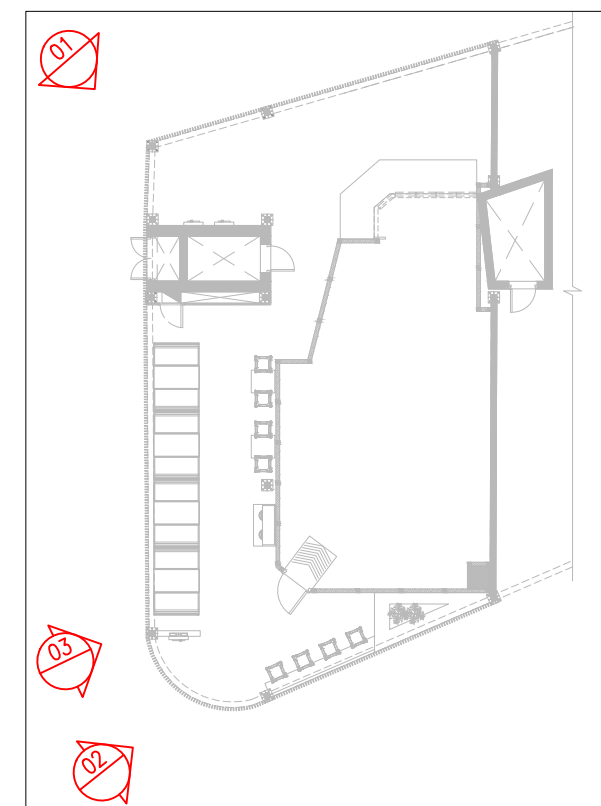
VIEW-01



VIEW-02



VIEW-03



KEYPLAN

C01	18.04.24	TENDER	HOD	NM
REV	DATE	DESCRIPTION	DRN	CHK



PROJECT  
CARLSJR FF018  
GMR INTERNATIONAL  
AIRPORT LIMITED,  
HYDERABAD

DRAWING TITLE  
APPROVED VISUALS

SCALE	NTS	DATE	18.04.2024	DRAWN	HOD	A3	SHEET
-------	-----	------	------------	-------	-----	----	-------

STATUS  
TENDER

ORG	PROJECT NO	DRAWING TYPE	NUMBER	REV
TFS	0000	02GA	002	T01

GENERAL NOTES

ALL DIMENSIONS ARE IN MM UNLESS OTHERWISE MENTIONED.  
DO NOT SCALE THE DRAWING.  
FOLLOW WRITTEN DIMENSIONS ONLY. IN CASE OF ANY DISCREPANCY IN DIMENSIONS/DETAILS AT SITE, PLEASE REFER IT BACK TO THE ARCHITECT.

THE MAIN CONTRACTOR IS EXPECTED TO COORDINATE THE DESIGNS/SITE EXECUTION WITH THE DESIGNS/DETAILS/WORKS OF THE SUB-CONTRACTOR/ VENDOR (E.G. PLUMBING CONTRACTOR). IN CASE OF ANY DISCREPANCY IN DIMENSIONS/DETAILS AT SITE, PLEASE REFER IT BACK TO THE ARCHITECT.

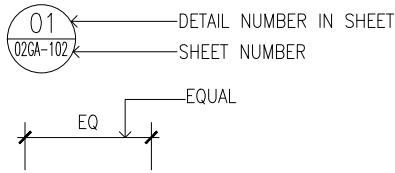
THE DRAWINGS/ DETAILS PROVIDED ARE MEANT TO CLARIFY DESIGN INTENT/DESIGN APPEARANCE ONLY. THE CONTRACTOR IS EXPECTED TO DEVELOP HIS/HER OWN DETAILS TO ENSURE STRUCTURAL STABILITY/ FUNCTIONING OF THE DETAIL IN LINE WITH THE DESIGN INTENT GIVEN.

THE DRAWINGS/DETAILS PROVIDED DO NOT CONTAIN ANY IRONMONGERY (E.G. HINGES, SCREWS, ANGLES ETC.) SPECIFICATIONS OR DETAILS. IT IS EXPECTED THE CONTRACTOR WILL SUITABLY DETAIL THE BUILD-UPS WITH THE RIGHT FITTINGS/IRONMONGERY TO ENSURE STRUCTURAL STABILITY/ FUNCTIONING OF THE DETAIL IN LINE WITH THE DESIGN INTENT GIVEN.

ALL SHOP DRAWINGS, MAKE/MATERIAL, FIXTURES TO BE PRESENTED TO ARCHITECT FOR REVIEW AND VALIDATION.

ALL TAP-OFF POINTS (E.G. FOR POWER, WATER, DRAINAGE ETC.) TO BE VALIDATED AT SITE PRIOR TO COMMENCEMENT OF WORK.

SYMBOLS & ABBREVIATIONS



AIRPORT FFL- REFERS TO EXISTING FINISHED FLOOR LEVEL OF AIRPORT

COUNTER TOP										
18	SL01	COUNTER TOP, COUNTER FASCIA	SOLID SURFACE	WHITE DIAMOND COUNTER TOP	MATTE	SILESTONE	<a href="https://www.elitegraniteni.com/silestone/">https://www.elitegraniteni.com/silestone/</a>			
FLOORING										
19	FL01	FLOOR (SEATING AREA)	CONCRETE	600X1200 MM/CONCRETE CERAMIC FLOOR TILE	MATTE	RAK-WHITE COLLECTIONS CODE: A12GUTC-SIR/ANKSR	<a href="https://www.rakceramics.com/usa/en/tiles-floors-coverings/collections/loft-concrete/">https://www.rakceramics.com/usa/en/tiles-floors-coverings/collections/loft-concrete/</a>			
20	FL02	FLOOR (SERVEY & BOH)	KOTA STONE	640X60MM/GRY COLOUR KOTA STONE	MATTE	KOTA STONE	<a href="https://www.kotastone.com/blue-kotastone-wholesale-exporters.html">https://www.kotastone.com/blue-kotastone-wholesale-exporters.html</a>			
21	FL03	FLOOR TRIM	STAINLESS STEEL	S.S 304 GRADE T-SHAPE TRANSITION TRIM	MATTE	SDS-PROFILES /EQUIVALENT	<a href="https://sdsprofile.com/product/s304-t-patt-t-profile-now-available-in-pune-sds-brand/">https://sdsprofile.com/product/s304-t-patt-t-profile-now-available-in-pune-sds-brand/</a>			
22	FL04	FLOOR TRIM	STAINLESS STEEL	SS FLOOR REDUCER TRIM	MATTE	AAMTAC-METAL PROFILES REDUCER TRIM	<a href="https://aamtac.com/metallic-profiles-trims/">https://aamtac.com/metallic-profiles-trims/</a>			
WALL TILES										
23	WT01	WALL	CERAMIC TILE	300x600 MM/WOODEN EFFECT CERAMIC WALL TILE	MATTE	NITCO/EQUIVALENT	<a href="https://www.nitco.in/product-details/wooden-wall-tiles/kenridge-brown/nttiwaud600x300nosm05279">https://www.nitco.in/product-details/wooden-wall-tiles/kenridge-brown/nttiwaud600x300nosm05279</a>			
24	WT02	WALL(BOH)	CERAMIC TILE	100X300 MM/CERAMIC TILES WITH TRIMSPACER, GROUTED WITH GREY COLOUR EPOXY	GLOSSY	RAK-WHITE COLLECTIONS CODE: A13WSUBY-WHE/GOXQU	<a href="https://www.rakceramics.com/uk/en/tiles-floors-coverings/collections/subway/">https://www.rakceramics.com/uk/en/tiles-floors-coverings/collections/subway/</a>			
WALL PAPER										
25	GR01	WALL/SERVEY BULKHEAD	WALL PAPER	GEOMETRIC PATTERN VINYL WALL COVERINGS	MATTE	LOCALLY SOURCED	NA			
UPHOLESTERY										
26	UP01	BOOTH SEAT	FAUX LEATHRE	GREY COLOUR LEATHRETE	MATTE	LOCALLY SOURCED	NA			

FINISHES SCHEDULE										
#	FINISH CODE	SURFACE	FINISH TYPE	DESCRIPTION/DETAIL	FINISH	REFERENCE/BRAND	WEBLINK	IMAGE		
<b>ALL MATERIAL / PAINTS TO BE FIRE RATED AS PER AIRPORT REQUIREMENT</b>										
WALL PANEL/CLADDING										
1	WP01	WALL	WALL PANEL	OLD WHITE BRICK IMITATION PANELS/CLADDINGS	MATTE	STONE PANEL MODEL:532	<a href="https://www.stone-panel.co.uk/faux-brick-wall-panelling/">https://www.stone-panel.co.uk/faux-brick-wall-panelling/</a>			
2	WP02	WALL	WALL PANEL	GREY PAINTED BRICK IMITATION PANELS/CLADDINGS	MATTE	STONE PANEL	<a href="https://www.stone-panel.co.uk/faux-brick-wall-panelling/">https://www.stone-panel.co.uk/faux-brick-wall-panelling/</a>			
PAINT										
3	PT01	BULKHEAD	ENAMEL	TRAFFIC RED COLOUR PAINT RAL:3020	MATTE	BRAND: SHERWIN-WILLIAMS /EQUIVALENT	<a href="https://www.sherwin-williams.com/en-us/color">https://www.sherwin-williams.com/en-us/color</a>			
4	PT02	BULKHEAD, CEILING ELEMENT, STENCIL ARTWORK	ENAMEL	TRAFFIC YELLOW COLOUR PAINT RAL:1023	MATTE	DULUX TRADE PAINT/ EQUIVALENT	<a href="https://www.dulux.in/en/colour-palettes/yellow-fervor-1114209">https://www.dulux.in/en/colour-palettes/yellow-fervor-1114209</a>			
5	PT03	METAL FRAMES, DOOR, CONDIMENT UNIT	ENAMEL	GREY COLOUR PAINT RAL:7022	MATTE	DULUX TRADE PAINT/ EQUIVALENT	<a href="https://www.duluxtradepaintexpert.co.uk/en/products/dulux-trade-vinyl-soft-sheen/ccid_1780528?size=2.5L">https://www.duluxtradepaintexpert.co.uk/en/products/dulux-trade-vinyl-soft-sheen/ccid_1780528?size=2.5L</a>			
6	PT04	GYPSUM/CEILING, WALL(BOH), BULKHEAD	EMULSION	GREY COLOUR PAINT RAL:7022	MATTE	DULUX TRADE PAINT/ EQUIVALENT	<a href="https://www.duluxtradepaintexpert.co.uk/en/products/dulux-trade-vinyl-soft-sheen/ccid_1780528?size=2.5L">https://www.duluxtradepaintexpert.co.uk/en/products/dulux-trade-vinyl-soft-sheen/ccid_1780528?size=2.5L</a>			
7	PT05	STENCIL ARTWORK	ENAMEL	JET BLACK COLOUR PAINT RAL:9005	MATTE	DULUX TRADE PAINT/ EQUIVALENT	<a href="https://www.duluxtradepaintexpert.co.uk/en/products/dulux-trade-vinyl-soft-sheen/ccid_1780569?size=2.5L">https://www.duluxtradepaintexpert.co.uk/en/products/dulux-trade-vinyl-soft-sheen/ccid_1780569?size=2.5L</a>			
8	PT06	COLUMNS	EMULSION	WHITE COLOUR PAINT RAL:9003/9016	MATTE	BRAND: SHERWIN-WILLIAMS /EQUIVALENT	<a href="https://www.sherwin-williams.com/en-us/color/color-family/white-paint-colors/sw9541-white-snow">https://www.sherwin-williams.com/en-us/color/color-family/white-paint-colors/sw9541-white-snow</a>			
9	PT07	BULKHEAD, CEILING	ENAMEL	IVORY COAST COLOUR PAINT RAL:1015	MATTE	DULUX TRADE PAINT/ EQUIVALENT	<a href="https://www.dulux.in/en/colour-palettes/ivory-coast-1114248">https://www.dulux.in/en/colour-palettes/ivory-coast-1114248</a>			
LAMINATE										
10	LM01	PLANTER BOX, BOOTH SEAT, L SHAPED 2 TOP HIGH TABLE	LAMINATE	OAK WOOD LAMINATE	MATTE	MERINO-GOLDEN SCURO OAK DESIGN:14974	<a href="https://www.merinolaminates.com/en/design/14974-antuga-ohio-oak/">https://www.merinolaminates.com/en/design/14974-antuga-ohio-oak/</a>			
11	LM02	INSIDE LAMINATE, FRONT COUNTER REAR SIDE	LAMINATE	GREY COLOUR LAMINATE	MATTE	CENTURY-GREY CODE:80232	<a href="https://www.centuryply.com/centurylaminates/single.php?productid=562">https://www.centuryply.com/centurylaminates/single.php?productid=562</a>			
12	LM03	PLANTER BOX TOP, PERCH TABLE TOP	LAMINATE	REFRESH OAK WOOD LAMINATE	MATTE	GREENLAM LAMINATES CODE:5427	<a href="https://www.greenlam.co.in/sanganer-pearl">https://www.greenlam.co.in/sanganer-pearl</a>			
METAL										
13	MT01	SKIRTING	POWDER COAT	GREY COLOUR POWDER COATED METAL SKIRTING RAL:7022	MATTE	LOCALLY SOURCED	NA			
14	MT02	CONDIMENT UNIT	ALUMINIUM CORRUGATED SHEET	GREY COLOUR POWDER COATED ALUMINIUM CORRUGATED SHEET	MATTE	LOCALLY SOURCED	NA			
15	MT03	BULKHEAD	ALUMINIUM	85X20 MM THK ALUMINIUM SLATS FINISH WITH (PT01, PT02, PT07)	MATTE	LOCALLY SOURCED	NA			
16	MT04	CEILING	ALUMINIUM	20X20 MM THK ALUMINIUM SLATS FINISH WITH (PT07)		LOCALLY SOURCED	NA			
17	MT05	PERCH TABLE	METAL MESH	METAL MESH FINISH WITH GREY COLOUR PAINT(PT03)	MATTE	LOCALLY SOURCED	NA			

ALL DIMENSIONS MUST BE CHECKED ON SITE  
INFORM THE ARCHITECT OF ANY DISCREPANCIES PRIOR TO CONSTRUCTION

C01 18.04.24 TENDER HOD NM  
REV DATE DESCRIPTION DRN CHK











PROJECT  
**CARLSJR FF018**  
**GMR INTERNATIONAL**  
**AIRPORT LIMITED,**  
**HYDERABAD**



DRAWING TITLE  
**GENERAL NOTES & FINISHES**  
**SCHEDULE**

SCALE NTS DATE 18.04.2024 DRAWN HOD A3 SHEET

STATUS  
**TENDER**

ORG PROJECT NO DRAWING TYPE NUMBER REV  
**TFS 0000 02GA 003 T01**

LIGHT & FIXTURE LEGEND					
Sl. No	CODE	DESCRIPTION	Qty	REFERENCE/BRAND	IMAGE
1	LT01	<b>LIGHT BULB CEILING LAMP</b> ALUMINIUM BLACK HOUSING WITH GLASS, CLEAR BULB DIA:115XH220MM LIGHT TEMP:2700K 4W LED	4	LOCALLY SOURCED	
2	LT02	<b>PENDANT LIGHT-01</b> BODY COLOUR:PURE WHITE LIGHT TEMP:3000K	3	LOCALLY SOURCED	
3	LT03	<b>RECESSED DOWN LIGHT</b> CORE LINE SLIM DOWNLIGHT DIA:205MM WALLTAGE:22.5W LIGHT TEMP:3000K	55	<a href="https://www.lighting.philips.com/pr of/indoor-luminaires/downlights/coreline-slimdownlight/910505101197_EU/product">https://www.lighting.philips.com/pr of/indoor-luminaires/downlights/coreline-slimdownlight/910505101197_EU/product</a>	
4	LT04	<b>LED PANEL LIGHT</b> LIGHT TEMP:3000K	14	PHILIPS/EQUIVALENT	
5	LT05	<b>BATTEN LIGHT</b> LIGHT TEMP:3000K	1	PHILIPS/EQUIVALENT	
6	LT06	<b>TRACK LIGHT</b> TRACK:1 NOS BLACK COLOUR POWDER COATED FINISH LIGHT:5NOS BLACK COLOUR POWDER COATED FINISH DIA:205MM WALLTAGE:22.5W LIGHT TEMP:3000K	1	<a href="https://www.lighting.philips.com/pr of/indoor-luminaires/projectors/greenupt-track/LP_CF_ST306T_EU/family">https://www.lighting.philips.com/pr of/indoor-luminaires/projectors/greenupt-track/LP_CF_ST306T_EU/family</a>	
7	LT07	<b>LED STRIP LIGHT WITH DIFFUSER</b> LIGHT TEMP:3000K	AS PER DWG	<a href="https://havells.com/en/consumer/lighting/led%20strips/flexion-strip-light/flexion-led-strip-24-w-rgb.html">https://havells.com/en/consumer/lighting/led%20strips/flexion-strip-light/flexion-led-strip-24-w-rgb.html</a>	
8	DD	<b>43" DIGITAL DISPLAY(VERTICAL ORIENTATION)</b> 1080P SMART LED TV - 43" CLASS (42.5" DIAG)/EQUIVALENT	5	<a href="https://www.lg.com/us/tvs/lg-43LF6300-smart-led-tv">https://www.lg.com/us/tvs/lg-43LF6300-smart-led-tv</a>	

FURNITURE LEGEND						
SL.NO	CODE	DESCRIPTION	QTY	MEASUREMENTS	REFERENCE/BRAND	IMAGE
1	CH1	<b>RECTANGULAR TABLE-01</b> TOP FINISH : OAK WOOD LAMNATE LEG : STEEL TUBE EPOXY POWDER COATED WITH GREY COLOUR (RAL -7012) TABLE BASE : STEEL POWDER COATED GREY COLOUR BASE(RAL -7012)	4	TABLE HEIGHT:760MM TABLE WIDTH:600MM TABLE LENGTH:1200MM	AS PER VENDOR	
2	CH2	<b>HIGH CHAIR-01</b> SEAT:GREY COLUR FABRIC LEGS : METAL FINISH WITH GREY COLOUR PAINT(RAL -7012)	8	CHAIR HEIGHT:760MM CHAIR WIDTH:415MM CHAIR LENGTH:415MM	AS PER VENDOR	

C01 18.04.24 TENDER HOD NM  
REV DATE DESCRIPTION DRN CHK



PROJECT  
CARLSJR FF018  
GMR INTERNATIONAL  
AIRPORT LIMITED,  
HYDERABAD

DRAWING TITLE  
LIGHT & FIXTURE LEGEND

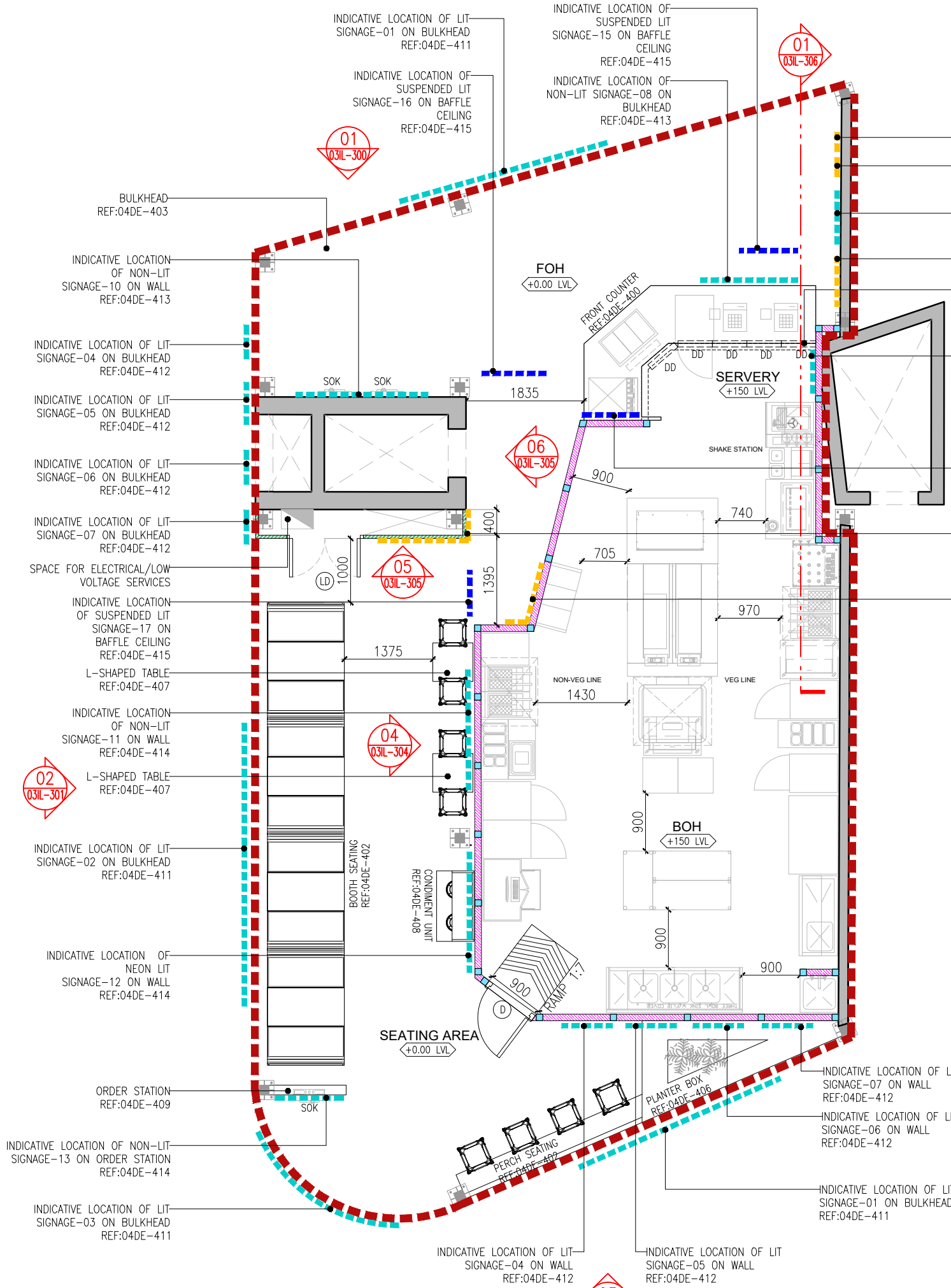
SCALE NTS DATE 18.04.2024 DRAWN HOD A3 SHEET

STATUS  
TENDER

ORG PROJECT NO DRAWING TYPE NUMBER REV  
TFS 0000 02GA 004 T01

ALL DIMENSIONS MUST BE CHECKED ON SITE  
INFORM THE ARCHITECT OF ANY DISCREPANCIES PRIOR TO CONSTRUCTION

- - - - - INDICATES UNIT DEMISE
- - - - - INDICATES PROPOSED SIGNAGE
- - - - - INDICATES SUSPENDED PROPOSED SIGNAGE
- - - - - INDICATES STENCIL ART



DOOR SCHEDULE					
CODE	TYPE	SIZE(MM)	LOCK	FIRE RATING	NOS.
LD	ISOLATOR LOUVRE DOOR	700X2100	NO	1 HOUR	1
D	DOOR	900X2100	NO	1 HOUR	1

WALL LEGEND			
#	PARTICULARS	SYMBOL	HEIGHTS (MM)
1	EXISTING WALL		-
2	PROPOSED 100MM THK MASONRY WALL		+3100
3	PROPOSED 50MM THK DRY PARTITION WALL		+3100
4	PROPOSED 100x100 MM CONCRETE FRAMING (M.20 MIX WITH NOMINAL REINFORCEMENTS)		+3100

DIGITAL DISPLAY			
CODE	SIZE	NAME	COUNT
DD	43"	SUSPENDED DIGITAL DISPLAY(VERTICAL)	5

AREA STATEMENT		
#	DESCRIPTION	AREA/M <sup>2</sup>
1	FOH+SEATING AREA	52.00
2	BOH	79.00
TOTAL		131.00

COVERS		
#	DESCRIPTION	NOS
1	BOOTH SEATING	16
2	PERCH SEATING	04
3	DINING SEATING	04
TOTAL		24

C01 02.05.24 TENDER HOD NM  
REV DATE DESCRIPTION DRN CHK



PROJECT  
**CARLSJR FF018**  
**GMR INTERNATIONAL**  
**AIRPORT LIMITED,**  
**HYDERABAD**

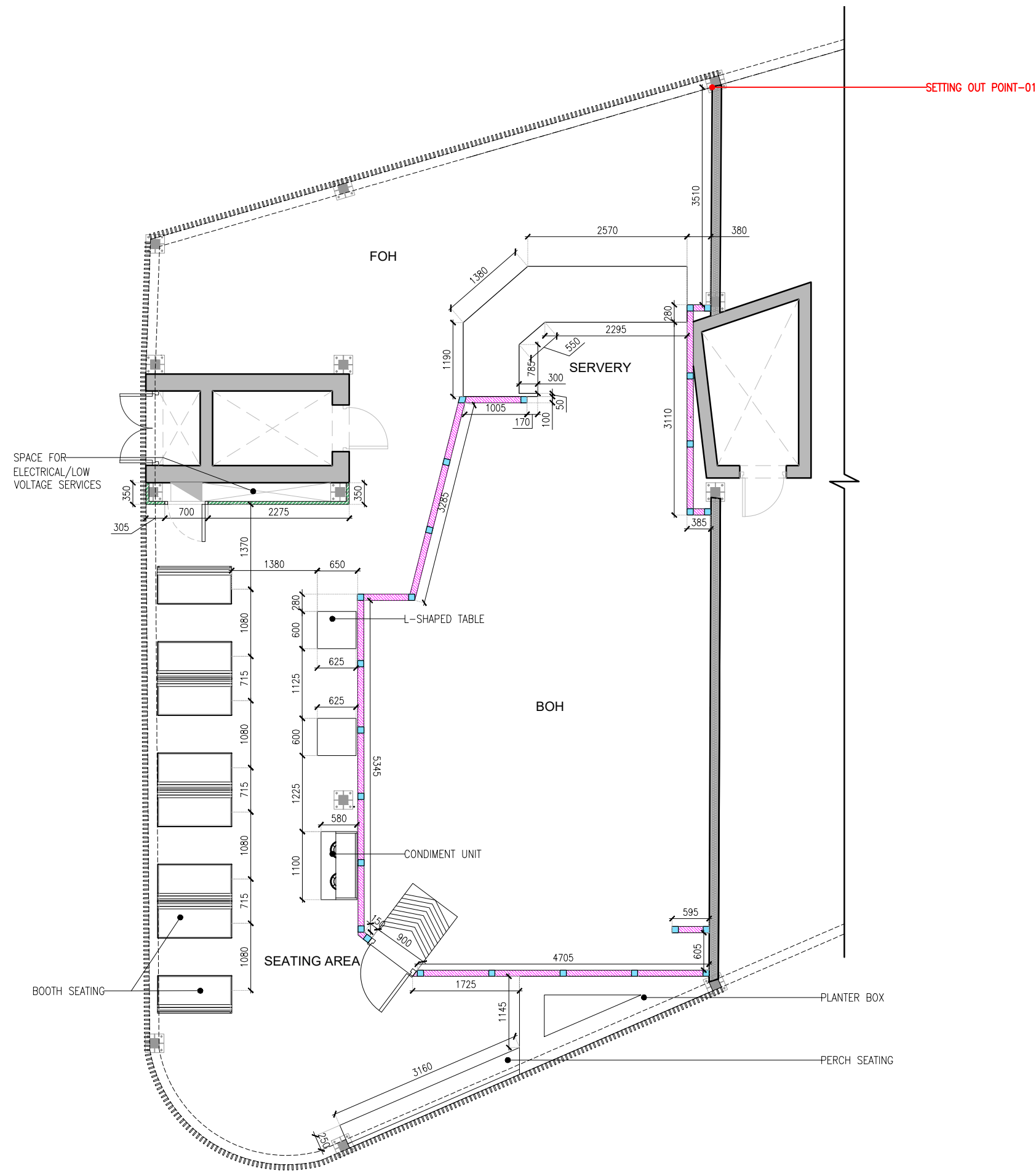
DRAWING TITLE  
**GENERAL ARRANGEMENT PLAN**

SCALE 1:75 DATE 02.05.2024 DRAWN HOD A3 SHEET

STATUS  
**TENDER**

ORG PROJECT NO DRAWING TYPE NUMBER REV  
**TFS 0000 02GA 001 T01**

**01 GENERAL ARRANGEMENT PLAN**  
02GA-100 1:75



WALL LEGEND			
#	PARTICULARS	SYMBOL	HEIGHTS (MM)
1	EXISTING WALL		-
2	PROPOSED 100MM THK MASONRY WALL		+3100
3	PROPOSED 50MM THK DRY PARTITION WALL		+3100
4	PROPOSED 100x100 MM CONCRETE FRAMING (M.20 MIX WITH NOMINAL REINFORCEMENTS)		+3100

C01 18.04.24 TENDER HOD NM  
REV DATE DESCRIPTION DRN CHK



PROJECT  
**CARLSJR FF018**  
**GMR INTERNATIONAL**  
**AIRPORT LIMITED,**  
**HYDERABAD**

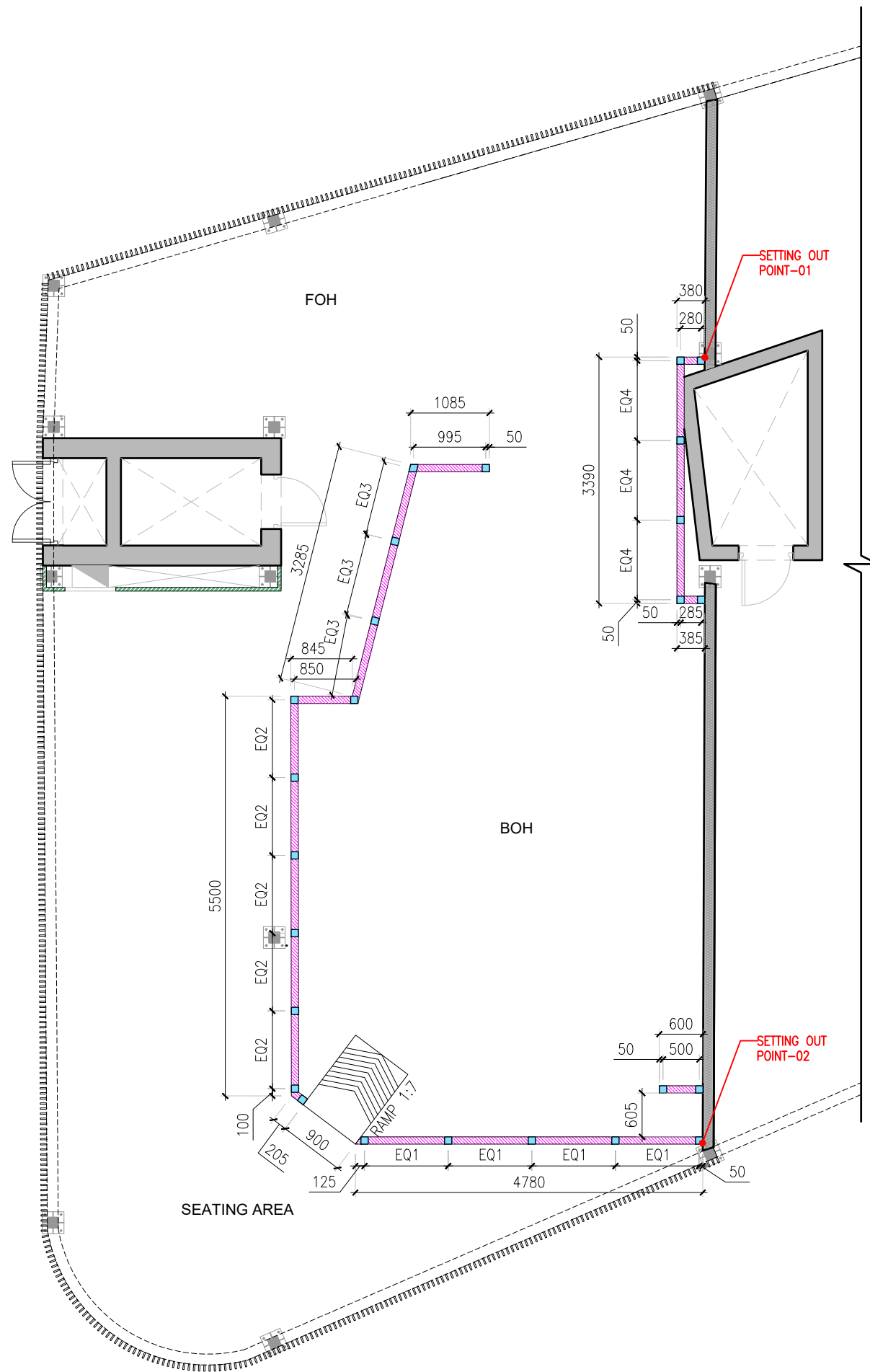
DRAWING TITLE  
**SETTING OUT PLAN PART:A**

**01** SETTING OUT PLAN PART:A  
02GA-101 1:75

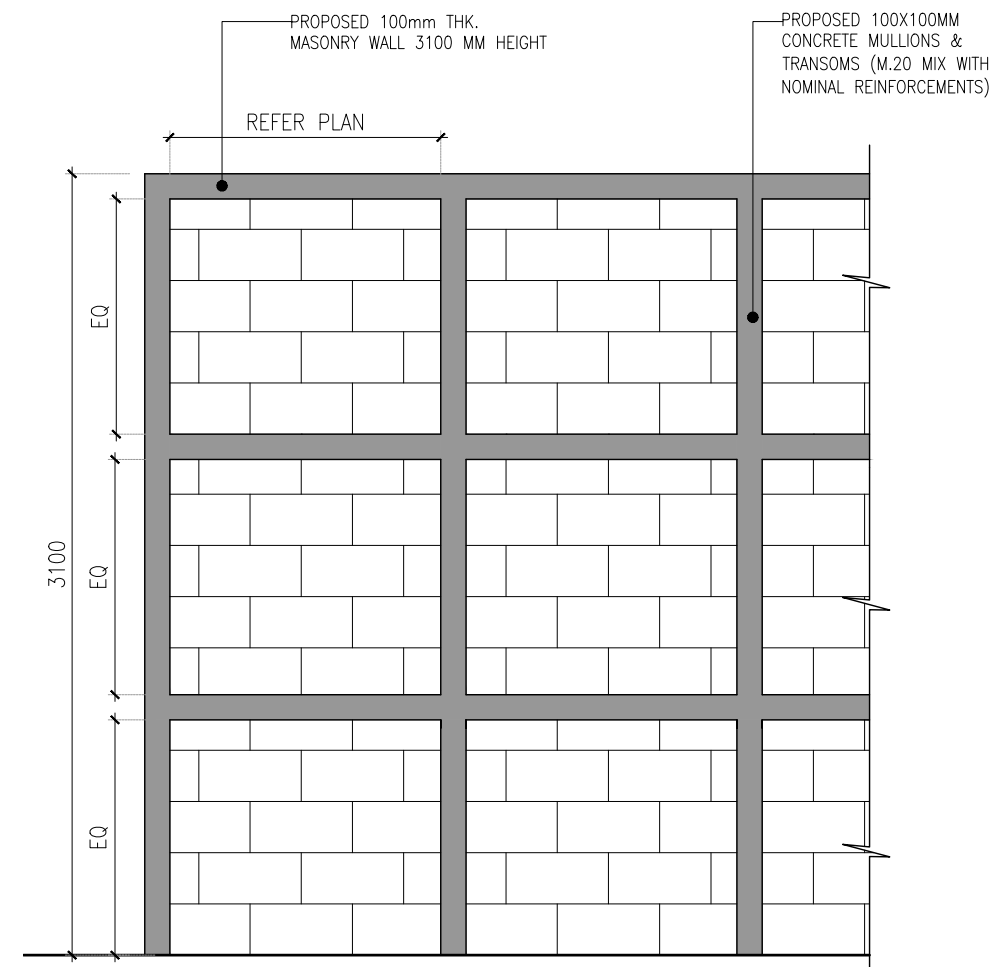
SCALE 1:75 DATE 18.04.2024 DRAWN HOD A3 SHEET

STATUS  
**TENDER**

ORG	PROJECT NO	DRAWING TYPE	NUMBER	REV
TFS	0000	02GA	101	T01



WALL LEGEND			
#	PARTICULARS	SYMBOL	HEIGHTS (MM)
1	EXISTING WALL		-
2	PROPOSED 100MM THK MASONRY WALL		+3100
3	PROPOSED 50MM THK DRY PARTITION WALL		+3100
4	PROPOSED 100x100 MM CONCRETE FRAMING (M.20 MIX WITH NOMINAL REINFORCEMENTS)		+3100



TYPICAL STRUCTURAL ELEVATION (WALL CONSTRUCTION)  
(SCALE-1:30)

C01 18.04.24 TENDER HOD NM  
REV DATE DESCRIPTION DRN CHK



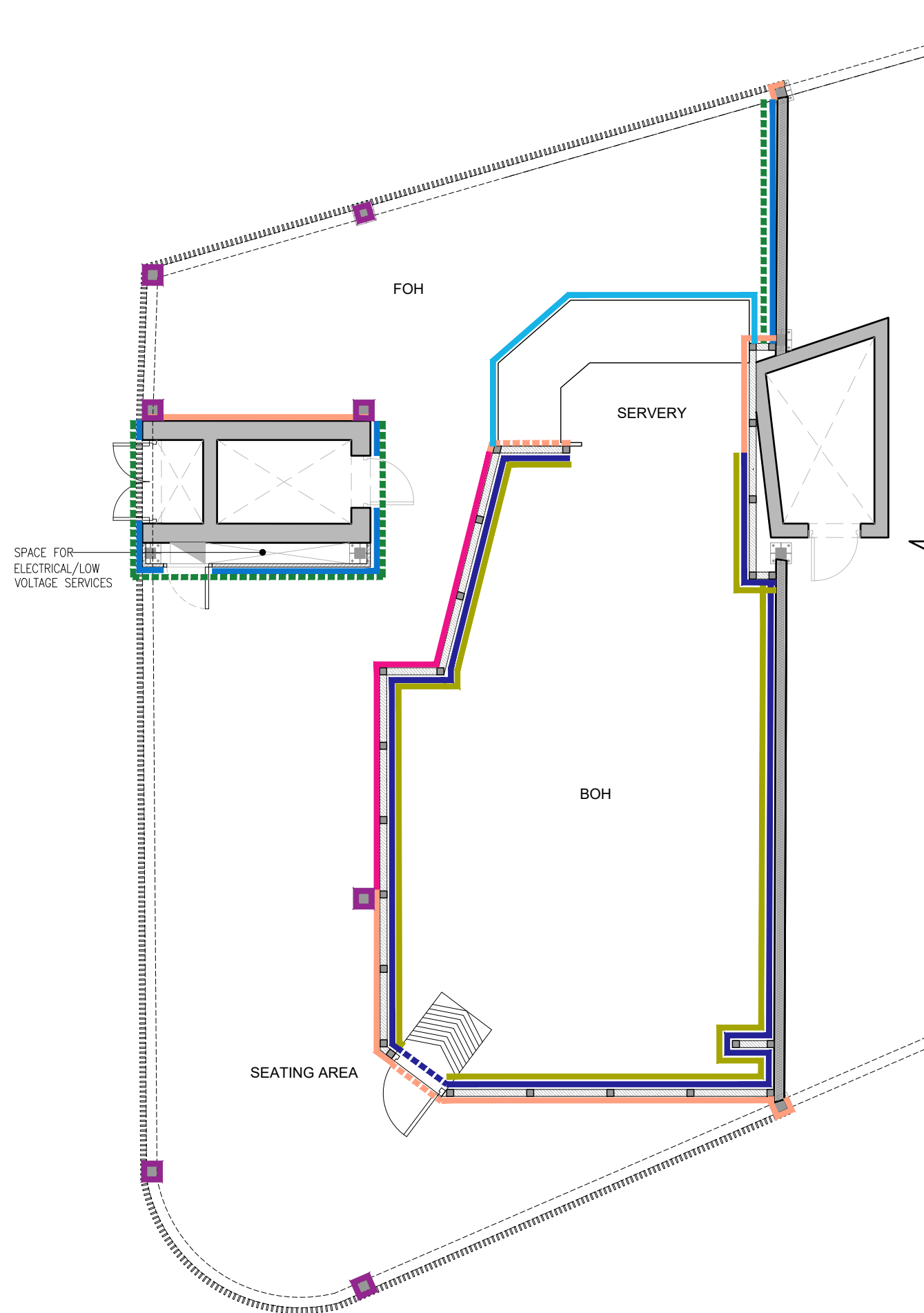
PROJECT  
CARLSJR FF018  
GMR INTERNATIONAL  
AIRPORT LIMITED,  
HYDERABAD  
DRAWING TITLE  
SETTING OUT PLAN PART:B

SCALE 1:75 DATE 18.04.2024 DRAWN HOD A3 SHEET

STATUS  
TENDER

ORG PROJECT NO DRAWING TYPE NUMBER REV  
TFS 0000 02GA 101A T01

01 SETTING OUT PLAN PART:B  
1:75



WALL FINISHES LEGEND		
SYMBOL	FINISH	SURFACE
	WP01 OLD WHITE BRICK IMITATION PANELS/CLADDINGS	WALL
	WP02 GREY PAINTED BRICK IMITATION PANELS/ CLADDINGS	WALL
	PT04 GREY COLOUR PAINT RAL:7022	WALL
	PT06 WHITE COLOUR PAINT RAL:9003/9016	COLUMN
	WT01 300x600 MM WOODEN EFFECT CERAMIC WALL TILE	WALL
	WT02 100x300 MM CERAMIC TILES WITH 1MM SPACER,GROUTED WITH GREY COLOUR EPOXY	WALL
	SU01 WHITE DIAMOND COUNTER TOP	COUNTER
	GR01 GEOMETRIC PATTERN VINYL WALL COVERINGS	WALL,COLUMN

**01 WALL FINISHES PLAN**  
02GA-102 1:75

C01	18.04.24	TENDER	HOD	NM
REV	DATE	DESCRIPTION	DRN	CHK



PROJECT  
**CARLSJR FF018**  
**GMR INTERNATIONAL**  
**AIRPORT LIMITED,**  
**HYDERABAD**

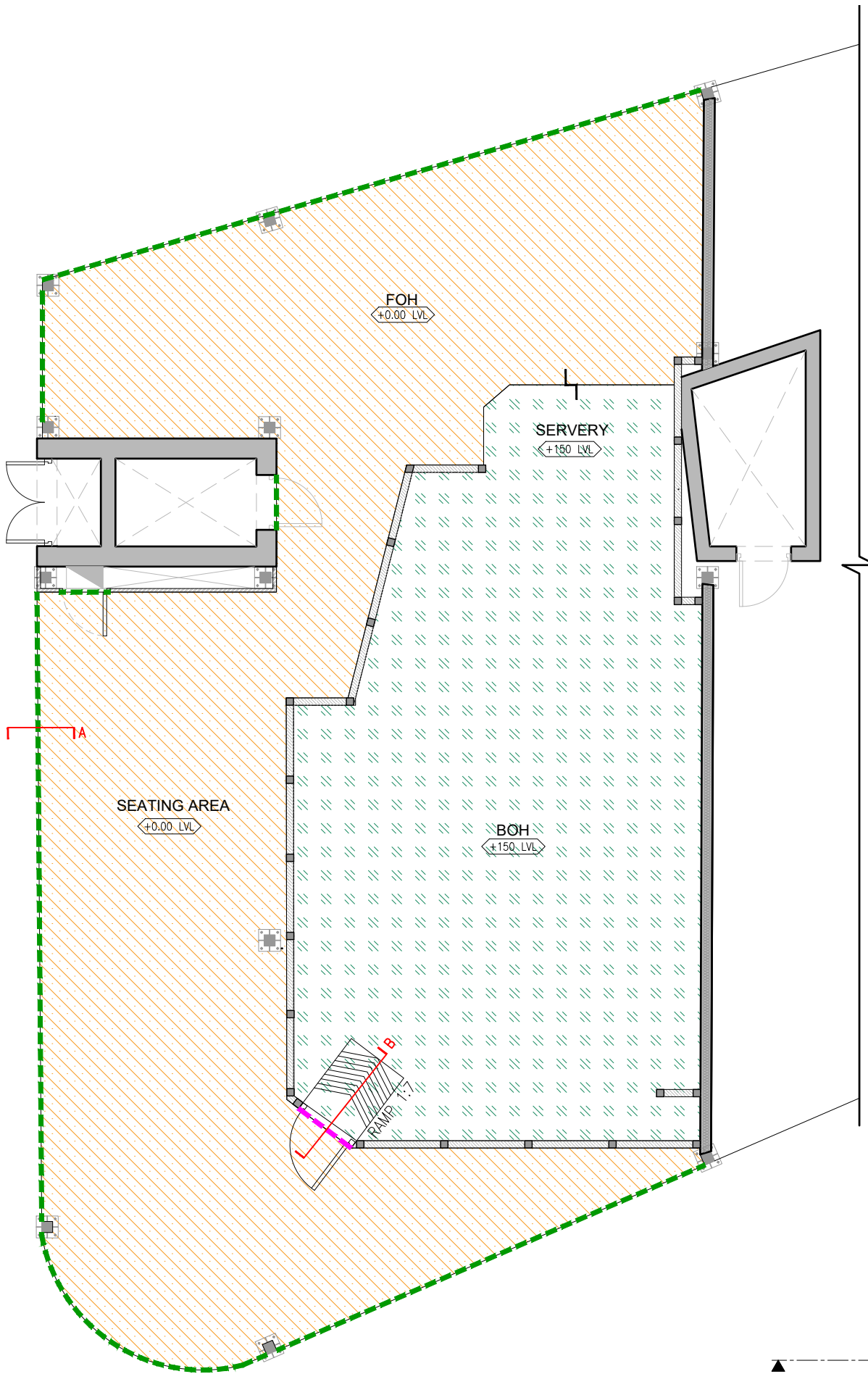
DRAWING TITLE  
**WALL FINISHES PLAN**

SCALE	DATE	DRAWN HOD	A3 SHEET
1:75	18.04.2024		

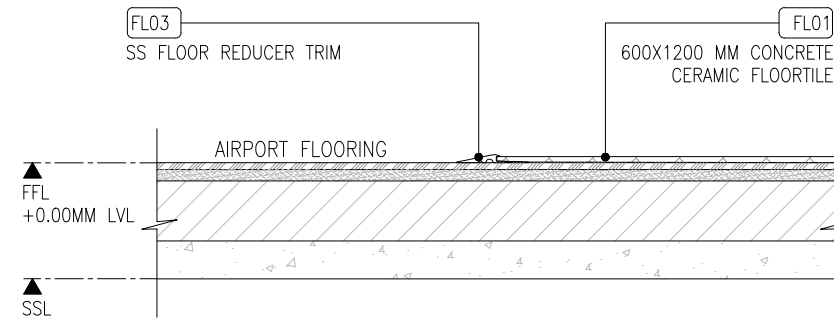
STATUS  
**TENDER**

ORG	PROJECT NO	DRAWING TYPE	NUMBER	REV
TFS	0000	02GA	102	T01

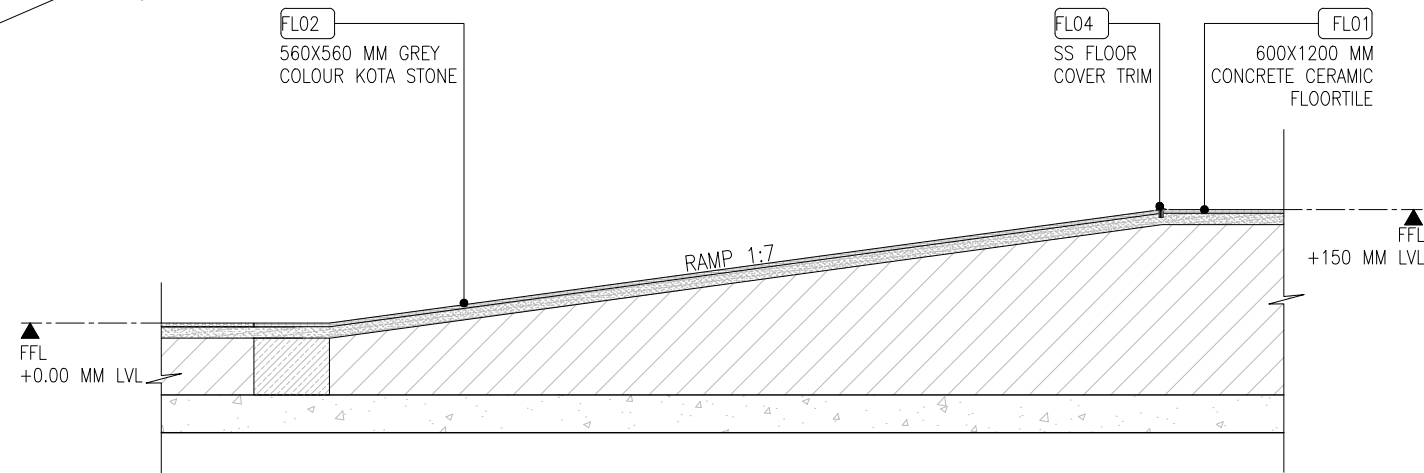




FLOORING LEGEND			
PATTERN	CODE	DESCRIPTION	AREA
	FL01	600X1200 MM CONCRETE CERAMIC FLOORTILE	49.31M <sup>2</sup>
	FL02	560X560 MM GREY COLOUR KOTA STONE	77.81M <sup>2</sup>
	FL03	SS FLOOR REDUCER TRIM	-- Mtr
	FL04	SS FLOOR COVER TRIM	-- Mtr



SECTION-A (SCALE 1:10)



SECTION-B(SCALE 1:10)

C01 18.04.24 TENDER HOD NM  
REV DATE DESCRIPTION DRN CHK



PROJECT  
CARLSJR FF018  
GMR INTERNATIONAL  
AIRPORT LIMITED,  
HYDERABAD

DRAWING TITLE  
FLOORING LAYOUT

SCALE 1:75 DATE 18.04.2024 DRAWN HOD A3 SHEET

STATUS  
TENDER

ORG PROJECT NO DRAWING TYPE NUMBER REV  
TFS 0000 02GA 103 T01

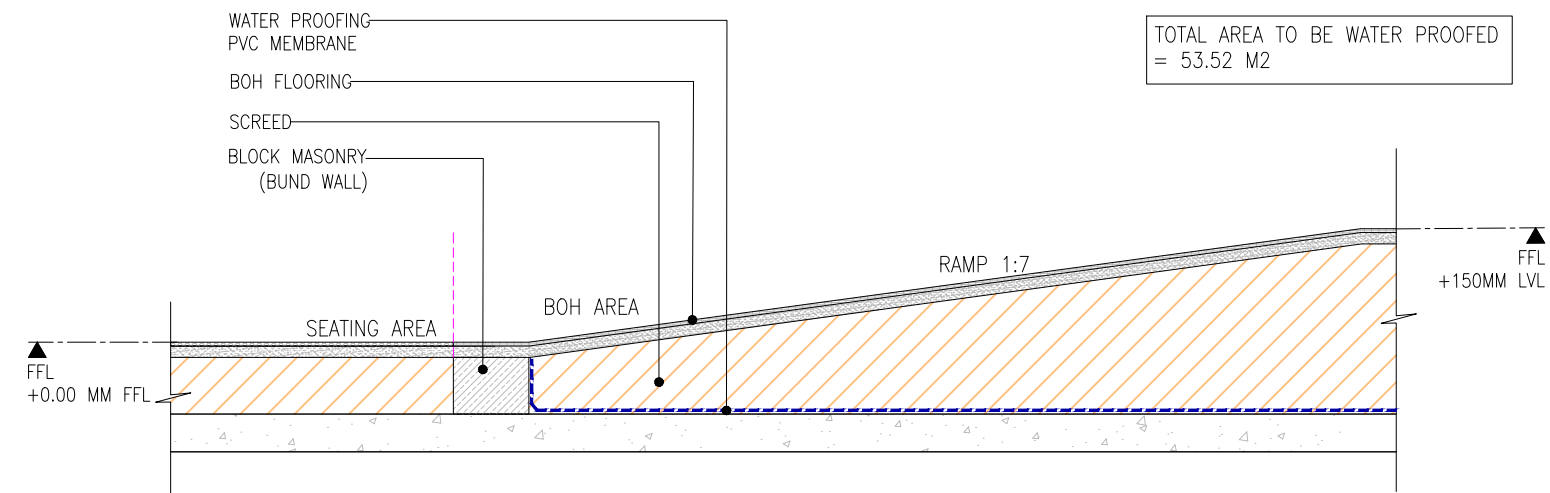
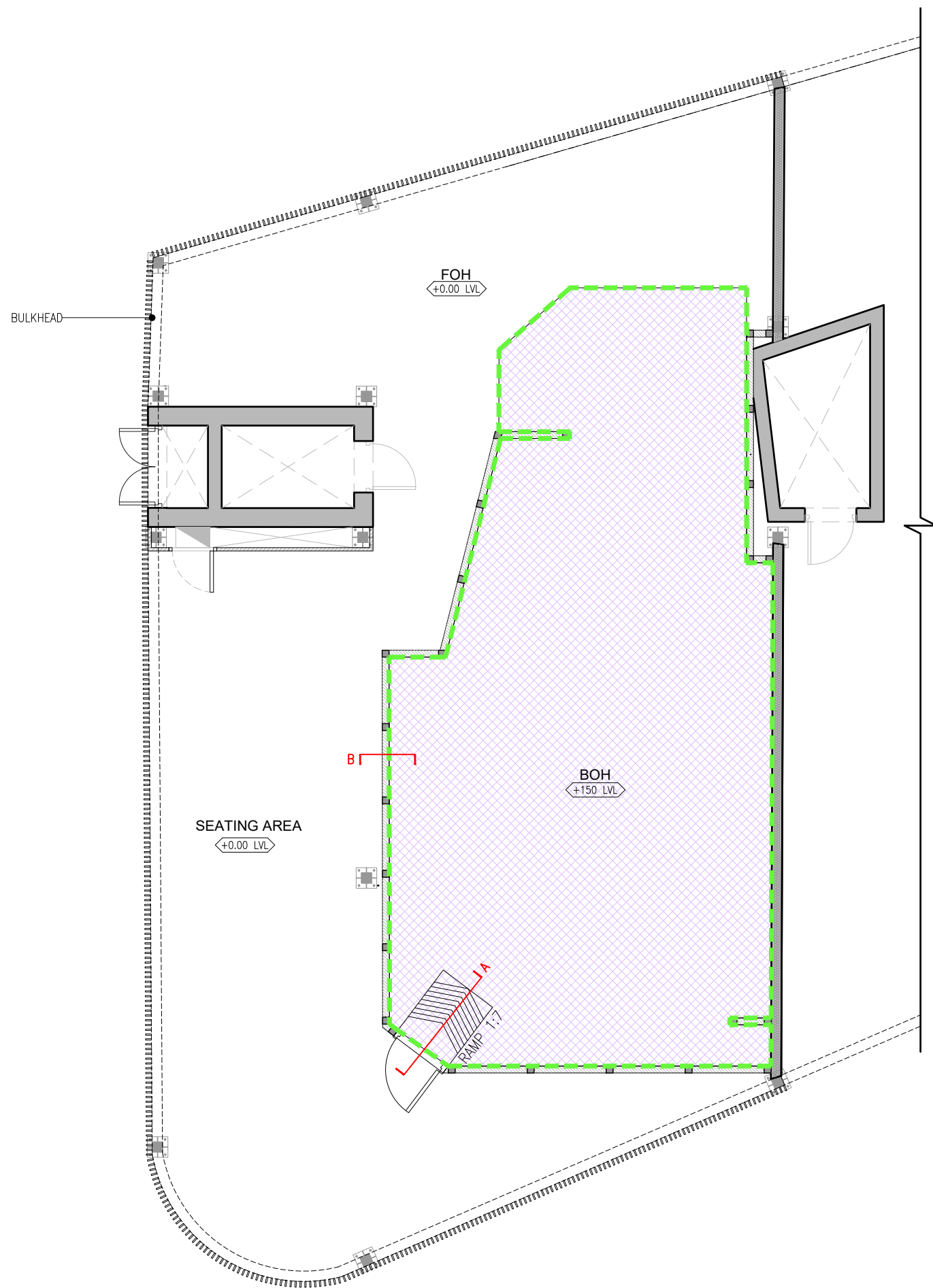
01 FLOORING LAYOUT  
02GA-103 1:75

ALL DIMENSIONS MUST BE CHECKED ON SITE  
INFORM THE ARCHITECT OF ANY DISCREPANCIES PRIOR TO CONSTRUCTION

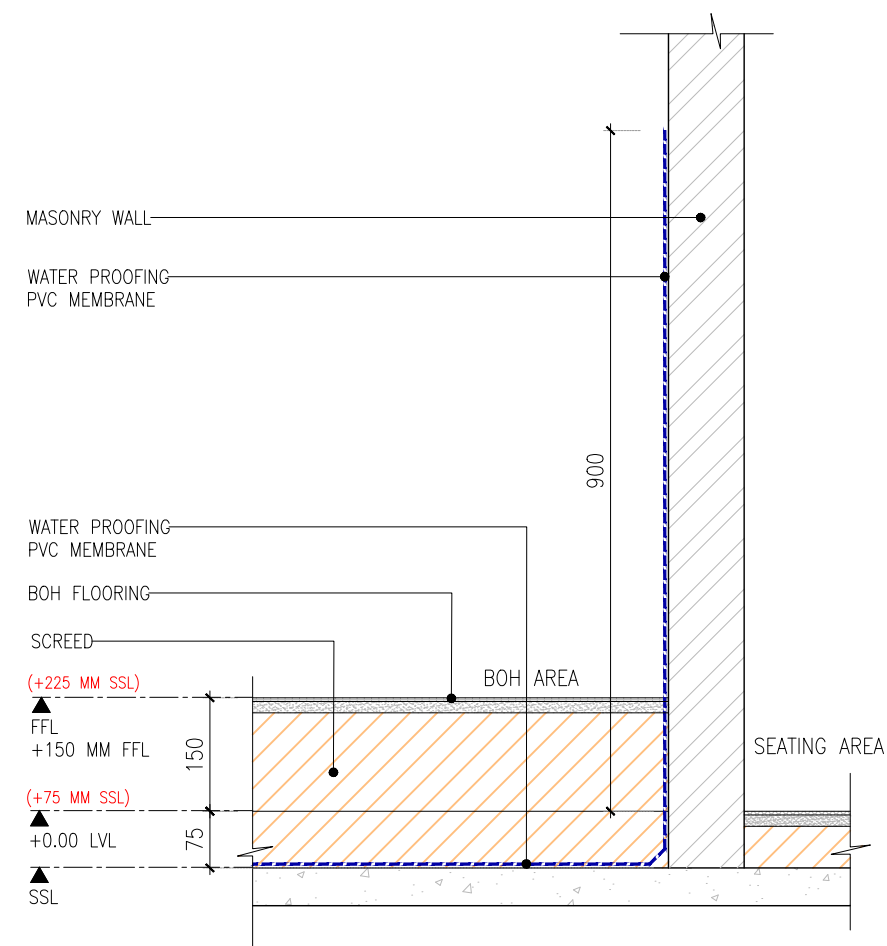
 INDICATES WATERPROOFED AREA

 INDICATES RAISED FLOOR DEMISE

TOTAL AREA TO BE WATER PROOFED  
= 53.52 M2



SECTION-A (SCALE-1:10)



SECTION-B (SCALE-1:10)

C01	18.04.24	TENDER	HOD	NM
REV	DATE	DESCRIPTION	DRN	CHK



PROJECT  
CARLSJR FF018  
GMR INTERNATIONAL  
AIRPORT LIMITED,  
HYDERABAD

DRAWING TITLE  
WATER PROOFING LAYOUT

SCALE 1:75 DATE 18.04.2024 DRAWN HOD A3 SHEET

STATUS  
TENDER

ORG	PROJECT NO	DRAWING TYPE	NUMBER	REV
TFS	0000	02GA	103A	T01

01 WATER PROOFING LAYOUT  
02GA-103A 1:75

**NOTE: REFER MEP DRAWING FOR DETAIL DESIGN**

— INDICATES ACMV FIXTURES

CEILING LEGEND				
PATTERN	CODE	DESCRIPTION	AREA	HEIGHT
	CL01	GYPSUM CEILING	11.49M <sup>2</sup>	+3000MM
	CL02	GYPSUM CEILING	46.56M <sup>2</sup>	+3050MM
	CL03	GRID CEILING ARMSTRONG/EQUIVALENT	46.34M <sup>2</sup>	+2700MM



**01 CEILING LAYOUT & SCHEDULE**  
1:75

C01 02.05.24 TENDER HOD NM  
REV DATE DESCRIPTION DRN CHK



PROJECT  
**CARLSJR FF018**  
**GMR INTERNATIONAL**  
**AIRPORT LIMITED,**  
**HYDERABAD**

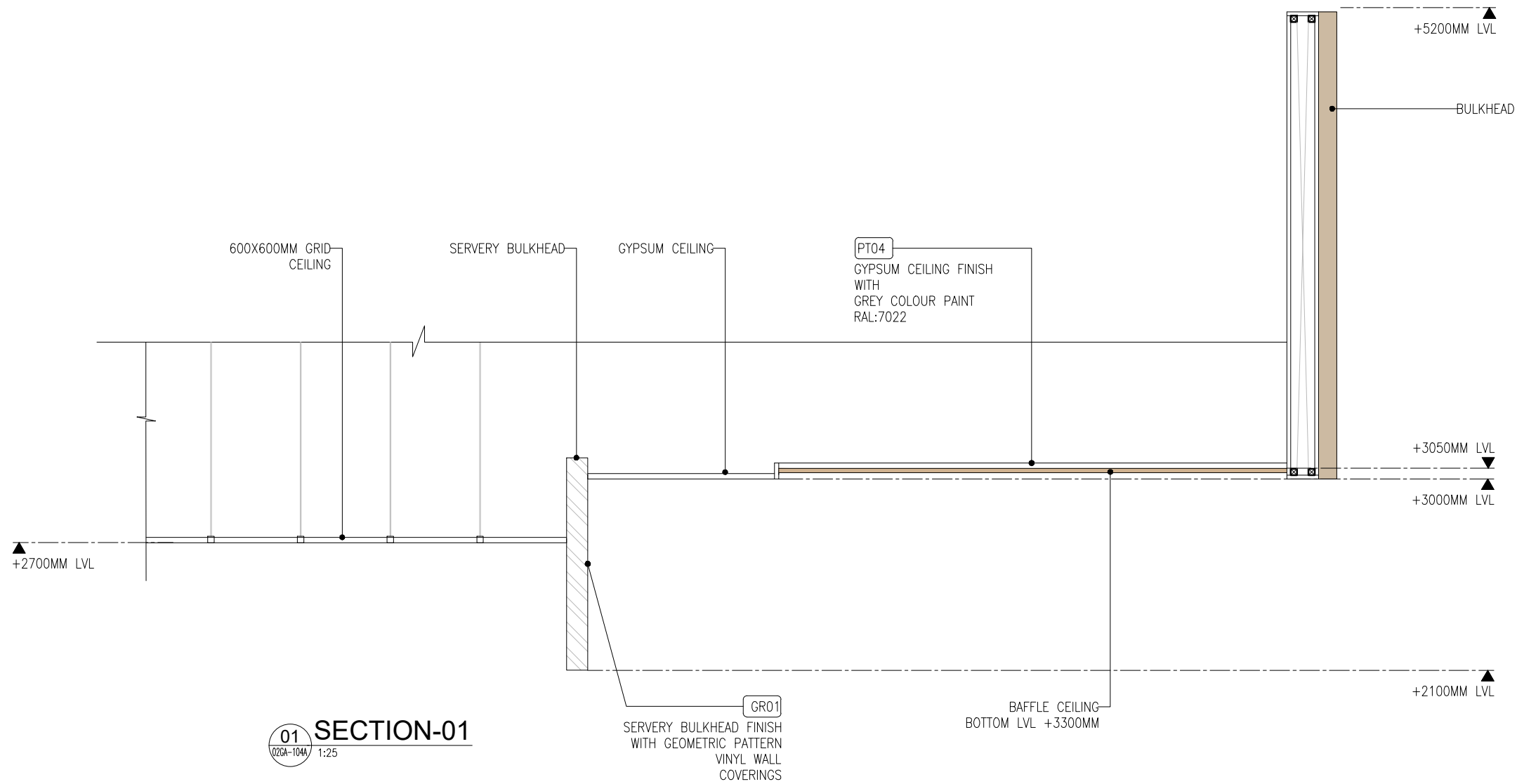
DRAWING TITLE  
**CEILING LAYOUT & SCHEDULE**

SCALE 1:75 DATE 02.05.2024 DRAWN HOD A3 SHEET

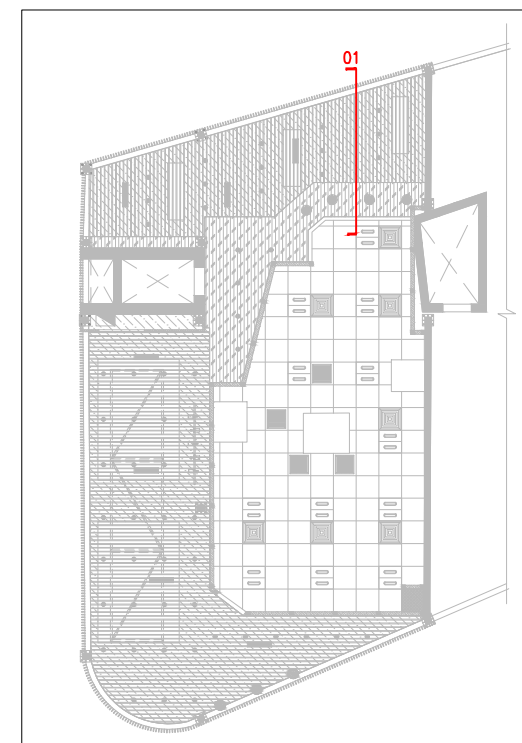
STATUS

**TENDER**

ORG PROJECT NO DRAWING TYPE NUMBER REV  
**TFS 0000 02GA 104 T01**



01 SECTION-01  
02GA-104A 1:25



KEYPLAN

C01	02.05.24	TENDER	HOD	NM
REV	DATE	DESCRIPTION	DRN	CHK



PROJECT  
CARLSJR FF018  
GMR INTERNATIONAL  
AIRPORT LIMITED,  
HYDERABAD

DRAWING TITLE  
CEILING SECTIONAL DETAIL

SCALE 1:25 DATE 02.05.2024 DRAWN HOD A3 SHEET

STATUS  
TENDER

ORG	PROJECT NO	DRAWING TYPE	NUMBER	REV
TFS	0000	02GA	104A	T01

**NOTE:REFER MEP DRAWING  
FOR DETAIL DESIGN**



LIGHTING LEGEND			
CODE	SYMBOL	TYPE	NOS
LT01		CEILING LAMP TEMP:2700K	04
LT02		PENDANT LIGHT TEMP:2700K	03
LT03		DOWNLIGHT LIGHT TEMP:2700K	55
LT04		600X600MM LED PANEL LIGHT TEMP:3000K	12
LT05		TRACK LIGHT LENGTH:2 M FINISH:BLACK	01
		LIGHT TEMP:3000K FINISH:BLACK	05
LT06		LED STRIP LIGHT TEMP:3000K	8 Mtr

**01 LIGHTING LAYOUT & SCHEDULE**  
02GA-104B 1:75

C01 02.05.24 TENDER HOD NM  
REV DATE DESCRIPTION DRN CHK



PROJECT  
**CARLSJR FF018**  
**GMR INTERNATIONAL**  
**AIRPORT LIMITED,**  
**HYDERABAD**

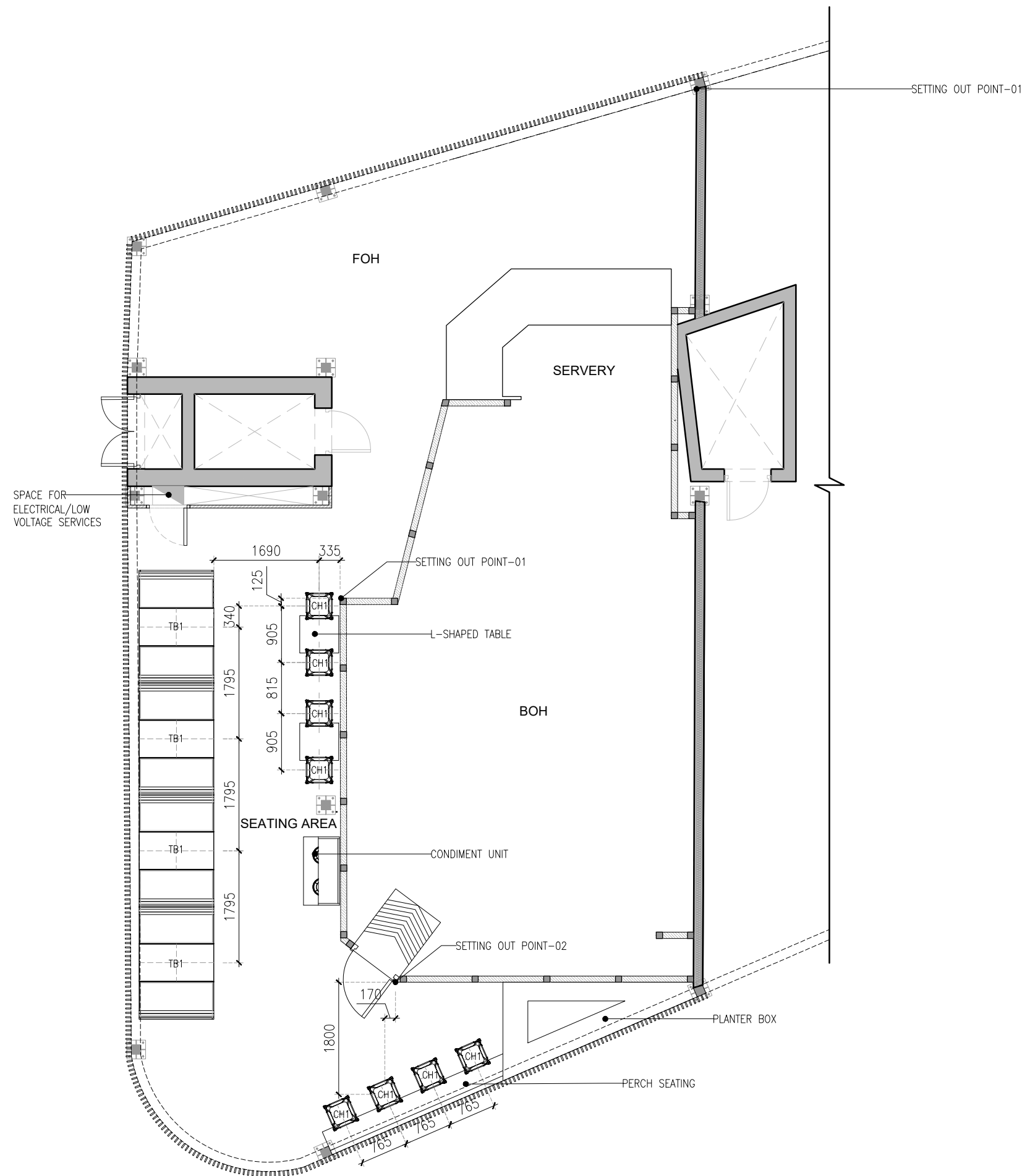
DRAWING TITLE  
**LIGHTING LAYOUT & SCHEDULE**

SCALE 1:75 DATE 02.05.2024 DRAWN HOD A3 SHEET

STATUS

**TENDER**

ORG PROJECT NO DRAWING TYPE NUMBER REV  
**TFS 0000 02GA 104B T01**



FURNITURE LEGEND		
CODE	DESCRIPTION	COUNT
TB1	RECTANGULAR TABLE-01	04
CH1	HIGH CHAIR 01	08

REV	DATE	DESCRIPTION	HOD	DRN	CHK
C01	18.04.24	TENDER			



PROJECT  
**CARLSJR FF018**  
**GMR INTERNATIONAL**  
**AIRPORT LIMITED,**  
**HYDERABAD**

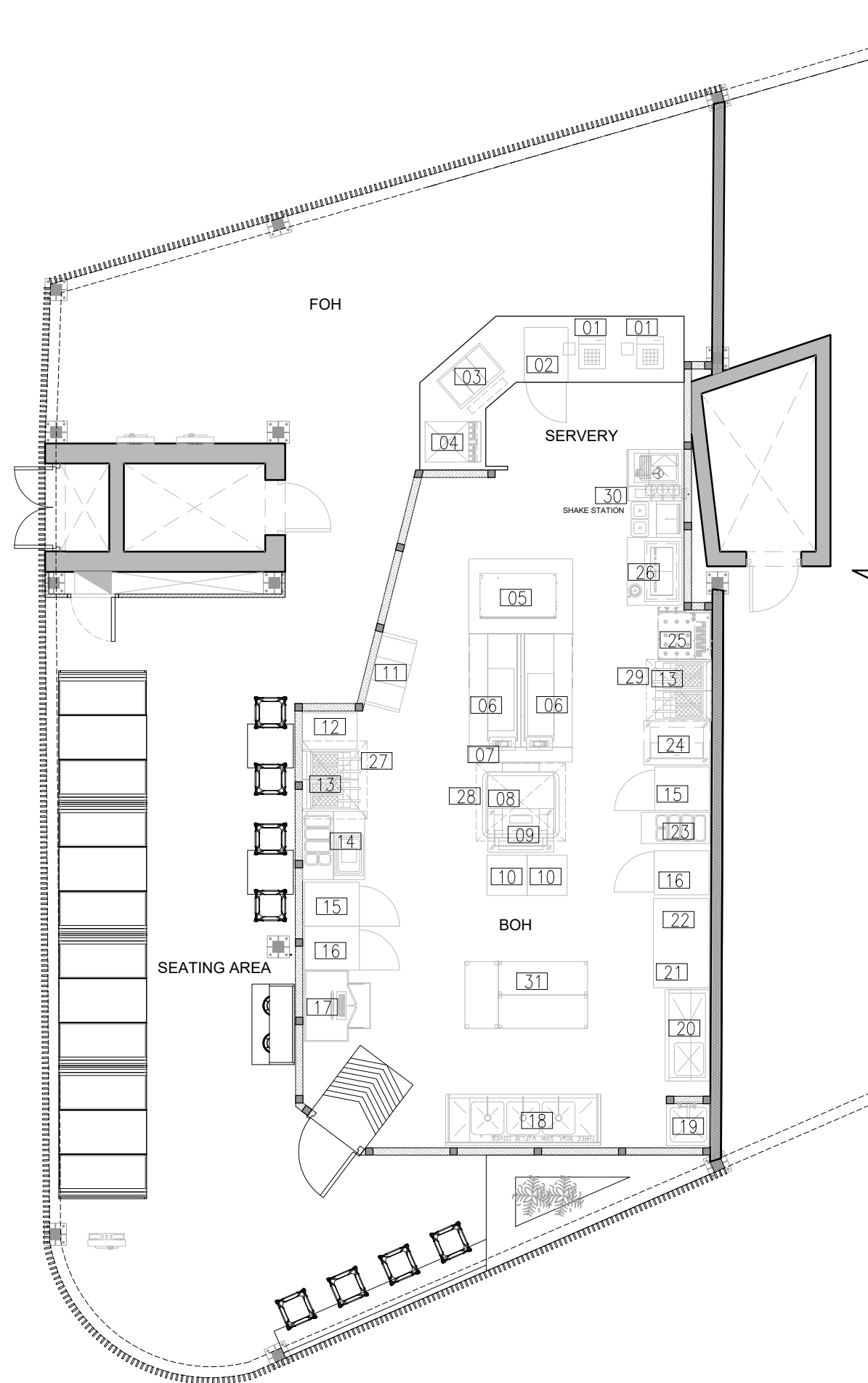
DRAWING TITLE  
**FURNITURE SETTING OUT PLAN**

**01 FURNITURE SETTING OUT PLAN**  
 02GA-105 1:75

SCALE 1:75 DATE 18.04.2024 DRAWN HOD A3 SHEET

STATUS  
**TENDER**

ORG	PROJECT NO	DRAWING TYPE	NUMBER	REV
TFS	0000	02GA	105	T01



01 EQUIPMENT LAYOUT  
02GA-106 1:75

EQUIPMENT LEGEND		
CODE	DESCRIPTION	QTY PER UNIT
01	POS	2
02	UNDER COUNTER COOLER(BOTTLED DRINKS)	1
03	ORDER READY STATUS SCREEN	3
04	ICE MACHINE SELF SERVICE	1
05	2-TIER PREP FRONT COUNTER TRANSFER TABLE	1
06	PHU	2
07	BUN LANDING TABLE	1
08	BROILER	1
09	MOBILE FREEZER	1
10	BUN RACK	2
11	BAG-IN-BOX	1
12	WORK TABLE	2
13	2-VAT FRYER	2
14	TENDER BREADER	1
15	UPRIGHT FREEZER	2
16	UPRIGHT COOLER	2
17	MANAGER DESK	1
18	BOWL SINK W/FLIP COVER	3
19	MOP SINK	1
20	PREP SINK	1
21	PREP TABLE	1
22	PROPOSED LOCATION OF GLASS WASHER	1
23	BRACKET TENDER	1
24	FRY RACK UNDER COUNTER FREEZER	1
25	FRY DUMP	1
26	DROP-IN ICE CREAM FREEZER	1
27	HOOD-01	1
28	HOOD-02	1
29	HOOD-03	1
30	SHAKE STATION	1
31	SHELVING	1

C01 18.04.24 TENDER HOD NM  
REV DATE DESCRIPTION DRN CHK



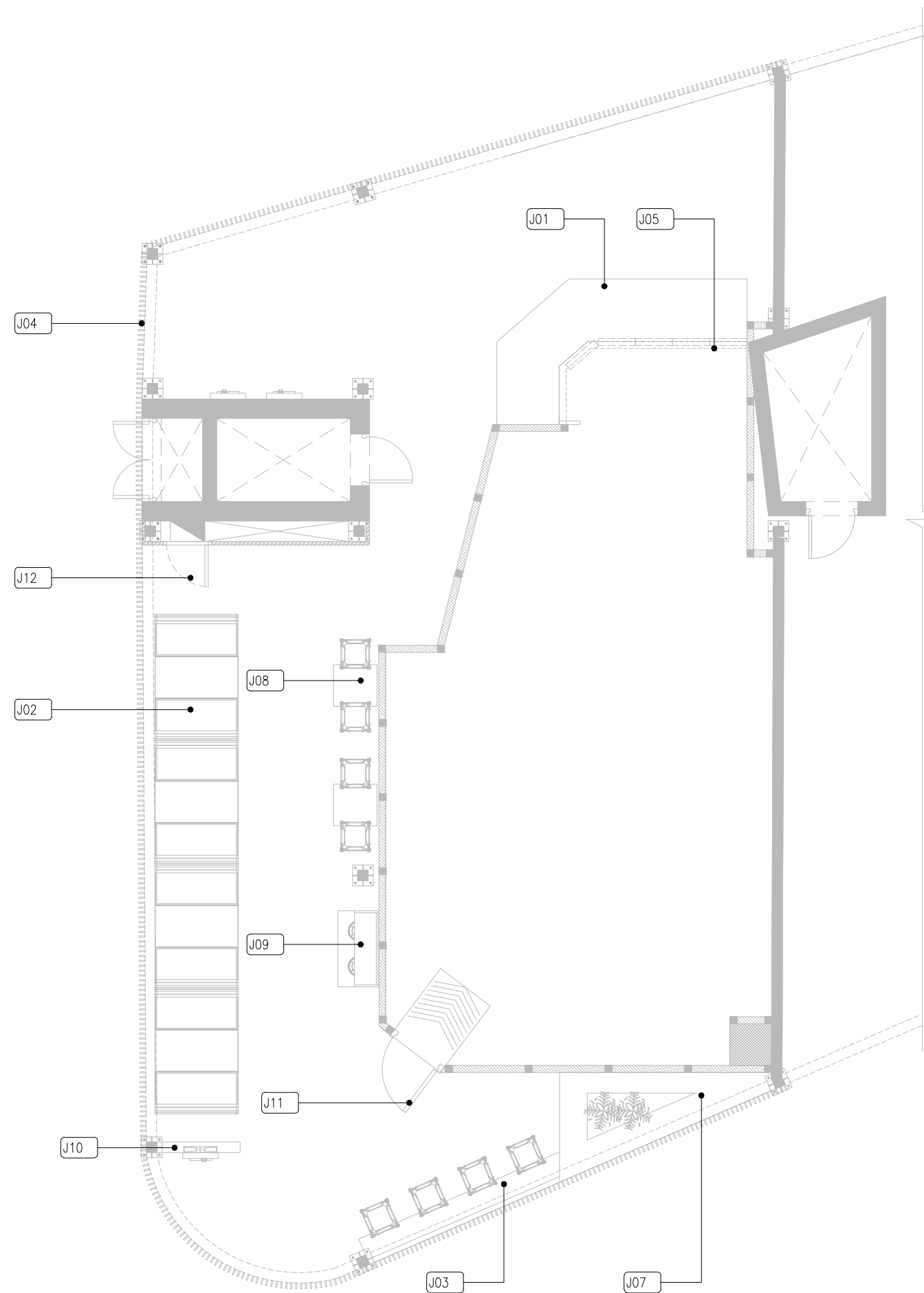
PROJECT  
CARLSJR FF018  
GMR INTERNATIONAL  
AIRPORT LIMITED,  
HYDERABAD

DRAWING TITLE  
EQUIPMENT LAYOUT

SCALE 1:75 DATE 18.04.2024 DRAWN HOD A3 SHEET

STATUS  
TENDER

ORG PROJECT NO DRAWING TYPE NUMBER REV  
TFS 0000 02GA 106 T01



DETAIL DRAWING LEGEND					
ITEM	DESCRIPTION	QTY	WIDTH	DEPTH	HEIGHT
J01	FRONT COUNTER	1	3615mm	2095mm	900mm
J02	BOOTH SEAT	5	1200mm	1195mm	1000mm
J03	PERCH TABLE	1	3160mm	1300mm	1000mm
J04	BULKHEAD	1	17730mm	9245mm	2200mm
J05	SERVERY BULKHEAD	1	2710mm	1195mm	440mm
J06	CEILING ELEMENT	1	7200mm	1400mm	50mm
J07	PLANTER BOX	1	3120mm	1585mm	450mm
J08	L SHAPED 2 TOP HIGH TABLE	2	600mm	650mm	950mm
J09	CONDIMENT UNIT	1	1095mm	580mm	810mm
J10	ORDER STATION	1	1200mm	150mm	2800mm
J11	DOOR(D1)	1	900mm	100mm	2100mm
J12	ISOLATOR LOUVRE DOOR(LD)	1	700mm	50mm	2100mm

01 **DETAIL DRAWING LEGEND**  
02GA-107 1:75

REV	DATE	DESCRIPTION	HOD	NM
			DRN	CHK



PROJECT  
CARLSJR FF018  
GMR INTERNATIONAL  
AIRPORT LIMITED,  
HYDERABAD

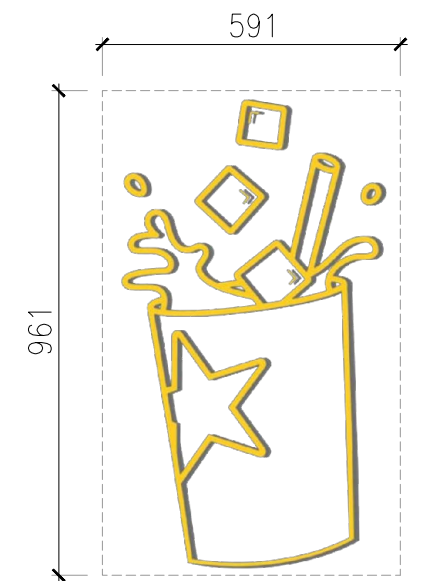
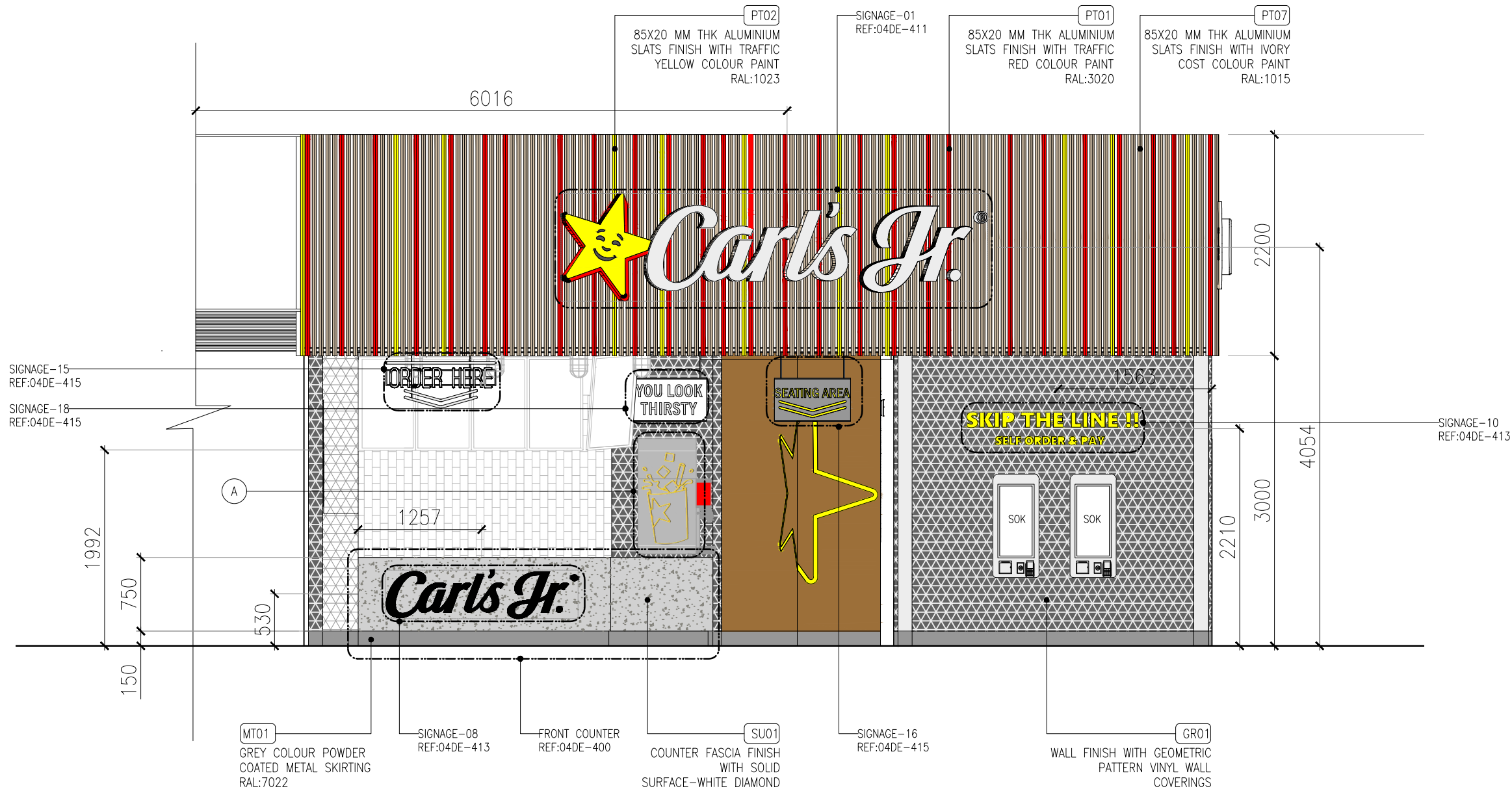
DRAWING TITLE  
RCP+LIGHTING LAYOUT- PART:B

SCALE 1:75 DATE 18.04.2023 DRAWN HOD A3 SHEET

STATUS  
TENDER

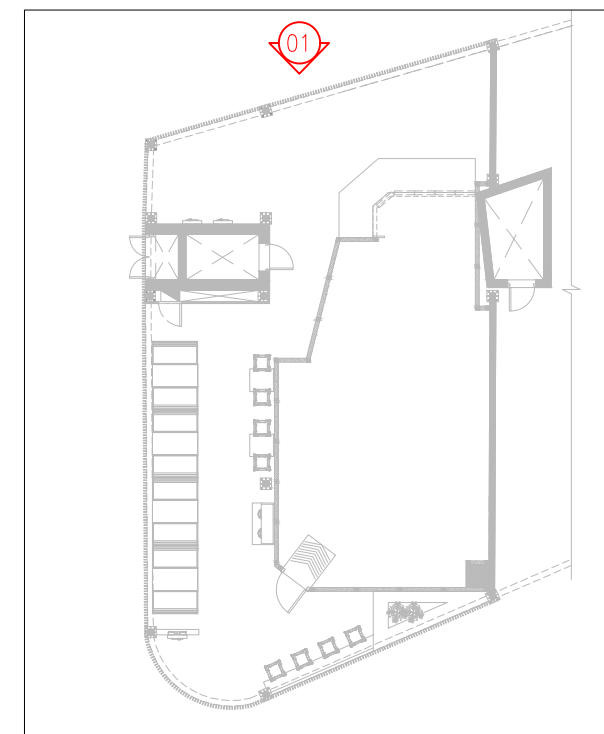
ORG	PROJECT NO	DRAWING TYPE	NUMBER	REV
TFS	0000	02GA	107	T01





DETAIL-A(SCALE 1:15)

01 ELEVATION-01  
03IL-300 1:50



KEYPLAN

C01	18.04.24	TENDER	HOD	NM
REV	DATE	DESCRIPTION	DRN	CHK



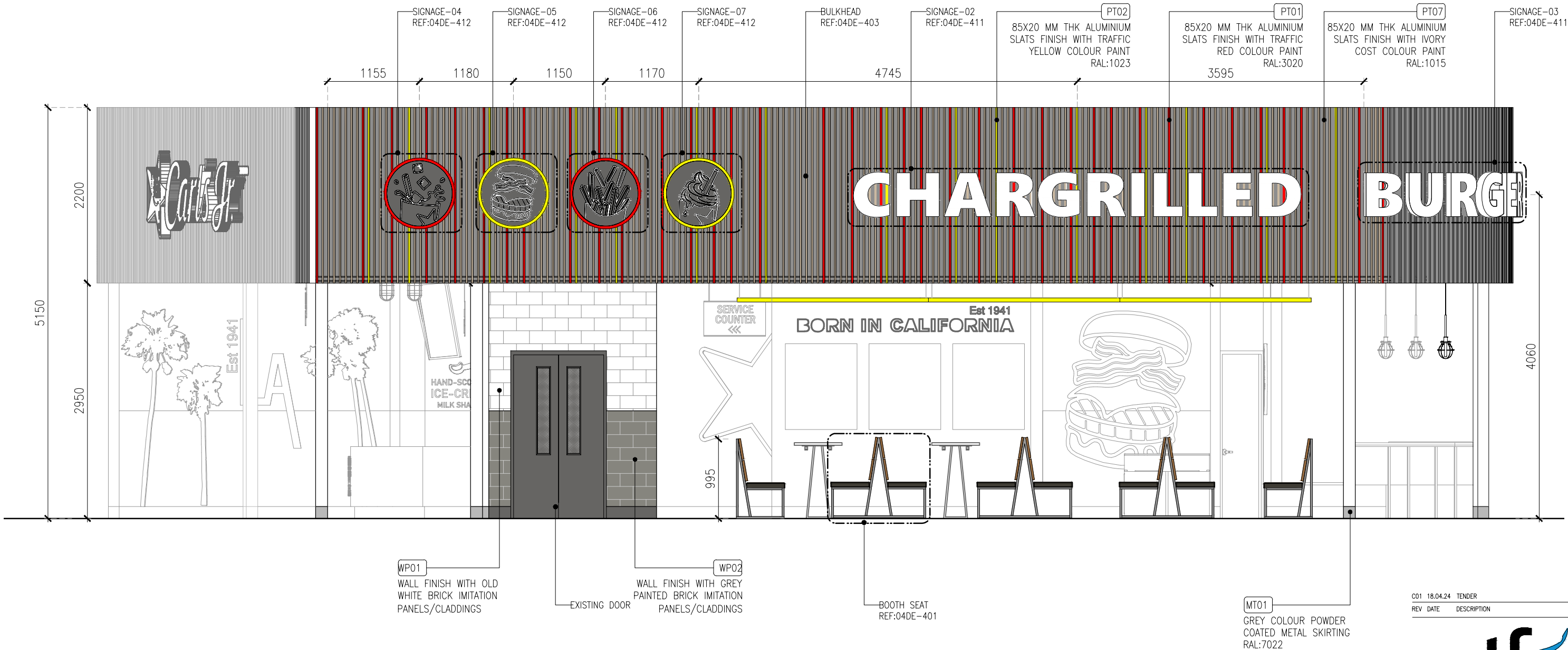
PROJECT  
CARLSJR FF018  
GMR INTERNATIONAL  
AIRPORT LIMITED,  
HYDERABAD

DRAWING TITLE  
ELEVATION-01

SCALE AS MENTIONED DATE 18.04.2024 DRAWN HOD A3 SHEET

STATUS  
TENDER

ORG	PROJECT NO	DRAWING TYPE	NUMBER	REV
TFS	0000	03IL	300	T01



01 ELEVATION-02  
03IL-300 1:50

REV	DATE	DESCRIPTION	HOD	NM	DRN	CHK
C01	18.04.24	TENDER				



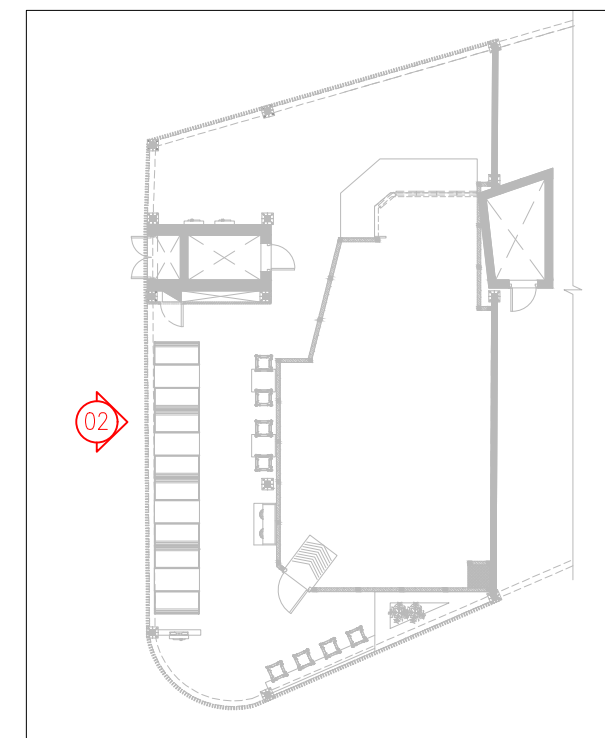
PROJECT  
CARLSJR FF018  
GMR INTERNATIONAL  
AIRPORT LIMITED,  
HYDERABAD

DRAWING TITLE  
ELEVATION-02

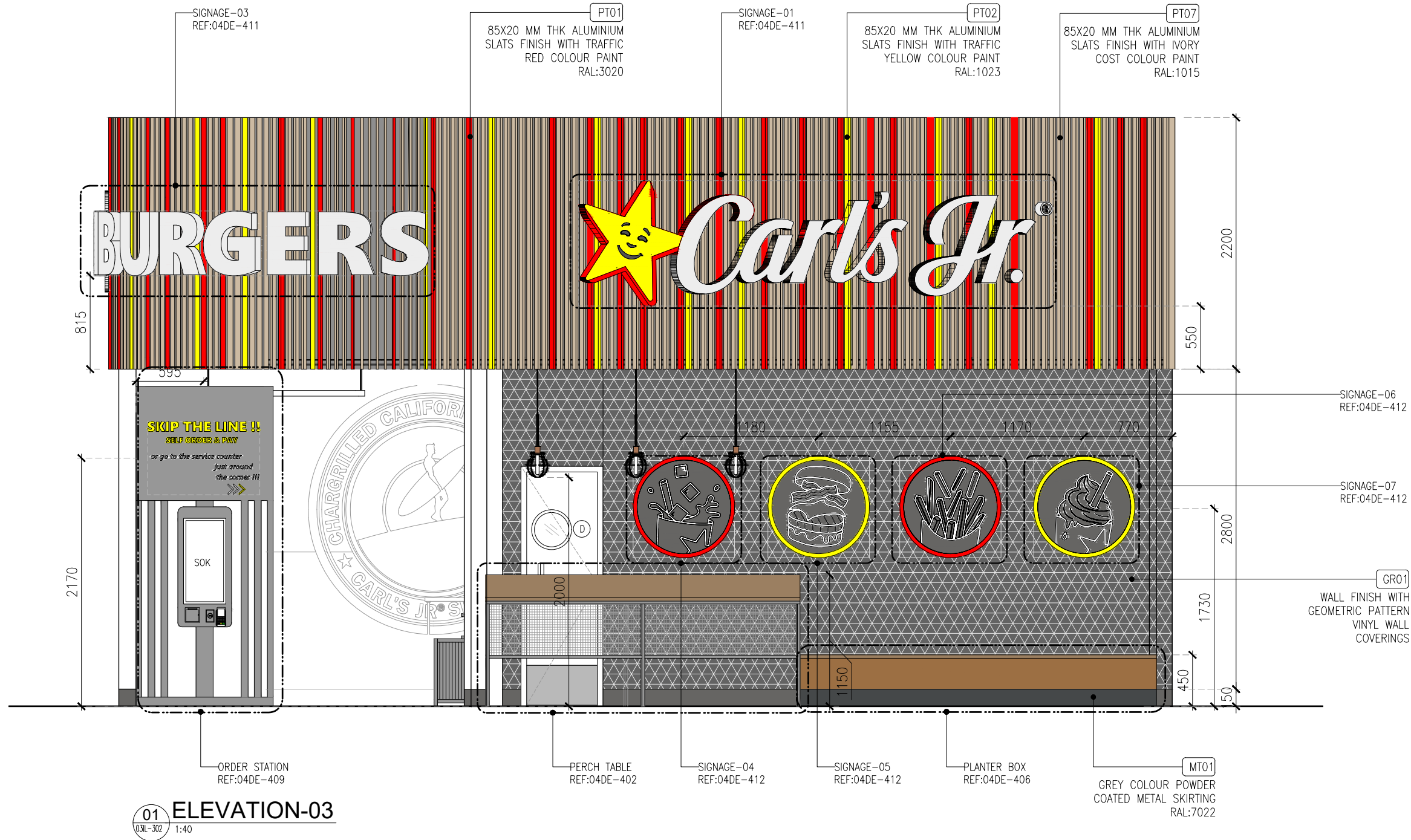
SCALE 1:50 DATE 18.04.2024 DRAWN HOD A3 SHEET

STATUS  
TENDER

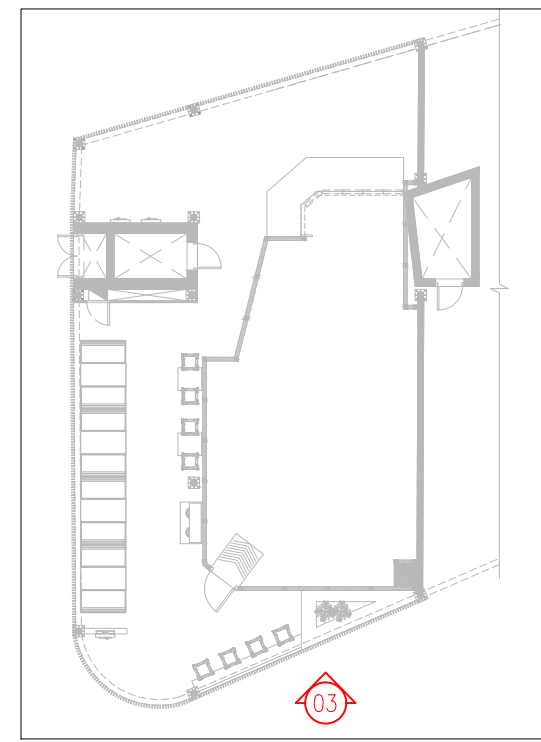
ORG	PROJECT NO	DRAWING TYPE	NUMBER	REV
TFS	0000	03IL	300	T01



KEYPLAN



01 ELEVATION-03  
03IL-302 1:40



KEYPLAN

C01	18.04.24	TENDER	HOD	NM
REV	DATE	DESCRIPTION	DRN	CHK



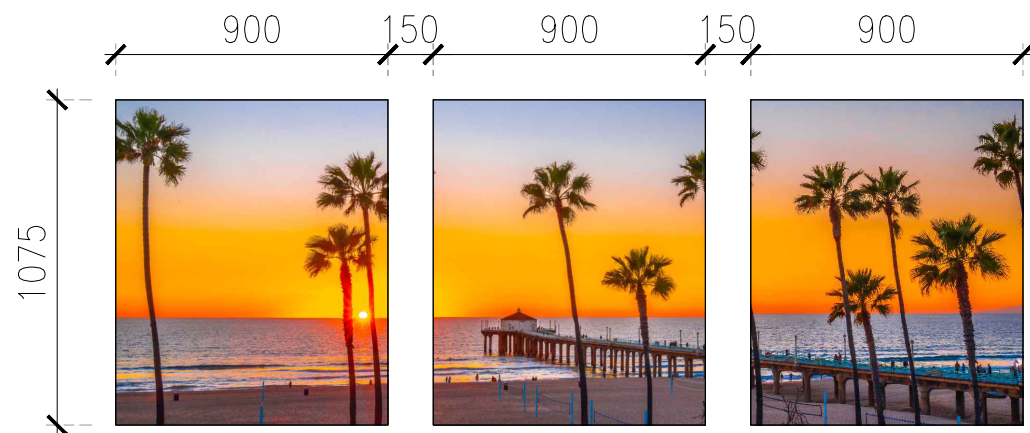
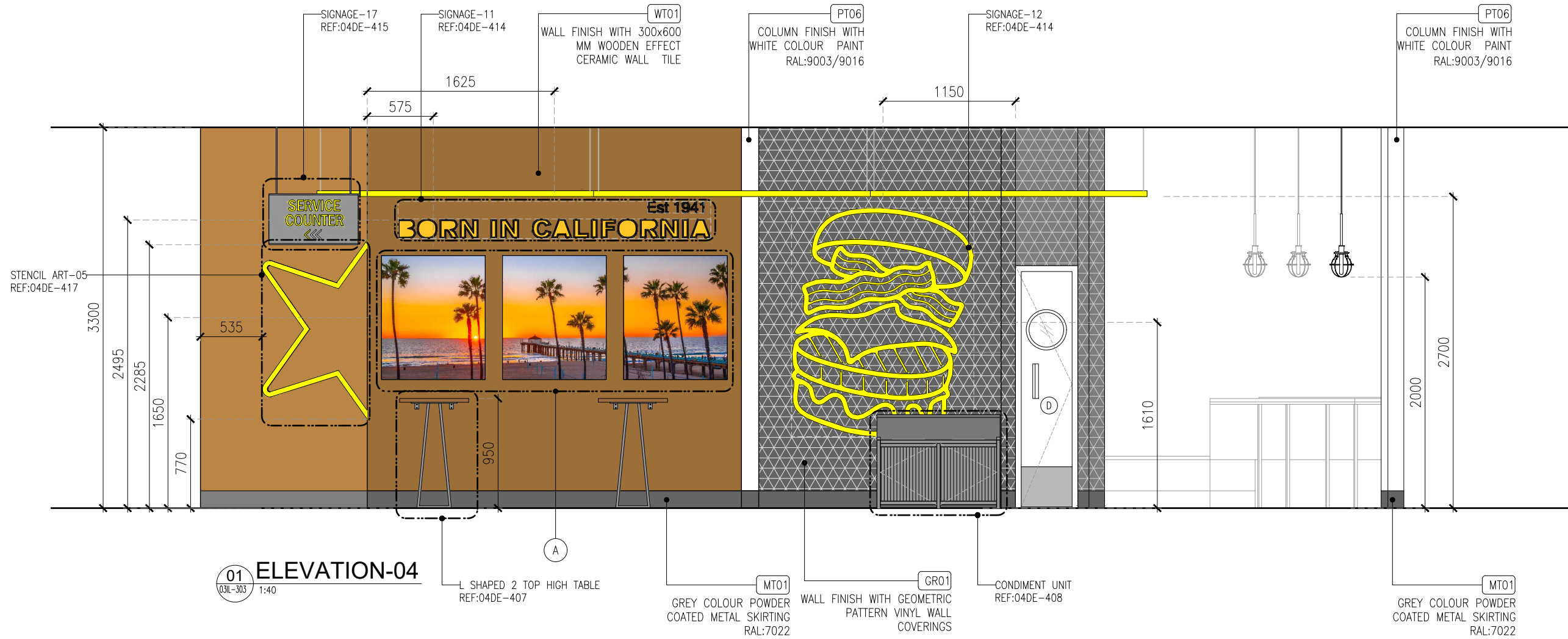
PROJECT  
CARLSJR FF018  
GMR INTERNATIONAL  
AIRPORT LIMITED,  
HYDERABAD

DRAWING TITLE  
ELEVATION-03

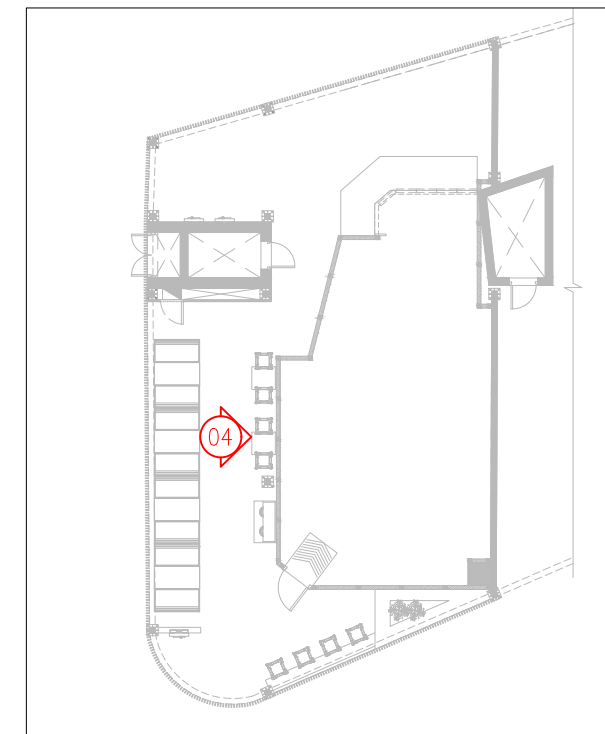
SCALE	DATE	DRAWN	HOD	A3	SHEET
1:50	18.04.2024				

STATUS  
TENDER

ORG	PROJECT NO	DRAWING TYPE	NUMBER	REV
TFS	0000	03IL	302	T01



DETAIL-A(SCALE 1:25)



KEYPLAN

REV	DATE	DESCRIPTION	HOD	NM
C01	18.04.24	TENDER		
			DRN	CHK



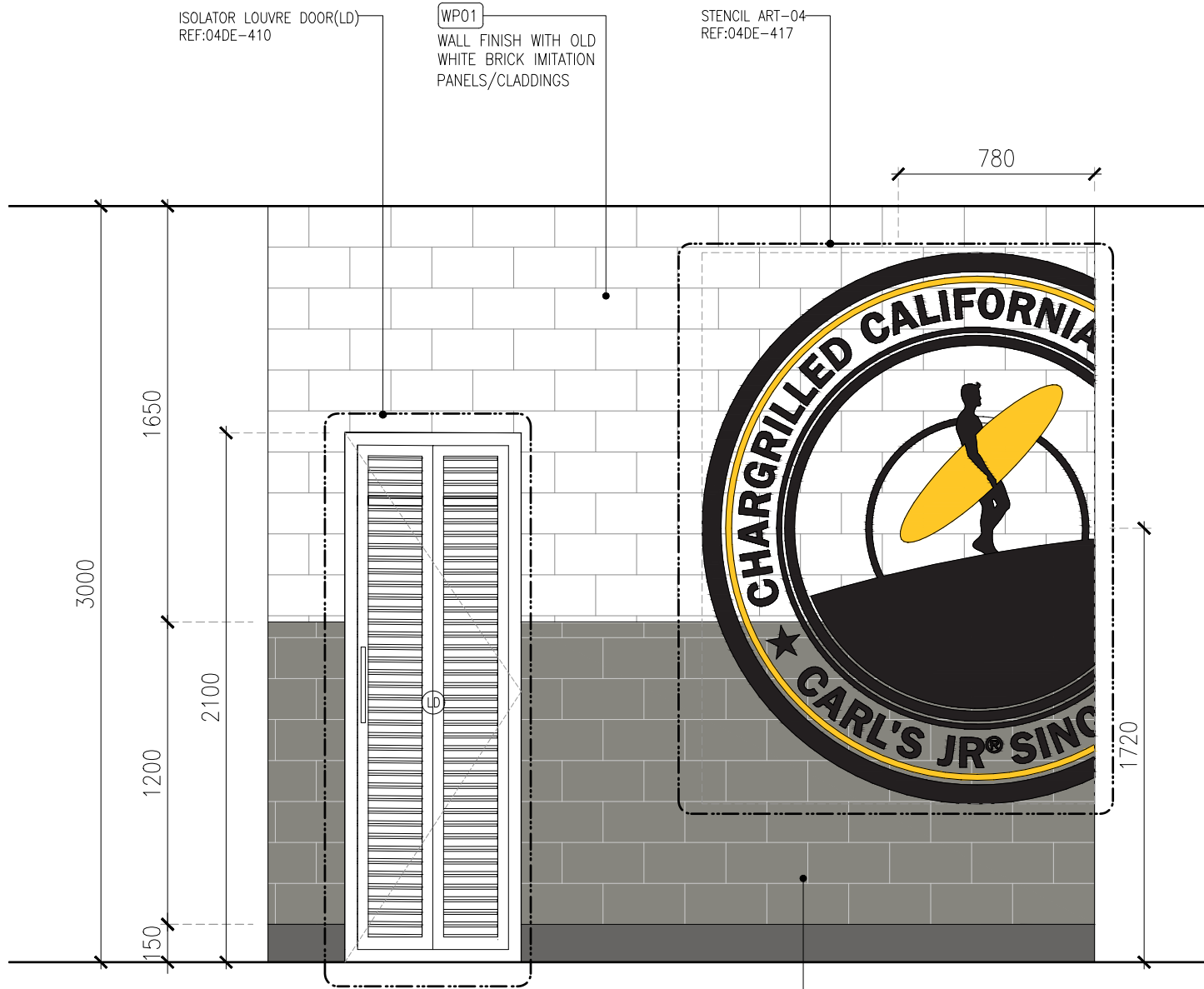
PROJECT  
CARLSJR FF018  
GMR INTERNATIONAL  
AIRPORT LIMITED,  
HYDERABAD

DRAWING TITLE  
ELEVATION-04

SCALE 1:50 DATE 18.04.2024 DRAWN HOD A3 SHEET

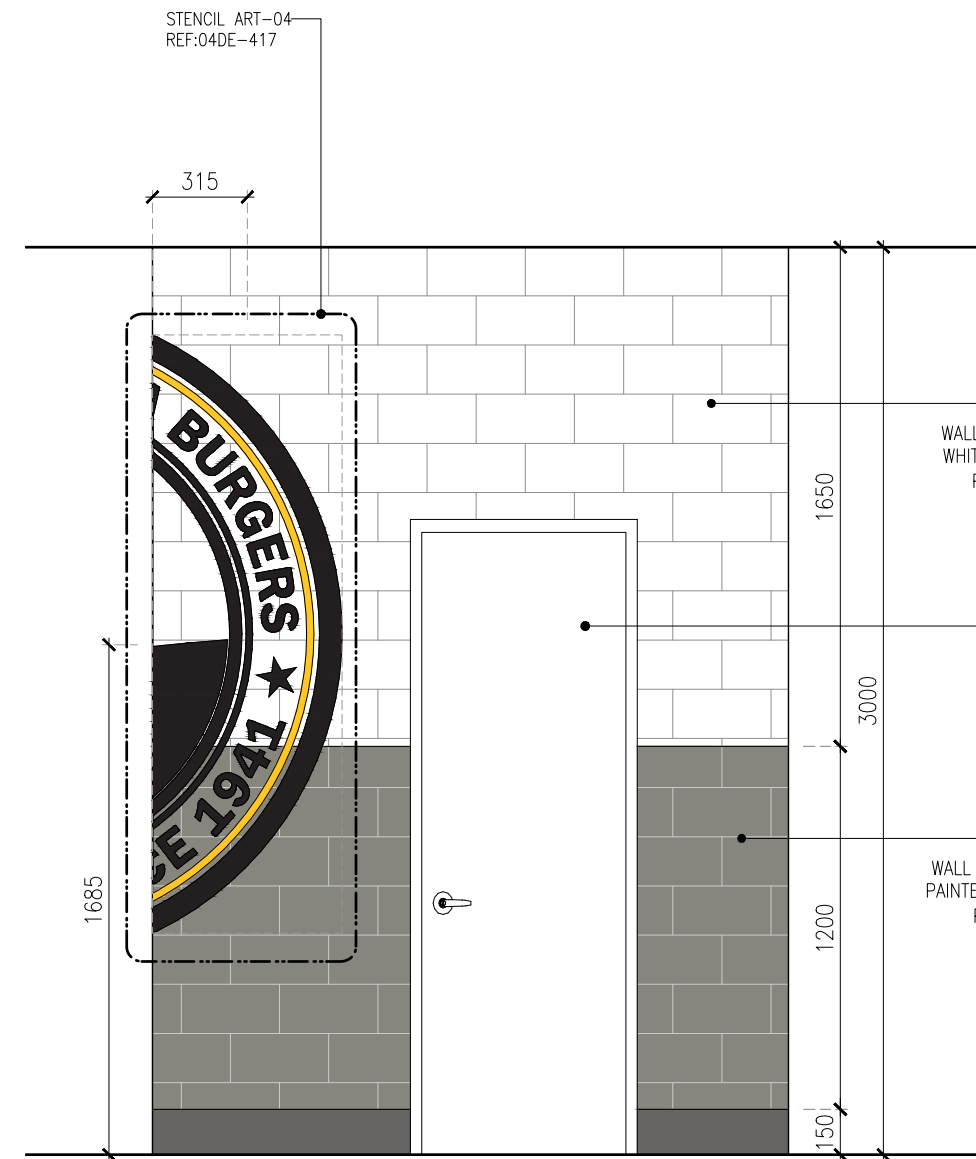
STATUS  
TENDER

ORG	PROJECT NO	DRAWING TYPE	NUMBER	REV
TFS	0000	03IL	303	T01

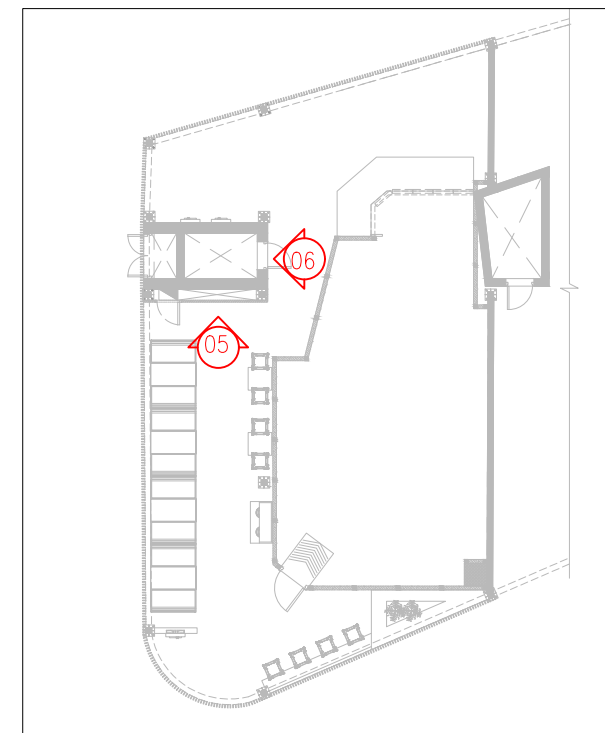


01 ELEVATION-05  
03IL-304 1:25

WP02  
WALL FINISH WITH GREY  
PAINTED BRICK IMITATION  
PANELS/CLADDINGS



02 ELEVATION-06  
03IL-304 1:25



KEYPLAN

C01	18.04.24	TENDER	HOD	NM
REV	DATE	DESCRIPTION	DRN	CHK



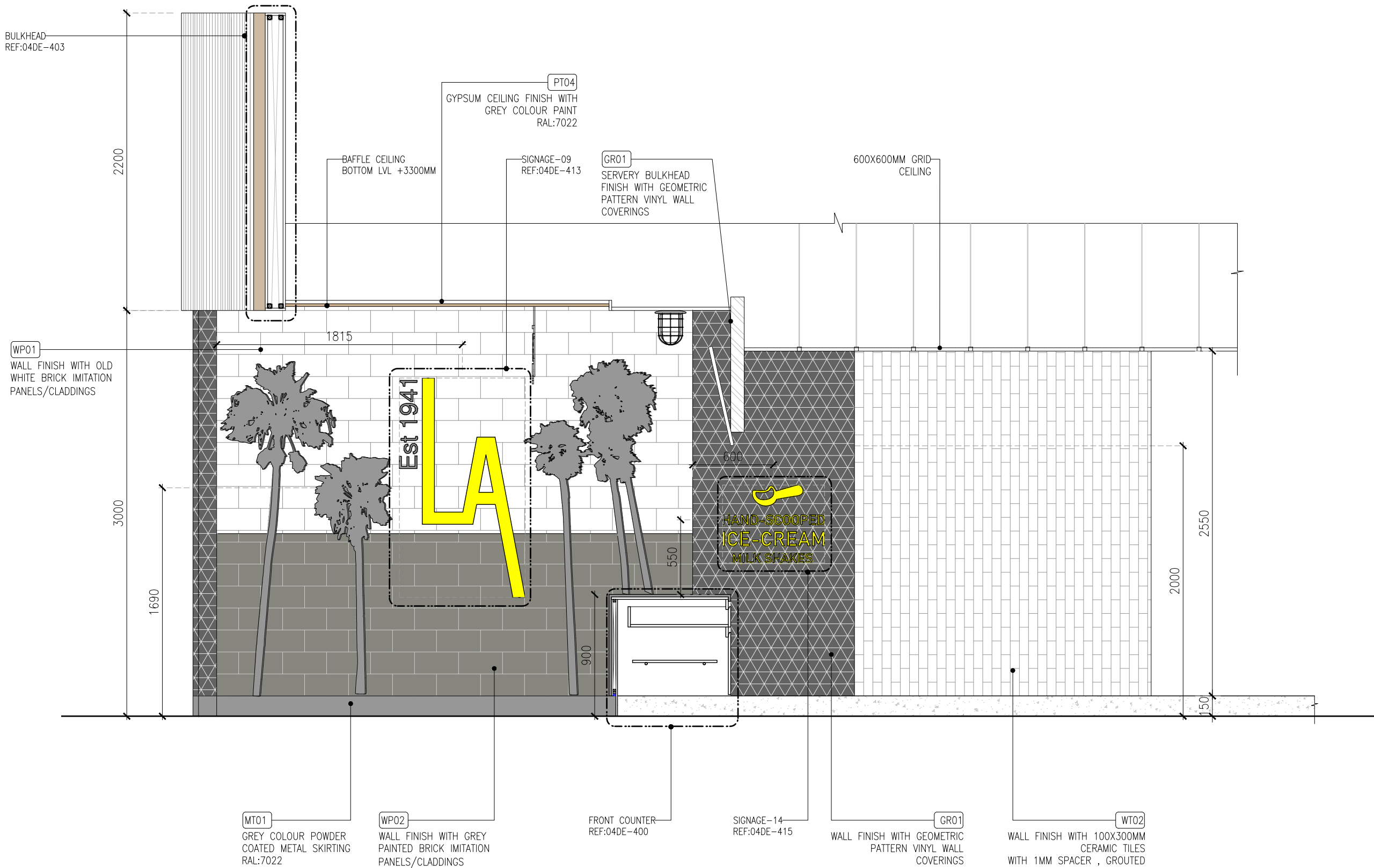
PROJECT  
**CARLSJR FF018**  
**GMR INTERNATIONAL**  
**AIRPORT LIMITED,**  
**HYDERABAD**

DRAWING TITLE  
**ELEVATION-05&ELEVATION-06**

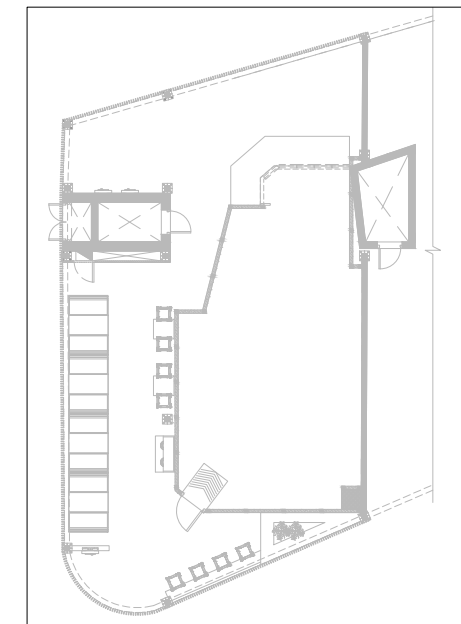
SCALE 1:25 DATE 18.04.2024 DRAWN HOD A3 SHEET

STATUS  
**TENDER**

ORG	PROJECT NO	DRAWING TYPE	NUMBER	REV
TFS	0000	03IL	304	T01



**01 SECTION-01**  
03IL-305 1:30



**KEYPLAN**

C01 18.04.24	TENDER	HOD NM
REV DATE	DESCRIPTION	DRN CHK



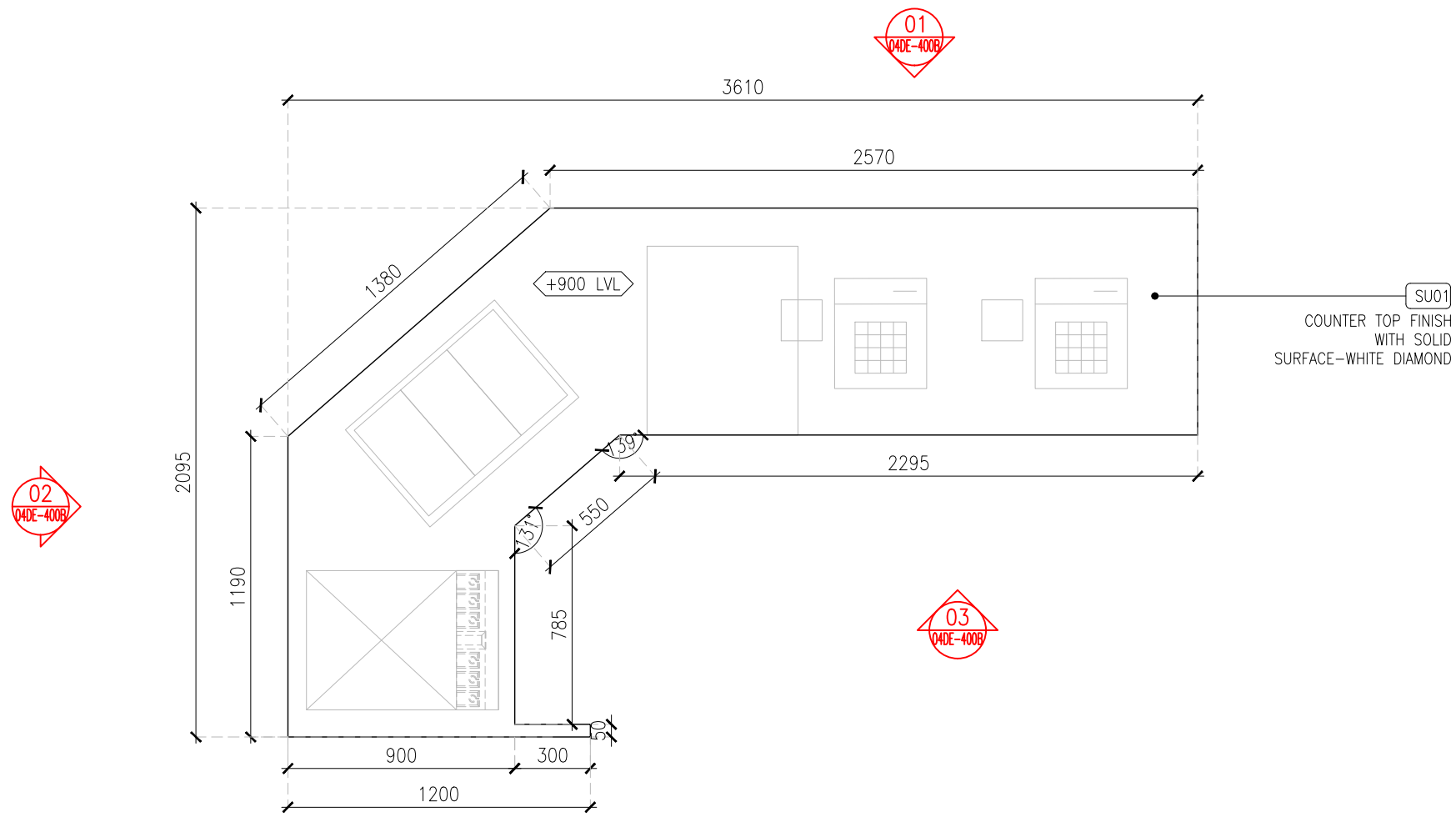
PROJECT  
**CARLSJR FF018**  
**GMR INTERNATIONAL**  
**AIRPORT LIMITED,**  
**HYDERABAD**

DRAWING TITLE  
**ELEVATION-05&ELEVATION-06**

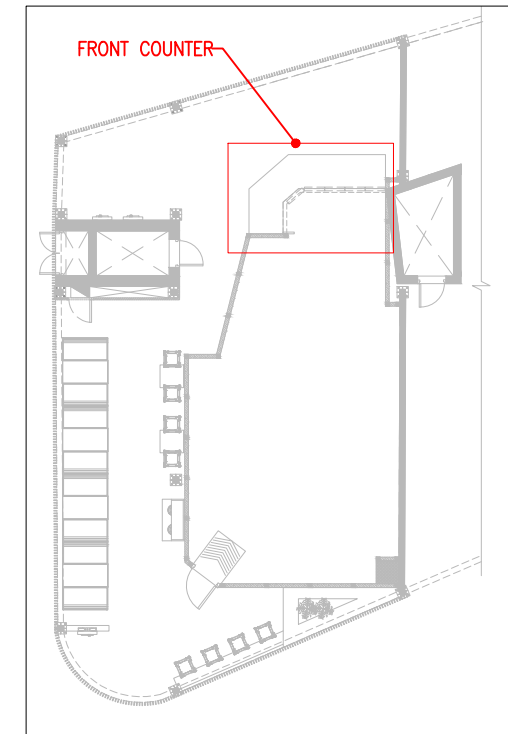
SCALE 1:25 DATE 18.04.2024 DRAWN HOD A3 SHEET

STATUS  
**TENDER**

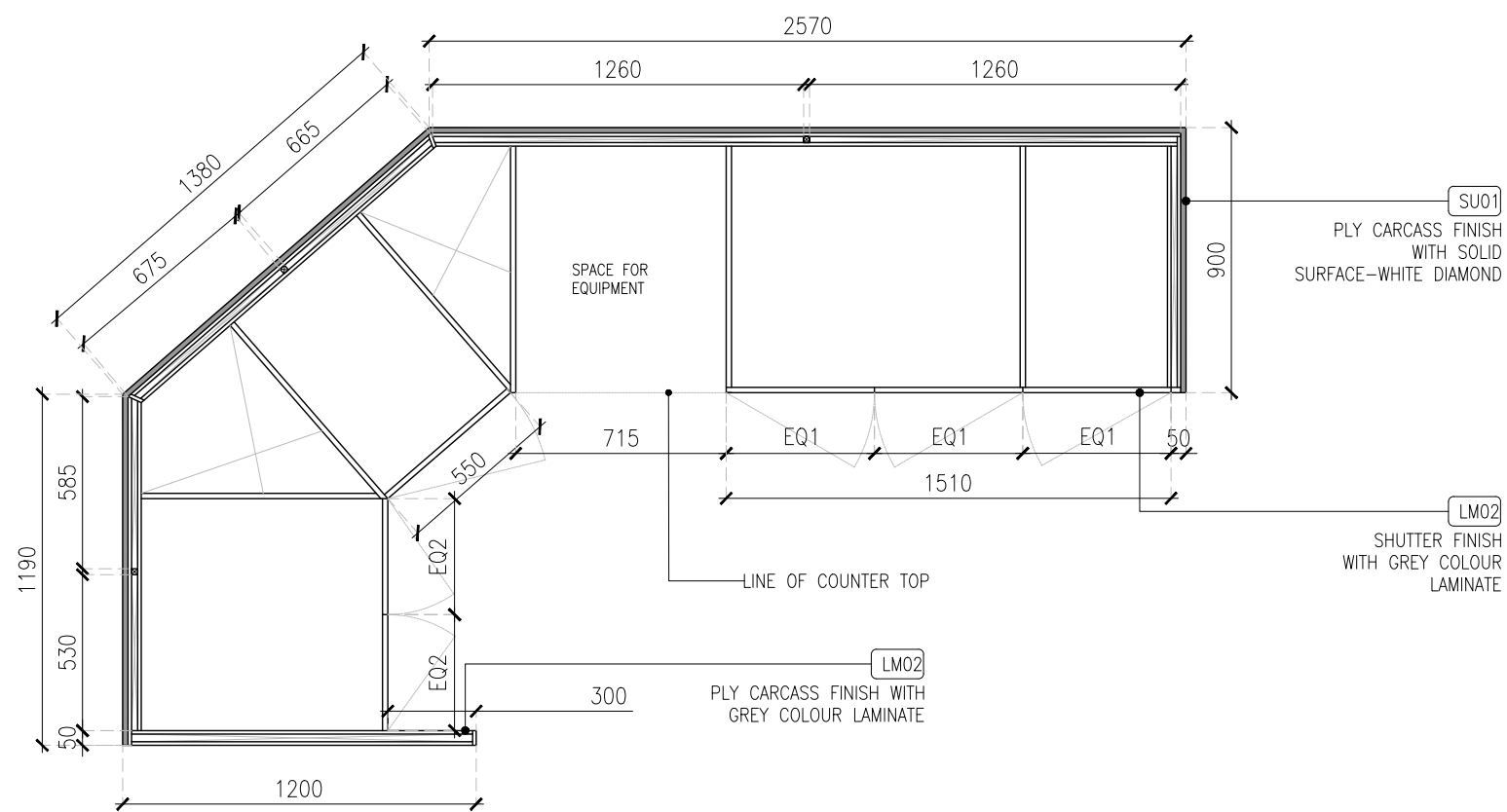
ORG	PROJECT NO	DRAWING TYPE	NUMBER	REV
TFS	0000	03IL	304	T01



TOP PLAN



KEYPLAN



FRAMING PLAN @ 600 MM LVL

C01	18.04.24	TENDER	HOD	NM
REV	DATE	DESCRIPTION	DRN	CHK



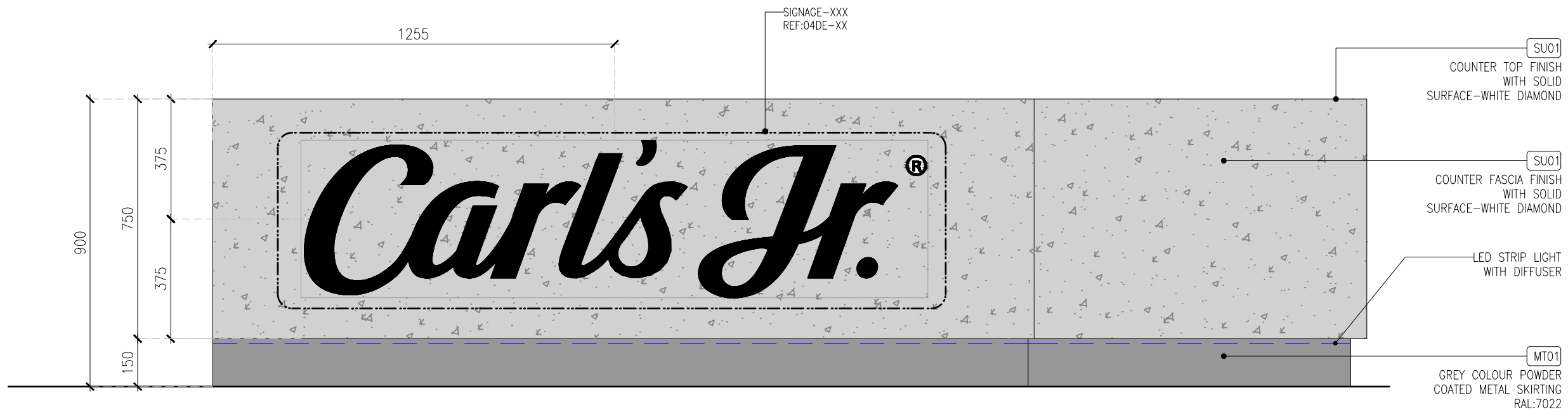
PROJECT  
**CARLSJR FF018**  
**GMR INTERNATIONAL**  
**AIRPORT LIMITED,**  
**HYDERABAD**

DRAWING TITLE  
**J01-FRONT COUNTER DETAIL-PART:A**

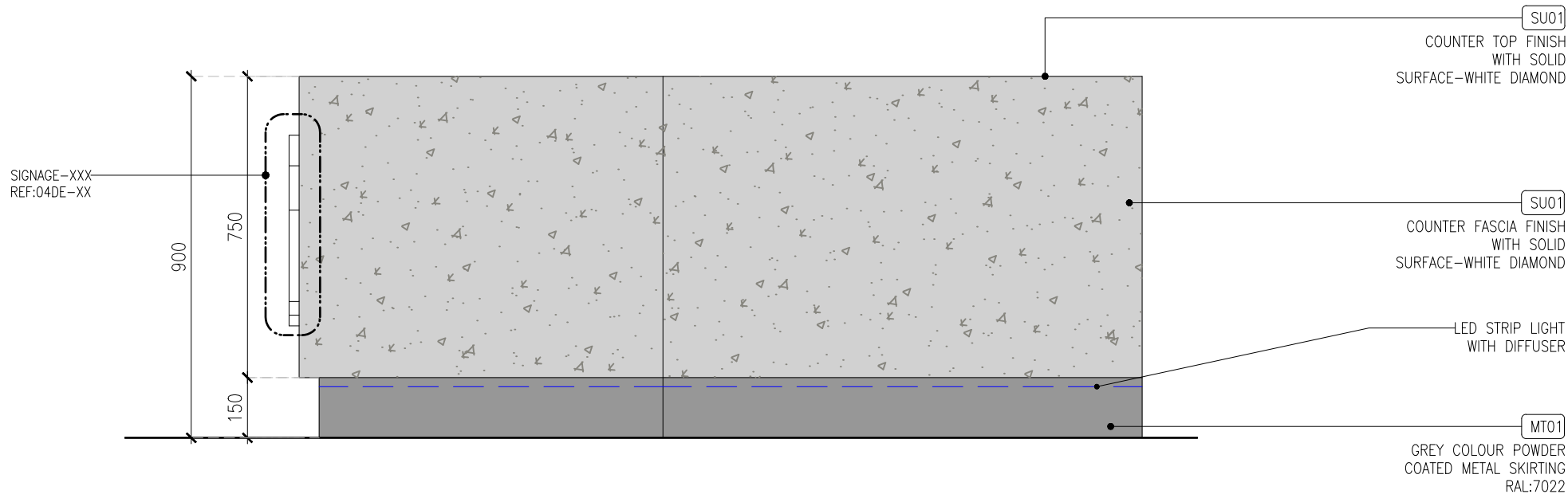
SCALE	DATE	DRAWN	HOD	A3 SHEET
-------	------	-------	-----	----------

STATUS  
**TENDER**

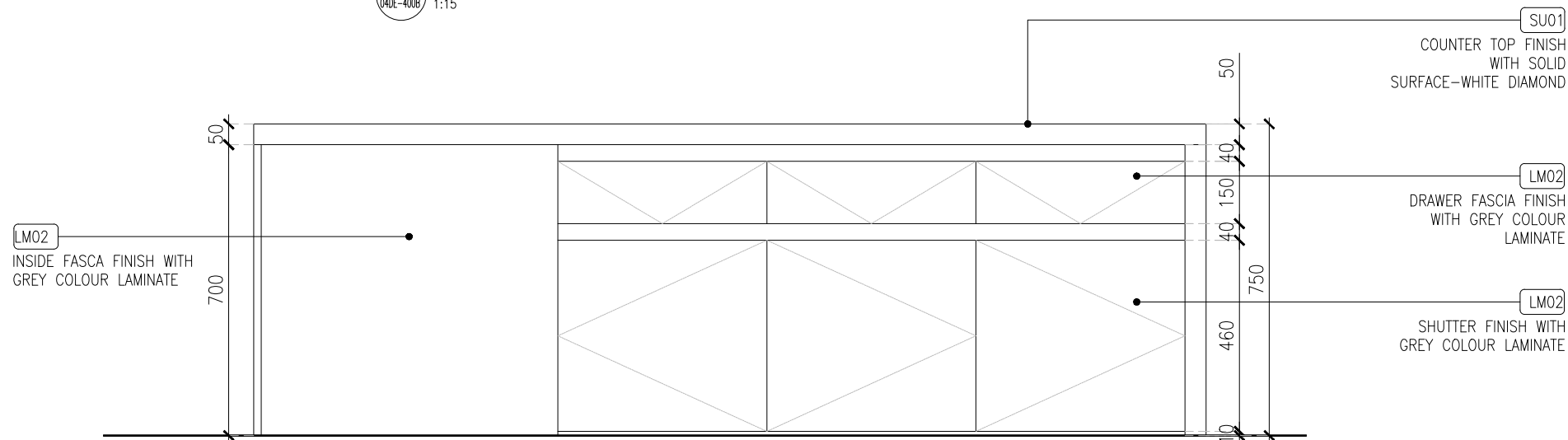
ORG	PROJECT NO	DRAWING TYPE	NUMBER	REV
TFS	0000	04DE	400A	T01



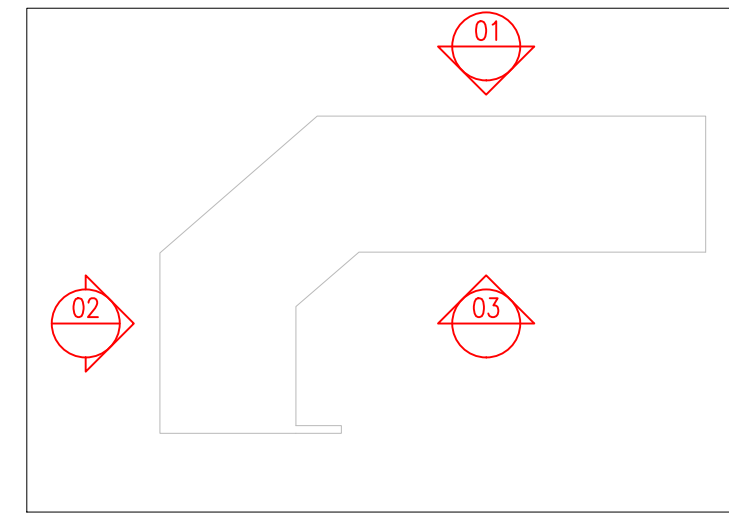
01 ELEVATION - 01  
04DE-400B 1:15



02 ELEVATION - 02  
04DE-400B 1:15



03 ELEVATION - 03  
04DE-400B 1:15



KEYPLAN

REV	DATE	DESCRIPTION	HOD	NM
C01	18.04.24	TENDER		



PROJECT  
**CARLSJR FF018**  
**GMR INTERNATIONAL**  
**AIRPORT LIMITED,**  
**HYDERABAD**

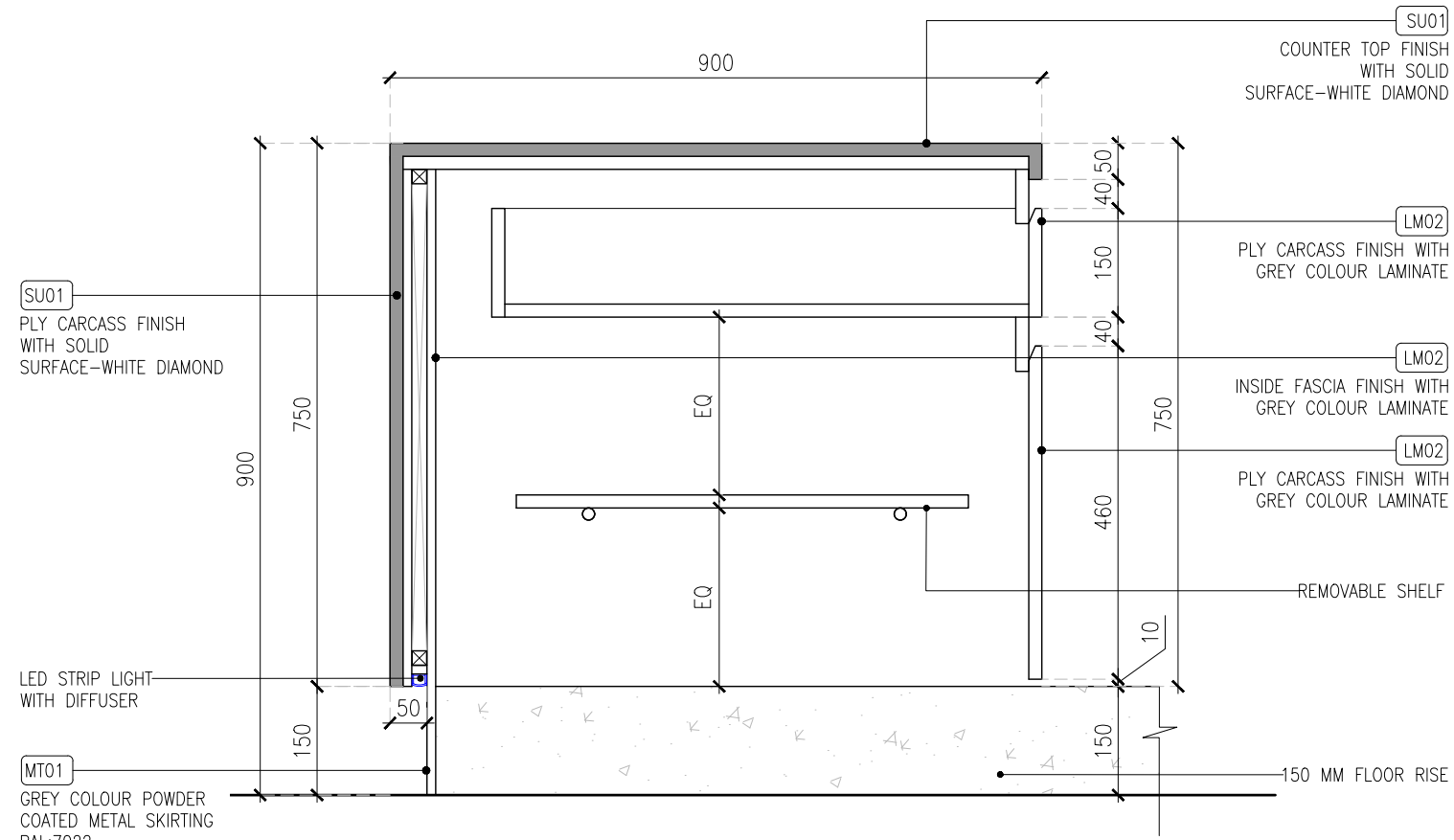
DRAWING TITLE  
**J01-FRONT COUNTER DETAIL-PART:B**

SCALE 1:25 DATE 18.04.2023 DRAWN HOD A3 SHEET

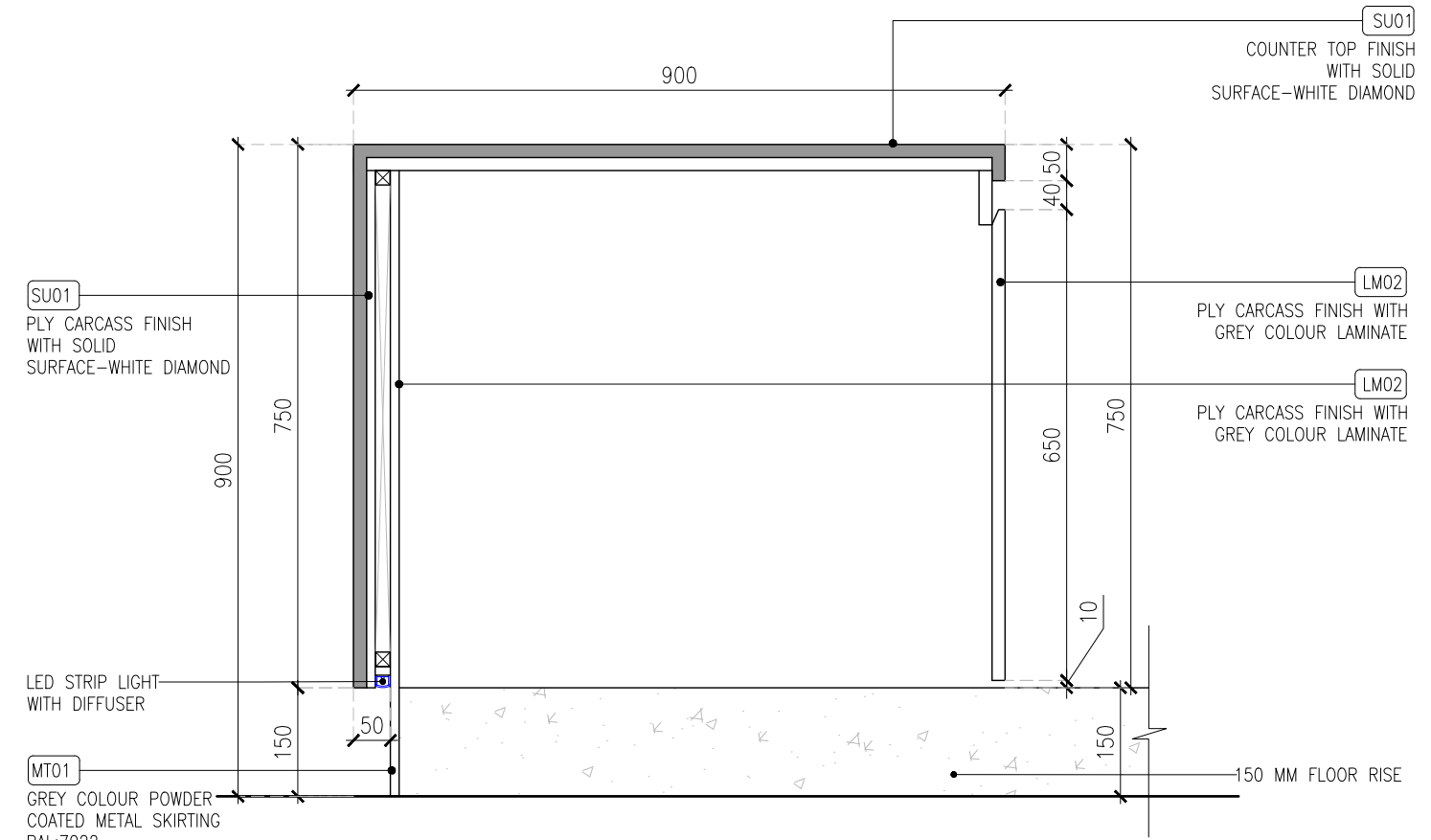
STATUS  
**TENDER**

ORG	PROJECT NO	DRAWING TYPE	NUMBER	REV
TFS	0000	04DE	400A	T01

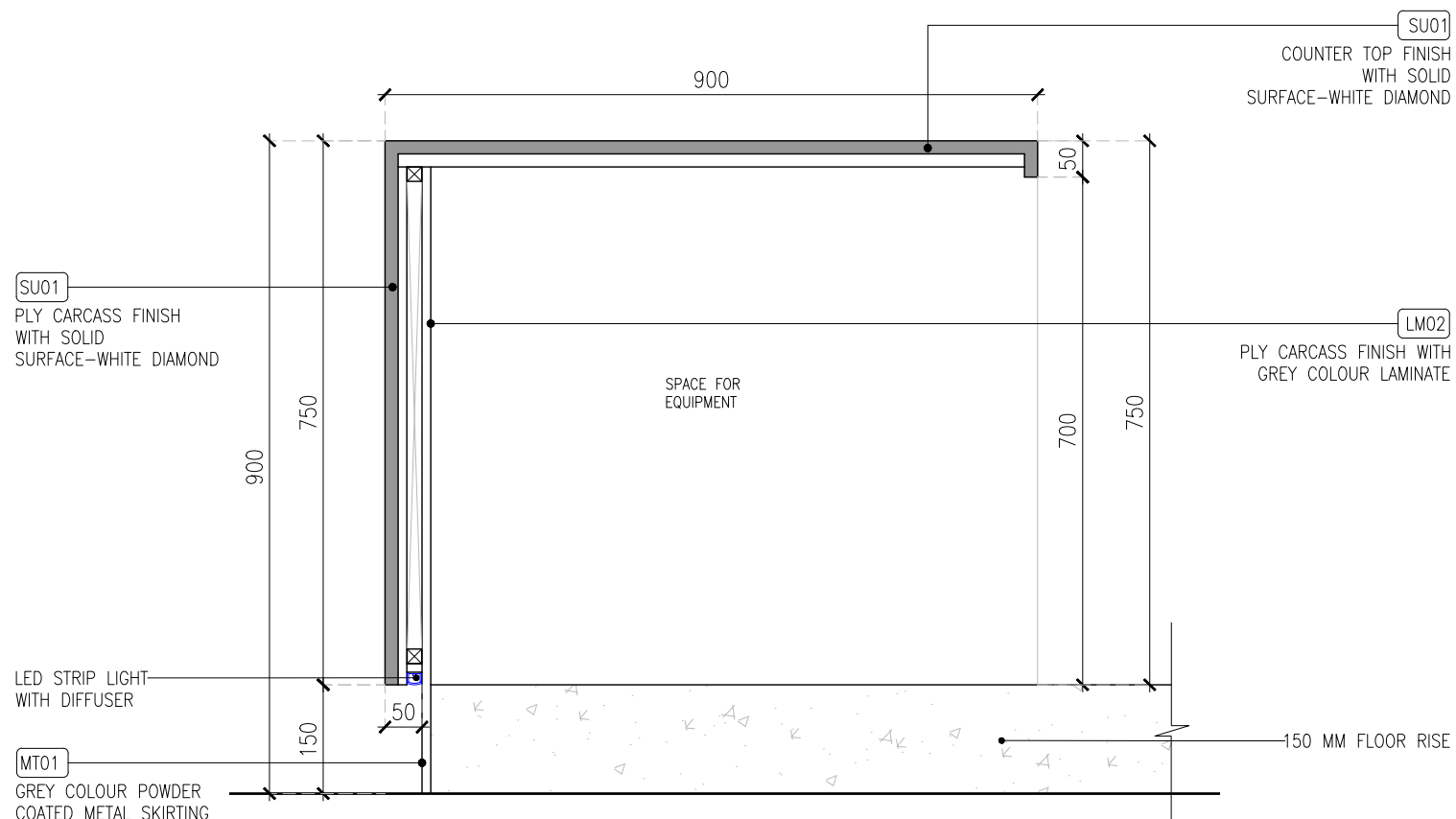




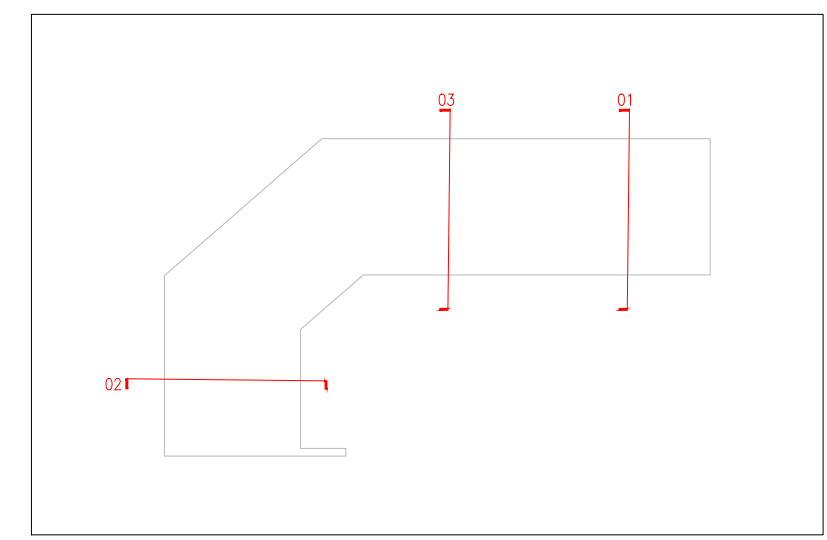
01 SECTION-01  
04DE-400C 1:10



02 SECTION-02  
04DE-400C 1:10



03 SECTION-03  
04DE-400C 1:10



KEYPLAN

REV	DATE	DESCRIPTION	HOD	NM
C01	18.04.24	TENDER		

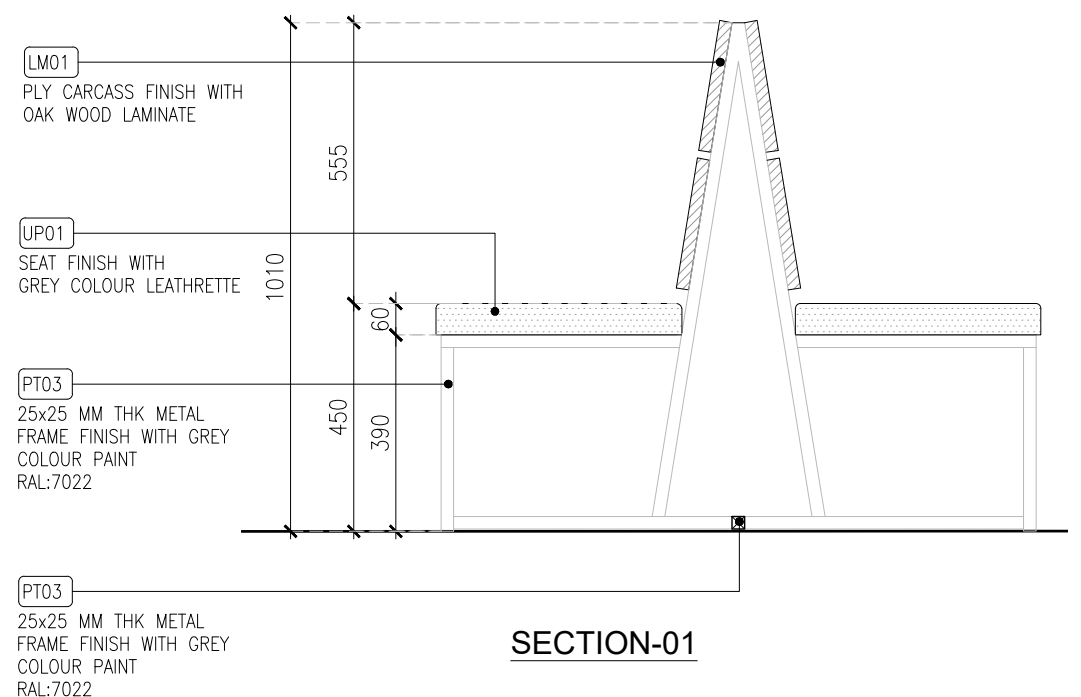
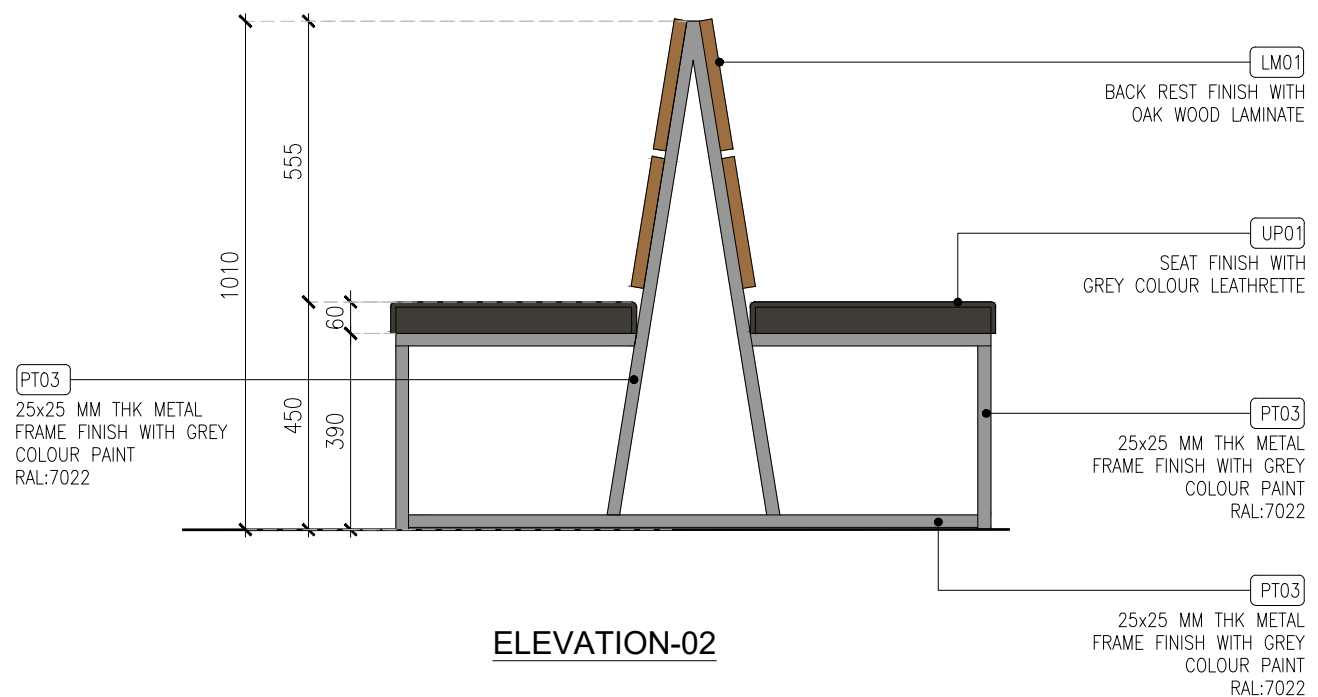
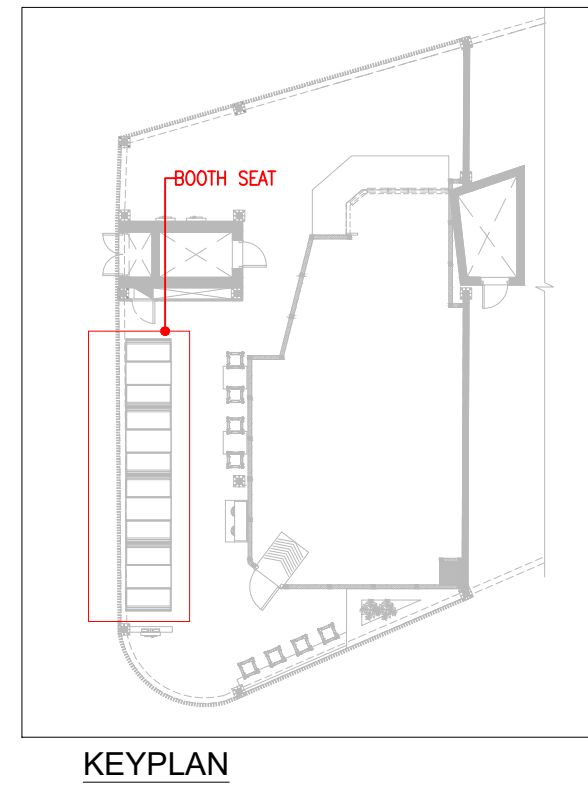
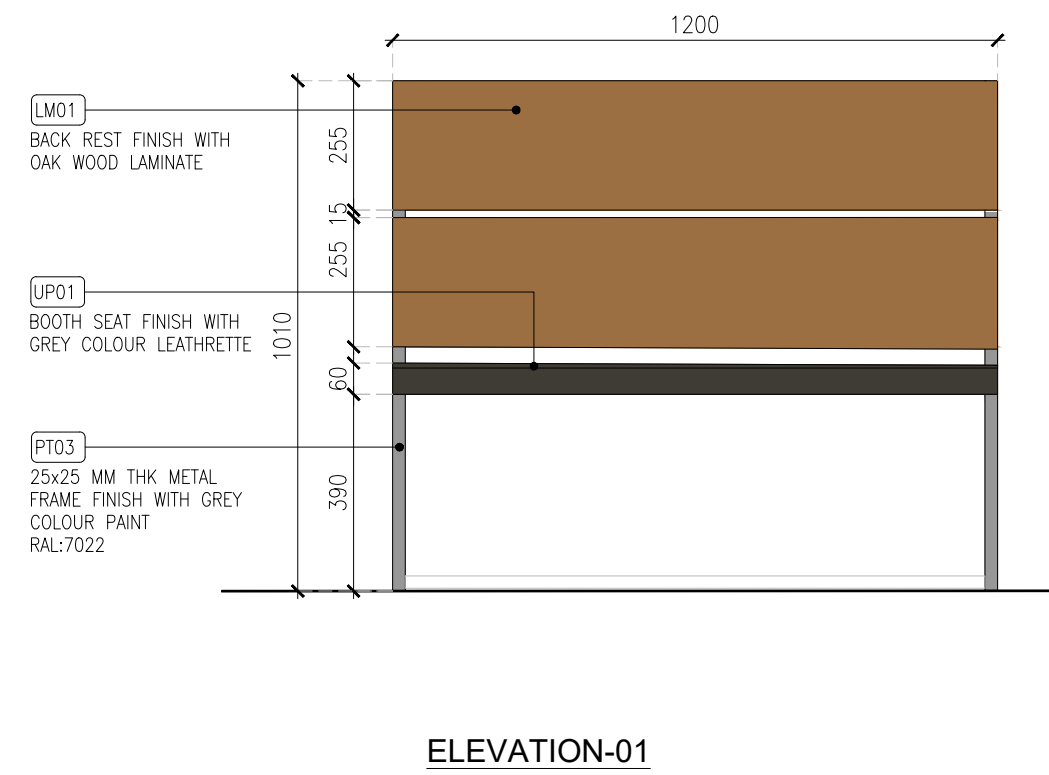
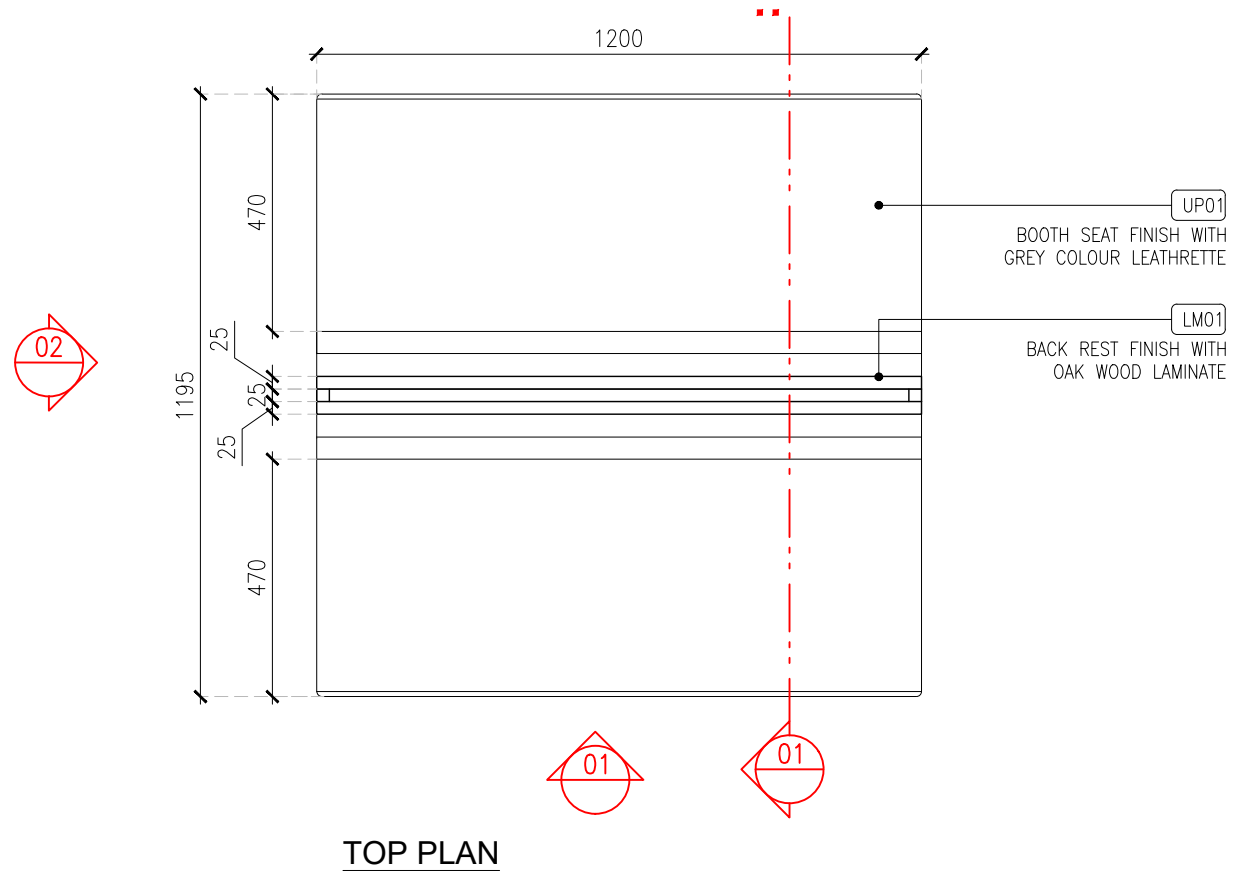


PROJECT  
**CARLSJR FF018**  
**GMR INTERNATIONAL**  
**AIRPORT LIMITED,**  
**HYDERABAD**

DRAWING TITLE  
**J01-FRONT COUNTER DETAIL-PART:C**

SCALE	DATE	DATE	DRAWN	HOD	A3	SHEET
SCALE 1:25	DATE 18.04.2023	DRAWN	HOD	A3	SHEET	

ORG	PROJECT NO	DRAWING TYPE	NUMBER	REV
TENDER				
ORG	PROJECT NO	DRAWING TYPE	NUMBER	REV
TFS	0000	04DE	400C	T01



REV	DATE	DESCRIPTION	HOD	NM
C01	18.04.24	TENDER		



PROJECT  
**CARLSJR FF018**  
**GMR INTERNATIONAL**  
**AIRPORT LIMITED,**  
**HYDERABAD**

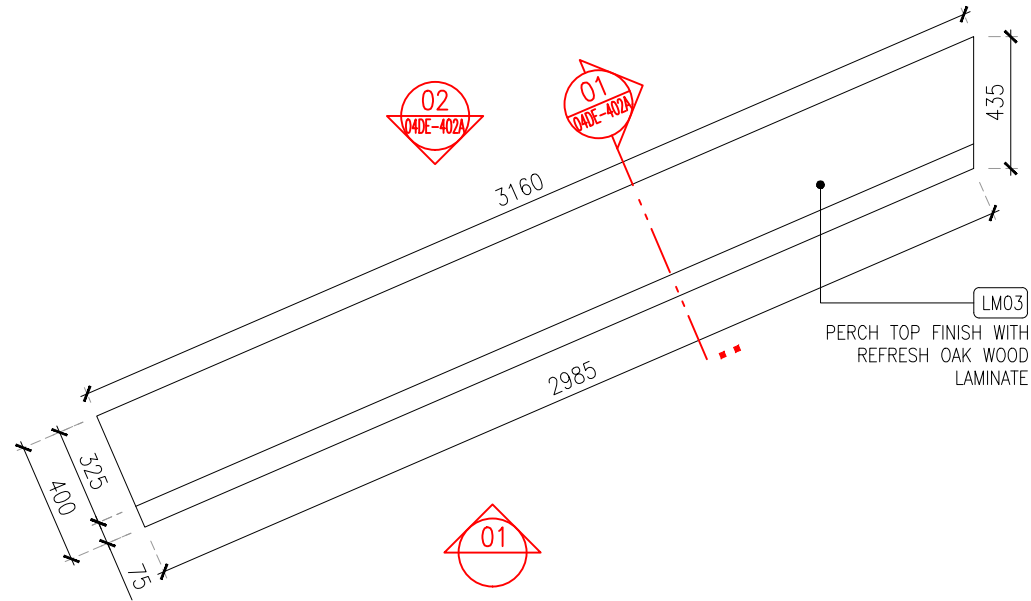
DRAWING TITLE  
**J02-BOOTH SEAT DETAIL**

SCALE 1:15    DATE 18.04.2023    DRAWN HOD    A3 SHEET

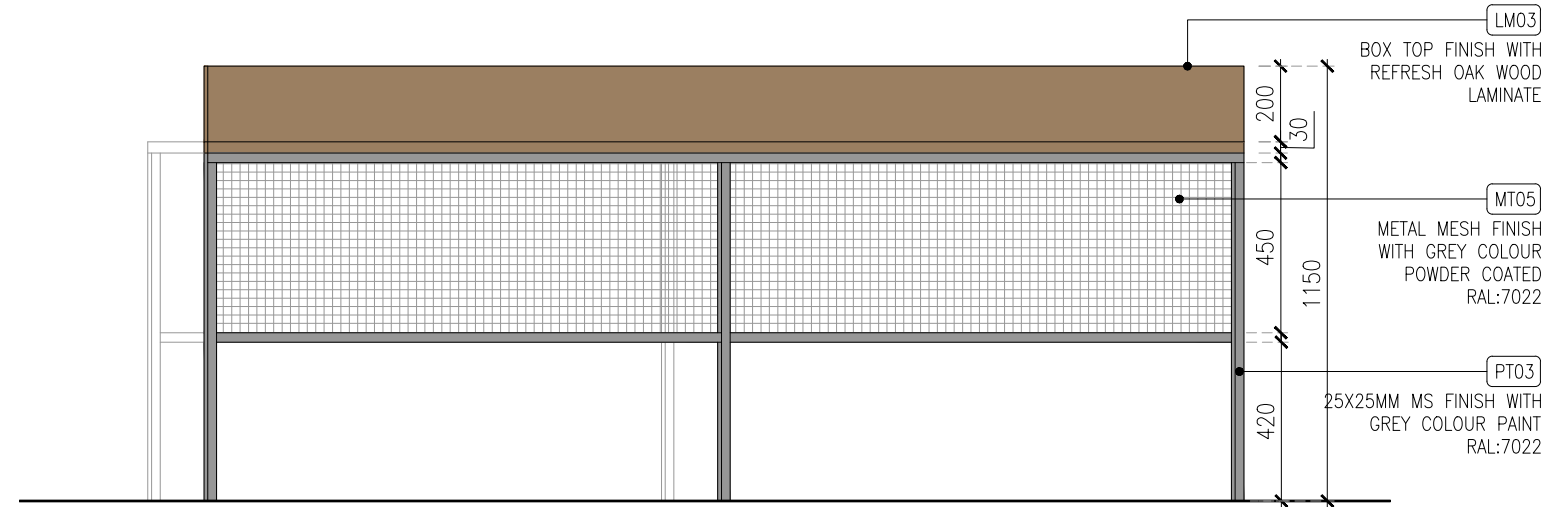
STATUS  
**TENDER**

ORG	PROJECT NO	DRAWING TYPE	NUMBER	REV
TFS	0000	04DE	401	T01

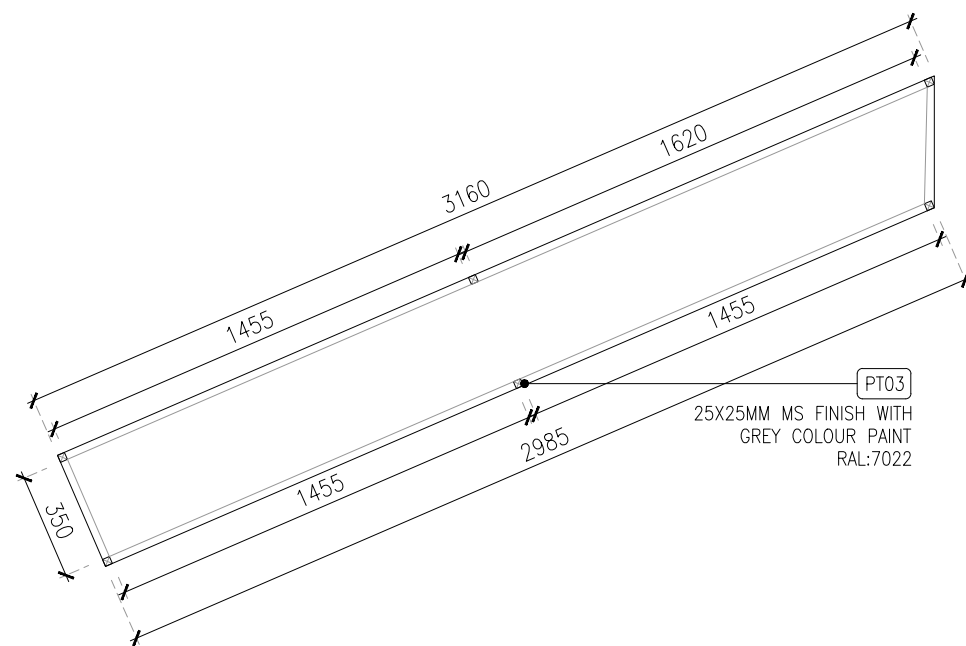
**01 J02-BOOTH SEAT DETAIL**  
04DE-401 1:15



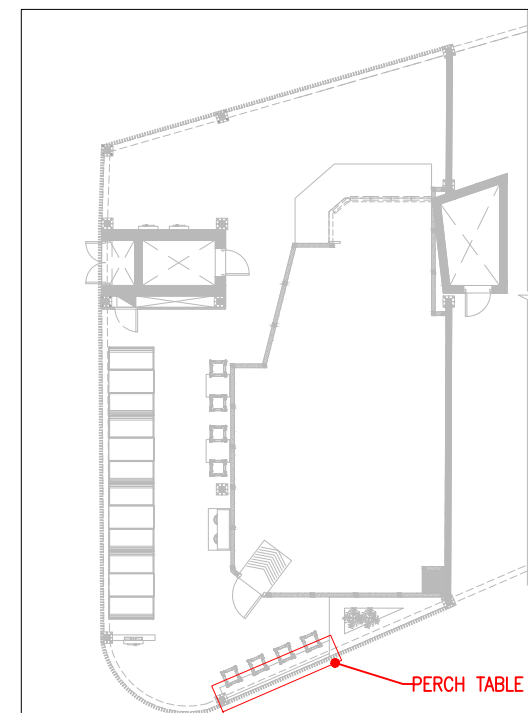
TOP PLAN (SCALE 1:25)



ELEVATION-01 (SCALE 1:20)



FRAMING PLAN @ 400 MM LVL (SCALE 1:25)



KEYPLAN

REV	DATE	DESCRIPTION	HOD	NM
C01	18.04.24	TENDER		
			DRN	CHK



PROJECT  
CARLSJR FF018  
GMR INTERNATIONAL  
AIRPORT LIMITED,  
HYDERABAD

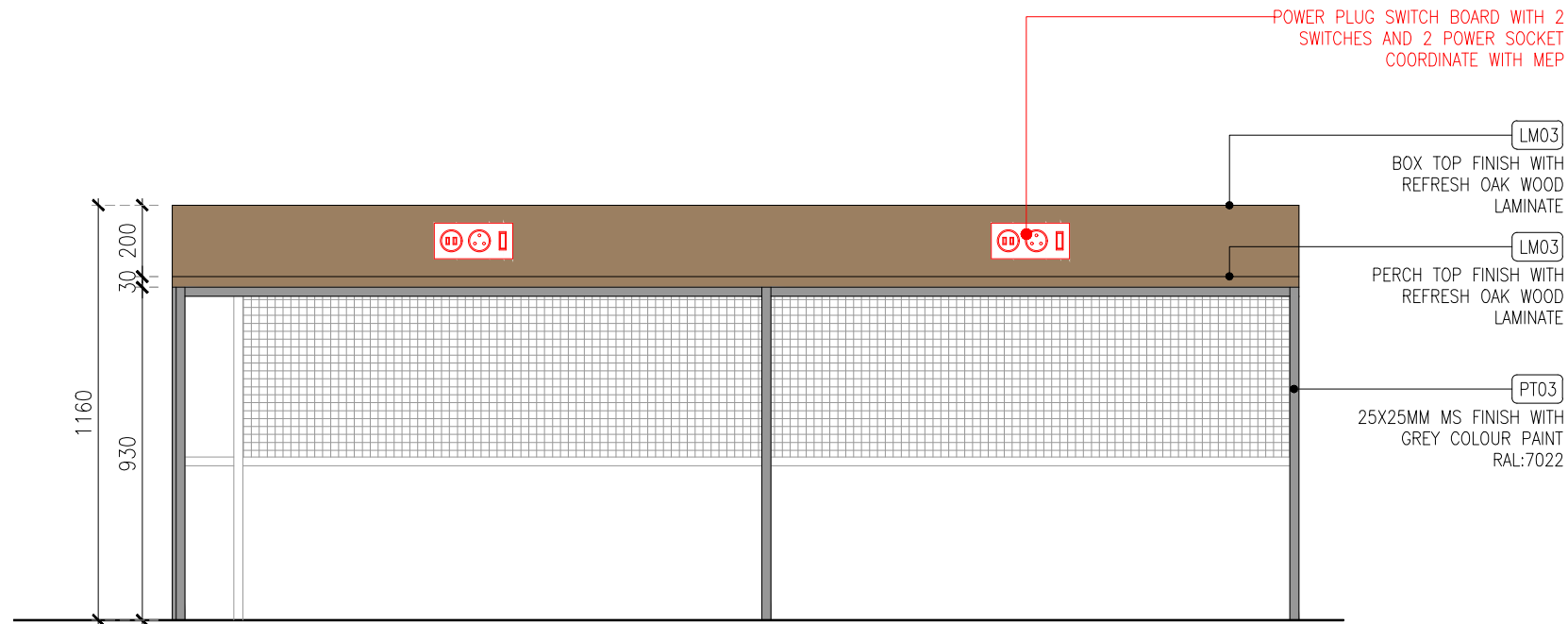
DRAWING TITLE  
J03-PERCH TABLE DETAIL:PART-A

SCALE AS MENTIONED DATE: 18.04.2024 DRAWN HOD: A3 SHEET

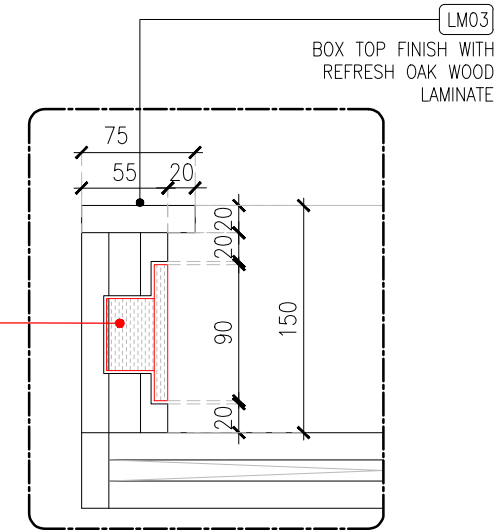
STATUS  
TENDER

ORG	PROJECT NO	DRAWING TYPE	NUMBER	REV
TFS	0000	04DE	402	T01

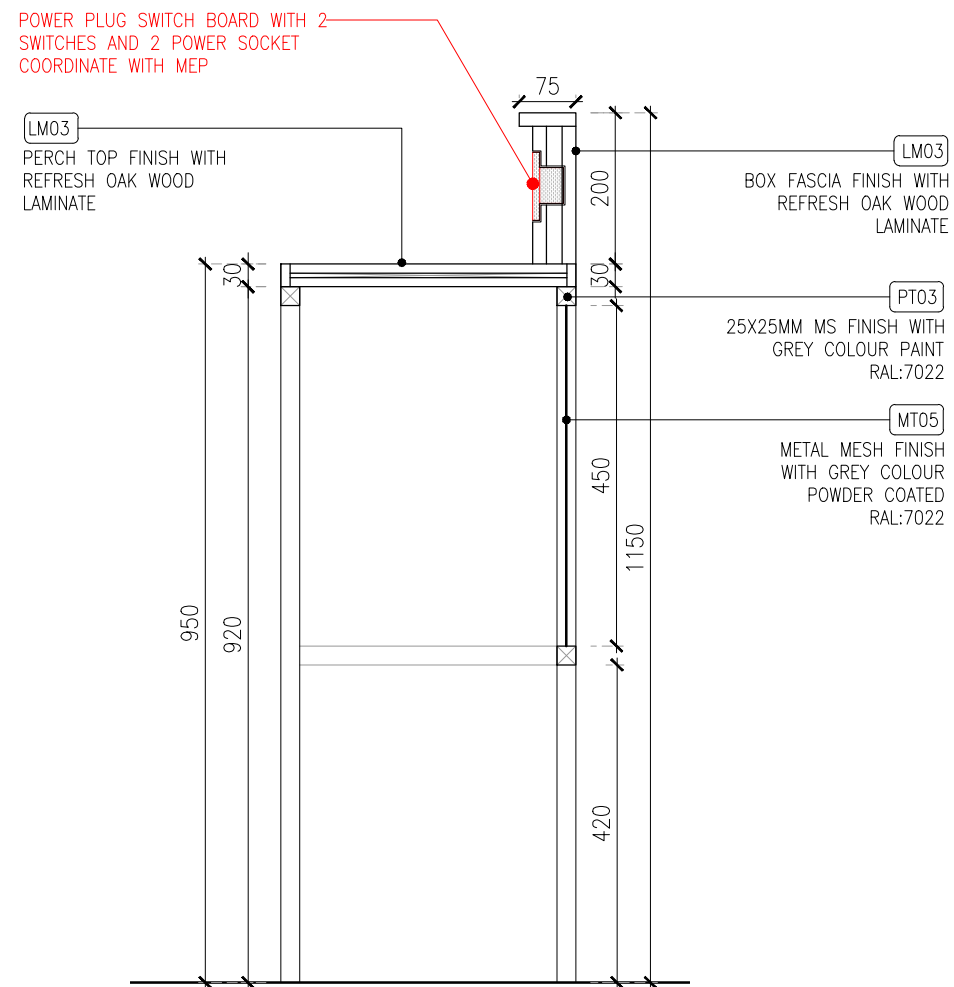
01 J03-PERCH TABLE DETAIL:PART-A  
04DE-402



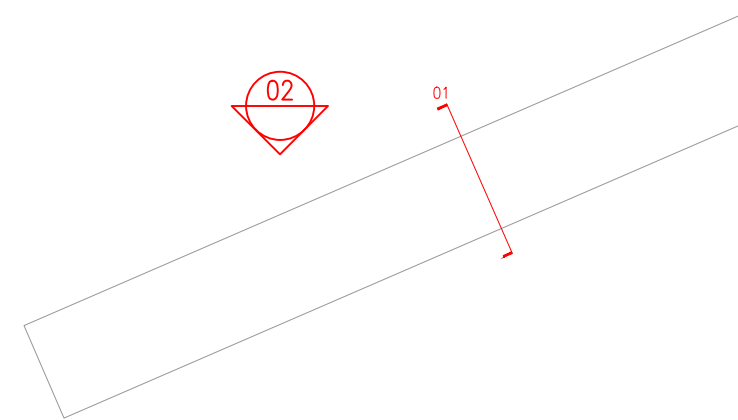
01 ELEVATION-02  
04DE-402A 1:20



DETAIL-A



02 SECTION-01  
04DE-402A 1:10



KEYPLAN

REV	DATE	DESCRIPTION	HOD	NM
C01	18.04.24	TENDER		
			DRN	CHK



PROJECT  
CARLSJR FF018  
GMR INTERNATIONAL  
AIRPORT LIMITED,  
HYDERABAD

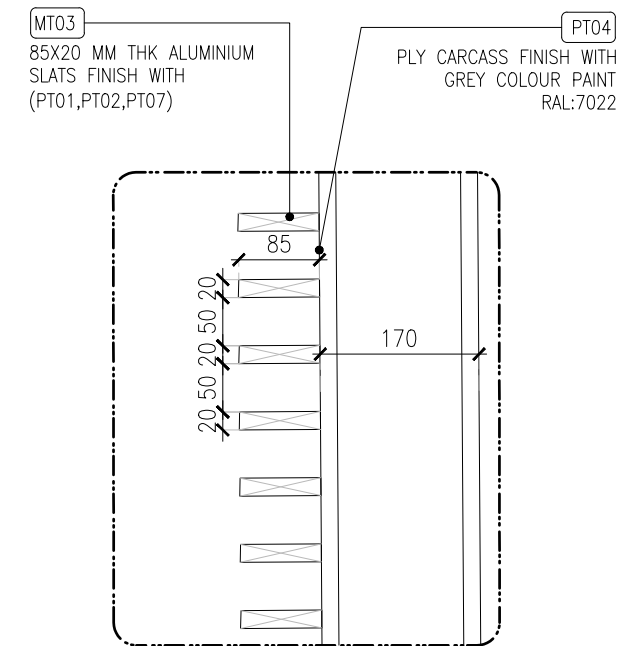
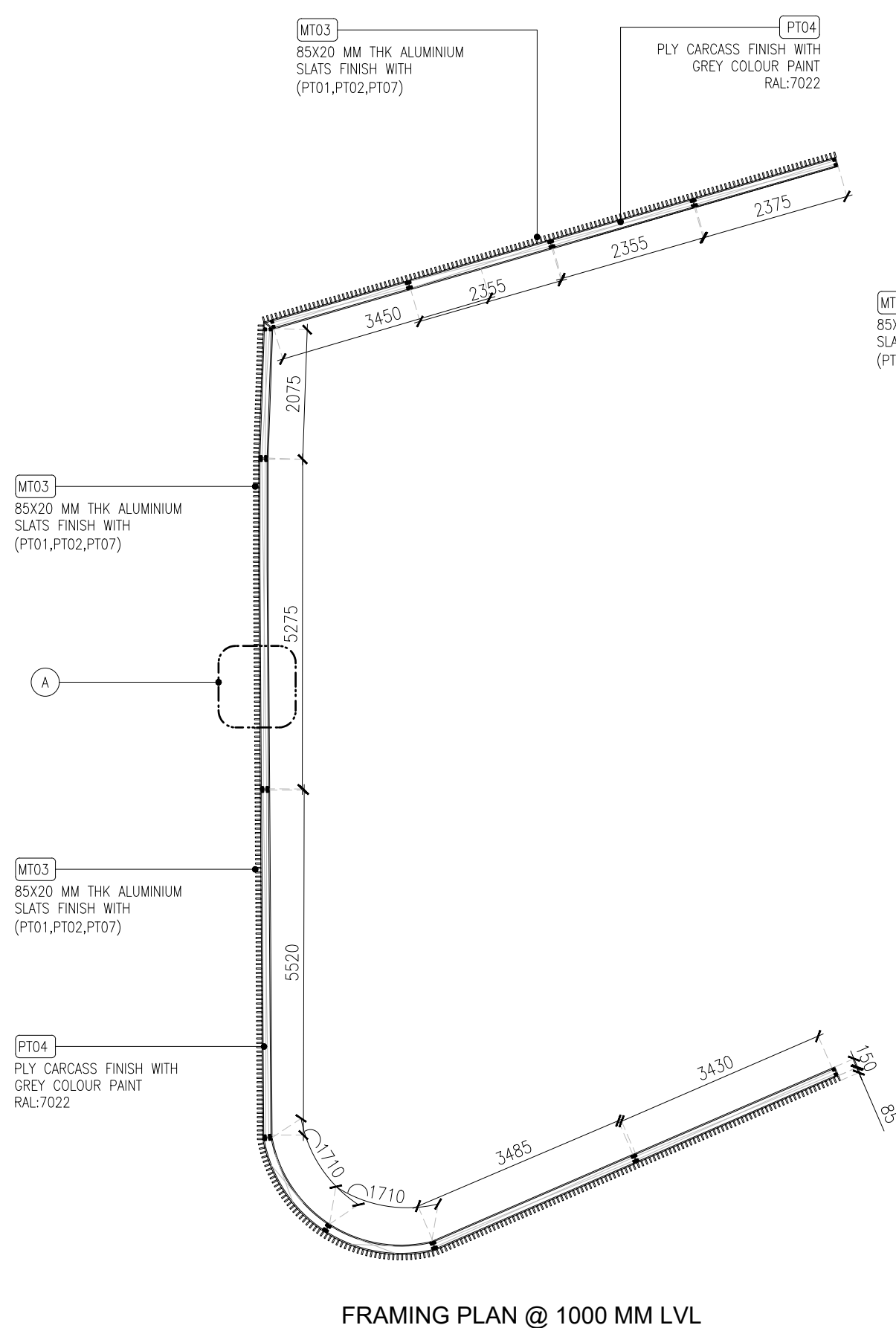
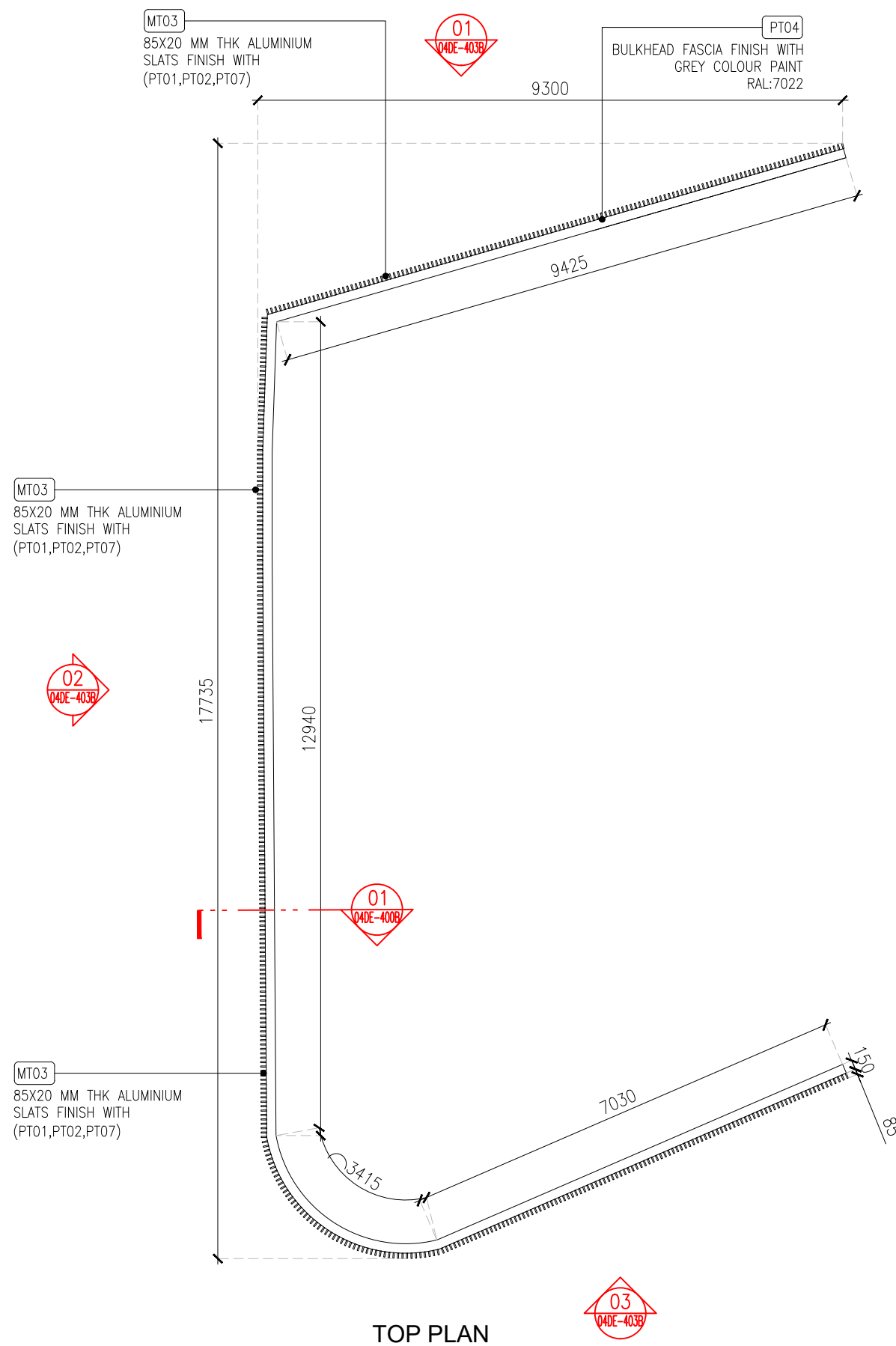
DRAWING TITLE  
J03-PERCH TABLE DETAIL:PART-B

SCALE AS MENTIONED DATE 18.04.2024 DRAWN HOD A3 SHEET

STATUS  
TENDER

ORG	PROJECT NO	DRAWING TYPE	NUMBER	REV
TFS	0000	04DE	402A	T01

ALL DIMENSIONS MUST BE CHECKED ON SITE  
INFORM THE ARCHITECT OF ANY DISCREPANCIES PRIOR TO CONSTRUCTION



01 J04-BULKHEAD DETAIL-PART:A  
04DE-403A 1:90

C01	18.04.24	TENDER	HOD	NM
REV	DATE	DESCRIPTION	DRN	CHK



PROJECT  
**CARLSJR FF018**  
**GMR INTERNATIONAL**  
**AIRPORT LIMITED,**  
**HYDERABAD**

DRAWING TITLE  
**J04-BULKHEAD DETAIL-PART:A**

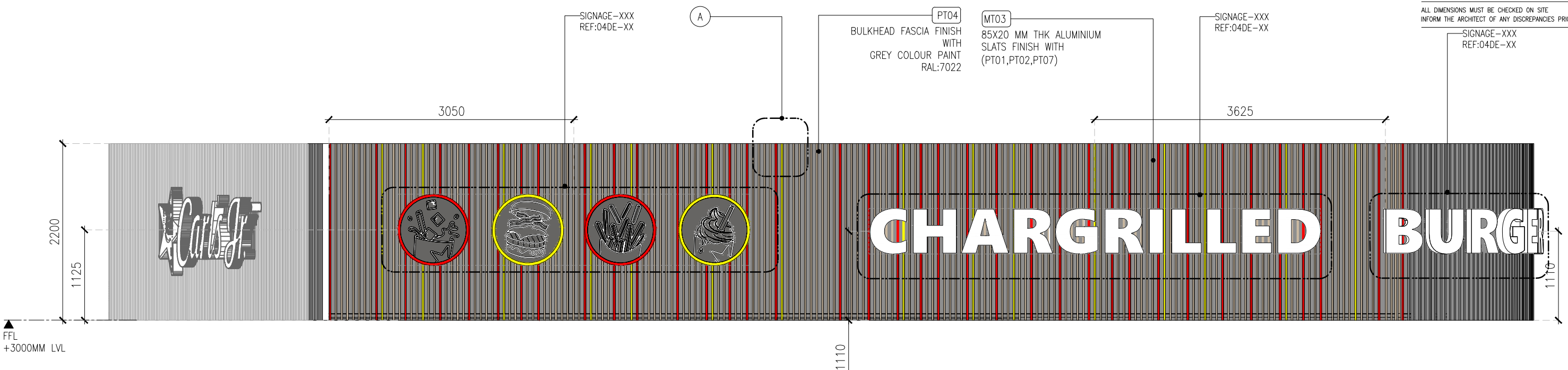
SCALE 1:90 DATE 18.04.2023 DRAWN HOD A3 SHEET

STATUS  
**TENDER**

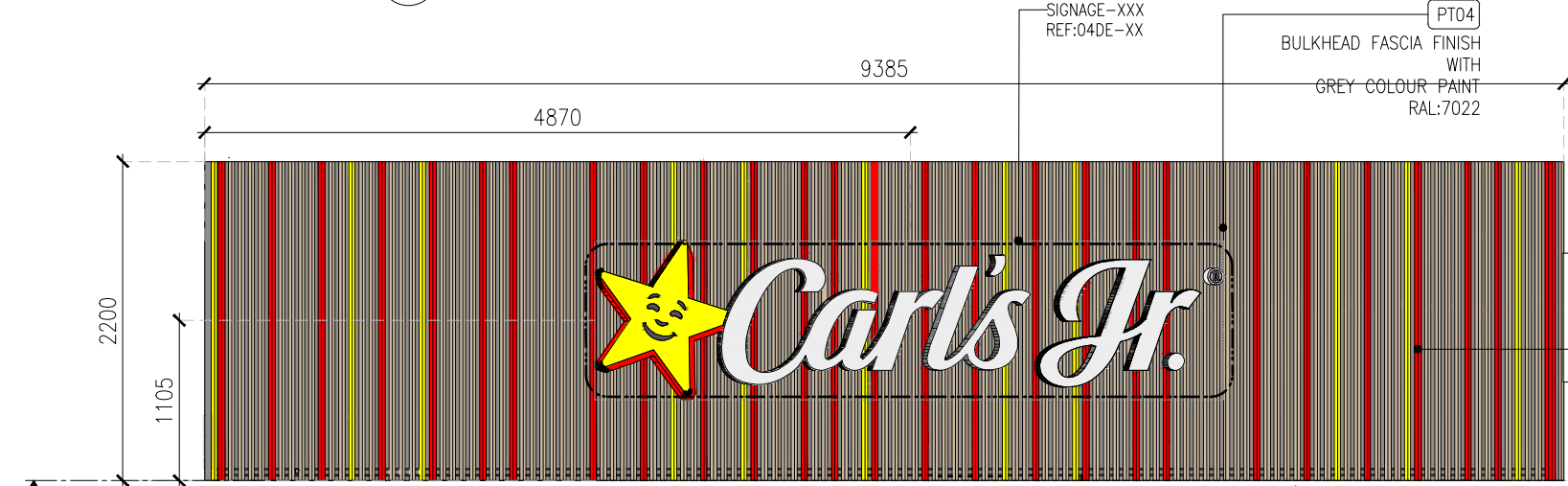
ORG	PROJECT NO	DRAWING TYPE	NUMBER	REV
TFS	0000	04DE	403A	T01

ALL DIMENSIONS MUST BE CHECKED ON SITE  
INFORM THE ARCHITECT OF ANY DISCREPANCIES PRIOR TO CONSTRUCTION

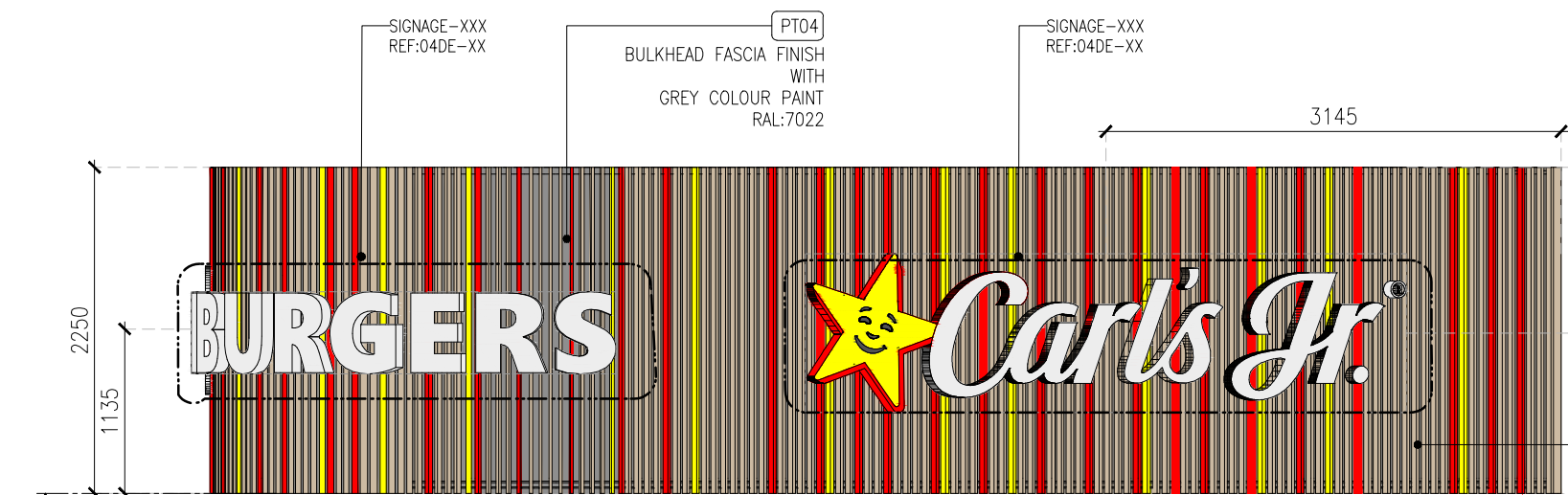
SIGNAGE-XXX  
REF:04DE-XX



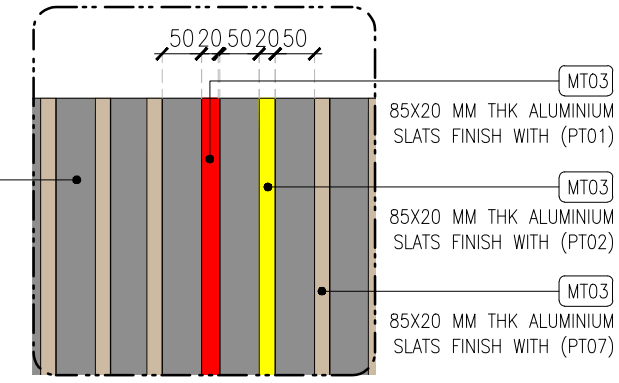
01 ELEVATION-02  
04DE-403B 1:50



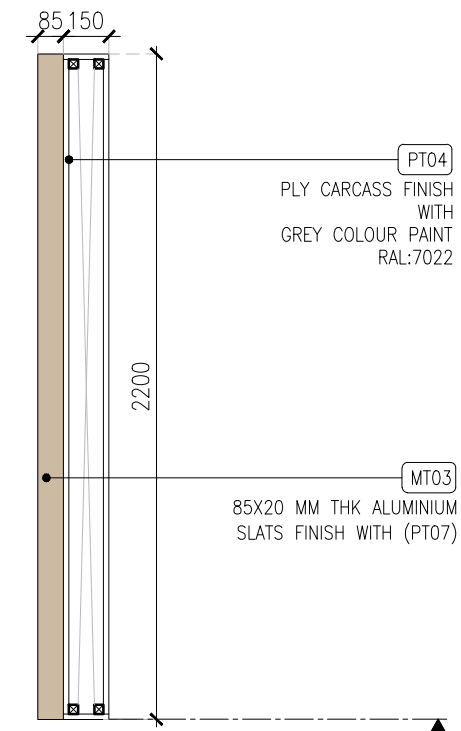
02 ELEVATION-01  
04DE-403B 1:50



03 ELEVATION-03  
04DE-403B 1:50



DETAIL-A(SCALE 1:10)



04 SECTION-01  
04DE-403B 1:25

C01	18.04.24	TENDER	HOD	NM
REV	DATE	DESCRIPTION	DRN	CHK



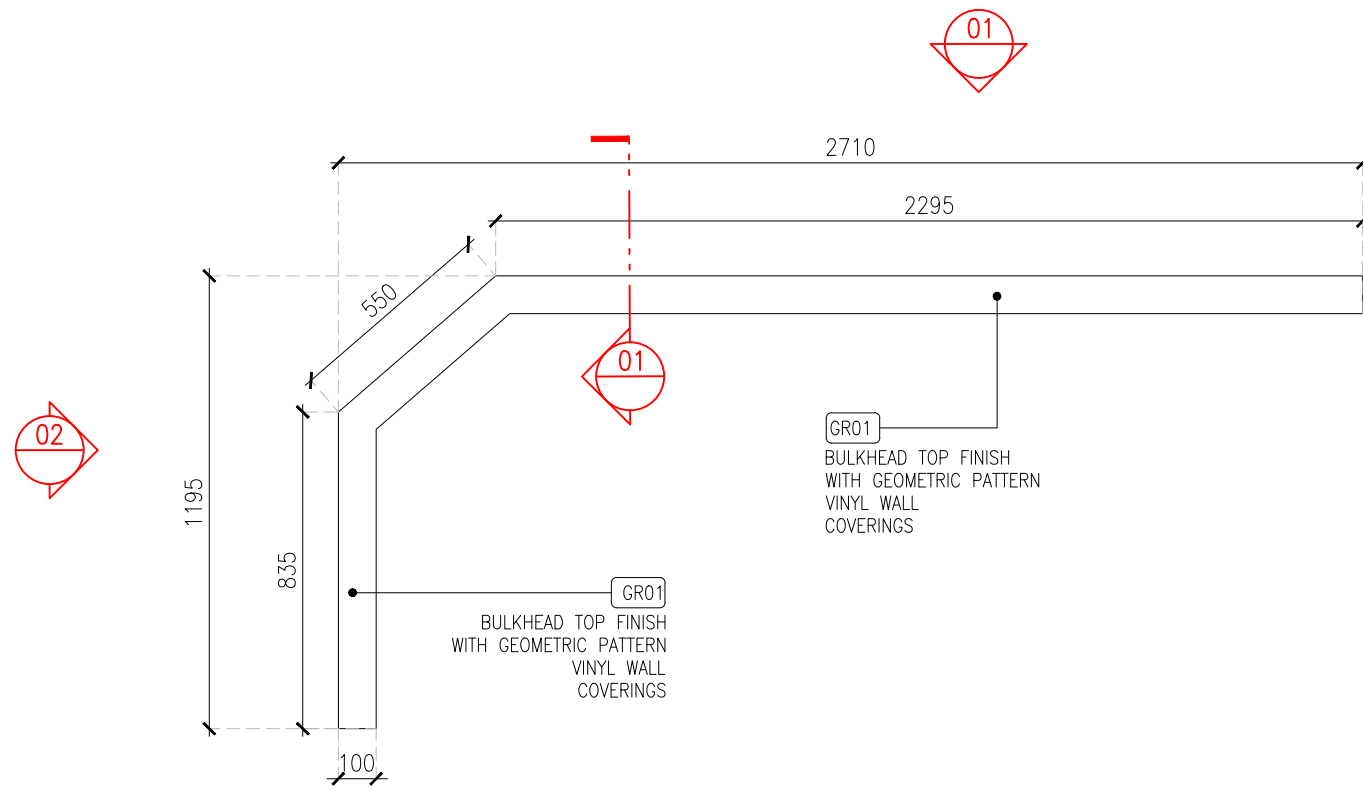
PROJECT  
**CARLSJR FF018**  
GMR INTERNATIONAL  
AIRPORT LIMITED,  
HYDERABAD

DRAWING TITLE  
**J04-BULKHEAD DETAIL-PART:B**

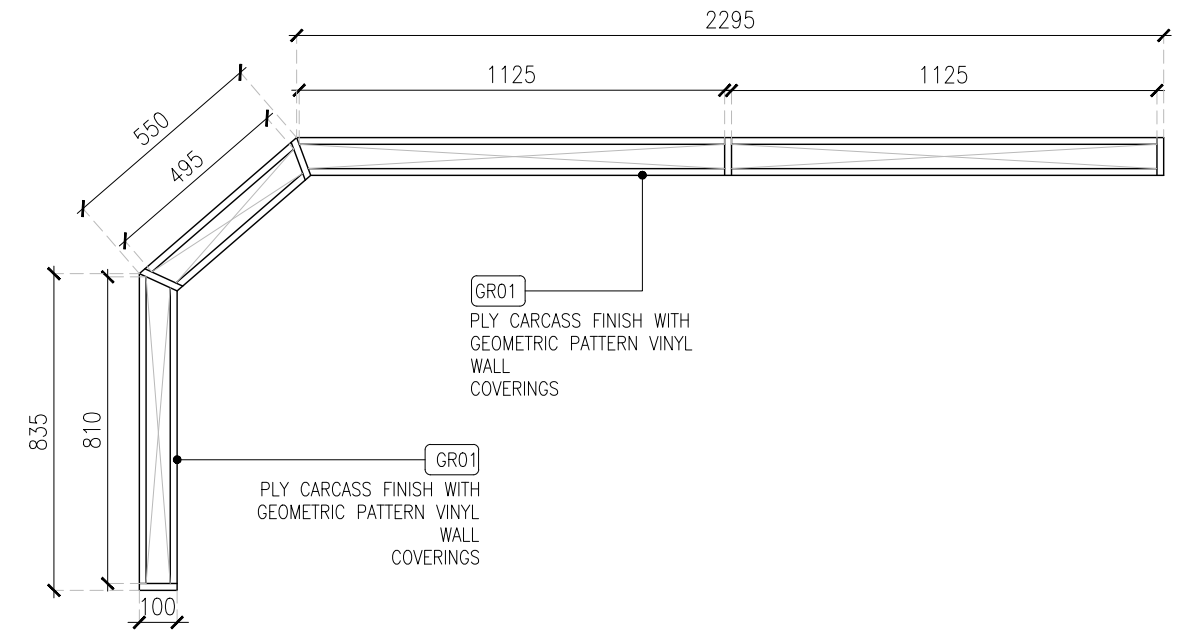
SCALE AS MENTIONED DATE 18.04.2023 DRAWN HOD A3 SHEET

STATUS  
**TENDER**

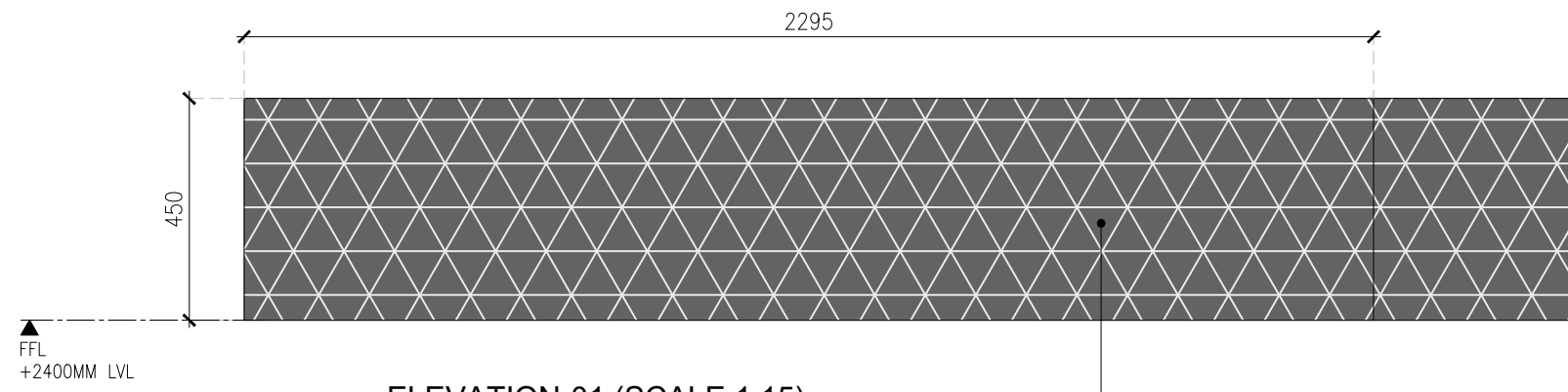
ORG	PROJECT NO	DRAWING TYPE	NUMBER	REV
TFS	0000	04DE	403B	T01



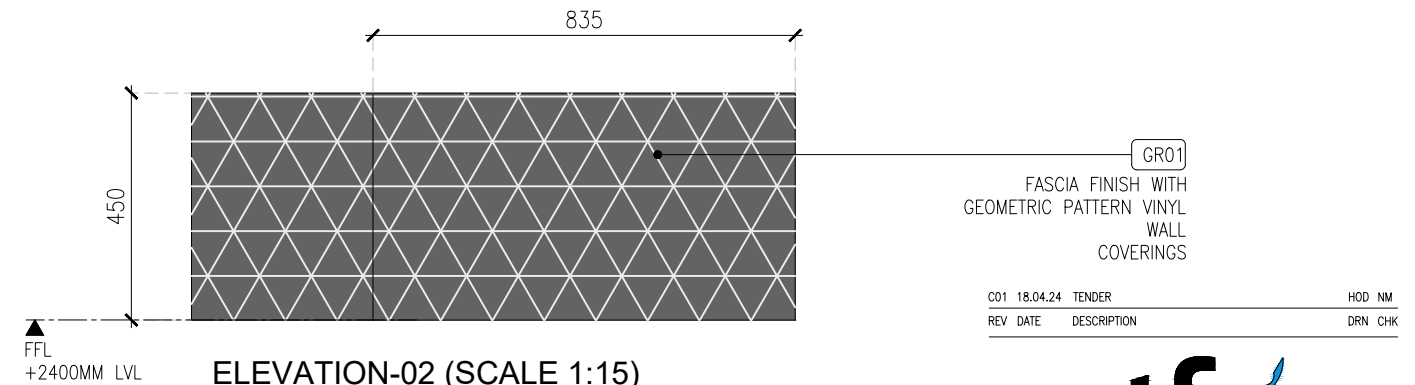
TOP PLAN (SCALE 1:20)



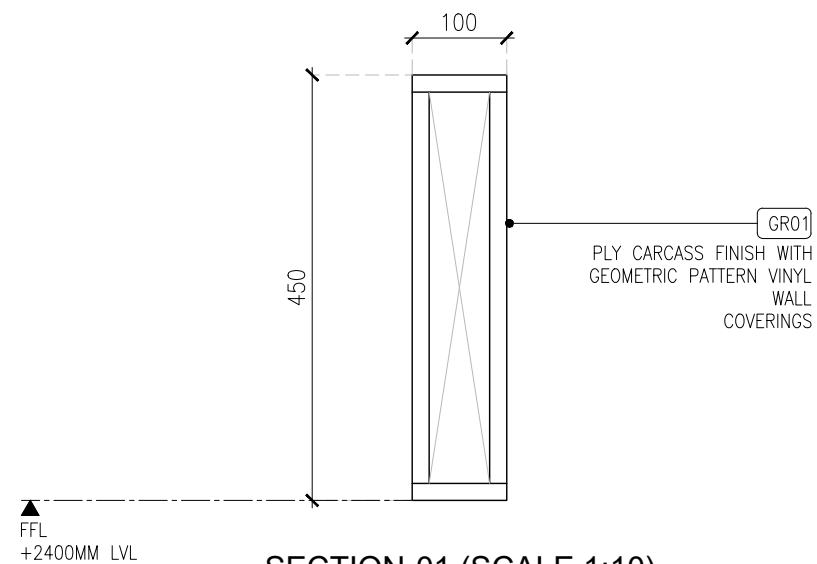
FRAMING PLAN @ 250 MM LVL (SCALE 1:20)



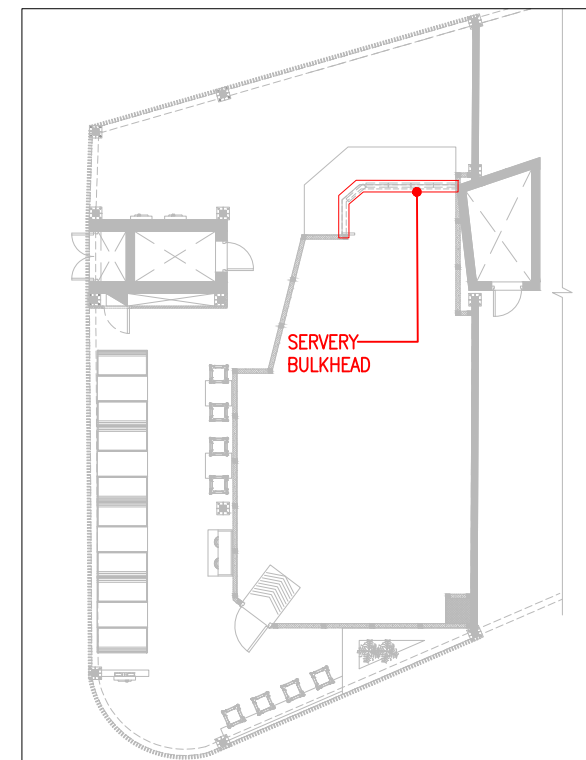
ELEVATION-01 (SCALE 1:15)



ELEVATION-02 (SCALE 1:15)



SECTION-01 (SCALE 1:10)



KEYPLAN



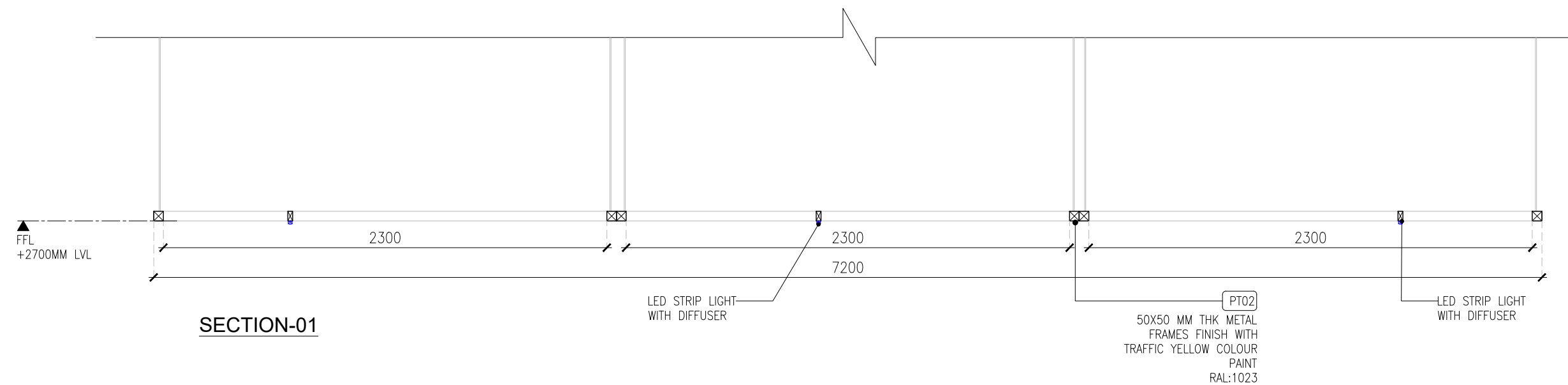
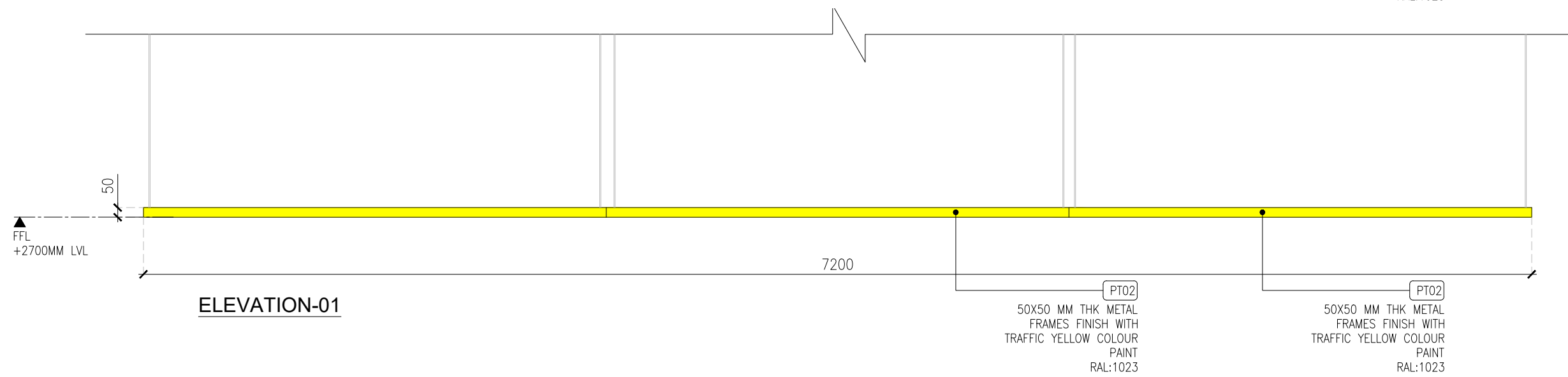
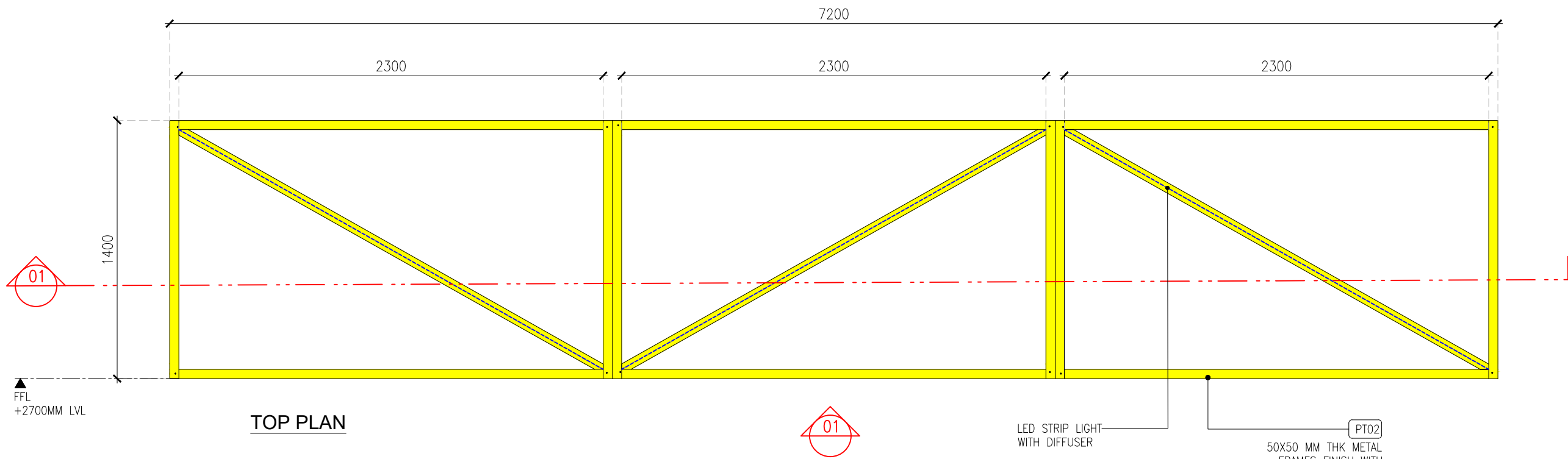
PROJECT  
**CARLSJR FF018**  
**GMR INTERNATIONAL**  
**AIRPORT LIMITED,**  
**HYDERABAD**

DRAWING TITLE  
**J05-SERVERY BULKHEAD DETAIL**

SCALE 1:25 DATE 18.04.2023 DRAWN HOD A3 SHEET

STATUS  
**TENDER**

ORG	PROJECT NO	DRAWING TYPE	NUMBER	REV
TFS	0000	04DE	404	T01



REV	DATE	DESCRIPTION	HOD	NM
C01	18.04.24	TENDER		
			DRN	CHK



PROJECT  
**CARLSJR FF018**  
**GMR INTERNATIONAL**  
**AIRPORT LIMITED,**  
**HYDERABAD**

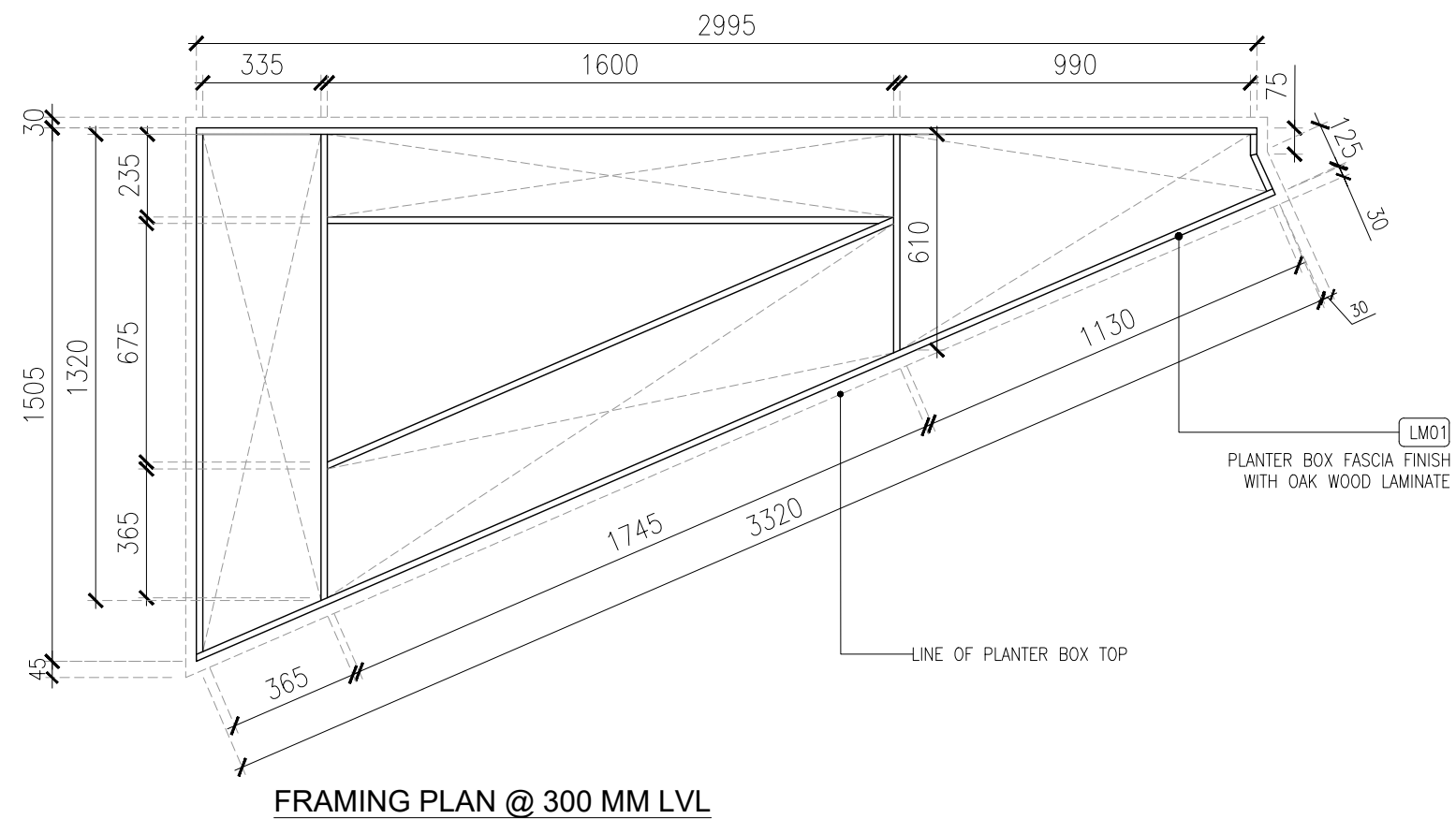
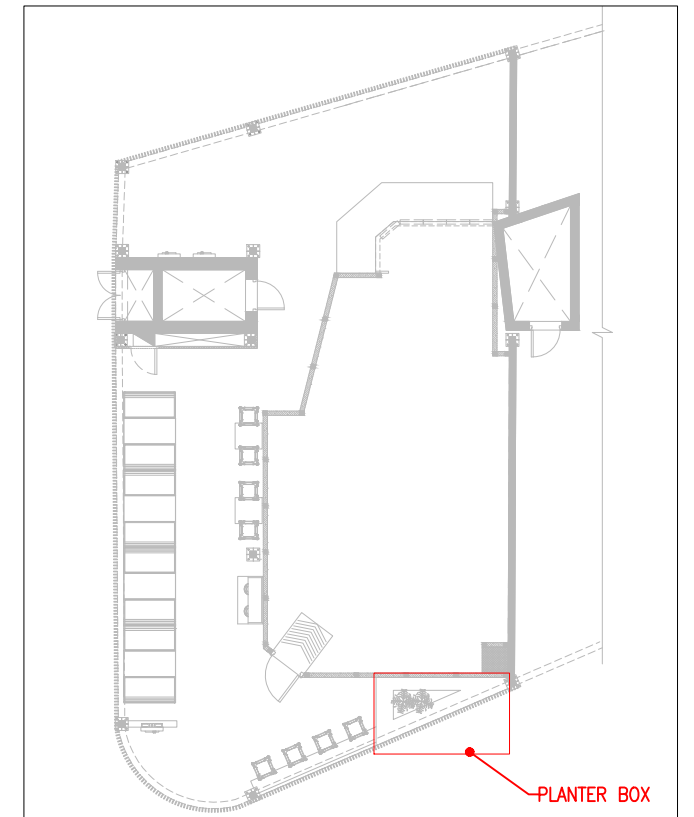
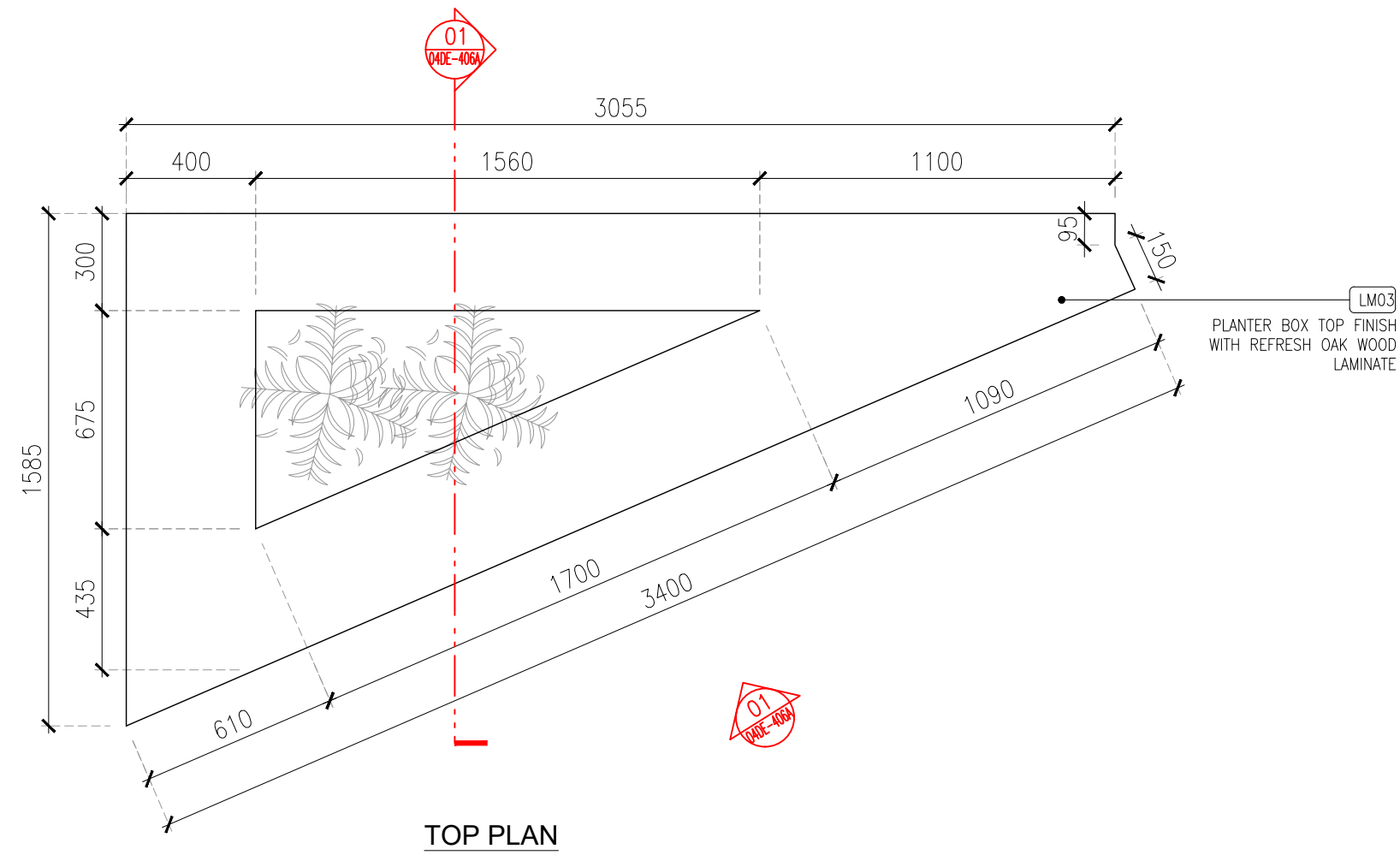
DRAWING TITLE  
**J06-CEILING ELEMENT DETAIL**

SCALE 1:25 DATE 18.04.2023 DRAWN HOD A3 SHEET

STATUS	ORG	PROJECT NO	DRAWING TYPE	NUMBER	REV
TENDER	TFS	0000	04DE	404	T01

01 **J06-CEILING ELEMENT DETAIL**  
04DE-405 1:25





**KEYPLAN**

C01	18.04.24	TENDER	HOD	NM
REV	DATE	DESCRIPTION	DRN	CHK



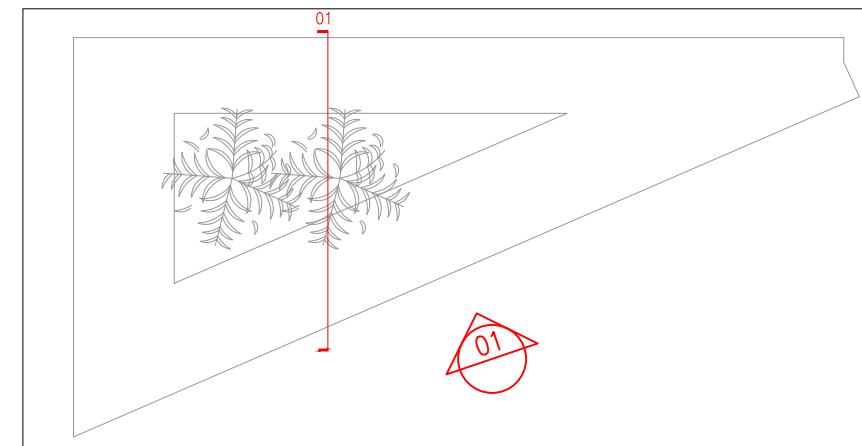
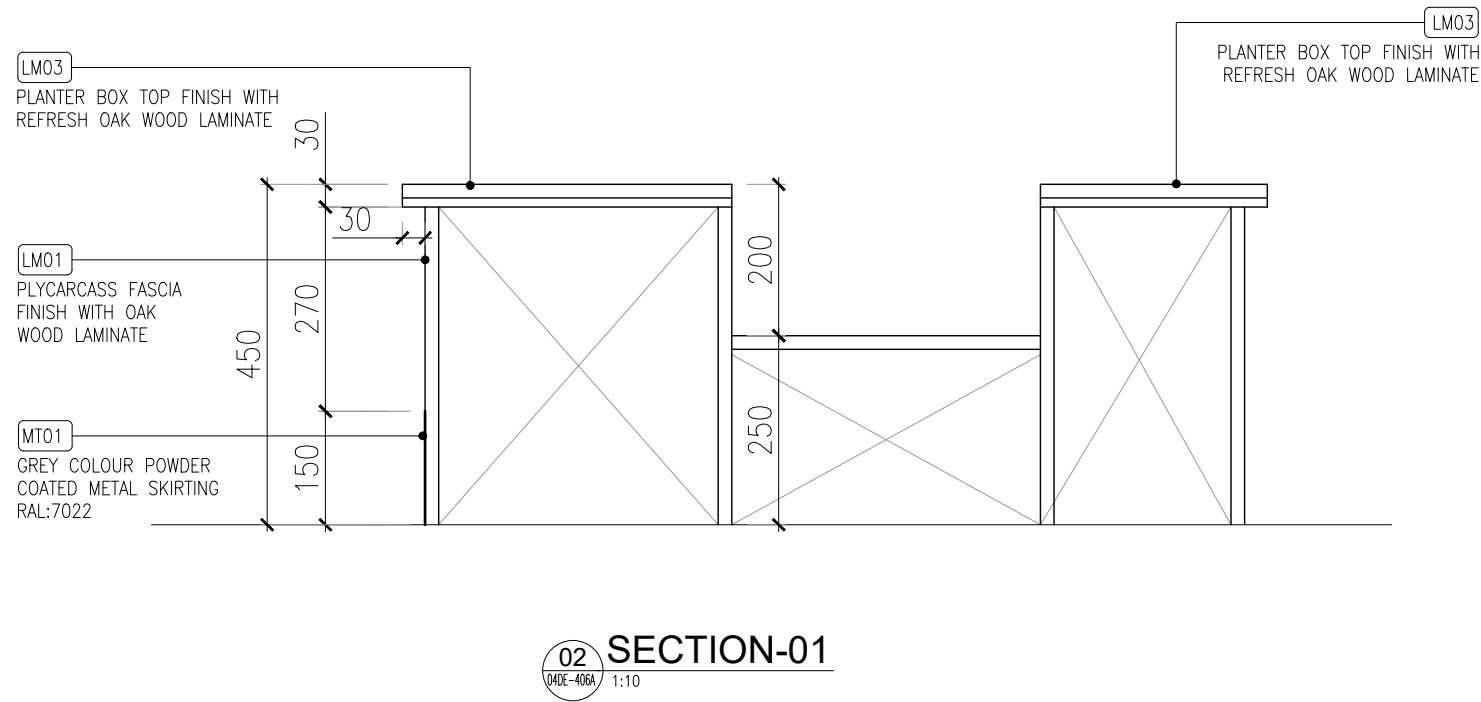
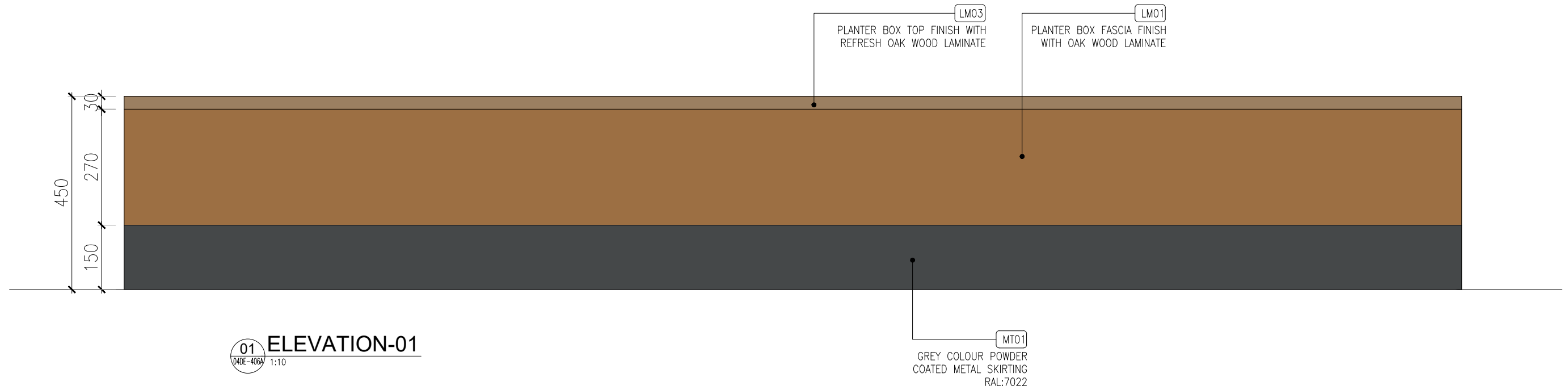
PROJECT  
**CARLSJR FF018**  
**GMR INTERNATIONAL**  
**AIRPORT LIMITED,**  
**HYDERABAD**

DRAWING TITLE  
**J07-PLANTER BOX DETAIL: PART-A**

SCALE 1:20 DATE 18.04.2024 DRAWN HOD A3 SHEET

STATUS  
**TENDER**

ORG	PROJECT NO	DRAWING TYPE	NUMBER	REV
TFS	0000	04DE	406	T01



REV	DATE	DESCRIPTION	HOD	NM
C01	18.04.24	TENDER		



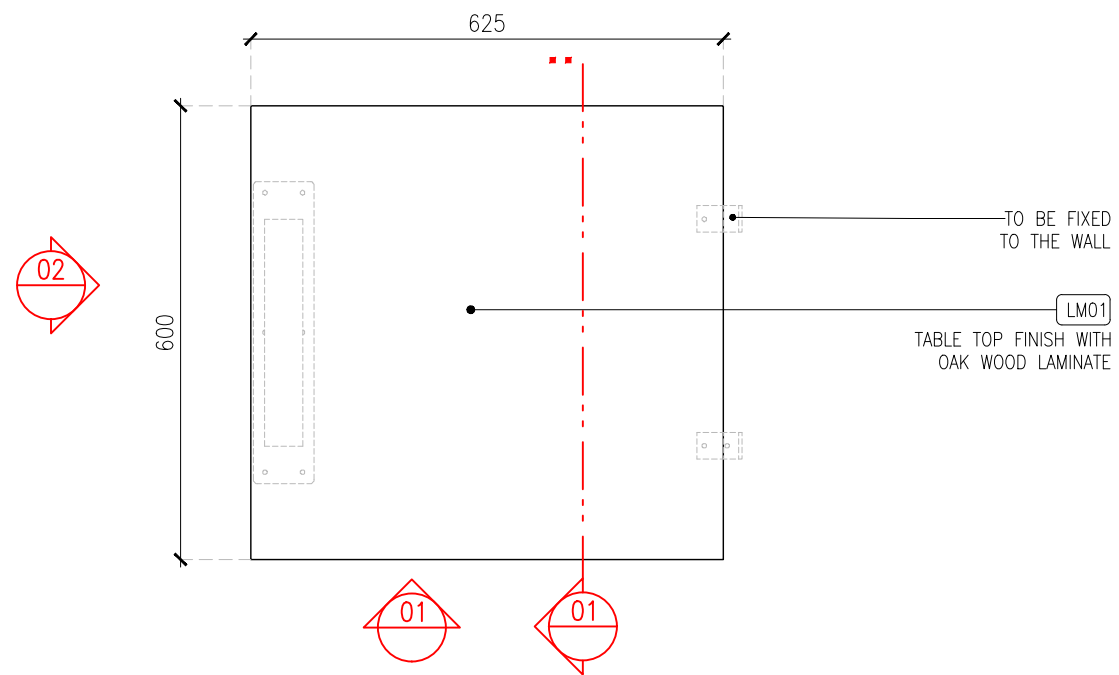
PROJECT  
**CARLSJR FF018**  
**GMR INTERNATIONAL**  
**AIRPORT LIMITED,**  
**HYDERABAD**

DRAWING TITLE  
**J07-PLANTER BOX DETAIL: PART-B**

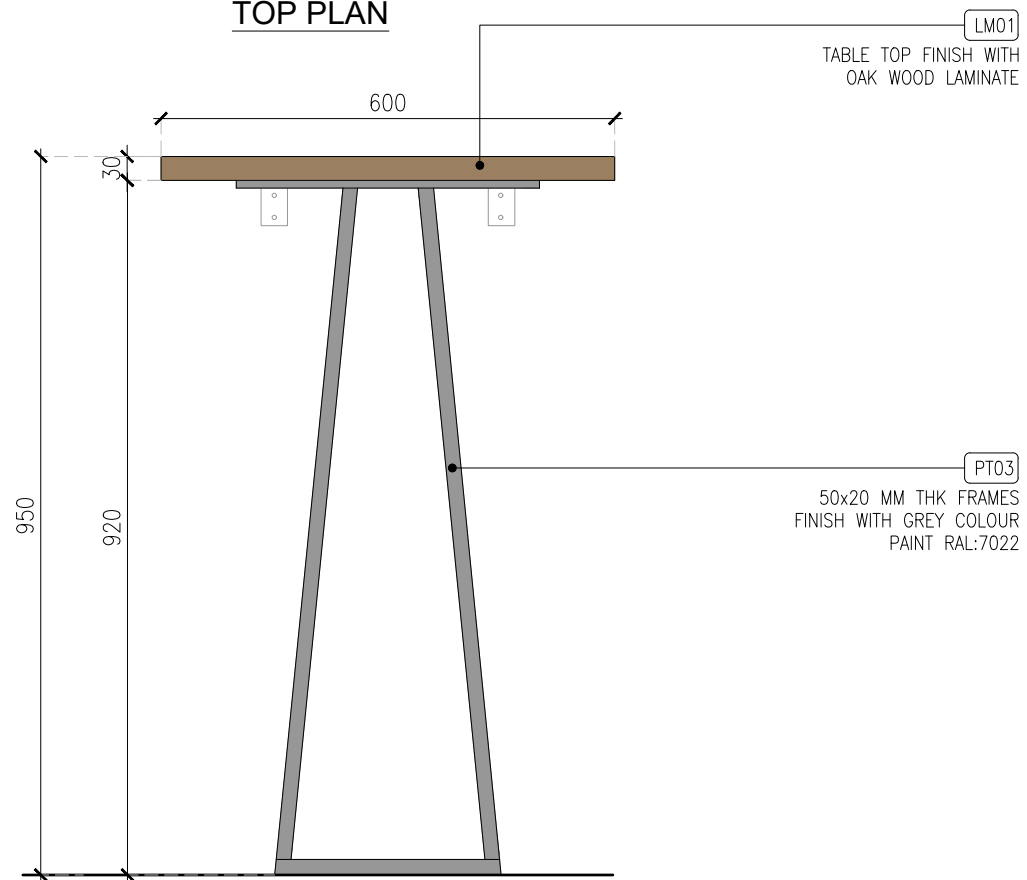
SCALE 1:10    DATE 18.04.2024    DRAWN HOD    A3 SHEET

STATUS  
**TENDER**

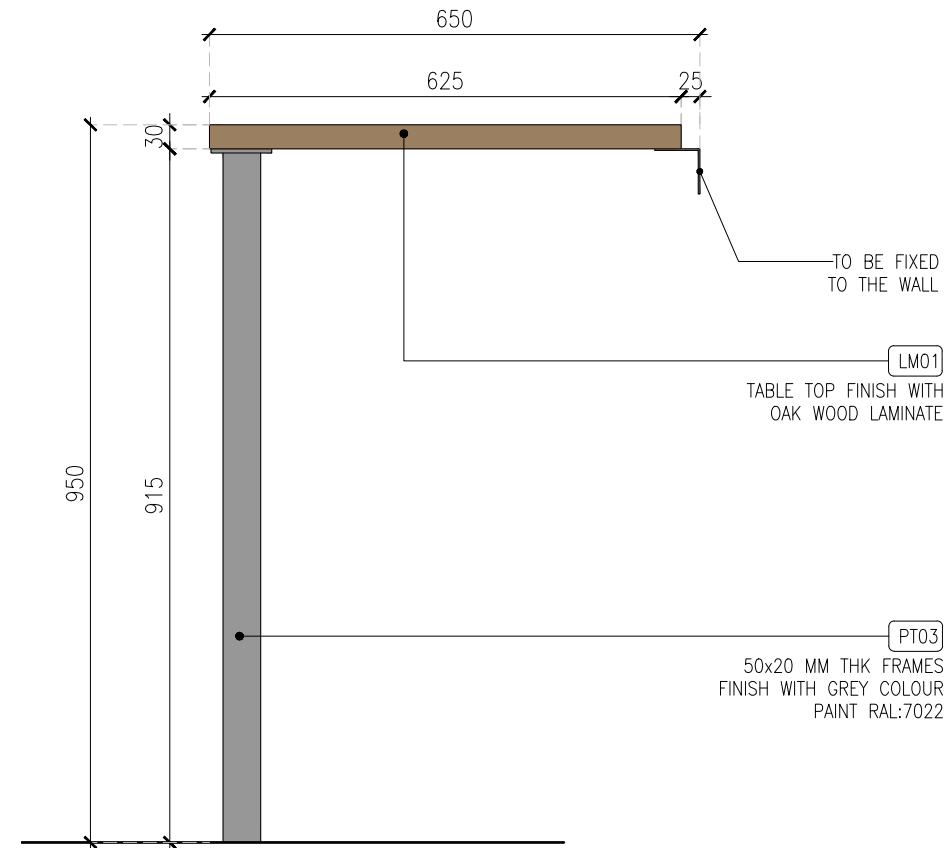
ORG	PROJECT NO	DRAWING TYPE	NUMBER	REV
TFS	0000	04DE	406A	T01



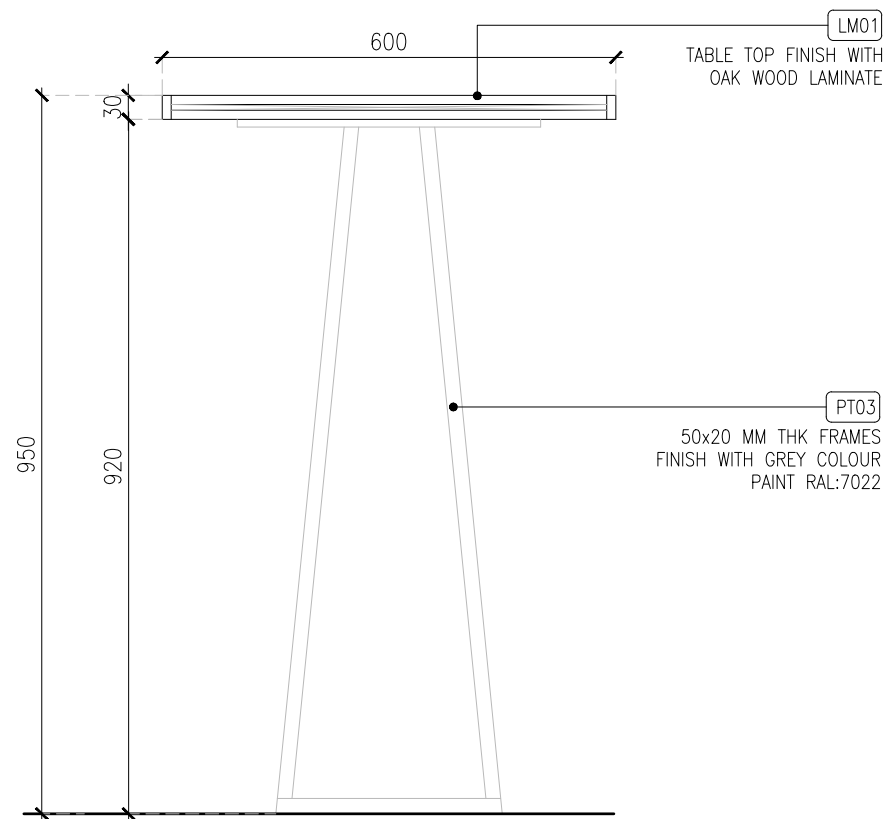
TOP PLAN



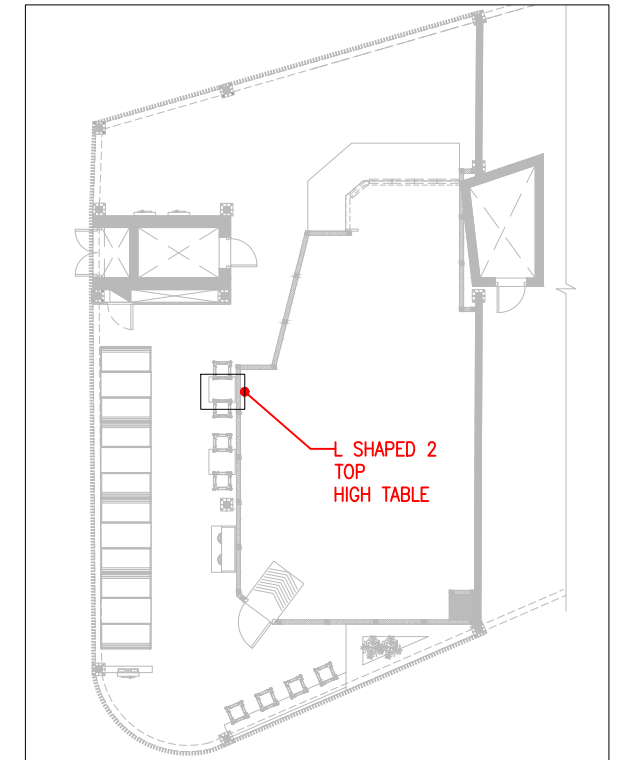
ELEVATION-02



ELEVATION-01



SECTION-02



KEYPLAN

REV	DATE	DESCRIPTION	HOD	NM
C01	18.04.24	TENDER		
			DRN	CHK



PROJECT  
CARLSJR FF018  
GMR INTERNATIONAL  
AIRPORT LIMITED,  
HYDERABAD

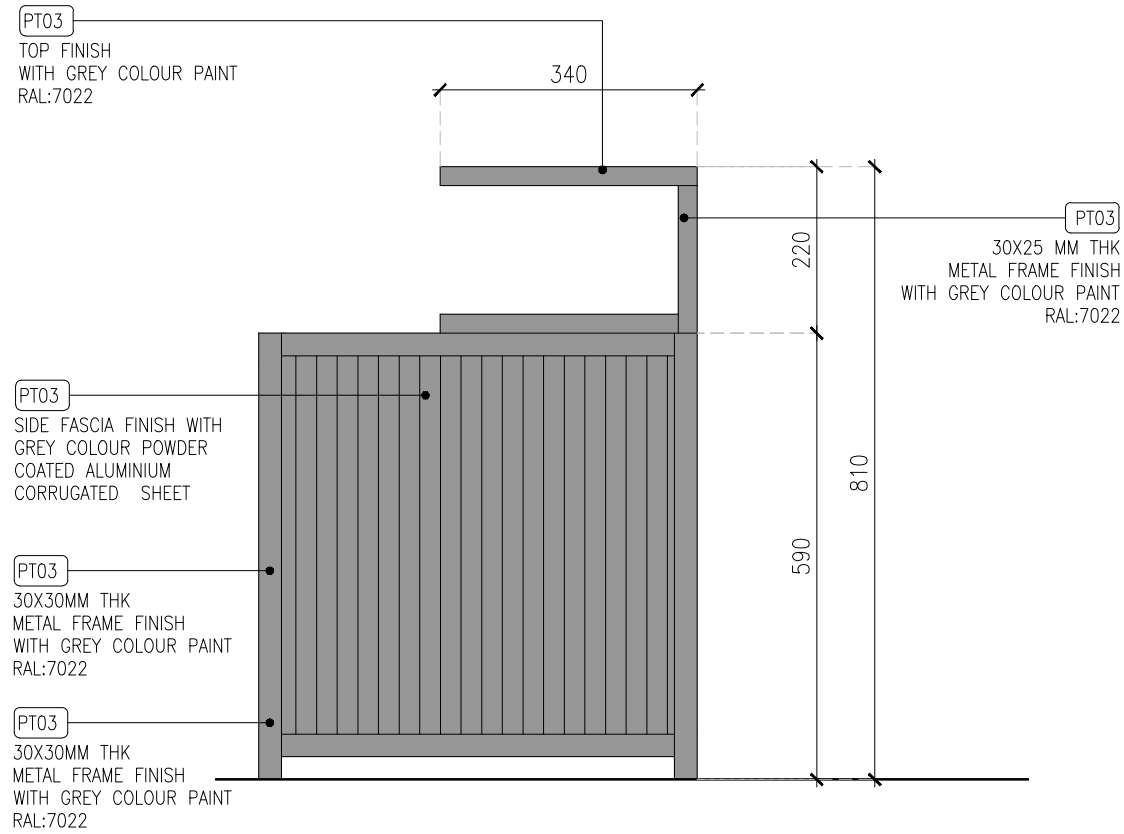
DRAWING TITLE  
J08-L SHAPED 2 TOP HIGH TABLE

SCALE 1:10 DATE 18.04.2023 DRAWN HOD A3 SHEET

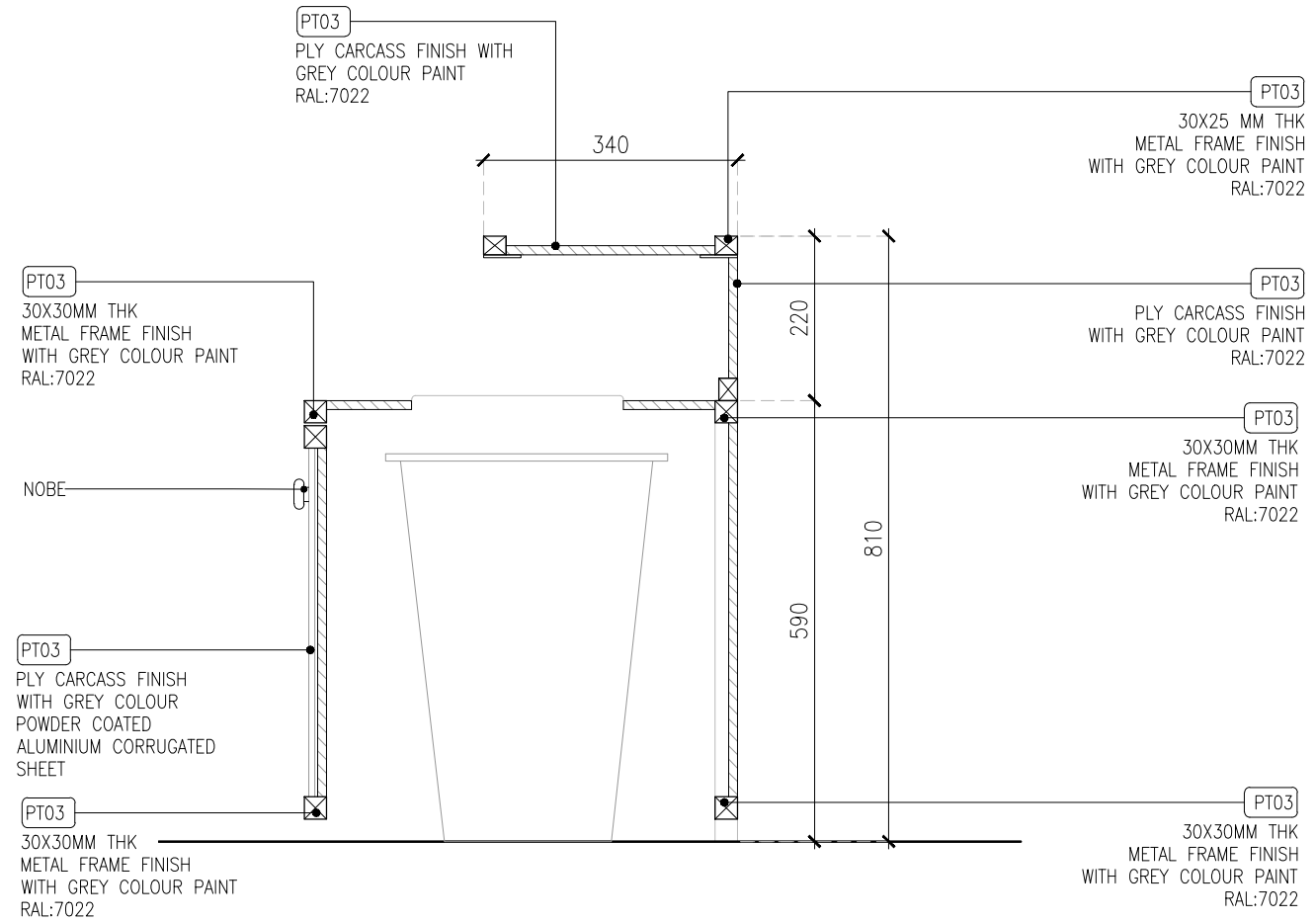
STATUS  
TENDER

ORG	PROJECT NO	DRAWING TYPE	NUMBER	REV
TFS	0000	04DE	407	T01

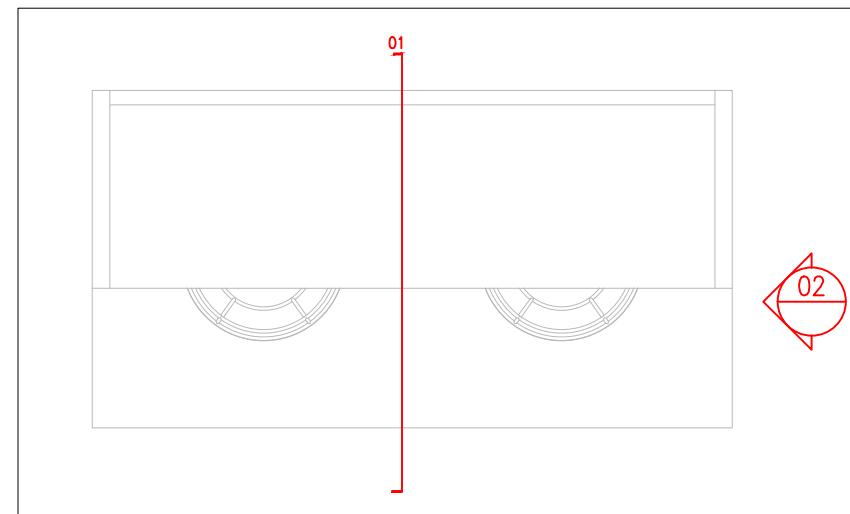




01 ELEVATION-02  
04DE-408B 1:10



02 SECTION-01  
04DE-408B 1:10



KEYPLAN

C01	18.04.24	TENDER	HOD	NM
REV	DATE	DESCRIPTION	DRN	CHK



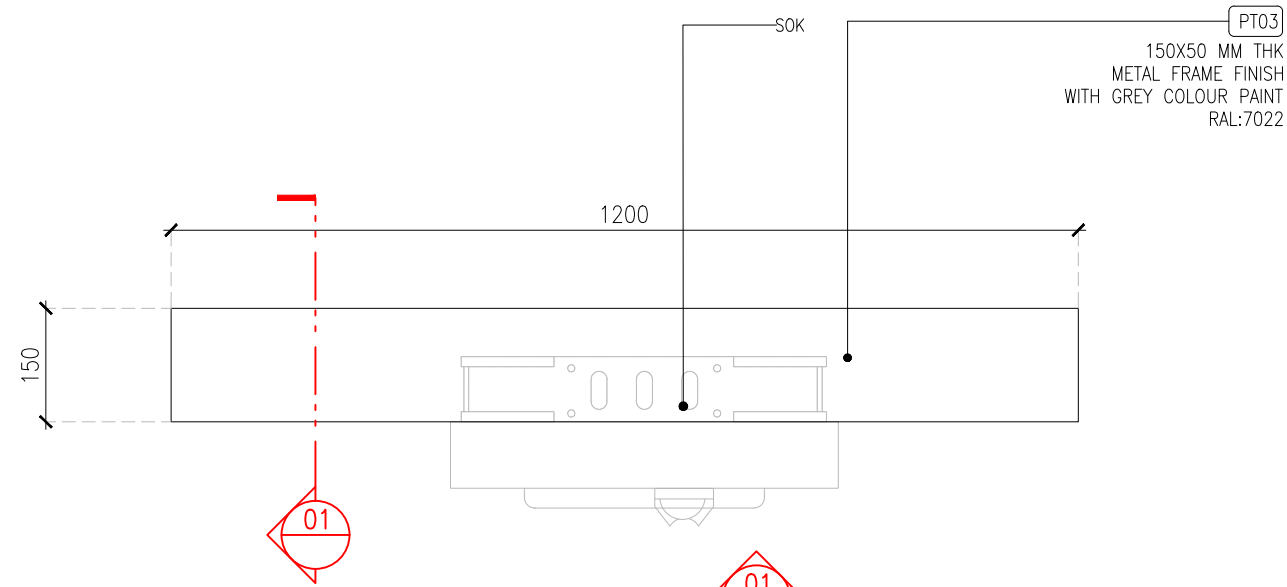
PROJECT  
CARLSJR FF018  
GMR INTERNATIONAL  
AIRPORT LIMITED,  
HYDERABAD

DRAWING TITLE  
J09-CONDIMENT UNIT DETAIL- PART:B

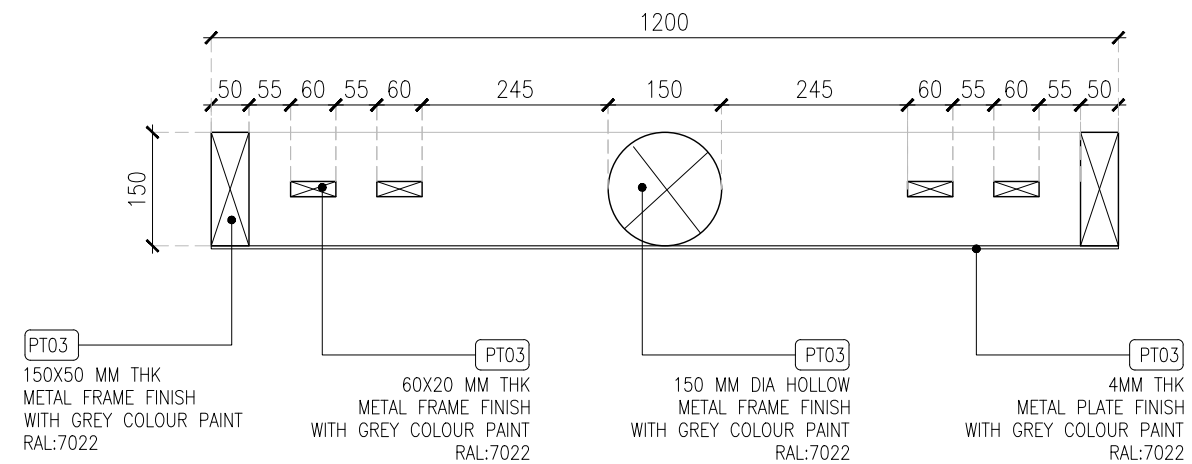
SCALE 1:10 DATE 18.04.2023 DRAWN HOD A3 SHEET

STATUS  
TENDER

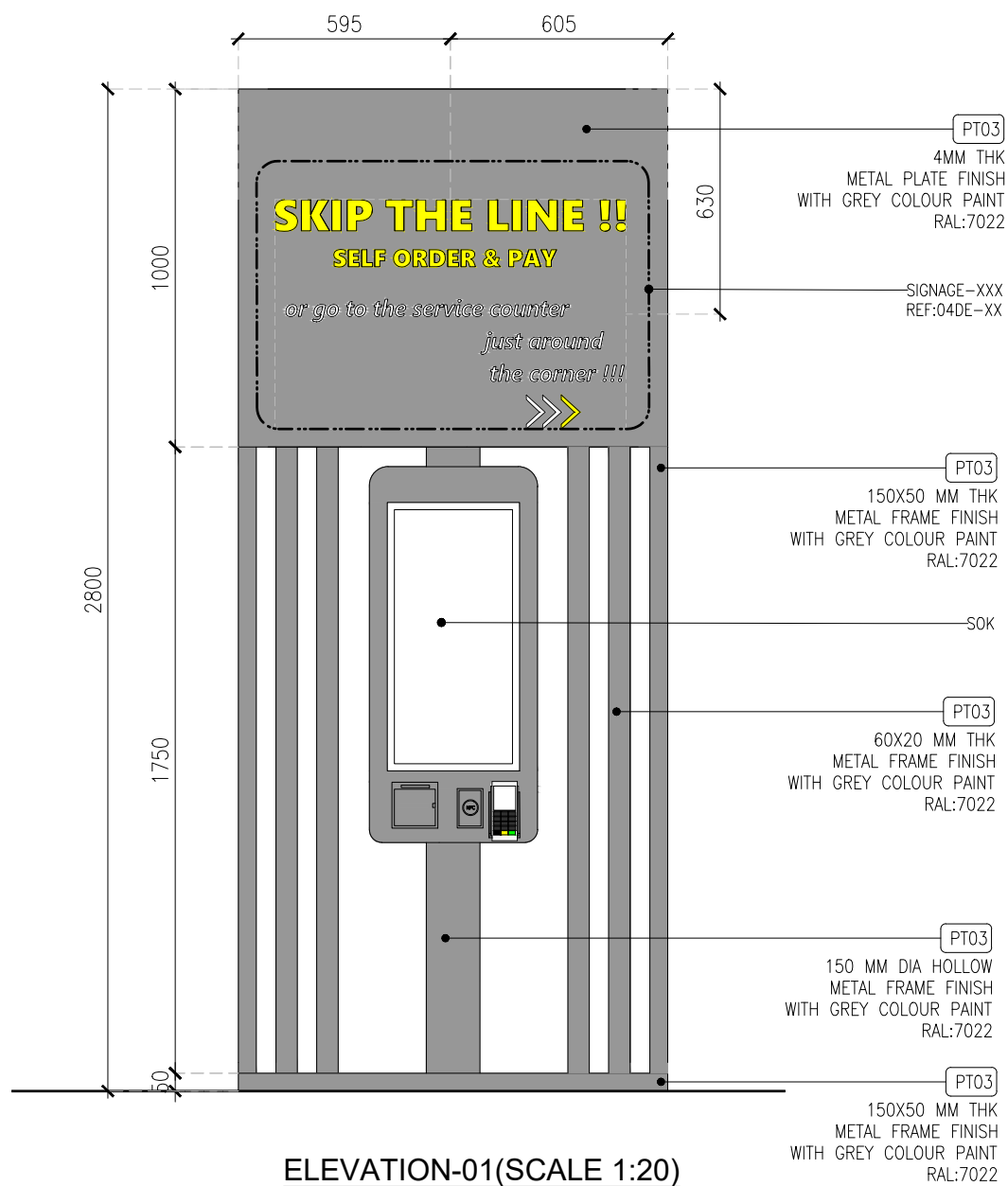
ORG	PROJECT NO	DRAWING TYPE	NUMBER	REV
TFS	0000	04DE	408B	T01



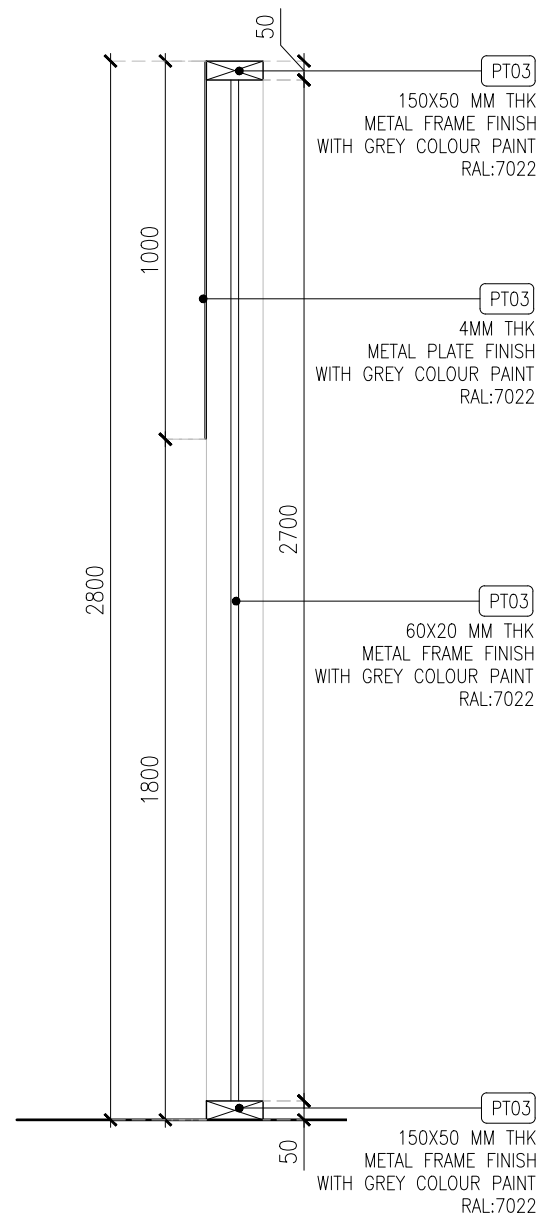
TOP PLAN(SCALE 1:10)



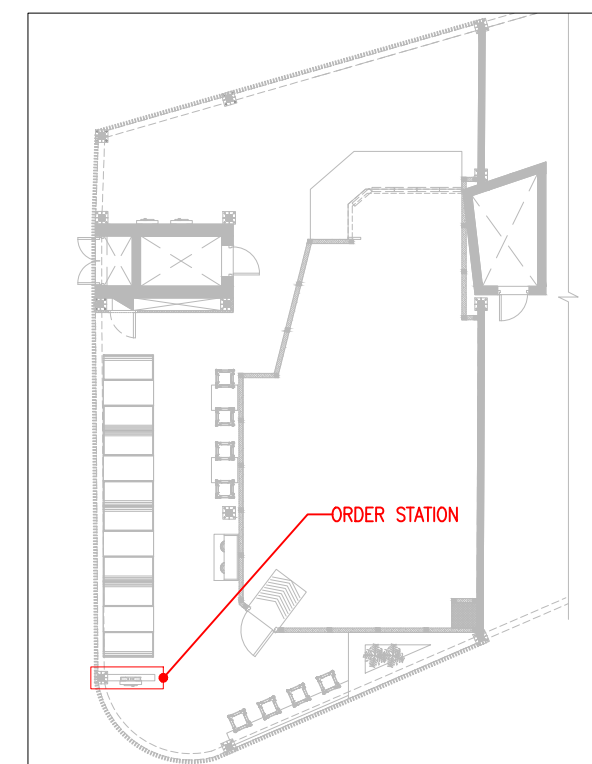
FRAMING PLAN @ 2000 MM LVL (SCALE 1:10)



ELEVATION-01(SCALE 1:20)



SECTION-01(SCALE 1:20)



KEYPLAN

REV	DATE	DESCRIPTION	HOD	NM
C01	18.04.24	TENDER		
			DRN	CHK



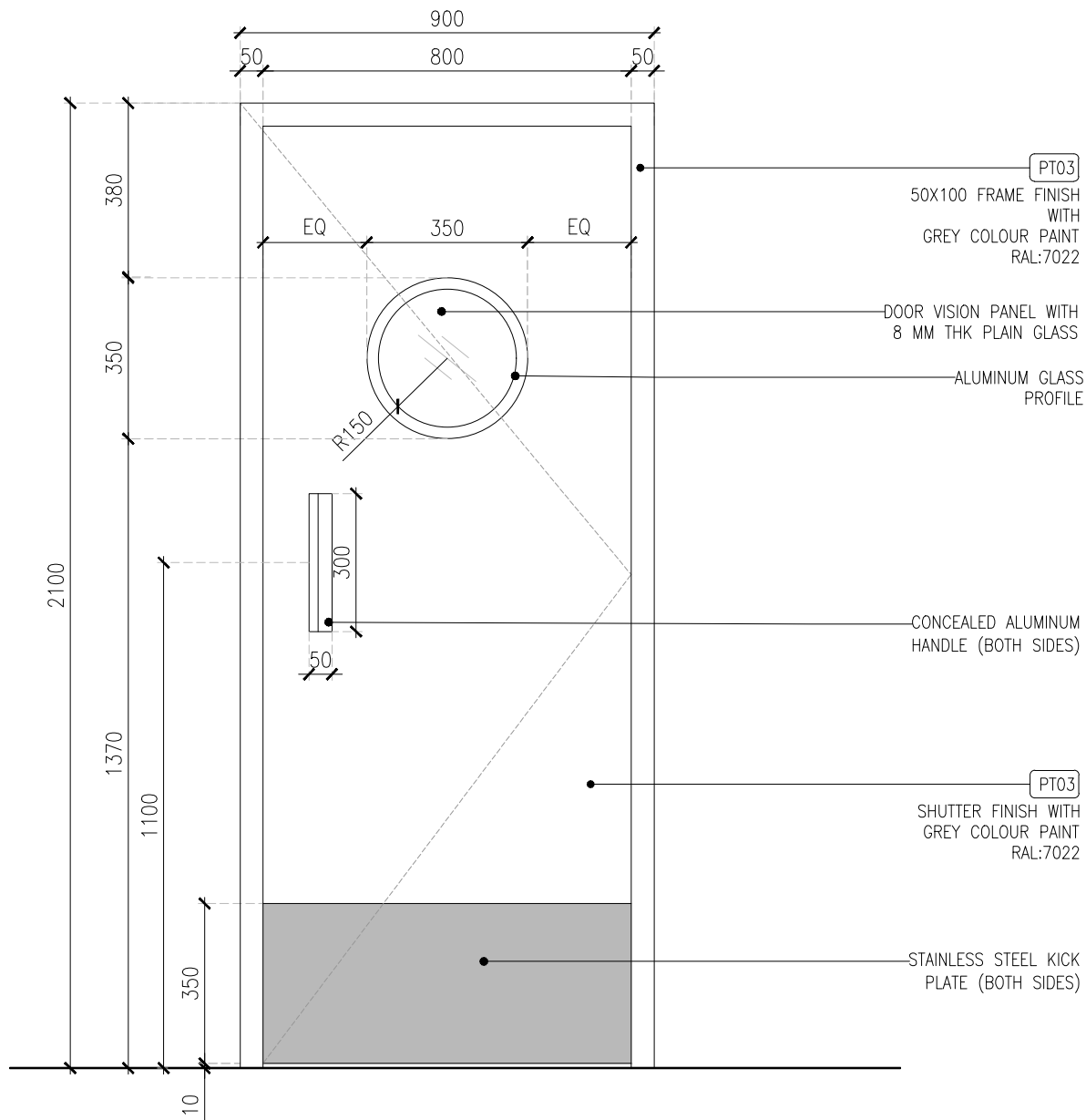
PROJECT  
**CARLSJR FF018**  
**GMR INTERNATIONAL**  
**AIRPORT LIMITED,**  
**HYDERABAD**

DRAWING TITLE  
**J10-ORDER STATION DETAIL**

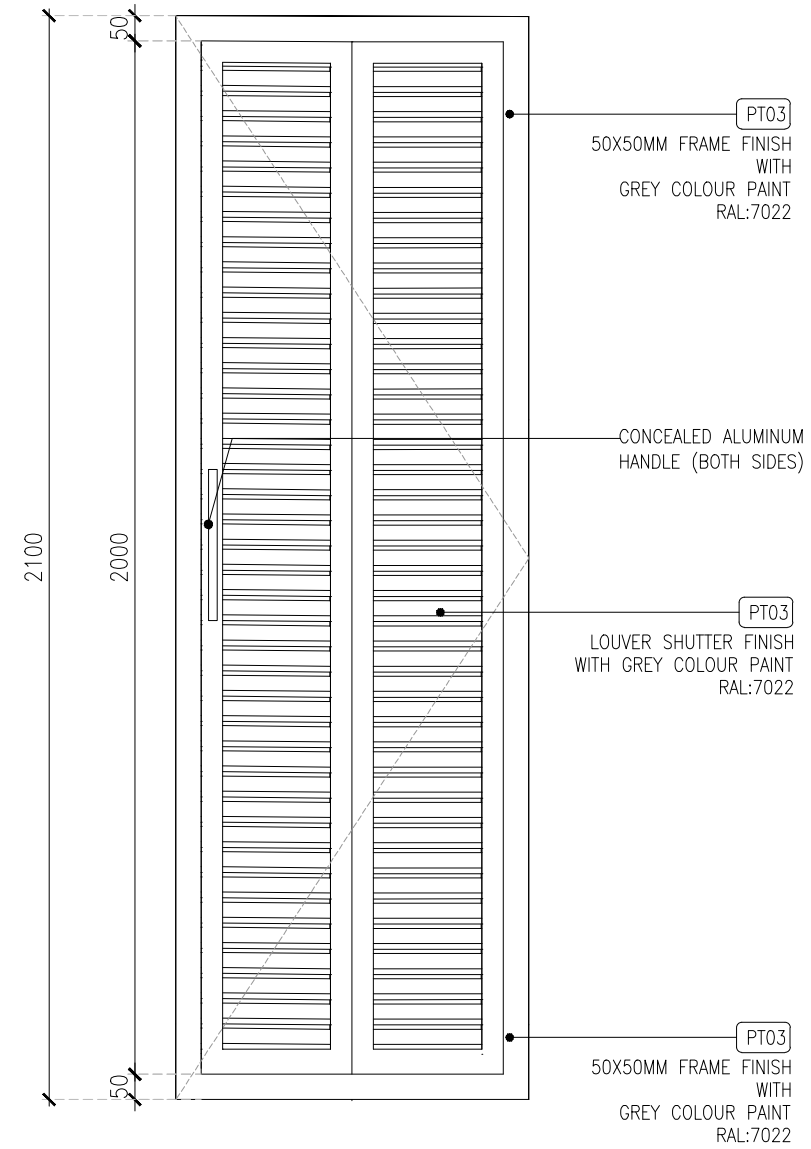
SCALE AS MENTIONED DATE 18.04.2023 DRAWN HOD A3 SHEET

STATUS  
**TENDER**

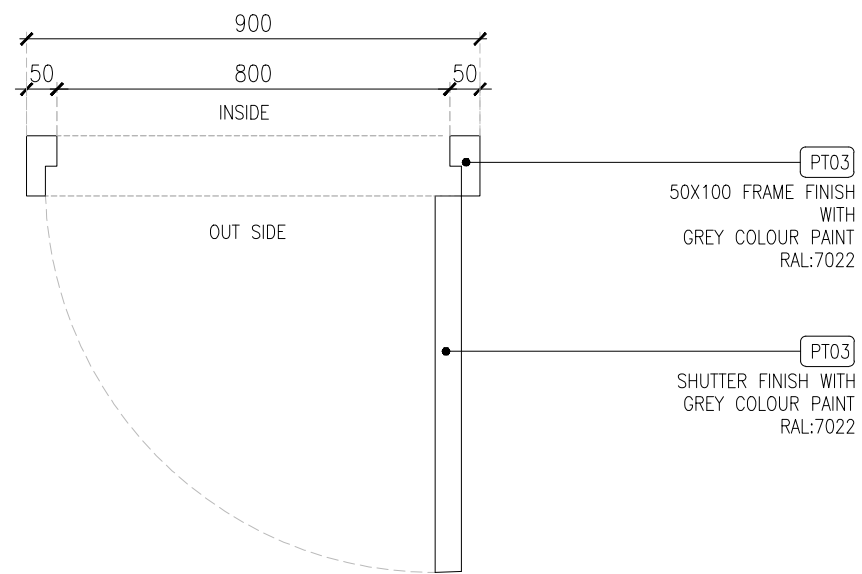
ORG	PROJECT NO	DRAWING TYPE	NUMBER	REV
TFS	0000	04DE	409	T01



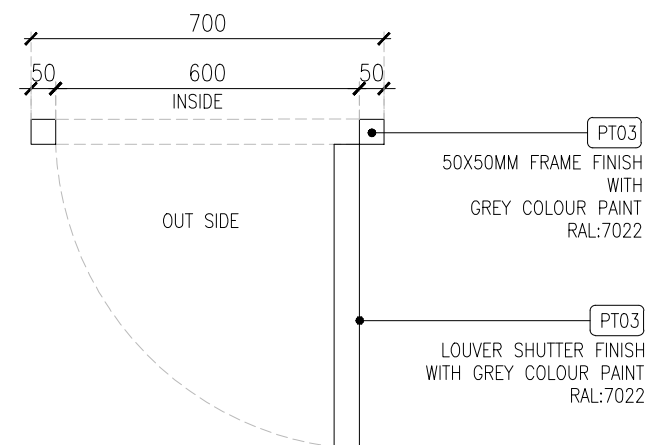
ELEVATION (D)



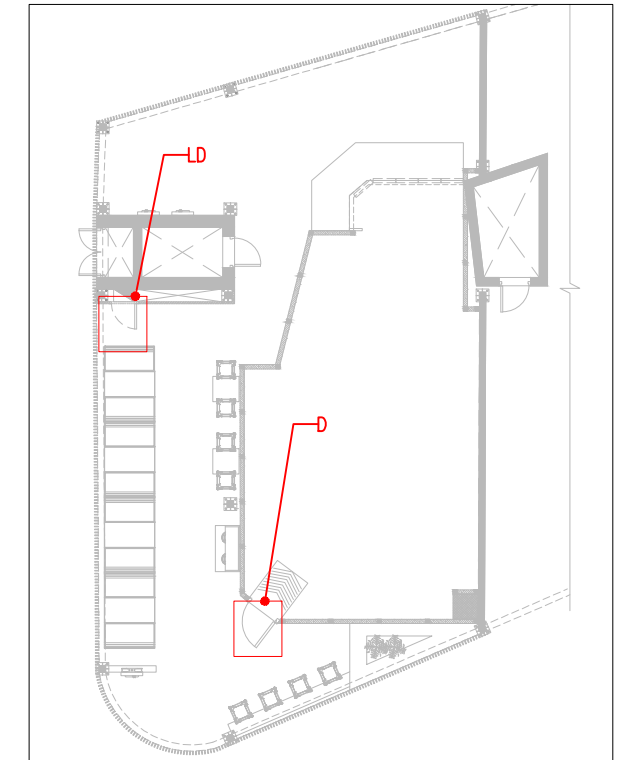
ELEVATION (LD)



PLAN (D1)



PLAN (LD)



KEYPLAN

REV	DATE	DESCRIPTION	HOD	NM	DRN	CHK
C01	18.04.24	TENDER				



PROJECT  
**CARLSJR FF018**  
**GMR INTERNATIONAL**  
**AIRPORT LIMITED,**  
**HYDERABAD**

DRAWING TITLE  
**J11-DOOR DETAIL (D) &**  
**J12-ISOLATOR LOUVRE DOOR (LD)**

SCALE AS MENTIONED DATE 18.04.2023 DRAWN HOD A3 SHEET

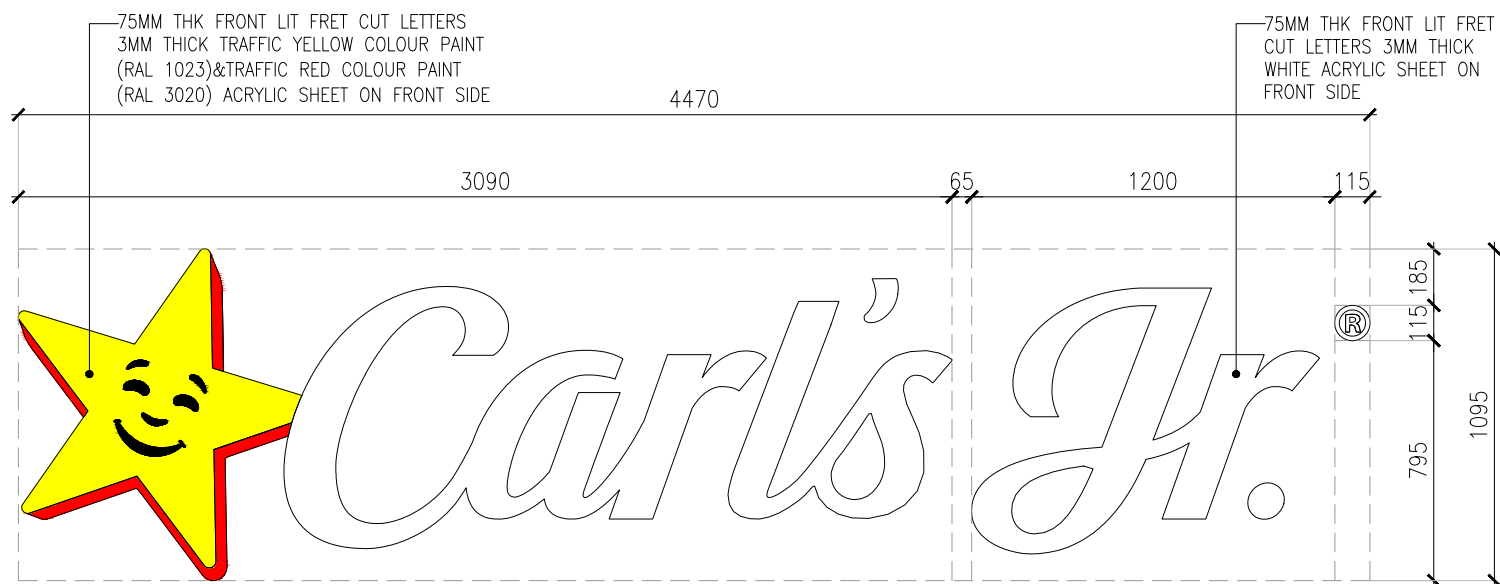
STATUS

TENDER

ORG	PROJECT NO	DRAWING TYPE	NUMBER	REV
TFS	0000	04DE	410	T01

01 J11-DOOR DETAIL (D1)  
04DE-410 1:15

01 J12-ISOLATOR LOUVRE DOOR (LD)  
04DE-410 1:15



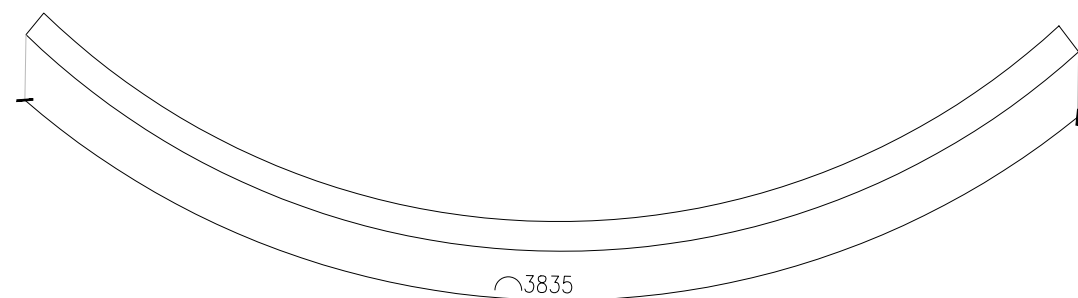
01 SG01-SIGNAGE:01(2 NOS)  
04DE-411 / 1:25



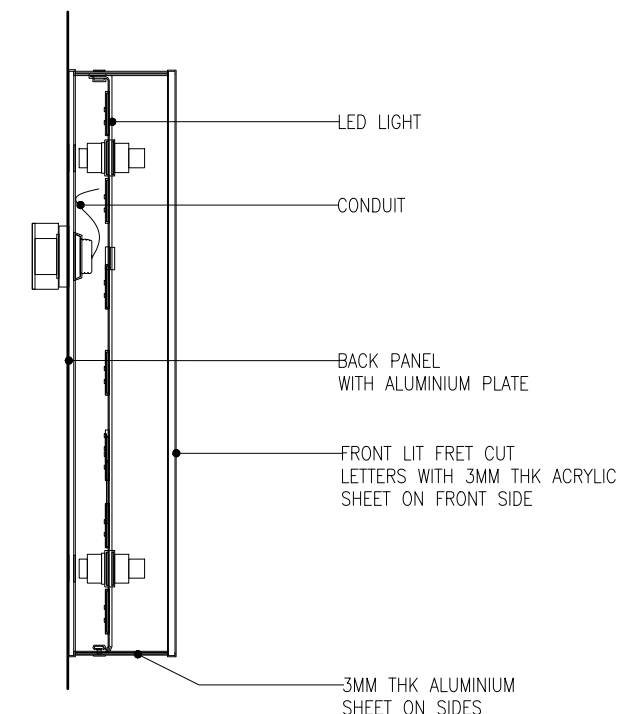
02 SG02-SIGNAGE:02  
04DE-411 / 1:25



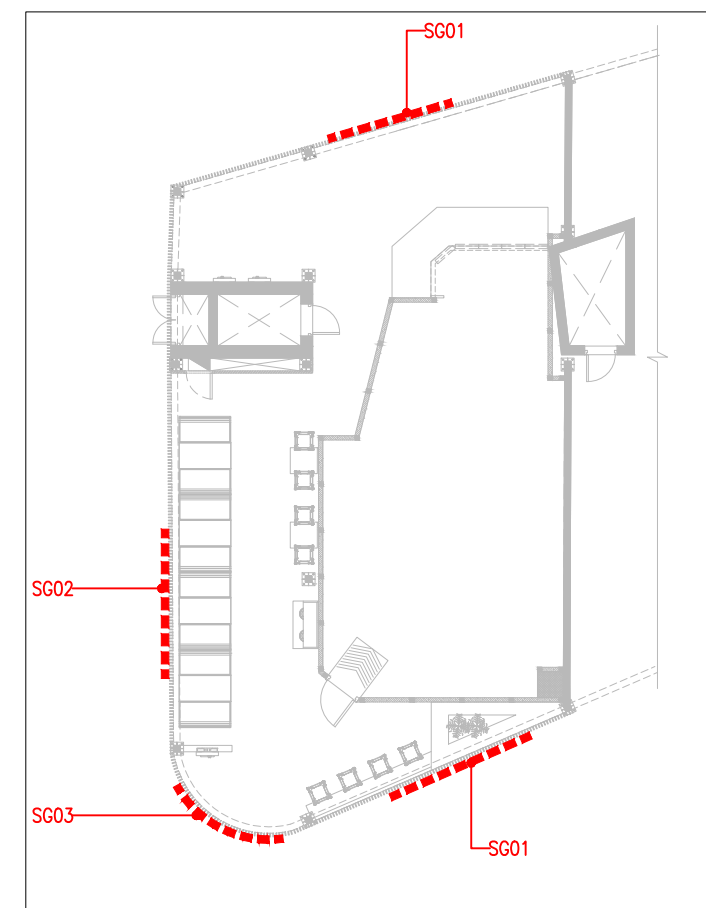
03 SG03-SIGNAGE:03  
04DE-411 / 1:25



TOP PLAN OF SG03 (SCALE 1:25)



TYPICAL SECTION OF  
FRONT LIT SIGNAGE



KEYPLAN

REV	DATE	DESCRIPTION	HOD	NM	DRN	CHK
C01	18.04.24	TENDER				



PROJECT  
CARLSJR FF018  
GMR INTERNATIONAL  
AIRPORT LIMITED,  
HYDERABAD

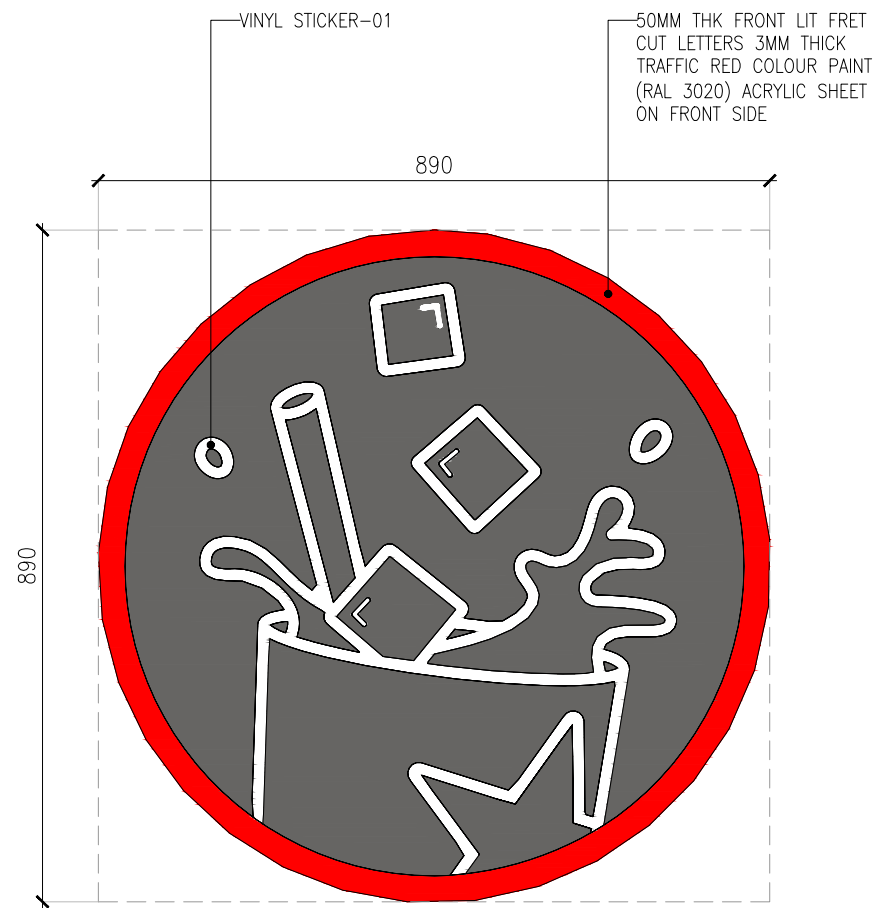
DRAWING TITLE  
J13-SIGNAGE DETAIL : PART-A

SCALE AS MENTIONED DATE 18.04.2024 DRAWN HOD A3 SHEET

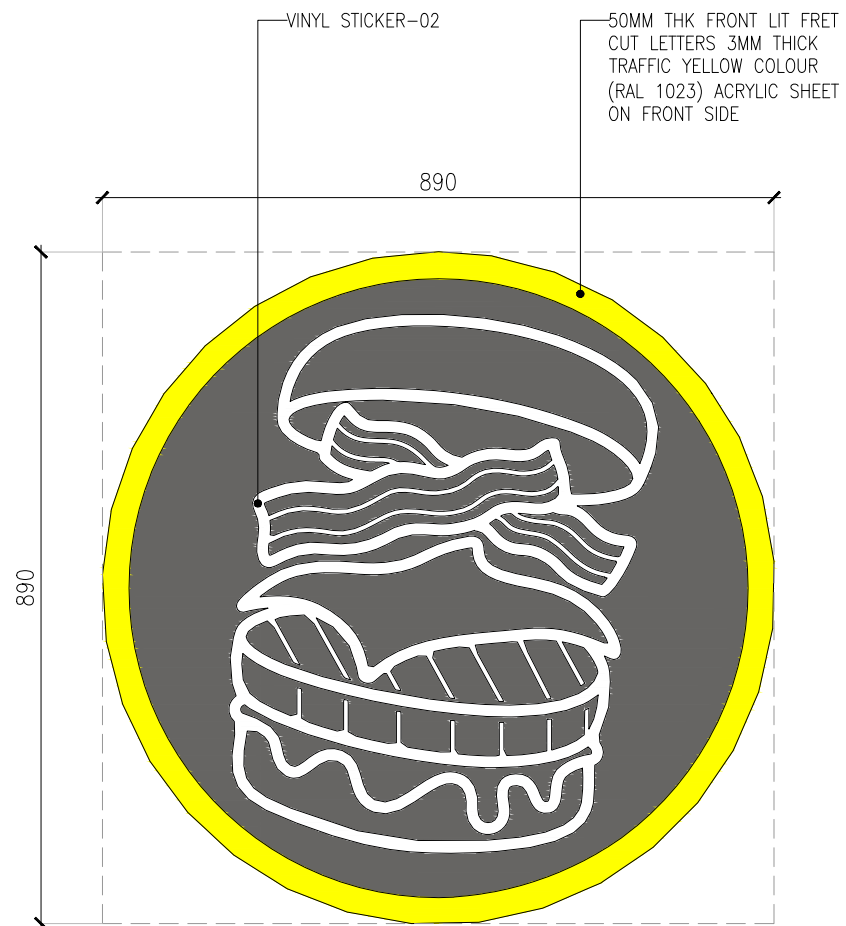
STATUS  
TENDER

ORG	PROJECT NO	DRAWING TYPE	NUMBER	REV
TFS	0000	04DE	411	T01

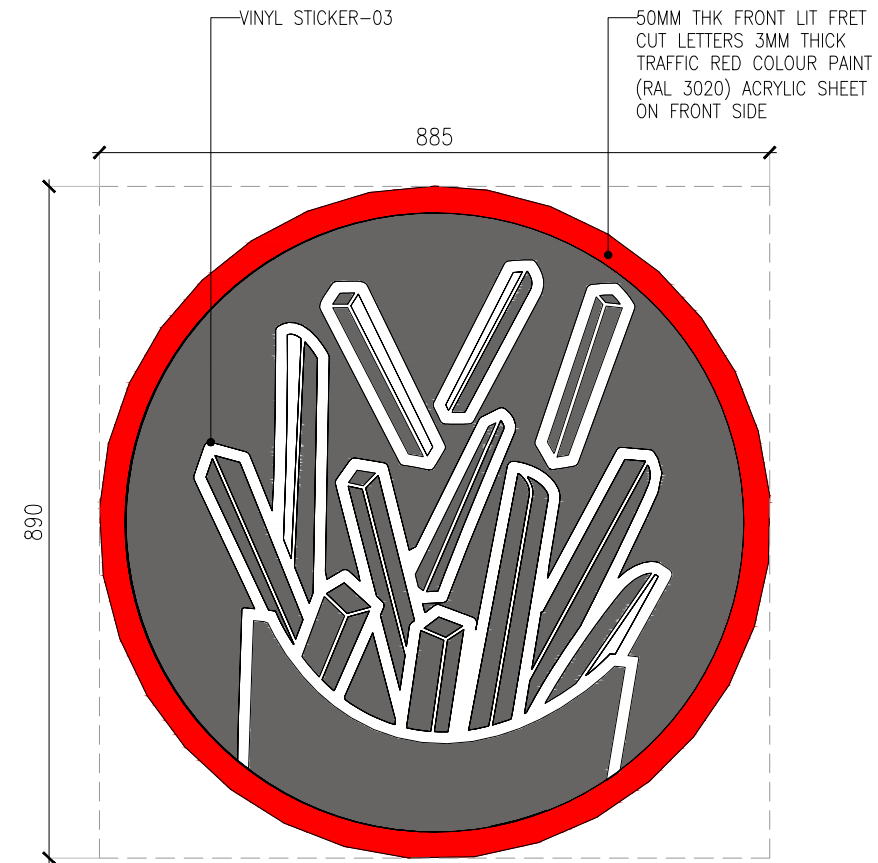




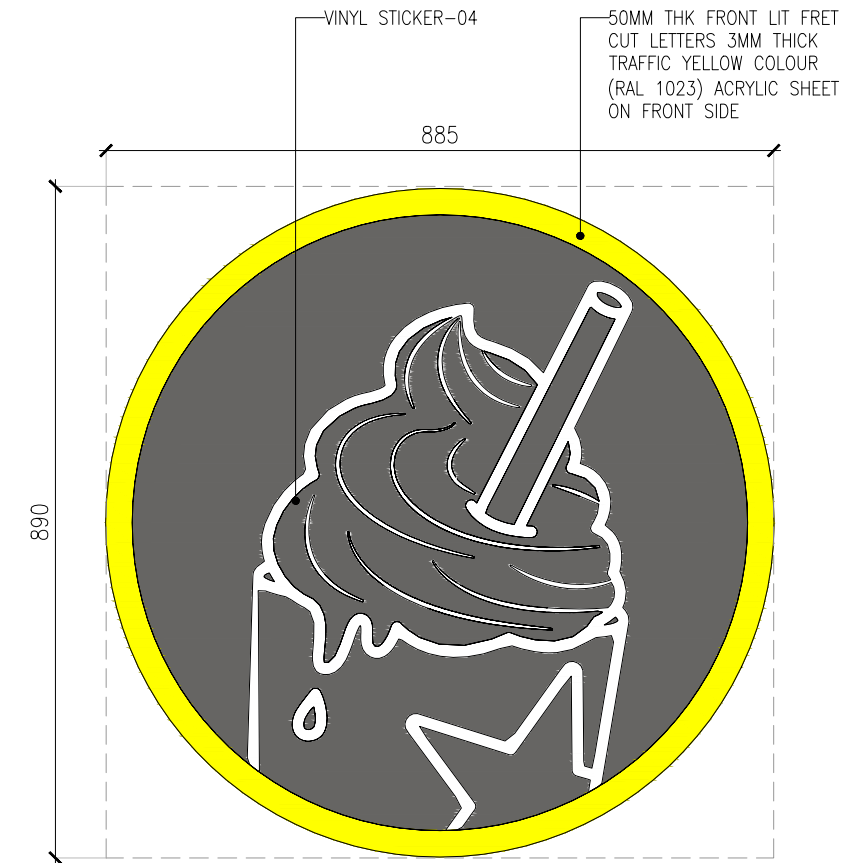
01 SG04-SIGNAGE:04 (2 NOS)  
04DE-412 1:10



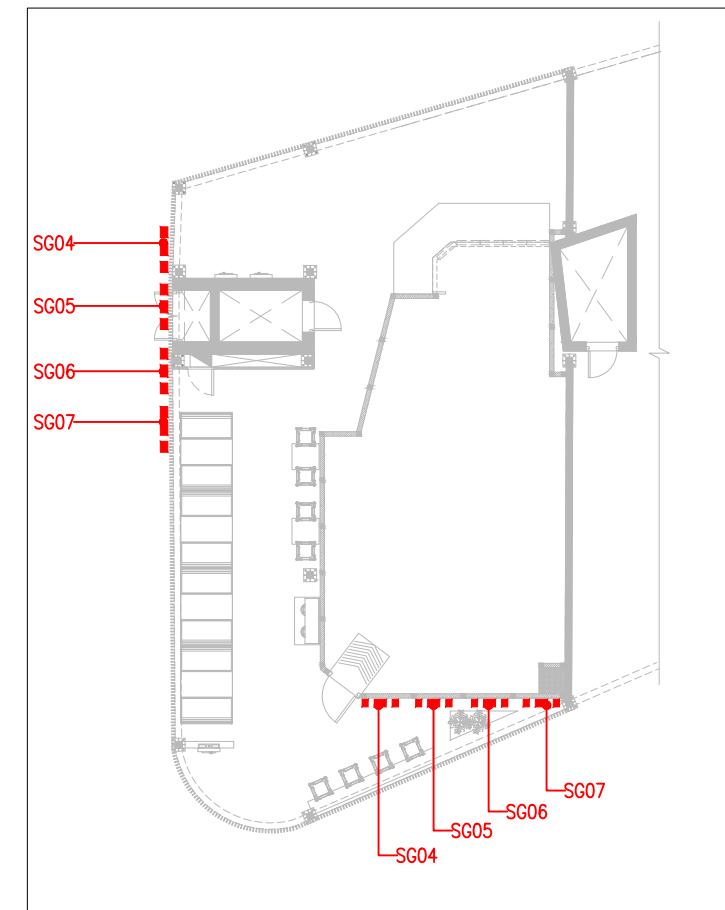
02 SG05-SIGNAGE:05 (2 NOS)  
04DE-412 1:10



03 SG06-SIGNAGE:06 (2 NOS)  
04DE-412 1:10



04 SG07-SIGNAGE:07 (2 NOS)  
04DE-412 1:10



KEYPLAN

C01	18.04.24	TENDER	HOD	NM
REV	DATE	DESCRIPTION	DRN	CHK



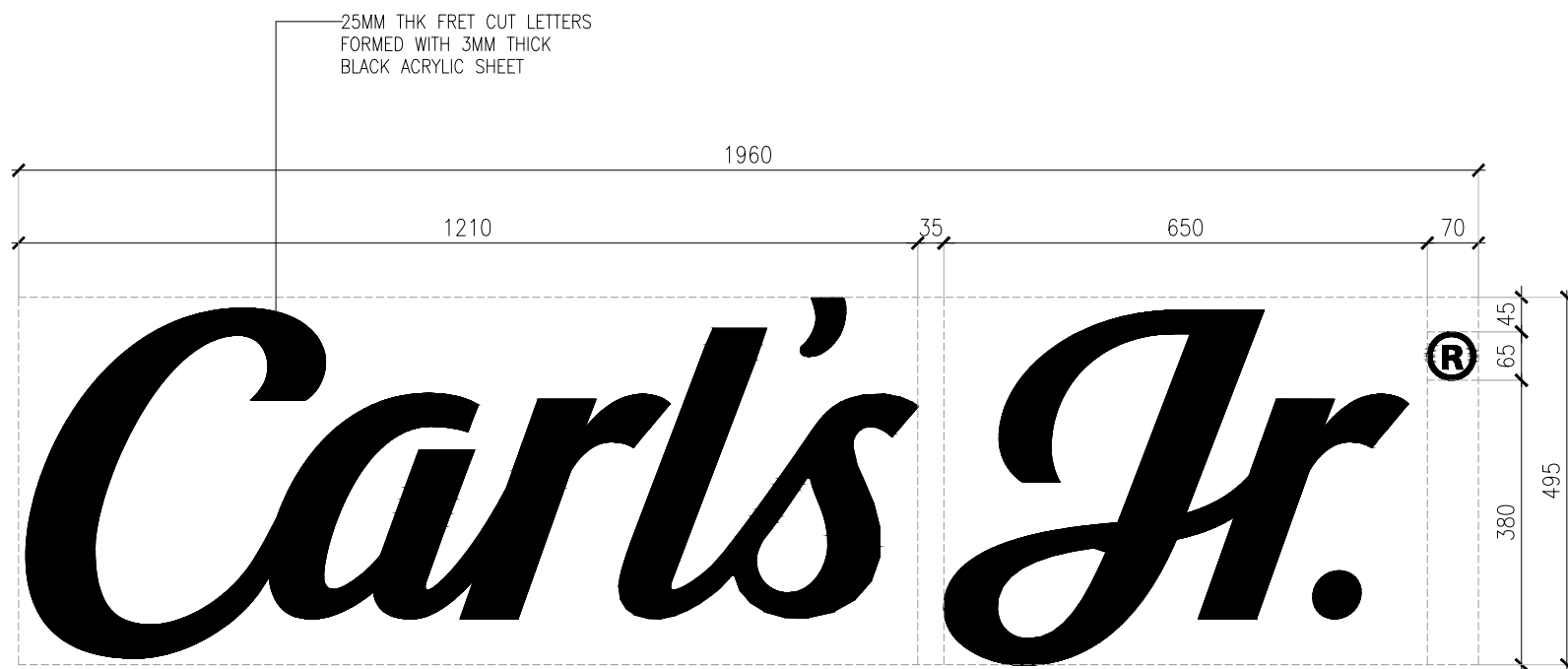
PROJECT  
CARLSJR FF018  
GMR INTERNATIONAL  
AIRPORT LIMITED,  
HYDERABAD

DRAWING TITLE  
J13-SIGNAGE DETAIL : PART-B

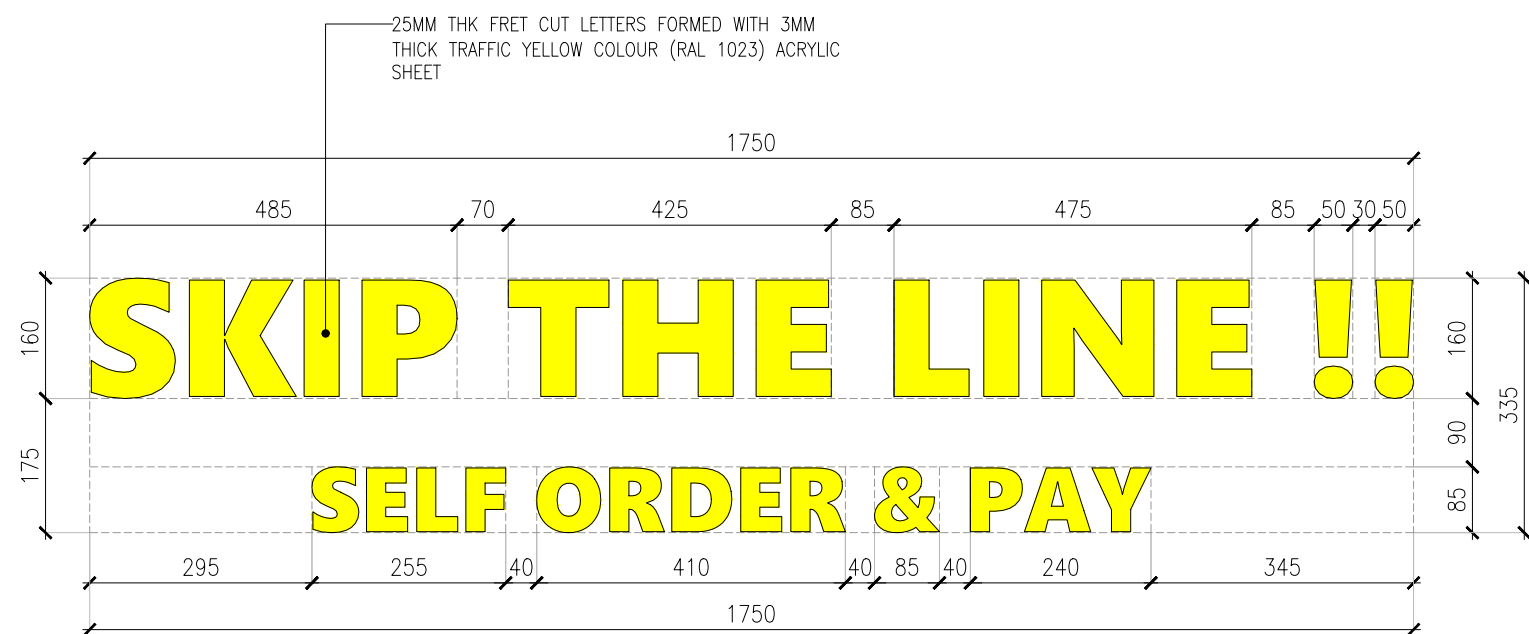
SCALE 1:10 DATE 18.04.2024 DRAWN HOD A3 SHEET

STATUS  
TENDER

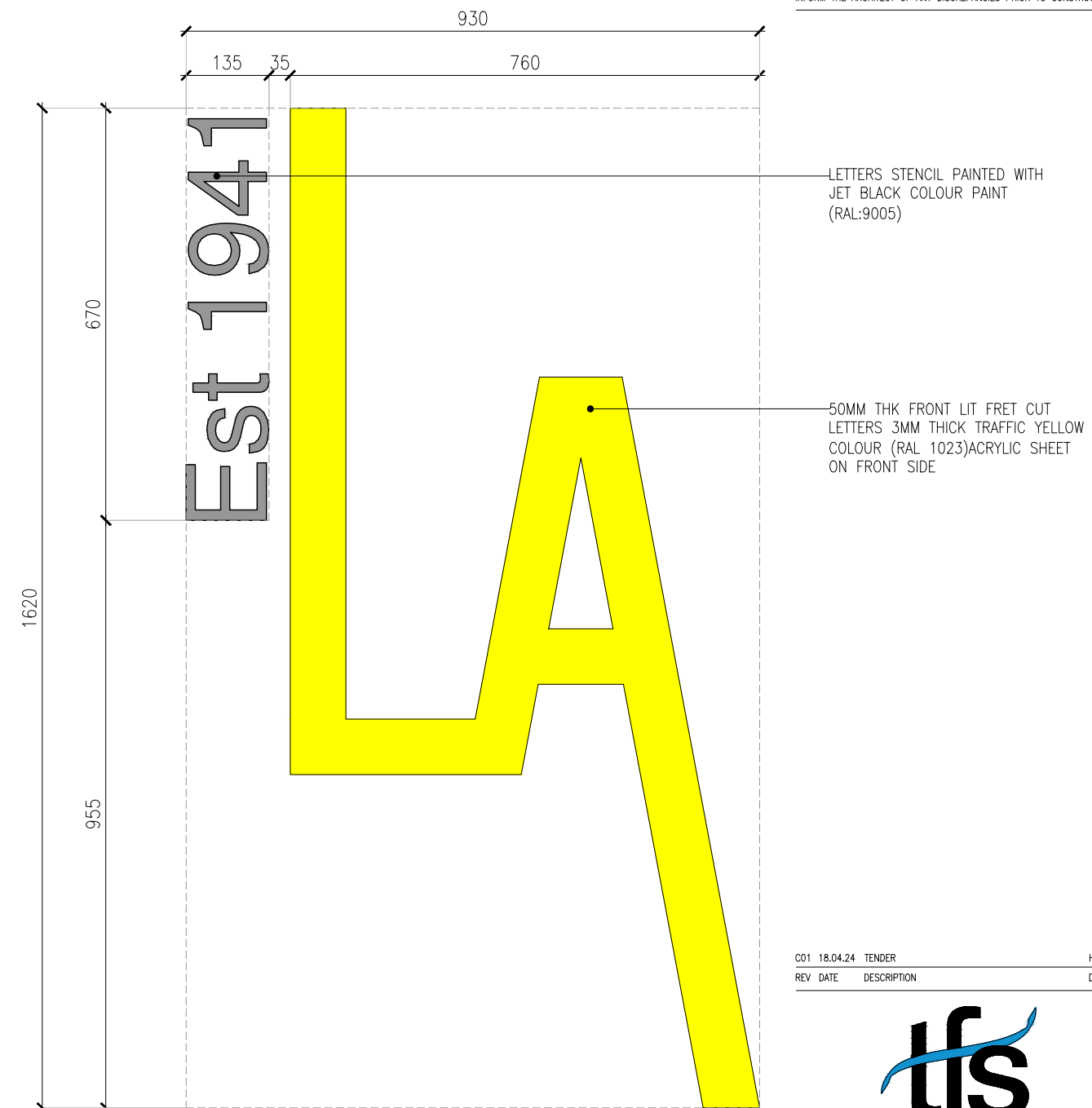
ORG	PROJECT NO	DRAWING TYPE	NUMBER	REV
TFS	0000	04DE	412	T01



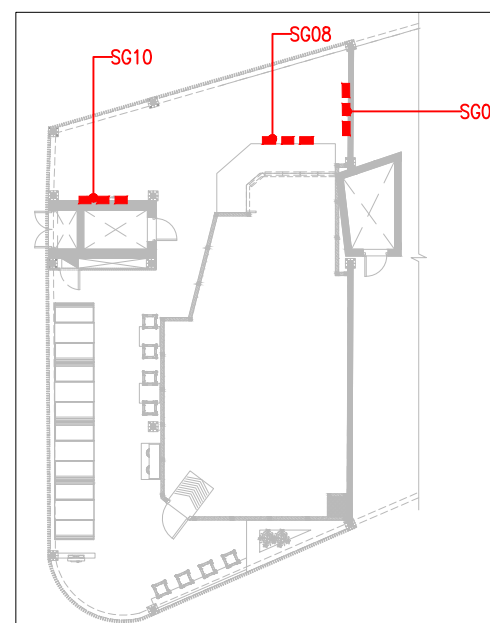
01 SG08-SIGNAGE:08  
04DE-413 1:10



03 SG10-SIGNAGE:10  
04DE-413 1:10



02 SG09-SIGNAGE:09  
04DE-413 1:10



KEYPLAN

REV	DATE	DESCRIPTION	HOD	NM
C01	18.04.24	TENDER		
			DRN	CHK



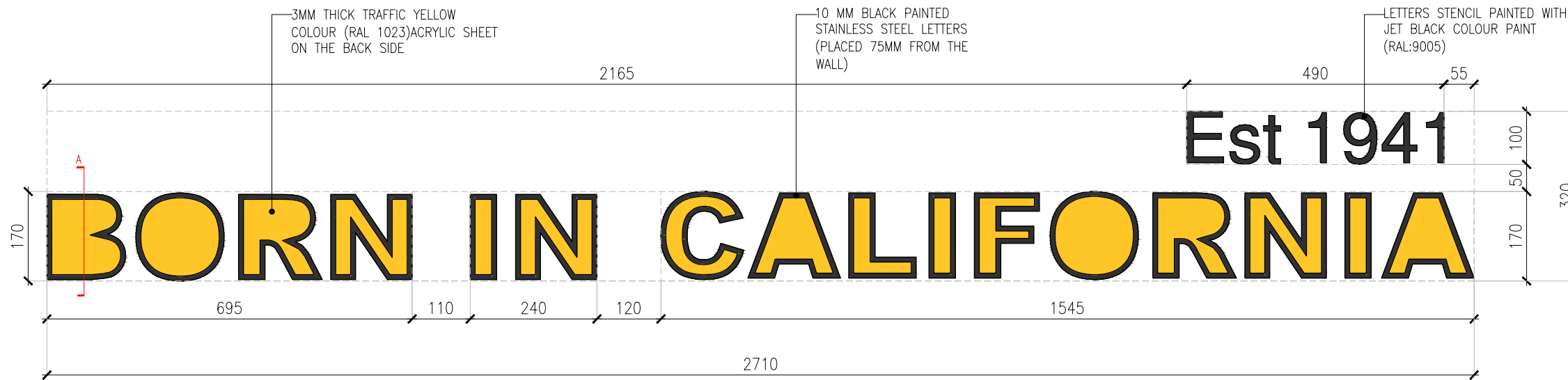
PROJECT  
CARLSJR FF018  
GMR INTERNATIONAL  
AIRPORT LIMITED,  
HYDERABAD

DRAWING TITLE  
J13-SIGNAGE DETAIL : PART-C

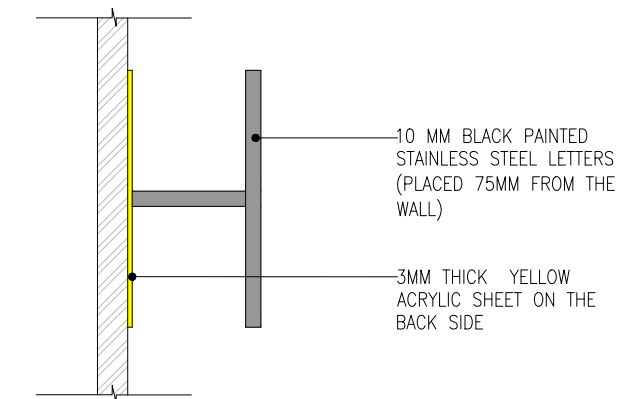
SCALE 1:10 DATE 18.04.2024 DRAWN HOD A3 SHEET

STATUS  
TENDER

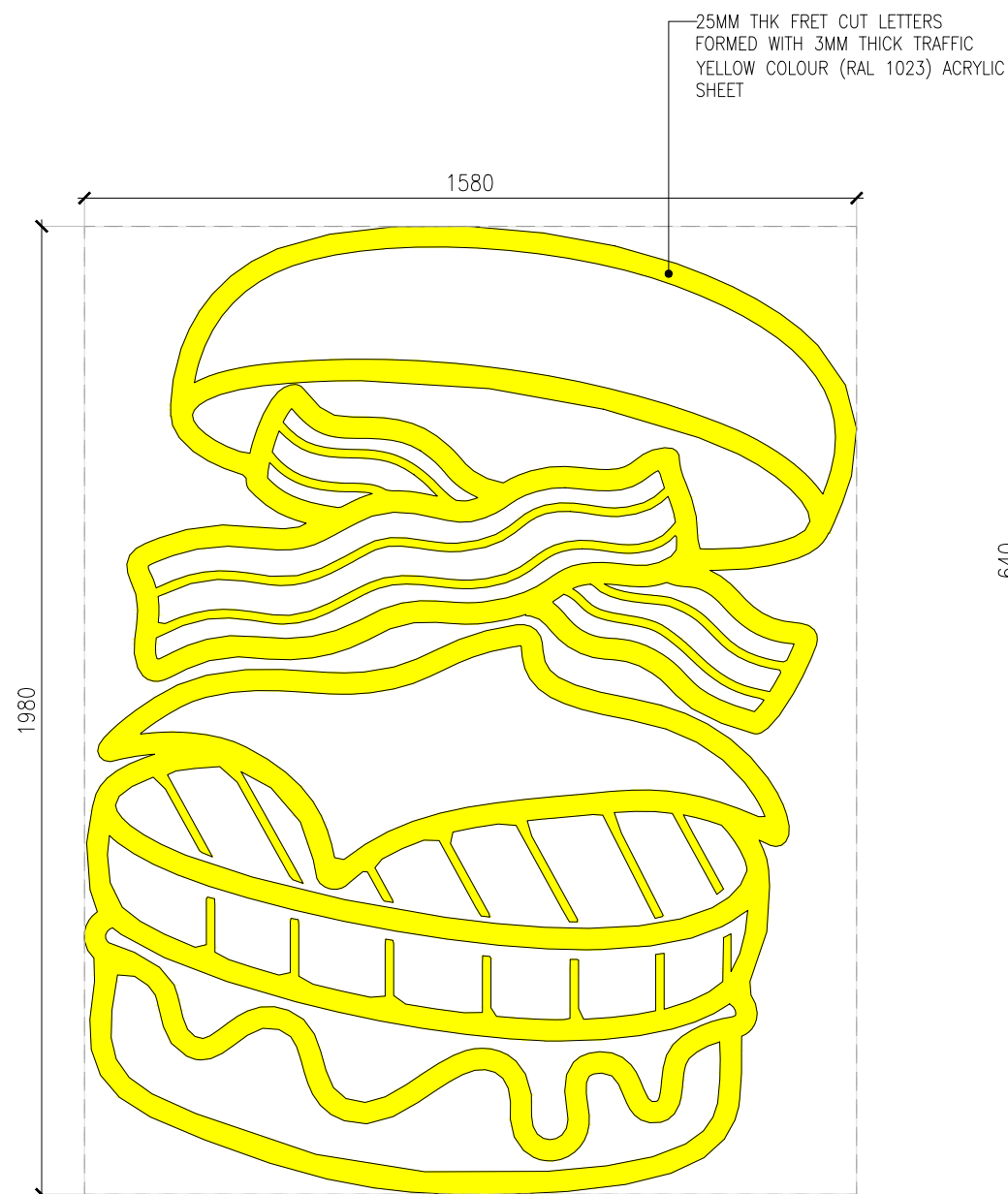
ORG	PROJECT NO	DRAWING TYPE	NUMBER	REV
TFS	0000	04DE	413	T01



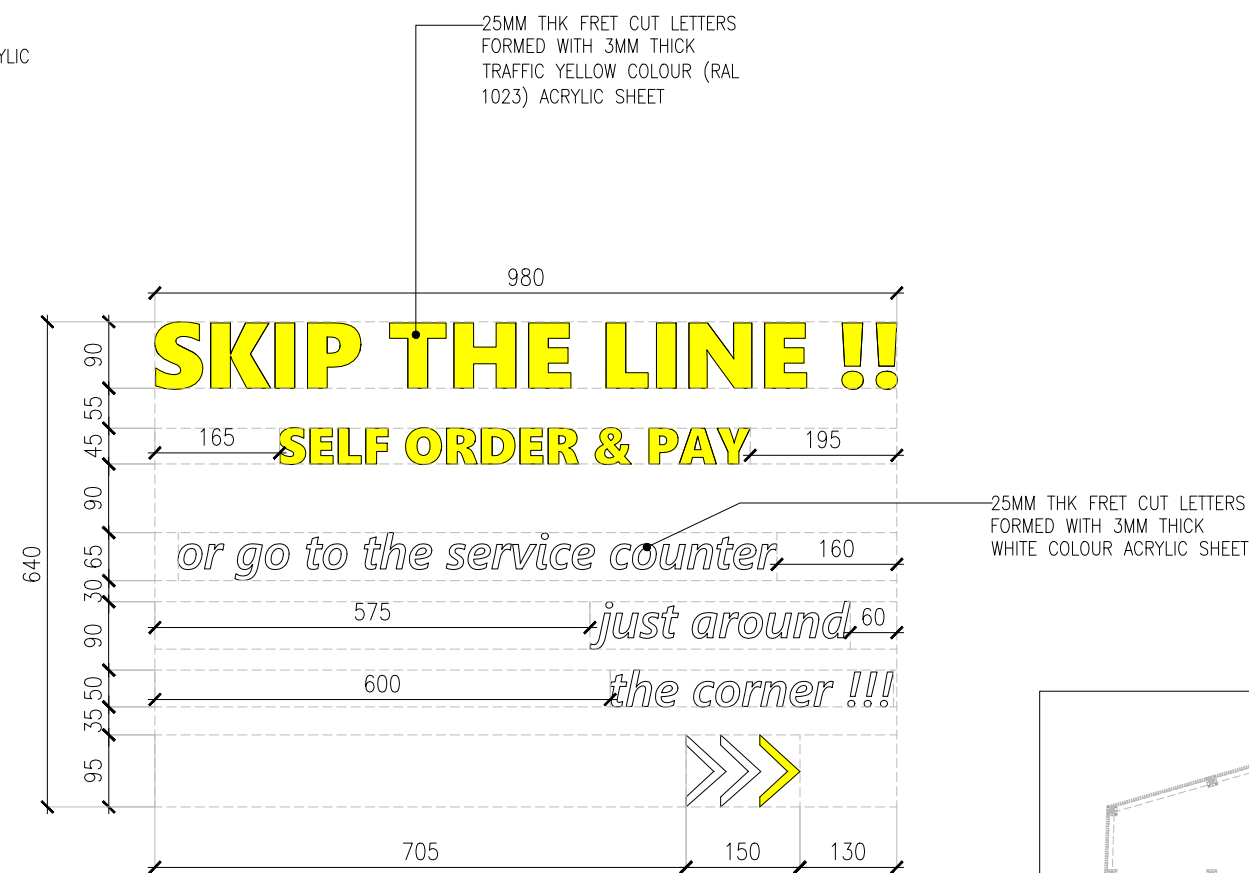
01 SG11-SIGNAGE:11  
04DE-414 1:10



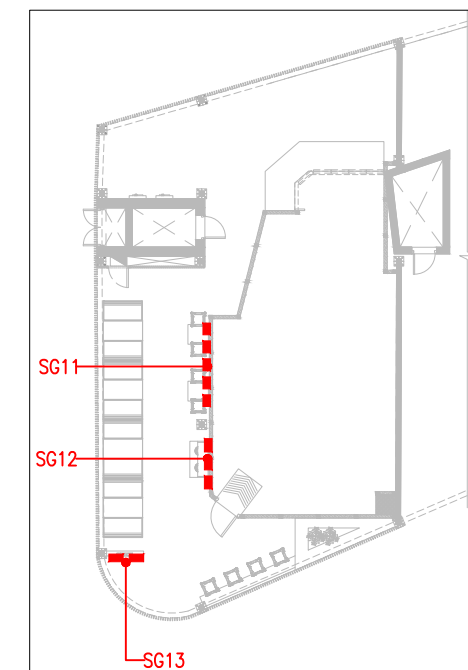
SECTION -A



02 SG12-SIGNAGE:12  
04DE-414 1:15



03 SG13-SIGNAGE:13  
04DE-414 1:10



KEYPLAN

C01	18.04.24	TENDER	HOD	NM
REV	DATE	DESCRIPTION	DRN	CHK



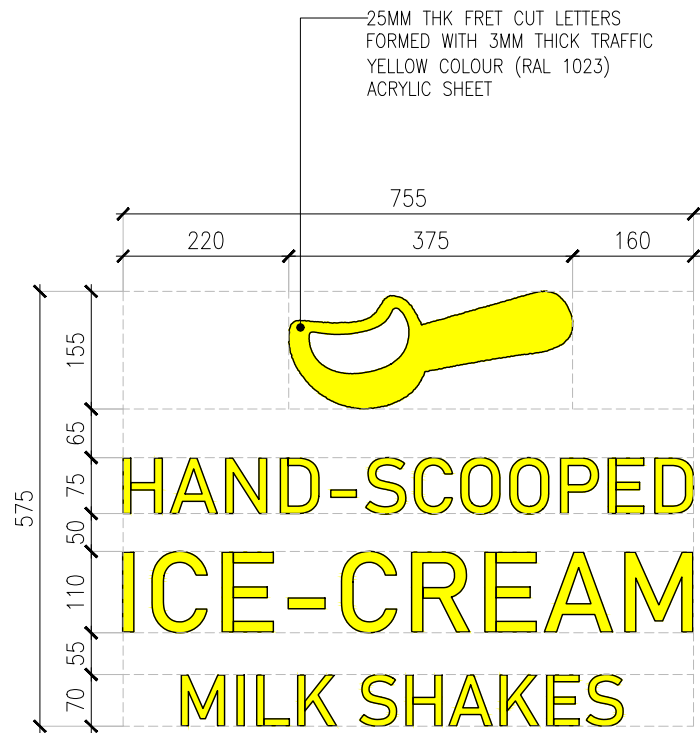
PROJECT  
CARLSJR FF018  
GMR INTERNATIONAL  
AIRPORT LIMITED,  
HYDERABAD

DRAWING TITLE  
J13-SIGNAGE DETAIL : PART-D

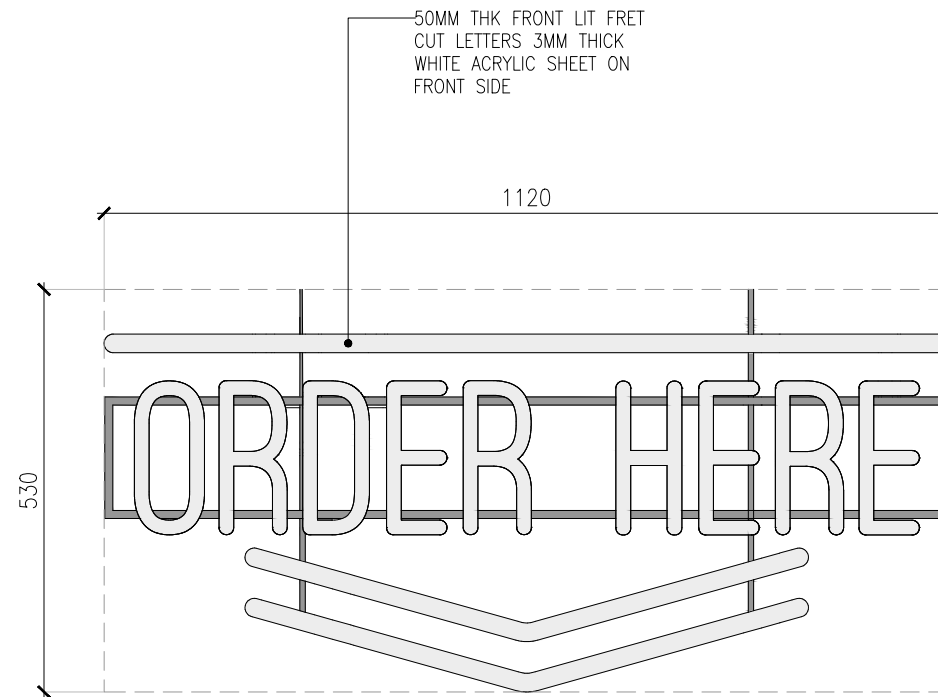
SCALE AS MENTIONED DATE 18.04.2024 DRAWN HOD A3 SHEET

STATUS  
TENDER

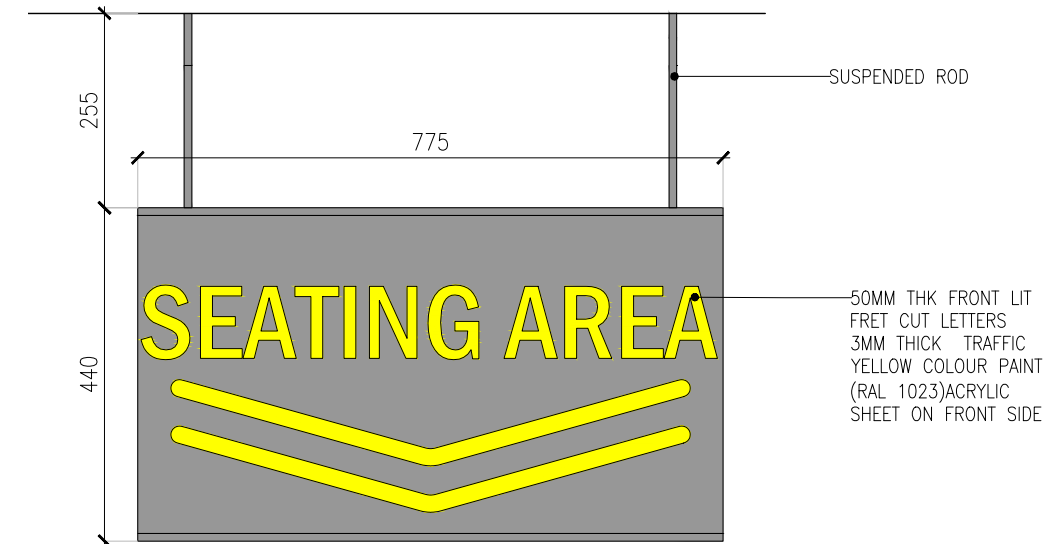
ORG	PROJECT NO	DRAWING TYPE	NUMBER	REV
TFS	0000	04DE	414	T01



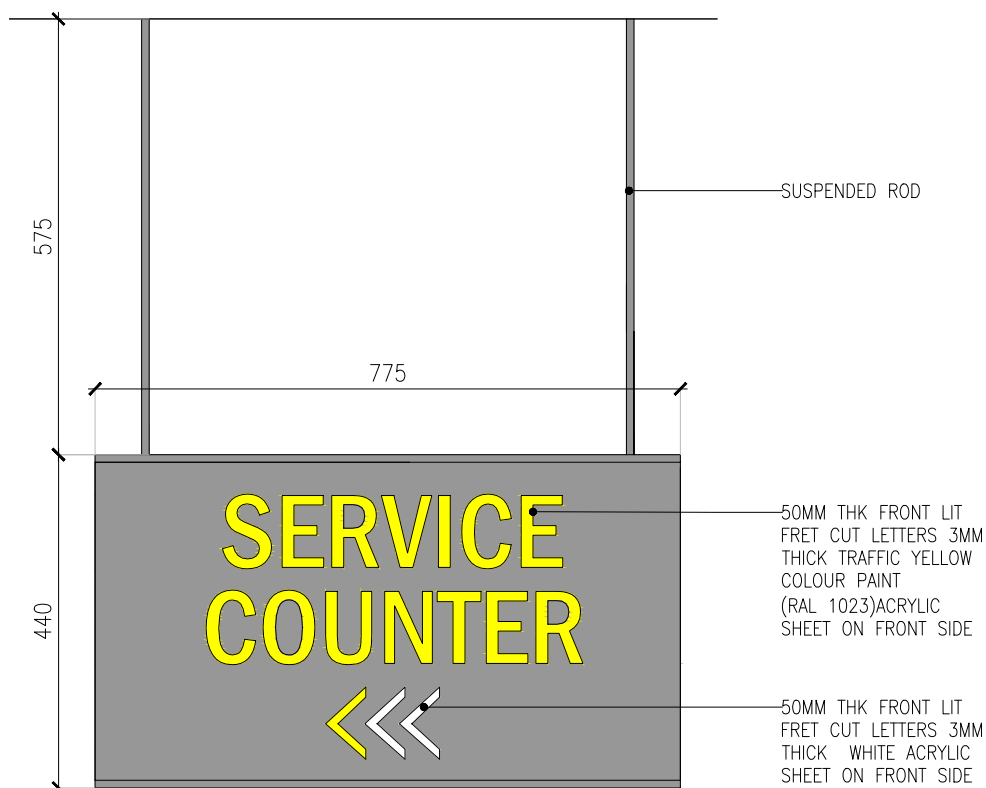
01 SG14-SIGNAGE:14  
04DE-415 1:10



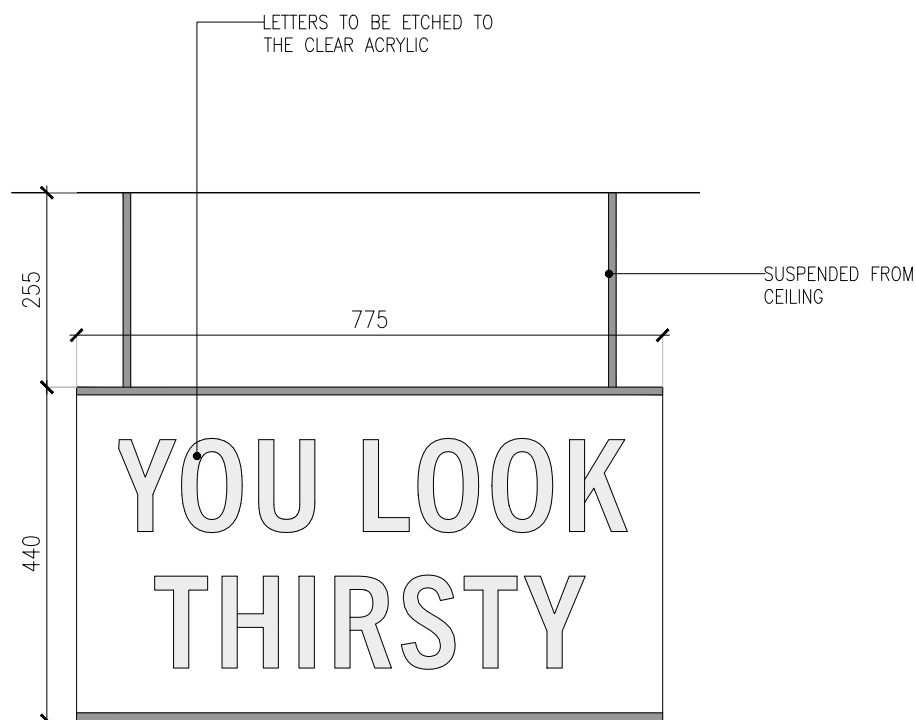
02 SG15-SUSPENDED SIGNAGE:15  
04DE-415 1:10



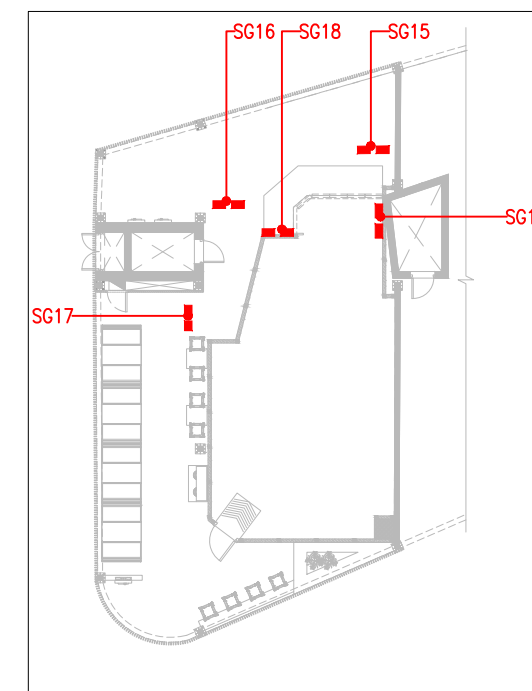
03 SG16-SUSPENDED SIGNAGE:16  
04DE-415 1:10



04 SG17-SUSPENDED SIGNAGE:17  
04DE-415 1:10



05 SG18-SUSPENDED SIGNAGE:18  
04DE-415 1:10



KEYPLAN

REV	DATE	DESCRIPTION	HOD	NM
C01	18.04.24	TENDER		
			DRN	CHK



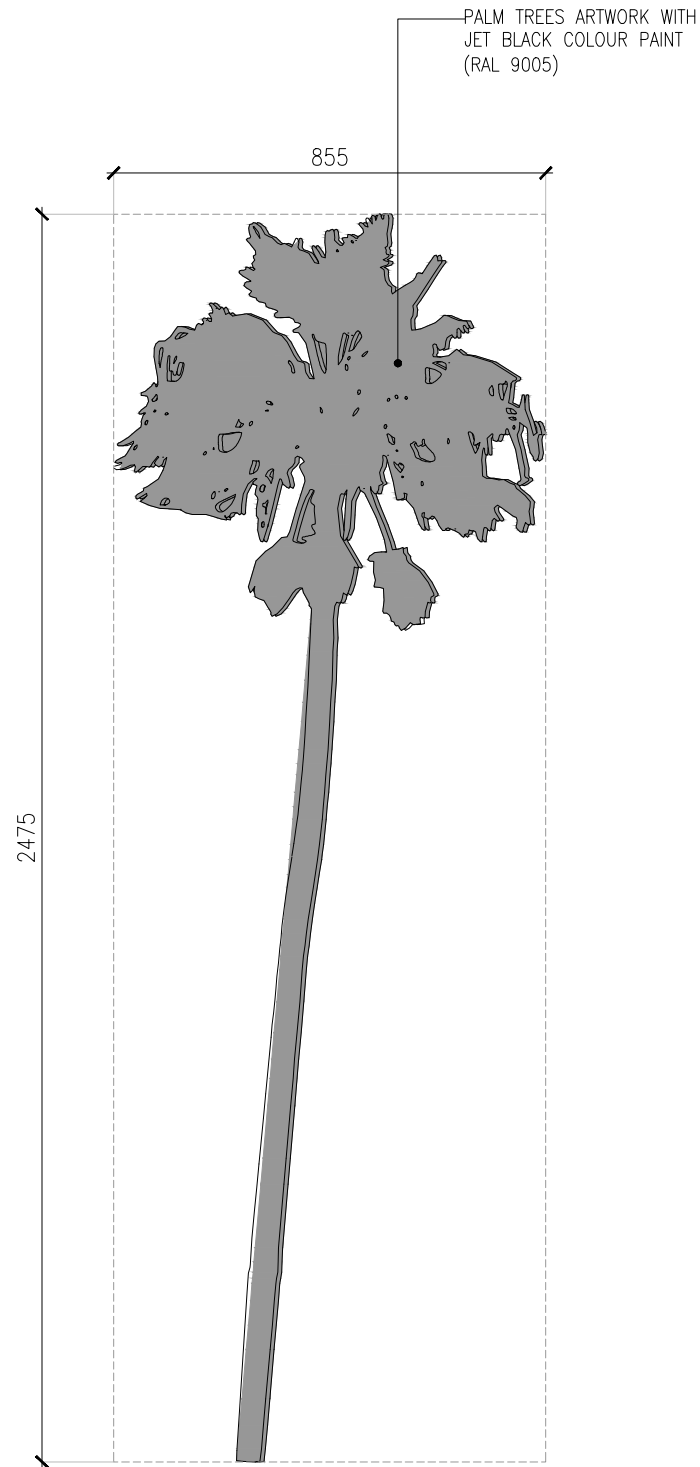
PROJECT  
CARLSJR FF018  
GMR INTERNATIONAL  
AIRPORT LIMITED,  
HYDERABAD

DRAWING TITLE  
J13-SIGNAGE DETAIL : PART-E

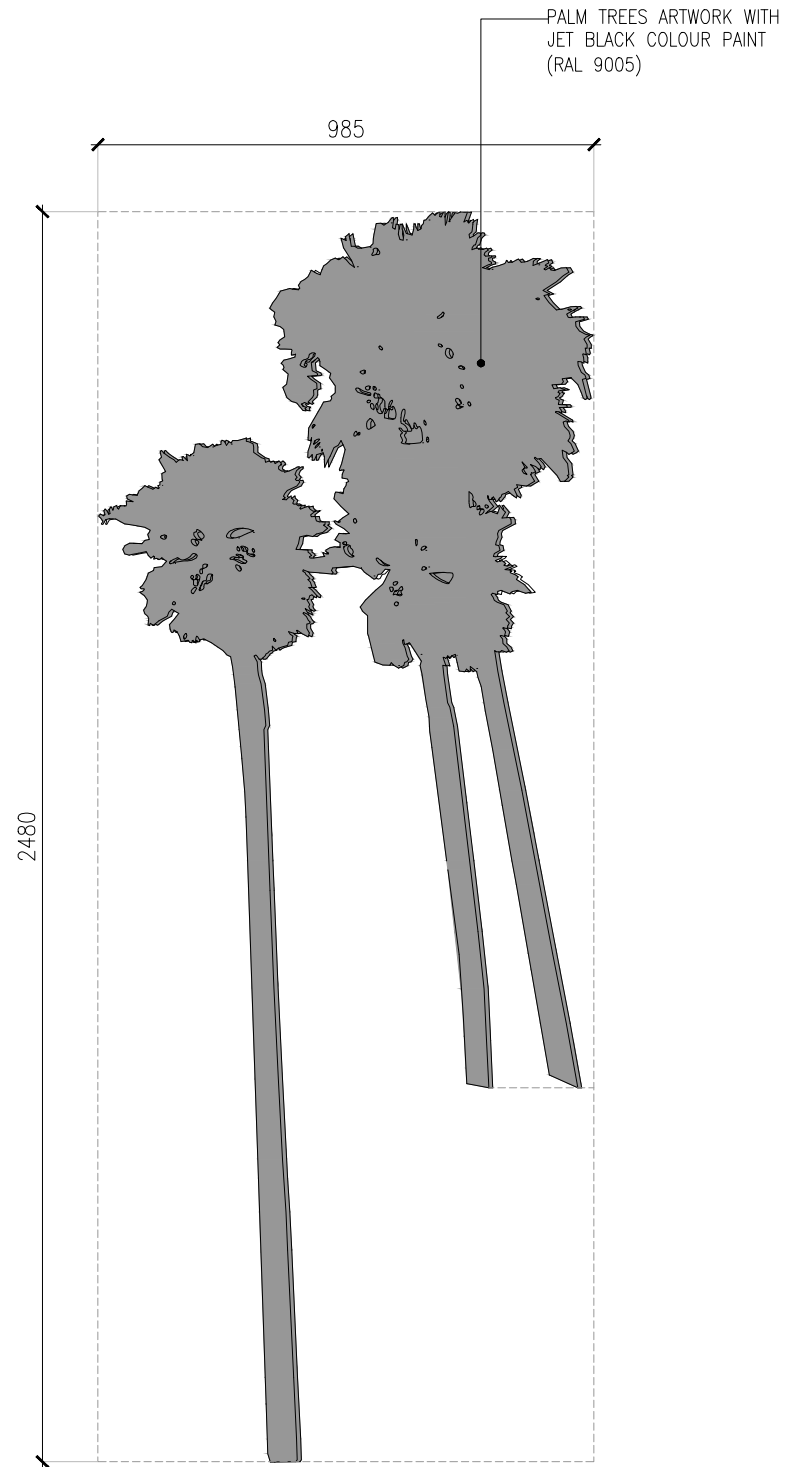
SCALE 1:10 DATE 18.04.2024 DRAWN HOD A3 SHEET

STATUS  
TENDER

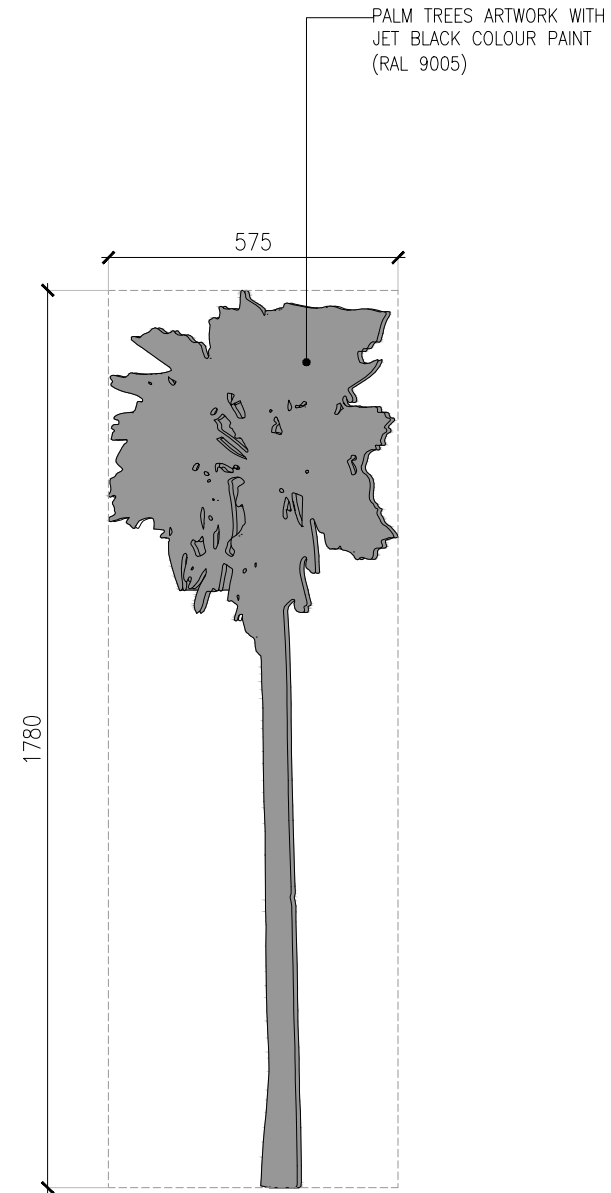
ORG	PROJECT NO	DRAWING TYPE	NUMBER	REV
TFS	0000	04DE	406A	T01



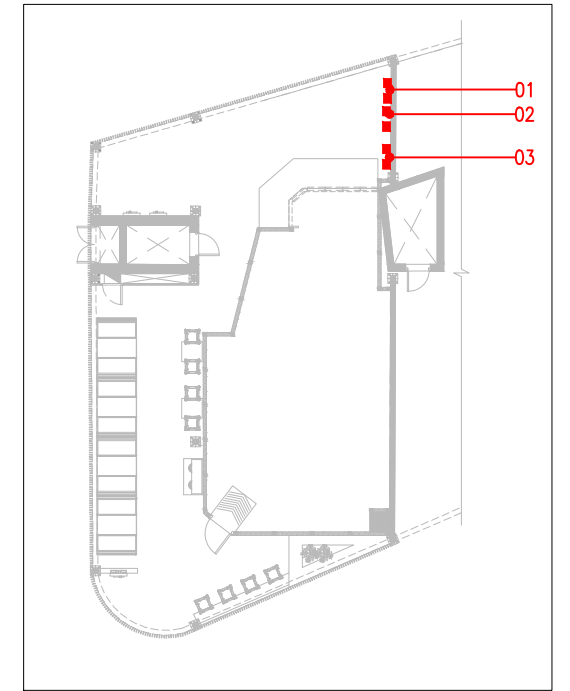
01 STENCIL ART-01  
04DE-416 1:15



02 STENCIL ART-02  
04DE-416 1:15



05 STENCIL ART-03  
04DE-416 1:15



KEYPLAN

REV	DATE	DESCRIPTION	HOD	NM
C01	18.04.24	TENDER		
			DRN	CHK



PROJECT  
CARLSJR FF018  
GMR INTERNATIONAL  
AIRPORT LIMITED,  
HYDERABAD

DRAWING TITLE  
J14-STENCIL ART : PART-A

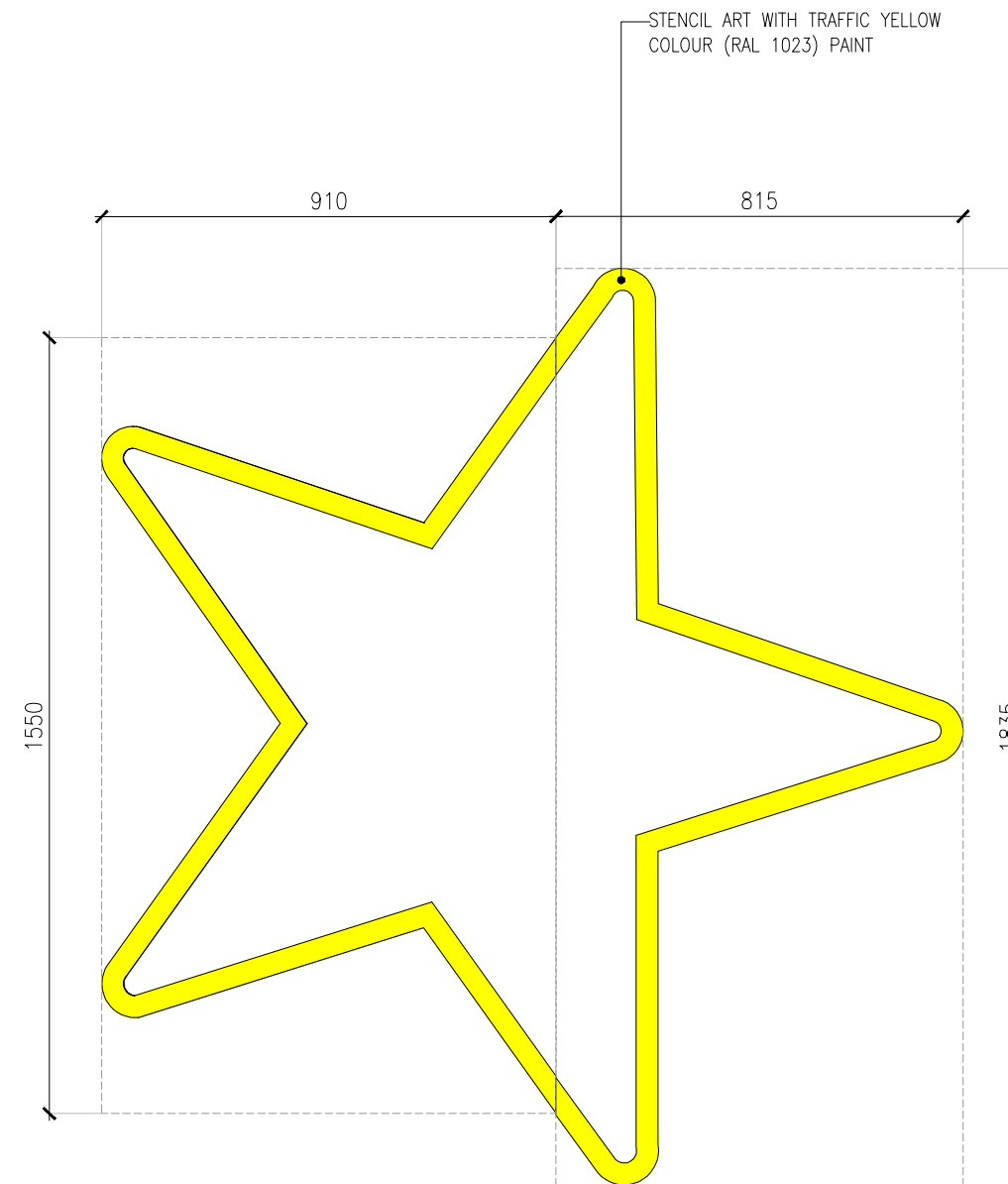
SCALE 1:15 DATE 18.04.2024 DRAWN HOD A3 SHEET

STATUS  
TENDER

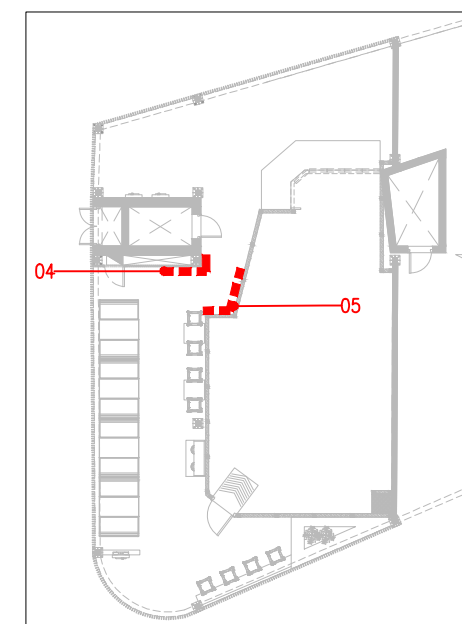
ORG	PROJECT NO	DRAWING TYPE	NUMBER	REV
TFS	0000	04DE	416	T01



01 STENCIL ART-04  
04DE-417 1:15



02 STENCIL ART-05  
04DE-417 1:15



KEYPLAN

C01	18.04.24	TENDER	HOD	NM
REV	DATE	DESCRIPTION	DRN	CHK



PROJECT  
CARLSJR FF018  
GMR INTERNATIONAL  
AIRPORT LIMITED,  
HYDERABAD

DRAWING TITLE  
J14-STENCIL ART : PART-B

SCALE 1:15 DATE 18.04.2024 DRAWN HOD A3 SHEET

STATUS  
TENDER

ORG	PROJECT NO	DRAWING TYPE	NUMBER	REV
TFS	0000	04DE	406A	T01