

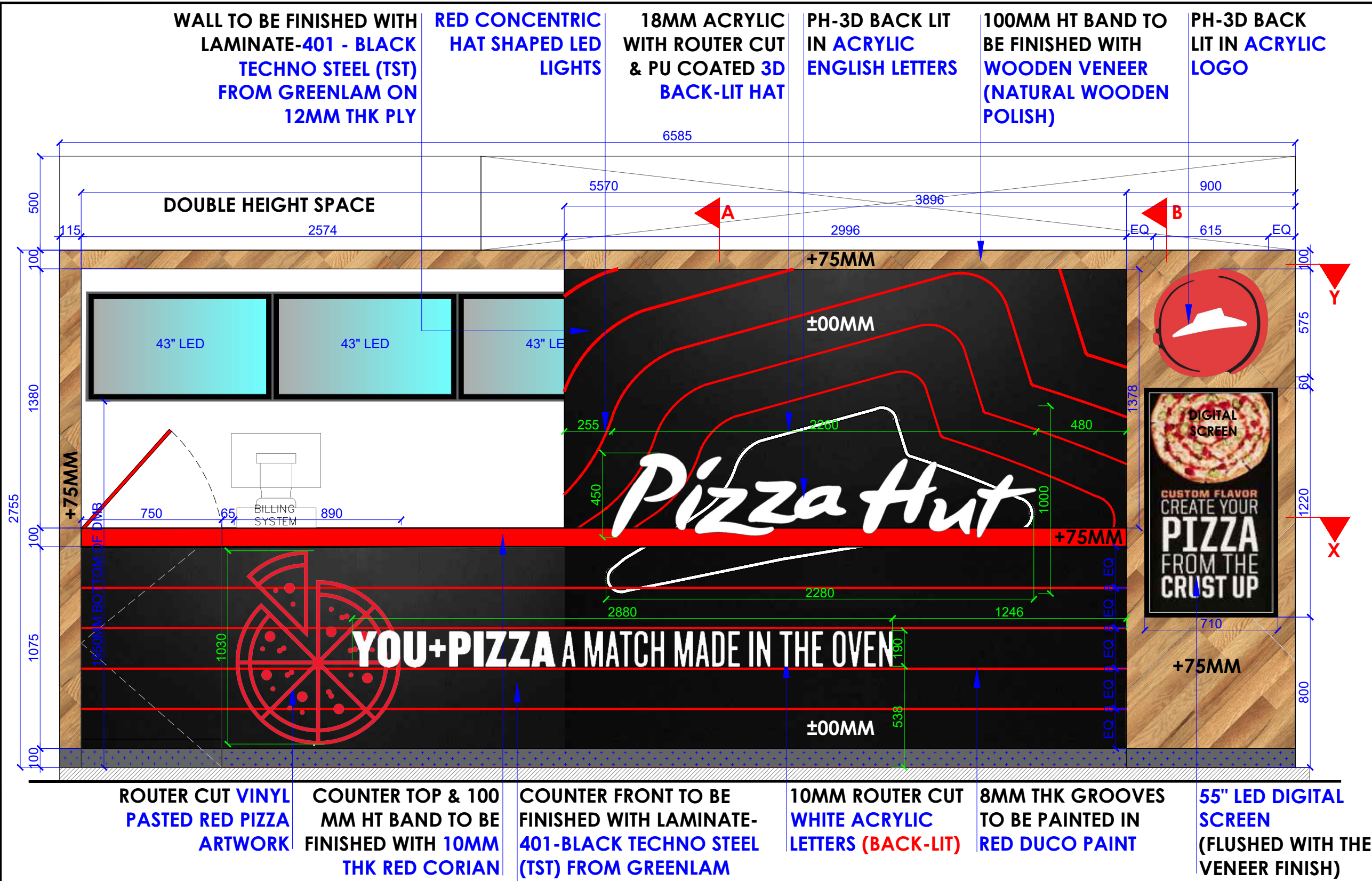
PH-T1 TERMINAL DOMESTIC-CHENNAI- CIVIL INTERIOR GFC SET

CLIENT :

TRAVEL FOOD SERVICES



HEAD OFFICE:-
Anchorage, off Govandi Station Road
Near Amarnath Patil Ground,
Govandi - (E), Mumbai 400 088
TEL: +91 22 6740 7640
Email : studio@whitewaterdesign.in



WALL TO BE FINISHED WITH LAMINATE-401 - BLACK TECHNO STEEL (TST) FROM GREENLAM ON 12MM THK PLY

RED CONCENTRIC HAT SHAPED LED LIGHTS

18MM ACRYLIC WITH ROUTER CUT & PU COATED 3D BACK-LIT HAT

PH-3D BACK LIT IN ACRYLIC ENGLISH LETTERS

100MM HT BAND TO BE FINISHED WITH WOODEN VENEER (NATURAL WOODEN POLISH)

PH-3D BACK LIT IN ACRYLIC LOGO

DOUBLE HEIGHT SPACE

+75MM

±00MM

+75MM

±00MM

+75MM

ROUTER CUT VINYL PASTED RED PIZZA ARTWORK

COUNTER TOP & 100 MM HT BAND TO BE FINISHED WITH 10MM THK RED CORIAN

COUNTER FRONT TO BE FINISHED WITH LAMINATE-401-BLACK TECHNO STEEL (TST) FROM GREENLAM

10MM ROUTER CUT WHITE ACRYLIC LETTERS (BACK-LIT)

8MM THK GROOVES TO BE PAINTED IN RED DUCO PAINT

55" LED DIGITAL SCREEN (FLUSHED WITH THE VENEER FINISH)

FACADE ELEVATION

- NOTES :**
- THE COPYRIGHT OF THIS DRAWING REMAINS WITH WHITE WATER DESIGN STUDIO AND IT MAY NOT BE REPRODUCED IN ANY WHICH MANNER WITHOUT PRIOR WRITTEN CONSENT.
 - FIGURED DIMENSIONS ARE TO BE USED IN PREFERENCES TO SCALED SIZES. ALL DIMENSIONS MUST BE CHECKED BEFORE COMMENCING WORK ON SITE.
 - THIS DRAWINGS TO BE READ IN CONJUNCTION WITH ALL OTHER RELEVANT DRAWINGS.
 - ALL PROPOSED WORKS TO BE CARRIED OUT IN ACCORDANCE WITH TECHNICAL SPECIFICATIONS AND SCHEDULES MENTIONED FOR INTERIOR WORKS.
 - READ THIS DRAWING IN CONJUNCTION WITH ALL CONSULTANTS' & SPECIALISTS' DRAWINGS, DETAILS, SCHEDULES & SPECIFICATIONS FOR :
i. SPRINKLER INSTALLATION
ii. AUTOMATIC FIRE DETECTION SYSTEMS
iii. AIR CONDITIONING SYSTEM & DISTRIBUTION (HVAC)
iv. EMERGENCY LIGHTING
v. PRIMARY WIRING DESIGN & DISTRIBUTION
 - ALL WORK IS TO BE CARRIED OUT STRICTLY IN ACCORDANCE WITH IS STANDARDS (WHERE APPLICABLE) & BEST TRADE PRACTICES. ALL WORK MUST SATISFY THE REQUIREMENTS OF THE LOCAL AUTHORITIES.
 - WHITE WATER DESIGN STUDIO TO APPROVE ALL CONTRACTORS' SETTINGS OUT & ALL CO-ORDINATION SHOP DRAWINGS PRIOR TO ALL MANUFACTURERS, CONTRACTORS, INSTALLERS & SPECIALISTS TO BE RESPONSIBLE FOR ENSURING THAT ALL OF THEIR COMMENCEMENT OF INSTALLATION
 - WORKS FULLY COMPLY (FIRE RATED PLY) WITH THE REQUIREMENTS OF THE AUTHORITIES & FIRE DEPARTMENT & THAT ALL SAFETY STANDARDS ARE MET THROUGHOUT.
 - ALL FIT-OUT CONTRACTORS & SPECIALISTS TO PREPARE FULL SHOP DRAWINGS WITH SPECIFIC REFERENCE TO SITE CONDITIONS FOR WHITE WATER DESIGN STUDIO APPROVAL PRIOR TO MANUFACTURE & INSTALLATION AS APPROPRIATE TO THEIR TASK.

KEY PLAN :

AMMENDMENTS :

S.NO.	REV.DATE	DESCRIPTION

DRAWING NO :

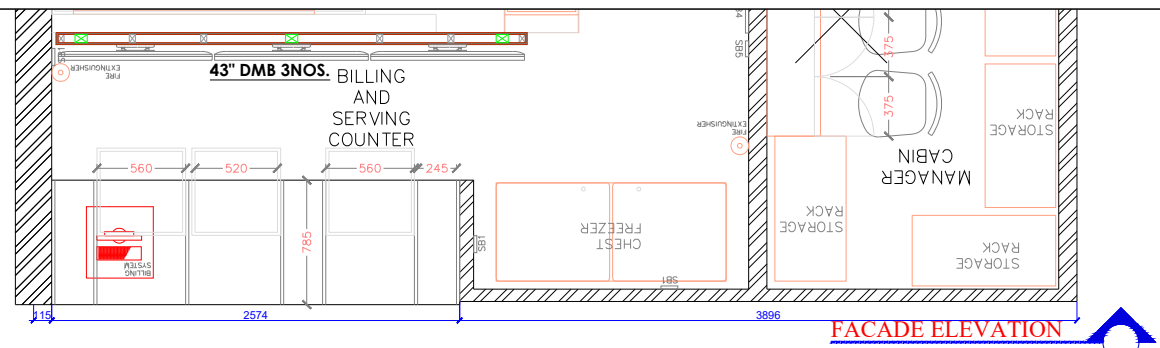
DRAWING TITLE : **FACADE ELEVATION**

LOCATION : **T1 TERMINAL DOMESTIC-CHENNAI**

DATE : 24-05-2024
SCALE : NTS
DRN. BY : PRATIKSHA
CHKD. BY : DHYANESH

PROJECT : **PH-T1 TERMINAL DOMESTIC-CHENNAI**

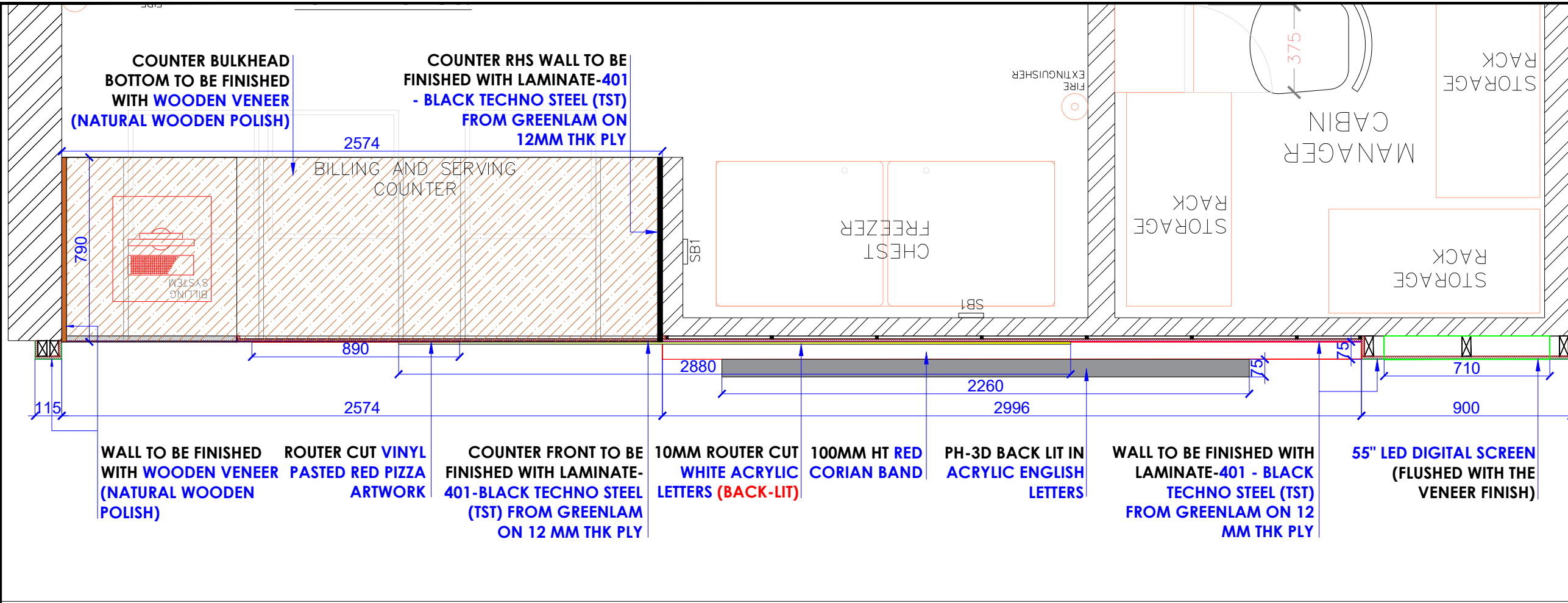
CLIENT : **TRAVEL FOOD SERVICES**



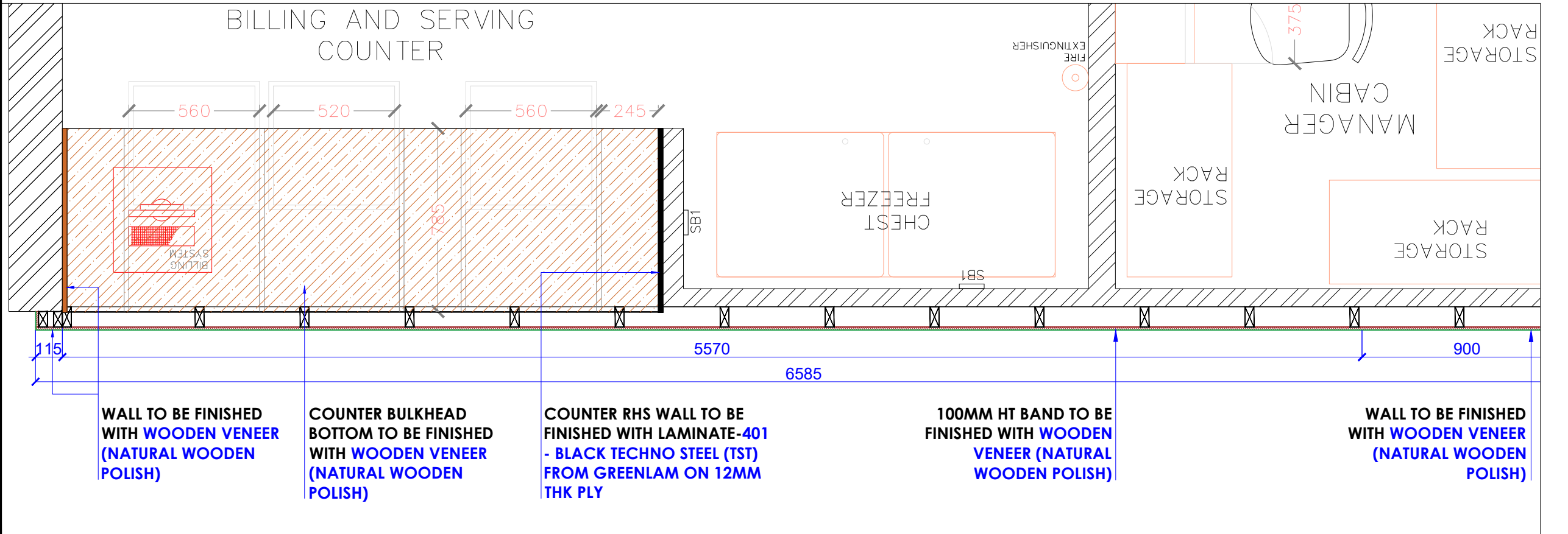
WHITE WATER R
DESIGN STUDIO

WW

HEAD OFFICE:-
Anchorage, off Govandi Station Rd
Near Amarnath Patil Ground, Govandi-(E)
Mumbai 400 088
TEL: +91 22 6740 7640.
Email: studio@whitewaterdesign.in



SECTION 'X'



SECTION 'Y'

- NOTES :**
1. THE COPYRIGHT OF THIS DRAWING REMAINS WITH WHITE WATER DESIGN STUDIO AND IT MAY NOT BE REPRODUCED IN ANY WHICH MANNER WITHOUT PRIOR WRITTEN CONSENT.
 2. FIGURED DIMENSIONS ARE TO BE USED IN PREFERENCES TO SCALED SIZES. ALL DIMENSIONS MUST BE CHECKED BEFORE COMMENCING WORK ON SITE.
 3. THIS DRAWINGS TO BE READ IN CONJUNCTION WITH ALL OTHER RELEVANT DRAWINGS.
 4. ALL PROPOSED WORKS TO BE CARRIED OUT IN ACCORDANCE WITH TECHNICAL SPECIFICATIONS AND SCHEDULES MENTIONED FOR INTERIOR WORKS.
 5. READ THIS DRAWING IN CONJUNCTION WITH ALL CONSULTANTS' & SPECIALISTS' DRAWINGS, DETAILS, SCHEDULES & SPECIFICATIONS FOR :
 i. SPRINKLER INSTALLATION
 ii. AUTOMATIC FIRE DETECTION SYSTEMS
 iii. AIR CONDITIONING SYSTEM & DISTRIBUTION (HVAC)
 iv. EMERGENCY LIGHTING
 v. PRIMARY WIRING DESIGN & DISTRIBUTION
 6. ALL WORK IS TO BE CARRIED OUT STRICTLY IN ACCORDANCE WITH IS STANDARDS (WHERE APPLICABLE) & BEST TRADE PRACTICES. ALL WORK MUST SATISFY THE REQUIREMENTS OF THE LOCAL AUTHORITIES.
 7. WHITE WATER DESIGN STUDIO TO APPROVE ALL CONTRACTORS' SETTINGS OUT & ALL CO-ORDINATION SHOP DRAWINGS PRIOR TO ALL MANUFACTURERS, CONTRACTORS, INSTALLERS & SPECIALISTS TO BE RESPONSIBLE FOR ENSURING THAT ALL OF THEIR COMMENCEMENT OF INSTALLATION
 8. WORKS FULLY COMPLY (FIRE RATED PLY) WITH THE REQUIREMENTS OF THE AUTHORITIES & FIRE DEPARTMENT & THAT ALL SAFETY STANDARDS ARE MET THROUGHOUT.
 9. ALL FIT-OUT CONTRACTORS & SPECIALISTS TO PREPARE FULL SHOP DRAWINGS WITH SPECIFIC REFERENCE TO SITE CONDITIONS FOR WHITE WATER DESIGN STUDIO APPROVAL PRIOR TO MANUFACTURE & INSTALLATION AS APPROPRIATE TO THEIR TASK.

KEY PLAN :

AMMENDMENTS :

S.NO.	REV.DATE	DESCRIPTION

DRAWING NO :

DRAWING TITLE :
SECTION 'X' & 'Y'

LOCATION :
T1 TERMINAL DOMESTIC-CHENNAI

DATE : 24-05-2024
 SCALE : NTS
 DRN. BY : PRATIKSHA
 CHKD. BY : DHYANESH

PROJECT :
PH-T1 TERMINAL DOMESTIC-CHENNAI

CLIENT :
TRAVEL FOOD SERVICES

WHITE WATER R
DESIGN STUDIO

WW

HEAD OFFICE:-
 Anchorage, off Govandi Station Rd
 Near Amarnath Patil Ground, Govandi-(E)
 Mumbai 400 088
 TEL: +91 22 6740 7640.
 Email: studio@whitewaterdesign.in

100MM HT BAND TO BE FINISHED WITH **WOODEN VENEER (NATURAL WOODEN POLISH)**

WALL TO BE FINISHED WITH **LAMINATE-401 - BLACK TECHNO STEEL (TST) FROM GREENLAM ON 12 MM THK PLY**

18MM ACRYLIC WITH ROUTER CUT & PU COATED **3D BACK-LIT HAT**

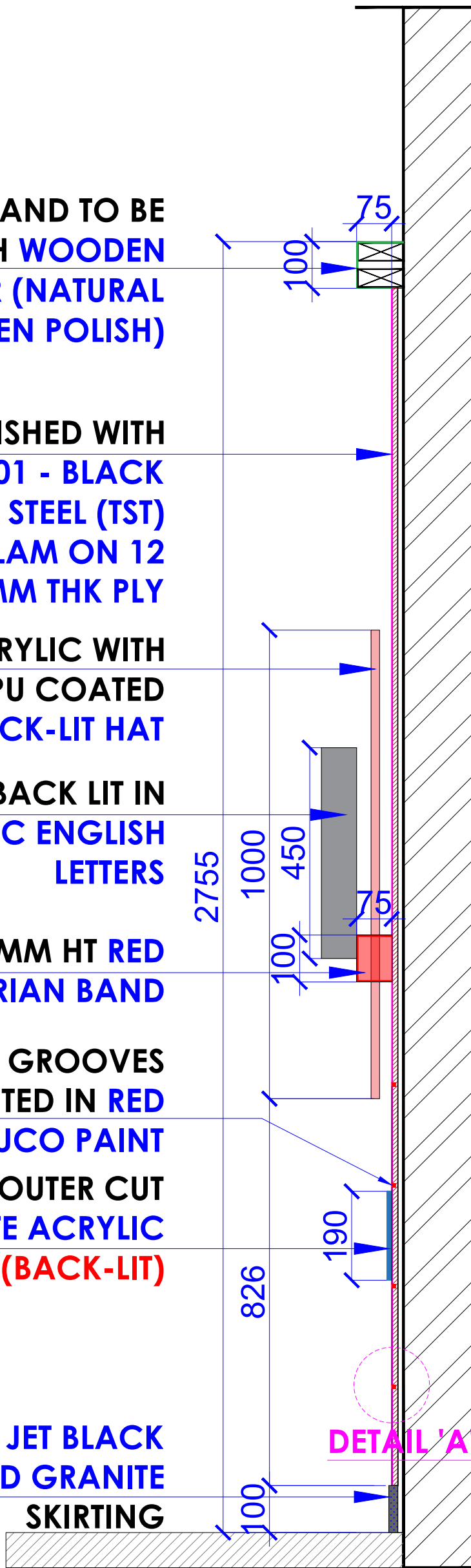
PH-3D BACK LIT IN **ACRYLIC ENGLISH LETTERS**

100MM HT **RED CORIAN BAND**

8MM THK GROOVES TO BE PAINTED IN **RED DUCO PAINT**

10MM ROUTER CUT **WHITE ACRYLIC LETTERS (BACK-LIT)**

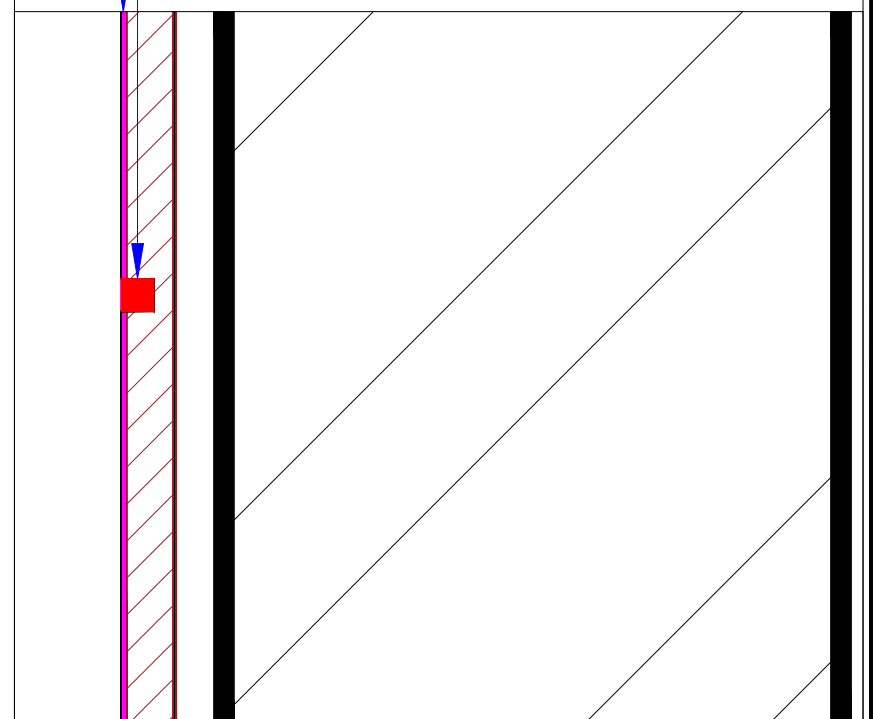
100MM HT **JET BLACK POLISHED GRANITE SKIRTING**



SECTION 'A'

WALL TO BE FINISHED WITH **LAMINATE-401 - BLACK TECHNO STEEL (TST) FROM GREENLAM ON 12 MM THK PLY**

8MM THK GROOVES TO BE PAINTED IN **RED DUCO PAINT**



DETAIL 'A'

NOTES : THE COPYRIGHT OF THIS DRAWING REMAINS WITH WHITE WATER DESIGN STUDIO AND IT MAY NOT BE REPRODUCED IN ANY WHICH MANNER WITHOUT PRIOR WRITTEN CONSENT.

- FIGURED DIMENSIONS ARE TO BE USED IN PREFERENCES TO SCALED SIZES. ALL DIMENSIONS MUST BE CHECKED BEFORE COMMENCING WORK ON SITE.
- THIS DRAWINGS TO BE READ IN CONJUNCTION WITH ALL OTHER RELEVANT DRAWINGS.
- ALL PROPOSED WORKS TO BE CARRIED OUT IN ACCORDANCE WITH TECHNICAL SPECIFICATIONS AND SCHEDULES MENTIONED FOR INTERIOR WORKS.
- ALL WORK IS TO BE CARRIED OUT STRICTLY IN ACCORDANCE WITH ISI STANDARDS (WHERE APPLICABLE) & BEST TRADE PRACTICES. ALL WORK MUST SATISFY THE REQUIREMENTS OF THE LOCAL AUTHORITIES.
- WHITE WATER DESIGN STUDIO TO APPROVE ALL CONTRACTORS' SETTINGS OUT & ALL CO-ORDINATION SHOP DRAWINGS PRIOR TO ALL MANUFACTURERS, CONTRACTORS, INSTALLERS & SPECIALISTS TO BE RESPONSIBLE FOR ENSURING THAT ALL OF THEIR COMMENCEMENT OF INSTALLATION
- WORKS FULLY COMPLY WITH THE REQUIREMENTS OF THE LOCAL AUTHORITIES & FIRE DEPARTMENT & THAT ALL SAFETY STANDARDS ARE MET THROUGHOUT.
- ALL FIT-OUT CONTRACTORS & SPECIALISTS TO PREPARE FULL SHOP DRAWINGS WITH SPECIFIC REFERENCE TO SITE CONDITIONS FOR WHITE WATER DESIGN STUDIO APPROVAL PRIOR TO MANUFACTURE & INSTALLATION AS APPROPRIATE TO THEIR TASK.

KEY PLAN :

AMMENDMENTS :

S.NO.	REV DATE	DESCRIPTION

DRAWING TITLE : SECTION 'A'

DRAWING NO :

DATE : 24-05-2024
SCALE : AS STATED
DRN. BY : PRATIKSHA
CHKD. BY : SHILPA

LOCATION : T1 TERMINAL DOMESTIC-CHENNAI

PROJECT : PH-T1 TERMINAL DOMESTIC-CHENNAI

CLIENT :

TRAVEL FOOD SERVICES

WHITE WATER DESIGN STUDIO

WW

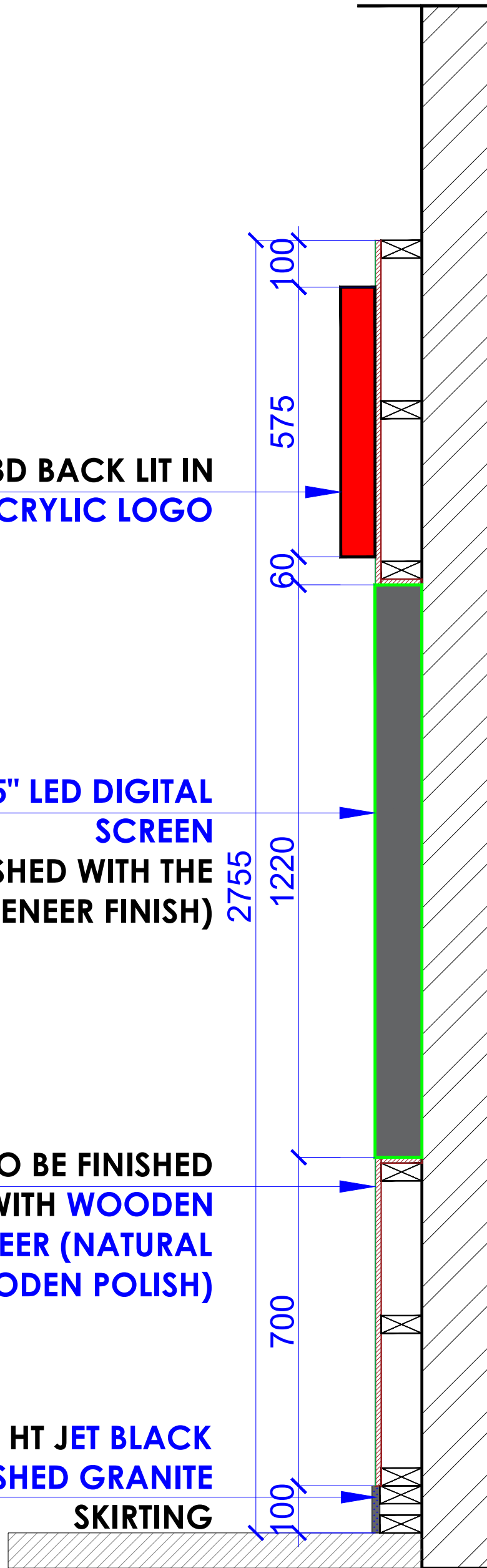
HEAD OFFICE:-
Anchorage, off Govandi Station Rd
Near Amarnath Patil Ground, Govandi-(E)
Mumbai 400 088
TEL: +91 22 6740 7640.
Email: studio@whitewaterdesign.in

**PH-3D BACK LIT IN
ACRYLIC LOGO**

**55" LED DIGITAL
SCREEN
(FLUSHED WITH THE
VENEER FINISH)**

**WALL TO BE FINISHED
WITH WOODEN
VENEER (NATURAL
WOODEN POLISH)**

**100MM HT JET BLACK
POLISHED GRANITE
SKIRTING**



SECTION 'B'

NOTES :
THE COPYRIGHT OF THIS DRAWING REMAINS WITH WHITE WATER DESIGN STUDIO AND IT MAY NOT BE REPRODUCED IN ANY WHICH MANNER WITHOUT PRIOR WRITTEN CONSENT.

- FIGURED DIMENSIONS ARE TO BE USED IN PREFERENCES TO SCALED SIZES. ALL DIMENSIONS MUST BE CHECKED BEFORE COMMENCING WORK ON SITE.
- THIS DRAWINGS TO BE READ IN CONJUNCTION WITH ALL OTHER RELEVANT DRAWINGS.
- ALL PROPOSED WORKS TO BE CARRIED OUT IN ACCORDANCE WITH TECHNICAL SPECIFICATIONS AND SCHEDULES MENTIONED FOR INTERIOR WORKS.
- ALL WORK IS TO BE CARRIED OUT STRICTLY IN ACCORDANCE WITH ISI STANDARDS (WHERE APPLICABLE) & BEST TRADE PRACTICES. ALL WORK MUST SATISFY THE REQUIREMENTS OF THE LOCAL AUTHORITIES.
- WHITE WATER DESIGN STUDIO TO APPROVE ALL CONTRACTORS' SETTINGS OUT & ALL CO-ORDINATION SHOP DRAWINGS PRIOR TO ALL MANUFACTURERS, CONTRACTORS, INSTALLERS & SPECIALISTS TO BE RESPONSIBLE FOR ENSURING THAT ALL OF THEIR COMMENCEMENT OF INSTALLATION
- WORKS FULLY COMPLY WITH THE REQUIREMENTS OF THE LOCAL AUTHORITIES & FIRE DEPARTMENT & THAT ALL SAFETY STANDARDS ARE MET THROUGHOUT.
- ALL FIT-OUT CONTRACTORS & SPECIALISTS TO PREPARE FULL SHOP DRAWINGS WITH SPECIFIC REFERENCE TO SITE CONDITIONS FOR WHITE WATER DESIGN STUDIO APPROVAL PRIOR TO MANUFACTURE & INSTALLATION AS APPROPRIATE TO THEIR TASK.

KEY PLAN :

AMMENDMENTS :

S.NO.	REV DATE	DESCRIPTION

DRAWING TITLE :

SECTION 'B'

DRAWING NO :

DATE : 24-05-2024
SCALE : AS STATED
DRN. BY : PRATIKSHA
CHKD. BY : SHILPA

LOCATION :

T1 TERMINAL DOMESTIC-CHENNAI

PROJECT :

PH-T1 TERMINAL DOMESTIC-CHENNAI

CLIENT :

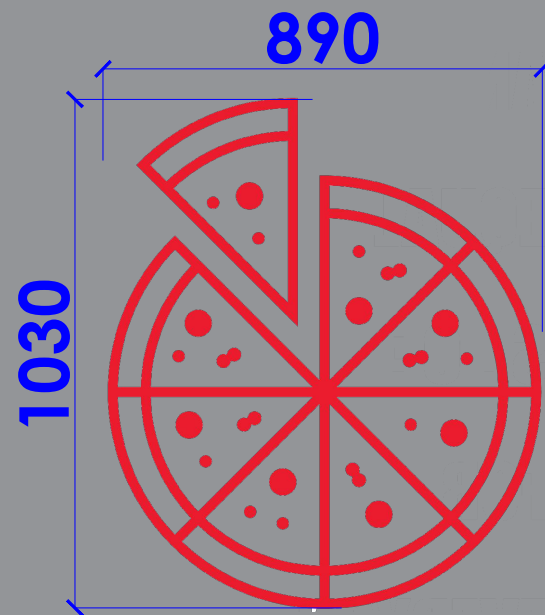
TRAVEL FOOD SERVICES

WHITE WATER
DESIGN STUDIO **R**

WW

HEAD OFFICE:-
Anchorage, off Govandi Station Rd
Near Amarnath Patil Ground, Govandi-(E)
Mumbai 400 088
TEL: +91 22 6740 7640.
Email: studio@whitewaterdesign.in

INTERNAL GRAPHICS DETAIL



VINYL PASTED RED PIZZA
ARTWORK

2880
YOU+PIZZA A MATCH MADE IN THE OVEN 190

10 MM THK ROUTER CUT
WHITE ACRYLIC LETTERS
(BACK-LIT)

FOR FRONT FACADE

NOTES :

THE COPYRIGHT OF THIS DRAWING REMAINS WITH WHITE WATER DESIGN STUDIO AND IT MAY NOT BE REPRODUCED IN ANY WHICH MANNER WITHOUT PRIOR WRITTEN CONSENT.

- FIGURED DIMENSIONS ARE TO BE USED IN PREFERENCES TO SCALED SIZES. ALL DIMENSIONS MUST BE CHECKED BEFORE COMMENCING WORK ON SITE.
- THIS DRAWINGS TO BE READ IN CONJUNCTION WITH ALL OTHER RELEVANT DRAWINGS.
- ALL PROPOSED WORKS TO BE CARRIED OUT IN ACCORDANCE WITH TECHNICAL SPECIFICATIONS AND SCHEDULES MENTIONED FOR INTERIOR WORKS.
- READ THIS DRAWING IN CONJUNCTION WITH ALL CONSULTANTS' & SPECIALISTS' DRAWINGS, DETAILS, SCHEDULES & SPECIFICATIONS FOR :
i. SPRINKLER INSTALLATION
ii. AUTOMATIC FIRE DETECTION SYSTEMS
iii. AIR CONDITIONING SYSTEM & DISTRIBUTION (HVAC)
iv. EMERGENCY LIGHTING
v. PRIMARY WIRING DESIGN & DISTRIBUTION
- ALL WORK IS TO BE CARRIED OUT STRICTLY IN ACCORDANCE WITH IS STANDARDS (WHERE APPLICABLE) & BEST TRADE PRACTICES. ALL WORK MUST SATISFY THE REQUIREMENTS OF THE LOCAL AUTHORITIES.
- WHITE WATER DESIGN STUDIO TO APPROVE ALL CONTRACTORS' SETTINGS OUT & ALL CO-ORDINATION SHOP DRAWINGS PRIOR TO ALL MANUFACTURERS, CONTRACTORS, INSTALLERS & SPECIALISTS TO BE RESPONSIBLE FOR ENSURING THAT ALL OF THEIR COMMENCEMENT OF INSTALLATION
- WORKS FULLY COMPLY (FIRE RATED PLY) WITH THE REQUIREMENTS OF THE AUTHORITIES & FIRE DEPARTMENT & THAT ALL SAFETY STANDARDS ARE MET THROUGHOUT.
- ALL FIT-OUT CONTRACTORS & SPECIALISTS TO PREPARE FULL SHOP DRAWINGS WITH SPECIFIC REFERENCE TO SITE CONDITIONS FOR WHITE WATER DESIGN STUDIO APPROVAL PRIOR TO MANUFACTURE & INSTALLATION AS APPROPRIATE TO THEIR TASK.

KEY PLAN :

AMMENDMENTS :

S.NO.	REV.DATE	DESCRIPTION

DRAWING NO :

DRAWING TITLE :

INTERNAL GRAPHIC DETAIL

LOCATION :

T1 TERMINAL DOMESTIC-CHENNAI

DATE : 24-05-2024

SCALE : NTS

DRN. BY : PRATIKSHA

CHKD. BY : DHYANESH

PROJECT :

PH-T1 TERMINAL DOMESTIC-CHENNAI

CLIENT :

TRAVEL FOOD SERVICES

WHITE WATER
DESIGN STUDIO R



HEAD OFFICE:-

Anchorage, off Govandi Station Rd
Near Amarnath Patil Ground, Govandi-(E)
Mumbai 400 088

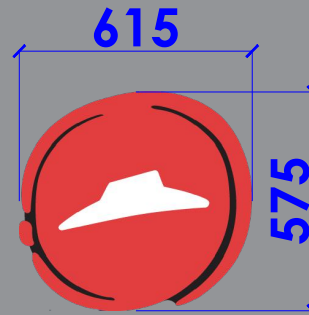
TEL: +91 22 6740 7640.

Email: studio@whitewaterdesign.in

EXTERNAL GRAPHICS DETAIL



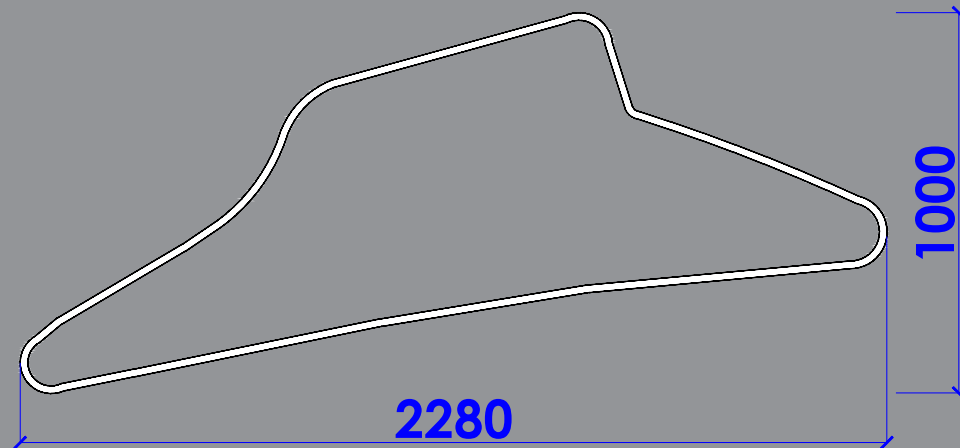
**ENGLISH LETTERS- PIZZA HUT- 3D
BACKLIT LETTERS
450MM HT
FOR FRONT FACADE**



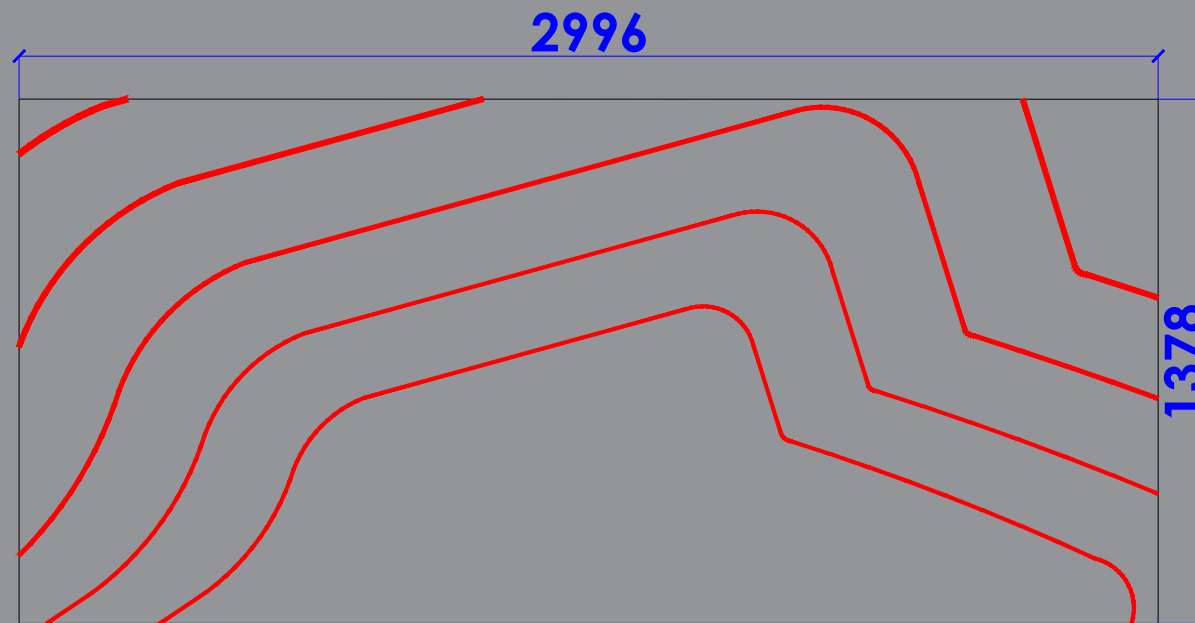
**RED HAT (CIRCULAR)
615 DIA.
FOR FRONT FACADE**



**55" LED SCREEN/
DIGITAL PROMO PANEL
FOR FRONT FACADE**



**ACRYLIC 3D BACK-LIT HAT INTERNALLY
ILLUMINATED WHITE LED SIGN CABINET
MOUNTED TO READ OF RED BAND
FOR FRONT FACADE**



**RED CONCENTRIC HAT
SHAPED LED LIGHTS**

NOTES :

- THE COPYRIGHT OF THIS DRAWING REMAINS WITH WHITE WATER DESIGN STUDIO AND IT MAY NOT BE REPRODUCED IN ANY WHICH MANNER WITHOUT PRIOR WRITTEN CONSENT.
1. FIGURED DIMENSIONS ARE TO BE USED IN PREFERENCES TO SCALED SIZES. ALL DIMENSIONS MUST BE CHECKED BEFORE COMMENCING WORK ON SITE.
 2. THIS DRAWINGS TO BE READ IN CONJUNCTION WITH ALL OTHER RELEVANT DRAWINGS.
 3. ALL PROPOSED WORKS TO BE CARRIED OUT IN ACCORDANCE WITH TECHNICAL SPECIFICATIONS AND SCHEDULES MENTIONED FOR INTERIOR WORKS.
 4. READ THIS DRAWING IN CONJUNCTION WITH ALL CONSULTANTS' & SPECIALISTS' DRAWINGS, DETAILS, SCHEDULES & SPECIFICATIONS FOR :
i. SPRINKLER INSTALLATION
ii. AUTOMATIC FIRE DETECTION SYSTEMS
iii. AIR CONDITIONING SYSTEM & DISTRIBUTION (HVAC)
iv. EMERGENCY LIGHTING
v. PRIMARY WIRING DESIGN & DISTRIBUTION
 5. ALL WORK IS TO BE CARRIED OUT STRICTLY IN ACCORDANCE WITH IS STANDARDS (WHERE APPLICABLE) & BEST TRADE PRACTICES. ALL WORK MUST SATISFY THE REQUIREMENTS OF THE LOCAL AUTHORITIES.
 6. WHITE WATER DESIGN STUDIO TO APPROVE ALL CONTRACTORS' SETTINGS OUT & ALL CO-ORDINATION SHOP DRAWINGS PRIOR TO ALL MANUFACTURERS, CONTRACTORS, INSTALLERS & SPECIALISTS TO BE RESPONSIBLE FOR ENSURING THAT ALL OF THEIR COMMENCEMENT OF INSTALLATION
 7. WORKS FULLY COMPLY (FIRE RATED PLY) WITH THE REQUIREMENTS OF THE AUTHORITIES & FIRE DEPARTMENT & THAT ALL SAFETY STANDARDS ARE MET THROUGHOUT.
 8. ALL FIT-OUT CONTRACTORS & SPECIALISTS TO PREPARE FULL SHOP DRAWINGS WITH SPECIFIC REFERENCE TO SITE CONDITIONS FOR WHITE WATER DESIGN STUDIO APPROVAL PRIOR TO MANUFACTURE & INSTALLATION AS APPROPRIATE TO THEIR TASK.

KEY PLAN :

AMMENDMENTS :

S.NO.	REV.DATE	DESCRIPTION

DRAWING NO :

DRAWING TITLE :

**EXTERNAL GRAPHIC
DETAIL**

LOCATION :

T1 TERMINAL DOMESTIC-CHENNAI

DATE : 24-05-2024

SCALE : NTS

DRN. BY : PRATIKSHA

CHKD. BY : DHYANESH

PROJECT :

**PH-T1 TERMINAL DOMESTIC-
CHENNAI**

CLIENT :

TRAVEL FOOD SERVICES

**WHITE WATE R
DESIGN STUDIO**



HEAD OFFICE:-
Anchorage, off Govandi Station Rd
Near Amarnath Patil Ground, Govandi-(E)
Mumbai 400 088
TEL: +91 22 6740 7640.
Email: studio@whitewaterdesign.in



EXISTING FACADE IMAGE

NOTES :

THE COPYRIGHT OF THIS DRAWING REMAINS WITH WHITE WATER DESIGN STUDIO AND IT MAY NOT BE REPRODUCED IN ANY WHICH MANNER WITHOUT PRIOR WRITTEN CONSENT.

1. FIGURED DIMENSIONS ARE TO BE USED IN PREFERENCES TO SCALED SIZES. ALL DIMENSIONS MUST BE CHECKED BEFORE COMMENCING WORK ON SITE.
2. THIS DRAWINGS TO BE READ IN CONJUNCTION WITH ALL OTHER RELEVANT DRAWINGS.
3. ALL PROPOSED WORKS TO BE CARRIED OUT IN ACCORDANCE WITH TECHNICAL SPECIFICATIONS AND SCHEDULES MENTIONED FOR INTERIOR WORKS.
4. READ THIS DRAWING IN CONJUNCTION WITH ALL CONSULTANTS' & SPECIALISTS' DRAWINGS, DETAILS, SCHEDULES & SPECIFICATIONS FOR :
 I. SPRINKLER INSTALLATION
 II. AUTOMATIC FIRE DETECTION SYSTEMS
 III. AIR CONDITIONING SYSTEM & DISTRIBUTION (HVAC)
 IV. EMERGENCY LIGHTING
 V. PRIMARY WIRING DESIGN & DISTRIBUTION
5. ALL WORK IS TO BE CARRIED OUT STRICTLY IN ACCORDANCE WITH IS STANDARDS (WHERE APPLICABLE) & BEST TRADE PRACTICES. ALL WORK MUST SATISFY THE REQUIREMENTS OF THE LOCAL AUTHORITIES.
6. WHITE WATER DESIGN STUDIO TO APPROVE ALL CONTRACTORS' SETTINGS OUT & ALL CO-ORDINATION SHOP DRAWINGS PRIOR TO ALL MANUFACTURERS, CONTRACTORS, INSTALLERS & SPECIALISTS TO BE RESPONSIBLE FOR ENSURING THAT ALL OF THEIR COMMENCEMENT OF INSTALLATION
7. WORKS FULLY COMPLY (FIRE RATED PLY) WITH THE REQUIREMENTS OF THE AUTHORITIES & FIRE DEPARTMENT & THAT ALL SAFETY STANDARDS ARE MET THROUGHOUT.
8. ALL FIT-OUT CONTRACTORS & SPECIALISTS TO PREPARE FULL SHOP DRAWINGS WITH SPECIFIC REFERENCE TO SITE CONDITIONS FOR WHITE WATER DESIGN STUDIO APPROVAL PRIOR TO MANUFACTURE & INSTALLATION AS APPROPRIATE TO THEIR TASK.

KEY PLAN :

AMMENDMENTS :

S.NO.	REV.DATE	DESCRIPTION

DRAWING NO :

DRAWING TITLE :
EXISTING FACADE

LOCATION :
T1 TERMINAL DOMESTIC-CHENNAI

DATE : 24-05-2024
 SCALE : NTS
 DRN. BY : PRATIKSHA
 CHKD. BY : DHYANESH

PROJECT :
PH-T1 TERMINAL DOMESTIC-CHENNAI

CLIENT :
TRAVEL FOOD SERVICES

WHITE WATE R
DESIGN STUDIO



HEAD OFFICE:-
 Anchorage, off Govandi Station Rd
 Near Amarnath Patil Ground, Govandi-(E)
 Mumbai 400 088
 TEL: +91 22 6740 7640.
 Email:studio@whitewaterdesign.in



PROPOSED FACADE IMAGES

NOTES :

THE COPYRIGHT OF THIS DRAWING REMAINS WITH WHITE WATER DESIGN STUDIO AND IT MAY NOT BE REPRODUCED IN ANY WHICH MANNER WITHOUT PRIOR WRITTEN CONSENT.

1. FIGURED DIMENSIONS ARE TO BE USED IN PREFERENCES TO SCALED SIZES. ALL DIMENSIONS MUST BE CHECKED BEFORE COMMENCING WORK ON SITE.
2. THIS DRAWINGS TO BE READ IN CONJUNCTION WITH ALL OTHER RELEVANT DRAWINGS.
3. ALL PROPOSED WORKS TO BE CARRIED OUT IN ACCORDANCE WITH TECHNICAL SPECIFICATIONS AND SCHEDULES MENTIONED FOR INTERIOR WORKS.
4. READ THIS DRAWING IN CONJUNCTION WITH ALL CONSULTANTS' & SPECIALISTS' DRAWINGS, DETAILS, SCHEDULES & SPECIFICATIONS FOR :
 I. SPRINKLER INSTALLATION
 II. AUTOMATIC FIRE DETECTION SYSTEMS
 III. AIR CONDITIONING SYSTEM & DISTRIBUTION (HVAC)
 IV. EMERGENCY LIGHTING
 V. PRIMARY WIRING DESIGN & DISTRIBUTION
5. ALL WORK IS TO BE CARRIED OUT STRICTLY IN ACCORDANCE WITH IS STANDARDS (WHERE APPLICABLE) & BEST TRADE PRACTICES. ALL WORK MUST SATISFY THE REQUIREMENTS OF THE LOCAL AUTHORITIES.
6. WHITE WATER DESIGN STUDIO TO APPROVE ALL CONTRACTORS' SETTINGS OUT & ALL CO-ORDINATION SHOP DRAWINGS PRIOR TO ALL MANUFACTURERS, CONTRACTORS, INSTALLERS & SPECIALISTS TO BE RESPONSIBLE FOR ENSURING THAT ALL OF THEIR COMMENCEMENT OF INSTALLATION
7. WORKS FULLY COMPLY (FIRE RATED PLY) WITH THE REQUIREMENTS OF THE AUTHORITIES & FIRE DEPARTMENT & THAT ALL SAFETY STANDARDS ARE MET THROUGHOUT.
8. ALL FIT-OUT CONTRACTORS & SPECIALISTS TO PREPARE FULL SHOP DRAWINGS WITH SPECIFIC REFERENCE TO SITE CONDITIONS FOR WHITE WATER DESIGN STUDIO APPROVAL PRIOR TO MANUFACTURE & INSTALLATION AS APPROPRIATE TO THEIR TASK.

KEY PLAN :

AMMENDMENTS :

S.NO.	REV.DATE	DESCRIPTION

DRAWING NO :

DRAWING TITLE :

3D VIEW

LOCATION :

T1 TERMINAL DOMESTIC-CHENNAI

DATE : 24-05-2024

SCALE : NTS

DRN. BY : PRATIKSHA

CHKD. BY : DHYANESH

PROJECT :

PH-T1 TERMINAL DOMESTIC-CHENNAI

CLIENT :

TRAVEL FOOD SERVICES

WHITE WATER R
DESIGN STUDIO

WW

HEAD OFFICE:-
 Anchorage, off Govandi Station Rd
 Near Amarnath Patil Ground, Govandi-(E)
 Mumbai 400 088
 TEL: +91 22 6740 7640.
 Email: studio@whitewaterdesign.in



NOTES :

THE COPYRIGHT OF THIS DRAWING REMAINS WITH WHITE WATER DESIGN STUDIO AND IT MAY NOT BE REPRODUCED IN ANY WHICH MANNER WITHOUT PRIOR WRITTEN CONSENT.

1. FIGURED DIMENSIONS ARE TO BE USED IN PREFERENCES TO SCALED SIZES. ALL DIMENSIONS MUST BE CHECKED BEFORE COMMENCING WORK ON SITE.
2. THIS DRAWINGS TO BE READ IN CONJUNCTION WITH ALL OTHER RELEVANT DRAWINGS.
3. ALL PROPOSED WORKS TO BE CARRIED OUT IN ACCORDANCE WITH TECHNICAL SPECIFICATIONS AND SCHEDULES MENTIONED FOR INTERIOR WORKS.
4. READ THIS DRAWING IN CONJUNCTION WITH ALL CONSULTANTS' & SPECIALISTS' DRAWINGS, DETAILS, SCHEDULES & SPECIFICATIONS FOR :
 i. SPRINKLER INSTALLATION
 ii. AUTOMATIC FIRE DETECTION SYSTEMS
 iii. AIR CONDITIONING SYSTEM & DISTRIBUTION (HVAC)
 iv. EMERGENCY LIGHTING
 v. PRIMARY WIRING DESIGN & DISTRIBUTION
5. ALL WORK IS TO BE CARRIED OUT STRICTLY IN ACCORDANCE WITH IS STANDARDS (WHERE APPLICABLE) & BEST TRADE PRACTICES. ALL WORK MUST SATISFY THE REQUIREMENTS OF THE LOCAL AUTHORITIES.
6. WHITE WATER DESIGN STUDIO TO APPROVE ALL CONTRACTORS' SETTINGS OUT & ALL CO-ORDINATION SHOP DRAWINGS PRIOR TO ALL MANUFACTURERS, CONTRACTORS, INSTALLERS & SPECIALISTS TO BE RESPONSIBLE FOR ENSURING THAT ALL OF THEIR COMMENCEMENT OF INSTALLATION
7. WORKS FULLY COMPLY (FIRE RATED PLY) WITH THE REQUIREMENTS OF THE AUTHORITIES & FIRE DEPARTMENT & THAT ALL SAFETY STANDARDS ARE MET THROUGHOUT.
8. ALL FIT-OUT CONTRACTORS & SPECIALISTS TO PREPARE FULL SHOP DRAWINGS WITH SPECIFIC REFERENCE TO SITE CONDITIONS FOR WHITE WATER DESIGN STUDIO APPROVAL PRIOR TO MANUFACTURE & INSTALLATION AS APPROPRIATE TO THEIR TASK.

KEY PLAN :



AMMENDMENTS :

S.NO.	REV.DATE	DESCRIPTION

DRAWING NO :

DRAWING TITLE :
3D VIEW

LOCATION :
T1 TERMINAL DOMESTIC-CHENNAI

DATE : 24-05-2024
 SCALE : NTS
 DRN. BY : PRATIKSHA
 CHKD. BY : DHYANESH

PROJECT :
PH-T1 TERMINAL DOMESTIC-CHENNAI

CLIENT :
TRAVEL FOOD SERVICES

WHITE WATE R
 DESIGN STUDIO



HEAD OFFICE:-
 Anchorage, off Govandi Station Rd
 Near Amarnath Patil Ground, Govandi-(E)
 Mumbai 400 088
 TEL: +91 22 6740 7640.
 Email: studio@whitewaterdesign.in



NOTES :

THE COPYRIGHT OF THIS DRAWING REMAINS WITH WHITE WATER DESIGN STUDIO AND IT MAY NOT BE REPRODUCED IN ANY WHICH MANNER WITHOUT PRIOR WRITTEN CONSENT.

1. FIGURED DIMENSIONS ARE TO BE USED IN PREFERENCES TO SCALED SIZES. ALL DIMENSIONS MUST BE CHECKED BEFORE COMMENCING WORK ON SITE.
2. THIS DRAWINGS TO BE READ IN CONJUNCTION WITH ALL OTHER RELEVANT DRAWINGS.
3. ALL PROPOSED WORKS TO BE CARRIED OUT IN ACCORDANCE WITH TECHNICAL SPECIFICATIONS AND SCHEDULES MENTIONED FOR INTERIOR WORKS.
4. READ THIS DRAWING IN CONJUNCTION WITH ALL CONSULTANTS' & SPECIALISTS' DRAWINGS, DETAILS, SCHEDULES & SPECIFICATIONS FOR :
 I. SPRINKLER INSTALLATION
 II. AUTOMATIC FIRE DETECTION SYSTEMS
 III. AIR CONDITIONING SYSTEM & DISTRIBUTION (HVAC)
 IV. EMERGENCY LIGHTING
 V. PRIMARY WIRING DESIGN & DISTRIBUTION
5. ALL WORK IS TO BE CARRIED OUT STRICTLY IN ACCORDANCE WITH IS STANDARDS (WHERE APPLICABLE) & BEST TRADE PRACTICES. ALL WORK MUST SATISFY THE REQUIREMENTS OF THE LOCAL AUTHORITIES.
6. WHITE WATER DESIGN STUDIO TO APPROVE ALL CONTRACTORS' SETTINGS OUT & ALL CO-ORDINATION SHOP DRAWINGS PRIOR TO ALL MANUFACTURERS, CONTRACTORS, INSTALLERS & SPECIALISTS TO BE RESPONSIBLE FOR ENSURING THAT ALL OF THEIR COMMENCEMENT OF INSTALLATION
7. WORKS FULLY COMPLY (FIRE RATED PLY) WITH THE REQUIREMENTS OF THE AUTHORITIES & FIRE DEPARTMENT & THAT ALL SAFETY STANDARDS ARE MET THROUGHOUT.
8. ALL FIT-OUT CONTRACTORS & SPECIALISTS TO PREPARE FULL SHOP DRAWINGS WITH SPECIFIC REFERENCE TO SITE CONDITIONS FOR WHITE WATER DESIGN STUDIO APPROVAL PRIOR TO MANUFACTURE & INSTALLATION AS APPROPRIATE TO THEIR TASK.

KEY PLAN :

AMMENDMENTS :

S.NO.	REV.DATE	DESCRIPTION

DRAWING NO :

DRAWING TITLE :
3D VIEW

LOCATION :
T1 TERMINAL DOMESTIC-CHENNAI

DATE : 24-05-2024
 SCALE : NTS
 DRN. BY : PRATIKSHA
 CHKD. BY : DHYANESH

PROJECT :
PH-T1 TERMINAL DOMESTIC-CHENNAI

CLIENT :
TRAVEL FOOD SERVICES

WHITE WATER R
DESIGN STUDIO



HEAD OFFICE:-
 Anchorage, off Govandi Station Rd
 Near Amarnath Patil Ground, Govandi-(E)
 Mumbai 400 088
 TEL: +91 22 6740 7640.
 Email:studio@whitewaterdesign.in