

LOOSE FURNITURE - SEATING



Deccan Manor, Ground Floor
Kashinath Dhuru Marg
Near Siddhivinayak Mandir
Prabhadevi, Mumbai, 400025
abm@abmarchitects.com

PROJECT	T1 LOUNGES - DOMESTIC LOUNGE PHASE 2
ISSUE DATE	JANUARY 22, 2024
VERSION	1

Notes:

1. All materials and methods of construction must comply with India local fire & life safety codes and ABM standards.
2. Must be of contract quality and suitable for commercial use.
3. Manufacturer to provide ABM with finish samples prior to fabrication.
4. Manufacturer to provide ABM with shop drawings prior to fabrication.
5. Manufacturer must provide a structurally sound product with proper proportions to insure stability and prevent tipping.
6. Insure that piece will fit in elevators and through doors prior to commencing fabrication. All images, photographs and renderings of specified items contained in this specification package are for general design intent and reference only.
7. All metal parts must be guaranteed against rust and corrosion.
8. Provide heavy duty nylon carpet glides/adjustable levelers.
9. Metal finishes to have clear rust inhibitor for humidity protection to prevent rust and corrosion. Manufacturer to ensure materials are noncorrosive and suitable for use in high humidity and salt air locations as required. All exposed metal to be of a gauge appropriate to item and have no visible welded joints.
11. Manufacturer must review design concept and inform purchasing agent of any problems or discrepancies prior to fabrication.

LOOSE FURNITURE - SEATING



Deccan Manor, Ground Floor
Kashinath Dhuru Marg
Near Siddhivinayak Mandir
Prabhadevi, Mumbai, 400025
abm@abmarchitects.com

PROJECT	T1 LOUNGES - DOMESTIC LOUNGE PHASE 2
ISSUE DATE	JANUARY 22, 2024
VERSION	1

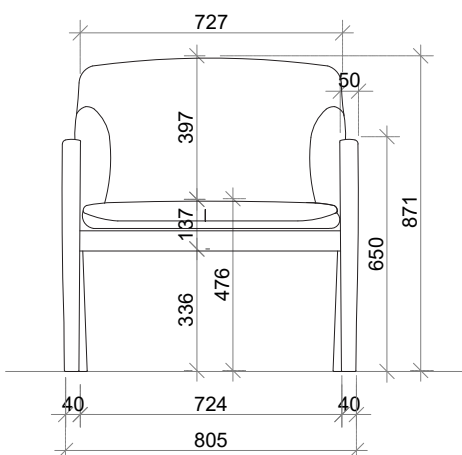
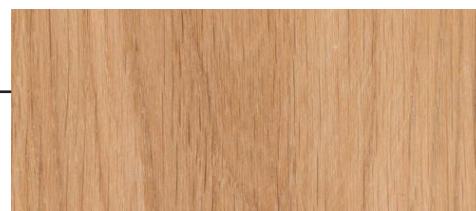
Item Number	SC-1
Location	RELAX LOUNGE
Item Description	Armchair 1
Manufacturer	
Finish	<ul style="list-style-type: none"> •Upholstery fabric as per image attached from Arc One, Mumbai •Legs in New Burma teak wood with approved staining
Quantity	16 nos.



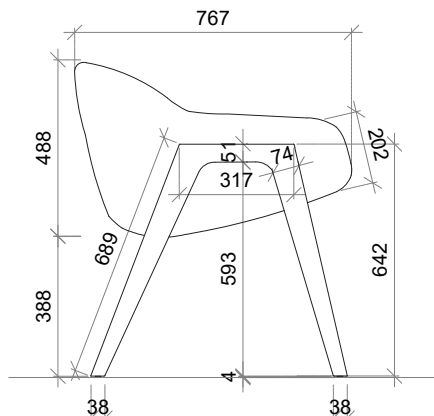
SC-1.1



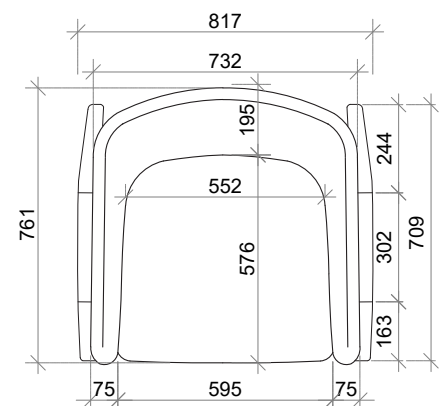
Burma Teakwood



FRONT ELEV



SIDE ELEV



PLAN

All logos/labels on the seating to include the 080 logo

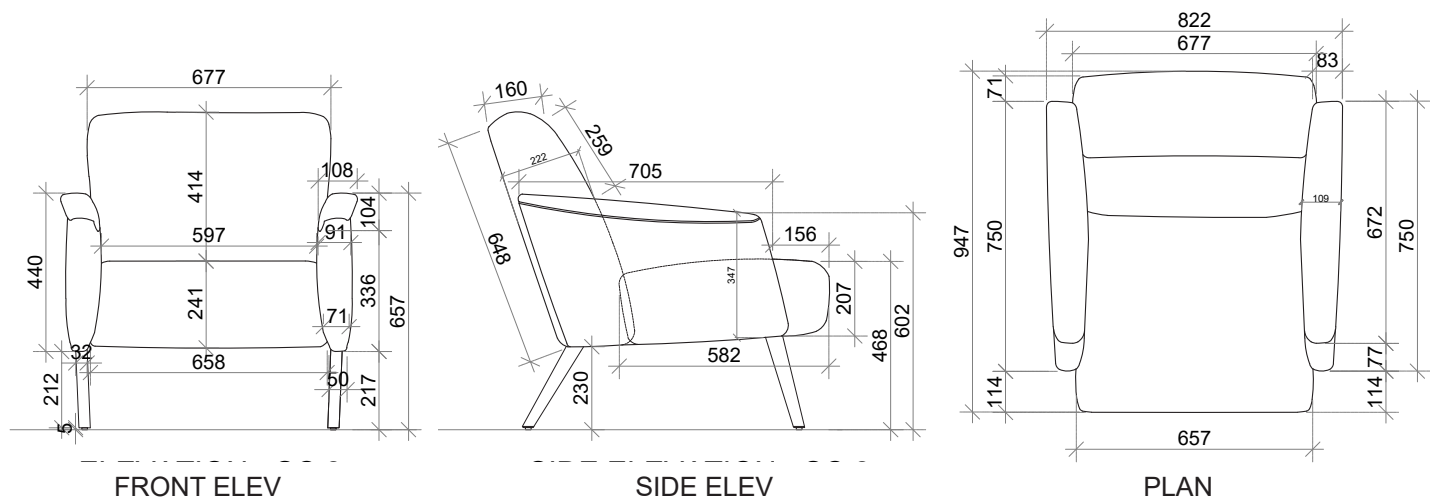
LOOSE FURNITURE - SEATING



Deccan Manor, Ground Floor
Kashinath Dhuru Marg
Near Siddhivinayak Mandir
Prabhadevi, Mumbai, 400025
abm@abmarchitects.com

PROJECT	T1 LOUNGES - DOMESTIC LOUNGE PHASE 2
ISSUE DATE	JANUARY 22, 2024
VERSION	1

Item Number	SC-2
Location	RELAX LOUNGE
Item Description	Armchair 2
Manufacturer	
Finish	<ul style="list-style-type: none"> Upholstery fabric as per image attached from Arc One, Mumbai Legs in New Burma teak wood with approved staining
Quantity	7 nos.



All logos/labels on the seating to include the 080 logo

LOOSE FURNITURE - SEATING

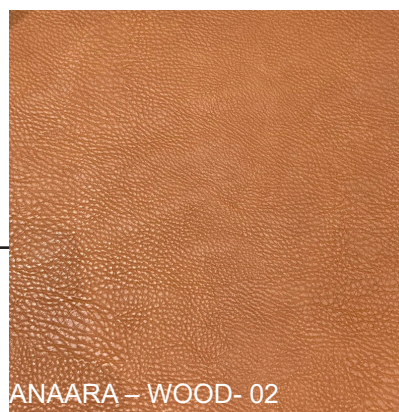


Deccan Manor, Ground Floor
Kashinath Dhuru Marg
Near Siddhivinayak Mandir
Prabhadevi, Mumbai, 400025
abm@abmarchitects.com

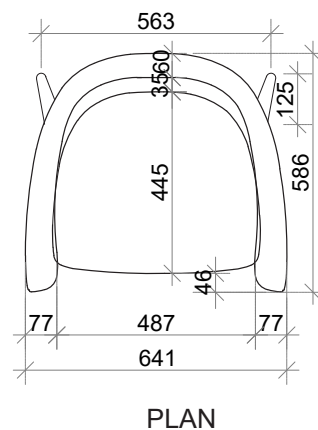
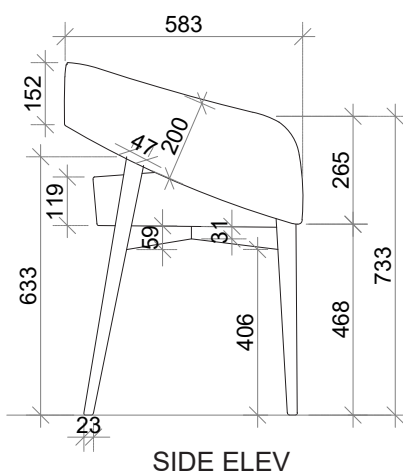
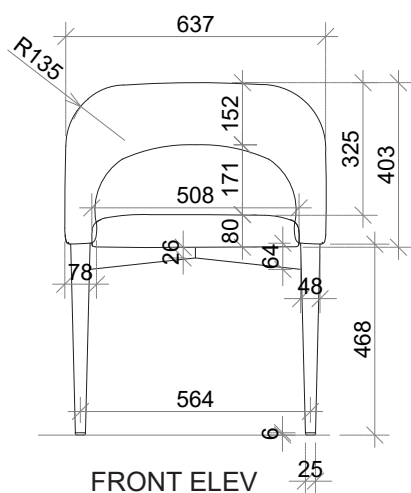
PROJECT	T1 LOUNGES - DOMESTIC LOUNGE PHASE 2
ISSUE DATE	JANUARY 22, 2024
VERSION	1

Item Number	SC-3
Location	SPORTS LOUNGE
Item Description	Armchair 3
Manufacturer	
Finish	<ul style="list-style-type: none"> •Upholstery leatherite as per image attached from Arc One, Mumbai •Legs in New Burma teak wood with approved staining
Quantity	10 nos.

SC-3.1



Burma Teakwood



All logos/labels on the seating to include the 080 logo

LOOSE FURNITURE - SEATING



Deccan Manor, Ground Floor
Kashinath Dhuru Marg
Near Siddhivinayak Mandir
Prabhadevi, Mumbai, 400025
abm@abmarchitects.com

PROJECT	T1 LOUNGES - DOMESTIC LOUNGE PHASE 2
ISSUE DATE	JANUARY 22, 2024
VERSION	1

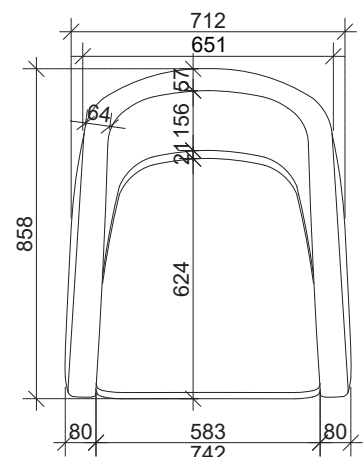
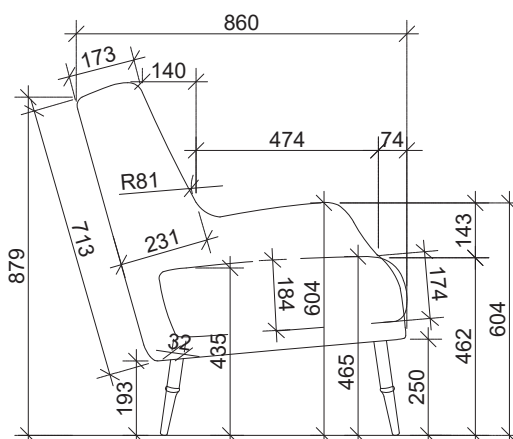
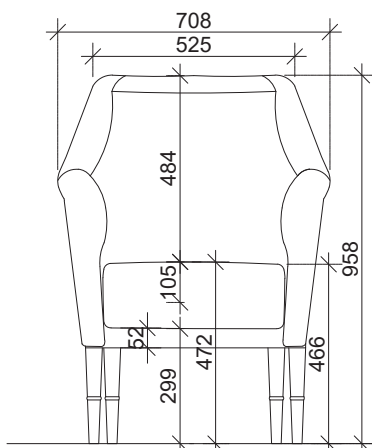
Item Number	SC-4
Location	SPORTS LOUNGE
Item Description	Armchair 4
Manufacturer	
Finish	<ul style="list-style-type: none"> •Upholstery leatherite as per image attached from Arc One, Mumbai •Legs in New Burma teak wood with approved staining
Quantity	13 nos.



SC-4.1



Burma Teakwood



All logos/labels on the seating to include the 080 logo

LOOSE FURNITURE - SEATING



Deccan Manor, Ground Floor
Kashinath Dhuru Marg
Near Siddhivinayak Mandir
Prabhadevi, Mumbai, 400025
abm@abmarchitects.com

PROJECT	T1 LOUNGES - DOMESTIC LOUNGE PHASE 2
ISSUE DATE	JANUARY 22, 2024
VERSION	1

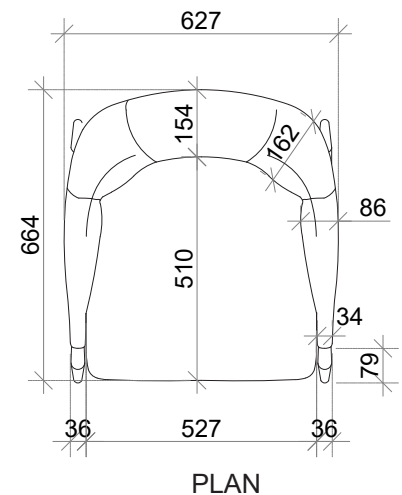
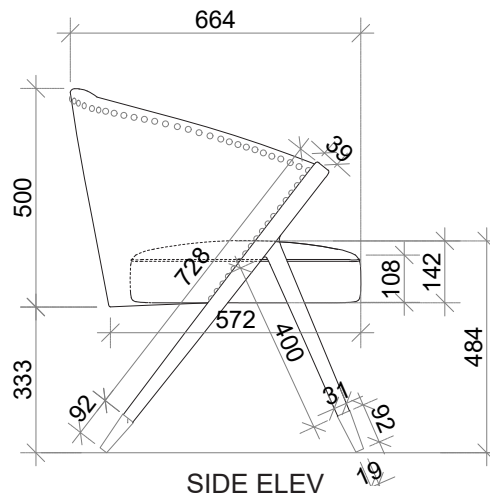
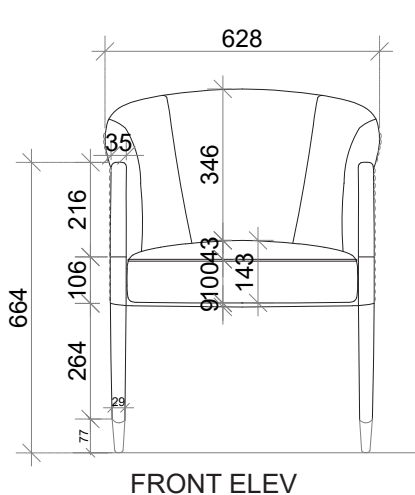
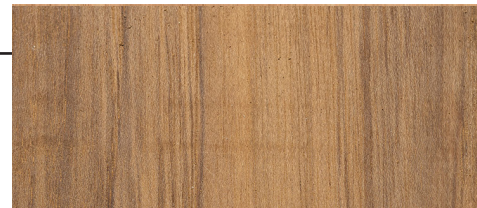
Item Number	SC-5
Location	SPORTS LOUNGE
Item Description	Armchair 5
Manufacturer	
Finish	<ul style="list-style-type: none"> •Upholstery fabric as per image attached from Arc One, Mumbai •Legs in New Burma teak wood with approved staining
Quantity	12 nos.



SC-5.1



Burma Teakwood



All logos/labels on the seating to include the 080 logo

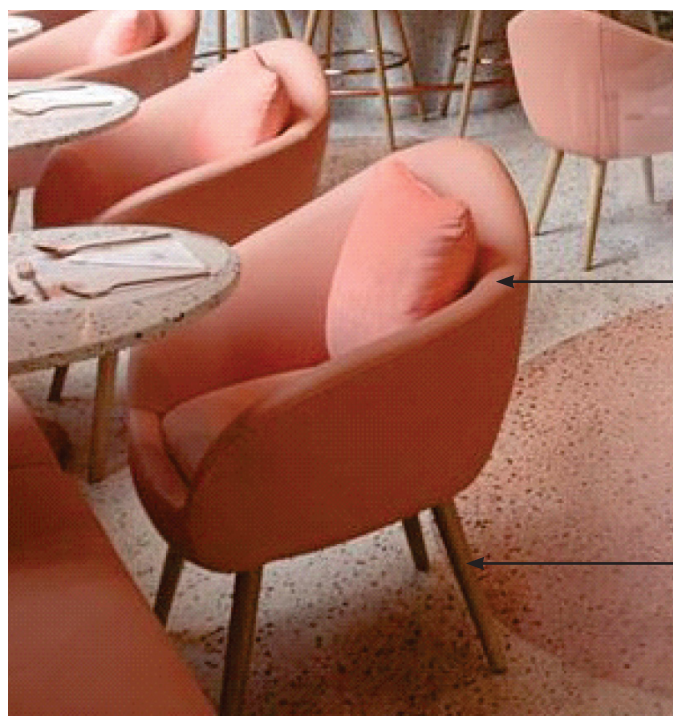
LOOSE FURNITURE - SEATING



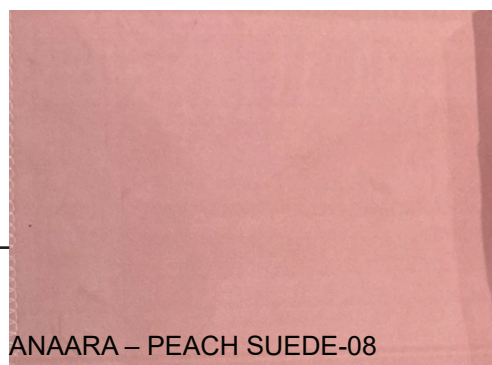
Deccan Manor, Ground Floor
Kashinath Dhuru Marg
Near Siddhivinayak Mandir
Prabhadevi, Mumbai, 400025
abm@abmarchitects.com

PROJECT	T1 LOUNGES - DOMESTIC LOUNGE PHASE 2
ISSUE DATE	JANUARY 22, 2024
VERSION	1

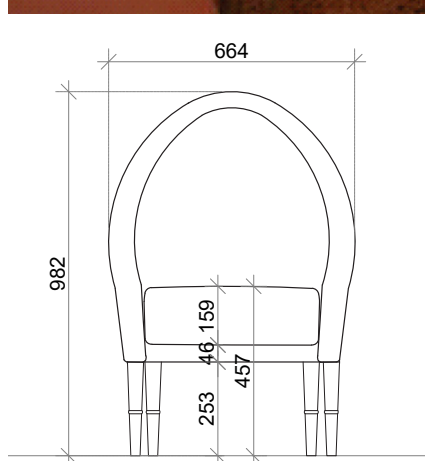
Item Number	SC-6
Location	TEA GARDEN
Item Description	Armchair 6
Manufacturer	
Finish	<ul style="list-style-type: none"> •Upholstery fabric as per image attached from Arc One, Mumbai •Legs in New Burma teak wood with approved staining
Quantity	19 nos.



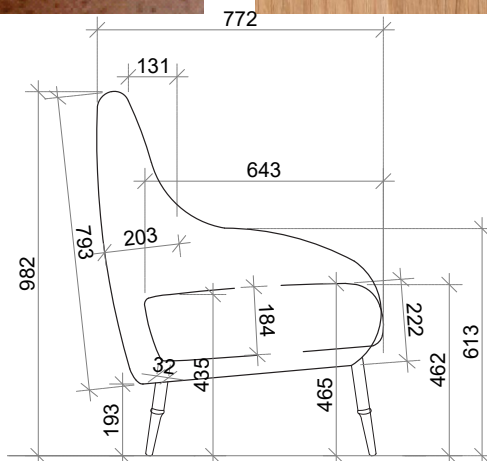
SC-6.1



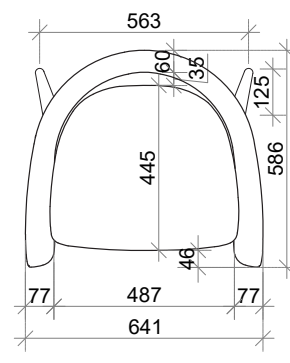
Burma Teakwood



FRONT ELEV



SIDE ELEV



PLAN

All logos/labels on the seating to include the 080 logo

LOOSE FURNITURE - SEATING



Deccan Manor, Ground Floor
Kashinath Dhuru Marg
Near Siddhivinayak Mandir
Prabhadevi, Mumbai, 400025
abm@abmarchitects.com

PROJECT	T1 LOUNGES - DOMESTIC LOUNGE PHASE 2
ISSUE DATE	JANUARY 22, 2024
VERSION	1

Item Number	CH-1
Location	SPORTS LOUNGE
Item Description	Bar Stool 1
Manufacturer	
Finish	<ul style="list-style-type: none"> •Upholstery leatherite as per image attached from Arc One, Mumbai •Legs in black powder coated metal •All bar stools to be in swivel
Quantity	11 nos.

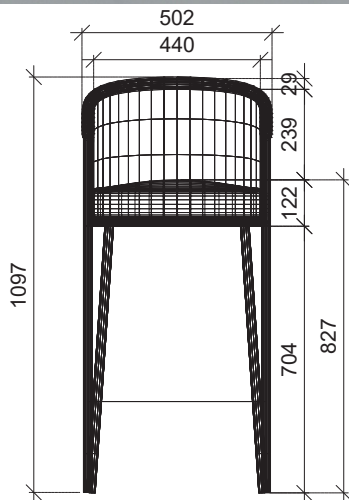
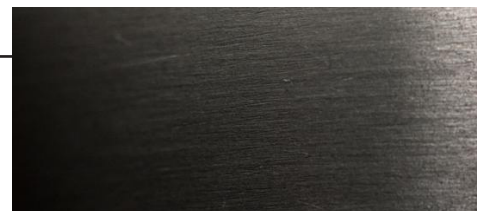


CH-1.1

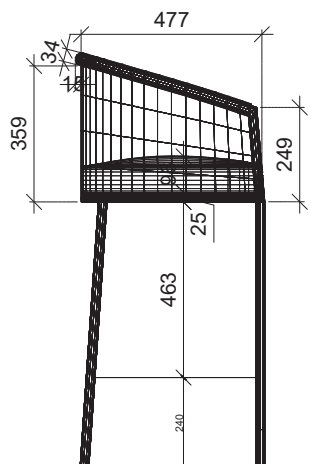


ANAARA – LEATHER PEACH-05

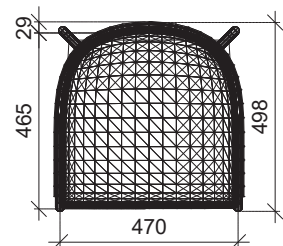
Black Powder Coated Metal



FRONT ELEV



SIDE ELEV



PLAN

All logos/labels on the seating to include the 080 logo

LOOSE FURNITURE - SEATING



Deccan Manor, Ground Floor
Kashinath Dhuru Marg
Near Siddhivinayak Mandir
Prabhadevi, Mumbai, 400025
abm@abmarchitects.com

PROJECT	T1 LOUNGES - DOMESTIC LOUNGE PHASE 2
ISSUE DATE	JANUARY 22, 2024
VERSION	1

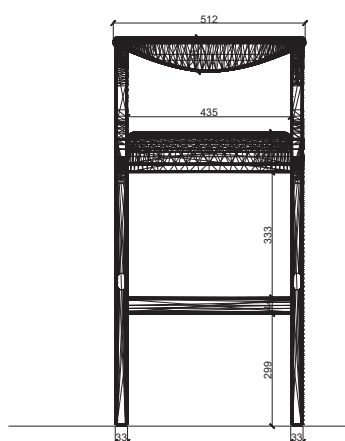
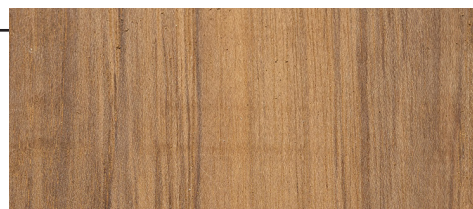
Item Number	CH-2
Location	SPORTS LOUNGE
Item Description	Bar Stool 2
Manufacturer	
Finish	<ul style="list-style-type: none"> •Upholstery leatherite as per image attached from Arc One, Mumbai •Legs in New Burma teak wood with approved staining •All bar stools to be in swivel
Quantity	12 nos.



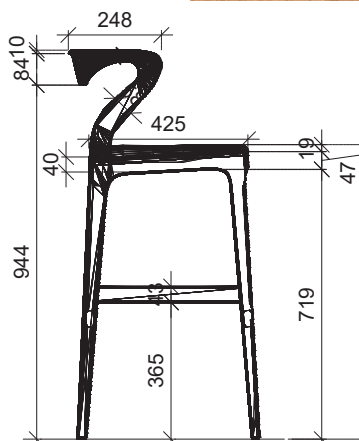
CH-2.1



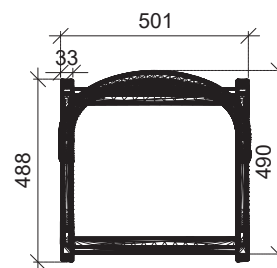
Burma Teakwood



FRONT ELEV



SIDE ELEV



PLAN

All logos/labels on the seating to include the 080 logo

LOOSE FURNITURE - SEATING



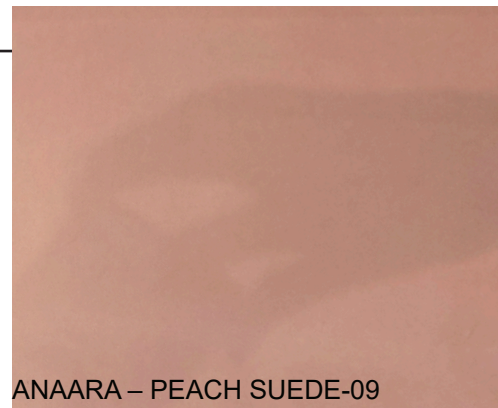
Deccan Manor, Ground Floor
Kashinath Dhuru Marg
Near Siddhivinayak Mandir
Prabhadevi, Mumbai, 400025
abm@abmarchitects.com

PROJECT	T1 LOUNGES - DOMESTIC LOUNGE PHASE 2
ISSUE DATE	JANUARY 22, 2024
VERSION	1

Item Number	CH-3
Location	TEA GARDEN
Item Description	Bar Stool 3
Manufacturer	
Finish	<ul style="list-style-type: none"> •Upholstery fabric as per image attached from Arc One, Mumbai •Legs in New Burma teak wood with approved staining •All bar stools to be in swivel
Quantity	10 nos.

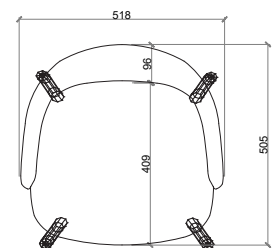
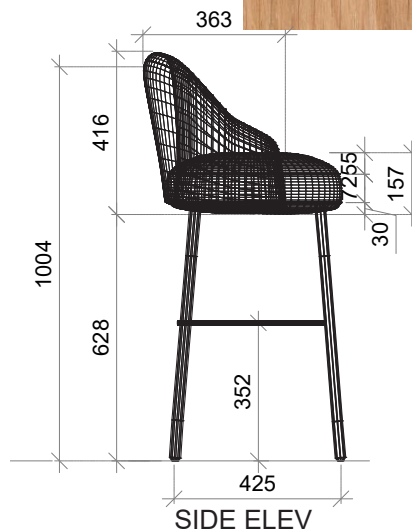
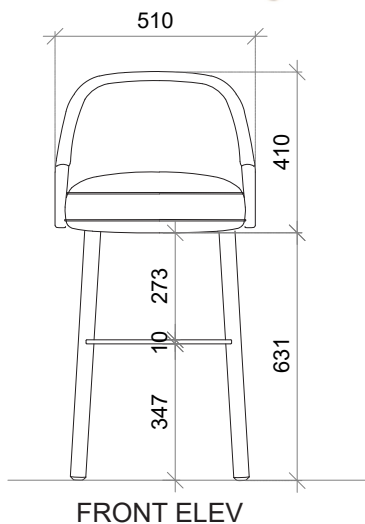
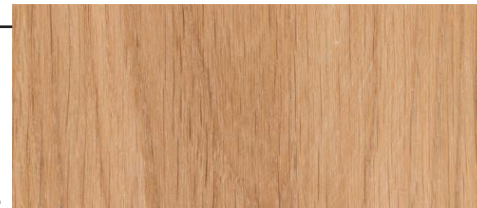


CH-3.1



ANAARA – PEACH SUEDE-09

Burma Teakwood



All logos/labels on the seating to include the 080 logo

LOOSE FURNITURE - SEATING



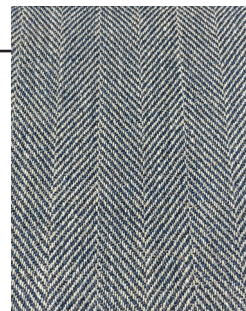
Deccan Manor, Ground Floor
Kashinath Dhuru Marg
Near Siddhivinayak Mandir
Prabhadevi, Mumbai, 400025
abm@abmarchitects.com

PROJECT	T1 LOUNGES - DOMESTIC LOUNGE PHASE 2
ISSUE DATE	JANUARY 22, 2024
VERSION	1

Item Number	CH-4 & CH-5
Location	DINING AREA
Item Description	Dining Chair 1 & 2
Manufacturer	
Finish	<ul style="list-style-type: none"> •Upholstery fabric as per image attached from Arc One, Mumbai •Legs in New Burma teak wood with approved staining
Quantity	32 nos.

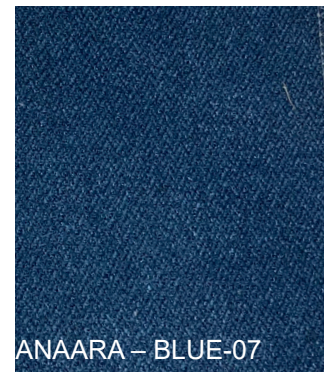


CH-4.1



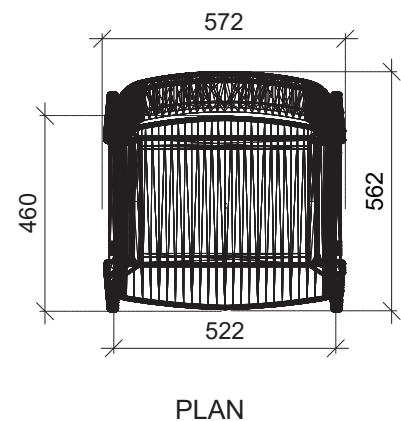
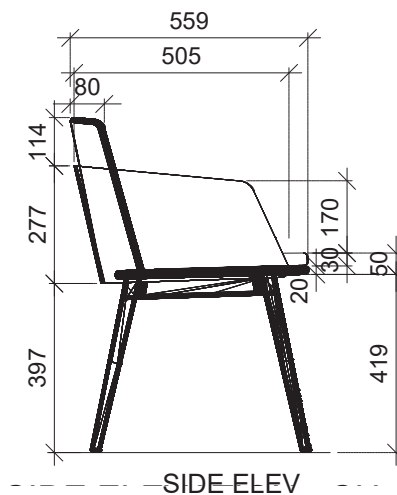
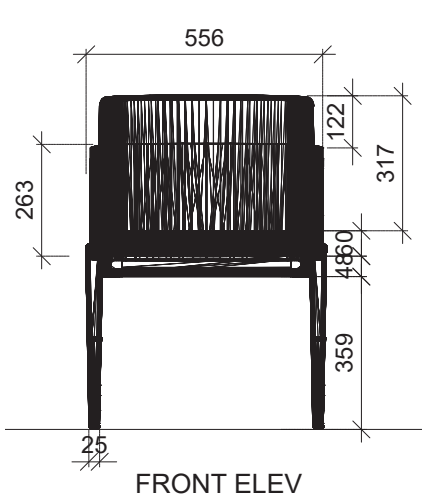
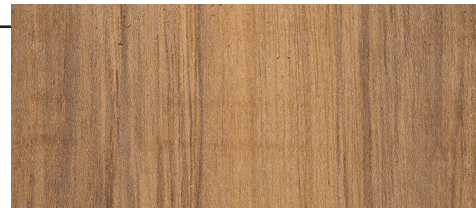
ANAARA - DENIM WEAVE-06
14 nos.

CH-5.1



ANAARA - BLUE-07
18 nos.

Burma Teakwood



All logos/labels on the seating to include the 080 logo

LOOSE FURNITURE - TABLES



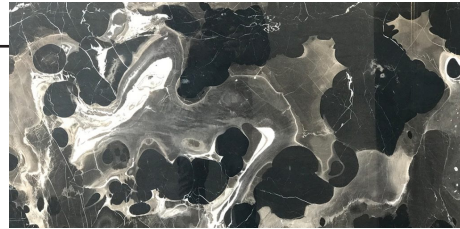
Deccan Manor, Ground Floor
Kashinath Dhuru Marg
Near Siddhivinayak Mandir
Prabhadevi, Mumbai, 400025
abm@abmarchitects.com

PROJECT	T1 LOUNGES - DOMESTIC LOUNGE PHASE 2
ISSUE DATE	JANUARY 22, 2024
VERSION	1

Item Number	CT-01
Location	RELAX LOUNGE
Item Description	Center Table
Manufacturer	
Quantity	4 nos.

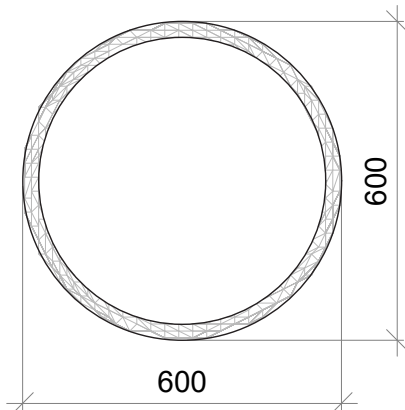


ITM-1

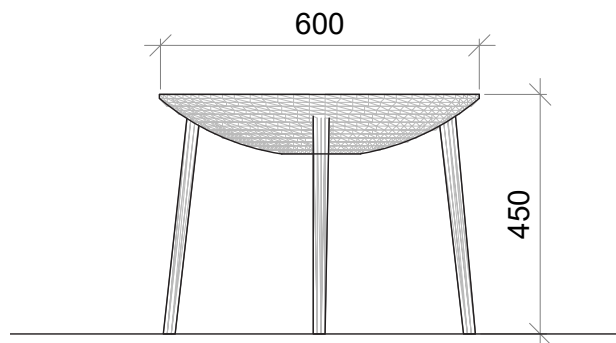


Black Rose Marble Top

Metallic Duco Paint



PLAN



FRONT ELEV

LOOSE FURNITURE - TABLES



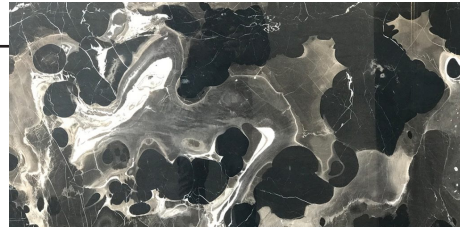
Deccan Manor, Ground Floor
Kashinath Dhuru Marg
Near Siddhivinayak Mandir
Prabhadevi, Mumbai, 400025
abm@abmarchitects.com

PROJECT	T1 LOUNGES - DOMESTIC LOUNGE PHASE 2
ISSUE DATE	JANUARY 22, 2024
VERSION	1

Item Number	CT-02
Location	SPORTS LOUNGE, LIVE DINING
Item Description	Dining Table
Manufacturer	
Quantity	15 nos.

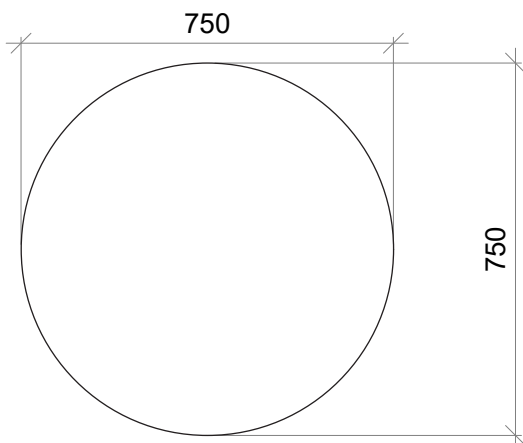
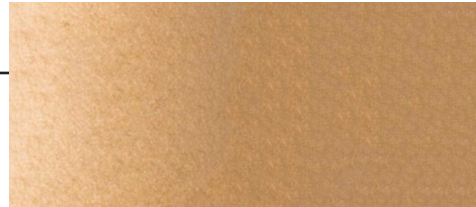


ITM-1

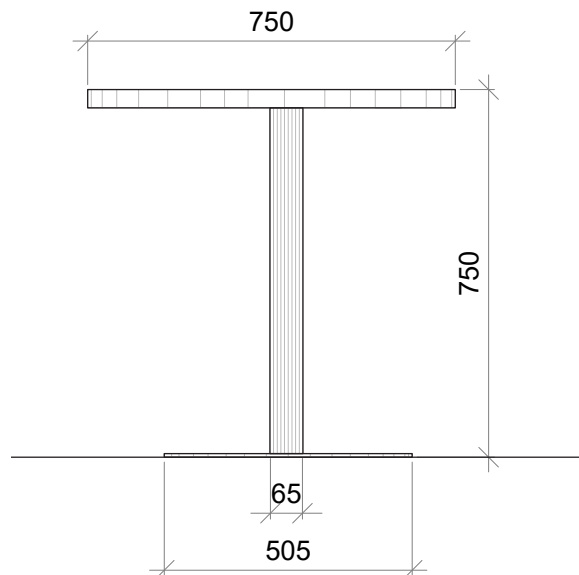


Black Rose Marble Top

Metallic Duco Paint



PLAN



FRONT ELEV

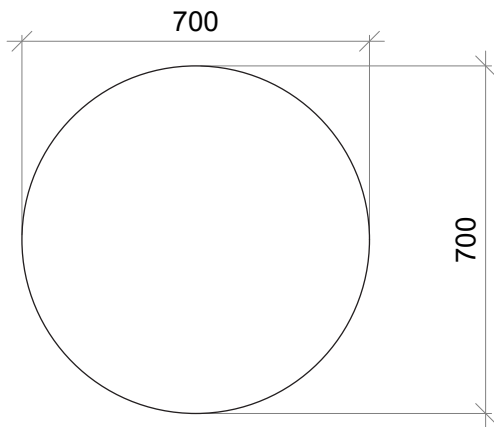
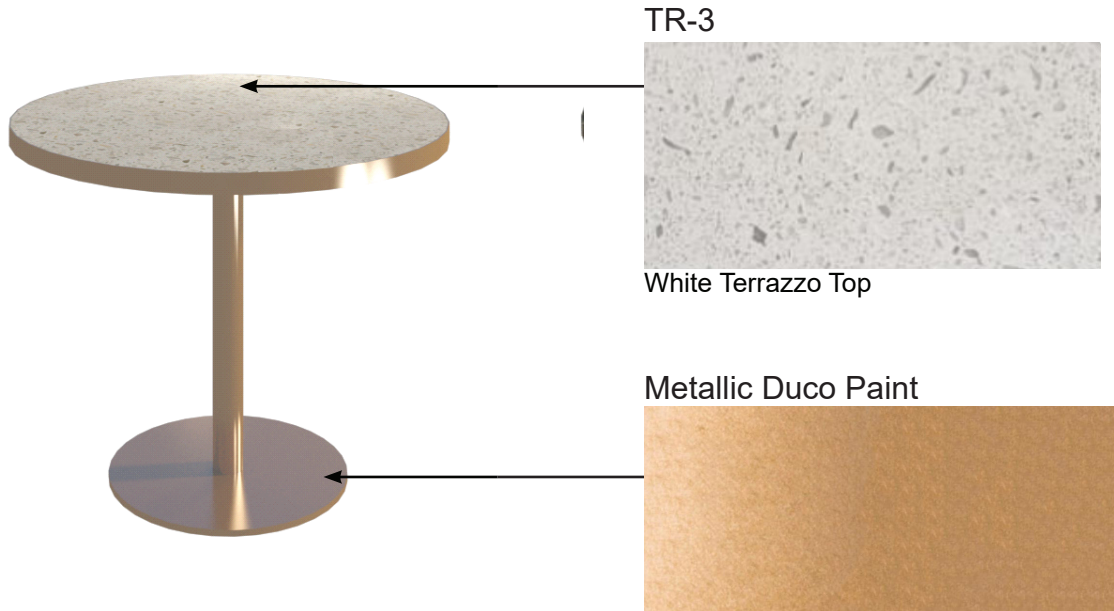
LOOSE FURNITURE - TABLES



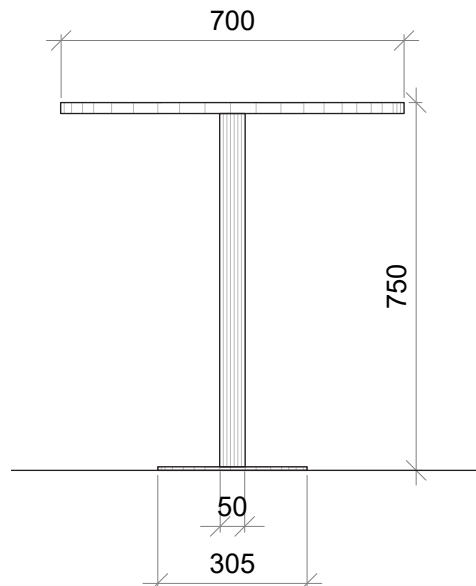
Deccan Manor, Ground Floor
Kashinath Dhuru Marg
Near Siddhivinayak Mandir
Prabhadevi, Mumbai, 400025
abm@abmarchitects.com

PROJECT	T1 LOUNGES - DOMESTIC LOUNGE PHASE 2
ISSUE DATE	JANUARY 22, 2024
VERSION	1

Item Number	CT-03
Location	TEA GARDEN
Item Description	Dining Table
Manufacturer	
Quantity	14 nos.



PLAN



FRONT ELEV

LOOSE FURNITURE - TABLES



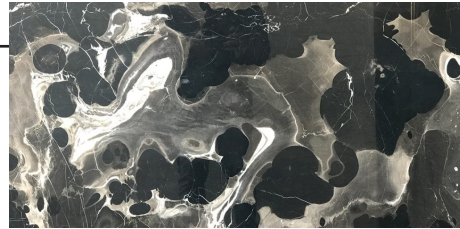
Deccan Manor, Ground Floor
Kashinath Dhuru Marg
Near Siddhivinayak Mandir
Prabhadevi, Mumbai, 400025
abm@abmarchitects.com

PROJECT	T1 LOUNGES - DOMESTIC LOUNGE PHASE 2
ISSUE DATE	JANUARY 22, 2024
VERSION	1

Item Number	CT-04
Location	LIVE DINING
Item Description	Dining Table
Manufacturer	
Quantity	4 nos.

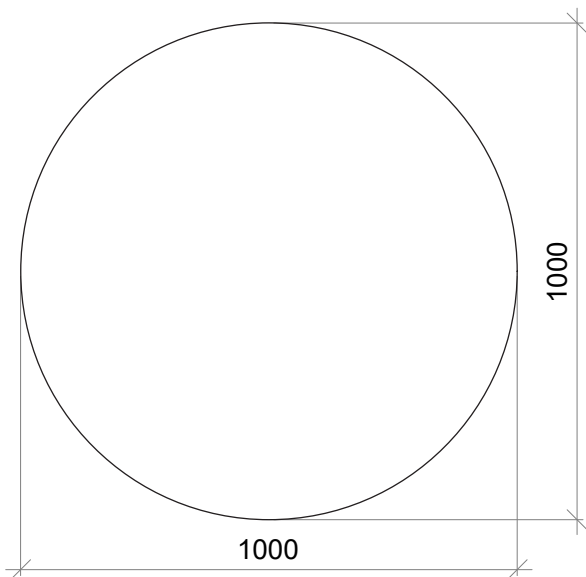
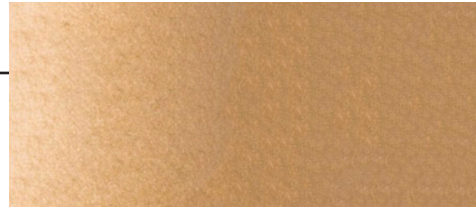


ITM-1

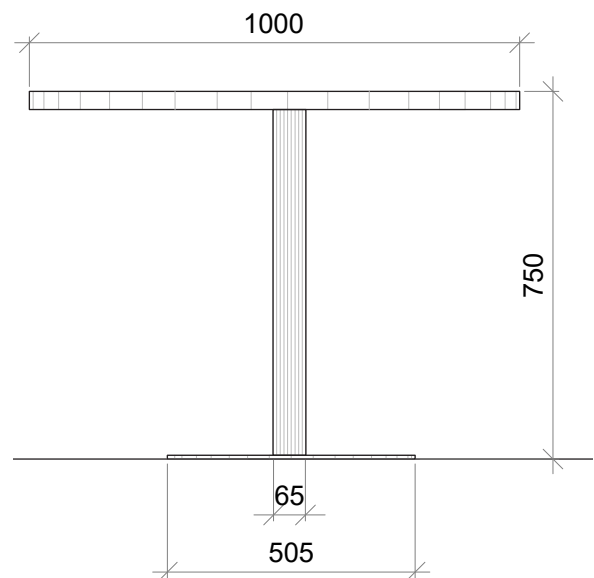


Black Rose Marble Top

Metallic Duco Paint



PLAN



FRONT ELEV

LOOSE FURNITURE - TABLES



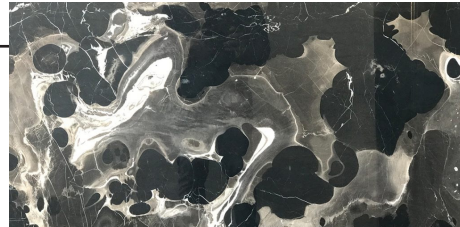
Deccan Manor, Ground Floor
Kashinath Dhuru Marg
Near Siddhivinayak Mandir
Prabhadevi, Mumbai, 400025
abm@abmarchitects.com

PROJECT	T1 LOUNGES - DOMESTIC LOUNGE PHASE 2
ISSUE DATE	JANUARY 22, 2024
VERSION	1

Item Number	D-LF-01
Location	LIVE DINING
Item Description	Dining Table
Manufacturer	
Quantity	4 nos.

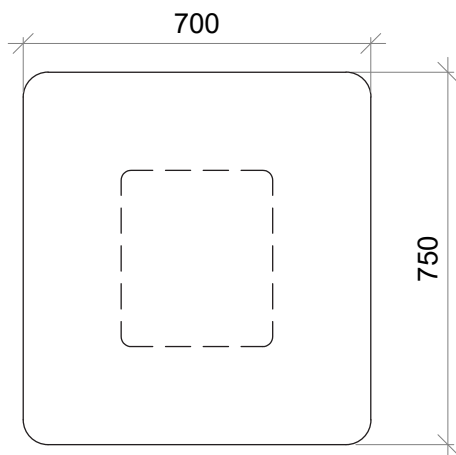
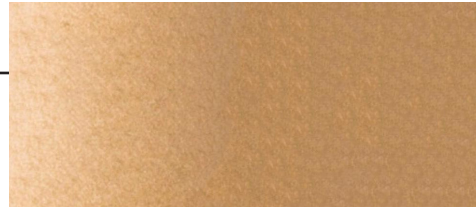


ITM-1

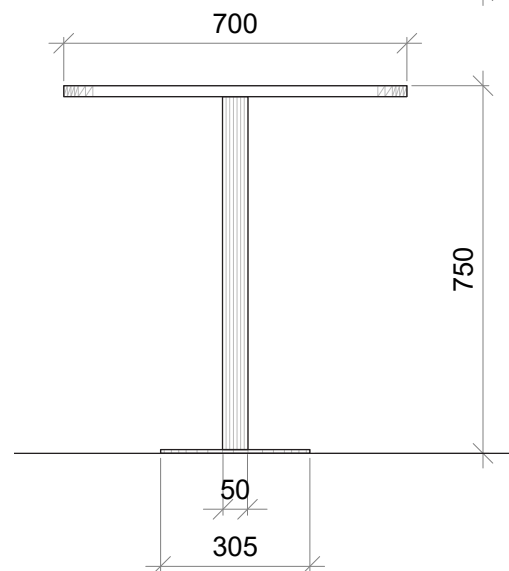


Black Rose Marble Top

Metallic Duco Paint



PLAN



FRONT ELEV

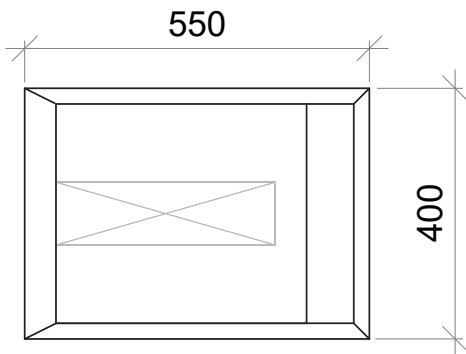
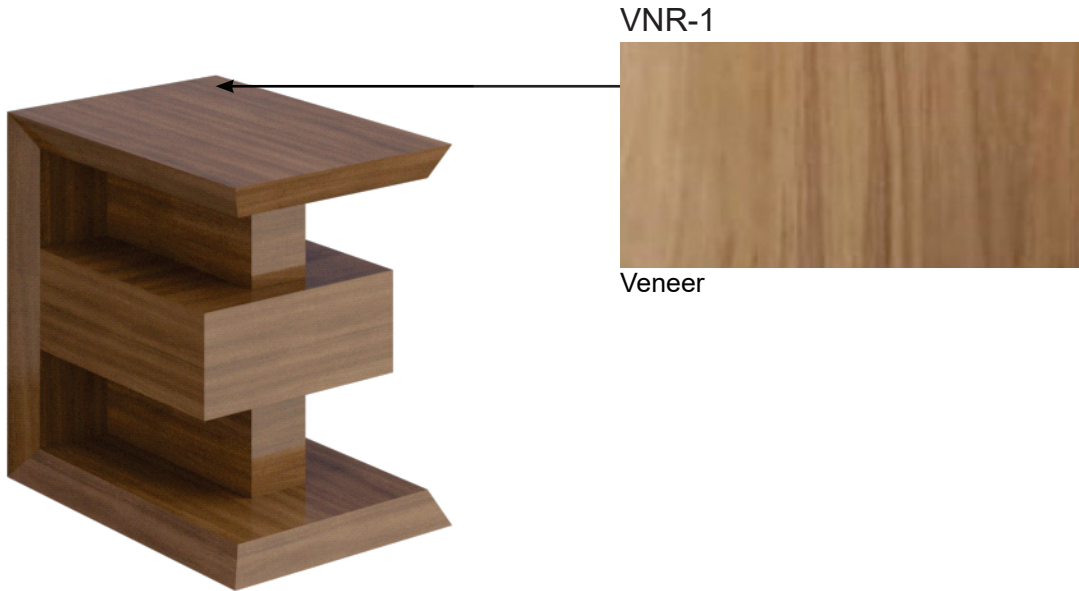
LOOSE FURNITURE - TABLES



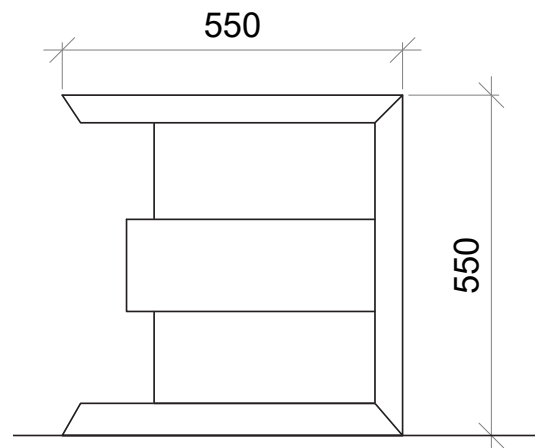
Deccan Manor, Ground Floor
Kashinath Dhuru Marg
Near Siddhivinayak Mandir
Prabhadevi, Mumbai, 400025
abm@abmarchitects.com

PROJECT	T1 LOUNGES - DOMESTIC LOUNGE PHASE 2
ISSUE DATE	JANUARY 22, 2024
VERSION	1

Item Number	ST-01
Location	RELAX LOUNGE
Item Description	Side Table
Manufacturer	
Quantity	22 nos.



PLAN



FRONT ELEV