

# DECORATIVE LIGHT FIXTURES



Deccan Manor, Ground Floor  
Kashinath Dhuru Marg  
Near Siddhivinayak Mandir  
Prabhadevi, Mumbai, 400025  
abm@abmarchitects.com  
www.abmarchitects.com

|                   |   |
|-------------------|---|
| <b>PROJECT</b>    | <b>T1 LOUNGES - DOMESTIC LOUNGE PHASE 2</b> |
| <b>ISSUE DATE</b> | <b>JANUARY 22, 2024</b>                     |
| <b>VERSION</b>    | <b>1</b>                                    |

## Notes:

1. All materials and methods of construction must comply with India local electrical, fire & life safety codes and ABM standards.
2. Must be of contract quality and suitable for commercial use.
3. Manufacturer to provide ABM with finish samples prior to fabrication.
4. Manufacturer to provide ABM with shop drawings prior to fabrication.
5. All images, photographs and renderings of specified items contained in this specification package are for general design intent and reference only.
6. All metal parts must be guaranteed against rust and corrosion.
7. Metal finishes to have clear rust inhibitor for humidity protection to prevent rust and corrosion. Manufacturer to ensure materials are noncorrosive and suitable for use in high humidity and salt air locations as required. All exposed metal to be of a gauge appropriate to item and have no visible welded joints.
8. Manufacturer must review design concept and inform purchasing agent of any problems or discrepancies prior to fabrication.

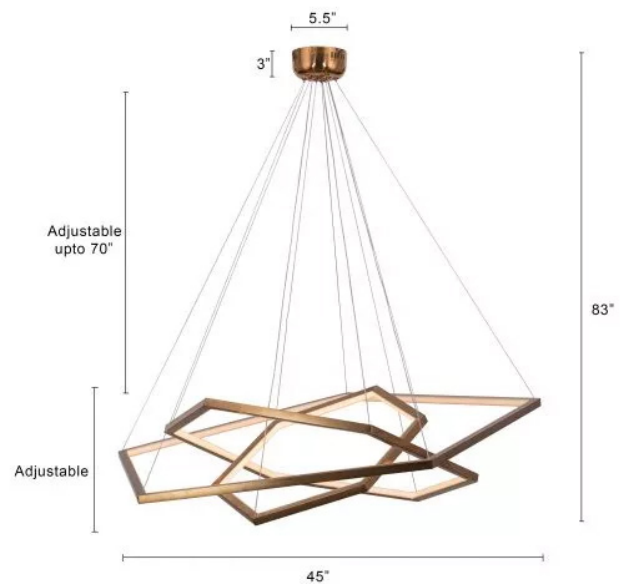
# DECORATIVE LIGHT FIXTURES



Deccan Manor, Ground Floor  
Kashinath Dhuru Marg  
Near Siddhivinayak Mandir  
Prabhadevi, Mumbai, 400025  
abm@abmarchitects.com  
www.abmarchitects.com

|                   |   |
|-------------------|---|
| <b>PROJECT</b>    | <b>T1 LOUNGES - DOMESTIC LOUNGE PHASE 2</b> |
| <b>ISSUE DATE</b> | <b>JANUARY 22, 2024</b>                     |
| <b>VERSION</b>    | <b>1</b>                                    |

|                          |  |
|--------------------------|--|
| Item Number              | <b>DL-01</b>   |
| Location                 | <b>WELCOME LOUNGE - Phase 2</b>                                      |
| Item Description         | <b>Chandelier</b>  |
| Manufacturer             | White Teak   |
| Finish                   | •All metal to be in Bronze/copper finish                             |
| Technical Specifications | •6 nos - 9 watts LED bulbs/equivalent<br>•With provision for dimming |
| Note                     | With adjustable hanging arrangement                                  |
| Quantity                 | 2 nos.   |



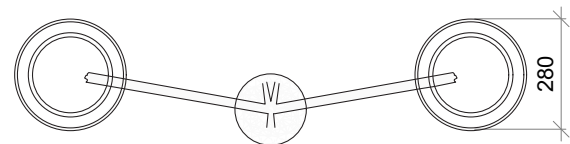
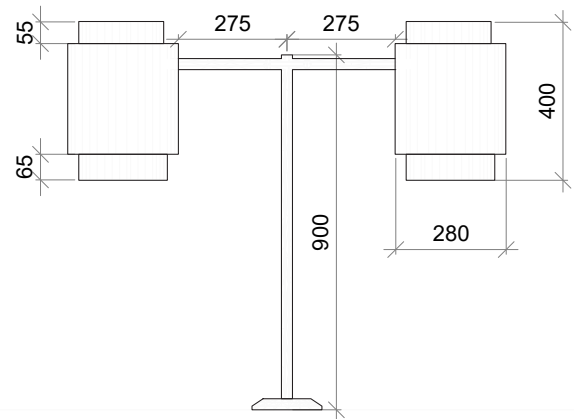
# DECORATIVE LIGHT FIXTURES



Deccan Manor, Ground Floor  
Kashinath Dhuru Marg  
Near Siddhivinayak Mandir  
Prabhadevi, Mumbai, 400025  
abm@abmarchitects.com  
www.abmarchitects.com

|                   |   |
|-------------------|---|
| <b>PROJECT</b>    | <b>T1 LOUNGES - DOMESTIC LOUNGE PHASE 2</b> |
| <b>ISSUE DATE</b> | <b>JANUARY 22, 2024</b>                     |
| <b>VERSION</b>    | <b>1</b>                                    |

|                          |  |
|--------------------------|--|
| Item Number              | <b>DL-02</b>   |
| Location                 | <b>SPORTS LOUNGE</b>   |
| Item Description         | <b>Table Lamp</b>  |
| Manufacturer             | The Kaleido Store  |
| Finish                   | •All metal to be in Bronze/copper finish                             |
| Technical Specifications | •4 nos - 9 watts LED bulbs/equivalent<br>•With provision for dimming |
| Quantity                 | 4 nos.   |



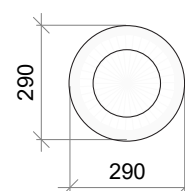
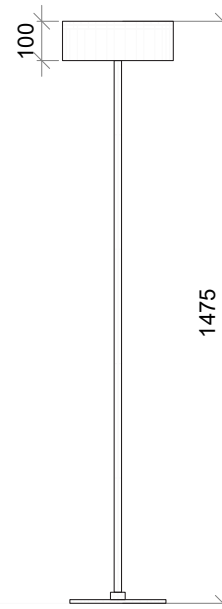
# DECORATIVE LIGHT FIXTURES



Deccan Manor, Ground Floor  
Kashinath Dhuru Marg  
Near Siddhivinayak Mandir  
Prabhadevi, Mumbai, 400025  
abm@abmarchitects.com  
www.abmarchitects.com

|            |                                      |
|------------|--------------------------------------|
| PROJECT    | T1 LOUNGES - DOMESTIC LOUNGE PHASE 2 |
| ISSUE DATE | JANUARY 22, 2024                     |
| VERSION    | 1                                    |

|                          |   |
|--------------------------|---|
| Item Number              | DL-03   |
| Location                 | SPORTS LOUNGE, RELAX LOUNGE, TEA GARDEN                               |
| Item Description         | Floor Lamp  |
| Manufacturer             | The Kaleido Store   |
| Finish                   | •All metal to be in Bronze/copper finish                              |
| Technical Specifications | •13 nos - 9 watts LED bulbs/equivalent<br>•With provision for dimming |
| Quantity                 | 13 nos.   |



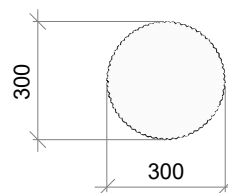
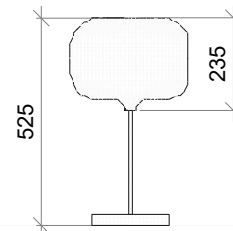
# DECORATIVE LIGHT FIXTURES



Deccan Manor, Ground Floor  
Kashinath Dhuru Marg  
Near Siddhivinayak Mandir  
Prabhadevi, Mumbai, 400025  
abm@abmarchitects.com  
www.abmarchitects.com

|            |                                      |
|------------|--------------------------------------|
| PROJECT    | T1 LOUNGES - DOMESTIC LOUNGE PHASE 2 |
| ISSUE DATE | JANUARY 22, 2024                     |
| VERSION    | 1                                    |

|                          |  |
|--------------------------|--|
| Item Number              | DL-04  |
| Location                 | RELAX LOUNGE   |
| Item Description         | Table Lamp   |
| Manufacturer             | The Kaleido Store  |
| Finish                   | •All metal to be in Bronze/copper finish                             |
| Technical Specifications | •9 nos - 9 watts LED bulbs/equivalent<br>•With provision for dimming |
| Quantity                 | 9 nos.   |



QUIET LOUNGE

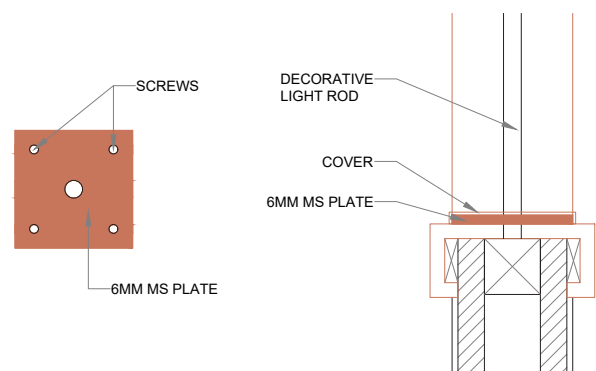
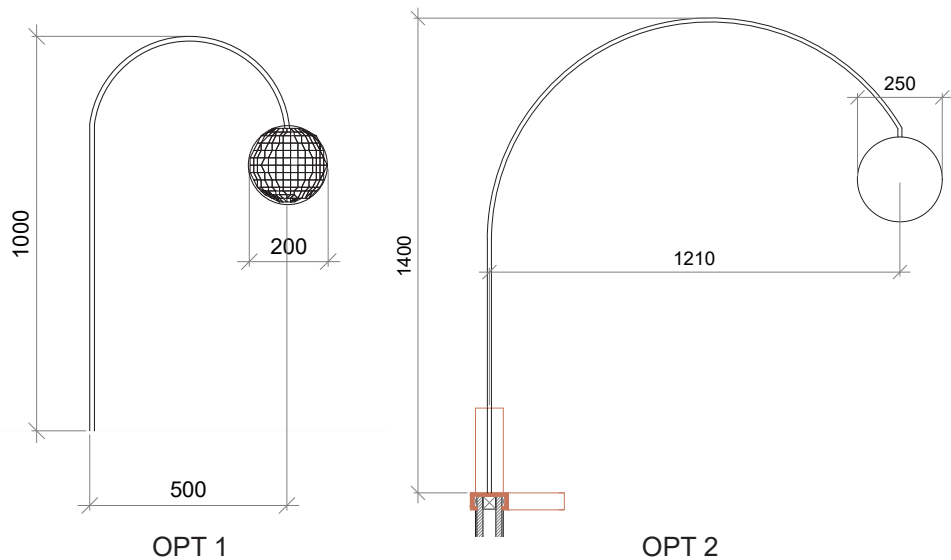
# DECORATIVE LIGHT FIXTURES



Deccan Manor, Ground Floor  
Kashinath Dhuru Marg  
Near Siddhivinayak Mandir  
Prabhadevi, Mumbai, 400025  
abm@abmarchitects.com  
www.abmarchitects.com

|                   |   |
|-------------------|---|
| <b>PROJECT</b>    | <b>T1 LOUNGES - DOMESTIC LOUNGE PHASE 2</b> |
| <b>ISSUE DATE</b> | <b>JANUARY 22, 2024</b>                     |
| <b>VERSION</b>    | <b>1</b>                                    |

|                                 |  |
|---------------------------------|--|
| <b>Item Number</b>              | <b>DL-05</b>   |
| <b>Location</b>                 | <b>TEA GARDEN</b>  |
| <b>Item Description</b>         | <b>Lamp</b>  |
| <b>Manufacturer</b>             | The Kaleido Store  |
| <b>Finish</b>                   | •All metal to be in Bronze/copper finish                             |
| <b>Technical Specifications</b> | •5 nos - 9 watts LED bulbs/equivalent<br>•With provision for dimming |
| <b>Quantity</b>                 | 5 nos.   |



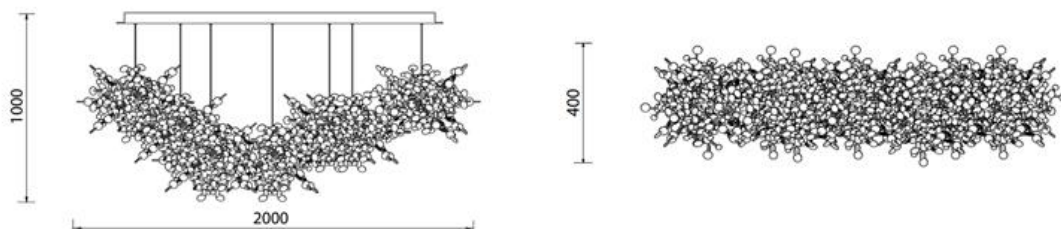
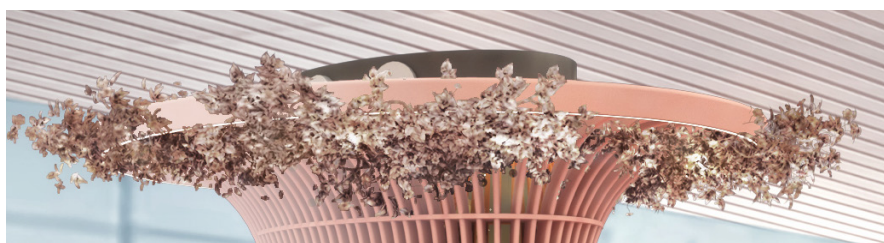
# DECORATIVE LIGHT FIXTURES



Deccan Manor, Ground Floor  
Kashinath Dhuru Marg  
Near Siddhivinayak Mandir  
Prabhadevi, Mumbai, 400025  
abm@abmarchitects.com  
www.abmarchitects.com

|            |                                      |
|------------|--------------------------------------|
| PROJECT    | T1 LOUNGES - DOMESTIC LOUNGE PHASE 2 |
| ISSUE DATE | JANUARY 22, 2024                     |
| VERSION    | 1                                    |

|                          |  |
|--------------------------|--|
| Item Number              | DL-06  |
| Location                 | TEA GARDEN   |
| Item Description         | Hanging Chandelier   |
| Manufacturer             | UniLights  |
| Finish                   | •All metal to be in Bronze/copper finish                             |
| Technical Specifications | •5 nos - 9 watts LED bulbs/equivalent<br>•With provision for dimming |
| Quantity                 | 7 nos.   |



# DECORATIVE LIGHT FIXTURES



Deccan Manor, Ground Floor  
Kashinath Dhuru Marg  
Near Siddhivinayak Mandir  
Prabhadevi, Mumbai, 400025  
abm@abmarchitects.com  
www.abmarchitects.com

|            |                                      |
|------------|--------------------------------------|
| PROJECT    | T1 LOUNGES - DOMESTIC LOUNGE PHASE 2 |
| ISSUE DATE | JANUARY 22, 2024                     |
| VERSION    | 1                                    |

|                          |  |
|--------------------------|--|
| Item Number              | DL-07  |
| Location                 | DINING AREA  |
| Item Description         | Hanging Light  |
| Manufacturer             | The Kaleido Store  |
| Finish                   | •All metal to be in Bronze/copper finish                             |
| Technical Specifications | •3 nos - 9 watts LED bulbs/equivalent<br>•With provision for dimming |
| Note                     | With adjustable hanging arrangement                                  |
| Quantity                 | 3 nos.   |

