

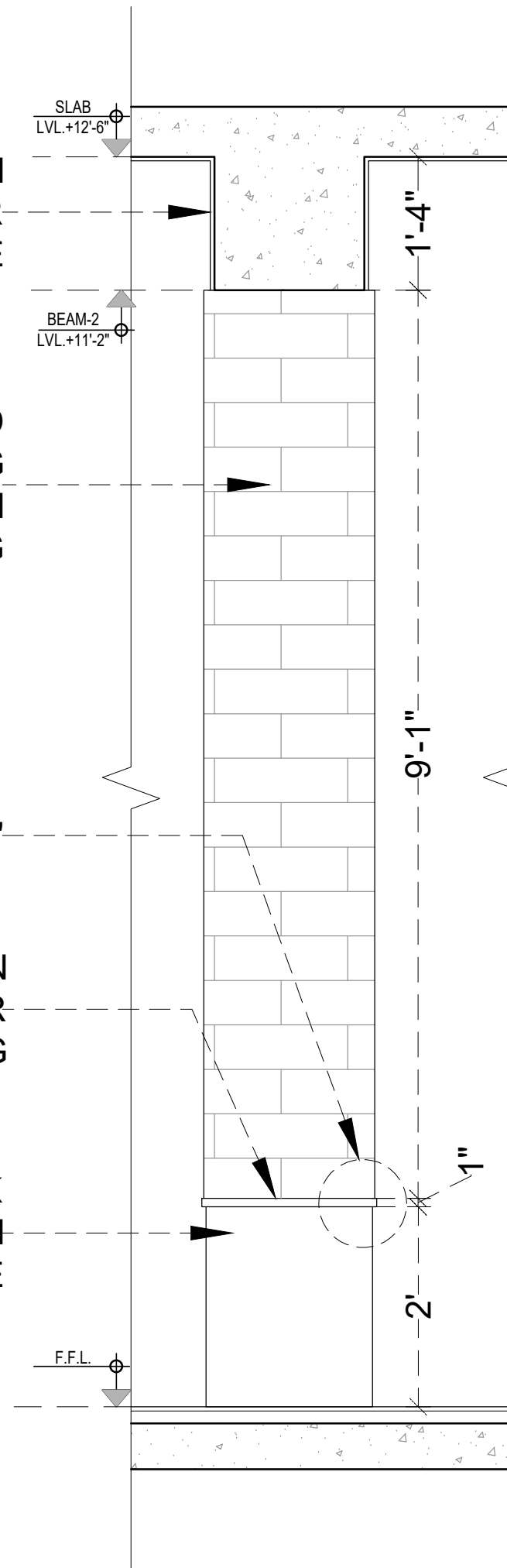
BEAM SOFFIT FINISHED IN
PAINT AS/SCHEDULE OVER
PLASTER LINE

COLUMN TO BE FINISHED
WOODEN FLOORING
MATERIAL OVER 12MM
THK HDHMR PANELING

25MMX25MM THK WOODEN
EADING DEATIL PASTED OVER
12MM THK HDHMR PANELING

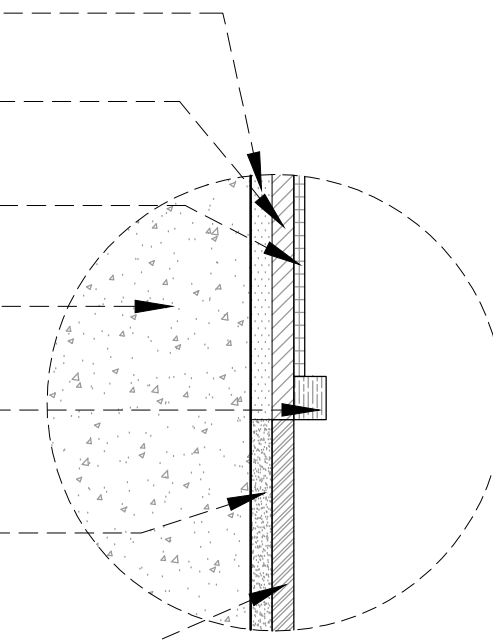
600MM HIGH 12MM THK
TILING ON COLUMN
AS/SCHEDULE

TYPICAL COLUMN DETAIL



PLASTER ON COLUMN
12MM THK HDHMR BOARD
TO BE FIXED ON COLUMN
9MM THK WOODEN FLOORING
MATERIAL TO BE FIXED OVER
12MM THK HDHMR BOARD
R.C.C. COLUMN
25MMX25MM THK WOODEN BEADING
PASTED OVER 12MM THK HDHMR
BOARD AROUND THE COLUMN
12MM THK MORTAR
LAYER ON COLUMN
9MM THK TILE AS/SELECTION
ON COLUMN OVER 12MM THK
LAYER OF MORTAR

DETAIL - 'X'



PROJECT

FOOD COURT

BLOCK

UNA-HIGHWAY

General Notes :

1. All dimensions are in millimeters.
2. Dimensions are to be read and not to be scaled.
3. The contractors must verify all dimensions on site and refer the relevant STRUCTURAL and other MEP drawings before commencing any work or preparing shop drawings, and in case any discrepancy is noticed the same shall be brought to the notice of the architect and shall be clarified before execution of work.
4. Refer this drawing along with the other relevant architectural, structural and MEP services drawings.
5. All Sill & Lintel levels to be considered from FFL.

Rev.	Date	Description	Approved
Revision Index			

CLIENT
TFS (R&R) PVT. LTD.

ARCHITECTS
PLUGD
Ar. Ritika Malik & Ar. Sourabh Khurana
1st Floor, C-78, Sector-88, Noida - 201305

DRAWING TITLE
TYPICAL COLUMN DETAIL

<input checked="" type="checkbox"/> FOR TENDER	DATE	PROJ ARCHITECT
<input type="checkbox"/> FOR INFORMATION	05-01-2024	DRAWN
<input type="checkbox"/> FOR EXECUTION	SCALE	MANSI
<input type="checkbox"/> FOR APPROVAL	NTS	CHECKED

DRAWING NO
PL/UNA/WD/GF/COL.DEL.

REVISION
R0

PLUGD
C-78, Sector 88, Noida-201305

The contents of this drawing constitute the original and unpublished work of PLUGD and no part of the drawing shall be disclosed / modified / used in any manner without their prior consent.