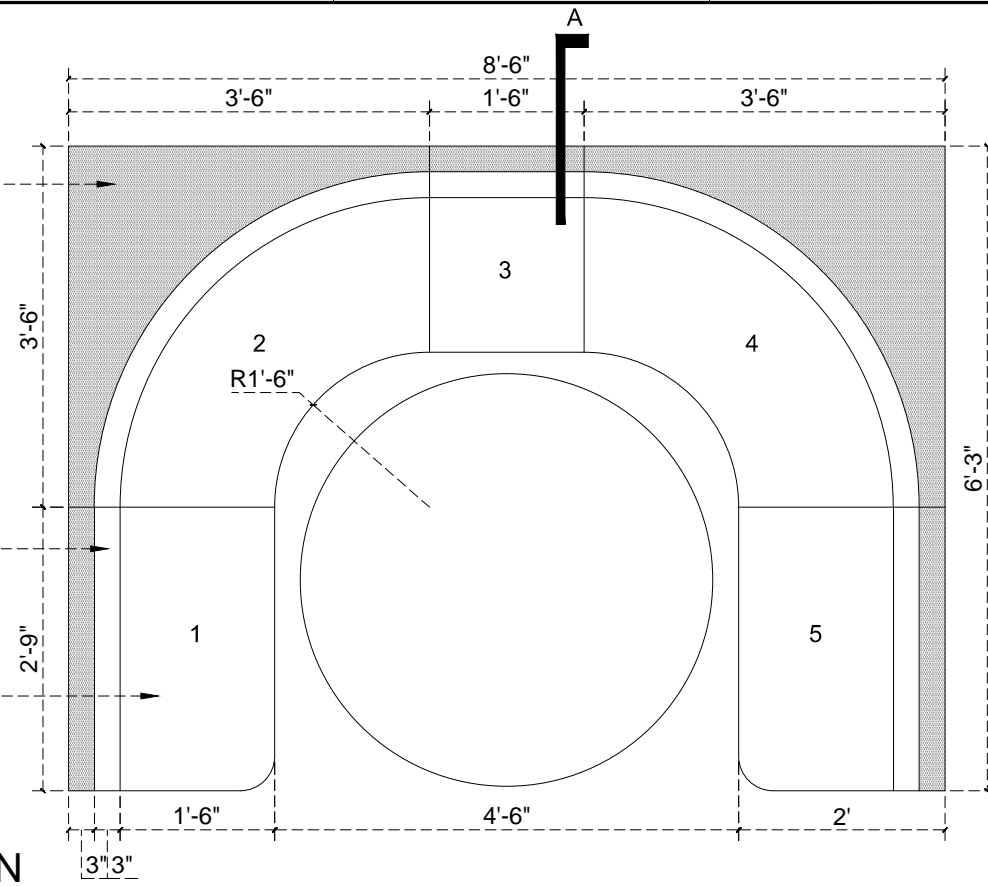


TOP OF THE FIXED SEATING
DONE IN 18MM PLYBOARD
FINISHED WITH LAMINATE
AS/ SCHEDULE

75MM THK BACKREST IN
UPHOLSTERED IN
LEATHERETTE AS/
SCHEDULE

SEATING IN UPHOLSTERED
IN LEATHERETTE AS/
SCHEDULE



PLAN

TOP OF THE FIXED SEATING
DONE IN 18MM PLYBOARD
FINISHED WITH LAMINATE
AS/ SCHEDULE

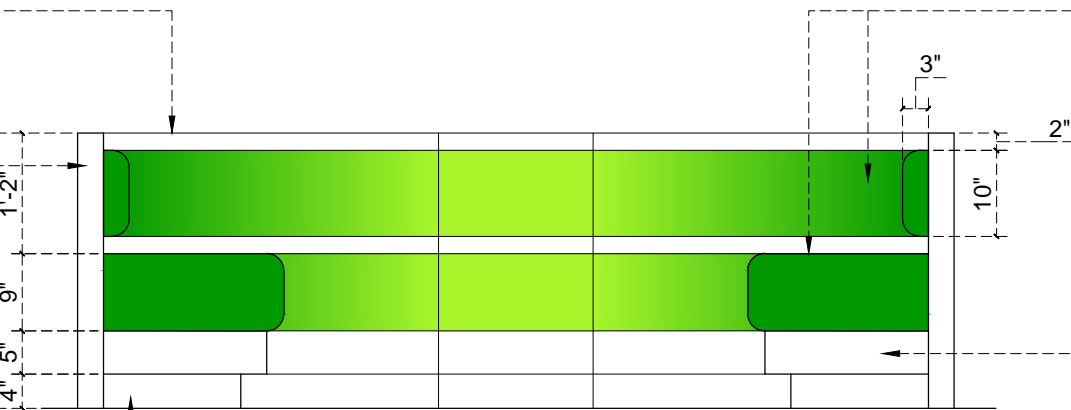
BASE DONE IN 18MM
PLYBOARD FINISHED WITH
LAMINATE AS/ SCHEDULE

100MM HIGH SS SKIRTING

FRONT ELEVATION

SEATING AREA AND
BACK REST ARE
UPHOLSTERED
WITH LEATHERETTE
AS/ SELECTION -
75MM THK
CUSHIONING

FIXED SEATING
DONE IN 18MM
PLYBOARD
FINISHED WITH
LAMINATE AS/
SCHEDULE



SECTION A

SEATING AREA AND
BACK REST ARE
UPHOLSTERED
WITH LEATHERETTE
AS/ SELECTION

SURFACE FINISHED
WITH LAMINATE AS/
SCHEDULE



REFERENCE IMAGE

PROJECT

BAR

BLOCK

GRUB HUB UNA

General Notes :

1. All dimensions are in millimeters, Unless mentioned.
2. Dimensions are to be read and not to be scaled.
3. The contractors must verify all dimensions on site and refer the relevant STRUCTURAL and other MEP drawings before commencing any work or preparing shop drawings, and in case any discrepancy is noticed the same shall be brought to the notice of the architect and shall be clarified before execution of work.
4. Refer this drawing along with the other relevant architectural, structural and MEP services drawings.
5. All Sill & Lintel levels to be considered from FFL

Rev.	Date	Description	Approved
Revision Index			

CLIENT

TFS (R&R) PVT. LTD.

ARCHITECTS



DRAWING TITLE

FIXED SEATING DETAIL

<input type="checkbox"/> FOR TENDER	DATE	PROJ ARCHITECT
<input type="checkbox"/> FOR INFORMATION	14-11-2024	DRAWN
<input checked="" type="checkbox"/> FOR EXECUTION	SCALE	MANIS
<input type="checkbox"/> FOR APPROVAL	NTS	CHECKED

DRAWING NO

PL/UNA/WD/FFB/FS-01

REVISION

R0

PLUGD
C-78, Sector 88, Noida-201305

The contents of this drawing constitute the original and unpublished work of PLUGD and no part of the drawing shall be disclosed / modified / used in any manner without their prior consent.